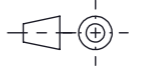
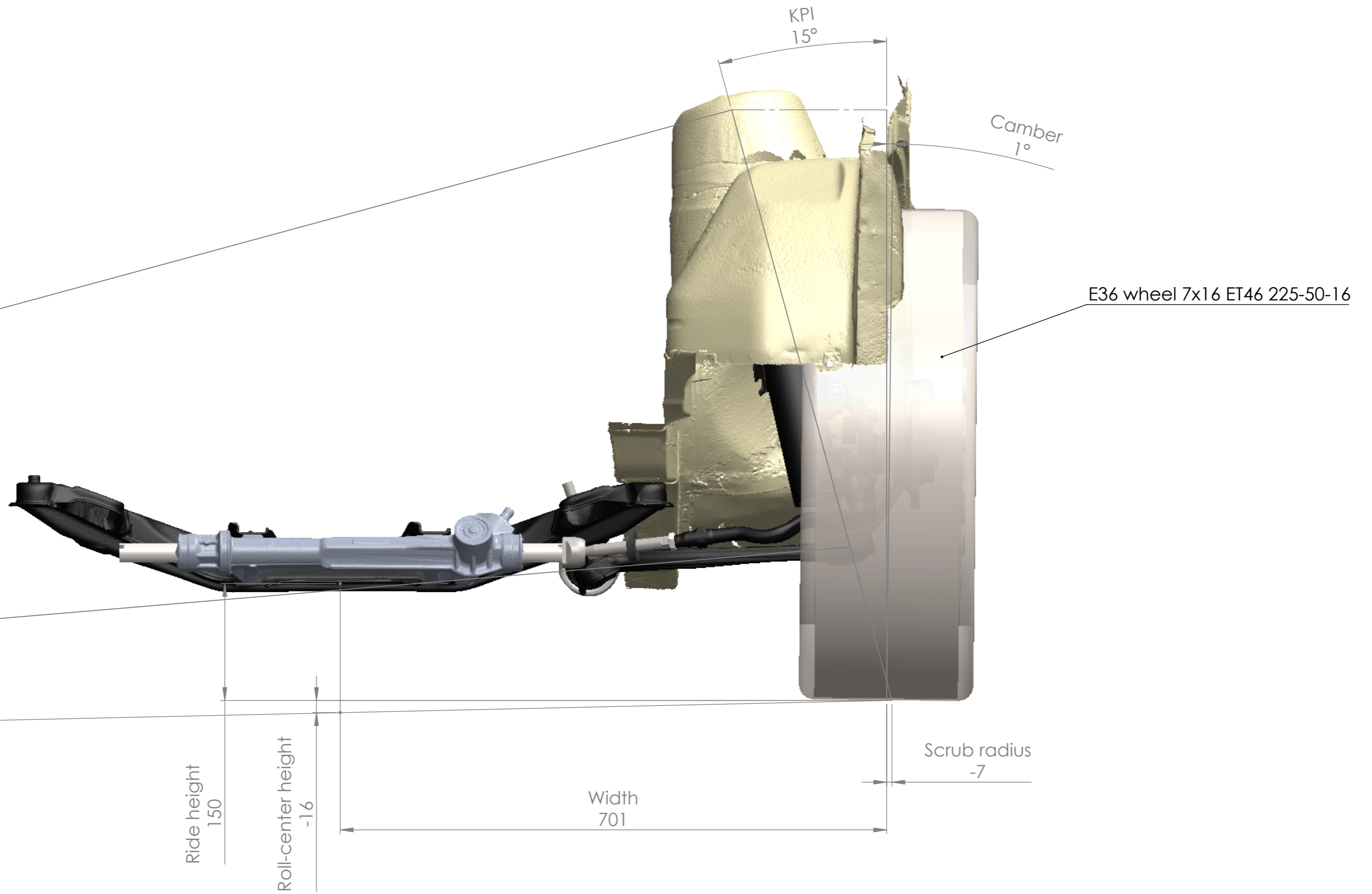

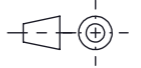
		General tolerance		Description	
		SFS-EN 2768-m		Front suspension geometry	
		Welded structures		Specification	
		EN-ISO 13920		E30 non-M with E36 non-M spindle	
Drawn By	Name	Date		Number	Rev
Approved By	ML	15/06/2023			
Type			Finish	Material	Scale 1:5
				Sheet 1 / 2	A3



		General tolerance SFS-EN 2768-m		Description Front suspension geometry	
		Welded structures EN-ISO 13920		Specification E30 non-M with E36 non-M spindle	
Drawn By	Name ML	Date 15/06/2023		Number	
Approved By				Rev	
Type	Finish		Material	Scale 1:5	Sheet 2 / 2 A3