
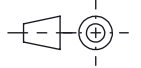
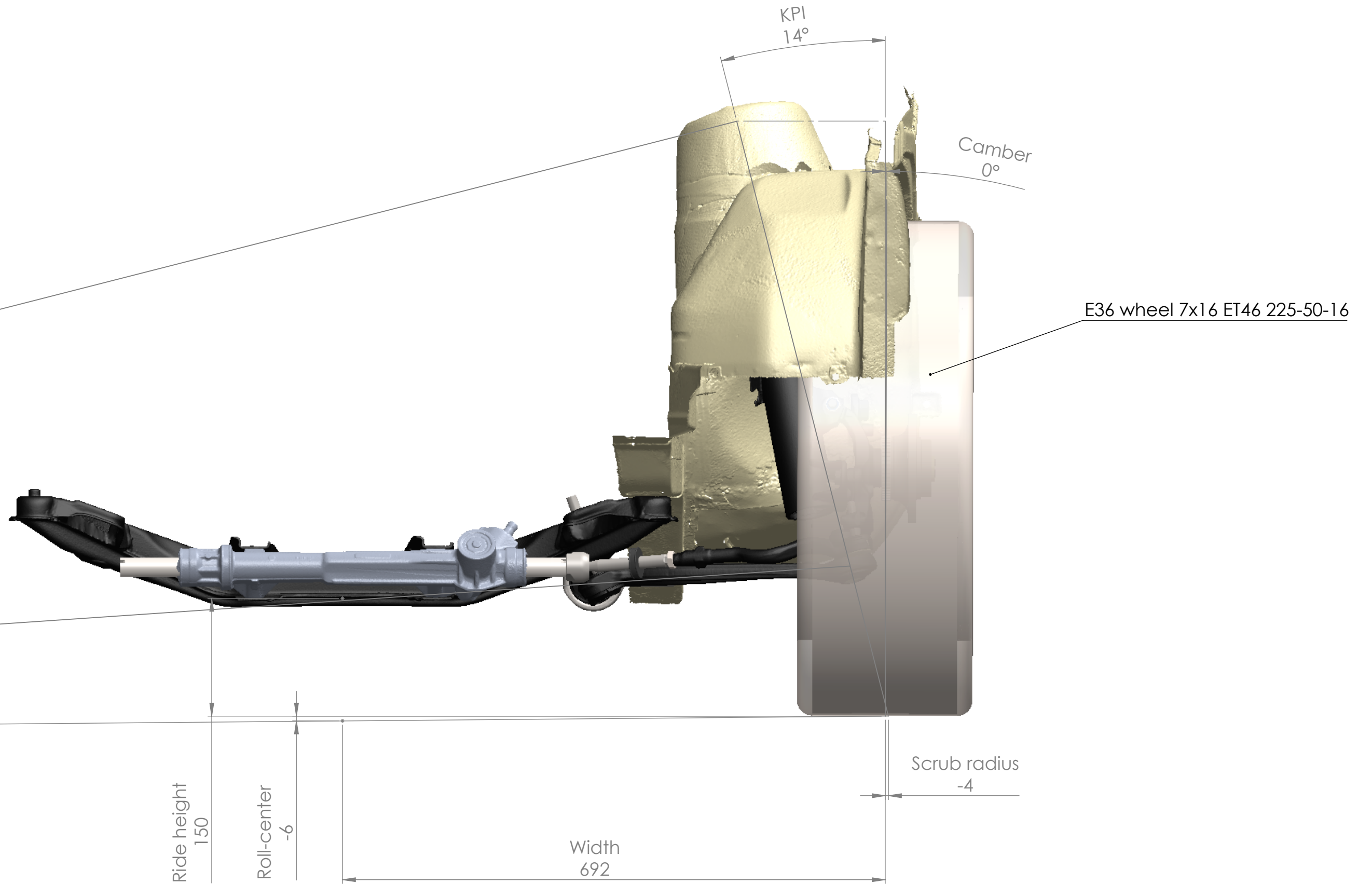

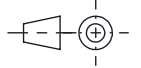


| | | | | | |
|---|---------------|---------------|---|--|----------------|
|  | | Description | | Front suspension geometry | |
| | | Specification | | E30 non-M with E36 M3 3.2 spindle and LCA and eccentric FCAB, reduced caster | |
| General tolerance | SFS-EN 2768-m | | Number | | Rev |
| Welded structures | EN-ISO 13920 | | Material | | Scale 1:5 |
| Drawn By | Name | Date |  | | Sheet 1 / 2 A3 |
| Approved By | ML | 18/06/2023 | | | |
| Type | Finish | | Material | | Scale 1:5 |



| | | | | | |
|---|------------|------------------------------------|---|--|----------------|
|  | | General tolerance SFS-EN 2768-m | | Description Front suspension geometry | |
| | | Welded structures EN-ISO 13920 | | Specification E30 non-M with E36 M3 3.2 spindle and LCA and eccentric FCAB, reduced caster | |
| Drawn By | Name ML | Date 18/06/2023 |  | Number | |
| Approved By | | | | Rev | |
| Type | Finish | | Material | Scale 1:5 | Sheet 2 / 2 A3 |