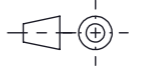
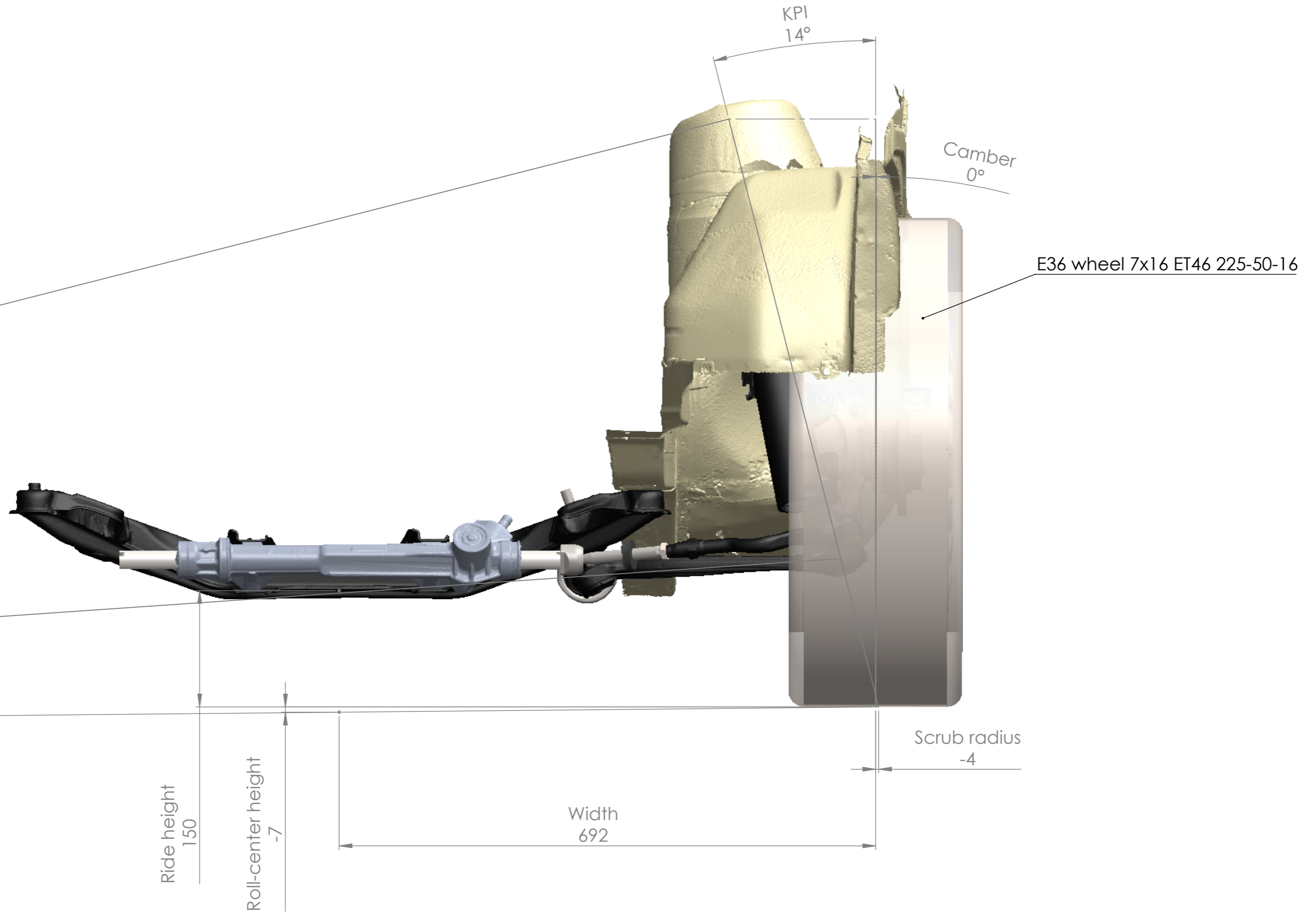

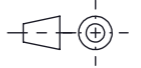
		General tolerance		Description	
		SFS-EN 2768-m		Front suspension geometry	
		Welded structures		Specification	
		EN-ISO 13920		E30 non-M with E36 M3 3.2 spindle and LCA and eccentric FCAB	
Drawn By	Name	Date		Number	Rev
Approved By	ML	16/06/2023			
Type			Finish	Material	Scale 1:5
					Sheet 1 / 2 A3



		General tolerance SFS-EN 2768-m Welded structures EN-ISO 13920		Description Front suspension geometry	
		Drawn By ML		Specification E30 non-M with E36 M3 3.2 spindle and LCA and eccentric FCAB	
Date 16/06/2023				Number	
Approved By				Rev	
Type		Finish		Material	
				Scale 1:5 Sheet 2 / 2 A3	