



URBAN OUTDOOR
— LIGHTING CATALOGUE —
2023



URBAN OUTDOOR

LIGHTING CATALOGUE 2023

SEVEN DECADES OF TRUST, INNOVATION & EXCELLENCE



We started our journey more than 70 years ago, manufacturing and distributing highly efficient, premium quality fans. Since then, we have grown; embracing new frontiers in technology and innovation, to become one of the leading consumer electrical brands in India. Today, we are the largest manufacturer and exporter of fans from India with a dominating global presence in over 35 international markets. In the domestic market, we enjoy a robust pan-India reach, with over 1 lakh retail outlets and a service network covering 300 cities aided by a 24x7 call center.

Not only this, we have also paved the way for pioneering developments in fans, home appliances, lighting and switchgear.

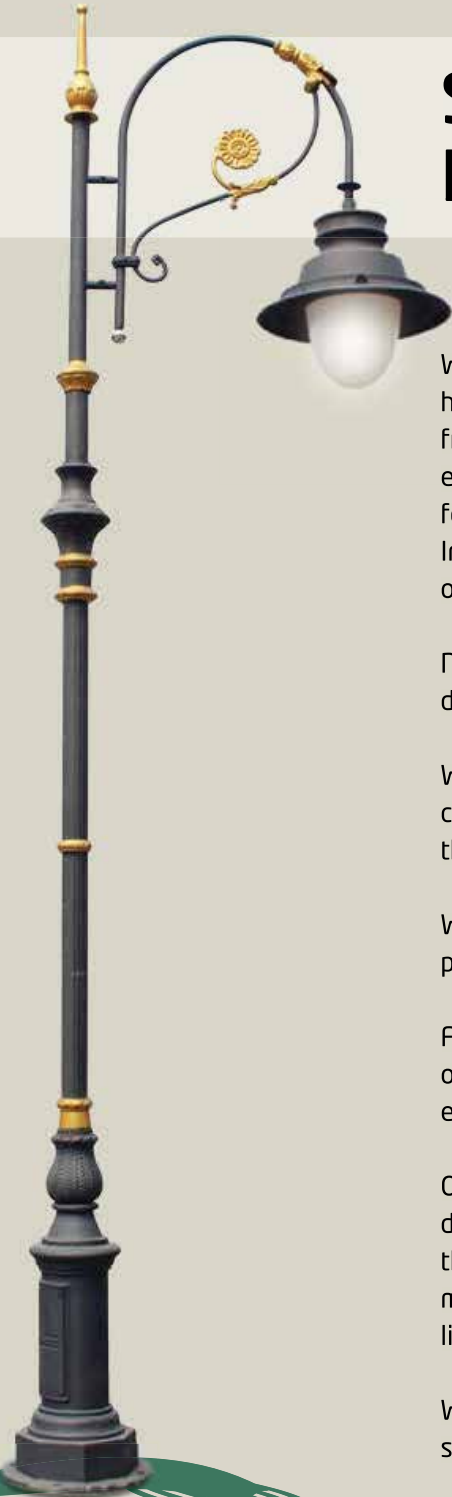
We take pride in our R&D capabilities, spirit of continuous innovation and commitment to manufacturing cutting-edge lifestyle electrical products that meet the needs and expectations of modern consumers.

We have always strived to achieve and exceed industry benchmarks in quality and processes through constant evolution and rejuvenation.

As always, we will continue to partner our customers at every stage of their lives by offering superior lifestyle solutions with technology that makes their world safer, easier and creatively inspiring.

Orient Electric offers a diverse variety of lighting solutions apart from its equally diverse range of fans and home appliances. Advancing with modern requirements, the brand constantly upgrades to newer technologies. These, being low on cost and more efficient, are used for industrial lighting and outdoor, and also for specialised lighting requirements.

With the power of the most futuristic and smartest lighting solutions, it is so easy to switch to smart.



FELICITATIONS THAT SPUR US ON



Orient Electric and its efforts towards excellence have been lauded by several awards and accolades. Here is a look at some of the most prominent ones.

Most Trusted Brand, 2015

Orient Electric earned the status of being one of India's most trusted brands in 2015, as per a Nielsen survey. It was listed in the Consumer Durables category in the Most Trusted Brand Survey report.

Global Quality Award, 2015

Orient Electric bagged the prestigious Global Quality Award for the Quality Energy-Efficient Lighting Products Manufacturer of the Year in 2016. The Global Quality Awards recognise doers and pioneers across the manufacturing sector in India.

ASSOCHAM's Corporate Excellence Award, 2016

Orient Electric received the award for The Comeback Brand in the Consumer Durables category at the ASSOCHAM National Brand Summit & Excellence Awards in 2016. The prestigious awards felicitate Indian brands working in various sectors towards excellence and innovation.

Make in India Award for Excellence, 2015

Orient Electric bagged the prestigious Make in India Award for Excellence in the Consumer Electrical Products category in 2015. The Make in India Awards for Excellence recognise contributions that enable India to become a leading global economy.

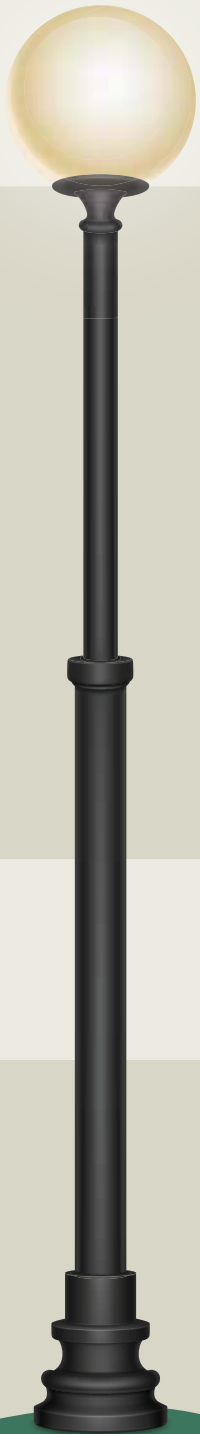
Icon of the Year, 2015

Orient Electric won the Icon of the Year award in the Lighting & Switchgear category in 2015. The Brands Academy Icon of the Year Awards are given to selected individuals, brands and organisations to recognise their outstanding contributions to the economic growth of India.

Superbrand, 2016 & 2017

Orient Electric received Superbrand two times in a row in consumer durable category in 2016 & 2017





URBAN OUTDOOR LIGHTING



The street lighting architecture is an essential part of an environment's aesthetics. Creating an effective streetscape involves selecting products that not only blend with the architecture, but also suit their surroundings. Effective outdoor lighting needs designs that are not just an optimum mix of performance and aesthetics, but also sensitive to the growing environmental and energy demands. As part of such an environment, the luminaires' appeal in the daytime is just as important as their performance at night. Wider roads like highways, main and auxiliary roads require poles and fixtures with considerable mounting heights. On the other hand, historic areas, gardens, city centres and pathways use more pedestrian-scale products to create an inviting environment. Incorporating ornamental luminaires into a streetscape can create an ambiance that pairs well with the appeal of the surrounding structures. Though ornamental poles and luminaires invoke an early era through their appearance, they have evolved with state-of-the-art LED technology. Designer LED outdoor luminaires can provide the required surface illumination using less energy, with a better uniformity. The LED technology is improving rapidly in terms of luminous efficacy, colour quality, optical design, thermal management and cost, and when combined with aesthetic product design, it delivers a safe, sustainable and wholesome lighting experience.

WHAT WE OFFER



Orient Electric's urban outdoor lighting products combine design with performance to give a signature daytime appearance while providing effective nighttime illumination. We offer lighting inspired by various eras as a design element in public spaces, while providing the illumination needed to create a safe and secure environment after dusk. Our luminaire range gives clients the option to replicate almost any historic period to complement the site architecture. Orient Electric offers a wide variety of decorative poles, available in various heights to match the scale of the surroundings and adapt to specific needs. A suitable combination of our luminaires and poles promotes uniformity and visual comfort while minimising light wastage, and comes with ease of installation and maintenance. Orient's LED luminaires, poles and LED bollards are perfectly suited for street lighting, area lighting, pathway lighting, and other architectural applications in all types of settings, turning the outdoor environment from mundane to majestic.

URBAN LIGHTING PRODUCT CATEGORIES



**LED Decorative
Luminaires**

1-64



Poles

65-106



Full Casting Poles



Casting Combo Poles



Non-Casting Contemporary



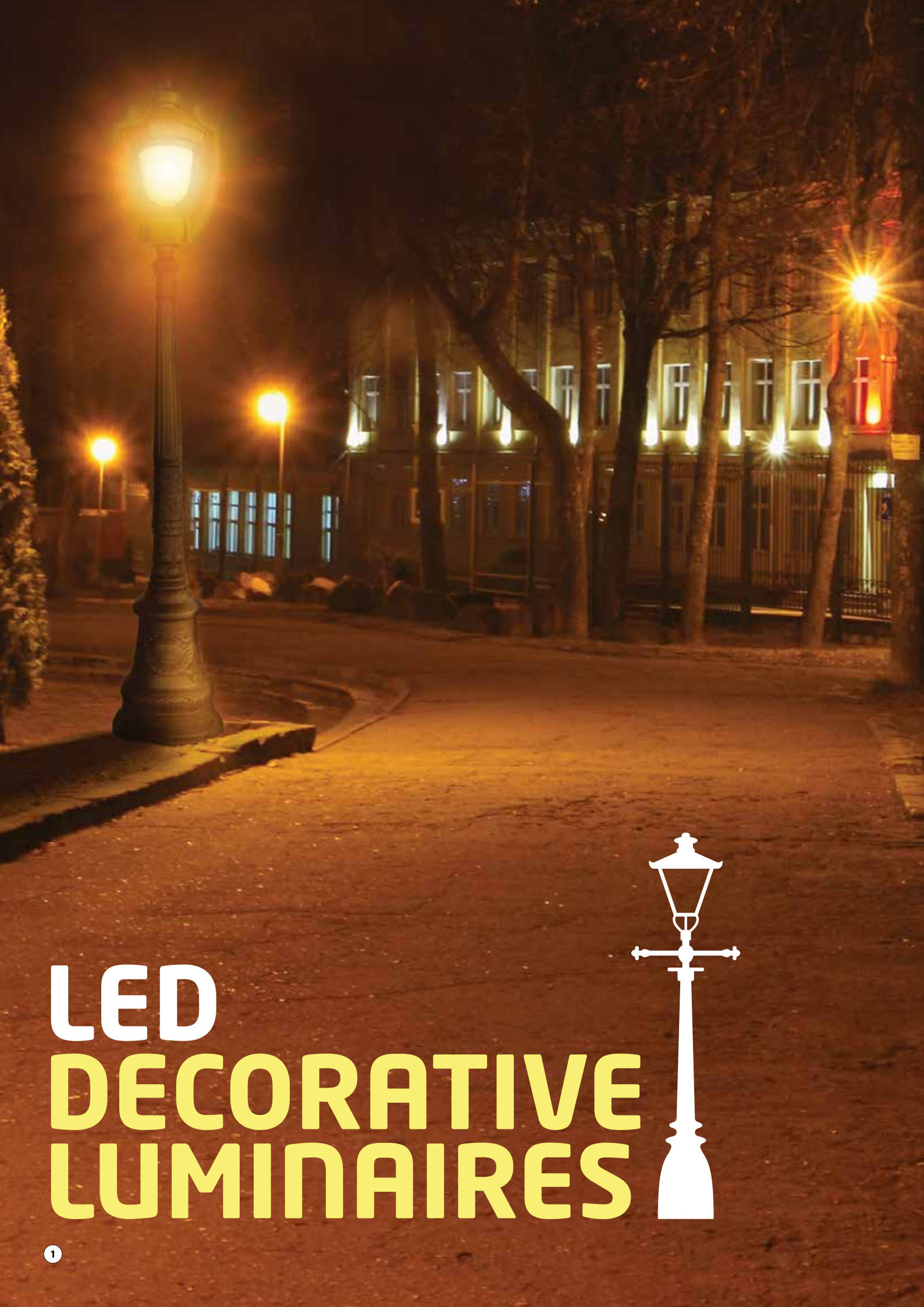
Bracket Arms



Bollards

107-131





LED DECORATIVE LUMINAIRES



ARGO

ARGO

Combination of pendant appeal and post top pole mounting LED luminaire that has nostalgic looks of yesterday.



ARGO



LUMINAIRE CHARACTERISTICS

Optical Compartment Tightness Level	IP65
Ambient Temperature range	- 10°C to +40°C
Nominal Input Voltage / Frequency	240V / 50Hz
Electrical Class	I
Power Consumption (Wattage) range	40W / 50W / 75W / 100W
Luminaire efficacy (lumen/watt)	>=100 Lumen/Watt
Housing Color	Graphite Grey (other RAL colours available on request)

LED SOURCE CHARACTERISTICS

Correlated Colour Temperature (CCT) Available	3000K/4000K/ 5700K (Tolerance as per ANSI limit)
Colour Rendering Index (CRI)	>70

POWER SUPPLY

Input Voltage	AC 100-270V
Surge Protection	4KV
Power Factor	>0.9
Safety/Protection	As per applicable IS
THD	<10%
External SPD	10KV

FEATURES

- The Luminaire gives ornamental look for urban landscapes.
- It consists of die cast aluminium housing and effective thermal management with aluminium heat sink on which LED system is mounted
- The luminaire emits a pleasant, glare Controlled light with its UV stabilised optical grade Poly Carbonate diffuser
- Power LEDs with efficiently designed optics to provide required light distribution

APPLICATIONS

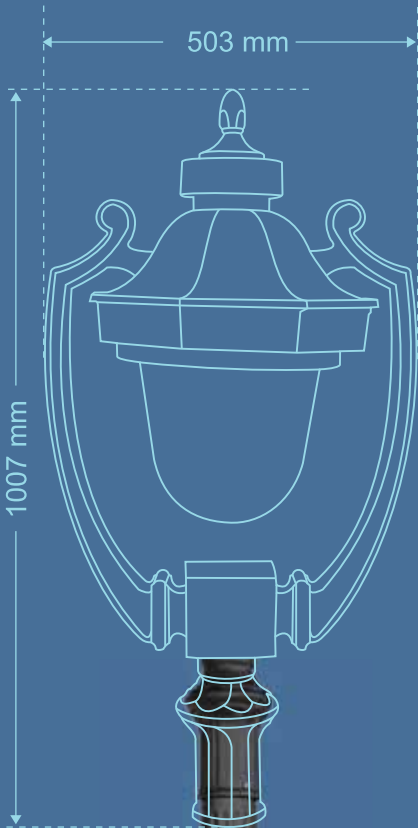
- Road Lighting
- Area Lighting
- Parks and Garden lighting
- Architectural spaces

OPTIONAL FEATURES

- Road Lighting- IOT/dimming through remote management system to save power
- Any RAL colour on request

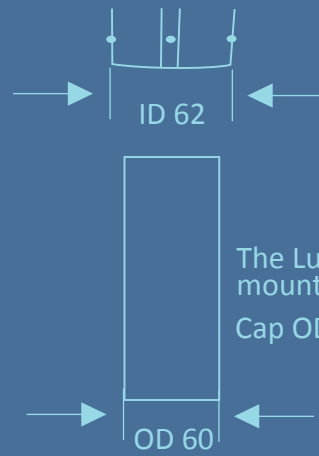
ARGO

DIMENSIONS



All dimensions are in mm

MOUNTING



The Luminaire is mounted on pole pipe Cap OD 60mm

ORDERING DATA

Product Code	Product Description	Wattage (W)	Standard CCT (K)	Mounting height (M)
LF-LPTD-ARG-40C	ARGO LUMINAIRE PTDA 40W 5700K	40	5700K (+/-500K)	5m-7m
LF-LPTD-ARG-50C	ARGO LUMINAIRE PTDA 50W 5700K	50	5700K (+/-500K)	5m-7m
LF-LPTD-ARG-75C	ARGO LUMINAIRE PTDA 75W 5700K	75	5700K (+/-500K)	6m-8m
LF-LPTD-ARG-100C	ARGO LUMINAIRE PTDA 100W 5700K	100	5700K (+/-500K)	6m-8m
LF-LPTS-ARG-40C	ARGO LUMINAIRE PTSA 40W 5700K	40	5700K (+/-500K)	5m-7m
LF-LPTS-ARG-50C	ARGO LUMINAIRE PTSA 50W 5700K	50	5700K (+/-500K)	5m-7m
LF-LPTS-ARG-75C	ARGO LUMINAIRE PTSA 75W 5700K	75	5700K (+/-500K)	6m-8m
LF-LPTS-ARG-100C	ARGO LUMINAIRE PTSA 100W 5700K	100	5700K (+/-500K)	6m-8m

CANOPUS



CANOPUS

Victorian era Luminaire that dwells so well with vintage designer poles or wall brackets adding gothic cultural appeal to the street.

CANOPUS



LUMINAIRE CHARACTERISTICS

Optical Compartment Tightness Level	IP65
Ambient Temperature range	- 10°C to +40°C
Nominal Input Voltage / Frequency	240V / 50Hz
Electrical Class	I
Power Consumption (Wattage) range	36W-90W
Luminaire efficacy (lumen/watt)	>=100 Lumen/Watt
Housing Color	Graphite Grey (other RAL colours available on request)

LED SOURCE CHARACTERISTICS

Correlated Colour Temperature (CCT) Available	3000K/4000K/ 5700K (Tolerance as per ANSI limit)
Colour Rendering Index (CRI)	>70

POWER SUPPLY

Input Voltage	150-270V
Surge Protection	4KV
Power Factor	>0.9
Safety/Protection	As per applicable IS
THD	<15%
External SPD	10KV

FEATURES

- The Luminaire gives ornamental look for urban landscapes
- It consists of Cast aluminium housing with optical grade clear/Frosted PMMA diffuser
- The Luminaire emits a pleasant, glare controlled light
- High Power discreet LEDs with efficiently designed optics to provide required light distribution

APPLICATIONS

- Pathway Lighting
- Area Lighting
- Parks and Garden lighting
- Architectural spaces

OPTIONAL FEATURES

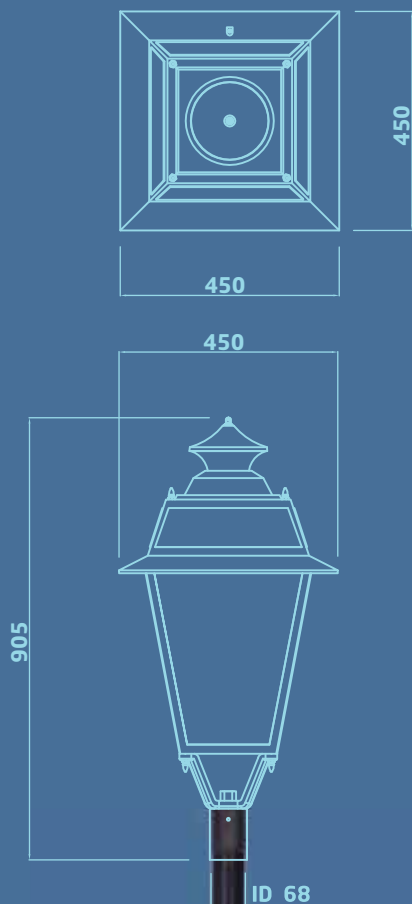
- Smart Control- IOT/dimming through remote
- Any RAL colour on request
- Drop down mounting version also available

Product characteristics and data are subject to change due to continuous improvement and modifications in the product.

CANOPUS

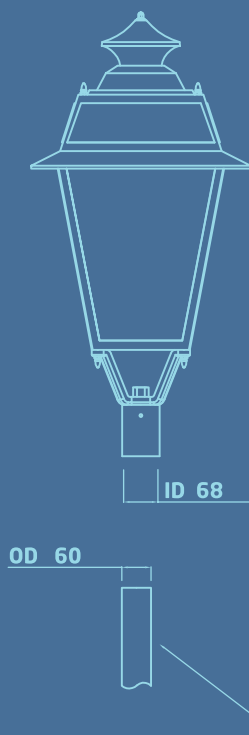


DIMENSIONS

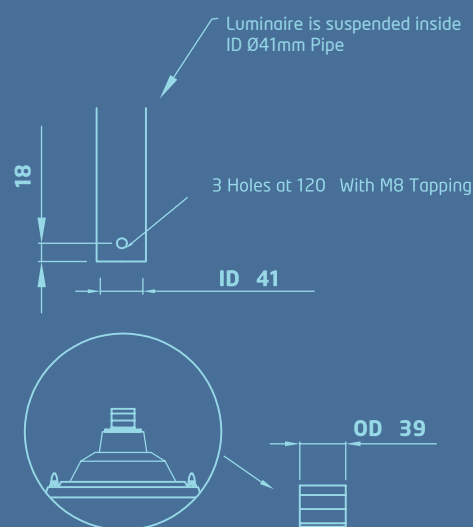


MOUNTING

Post Top Mounting



Drop Down Mounting



All dimensions are in mm

ORDERING DATA

Product Code	Product Description	Wattage (W)	Standard CCT (K)	Mounting height (M)
LF-LPT-CAN-36C	CANOPUS LUMINAIRE PT 36W 5700K	36	5700K (+/-500K)	3m-5m
LF-LPT-CAN-45C	CANOPUS LUMINAIRE PT 45W 5700K	45	5700K (+/-500K)	3m-5m
LF-LPT-CAN-60C	CANOPUS LUMINAIRE PT 60W 5700K	60	5700K (+/-500K)	5m-7m
LF-LPT-CAN-72C	CANOPUS LUMINAIRE PT 72W 5700K	72	5700K (+/-500K)	5m-7m
LF-LPT-CAN-90C	CANOPUS LUMINAIRE PT 90W 5700K	90	5700K (+/-500K)	7m-9m
LF-LDD-CAN-36C	CANOPUS LUMINAIRE DD 36W 5700K	36	5700K (+/-500K)	3m-5m
LF-LDD-CAN-45C	CANOPUS LUMINAIRE DD 45W 5700K	45	5700K (+/-500K)	3m-5m
LF-LDD-CAN-60C	CANOPUS LUMINAIRE DD 60W 5700K	60	5700K (+/-500K)	5m-7m
LF-LDD-CAN-72C	CANOPUS LUMINAIRE DD 72W 5700K	72	5700K (+/-500K)	5m-7m
LF-LDD-CAN-90C	CANOPUS LUMINAIRE DD 90W 5700K	90	5700K (+/-500K)	7m-9m

LEOR

LEOR

With its classical exterior, LEOR imbibes energy efficient LED system providing picturesque view of landscapes.



LEOR

LUMINAIRE CHARACTERISTICS

Optical Compartment Tightness Level	IP65
Ambient Temperature range	- 10°C to +40°C
Nominal Input Voltage / Frequency	240V / 50Hz
Electrical Class	I
Power Consumption (Wattage) range	25W-45W
Luminaire efficacy (lumen/watt)	>=100 Lumen/Watt
Housing Color	Graphite Grey (other RAL colours available on request)

LED SOURCE CHARACTERISTICS

Correlated Colour Temperature (CCT) Available	3000K/4000K/ 5700K (Tolerance as per ANSI limit)
Colour Rendering Index (CRI)	>70

POWER SUPPLY

Input Voltage	AC 100-270V
Surge Protection	4KV
Power Factor	>0.9
Safety/Protection	As per applicable IS
THD	<10%
External SPD	10KV

FEATURES

- The Luminaire gives antique look for urban landscapes
- It consists of cast aluminium designer housing with heat sink for effective heat management
- The luminaire emits a pleasant, glare controlled light with its UV stabilized clear/opal optical grade PMMA/Polycarbonate diffuser
- Power LEDs with efficiently designed optics to provide required light distribution

APPLICATIONS

- Road/pathway Lighting
- Area Lighting
- Parks and Garden lighting
- Architectural spaces
- Residential/commercial streets

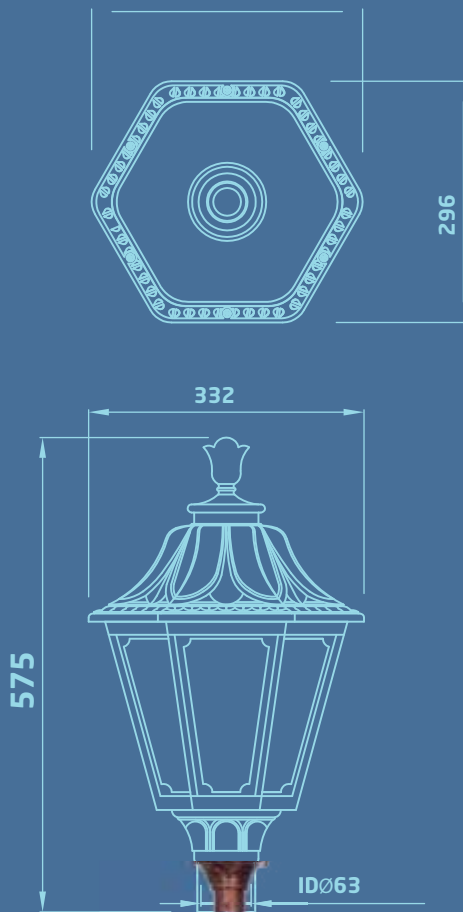
OPTIONAL FEATURES

- Road Lighting- IOT/dimming through remote management system to save power
- Any RAL colour on request
- Drop down mounting version also available

Product characteristics and data are subject to change due to continuous improvement and modifications in the product.

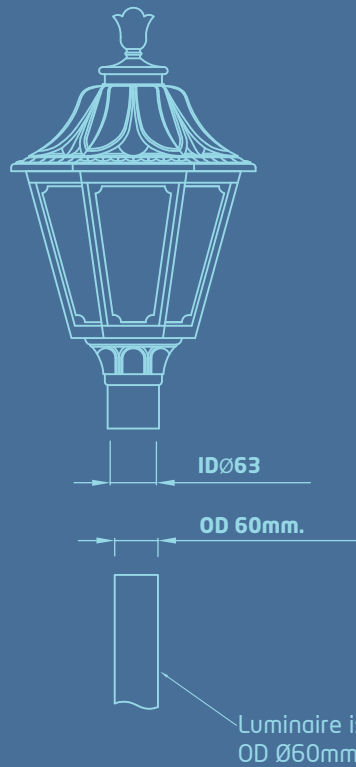
LEOR

DIMENSIONS

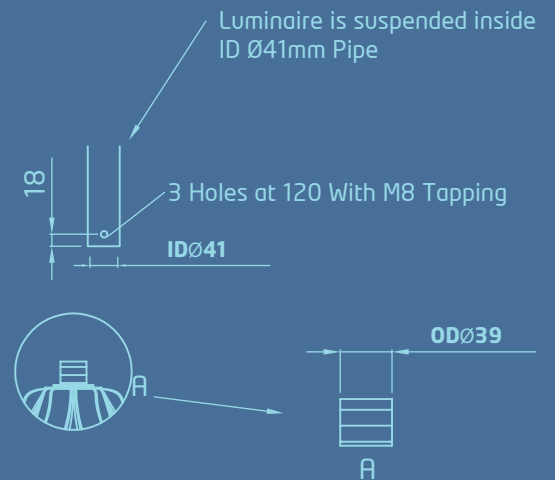


MOUNTING

Post Top Mounting



Drop Down Mounting



All dimensions are in mm

ORDERING DATA

Product Code	Product Description	Wattage (W)	Standard CCT (K)	Mounting height (M)
LF-LPT-LEO-25W	LEOR LUMINAIRE PT 25W 3000K	25	3000K (+/-500K)	3m-5m
LF-LPT-LEO-36W	LEOR LUMINAIRE PT 36W 3000K	36	3000K (+/-500K)	3m-5m
LF-LPT-LEO-45W	LEOR LUMINAIRE PT 45W 3000K	45	3000K (+/-500K)	3m-5m
LF-LDD-LEO-25W	LEOR LUMINAIRE DD 25W 3000K	25	3000K (+/-500K)	3m-5m
LF-LDD-LEO-36W	LEOR LUMINAIRE DD 36W 3000K	36	3000K (+/-500K)	3m-5m
LF-LDD-LEO-45W	LEOR LUMINAIRE DD 45W 3000K	45	3000K (+/-500K)	3m-5m

POLLUX



POLLUX

Traditional design with classy spherical diffuser of drop down light fixture gives soothing illumination for outdoor lighting applications.

POLLUX



LUMINAIRE CHARACTERISTICS

Optical Compartment Tightness Level	IP65
Ambient Temperature range	- 10°C to +40°C
Nominal Input Voltage / Frequency	240V / 50Hz
Electrical Class	I
Power Consumption (Wattage) range	27W/36W/45W
Luminaire efficacy (lumen/watt)	>=100 Lumen/Watt
Housing Color	Graphite Grey (other RAL colours available on request)

LED SOURCE CHARACTERISTICS

Correlated Colour Temperature (CCT) Available	3000K/4000K/ 5700K (Tolerance as per ANSI limit)
Colour Rendering Index (CRI)	>70

POWER SUPPLY

Input Voltage	100-270V
Surge Protection	4KV
Power Factor	>0.9
Safety/Protection	As per applicable IS
THD	<10%
External SPD	10KV

FEATURES

- The Luminaire gives ornamental look for urban landscapes
- It consists of Die cast aluminium housing specially profiled cooling fins for effective thermal management
- The Luminaire emits a pleasant, glare controlled light with its optical grade Opal Poly Carbonate diffuser
- Mid Power LEDs with efficiently designed optics to provide required light distribution

APPLICATIONS

- Road Lighting
- Area Lighting
- Parks and Garden lighting
- Architectural spaces

OPTIONAL FEATURES

- Smart Control /dimming through remote management system to save power
- Any RAL colour on request

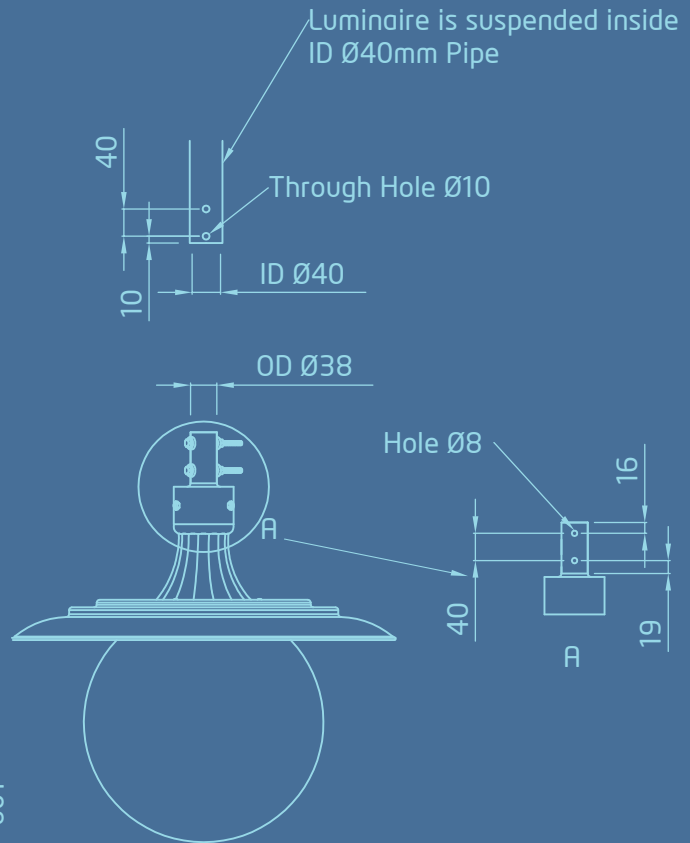
POLLUX

DIMENSIONS



All dimensions are in mm

MOUNTING



ORDERING DATA

Product Code	Product Description	Wattage (W)	Standard CCT (K)	Mounting height (M)
LF-LDD-POL-27C	POLLUX LUMINAIRE DD 27W 5700K	27	5700K (+/-500K)	5m-7m
LF-LDD-POL-36C	POLLUX LUMINAIRE DD 36W 5700K	36	5700K (+/-500K)	5m-7m
LF-LDD-POL-45C	POLLUX LUMINAIRE DD 45W 5700K	45	5700K (+/-500K)	5m-7m

CIRCLET



CIRCLET

Circlet blends classic drop design with skilful optics providing style and elegance for outdoor setting.

CIRCLET



LUMINAIRE CHARACTERISTICS

Optical Compartment Tightness Level	IP65
Ambient Temperature range	- 10°C to +40°C
Nominal Input Voltage / Frequency	240V / 50Hz
Electrical Class	I
Power Consumption (Wattage) range	40W-120W
Luminaire efficacy (lumen/watt)	>=100 Lumen/Watt
Housing Color	Graphite Grey (other RAL colours available on request)

LED SOURCE CHARACTERISTICS

Correlated Colour Temperature (CCT) Available	3000K/4000K/5700K (Tolerance as per ANSI limit)
Colour Rendering Index (CRI)	>70

POWER SUPPLY

Input Voltage	AC 100-270V
Surge Protection	4KV
Power Factor	>0.9
Safety/Protection	As per applicable IS
THD	<10%
External SPD	10KV

FEATURES

- The Luminaire gives ornamental look for urban landscapes
- It consists of Spun aluminium canopy housing with high pressure die cast aluminium base for effective heat management
- The luminaire emits a pleasant, glare controlled light with its UV stabilised clear/opal optical grade PMMA/Poly carbonate diffuser
- Power LEDs with efficiently designed optics to provide required road lighting distribution

APPLICATIONS

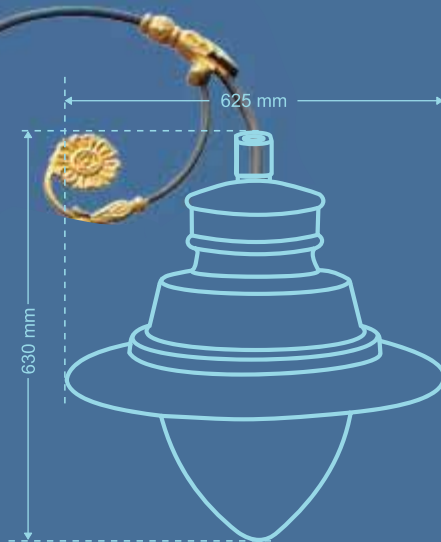
- Pathway Lighting
- Area Lighting
- Parks and Garden lighting
- Architectural spaces

OPTIONAL FEATURES

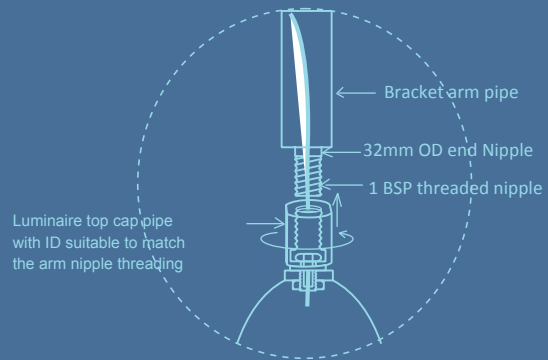
- Smart Control dimming through remote management system to save power
- Any RAL colour on request
- Available in post top mounting option as well

CIRCLET

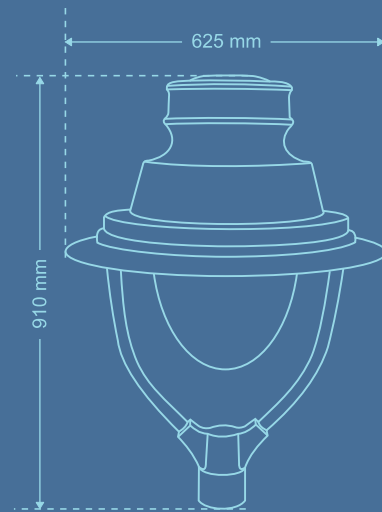
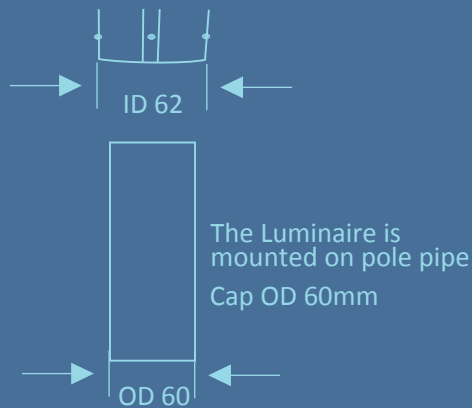
DIMENSIONS



MOUNTING



POST TOP OPTION



All dimensions are in mm

ORDERING DATA

Product Code	Product Description	Wattage (W)	Standard CCT (K)	Mounting height (M)
LF-LDD-CIR-40C	CIRCLET LUMINAIRE DD 40W 5700K	40	5700K (+/-500K)	5m-7m
LF-LDD-CIR-60C	CIRCLET LUMINAIRE DD 60W 5700K	60	5700K (+/-500K)	5m-7m
LF-LDD-CIR-75C	CIRCLET LUMINAIRE DD 75W 5700K	75	5700K (+/-500K)	6m-8m
LF-LDD-CIR-100C	CIRCLET LUMINAIRE DD 100W 5700K	100	5700K (+/-500K)	7m-9m
LF-LDD-CIR-120C	CIRCLET LUMINAIRE DD 120W 5700K	120	5700K (+/-500K)	7m-9m
LF-LPT-CIR-40C	CIRCLET LUMINAIRE PT 40W 5700K	40	5700K (+/-500K)	5m-7m
LF-LPT-CIR-60C	CIRCLET LUMINAIRE PT 60W 5700K	60	5700K (+/-500K)	5m-7m
LF-LPT-CIR-75C	CIRCLET LUMINAIRE PT 75W 5700K	75	5700K (+/-500K)	6m-8m
LF-LPT-CIR-100C	CIRCLET LUMINAIRE PT 100W 5700K	100	5700K (+/-500K)	6m-8m
LF-LPT-CIR-120C	CIRCLET LUMINAIRE PT 120W 5700K	120	5700K (+/-500K)	6m-8m

COSMA

COSMA

Victorian era Luminaire that dwells so well with vintage designer poles or wall brackets adding gothic cultural appeal to the street.



COSMA

LUMINAIRE CHARACTERISTICS

Optical Compartment Tightness Level	IP65
Ambient Temperature range	- 10°C to +40°C
Nominal Input Voltage / Frequency	240V / 50Hz
Electrical Class	I
Power Consumption (Wattage) range	36W-40W
Luminaire efficacy (lumen/watt)	>=100 Lumen/Watt
Housing Color	Graphite Grey (other RAL colours available on request)

LED SOURCE CHARACTERISTICS

Correlated Colour Temperature (CCT) Available	3000K/4000K/ 5700K (Tolerance as per ANSI limit)
Colour Rendering Index (CRI)	>70

POWER SUPPLY

Input Voltage	150-270V
Surge Protection	4KV
Power Factor	>0.9
Safety/Protection	As per applicable IS
THD	<10%
External SPD	10KV

FEATURES

- The Luminaire gives ornamental look for urban landscapes
- It consists of die cast aluminium housing with optical grade clear/frosted acrylic diffuser
- Efficient thermal management with aluminium heat sink on which the LED module is mounted
- The luminaire emits a pleasant, glare Controlled light
- Power discreet LEDs with efficiently designed optics to provide required light distribution

APPLICATIONS

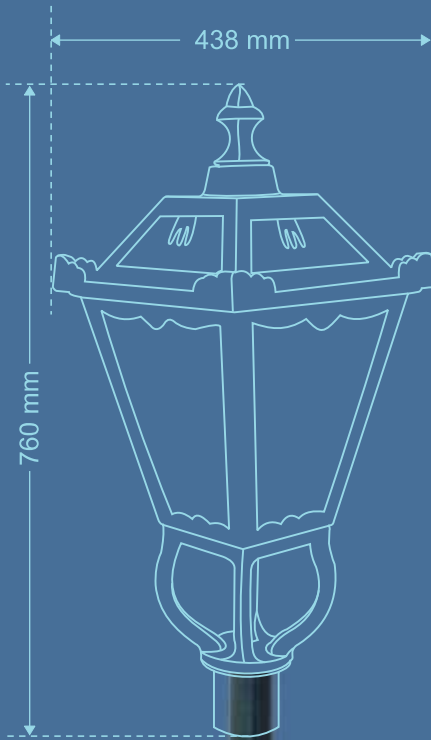
- Pathway Lighting
- Area Lighting
- Parks and Garden lighting
- Architectural spaces

OPTIONAL FEATURES

- Smart Control-IOT/dimming through remote management system to save power
- Any RAL color on request
- Drop down version also available

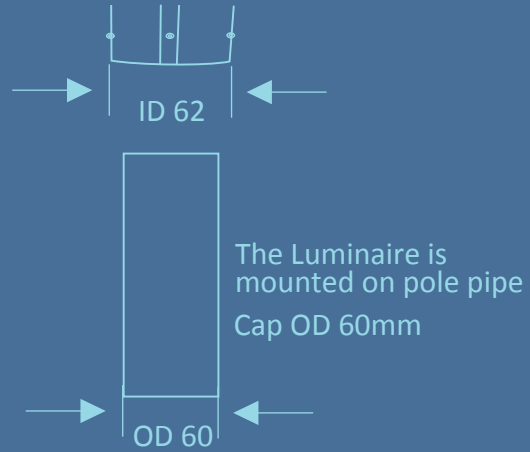
COSMA

DIMENSIONS



All dimensions are in mm

MOUNTING



ORDERING DATA

Product Code	Product Description	Wattage (W)	Standard CCT (K)	Mounting height (M)
LF-LPTF-COS-30C	COSMO LUMINAIRE FRT PT 30W 5700K	30	5700K (+/-500K)	3m-5m
LF-LPTF-COS-40C	COSMO LUMINAIRE FRT PT 40W 5700K	40	5700K (+/-500K)	3m-5m
LF-LPTC-COS-30C	COSMO LUMINAIRE CLR PT 30W 5700K	30	5700K (+/-500K)	3m-5m
LF-LPTC-COS-40C	COSMO LUMINAIRE CLR PT 40W 5700K	40	5700K (+/-500K)	3m-5m
LF-LDDF-COS-30C	COSMO LUMINAIRE FRT DD 30W 5700K	30	5700K (+/-500K)	3m-5m
LF-LDDF-COS-40C	COSMO LUMINAIRE FRT DD 40W 5700K	40	5700K (+/-500K)	3m-5m
LF-LDDC-COS-30C	COSMO LUMINAIRE CLR DD 30W 5700K	30	5700K (+/-500K)	3m-5m
LF-LDDC-COS-40C	COSMO LUMINAIRE CLR DD 40W 5700K	40	5700K (+/-500K)	3m-5m

FELIS

FELIS

Antique die cast LED luminaire FELIS adds charm to any outdoor space or street by perking up ambience of any simple looking place.



FELIS

LUMINAIRE CHARACTERISTICS

Optical Compartment Tightness Level	IP65
Ambient Temperature range	- 10°C to +40°C
Nominal Input Voltage / Frequency	240V / 50Hz
Electrical Class	I
Power Consumption (Wattage) range	40W / 60W / 75W / 100W
Luminaire efficacy (lumen/watt)	>=100 Lumen/Watt
Housing Color	Grey (other RAL colours available on request)

LED SOURCE CHARACTERISTICS

Correlated Colour Temperature (CCT) Available	3000K/4000K/5700K (Tolerance as per ANSI limit)
Colour Rendering Index (CRI)	>70

POWER SUPPLY

Input Voltage	AC 100-270V
Surge Protection	4KV
Power Factor	>0.9
Safety/Protection	As per applicable IS
THD	<10%
External SPD	10KV

FEATURES

- The Luminaire gives ornamental look for urban landscapes
- It consists of cast aluminium housing and effective thermal management with aluminium heat sink on which LED system is mounted
- The luminaire emits a pleasant, glare controlled light with its UV stabilised clear/opal optical grade PMMA/Poly carbonate diffuser.
- Power LEDs with efficiently designed optics to provide required light distribution

APPLICATIONS

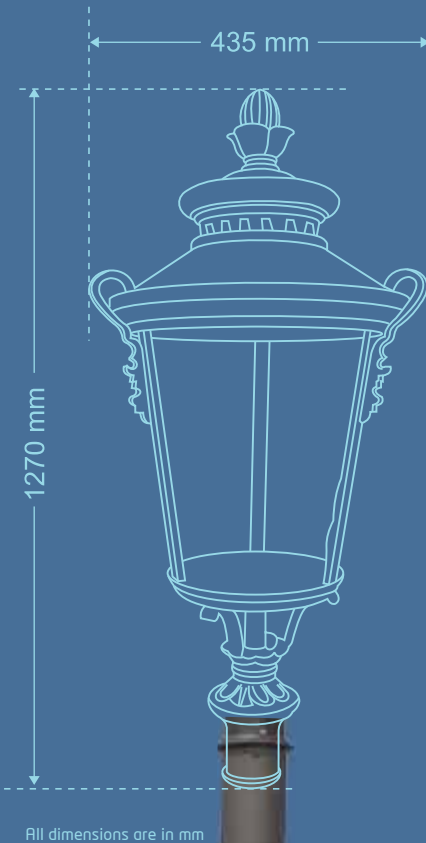
- Road Lighting
- Area Lighting
- Parks and Garden lighting
- Architectural spaces

OPTIONAL FEATURES

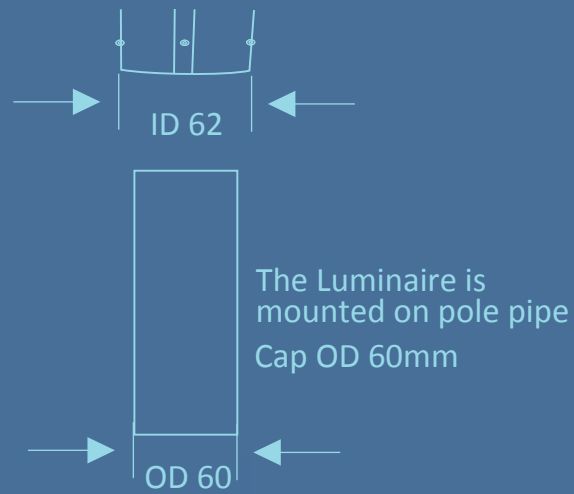
- Road Lighting-IOT/dimming through remote management system to save power
- Any RAL colour on request
- Drop down mounting version also available

FELIS

DIMENSIONS



MOUNTING



ORDERING DATA

Product Code	Product Description	Wattage (W)	Standard CCT (K)	Mounting height (M)
LF-LPT-FEL-40C	FELIS LUMINAIRE PT 40W 5700K	40	5700K (+/-500K)	5m-7m
LF-LPT-FEL-60C	FELIS LUMINAIRE PT 60W 5700K	60	5700K (+/-500K)	5m-7m
LF-LPT-FEL-75C	FELIS LUMINAIRE PT 75W 5700K	75	5700K (+/-500K)	6m-8m
LF-LPT-FEL-100C	FELIS LUMINAIRE PT 100W 5700K	100	5700K (+/-500K)	6m-8m

OBERON



OBERON

This ring shaped urban post top LED fitting boasts pleasing light effect and enhances the sense of wellbeing in urban environments.

OBERON



LUMINAIRE CHARACTERISTICS

Optical Compartment Tightness Level	IP65
Ambient Temperature range	- 10°C to +40°C
Nominal Input Voltage / Frequency	240V / 50Hz
Electrical Class	I
Power Consumption (Wattage) range	40W-60W
Luminaire efficacy (lumen/watt)	>=100 Lumen/Watt
Housing Color	Grey (other RAL colours available on request)

LED SOURCE CHARACTERISTICS

Correlated Colour Temperature (CCT) Available	3000K/4000K/ 5700K (Tolerance as per ANSI limit)
Colour Rendering Index (CRI)	>70

POWER SUPPLY

Input Voltage	100-270V
Surge Protection	4KV
Power Factor	>0.9
Safety/Protection	As per applicable IS
THD	<10%
External SPD	10KV

FEATURES

- The Luminaire gives contemporary look for urban landscapes
- It consists of cast aluminium housing in ring shape with effective heat management
- The Luminaire emits a pleasant, glare controlled light with its UV stabilised optical grade Polycarbonate diffuser
- Power LEDs with efficiently designed optics to provide required road lighting distribution pattern

APPLICATIONS

- Pathway Lighting
- Area Lighting
- Parks and Garden lighting
- Architectural spaces

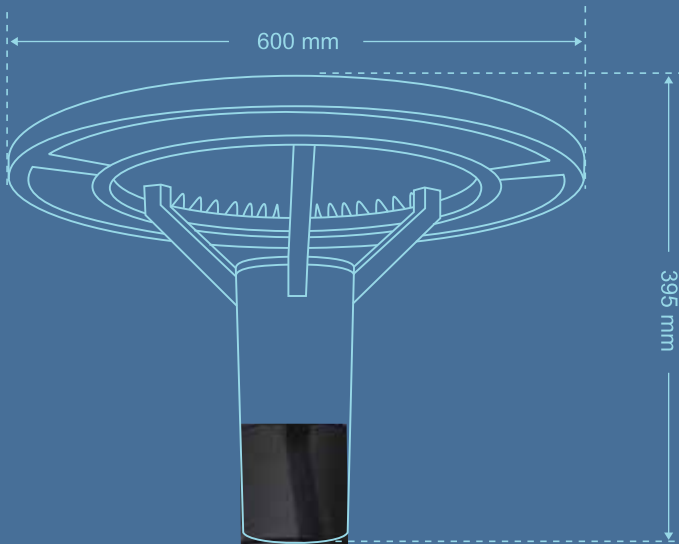
OPTIONAL FEATURES

- Smart Control-IOT/dimming through remote management system to save power
- Any RAL color on request

OBERON

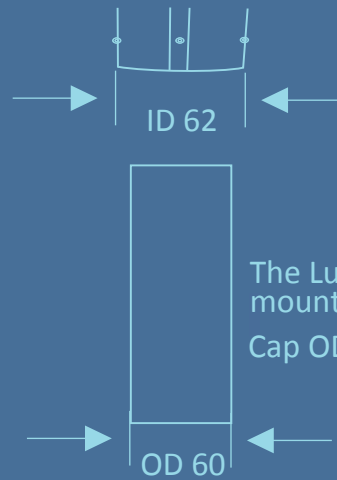


DIMENSIONS



All dimensions are in mm

MOUNTING



The Luminaire is mounted on pole pipe
Cap OD 60mm

ORDERING DATA

Product Code	Product Description	Wattage (W)	Standard CCT (K)	Mounting height (M)
LF-LPT-OBE-40C	OBERON LUMINAIRE PT 40W 5700K	40	5700K (+/-500K)	3m-5m
LF-LPT-OBE-60C	OBERON LUMINAIRE PT 60W 5700K	60	5700K (+/-500K)	3m-5m

PICTOR



PICTOR

Another elegant shaped luminaire in drop down pendant LED fitting category is the right choice for historical landscapes, decorative road lighting.

PICTOR

LUMINAIRE CHARACTERISTICS

Optical Compartment Tightness Level	IP65
Ambient Temperature range	- 10°C to +40°C
Nominal Input Voltage / Frequency	240V / 50Hz
Electrical Class	I
Power Consumption (Wattage) range	40W-120W
Luminaire efficacy (lumen/watt)	>=100 Lumen/Watt
Housing Color	Grey (other RAL colours available on request)

LED SOURCE CHARACTERISTICS

Correlated Colour Temperature (CCT) Available	3000K/4000K/ 5700K (Tolerance as per ANSI limit)
Colour Rendering Index (CRI)	>70

POWER SUPPLY

Input Voltage	AC 100-270V
Surge Protection	4KV
Power Factor	>0.9
Safety/Protection	As per applicable IS
THD	<10%
External SPD	10KV

FEATURES

- The Luminaire gives ornamental look for urban landscapes
- It consists of Spun aluminium canopy housing with cast aluminium base and effective thermal management with heat sink on which LED system is mounted
- The Luminaire emits a pleasant, glare controlled light with its UV stabilised clear optical grade PMMA/Poly carbonate diffuser
- Power LEDs with efficiently designed optics to provide required light distribution

APPLICATIONS

- Road Lighting
- Area Lighting
- Parks and Garden lighting
- Architectural spaces

OPTIONAL FEATURES

- Road Lighting - IOT/dimming through remote management system to save power
- Any RAL colour on request
- Post top version also available

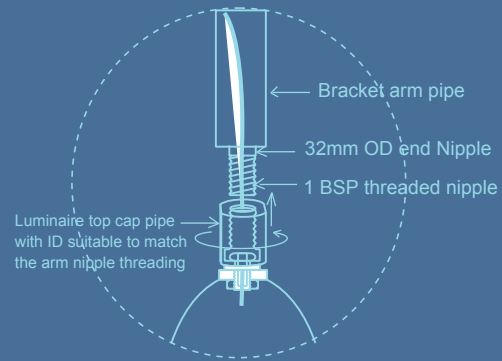
PICTOR

DIMENSIONS

MOUNTING



All dimensions are in mm



ORDERING DATA

Product Code	Product Description	Wattage (W)	Standard CCT (K)	Mounting height (M)
LF-LDD-PIC-40C	PICTOR LUMINAIRE DD 40W 5700K	40	5700K (+/-500K)	5m-7m
LF-LDD-PIC-60C	PICTOR LUMINAIRE DD 60W 5700K	60	5700K (+/-500K)	5m-7m
LF-LDD-PIC-75C	PICTOR LUMINAIRE DD 75W 5700K	75	5700K (+/-500K)	6m-8m
LF-LDD-PIC-100C	PICTOR LUMINAIRE DD 100W 5700K	100	5700K (+/-500K)	7m-9m
LF-LDD-PIC-120C	PICTOR LUMINAIRE DD 120W 5700K	120	5700K (+/-500K)	7m-9m

TIARA



TIARA

This Luminaire depicts ornamental character with its Tiara, the crown. The aptly crafted luminaire blends with embellishing theme of any outdoor space.

TIARA

LUMINAIRE CHARACTERISTICS

Optical Compartment Tightness Level	IP65
Ambient Temperature range	- 10°C to +40°C
Nominal Input Voltage / Frequency	240V / 50Hz
Electrical Class	I
Power Consumption (Wattage) range	40W / 60W / 75W / 100W
Luminaire efficacy (lumen/watt)	>=100 Lumen/Watt
Housing Color	Grey (other RAL colours available on request)

LED SOURCE CHARACTERISTICS

Correlated Colour Temperature (CCT) Available	3000K/4000K/ 5700K (Tolerance as per ANSI limit)
Colour Rendering Index (CRI)	>70

POWER SUPPLY

Input Voltage	AC100-270V
Surge Protection	4KV
Power Factor	>0.9
Safety/Protection	As per applicable IS
THD	<10%
External SPD	10KV

FEATURES

- The Luminaire gives ornamental look for urban landscapes
- It consists of Spun aluminium canopy with die cast aluminium base housing & heat sink for effective heat management
- The Luminaire emits a pleasant, glare controlled light with its UV stabilised clear/opal optical grade Polycarbonate diffuser
- High Power LEDs with efficiently designed optics to provide required road lighting distribution pattern

APPLICATIONS

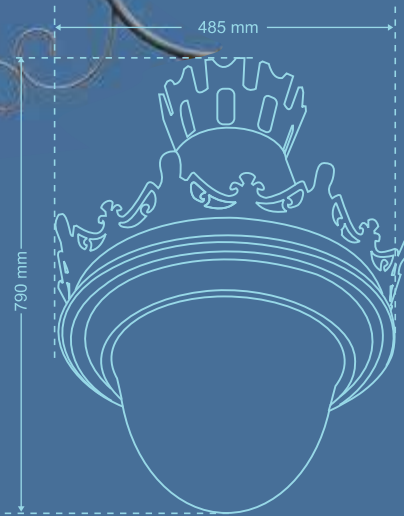
- Road Lighting
- Area Lighting
- Parks and Garden lighting
- Architectural spaces

OPTIONAL FEATURES

- Smart Control/dimming through remote management system to save power
- Any RAL colour on request

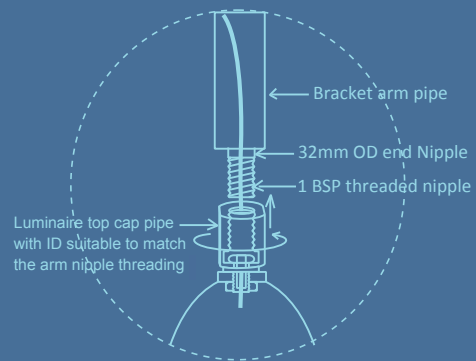
TIARA

DIMENSIONS



All dimensions are in mm

MOUNTING



ORDERING DATA

Product Code	Product Description	Wattage (W)	Standard CCT (K)	Mounting height (M)
LF-LDD-TIA-40C	TIARA LUMINAIRE DD 40W 5700K	40	5700K (+/-500K)	5m-7m
LF-LDD-TIA-60C	TIARA LUMINAIRE DD 60W 5700K	60	5700K (+/-500K)	5m-7m
LF-LDD-TIA-75C	TIARA LUMINAIRE DD 75W 5700K	75	5700K (+/-500K)	6m-8m
LF-LDD-TIA-100C	TIARA LUMINAIRE DD 100W 5700K	100	5700K (+/-500K)	7m-9m

TOLEMY



TOLEMY

The Luminaire is characterised by aesthetic coherence and lighting magnificence suitable for medium height column lighting.

TOLEMY



LUMINAIRE CHARACTERISTICS

Optical Compartment Tightness Level	IP65
Ambient Temperature range	- 10°C to +40°C
Nominal Input Voltage / Frequency	240V / 50Hz
Electrical Class	I
Power Consumption (Wattage) range	30W / 50W / 75W
Luminaire efficacy (lumen/watt)	>=100 Lumen/Watt
Housing Color	Grey (other RAL colours available on request)

LED SOURCE CHARACTERISTICS

Correlated Colour Temperature (CCT) Available	3000K/4000K/ 5700K (Tolerance as per ANSI limit)
Colour Rendering Index (CRI)	>70

POWER SUPPLY

Input Voltage	150-270V
Surge Protection	4KV
Power Factor	>0.9
Safety/Protection	As per applicable IS
THD	<10%
External SPD	10KV

FEATURES

- The Luminaire gives ornamental look for urban landscapes
- It is made of spun aluminium canopy and die-cast aluminium housing and has effective thermal management with heat sink on which LED system is mounted
- The Luminaire emits a pleasant, glare controlled light with its UV stabilised clear/opal optical grade Polycarbonate diffuser
- Power LEDs with efficiently designed optics to provide required light distribution

APPLICATIONS

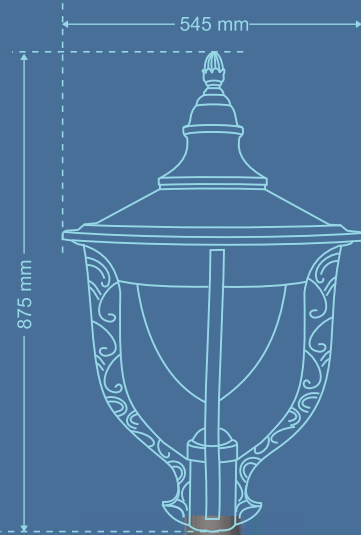
- Road Lighting
- Area Lighting
- Parks and Garden lighting
- Architectural spaces

OPTIONAL FEATURES

- Smart Control-IOT/dimming through remote management system to save power
- Any RAL colour on request

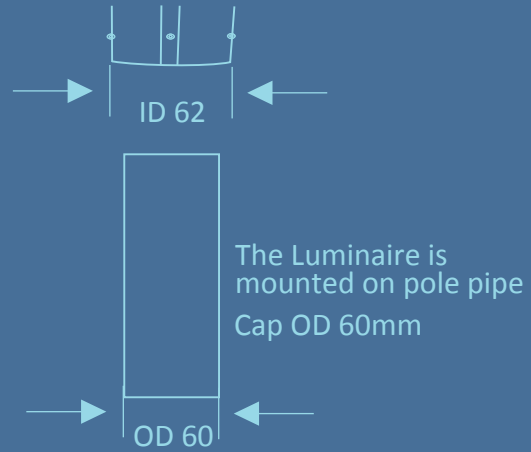
TOLEMY

DIMENSIONS



All dimensions are in mm

MOUNTING



ORDERING DATA

Product Code	Product Description	Wattage (W)	Standard CCT (K)	Mounting height (M)
LF-LPT-TOL-40C	TOLEMY LUMINAIRE PT 40W 5700K	40	5700K (+/-500K)	3m-5m
LF-LPT-TOL-60C	TOLEMY LUMINAIRE PT 60W 5700K	60	5700K (+/-500K)	3m-5m
LF-LPT-TOL-75C	TOLEMY LUMINAIRE PT 75W 5700K	75	5700K (+/-500K)	5m-7m

ZIBAL



ZIBAL

Simple and comfortable suspended LED Luminaire that blends well with any designer bracket for different applications in urban lighting environment.

ZIBAL

LUMINAIRE CHARACTERISTICS

Optical Compartment Tightness Level	IP65
Ambient Temperature range	- 10°C to +40°C
Nominal Input Voltage / Frequency	240V / 50Hz
Electrical Class	I
Power Consumption (Wattage) range	40W /60W/75W/100W
Luminaire efficacy (lumen/watt)	>=100 Lumen/Watt
Housing Color	Grey (other RAL colours available on request)

LED SOURCE CHARACTERISTICS

Correlated Colour Temperature (CCT) Available	3000K/4000K/ 5700K (Tolerance as per ANSI limit)
Colour Rendering Index (CRI)	>70

POWER SUPPLY

Input Voltage	AC 100-270V
Surge Protection	4KV
Power Factor	>0.9
Safety/Protection	As per applicable IS
THD	<10%
External SPD	10KV

FEATURES

- The Luminaire gives ornamental look for urban landscapes
- It consists of die cast aluminium housing and effective thermal management with aluminium heat sink on which LED system is mounted
- The Luminaire emits a pleasant, glare controlled light with its UV stabilised optical grade Polycarbonate diffuser
- Power LEDs with efficiently designed optics to provide required light distribution

APPLICATIONS

- Road Lighting
- Area Lighting
- Parks and Garden lighting
- Architectural spaces

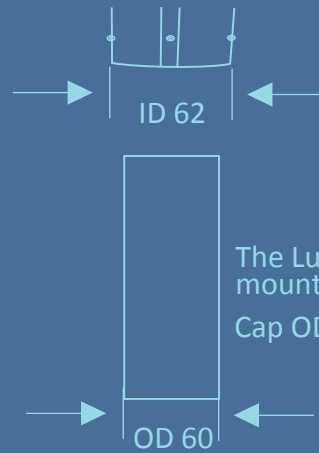
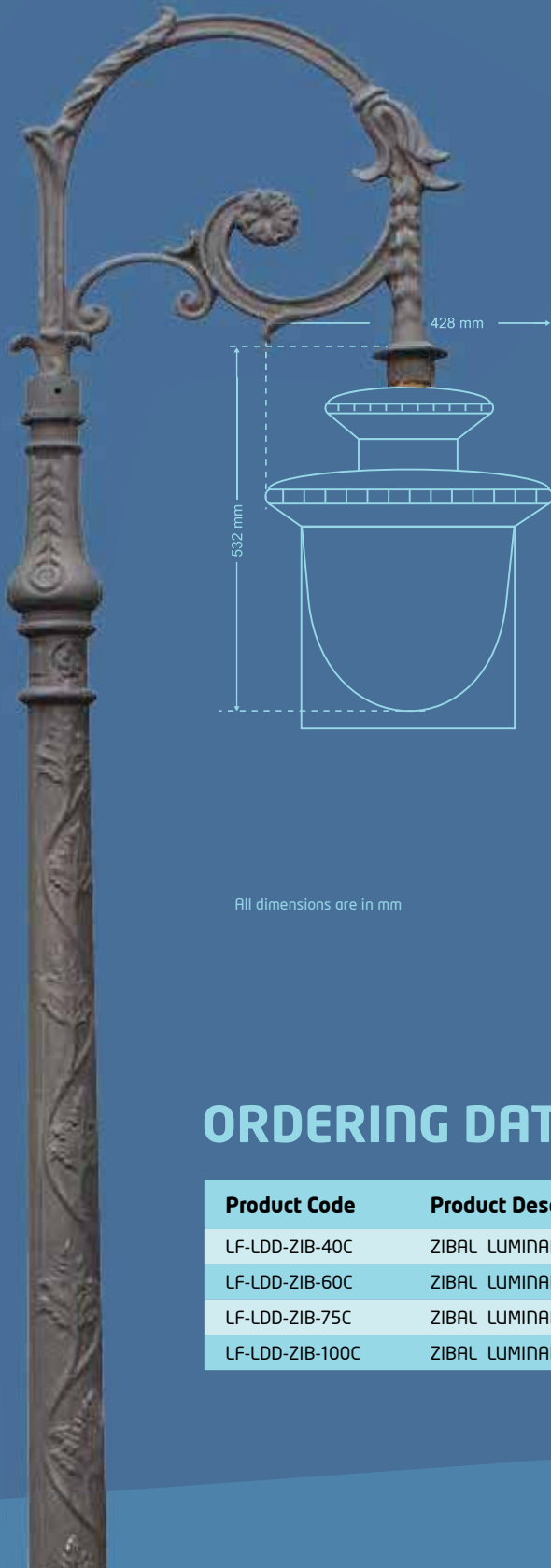
OPTIONAL FEATURES

- Road Lighting-IOT/dimming through remote management system to save power
- Any RAL colour on request

ZIBAL

DIMENSIONS

MOUNTING



The Luminaire is mounted on pole pipe
Cap OD 60mm

All dimensions are in mm

ORDERING DATA

Product Code	Product Description	Wattage (W)	Standard CCT (K)	Mounting height (M)
LF-LDD-ZIB-40C	ZIBAL LUMINAIRE DD 40W 5700K	40	5700K (+/-500K)	5m-7m
LF-LDD-ZIB-60C	ZIBAL LUMINAIRE DD 60W 5700K	60	5700K (+/-500K)	5m-7m
LF-LDD-ZIB-75C	ZIBAL LUMINAIRE DD 75W 5700K	75	5700K (+/-500K)	6m-8m
LF-LDD-ZIB-100C	ZIBAL LUMINAIRE DD 100W 5700K	100	5700K (+/-500K)	6m-8m

MALLOW



MALLOW

An elegant and quality lighting product designed to add high aesthetic value with contemporary as well as vintage appeal.

MALLOW



LUMINAIRE CHARACTERISTICS

Optical Compartment Tightness Level	IP65
Ambient Temperature range	- 10°C to +40°C
Nominal Input Voltage / Frequency	240V / 50Hz
Electrical Class	I
Power Consumption (Wattage) range	36W / 45W / 60W / 72W / 90W / 120W
Luminaire efficacy (lumen/watt)	>=100 Lumen/Watt
Housing Color	Grey (other RAL colours available on request)

LED SOURCE CHARACTERISTICS

Correlated Colour Temperature (CCT) Available	3000K/4000K/ 5700K (Tolerance as per ANSI limit)
Colour Rendering Index (CRI)	>70

POWER SUPPLY

Input Voltage	150-270V
Surge Protection	4KV
Power Factor	>0.9
Safety/Protectiont	As per applicable IS
THD	<10%
External SPD	10KV

FEATURES

- The luminaire gives ornamental look for urban landscapes
- It consists of powder coated spun aluminium canopy housing with high pressure die cast aluminium body for effective heat management
- The luminaire emits a pleasant, glare controlled light with its UV stabilised clear/opal optical grade PMMA diffuser
- High power discreet LEDs with efficiently designed optics to provide required light distribution

APPLICATIONS

- Road Lighting
- Area Lighting
- Parks and Garden lighting
- Architectural spaces

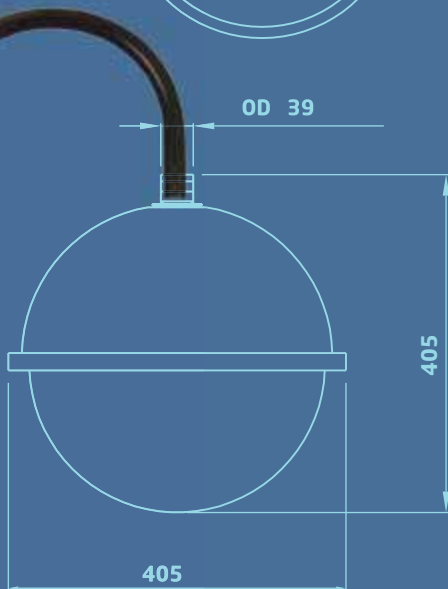
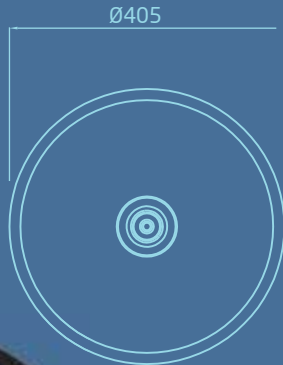
OPTIONAL FEATURES

- Road Lighting-IOT/dimming through remote management system to save power
- Any RAL colour on request

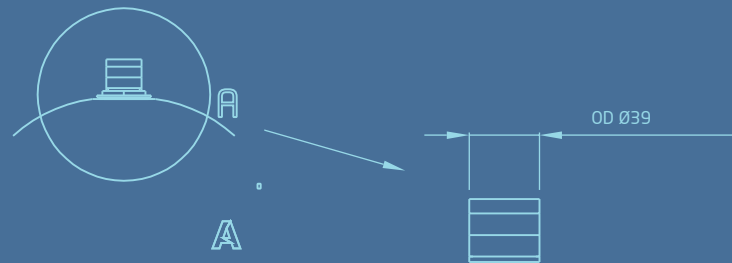
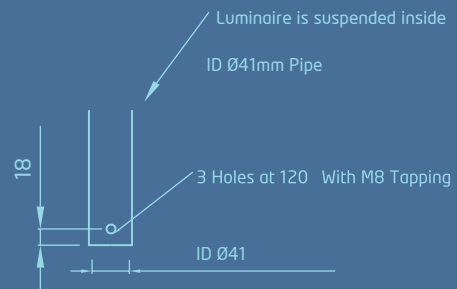
MALLOW



DIMENSIONS



MOUNTING



All dimensions are in mm

ORDERING DATA

Product Code	Product Description	Wattage (W)	Standard CCT (K)	Mounting height (M)
LF-LDD-MAL-36C	MALLOW LUMINAIRE DD 36W 5700K	36	5700K (+/-500K)	5m-7m
LF-LDD-MAL-45C	MALLOW LUMINAIRE DD 45W 5700K	45	5700K (+/-500K)	5m-7m
LF-LDD-MAL-60C	MALLOW LUMINAIRE DD 60W 5700K	60	5700K (+/-500K)	5m-7m
LF-LDD-MAL-72C	MALLOW LUMINAIRE DD 72W 5700K	72	5700K (+/-500K)	7m-9m
LF-LDD-MAL-90C	MALLOW LUMINAIRE DD 90W 5700K	90	5700K (+/-500K)	7m-9m
LF-LDD-MAL-120C	MALLOW LUMINAIRE DD 120W 5700K	120	5700K (+/-500K)	7m-9m

DIAMOND



DIAMOND

An ideal lighting solution for indirect illumination sources. It's highly efficient performance and long life landscape fixture makes it a distinct piece for indirect lighting.

DIAMOND



LUMINAIRE CHARACTERISTICS

Optical Compartment Tightness Level	IP65
Ambient Temperature range	- 10°C to +40°C
Nominal Input Voltage / Frequency	240V / 50Hz
Electrical Class	I
Power Consumption (Wattage) range	40W / 50W
Luminaire efficacy (lumen/watt)	>=100 Lumen/Watt
Housing Color	Grey (other RAL colours available on request)

LED SOURCE CHARACTERISTICS

Correlated Colour Temperature (CCT) Available	3000K/4000K/ 5700K (Tolerance as per ANSI limit)
Colour Rendering Index (CRI)	>70

POWER SUPPLY

Input Voltage	AC 100-270V
Surge Protection	4KV
Power Factor	>0.9
Safety/Protection	As per applicable IS
THD	<10%
External SPD	10KV

FEATURES

- The Luminaire gives ornamental look for urban landscapes
- This is an indirect LED Post Top Luminaire made of aluminum Top & Aluminum base with triple arm duly powder coated/Poly urethane painted and effective thermal management with aluminium heat sink on which LED system is mounted
- The luminaire emits a pleasant, glare controlled light with its UV stabilised milky aluminum diffuser
- Power LEDs with efficiently designed optics to provide required light distribution

APPLICATIONS

- Road Lighting
- Area Lighting
- Parks and Garden lighting
- Architectural spaces

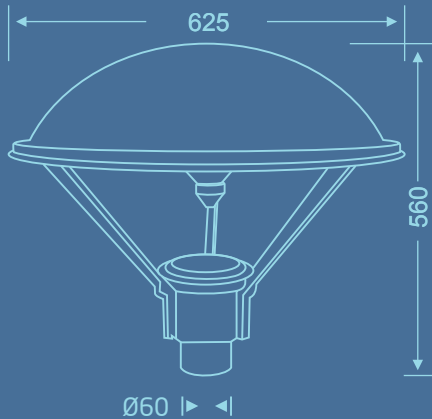
OPTIONAL FEATURES

- Smart Control-IOT dimming through remote management system to save power
- Any RAL color on request

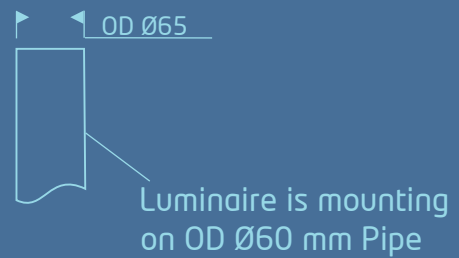
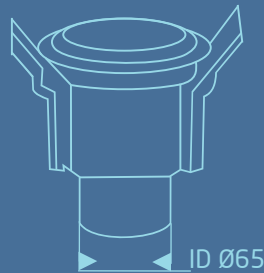
DIAMOND



DIMENSIONS



MOUNTING



ORDERING DATA

Product Code	Product Description	Wattage (W)	Standard CCT (K)	Mounting height (M)
LLPT-DIA-40C	DIAMOND LUMINAIRE PT 40W 5700K	40	5700	3m-5m
LLPT-DIA-50C	DIAMOND LUMINAIRE PT 50W 5700K	50	5700	3m-6m

EMERALD



EMERALD

A Trophy-shaped, elegantly designed fixture made up of Spun Aluminium with a heavy body for a longer life that can stand all weathers.

EMERALD



LUMINAIRE CHARACTERISTICS

Optical Compartment Tightness Level	IP65
Ambient Temperature range	- 10°C to +40°C
Nominal Input Voltage / Frequency	240V / 50Hz
Electrical Class	I
Power Consumption (Wattage) range	50/75/90/120 Watt
Luminaire efficacy (lumen/watt)	>=100 Lumen/Watt
Housing Color	Grey (other RAL colours available on request)

LED SOURCE CHARACTERISTICS

Correlated Colour Temperature (CCT) Available	3000K/4000K/5700K (Tolerance as per ANSI limit)
Colour Rendering Index (CRI)	>70

POWER SUPPLY

Input Voltage	AC 100-270V
Surge Protection	4KV
Power Factor	>0.9
Safety/Protection	As per applicable IS
THD	<10%
External SPD	10KV

FEATURES

- The Luminaire gives ornamental look for urban landscapes
- It consists of aluminum housing with sturdy four arm duly powder coated/Poly urethane painted and effective thermal management with aluminium heat sink on which LED system is mounted
- The luminaire emits a pleasant, glare controlled light with its UV stabilised optical grade PC/PMMA Clear/Frosted diffuser
- Power LEDs with efficiently designed optics to provide required light distribution

APPLICATIONS

- Road Lighting
- Area Lighting
- Parks and Garden lighting
- Architectural spaces

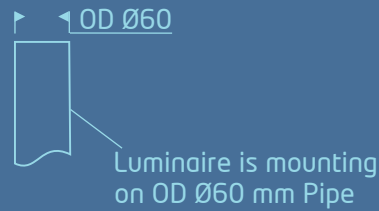
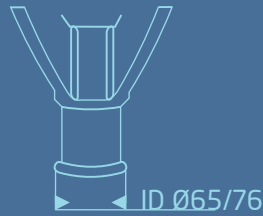
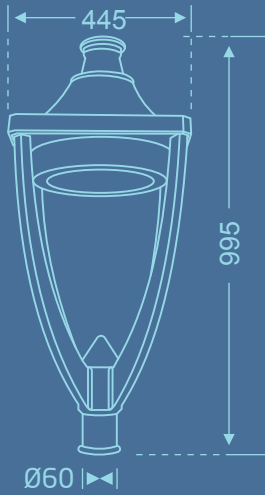
OPTIONAL FEATURES

- Smart Control-IOT dimming through remote management system to save power
- Any RAL color on request

EMERALD



DIMENSIONS



MOUNTING

ORDERING DATA

Product Code	Product Description	Wattage (W)	Standard CCT (K)	Mounting height (M)
LF-LPT-EME-50C	EMERALD LUMINAIRE PT 50W 5700K	50	5700	3m-5m
LF-LPT-EME-75C	EMERALD LUMINAIRE PT 75W 5700K	75	5700	3m-6m
LF-LPT-EME-90C	EMERALD LUMINAIRE PT 90W 5700K	90	5700	5m-7m
LF-LPT-EME-120C	EMERALD LUMINAIRE PT 120W 5700K	120	5700	5m-9m

MOONSTONE



MOONSTONE

A drop-down post top that resembles the British army hat made with Spun Aluminium canopy.

MOONSTONE

LUMINAIRE CHARACTERISTICS

Optical Compartment Tightness Level	IP65
Ambient Temperature range	- 10°C to +40°C
Nominal Input Voltage / Frequency	240V / 50Hz
Electrical Class	I
Power Consumption (Wattage) range for Moonstone	40W/50W/60W/75W/90W/120W and E27 Holder
Power Consumption (Wattage) range for Moonstone S	40W/50W/60W/75W/90W and E27 Holder
Luminaire efficacy (lumen/watt)	>=100 Lumen/Watt
Housing Color	Grey (other RAL colours available on request)

LED SOURCE CHARACTERISTICS

Correlated Colour Temperature (CCT) Available	3000K/4000K/5700K (Tolerance as per ANSI limit)
Colour Rendering Index (CRI)	>70

POWER SUPPLY

Input Voltage	AC 100-270V
Surge Protection	4KV
Power Factor	>0.9
Driver Efficiency	As per applicable IS
THD	<10%
External SPD	10KV

FEATURES

- The Luminaire gives ornamental look for urban landscapes
- It consists of aluminum housing duly powder coated/Poly urethane painted and effective thermal management with aluminium heat sink on which LED system is mounted.
- The luminaire emits a pleasant, glare Controlled light with its UV stabilised optical grade Poly Carbonate diffuser
- Power LEDs with efficiently designed optics to provide required light distribution

APPLICATIONS

- Road Lighting
- Area Lighting
- Parks and Garden lighting
- Architectural spaces

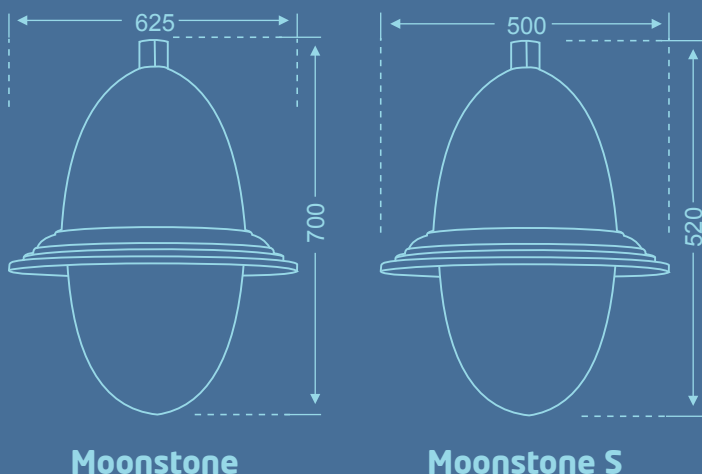
OPTIONAL FEATURES

- Smart Control-IOT dimming through remote management system to save power
- Any RAL color on request
- Post top version also available

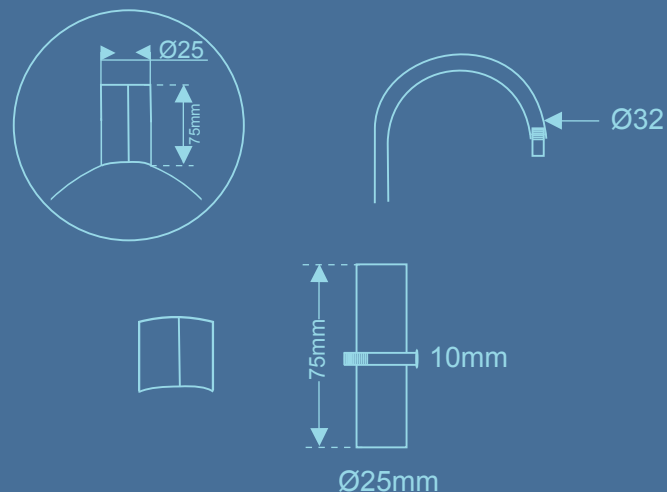
MOONSTONE



DIMENSIONS



MOUNTING



ORDERING DATA

Moonstone

Product Code	Product Description	Wattage (W)	Standard CCT (K)	Mounting height (M)
LF-LDD-M00-E27	MOONSTONE LUMINAIRE DD E27 HOLDER	E27	5700	3m-4m
LF-LDD-M00-40C	MOONSTONE LUMINAIRE DD 40W 5700K	40	5700	5m-7m
LF-LDD-M00-50C	MOONSTONE LUMINAIRE DD 50W 5700K	50	5700	5m-7m
LF-LDD-M00-60C	MOONSTONE LUMINAIRE DD 60W 5700K	60	5700	6m-7m
LF-LDD-M00-75C	MOONSTONE LUMINAIRE DD 75W 5700K	75	5700	6m-8m
LF-LDD-M00-90C	MOONSTONE LUMINAIRE DD 90W 5700K	90	5700	6m-8m
LF-LDD-M00-120C	MOONSTONE LUMINAIRE DD 120W 5700K	120	5700	6m-9m

Moonstone S

Product Code	Product Description	Wattage (W)	Standard CCT (K)	Mounting height (M)
LF-LDD-M00S-E27	MOONSTONE_S LUMINAIRE DD E27 HOLDER	E27	5700	3m-5m
LF-LDD-M00S-40C	MOONSTONE_S LUMINAIRE DD 40W 5700K	40	5700	3m-6m
LF-LDD-M00S-50C	MOONSTONE_S LUMINAIRE DD 50W 5700K	50	5700	5m-7m
LF-LDD-M00S-60C	MOONSTONE_S LUMINAIRE DD 60W 5700K	60	5700	5m-7m
LF-LDD-M00S-75C	MOONSTONE_S LUMINAIRE DD 75W 5700K	75	5700	5m-7m
LF-LDD-M00S-90C	MOONSTONE_S LUMINAIRE DD 90W 5700K	90	5700	5m-8m

QUARTZ



QUARTZ

This post top luminaire consists of a Spun Aluminium housing that distributes light indirectly.

QUARTZ



LUMINAIRE CHARACTERISTICS

Optical Compartment Tightness Level	IP65
Ambient Temperature range	- 10°C to +40°C
Nominal Input Voltage / Frequency	240V / 50Hz
Electrical Class	I
Power Consumption (Wattage) range	10W / 20W
Luminaire efficacy (lumen/watt)	>=100 Lumen/Watt
Housing Color	Grey (other RAL colours available on request)

LED SOURCE CHARACTERISTICS

Correlated Colour Temperature (CCT) Available	3000K/4000K/ 5700K (Tolerance as per ANSI limit)
Colour Rendering Index (CRI)	>70

POWER SUPPLY

Input Voltage	AC 100-270V
Surge Protection	4KV
Power Factor	>0.9
Safety/Protection	As per applicable IS
THD	<10%
External SPD	10KV

FEATURES

- The Luminaire gives ornamental look for urban landscapes
- It consists of spun aluminum Top & PC base duly powder coated/Poly urethane painted and effective thermal management with aluminium heat sink on which LED system is mounted
- The luminaire emits a pleasant, glare controlled light with its UV stabilised optical grade PC/PMMA Clear/Frosted diffuser
- Power LEDs with efficiently designed optics to provide required light distribution

APPLICATIONS

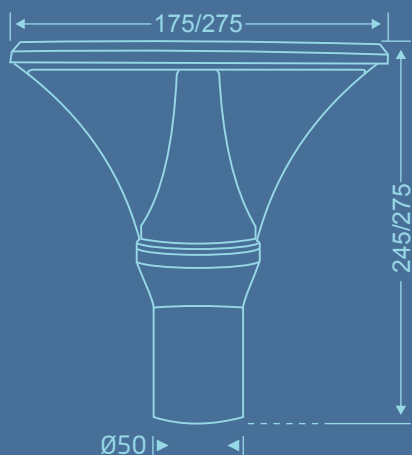
- Road Lighting
- Area Lighting
- Parks and Garden lighting
- Architectural spaces

OPTIONAL FEATURES

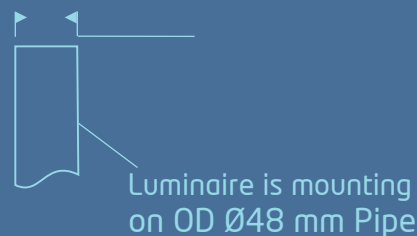
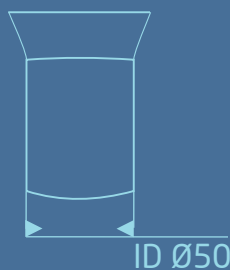
- Any RAL color on request

QUARTZ

DIMENSIONS



MOUNTING



ORDERING DATA

Product Code	Product Description	Wattage (W)	Standard CCT (K)	Mounting height (M)
LF-LPT-QUA-10C	QUARTZ LUMINAIRE PT 10W 5700K	10	5700	1m
LF-LPT-QUA-20C	QUARTZ LUMINAIRE PT 20W 5700K	20	5700	1m-2m

RUBY



RUBY

For a second it might look like a British armyman standing with a hat on but when it lights up, it's a post, that comprises of Spun Aluminium canopy.

RUBY

LUMINAIRE CHARACTERISTICS

Optical Compartment Tightness Level	IP65
Ambient Temperature range	- 10°C to +40°C
Nominal Input Voltage / Frequency	240V / 50Hz
Electrical Class	I
Power Consumption (Wattage) range for Ruby	40W/50W/60W/75W/90W/120W
Power Consumption (Wattage) range for Ruby S	40W,50W,60W,75W /90 W
Luminaire efficacy (lumen/watt)	>=100 Lumen/Watt
Housing Color	Grey (other RAL colours available on request)

LED SOURCE CHARACTERISTICS

Correlated Colour Temperature (CCT) Available	3000K/4000K/ 5700K (Tolerance as per ANSI limit)
Colour Rendering Index (CRI)	>70

POWER SUPPLY

Input Voltage	AC 100-270V
Surge Protection	4KV
Power Factor	>0.9
Safety/Protection	As per applicable IS
THD	<10%
External SPD	10KV

FEATURES

- The Luminaire gives ornamental look for urban landscapes
- It consists of aluminum housing with sturdy Twin arm duly powder coated/PU painted and effective thermal management with aluminium heat sink on which LED system is mounted
- The Luminaire emits a pleasant, glare controlled light with its UV stabilised clear/opal optical grade Polycarbonate diffuser
- Power LEDs with efficiently designed optics to provide required light distribution

APPLICATIONS

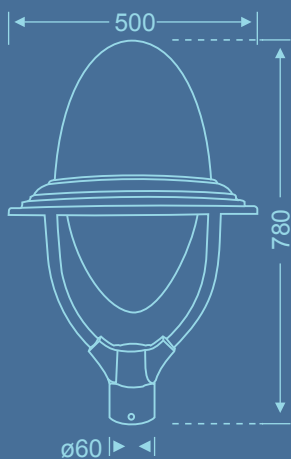
- Road Lighting
- Area Lighting
- Parks and Garden lighting
- Architectural spaces

OPTIONAL FEATURES

- Smart Control-IOT dimming through remote management system to save power
- Any RAL color on request
- Drop down version also available

RUBY

DIMENSIONS

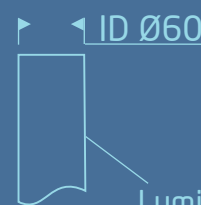
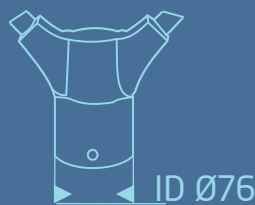


Ruby



Ruby S

MOUNTING



Luminaire is mounting on OD Ø60 mm Pipe

ORDERING DATA

Ruby

Product Code	Product Description	Wattage (W)	Standard CCT (K)	Mounting height (M)
LF-LPT-RUB-40C	RUBY LUMINAIRE PT 40W 5700K	40	5700	3m-5m
LF-LPT-RUB-50C	RUBY LUMINAIRE PT 50W 5700K	50	5700	3m-5m
LF-LPT-RUB-60C	RUBY LUMINAIRE PT 60W 5700K	60	5700	5m-6m
LF-LPT-RUB-75C	RUBY LUMINAIRE PT 75W 5700K	75	5700	5m-6m
LF-LPT-RUB-90C	RUBY LUMINAIRE PT 90W 5700K	90	5700	5m-7m
LF-LPT-RUB-120C	RUBY LUMINAIRE PT 120W 5700K	120	5700	5m-7m

Ruby S

Product Code	Product Description	Wattage (W)	Standard CCT (K)	Mounting height (M)
LF-LPT-RUBS-40C	RUBY_S LUMINAIRE PT 40W 5700K	40	5700	3m-4m
LF-LPT-RUBS-50C	RUBY_S LUMINAIRE PT 50W 5700K	50	5700	3m-4m
LF-LPT-RUBS-60C	RUBY_S LUMINAIRE PT 60W 5700K	60	5700	3m-4m
LF-LPT-RUBS-75C	RUBY_S LUMINAIRE PT 75W 5700K	75	5700	3m-5m
LF-LPT-RUBS-90C	RUBY_S LUMINAIRE PT 90W 5700K	90	5700	3m-5m

SAFFRON



SAFFRON

This post top luminaire consists of a Spun Aluminium housing that distributes light indirectly.

SAFFRON



LUMINAIRE CHARACTERISTICS

Optical Compartment Tightness Level	IP65
Ambient Temperature range	- 10°C to +40°C
Nominal Input Voltage / Frequency	240V / 50Hz
Electrical Class	I
Power Consumption (Wattage) range for Saffron	25W / 40W / 50W / 60W and E27 Holder
Power Consumption (Wattage) range for Saffron S	18W / 24W and E27 Holder
Luminaire efficacy (lumen/watt)	>=100 Lumen/Watt
Housing Color	Grey (other RAL colours available on request)

LED SOURCE CHARACTERISTICS

Correlated Colour Temperature (CCT) Available	3000K/4000K/ 5700K (Tolerance as per ANSI limit)
Colour Rendering Index (CRI)	>70

POWER SUPPLY

Input Voltage	AC 100-270V
Surge Protection	4KV
Power Factor	>0.9
Safety/Protection	As per applicable IS
THD	<10%
External SPD	10KV

FEATURES

- The Luminaire gives ornamental look for urban landscapes.
- It consists of aluminum housing duly powder coated/Poly urethane painted and effective thermal management with aluminium heat sink on which LED system is mounted.
- The luminaire emits a pleasant, glare controlled light with its UV stabilised PC/PMMA Clear Prismatic diffuser
- Power LEDs with efficiently designed optics to provide required light distribution

APPLICATIONS

- Road Lighting
- Area Lighting
- Parks and Garden lighting
- Architectural spaces

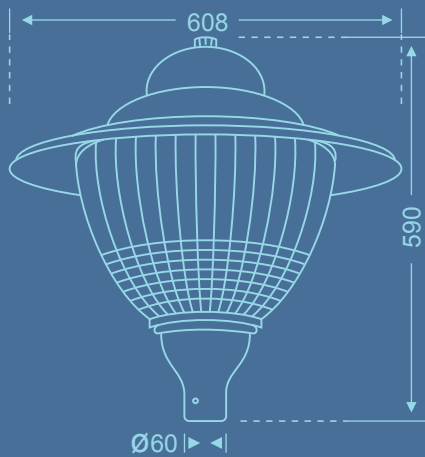
OPTIONAL FEATURES

- Any RAL color on request

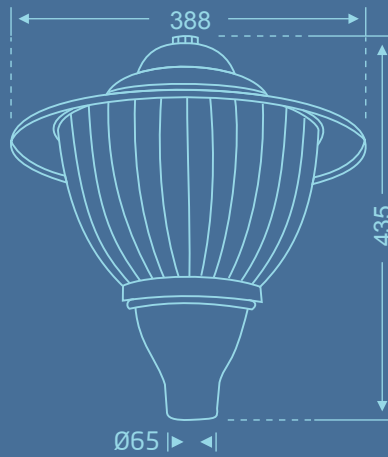
SAFFRON



DIMENSIONS

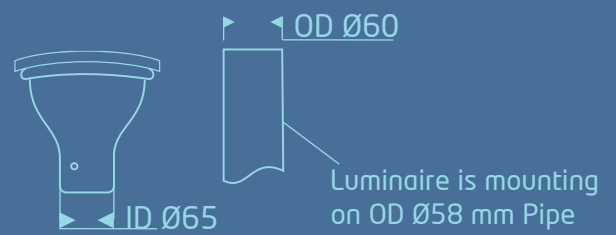


Saffron



Saffron S

MOUNTING



ORDERING DATA

Saffron

Product Code	Product Description	Wattage (W)	Standard CCT (K)	Mounting height (M)
LF-LPT-SAF-E27	SAFFRON LUMINAIRE PT E27 HOLDER	E27	5700	3m-5m
LF-LPT-SAF-25C	SAFFRON LUMINAIRE PT 25W 5700K	25	5700	3m-4m
LF-LPT-SAF-40C	SAFFRON LUMINAIRE PT 40W 5700K	40	5700	4m-5m
LF-LPT-SAF-50C	SAFFRON LUMINAIRE PT 50W 5700K	50	5700	4m-6m
LF-LPT-SAF-60C	SAFFRON LUMINAIRE PT 60W 5700K	60	5700	4m-7m

Saffron S

Product Code	Product Description	Wattage (W)	Standard CCT (K)	Mounting height (M)
LF-LPT-SAFS-E27	SAFFRON_S LUMINAIRE PT E27 HOLDER	E27	5700	3m-5m
LF-LPT-SAFS-18C	SAFFRON_S LUMINAIRE PT 18W 5700K	18	5700	1m-2m
LF-LPT-SAFS-24C	SAFFRON_S LUMINAIRE PT 24W 5700K	24	5700	2m-3m

SAPPHIRE



SAPPHIRE

A perfect piece for modern outlooks. This Mushroom shaped light is made with a unique combination of Heavy Aluminium housing and Poly Carbonate base.

SAPPHIRE



LUMINAIRE CHARACTERISTICS

Optical Compartment Tightness Level	IP65
Ambient Temperature range	- 10°C to +40°C
Nominal Input Voltage / Frequency	240V / 50Hz
Electrical Class	I
Power Consumption (Wattage) range for Sapphire	50W / 60W / 75W / 90W
Power Consumption (Wattage) range for Sapphire S	24W / 30W
Luminaire efficacy (lumen/watt)	>=100 Lumen/Watt
Housing Color	Grey (other RAL colours available on request)

LED SOURCE CHARACTERISTICS

Correlated Colour Temperature (CCT) Available	3000K/4000K/ 5700K (Tolerance as per ANSI limit)
Colour Rendering Index (CRI)	>70

POWER SUPPLY

Input Voltage	AC 100-270V
Surge Protection	4KV
Power Factor	>0.9
Safety/Protection	As per applicable IS
THD	<10%
External SPD	10KV

FEATURES

- The Luminaire gives ornamental look for urban landscapes.
- It consists of aluminum housing with cast aluminum/Poly carbonate base duly powder coated/Poly urethane painted and effective thermal management with aluminium heat sink on which LED system is mounted.
- The luminaire emits a pleasant, glare controlled light with its UV stabilised optical grade Poly carbonate diffuser
- Power LEDs with efficiently designed optics to provide required light distribution

APPLICATIONS

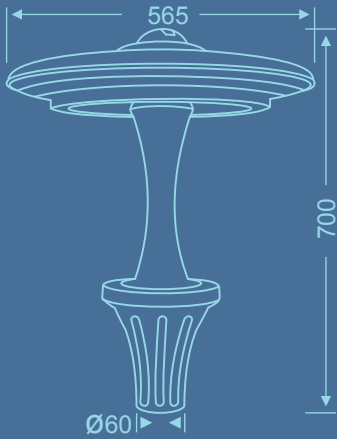
- Road Lighting
- Area Lighting
- Parks and Garden lighting
- Architectural spaces

OPTIONAL FEATURES

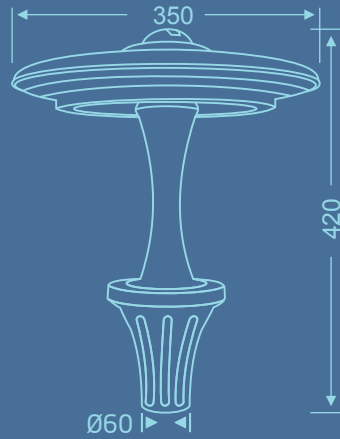
- Any RAL color on request.

SAPPHIRE

DIMENSIONS

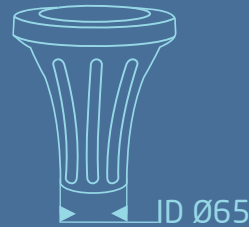


Sapphire



Sapphire S

MOUNTING



OD Ø60



Luminaire is mounting on OD Ø60 mm Pipe

ORDERING DATA

Sapphire

Product Code	Product Description	Wattage (W)	Standard CCT (K)	Mounting height (M)
LF-LPT-SAP-50C	SAPPHIRE LUMINAIRE PT 50W 5700K	50	5700	3m-4m
LF-LPT-SAP-60C	SAPPHIRE LUMINAIRE PT 60W 5700K	60	5700	3m-4m
LF-LPT-SAP-75C	SAPPHIRE LUMINAIRE PT 75W 5700K	75	5700	5m-6m
LF-LPT-SAP-90C	SAPPHIRE LUMINAIRE PT 90W 5700K	90	5700	5m-6m

Sapphire S

Product Code	Product Description	Wattage (W)	Standard CCT (K)	Mounting height (M)
LF-LPT-SAPS-24C	SAPPHIRE_S LUMINAIRE PT 24W 5700K	24	5700	3m
LF-LPT-SAPS-30C	SAPPHIRE_S LUMINAIRE PT 30W 5700K	30	5700	3m-4m

SPINEL



SPINEL

This urban ornamental luminaire is designed with two and four sturdy arms fixed with an LED light.

SPINEL



LUMINAIRE CHARACTERISTICS

Optical Compartment Tightness Level	IP65
Ambient Temperature range	- 10°C to +40°C
Nominal Input Voltage / Frequency	240V / 50Hz
Electrical Class	I
Power Consumption (Wattage) range for Spinel	40W / 50W / 60W / 75W and E27 Holder
Power Consumption (Wattage) range for Spinel S	25W / 40W and E27 Holder
Luminaire efficacy (lumen/watt)	>=100 Lumen/Watt
Housing Color	Grey (other RAL colours available on request)

LED SOURCE CHARACTERISTICS

Correlated Colour Temperature (CCT) Available	3000K/4000K/ 5700K (Tolerance as per ANSI limit)
Colour Rendering Index (CRI)	>70

POWER SUPPLY

Input Voltage	AC 100-270V
Surge Protection	4KV
Power Factor	>0.9
Safety/Protection	As per applicable IS
THD	<10%
External SPD	10KV

FEATURES

- The Luminaire gives ornamental look to urban landscapes
- The post top consists of Aluminum housing attached with sturdy four arm bracket which is powder coated, Poly Urethane painted and is effective in thermal management with Aluminum heat sink on which the LED system is mounted.
- The luminaire emits a pleasant, glare Controlled light with its UV stabilised optical grade Poly Carbonate diffuser
- Power LEDs with efficiently designed optics to provide required light distribution

APPLICATIONS

- Road Lighting
- Area Lighting
- Parks and Garden lighting
- Architectural spaces

OPTIONAL FEATURES

- Smart Control-IOT dimming through remote management system to save power
- Any RAL color on request

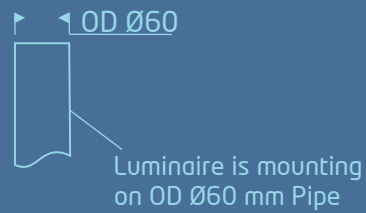
SPINEL



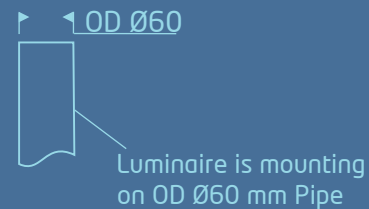
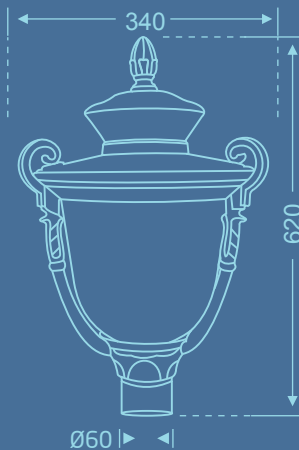
DIMENSIONS

MOUNTING

Spinel



Spinel S



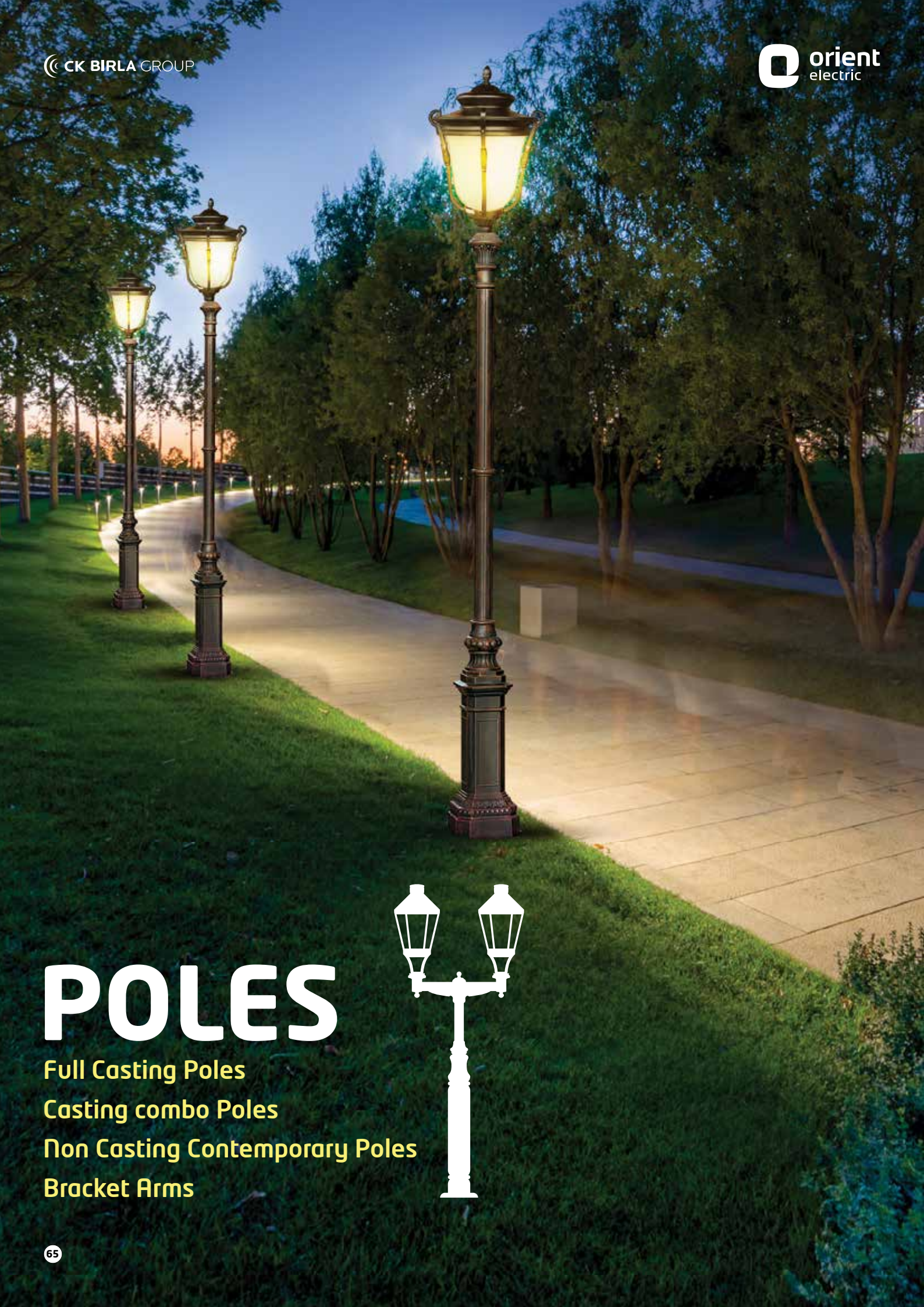
ORDERING DATA

Spinel

Product Code	Product Description	Wattage (W)	Standard CCT (K)	Mounting height (M)
LF-LPT-SPI-E27	OSL- SPINEL LUMINAIRE PT E27W 5700K	E27	5700	3m-4m
LF-LPT-SPI-40C	OSL- SPINEL LUMINAIRE PT 40W 5700K	40	5700	3m-4m
LF-LPT-SPI-50C	OSL- SPINEL LUMINAIRE PT 50W 5700K	50	5700	4m-5m
LF-LPT-SPI-60C	OSL- SPINEL LUMINAIRE PT 60W 5700K	60	5700	4m-6m
LF-LPT-SPI-75C	OSL- SPINEL LUMINAIRE PT 75W 5700K	75	5700	5m-8m

Spinel S

Product Code	Product Description	Wattage (W)	Standard CCT (K)	Mounting height (M)
LF-LPT-SPI-E27	OSL- SPINEL_S LUMINAIRE PT E27W 5700K	E27	5700	3m-4m
LF-LPT-SPI-25C	OSL- SPINEL_S LUMINAIRE PT 25W 5700K	25	5700	2m-3m
LF-LPT-SPI-40C	OSL- SPINEL_S LUMINAIRE PT 40W 5700K	40	5700	3m-4m



POLES

Full Casting Poles

Casting combo Poles

Non Casting Contemporary Poles

Bracket Arms



FULL CASTING POLES



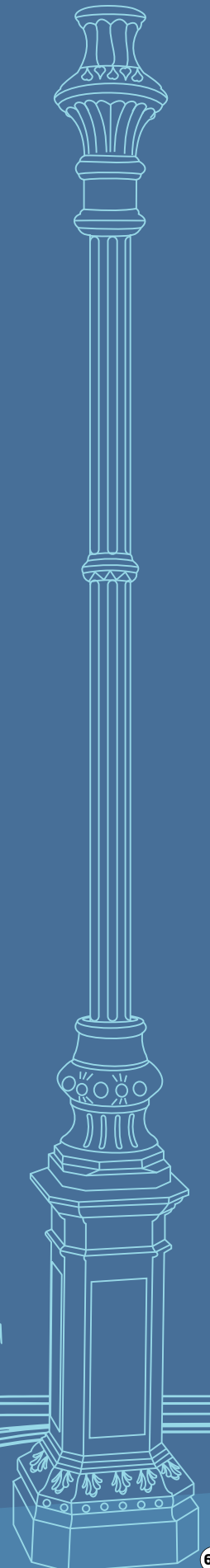
CASTING COMBO POLES



NON CASTING CONTEMPORARY POLES



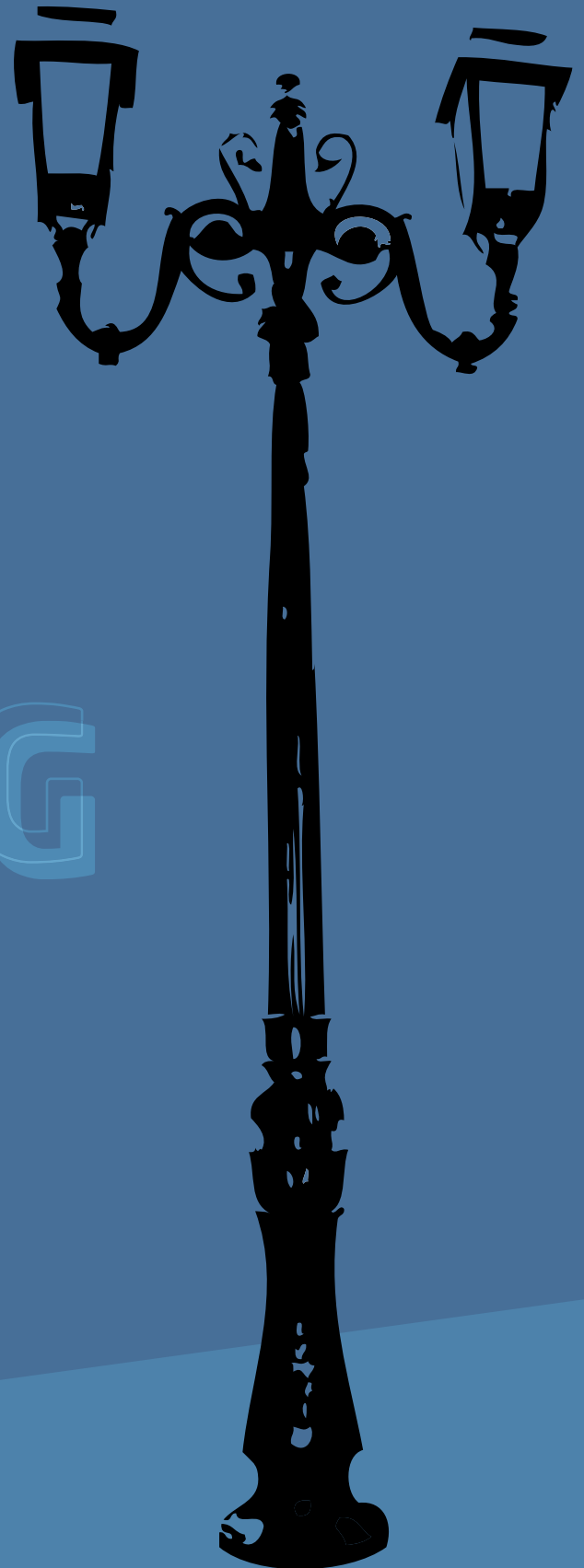
BRACKET ARMS



POLES

FULL CASTING POLES

Sculptured complete Cast iron/Cast Aluminium designer poles with bracket arms giving a traditional appeal to urban street lighting architecture.



POLES

FEATURES

- 💡 Pole Base: Designer Cast Iron/Aluminium base with suitable base plate to mount on foundation block with nuts and J type bolts
- 💡 Pole Shaft: Cast Aluminium/Cast Iron sections
- 💡 Bracket Arm: Designer cast Iron/Aluminium to hold drop down/post top Luminaires
- 💡 Pre-treatment: All the cast pieces including the pole surface are pre-treated to remove external dirt or residue.
- 💡 Finish: Durable UV Resistant Poly Urethane (P.U) paint available in range of many RAL Colors. The pole surface shall also be pre-treated before painting
- 💡 Service Window: A suitable service window is provided at the bottom of pole to allow access to electrical connections and terminations

APPLICATIONS

- 💡 Road/Pathway lighting
- 💡 Garden lighting
- 💡 Roundabouts and Architectural spaces
- 💡 Residential/Institutional campuses
- 💡 Heritage/Monumental sites

ADVANTAGES

- 💡 Vintage appeal in Urban landscapes
- 💡 Customisable colour and heights
- 💡 Multiple designer bracket arm options
- 💡 Durable, long life and great finish
- 💡 Cast Iron parts are more corrosion resistant in comparison with steel

BOSCO



BOSCO

Bracket Arms

Any design of bracket arm can be used. For more designs please visit bracket arms section.

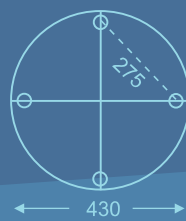
Suitable Luminaires

All post top Luminaires and all drop down Luminaires along with a bracket arm depending upon required wattage for 3M height.

Available Heights

3.1M

3165 mm



CLEO

CLEO

Bracket Arms

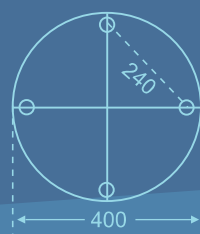
Any design of bracket arm can be used. For more designs please visit bracket arms section.

Suitable Luminaires

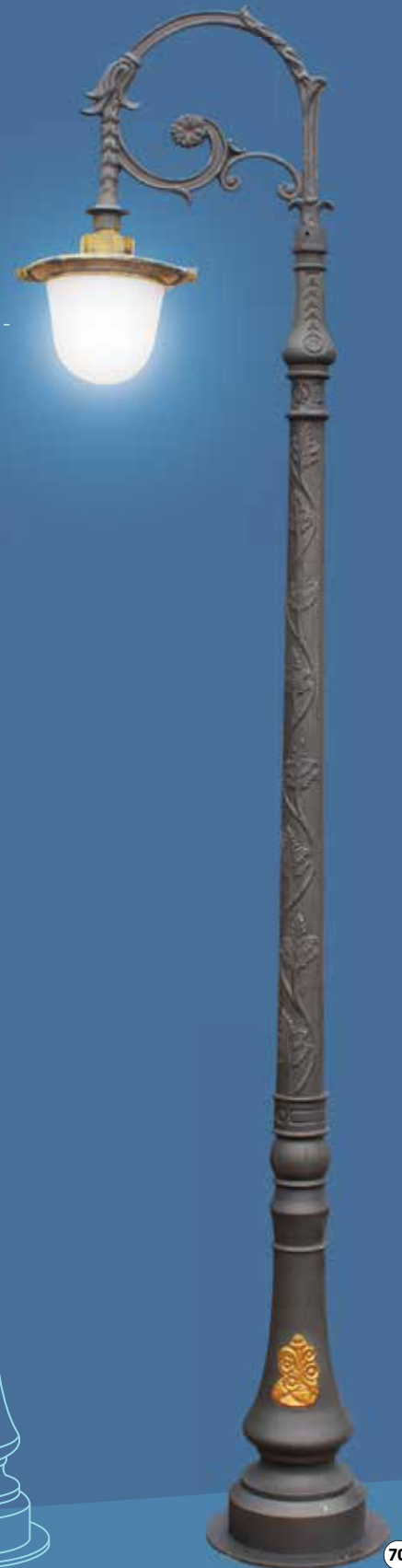
All post top Luminaires and all drop down Luminaires along with a bracket arm depending upon required wattage for 3M/4M height.

Available Heights

3M/4M



3000 mm



HEMLOCK



HEMLOCK

Bracket Arms

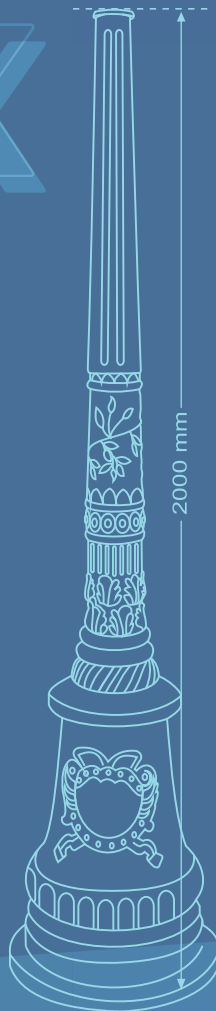
Any design of bracket arm can be used. For more designs please visit bracket arms section.

Suitable Luminaires

All post top Luminaires in required wattage.

Available Heights

2M



MOUNTING BASE

LUCAS



LUCAS

Bracket Arms

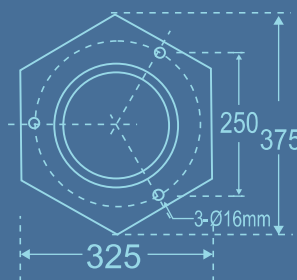
Any design of bracket arm can be used. For more designs please visit bracket arms section.

Suitable Luminaires

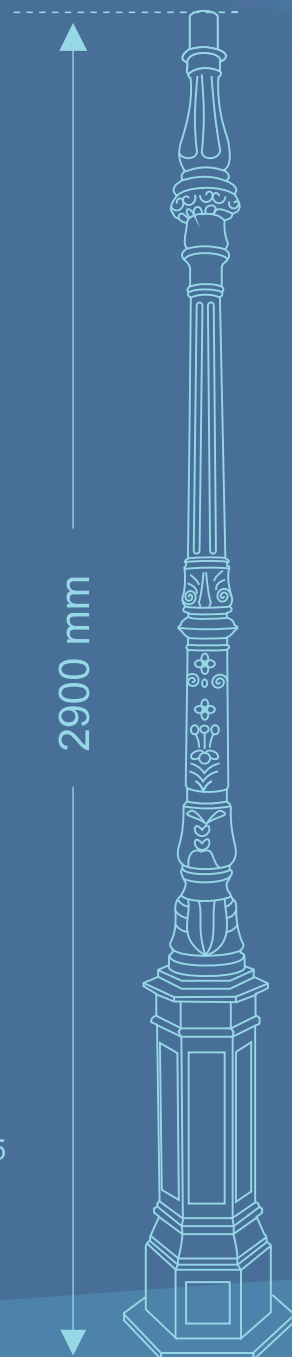
All post top Luminaires and all drop down Luminaires along with a bracket arm depending upon required wattage for 3m height.

Available Heights

3M



MOUNTING BASE



MAFYL



MAFYL

Bracket Arms

Any design of bracket arm can be used. For more designs please visit bracket arms section.

Suitable Luminaires

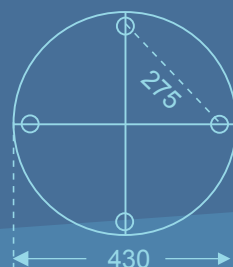
All post top Luminaires and all drop down Luminaires along with a bracket arm depending upon required wattage for 2.4M pole height.

Available Heights

2.4M



Details of Base Plate



PAULA



PAULA

Bracket Arms

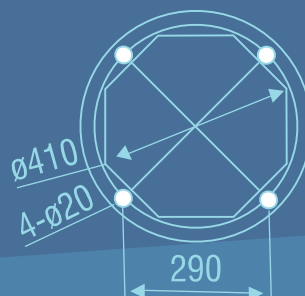
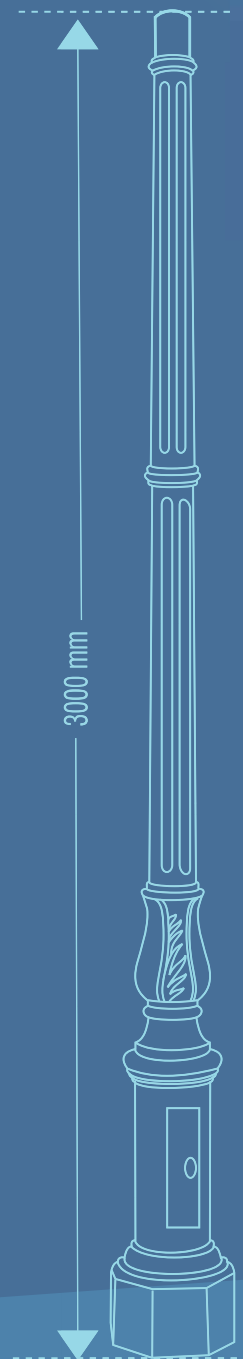
Any design of bracket arm can be used. For more designs please visit bracket arms section.

Suitable Luminaires

All post top Luminaires and all drop down Luminaires along with a bracket arm depending upon required wattage for 3M pole height.

Available Heights

3M



VINCENT

VINCENT

Bracket Arms

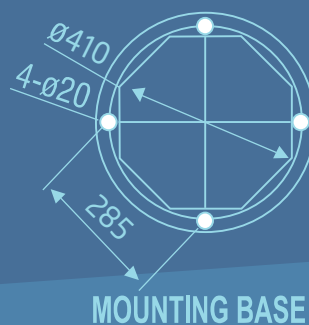
Any design of bracket arm can be used. For more designs please visit bracket arms section.

Suitable Luminaires

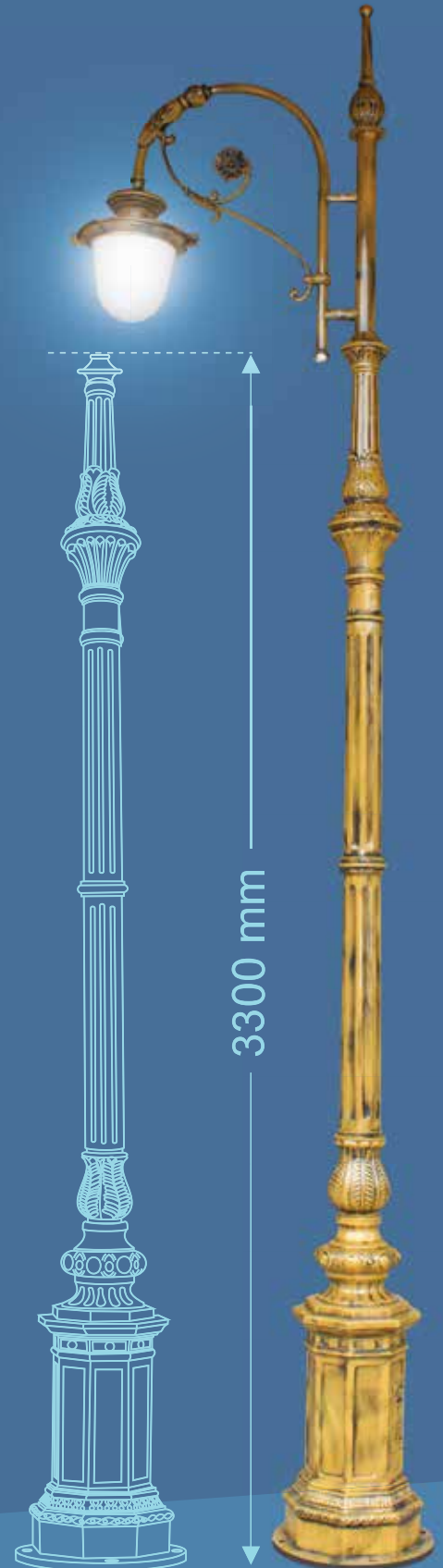
All post top Luminaires and all drop down Luminaires along with a bracket arm depending upon required wattage for 3.3M pole height.

Available Heights

3.3M



MOUNTING BASE



ATLUS

ATLUS

Bracket Arms

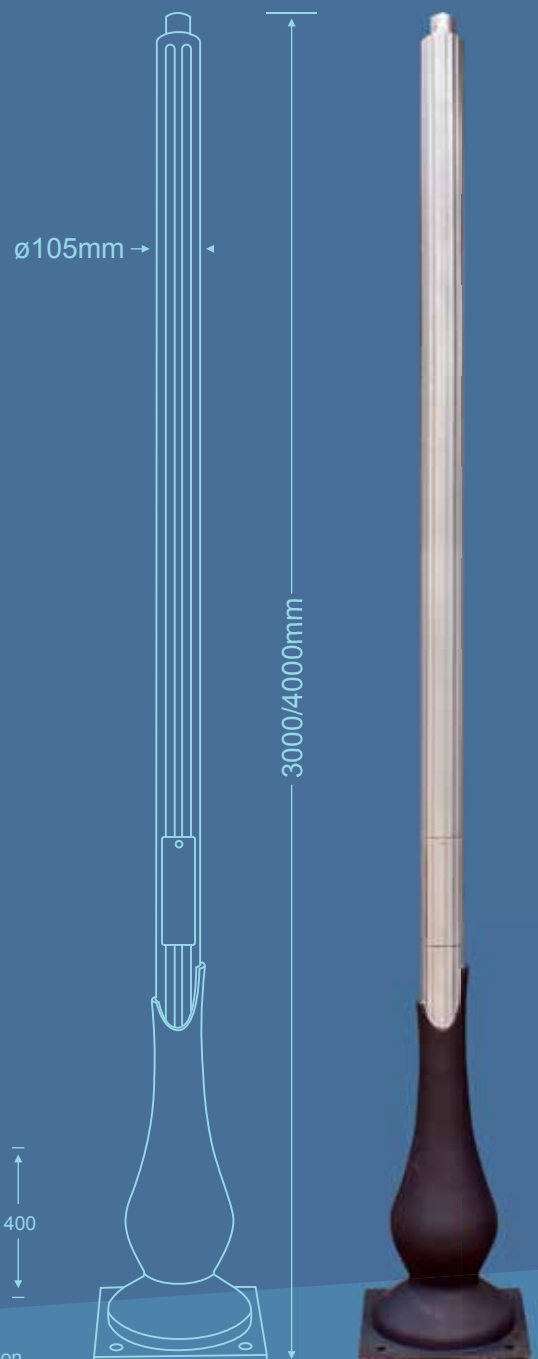
Any design of bracket arm can be used. For more designs please visit bracket arms section.

Suitable Luminaires

All Post top Luminaires and all drop down Luminaires along with a bracket arm depending upon required wattage for 3 and 4M height poles.

Available Heights

3M/4M



Mounting Dimension

THOR

THOR

Bracket Arms

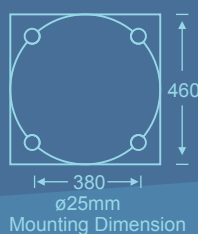
Any design of bracket arm can be used. For more designs please visit bracket arms section.

Suitable Luminaires

All Post top Luminaires and all drop down Luminaires along with a bracket arm depending upon required wattage for 3.35M, 4 M and 5M height poles.

Available Heights

3.35M/4M/5M



SCOUT

SCOUT

Bracket Arms

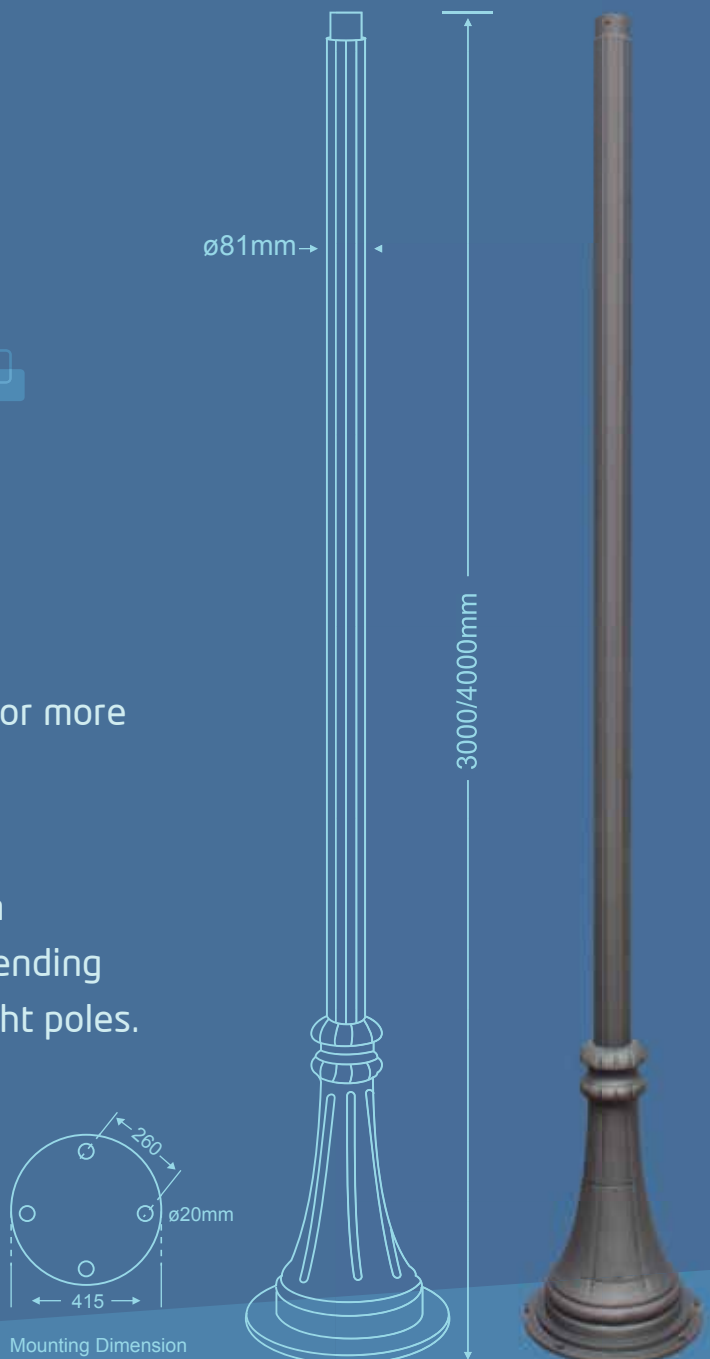
Any design of bracket arm can be used. For more designs please visit bracket arms section.

Suitable Luminaires

All Post top Luminaires and all drop down Luminaires along with a bracket arm depending upon required wattage for 3 and 4M height poles.

Available Heights

3M/4M



SATURN

SATURN

Bracket Arms

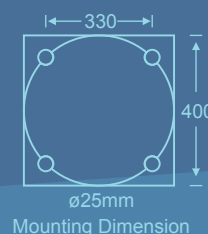
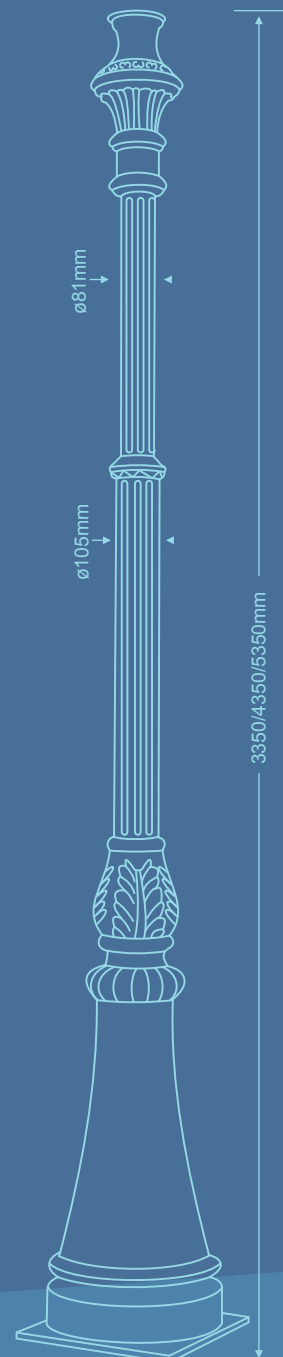
Any design of bracket arm can be used. For more designs please visit bracket arms section.

Suitable Luminaires

All Post top Luminaires and all drop down Luminaires along with a bracket arm depending upon required wattage for 3.35M, 4.35M and 5.35M height poles.

Available Heights

3.35M/4.35M/5.35M



AGENA

AGENA

Bracket Arms

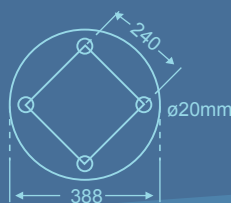
Any design of bracket arm can be used. For more designs please visit bracket arms section.

Suitable Luminaires

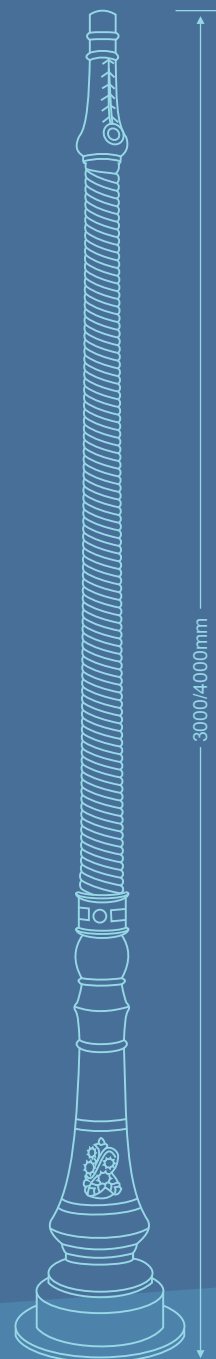
All Post top Luminaires and all drop down Luminaires along with a bracket arm depending upon required wattage for 3 and 4M height poles.

Available Heights

3M/4M



Mounting Dimension



POLES



CASTING COMBO POLES

A combination of Cast iron/Cast Aluminium/Fibre reinforced bases with Steel shafts and designer bracket arms giving a moderately ornamental appeal to urban street lighting architecture.

POLES

FEATURES

- ⚡ Pole Base: Designer Cast Iron/Cast Aluminium/Fibre reinforced base and suitable base plate to mount on foundation block with nuts and J type bolts
- ⚡ Pole Shaft: Plain G.I Pipe/Grooved Galvanized Iron (G.I) pipe/Aluminium pipe as per chosen height with optional casting rings
- ⚡ Bracket Arm: GI pipes with cast Aluminium/Cast Iron embellishments depending upon the design of brackets chosen
- ⚡ Pre-treatment: Each and every cast piece is pre-treated to remove all its external dirt and residue
- ⚡ Finish: Durable UV Resistant Poly Urethane (P.U) paint available in range of many RAL Colors. The pole surface shall also be pre-treated before painting
- ⚡ Height Range: 3M-10M* as per various designs
- ⚡ Service Window: A suitable service window shall be provided at the bottom of pole to allow access to electrical connections and terminations

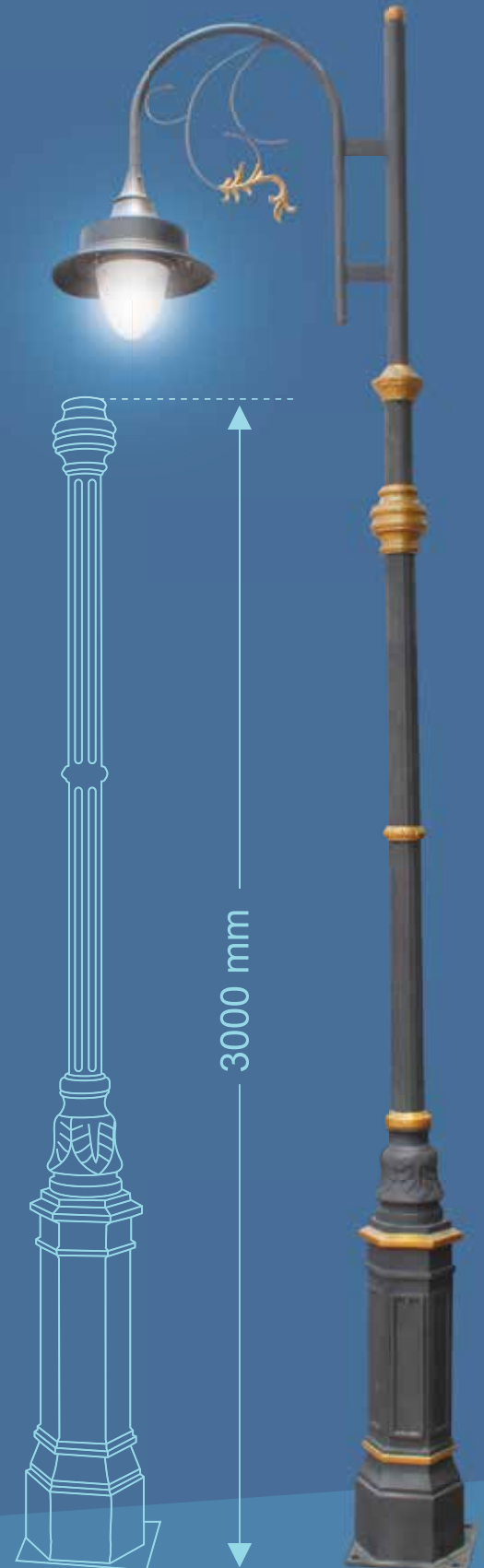
APPLICATIONS

- ⚡ Main Street lighting
- ⚡ Pathway lighting
- ⚡ Garden lighting
- ⚡ Roundabouts and Architectural spaces
- ⚡ Residential/Institutional campuses
- ⚡ Heritage monumental sites

ADVANTAGES

- ⚡ Ornamental appeal in Urban landscapes
- ⚡ Highly customisable design, colour and heights
- ⚡ Multiple designer bracket arm options
- ⚡ Durable, long life and great finish
- ⚡ Economical compared to full casting poles, still adding aesthetics to streets

AXEL



AXEL

Bracket Arms

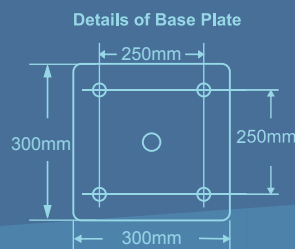
Any design of bracket arm can be used. For more designs please visit bracket arms section.

Suitable Luminaires

All post top Luminaires and all drop down Luminaire along with a bracket arm depending upon required wattage for that particular height.

Available Heights

3M/4M/5M



LARCH

LARCH

Bracket Arms

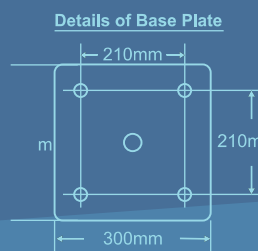
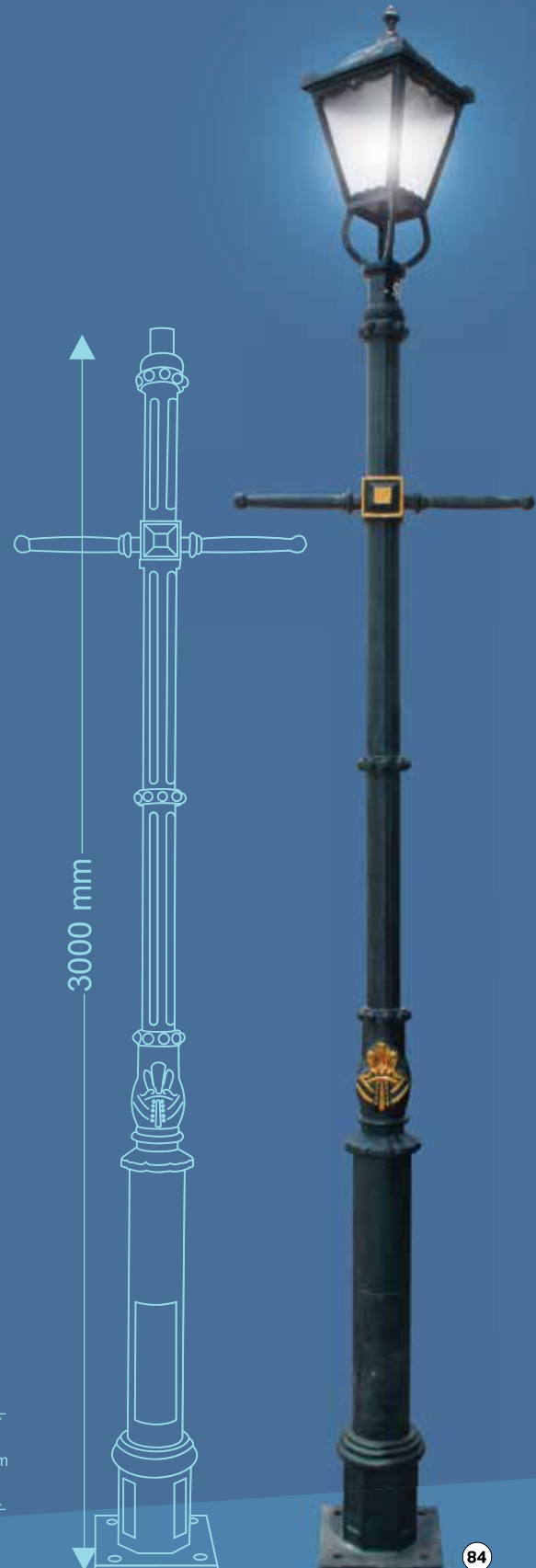
Any design of bracket arm can be used. For more designs please visit bracket arms section.

Suitable Luminaires

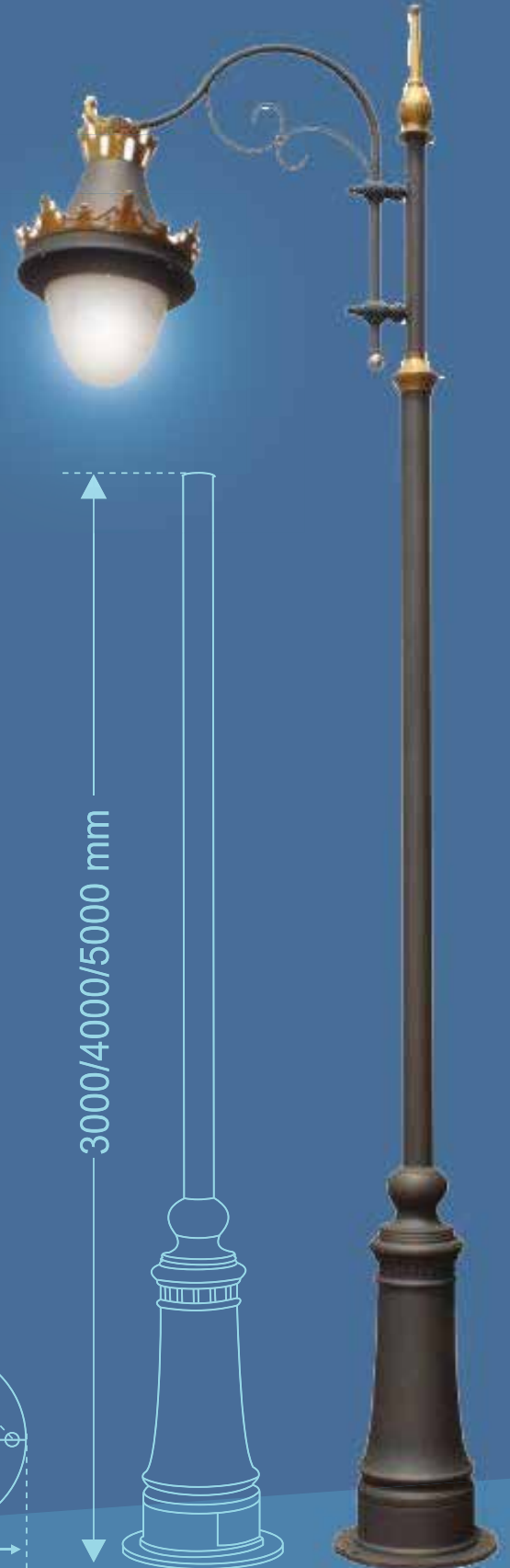
All post top Luminaires and all drop down Luminaires along with a bracket arm depending upon required wattage for particular height.

Available Heights

3M/4M/5M/6M/7M



LOCUST



LOCUST

Bracket Arms

Any design of bracket arm can be used. For more designs please visit bracket arms section.

Suitable Luminaires

All post top Luminaires and all drop down Luminaires along with a bracket arm depending upon required wattage for particular height.

Available Heights

3M/4M/5M/6M

MADDELIA

MADDELIA

Bracket Arms

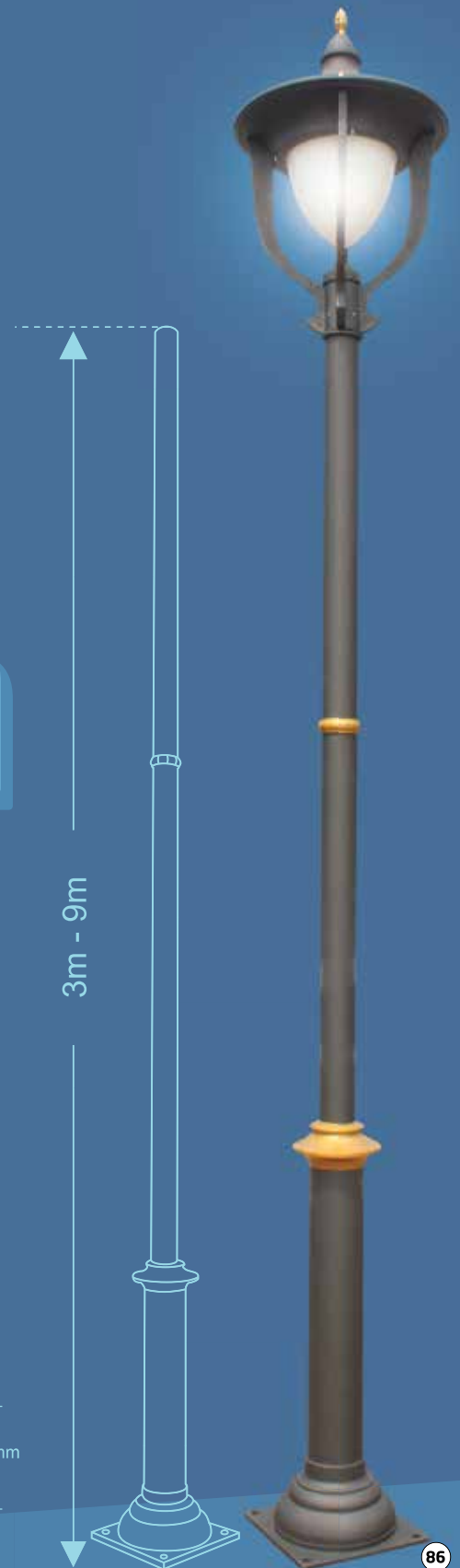
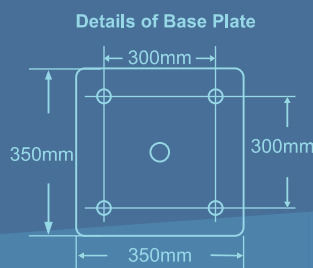
Any design of bracket arm can be used. For more designs please visit bracket arms section.

Suitable Luminaires

All post top Luminaires and all drop down Luminaires along with a bracket arm depending upon required wattage for particular height.

Available Heights

3M - 10M



RAIDEN

RAIDEN

Bracket Arms

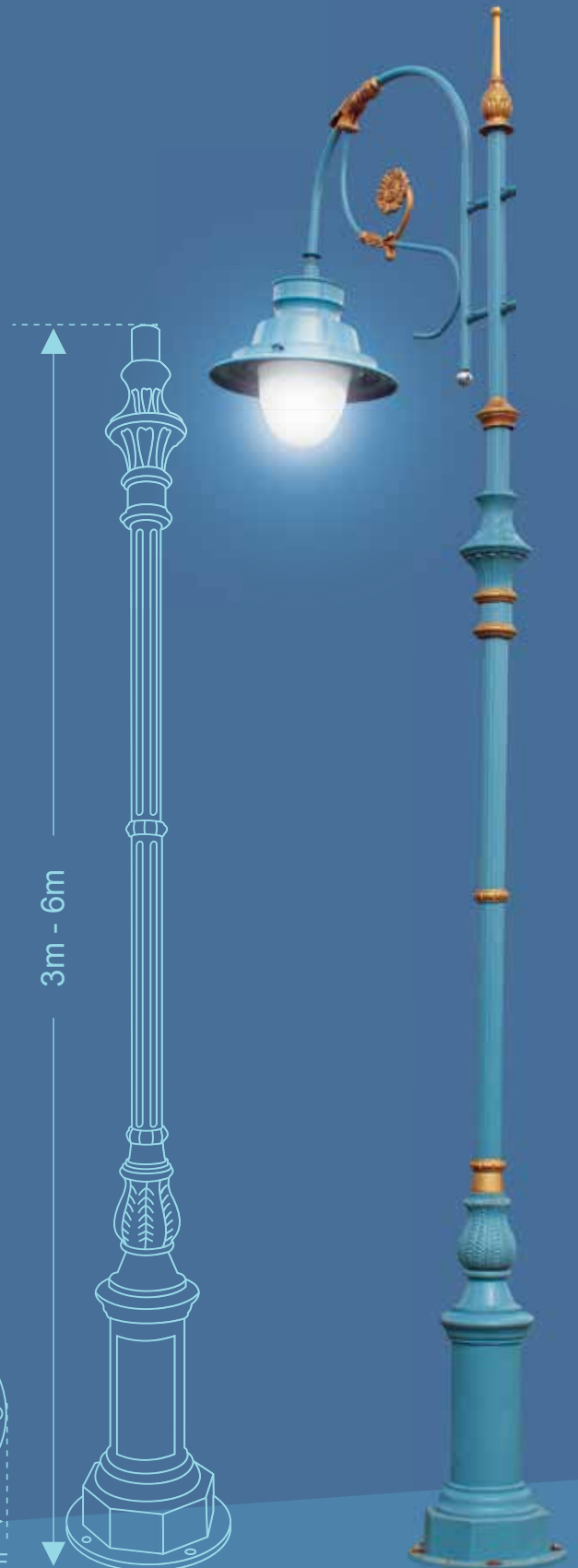
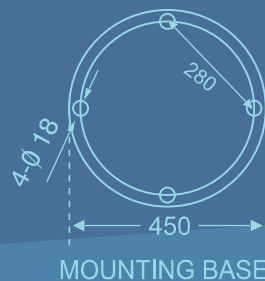
Any design of bracket arm can be used. For more designs please visit bracket arms section.

Suitable Luminaires

All post top Luminaires and all drop down Luminaires along with a bracket arm depending upon required wattage for particular height.

Available Heights

3M - 6M



CEDRUS

CEDRUS

Bracket Arms

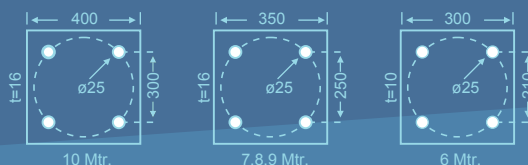
Any design of bracket arm can be used. For more designs please visit bracket arms section.

Suitable Luminaires

All Post top Luminaires and all drop down Luminaires along with a bracket arm depending upon required wattage for 6M, 7M, 8M, 9M and 10M height poles.

Available Heights

6M/7M/8M/9M/10M



FLUTE

FLUTE

Flute

This is Ribbed steel Poles are made out of mild steel galvanized ribbed extrusion profile with cast aluminium embellishment.

Bracket Arms

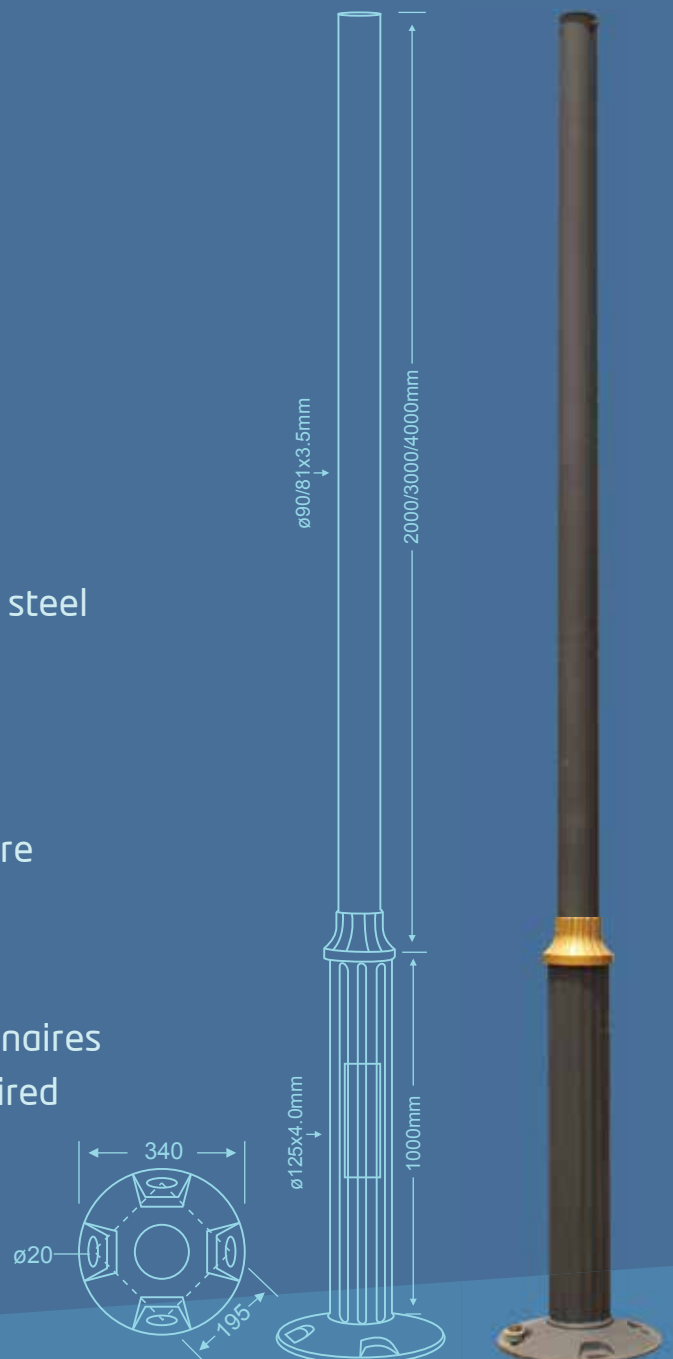
Any design of bracket arm can be used. For more designs please visit bracket arms section.

Suitable Luminaires

All Post top Luminaires and all drop down Luminaires along with a bracket arm depending upon required wattage for 3M, 4M and 5M height poles.

Available Heights

3M/4M/5M



POLES



NON CASTING CONTEMPORARY POLES

Sleek designer Steel poles with designer bracket arms giving contemporary appeal to urban street lighting architecture.



TAGIO

TAGIO

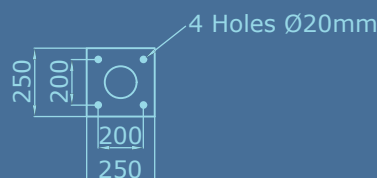
Dual steel sections branching out from base pipe forms a basic design of poles mainly for double side street lighting application.

Suitable Luminaires

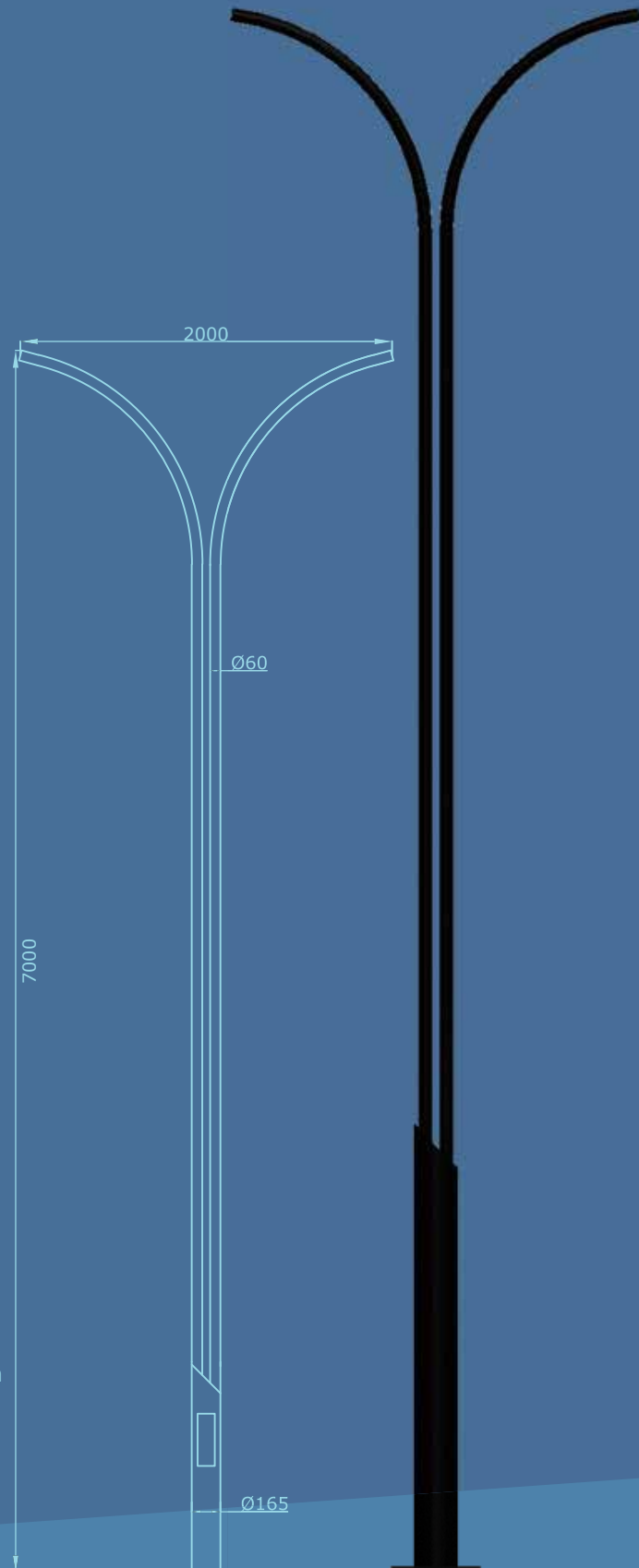
All street light fittings and drop down Luminaires depending upon required wattage for that particular height.

Available Heights

3M - 9M



BASE PLATE 12mm Thk



FLEXA

FLEXA

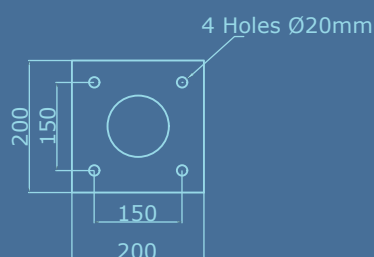
Sleek bent design that blends equally good with contemporary and traditional post top Luminaires.

Suitable Luminaires

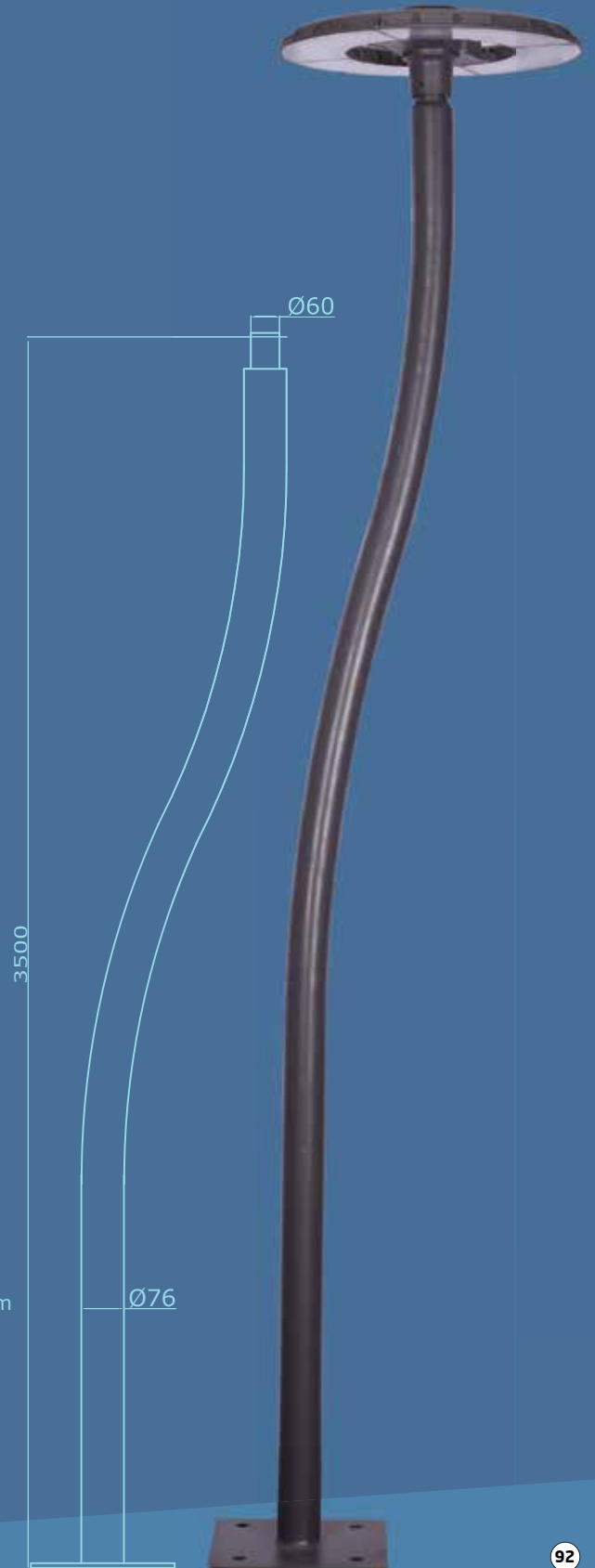
All post top Luminaires depending upon required wattage for that particular height.

Available Heights

2M - 5M



BASE PLATE 10mm Thk



ANTRIM

ANTRIM

Another LED light column with clever mix of aesthetics and performance for comfort lighting in inner city areas.



ANTRIM



LUMINAIRE CHARACTERISTICS

Optical Compartment Tightness Level	IP65
Ambient Temperature range	- 10°C to +40°C
Nominal Input Voltage / Frequency	240V / 50Hz
Electrical Class	I
Power Consumption (Wattage) range	50W
Height	3M
Luminaire efficacy (lumen/watt)	>=100 Lumen/Watt
Housing Color	Graphite Grey (other RAL colours available on request)

LED SOURCE CHARACTERISTICS

Correlated Colour Temperature (CCT) Available	3000K/4000K/ 5700K (Tolerance as per ANSI limit)
LED	Mid Power LED
Colour Rendering Index (CRI)	>70

POWER SUPPLY

Input Voltage	150-270V
Surge Protection	4KV
Power Factor	>0.9
Safety/Protection	As per applicable IS
THD	<10%
External SPD	10KV

FEATURES

- The column light gives a majestic contemporary look to urban landscapes
- It consists of GI Rectangular section shaft equipped with inbuilt LED Luminaire
- Efficiently designed discreet LEDs provides pleasant, glare controlled light with Polycarbonate Diffuser

APPLICATIONS

- Squares & Pathway Lighting
- Residential/Commercial street lighting
- Area Lighting
- Parks and Garden lighting
- Architectural spaces

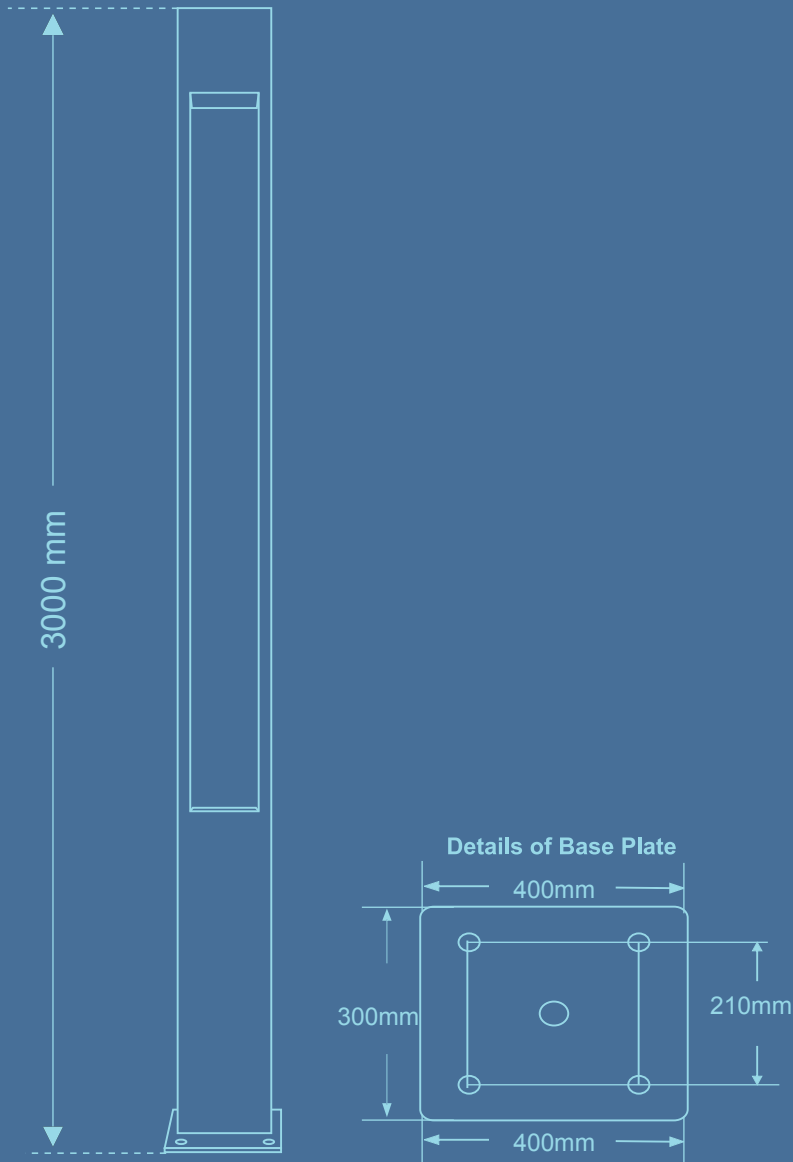
OPTIONAL FEATURES

- Smart Control-IOT/dimming through remote management system to save power
- Any RAL colour on request

Product characteristics and data are subject to change due to continuous improvement and modifications in the product.

ANTRIM

DIMENSIONS



All dimensions are in mm

ORDERING DATA

Product Code	Product Description	Wattage (W)	Standard CCT (K)	Mounting height (M)
LF-PL3M-ANT-50W	ANTRIM POLE LIGHT 3M 50W 3000K	50	3000K	3M

AUSTINO

AUSTINO

Austino's simple geometric form allows it to adapt to both contemporary or traditional settings. It shall be in harmony with pathways providing lighting from both column perforations and post top indirect illumination.



AUSTINO



LUMINAIRE CHARACTERISTICS

Optical Compartment Tightness Level	IP65
Ambient Temperature range	- 10°C to +40°C
Nominal Input Voltage / Frequency	240V / 50Hz
Electrical Class	I
Power Consumption (Wattage) range	50W (post top) + 36W (from shaft perforations)
Height	3.9M
Housing Color	Graphite Grey (other RAL colours available on request)

LED SOURCE CHARACTERISTICS

Correlated Colour Temperature (CCT) Available	3000K/4000K/5700K (Tolerance as per ANSI limit)
LED	Mid Power LED
Colour Rendering Index (CRI)	>70

POWER SUPPLY

Input Voltage	150-270V
Surge Protection	4KV
Power Factor	>0.9
Safety/Protection	As per applicable IS
THD	<10%
External SPD	10KV

FEATURES

- The Luminaire gives a majestic contemporary look to urban landscapes
- It consists of Aluminium shaft with perforations providing 36W LED and Luminaire top with indirect lighting of 50W LED
- The Luminaire emits a pleasant, glare controlled light
- Power discreet LEDs with efficiently designed optics to provide soothing light

APPLICATIONS

- Squares & Pathway Lighting
- Residential/Commercial street lighting
- Area Lighting
- Parks and Garden lighting
- Architectural spaces

OPTIONAL FEATURES

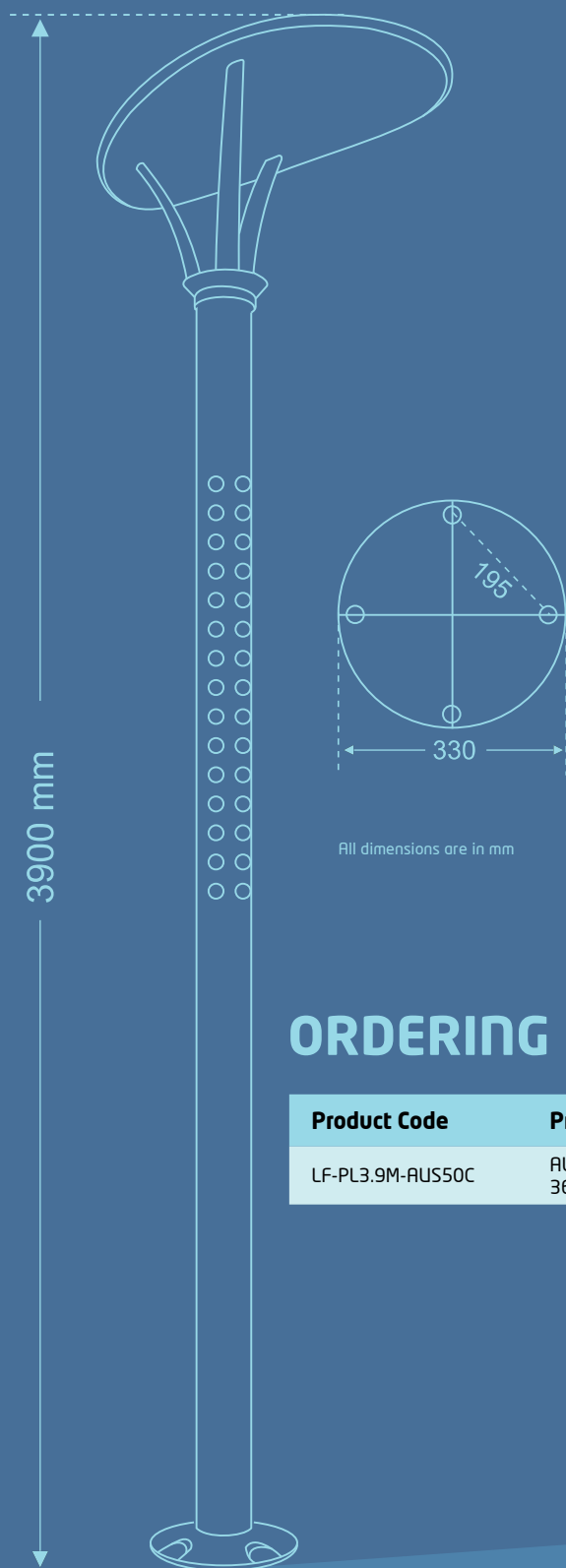
- Smart Control-IOT/dimming through remote management system to save power
- Any RAL colour on request

Product characteristics and data are subject to change due to continuous improvement and modifications in the product.

AUSTINO



DIMENSIONS



All dimensions are in mm

ORDERING DATA

Product Code	Product Description	Wattage (W)	Standard CCT (K)	Mounting height (M)
LF-PL3.9M-AUS50C	AUSTINO POLE LIGHT 3.9M 50, 36W 5700K	50W + 36W	5700K	3.9M

LINEOS



LINEOS

Square/Rectangular section poles with inbuilt LED lighting adds a sleek Contemporary aura to streets along with efficient illumination.

LINEOS

LUMINAIRE CHARACTERISTICS

Optical Compartment Tightness Level	IP65
Ambient Temperature range	- 10°C to +40°C
Nominal Input Voltage / Frequency	240V / 50Hz
Electrical Class	I
Power Consumption (Wattage) range	50W / 100W
Housing Color	Graphite Grey (other RAL colours available on request)

LED SOURCE CHARACTERISTICS

Correlated Colour Temperature (CCT) Available	3000K/4000K/ 5700K (Tolerance as per ANSI limit)
LED	Mid Power LED
Colour Rendering Index (CRI)	>70

POWER SUPPLY

Input Voltage	150-270V
Surge Protection	4KV
Power Factor	>0.9
Safety/Protection	As per applicable IS
THD	<10%
External SPD	10KV

FEATURES

- The Luminaire gives a majestic Contemporary look to urban landscapes
- It consists of GI/MS Rectangular/Square pole sections extending arm to inbuilt Luminaire with optical grade clear Polycarbonate Diffuser
- The Luminaire emits a pleasant, glare controlled light
- Power discreet LEDs with efficiently designed optics to provide street light distribution

APPLICATIONS

- Squares & Pathway Lighting
- Residential/Commercial street lighting
- Area Lighting
- Parks and Garden lighting
- Architectural spaces

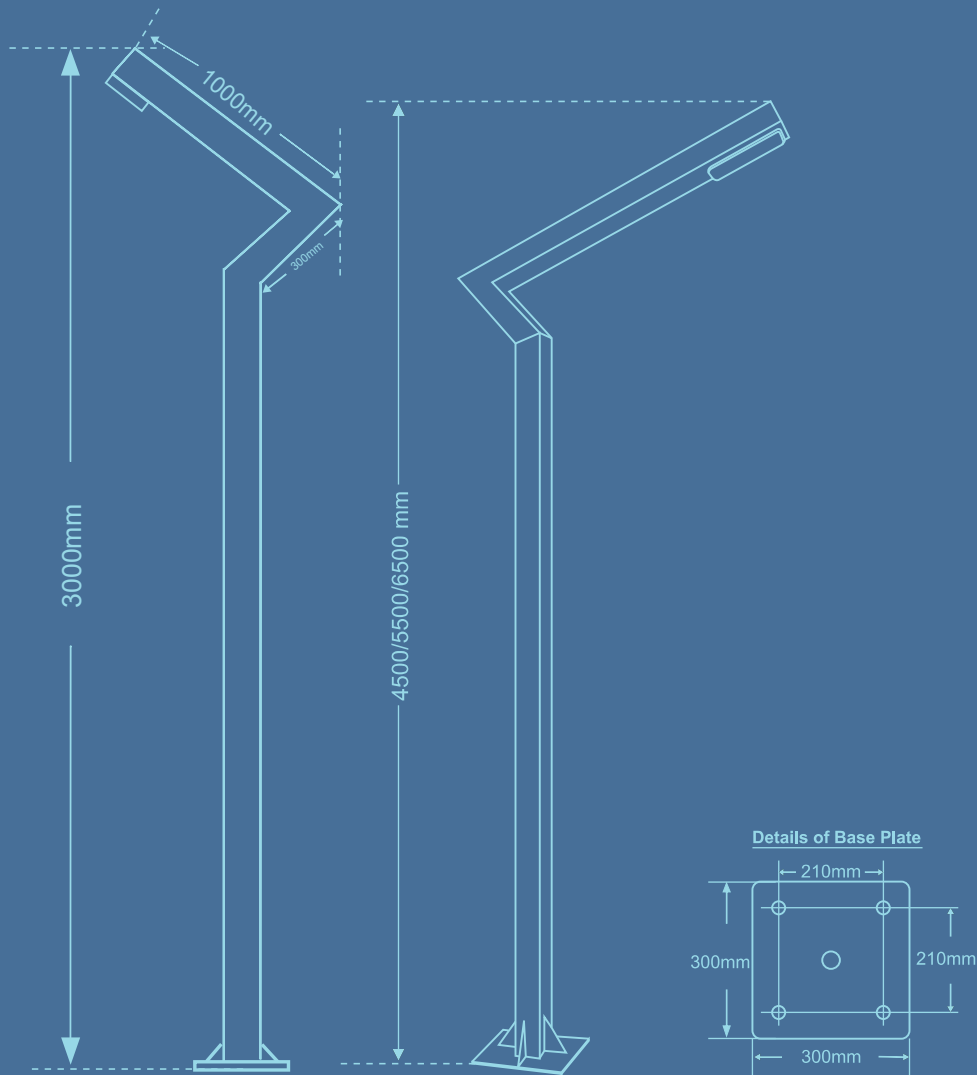
OPTIONAL FEATURES

- Smart Control-IOT/dimming through remote management system to save power
- Any RAL colour on request

Product characteristics and data are subject to change due to continuous improvement and modifications in the product.

LINEOS

DIMENSIONS



All dimensions are in mm

ORDERING DATA

Product Code	Product Description	Wattage (W)	Standard CCT (K)	Mounting height (M)
LF-PL3.0M-LIN50C	LINEOS POLE LIGHT 3.0M 50W 5700K	50	5700K	3M
LF-PL4.5M-LIN50C	LINEOS POLE LIGHT 4.5M 50W 5700K	50	5700K	4.5M
LF-PL5.5M-LIN50C	LINEOS POLE LIGHT 5.5M 50W 5700K	50	5700K	5.5M
LF-PL6.5MLIN100C	LINEOS POLE LIGHT 6.5M 100W 5700K	100	5700K	6.5M
LF-PL7.0MLIN100C	LINEOS POLE LIGHT 7.0M 100W 5700K	100	5700K	7M

ALTAIR

ALTAIR

Column light, which is an integration of pole, uniformly extended by a light diffuser, is a right choice for urban public mobility spaces.



ALTAIR

LUMINAIRE CHARACTERISTICS

Optical Compartment Tightness Level	IP65
Ambient Temperature range	- 10°C to +40°C
Nominal Input Voltage / Frequency	240V / 50Hz
Electrical Class	I
Power Consumption (Wattage) range	30W / 40W / 60W
Housing Color	Graphite Grey (other RAL colours available on request)

LED SOURCE CHARACTERISTICS

Correlated Colour Temperature (CCT) Available	3000K/4000K/ 5700K (Tolerance as per ANSI limit)
LED	Mid Power LED
Colour Rendering Index (CRI)	>70

POWER SUPPLY

Input Voltage	150-270V
Surge Protection	4KV
Power Factor	>0.9
Safety/Protection	As per applicable IS
THD	<10%
External SPD	10KV

FEATURES

- The Luminaire gives a majestic contemporary look to urban landscapes
- It consists of Steel posts with high pressure die cast Aluminium end caps with optical grade Polycarbonate Diffuser
- The Luminaire emits a pleasant, glare controlled light
- Mid Power discreet LEDs with efficiently designed optics to provide soothing light distribution

APPLICATIONS

- Squares & Pathway Lighting
- Residential/Commercial street lighting
- Area Lighting
- Parks and Garden lighting
- Architectural spaces

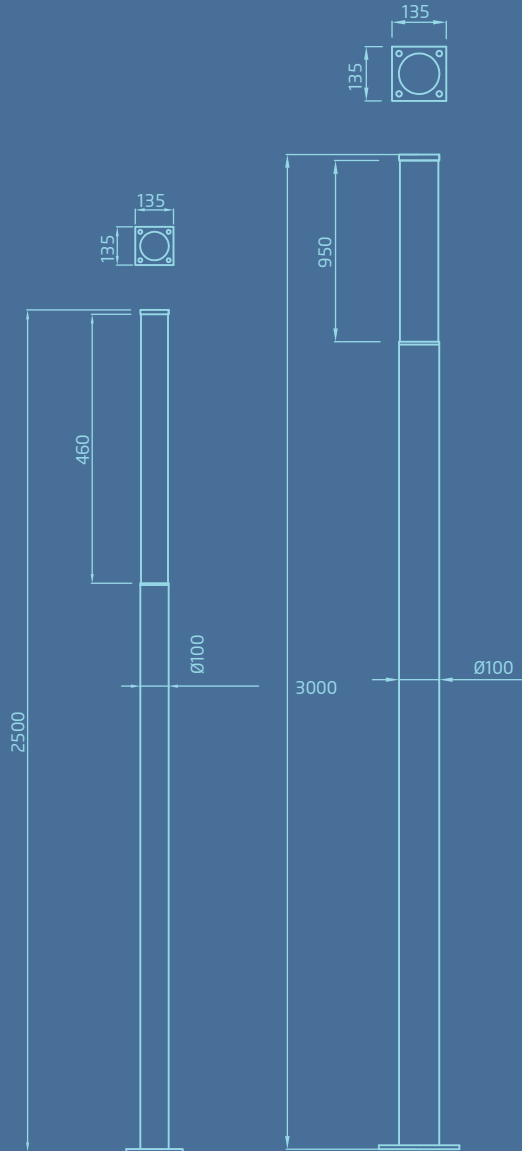
OPTIONAL FEATURES

- Smart Control- IOT/dimming through remote management system to save power
- Any RAL colour on request

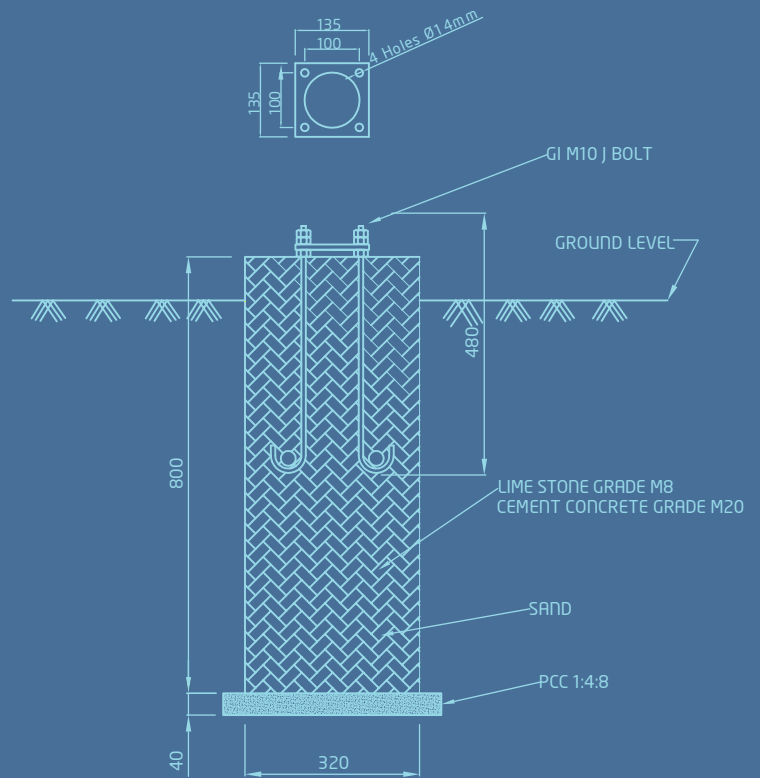
Product characteristics and data are subject to change due to continuous improvement and modifications in the product.

ALTAIR

DIMENSIONS



MOUNTING

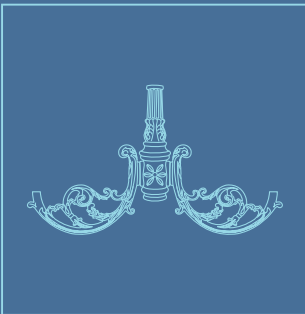


All dimensions are in mm

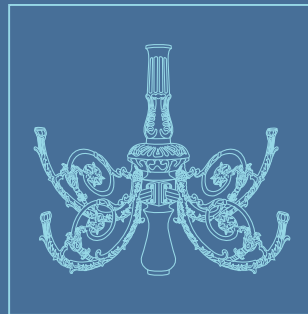
ORDERING DATA

Product Code	Product Description	Wattage (W)	Standard CCT (K)	Mounting height (M)
LF-PL2.5M-ALT30W	ALTAIR POL LIGHT 2.5M 30W 3000K	30	3000K	2.5M
LF-PL3M-ALT40W	ALTAIR POL LIGHT 3M 40W 3000K	40	3000K	3M
LF-PL4M-ALT60W	ALTAIR POL LIGHT 4M 60W 3000K	60	3000K	4M

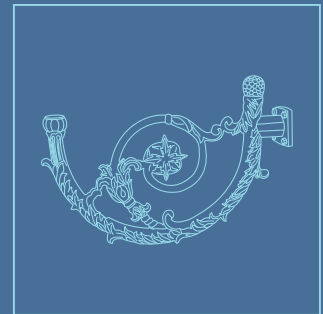
BRACKET ARMS



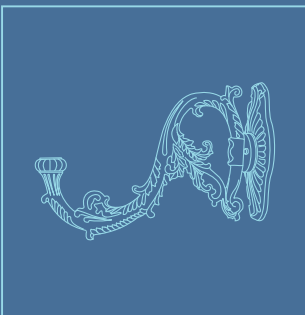
OBK01



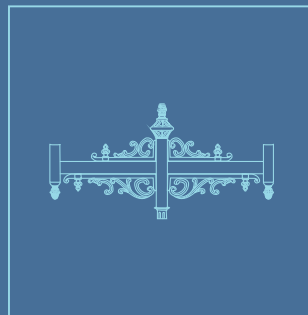
OBK02



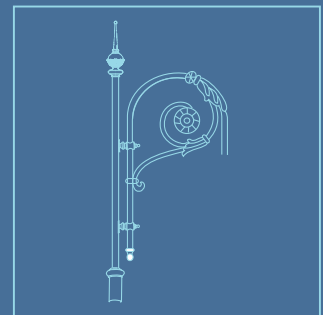
OBK03



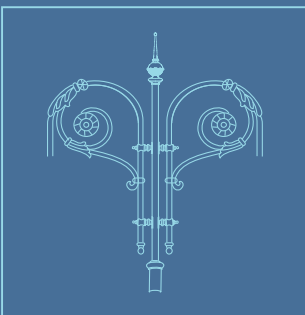
OBK04



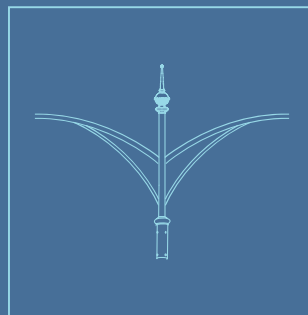
OBK05



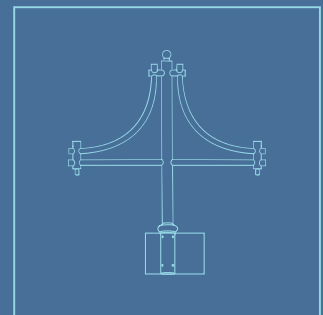
OBK06



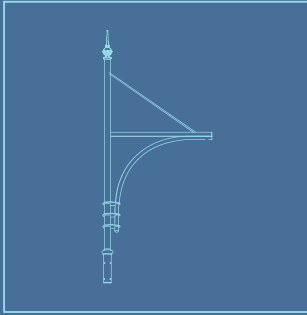
OBK07



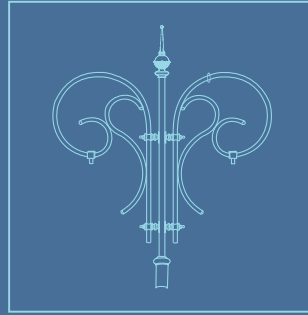
OBK08



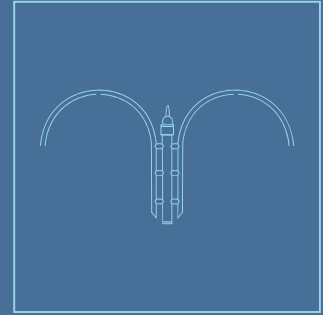
OBK09



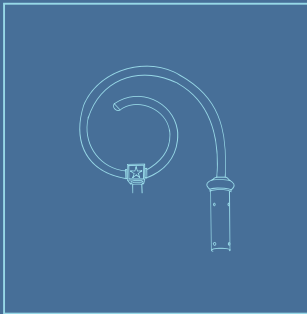
OBK10



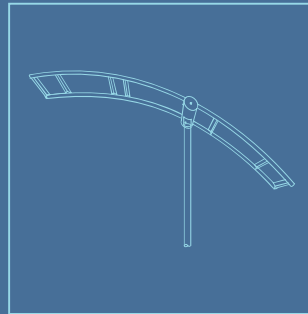
OBK11



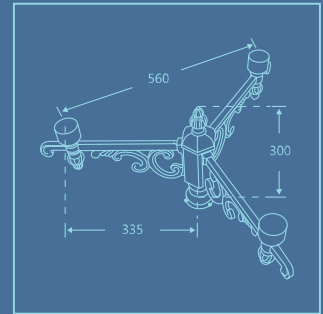
OBK12



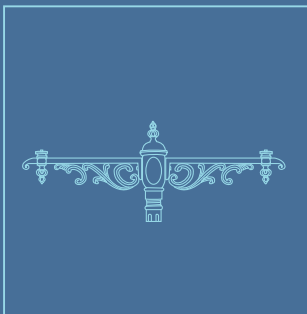
OBK13



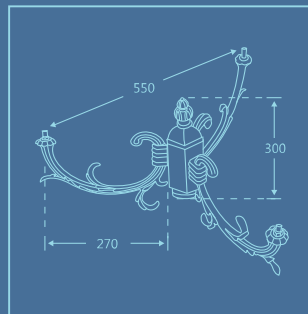
OBK14



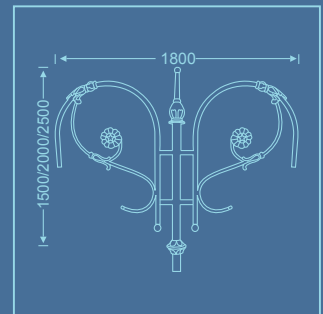
OBK15



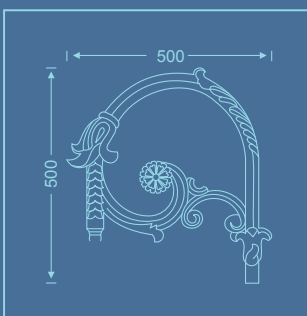
OBK16



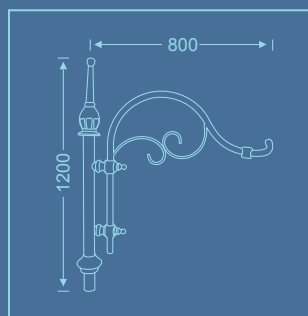
OBK17



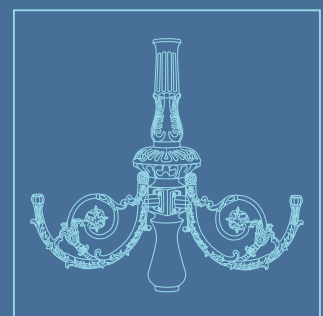
OBK18



OBK19



OBK20



OBK21



BOLLARD

ANDRO

ANDRO



ANDRO

LUMINAIRE CHARACTERISTICS

Optical Compartment Tightness Level	IP65
Ambient Temperature range	- 10°C to +40°C
Nominal Input Voltage / Frequency	240V / 50Hz
Electrical Class	I
Power Consumption (Wattage) range	9W
Housing Color	Graphite Grey (other RAL colours available on request)

LED SOURCE CHARACTERISTICS

Correlated Colour Temperature (CCT) Available	3000K/4000K/5700K (Tolerance as per ANSI limit)
LED	Mid Power LED
Colour Rendering Index (CRI)	>70

POWER SUPPLY

Input Voltage	150-270V
Surge Protection	4KV
Power Factor	>0.9
Safety/Protection	As per applicable IS
THD	<10%
External SPD	10KV

FEATURES

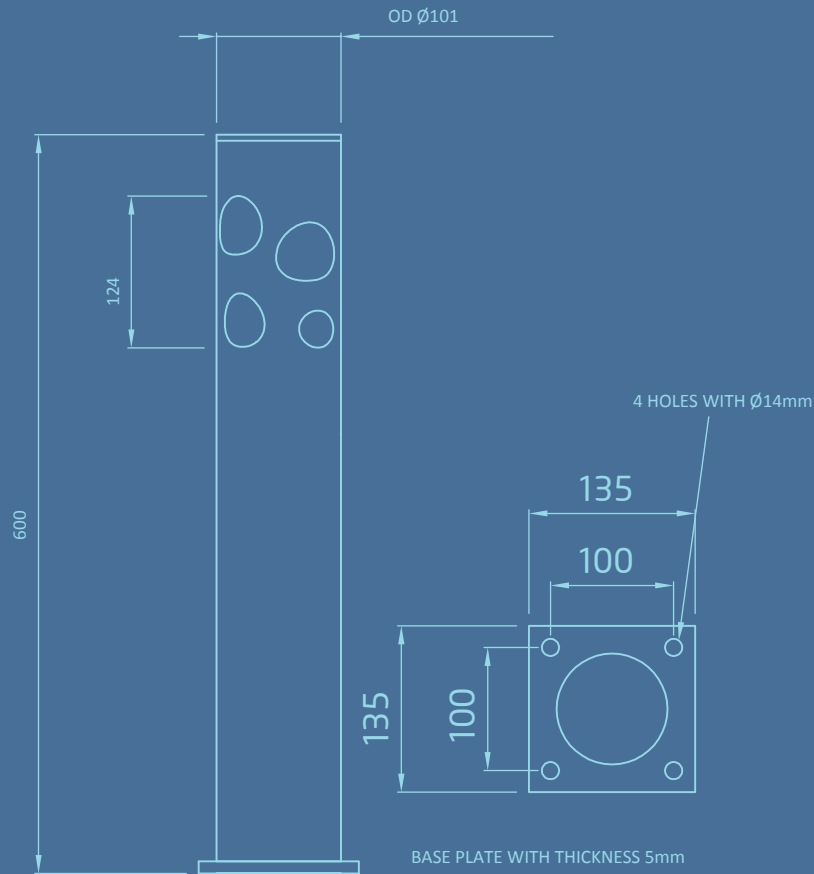
- The bollard is made of powder coated Aluminium housing
- It emits a pleasant, glare controlled light with its UV stabilised clear or opal optical grade Polycarbonate/PMMA Diffuser
- Power discreet LEDs efficiently designed to provide soothing pathway light distribution

APPLICATIONS

- Road Lighting
- Area Lighting
- Parks and Garden lighting
- Architectural spaces
- Jogging tracks/Parking spaces
- Malls, Institutional campuses etc

ANDRO

DIMENSIONS



All dimensions are in mm

ORDERING DATA

Product Code	Product Description	Wattage (W)	Standard CCT (K)	Mounting height (M)
LF-B-0.6M-AND9W	ANDRO BOLLARD 0.6M 9W 3000K	9	3000K	0.6M

ERIC 

ERIC



ERIC

LUMINAIRE CHARACTERISTICS

Optical Compartment Tightness Level	IP65
Ambient Temperature range	- 10°C to +40°C
Nominal Input Voltage / Frequency	240V / 50Hz
Electrical Class	I
Power Consumption (Wattage) range	18W
Housing Color	Graphite Grey (other RAL colours available on request)

LED SOURCE CHARACTERISTICS

Correlated Colour Temperature (CCT) Available	3000K/4000K/ 5700K (Tolerance as per ANSI limit)
LED	Mid Power LED
Colour Rendering Index (CRI)	>70

POWER SUPPLY

Input Voltage	150-270V
Surge Protection	4KV
Power Factor	>0.9
Safety/Protection	As per applicable IS
THD	<10%
External SPD	10KV

FEATURES

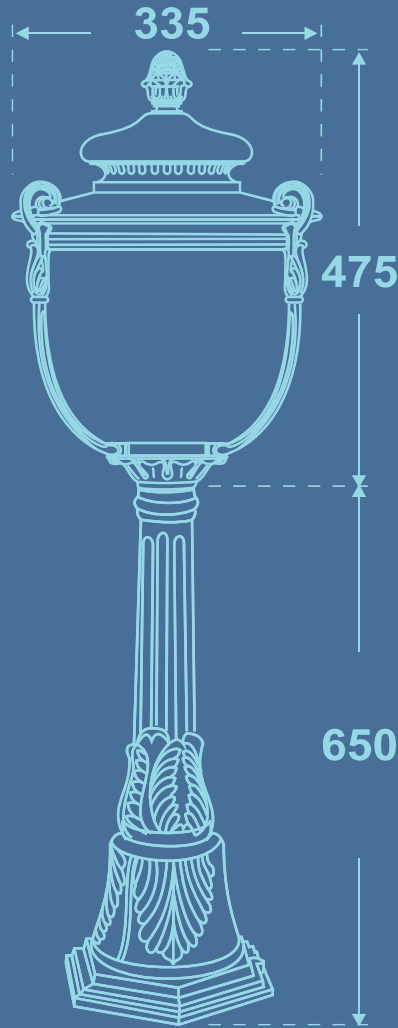
- The bollard is made of complete cast Aluminium housing
- It emits a pleasant, glare controlled light with its UV stabilised clear or opal optical grade Polycarbonate/PMMA Diffuser
- Power discreet LEDs with efficiently designed optics to provide soothing pathway light distribution

APPLICATIONS

- Area Lighting
- Parks and Garden lighting
- Architectural spaces
- Malls, Institutional campuses etc



DIMENSIONS



All dimensions are in mm

ORDERING DATA

Product Code	Product Description	Wattage (W)	Standard CCT (K)	Mounting height (M)
LF-B-1.1M-ER118C	ERIC BOLLARD 1.1M 18W 5700K	18W	5700K	1.1M

NAVIS

NAVIS



NAVIS

LUMINAIRE CHARACTERISTICS

Optical Compartment Tightness Level	IP65
Ambient Temperature range	- 10°C to +40°C
Nominal Input Voltage / Frequency	240V / 50Hz
Electrical Class	I
Power Consumption (Wattage) range	18W
Housing Color	Graphite Grey (other RAL colours available on request)

LED SOURCE CHARACTERISTICS

Correlated Colour Temperature (CCT) Available	3000K/4000K/5700K (Tolerance as per ANSI limit)
LED	Mid Power LED
Colour Rendering Index (CRI)	>70

POWER SUPPLY

Input Voltage	150-270V
Surge Protection	4KV
Power Factor	>0.9
Safety/Protection	As per applicable IS
THD	<10%
External SPD	10KV

FEATURES

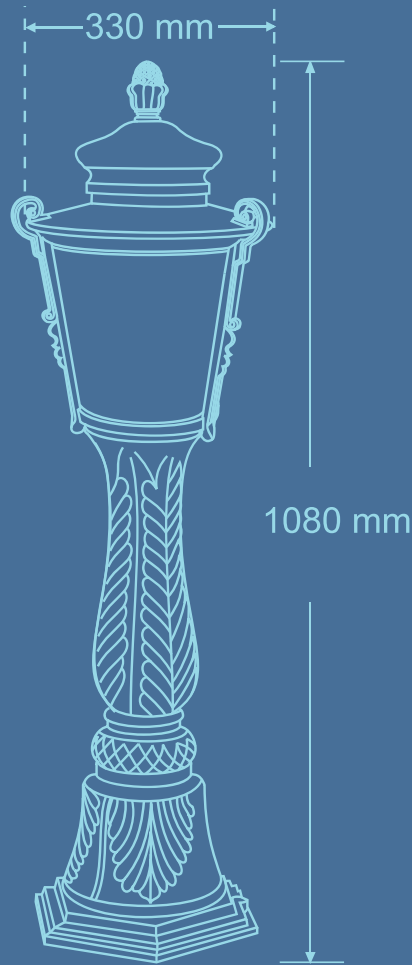
- The bollard is made of complete cast Aluminium housing
- It emits a pleasant, glare controlled light with its UV stabilised clear or opal optical grade Polycarbonate/PMMA Diffuser
- Power discreet LEDs with efficiently designed optics to provide soothing pathway light distribution

APPLICATIONS

- Area Lighting
- Parks and Garden lighting
- Architectural spaces
- Malls, Institutional campuses etc

NAVIS

DIMENSIONS



All dimensions are in mm

ORDERING DATA

Product Code	Product Description	Wattage (W)	Standard CCT (K)	Mounting height (M)
LF-B-1.1M-NAV18C	NAVIS BOLLARD 1.1M 18W 5700K	18W	5700K	1.1M

NORMA



NORMA



NORMA

LUMINAIRE CHARACTERISTICS

Optical Compartment Tightness Level	IP65
Ambient Temperature range	- 10°C to +40°C
Nominal Input Voltage / Frequency	240V / 50Hz
Electrical Class	I
Power Consumption (Wattage) range	9W
Housing Color	Graphite Grey (other RAL colours available on request)

LED SOURCE CHARACTERISTICS

Correlated Colour Temperature (CCT) Available	3000K/4000K/5700K (Tolerance as per ANSI limit)
LED	Mid Power LED
Colour Rendering Index (CRI)	>70

POWER SUPPLY

Input Voltage	150-270V
Surge Protection	4KV
Power Factor	>0.9
Safety/Protection	As per applicable IS
THD	<10%
External SPD	10KV

FEATURES

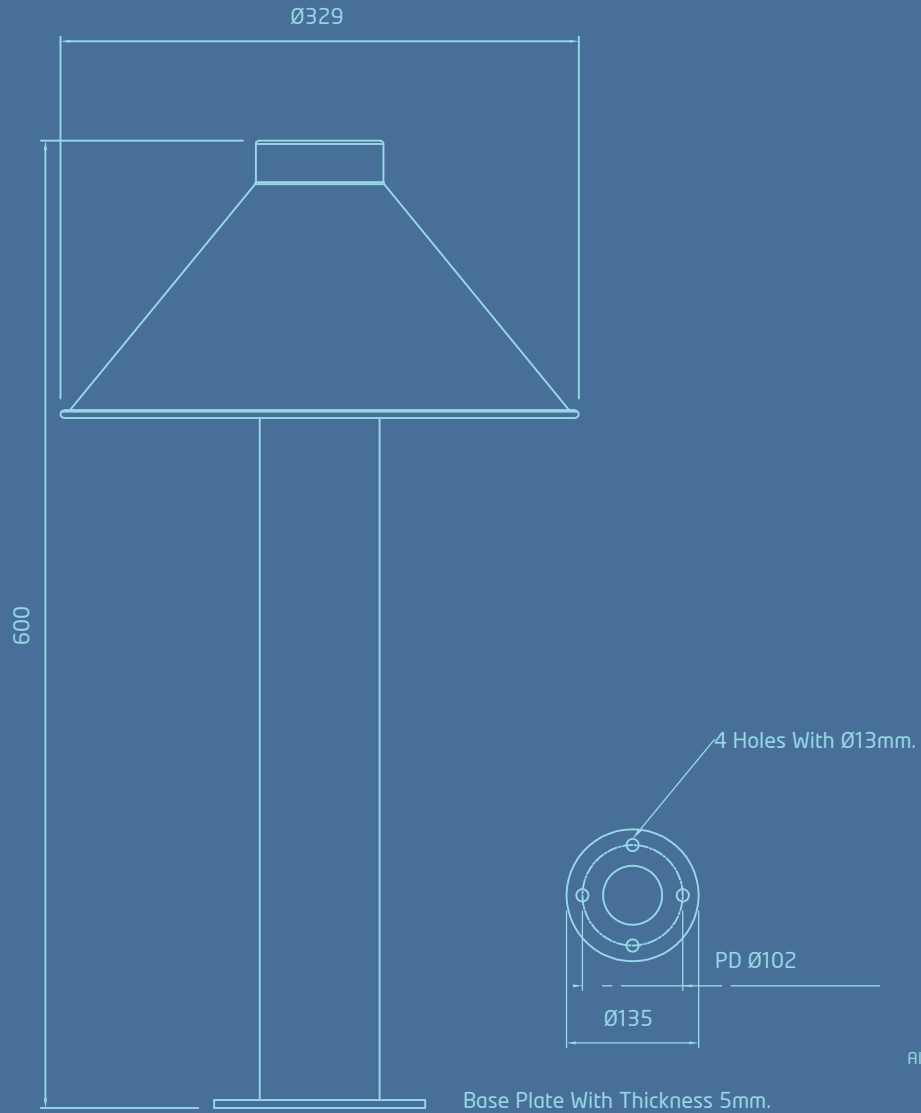
- The bollard is made of complete cast Aluminium housing
- It emits a pleasant, glare controlled light with its UV stabilised clear optical grade PMMA Diffuser
- Power discreet LEDs with efficiently designed optics to provide soothing pathway light distribution

APPLICATIONS

- Road Lighting
- Area Lighting
- Parks and Garden lighting
- Architectural spaces
- Jogging tracks/Parking spaces
- Malls, Institutional campuses etc

NORMA

DIMENSIONS



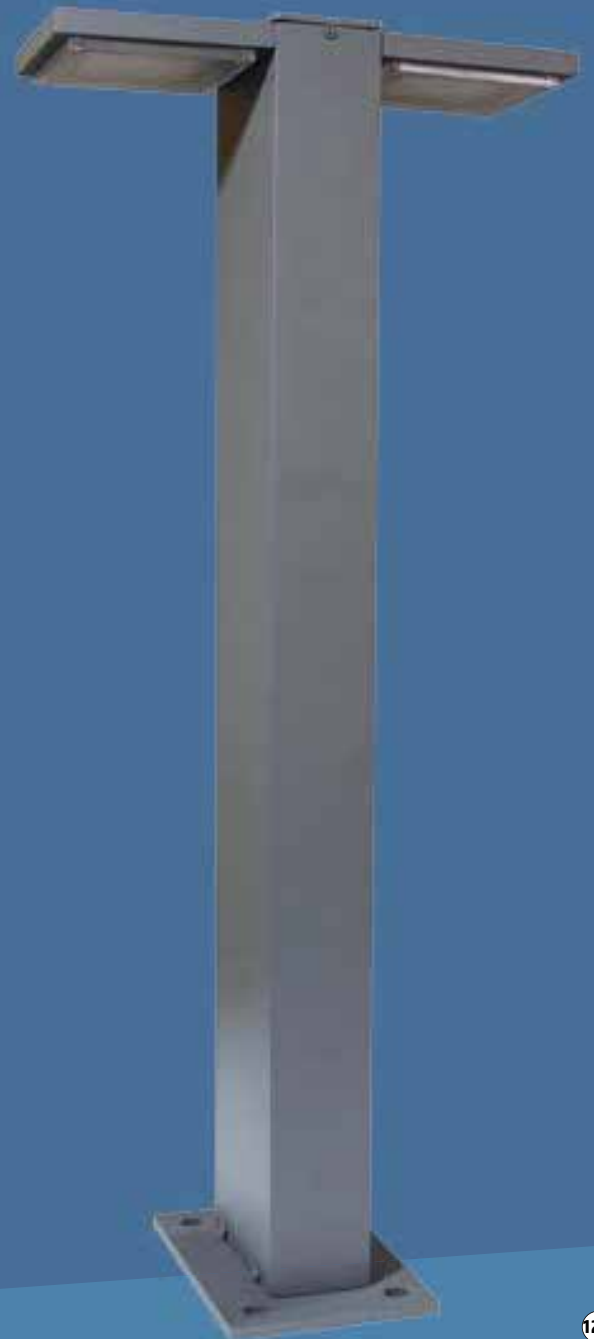
All dimensions are in mm

ORDERING DATA

Product Code	Product Description	Wattage (W)	Standard CCT (K)	Mounting height (M)
LF-B-0.6M-NOR9W	NORMA BOLLARD 0.6M 9W 3000K	9W	3000K	0.6M

PHYLL

PHYLL



PHYLL

LUMINAIRE CHARACTERISTICS

Optical Compartment Tightness Level	IP65
Ambient Temperature range	- 10°C to +40°C
Nominal Input Voltage / Frequency	240V / 50Hz
Electrical Class	I
Power Consumption (Wattage) range	12W
Housing Color	Graphite Grey (other RAL colours available on request)

LED SOURCE CHARACTERISTICS

Correlated Colour Temperature (CCT) Available	3000K/4000K/ 5700K (Tolerance as per ANSI limit)
LED	Mid Power LED
Colour Rendering Index (CRI)	>70

POWER SUPPLY

Input Voltage	150-270V
Surge Protection	4KV
Power Factor	>0.9
Safety/Protection	As per applicable IS
THD	<10%
External SPD	10KV

FEATURES

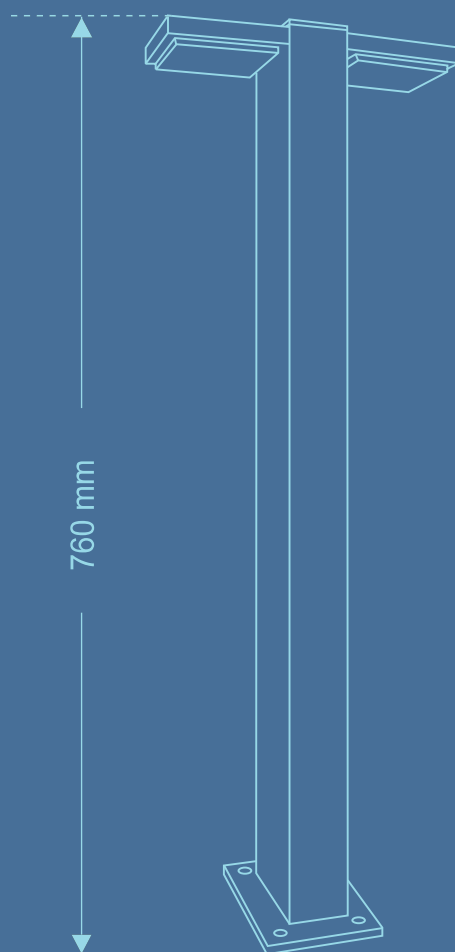
- The bollard is made of extruded aluminium shaft and cast Aluminium base plate
- It emits a pleasant, glare controlled light with its UV stabilised clear or opal optical grade Polycarbonate Diffuser
- Power discreet LEDs efficiently designed to provide soothing pathway light distribution

APPLICATIONS

- Area Lighting
- Parks and Garden lighting
- Architectural spaces
- Malls, Institutional campuses etc

PHYLL

DIMENSIONS



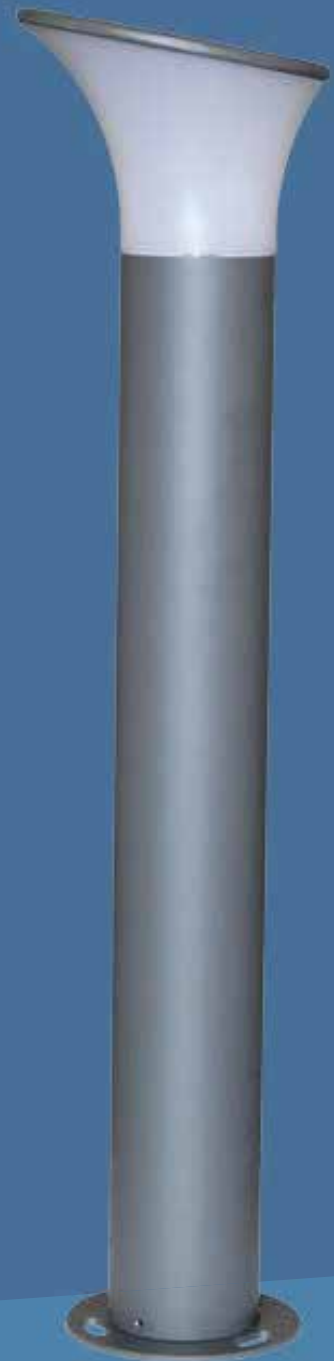
All dimensions are in mm

ORDERING DATA

Product Code	Product Description	Wattage (W)	Standard CCT (K)	Mounting height (M)
LF-B-0.76M-PHY12C	PHYLL BOLLARD 0.76M 12W 5700K	12W	5700K	0.76M

QUINN

QUINN



QUINN

LUMINAIRE CHARACTERISTICS

Optical Compartment Tightness Level	IP65
Ambient Temperature range	- 10°C to +40°C
Nominal Input Voltage / Frequency	240V / 50Hz
Electrical Class	I
Power Consumption (Wattage) range	9W
Housing Color	Graphite Grey (other RAL colours available on request)

LED SOURCE CHARACTERISTICS

Correlated Colour Temperature (CCT) Available	3000K/4000K/ 5700K (Tolerance as per ANSI limit)
LED	Mid Power LED
Colour Rendering Index (CRI)	>70

POWER SUPPLY

Input Voltage	150-270V
Surge Protection	4KV
Power Factor	>0.9
Safety/Protection	As per applicable IS
THD	<10%
External SPD	10KV

FEATURES

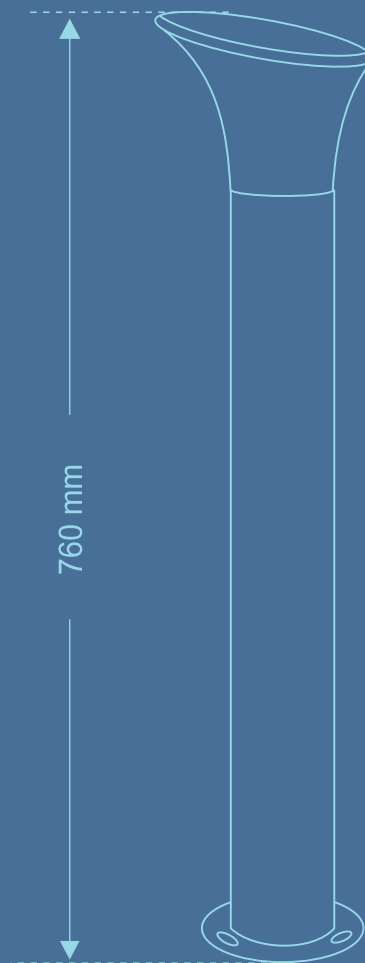
- The bollard is made of powder coated Aluminium shaft and cast aluminium base plate
- It emits a pleasant, glare controlled light with its UV stabilised clear or opal optical grade Polycarbonate Diffuser
- Power discreet LEDs with efficiently designed optics to provide soothing pathway light distribution

APPLICATIONS

- Area Lighting
- Parks and Garden lighting
- Architectural spaces
- Malls, Institutional campuses etc

QUINN

DIMENSIONS



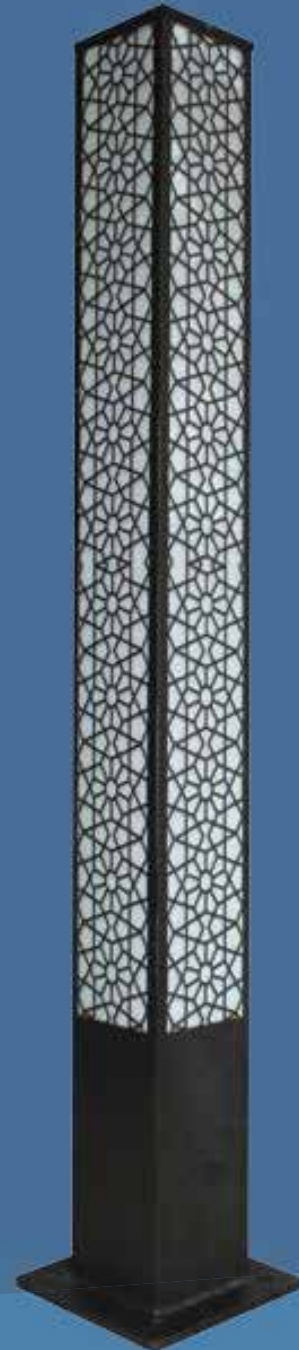
All dimensions are in mm

ORDERING DATA

Product Code	Product Description	Wattage (W)	Standard CCT (K)	Mounting height (M)
LF-B-0.76M-QUI9C	QUINN BOLLARD 0.76M 9W 5700K	9W	5700K	0.76M

SIGMA

SIGMA



SIGMA

LUMINAIRE CHARACTERISTICS

Optical Compartment Tightness Level	IP65
Ambient Temperature range	- 10°C to +40°C
Nominal Input Voltage / Frequency	240V / 50Hz
Electrical Class	I
Power Consumption (Wattage) range	40W/72W
Housing Color	Graphite Grey (other RAL colours available on request)

LED SOURCE CHARACTERISTICS

Correlated Colour Temperature (CCT) Available	3000K/4000K/5700K (Tolerance as per ANSI limit)
LED	Mid Power LED
Colour Rendering Index (CRI)	>70

POWER SUPPLY

Input Voltage	150-270V
Surge Protection	4KV
Power Factor	>0.9
Safety/Protection	As per applicable IS
THD	<10%
External SPD	10KV

FEATURES

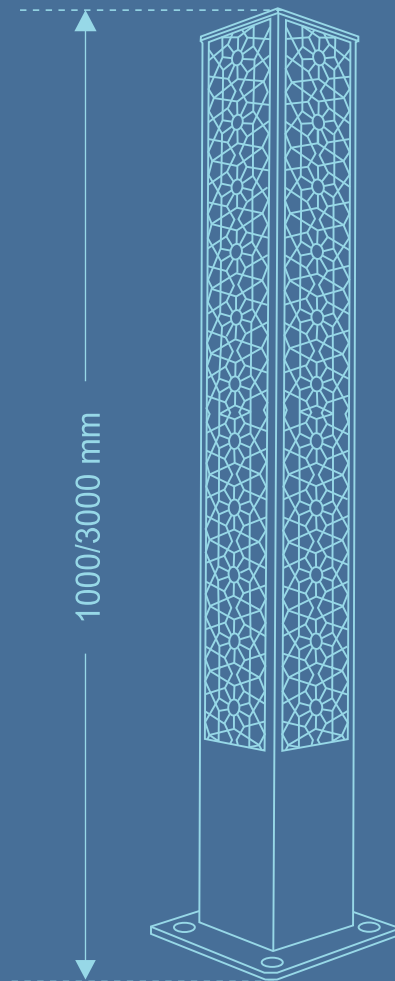
- The bollard is made of extruded Aluminium housing with laser cut design
- It emits a pleasant, glare controlled light with its UV stabilised clear optical grade Polycarbonate Diffuser
- Power discreet LEDs with efficiently designed optics to provide soothing pathway light distribution

APPLICATIONS

- Area Lighting
- Parks and Garden lighting
- Architectural spaces
- Malls, Institutional campuses etc

SIGMA

DIMENSIONS



All dimensions are in mm

ORDERING DATA

Product Code	Product Description	Wattage (W)	Standard CCT (K)	Mounting height (M)
LF-B-1M-SIG40W	SIGMA BOLLARD 1M 40W 3000K	40W	3000K	1M
LF-B-3M-SIG72W	SIGMA BOLLARD 3M 72W 3000K	72W	3000K	3M

SPICA

SPICA



SPICA

LUMINAIRE CHARACTERISTICS

Optical Compartment Tightness Level	IP65
Ambient Temperature range	- 10°C to +40°C
Nominal Input Voltage / Frequency	240V / 50Hz
Electrical Class	I
Power Consumption (Wattage) range	9W
Housing Color	Graphite Grey (other RAL colours available on request)

LED SOURCE CHARACTERISTICS

Correlated Colour Temperature (CCT) Available	3000K/4000K/ 5700K (Tolerance as per ANSI limit)
LED	Mid Power LED
Colour Rendering Index (CRI)	>70

POWER SUPPLY

Input Voltage	150-270V
Surge Protection	4KV
Power Factor	>0.9
Safety/Protection	As per applicable IS
THD	<10%
External SPD	10KV

FEATURES

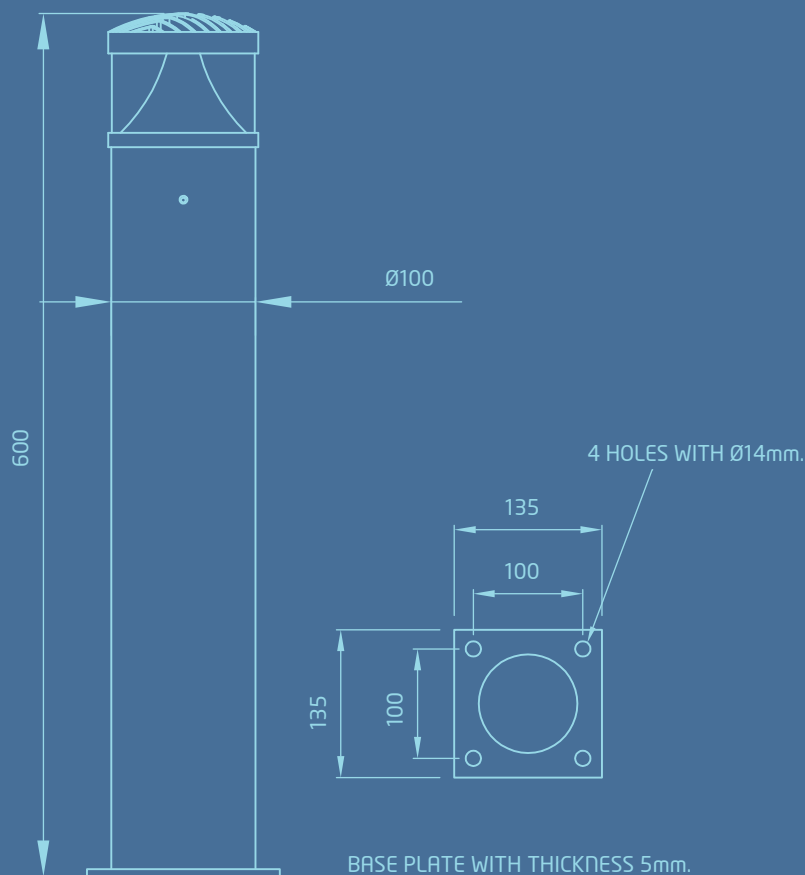
- The bollard is made of powder coated Aluminium housing
- It emits a pleasant, glare controlled light with its UV stabilised clear/opal grade PMMA diffuser
- Power discreet LEDs with efficiently designed optics to provide soothing pathway light distribution

APPLICATIONS

- Area Lighting
- Parks and Garden lighting
- Architectural spaces
- Jogging tracks/Parking spaces
- Malls, Institutional campuses etc

SPICA

DIMENSIONS



All dimensions are in mm

ORDERING DATA

Product Code	Product Description	Wattage (W)	Standard CCT (K)	Mounting height (M)
LF-B-0.6M-SPI9W	SPICA BOLLARD 0.6M 9W 3000K	9W	3000K	0.6M



Terms & Conditions

- Due to continuous improvements in the technology, the technical data are subject to vary; however, it is advised to check the details with Orient Electric advisor.
- Continuous design improvement is a routine practice at Orient.
- All the technical details of this Catalogue's products are the property of ORIENT ELECTRIC LTD. The company will not be liable for any consequences resulting from the use of this publication.
- Warranty void for LED fixtures including drivers, if individual points of installations are not provided with proper earthing.
- Data provided may change without any prior intimation. Customers are advised to reconfirm the data or product dimensions before purchase with our local offices.
- The actual flux output of the luminaire depends on the environmental conditions like temperature and may vary with specific configurations. Values are subject to $\pm 10\%$ allowance at nominal voltage.
- Application Images shown in the catalogue are for visualization only.

Orient Electric Limited

(a CK Birla Group company)

C-130, Sector 63, Noida-201301, U.P, India

Website: www.orientelectric.com

Orient Helpline No.: 1800 103 7574 (Toll-Free)

 www.facebook.com/orientelectric