

# SIDEBOARDS

Mounting instructions: *INGARÖ, ENSIÖ, SAMSÖ*

# A.S.HELSINGÖ

## Before you begin

Please read these instructions carefully before you start assembling your new sideboard:

- Our sideboards are easy to assemble, but you need to have basic skills in using tools such as an electric screwdriver and clamps.
- Make sure you have assembled the IKEA METOD cabinet frames correctly, according to IKEA's instructions.
- Do check carefully that the cabinet frames are straight to ensure a beautiful result.
- Assemble the sideboard on a smooth and even surface, preferably on a thin carpet close to the area you are planning to place it. We also recommend having a friend to help you to minimize the risk of damaging any of the parts.

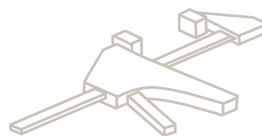
## Tools needed



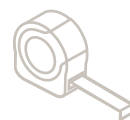
Electric screwdriver



Bits (T20)



2 x Clamps



Tape measure

## Sideboard styles

Our assembly instructions are style specific, not model specific. All the sideboard models, *INGARÖ*, *ENSIÖ*, and *SAMSÖ* come in three frame styles shown below. Each style has specific mounting instructions. You will find the style of your sideboard from the order confirmation.



PLAIN

pages 2-3



FRAME

pages 4-5



SPACER PANEL

pages 6-7

## We are happy to help you

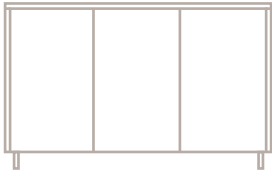
info@helsingo.com  
+358 20 718 1510

## Show how beautiful it looks

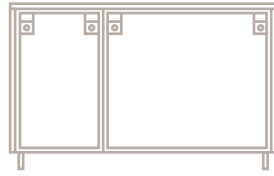
Share the A.S.Helsingö additions in your home using  
[@a.s.helsingo](#) and [#ashelsingo](#).

## How it will look

Please note that the design varies slightly depending on the selected model and the size of your sideboard.



FRONT VIEW



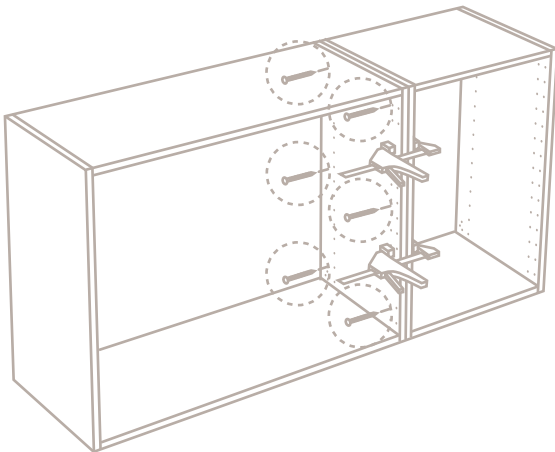
BACK VIEW

## Contents

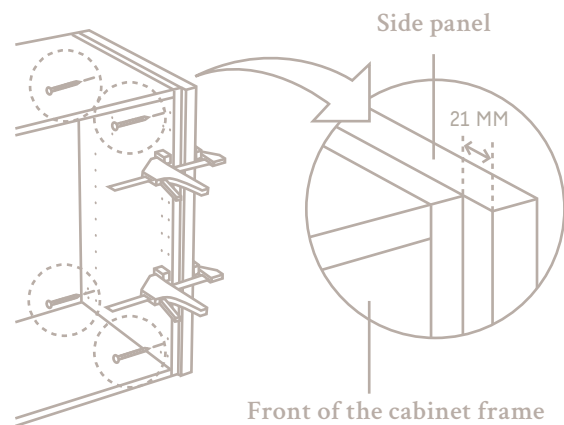
Width	120 cm	160 cm	200 cm
Screws (4 x 30 mm)	20	22	30
Doors	3	4	5
Side panels	2	2	2
Top panels	1	1	1

## Mounting

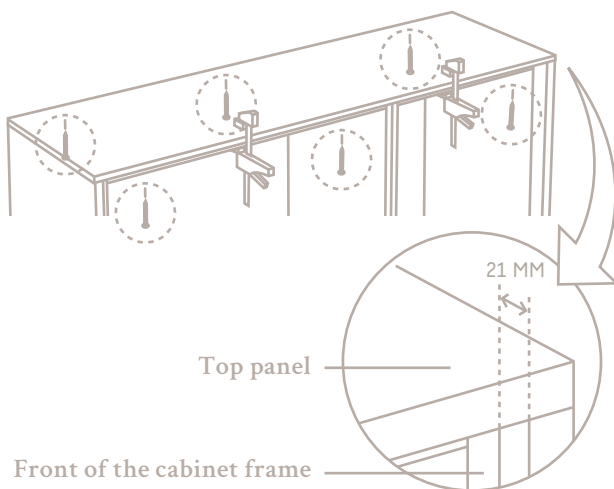
1. Attach the IKEA cabinet frames using six screws.



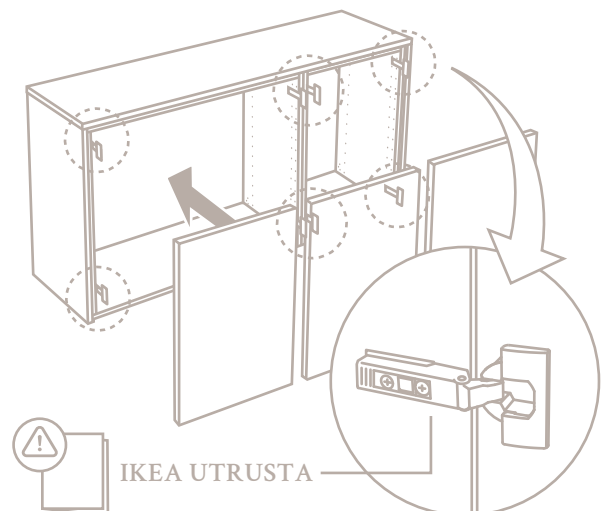
2. Install the side panels. They should stand out of the front of the cabinet frame by 21 mm.



3. Install the top panel. It should stand out of the front of the cabinet frame by 21 mm.



4. Install the door hinges following IKEA's instructions. Then attach the door fronts.



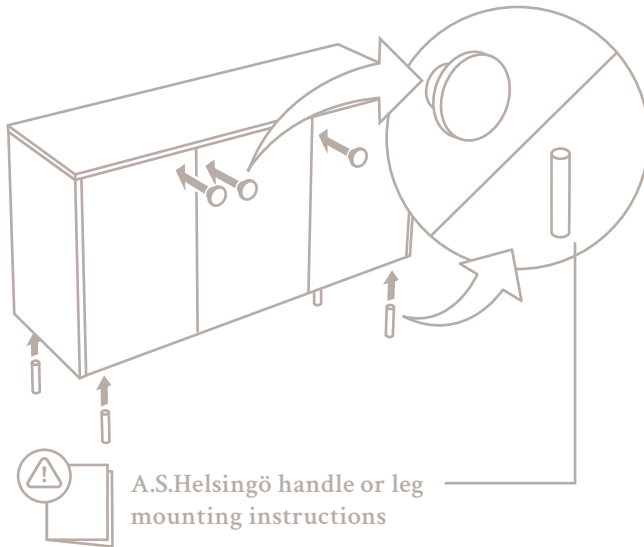
*We are happy to help you*

info@helsingo.com  
+358 20 718 1510

*Show how beautiful it looks*

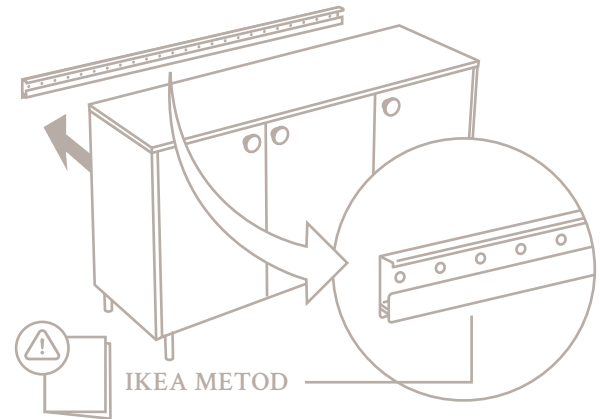
Share the A.S.Helsingö additions in your home using  
@a.s.helsingo and #ashelsingo.

5. If you have selected handles or legs, install them on your sideboard following the mounting instructions provided with the products.

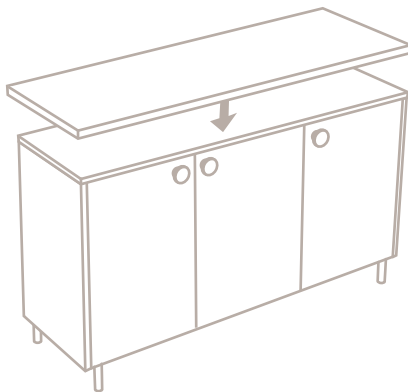


6. Fasten the suspension rail to the wall following IKEA's instructions. Then hang the sideboard on the rail.

NOTE! This is mandatory to ensure safety!



7. If you have selected a stonetop, place it on your sideboard. The stonetop will stay in place by its own weight.



## Safety

Please always follow the safety instructions that apply to your IKEA products. Always secure the cabinets to the wall using the METOD suspension rail. Also, make sure that the wall can support the weight.

## We are happy to help you

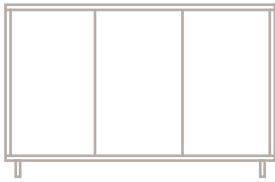
info@helsingo.com  
+358 20 718 1510

## Show how beautiful it looks

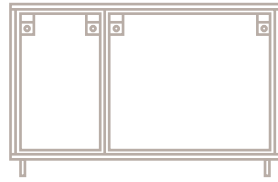
Share the A.S.Helsingö additions in your home using @a.s.helsingo and #ashelsingo.

## How it will look

Please note that the design varies slightly depending on the selected model and the size of your sideboard.



FRONT VIEW



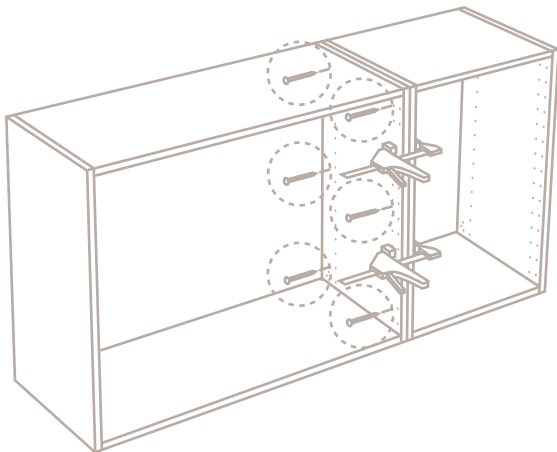
BACK VIEW

## Contents

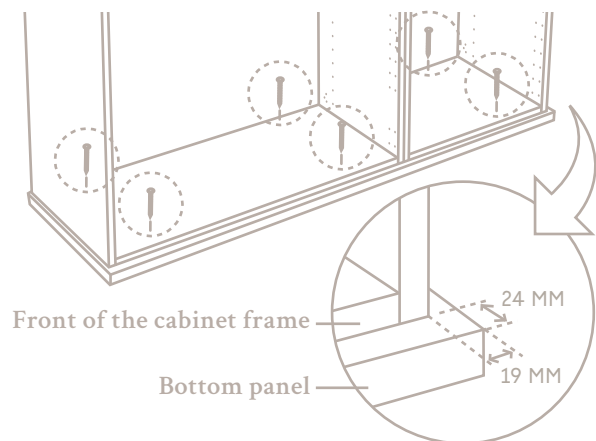
Width	120 cm	160 cm	200 cm
Screws (4 x 30 mm)	26	30	40
Doors	3	4	5
Side panels	2	2	2
Top panels	1	1	1
Bottom panels	1	1	1

## Mounting

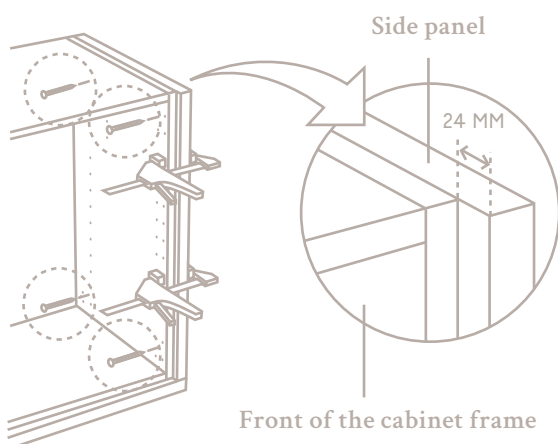
1. Attach the IKEA cabinet frames using six screws.



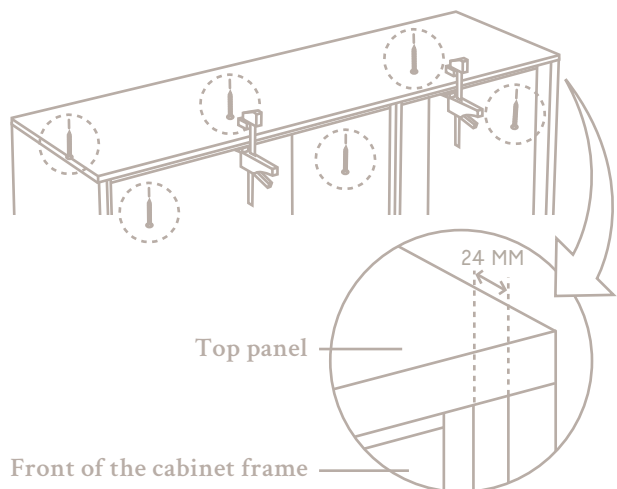
2. Install the bottom panel. It should stand out of the front of the cabinet frame by 24 mm.



3. Install the side panels. They should stand out of the front of the cabinet frame by 24 mm.



4. Install the top panel. It should stand out of the front of the cabinet frame by 24 mm.



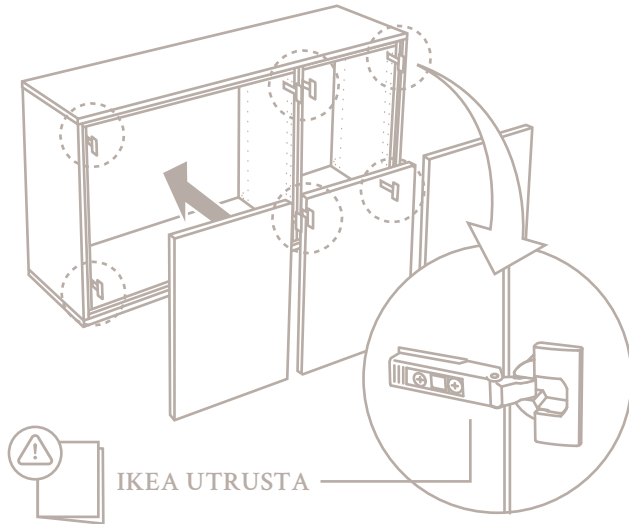
*We are happy to help you*

info@helsingo.com  
+358 20 718 1510

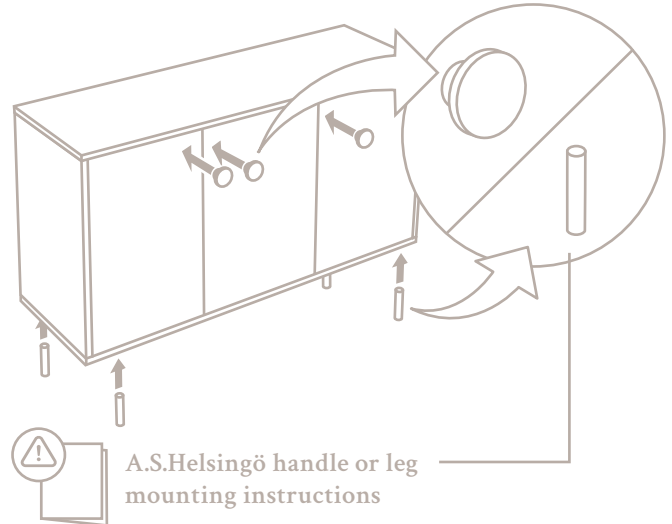
*Show how beautiful it looks*

Share the A.S.Helsingö additions in your home using  
@a.s.helsingo and #ashelsingo.

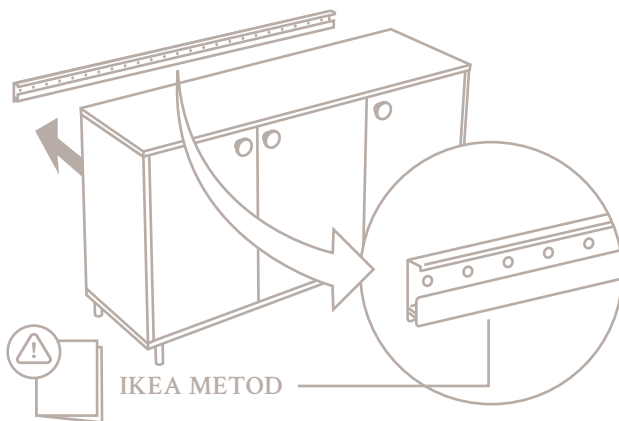
5. Install the door hinges following IKEA's instructions. Then attach the doors.



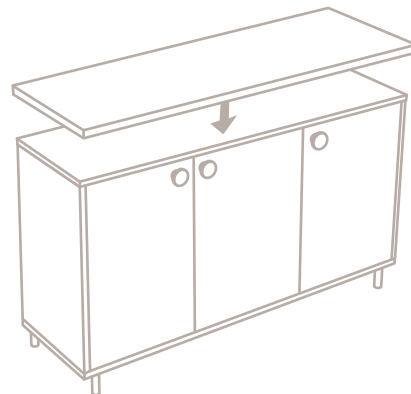
6. If you have selected handles or legs, install them on your sideboard following the mounting instructions provided with the products.



7. Fasten the suspension rail to the wall following IKEA's instructions.  
NOTE! This is mandatory to ensure safety!



8. If you have selected a stonetop, place it on your sideboard. The stonetop will stay in place by its own weight.



## Safety

Please always follow the safety instructions that apply to your IKEA products. Always secure the cabinets to the wall using the METOD suspension rail. Also, make sure that the wall can support the weight.

## We are happy to help you

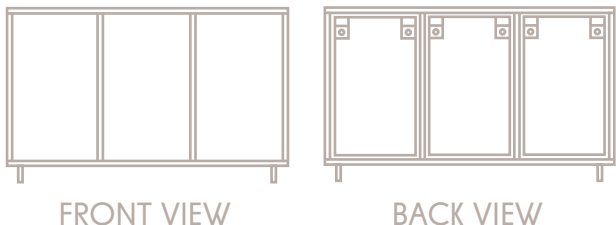
info@helsingo.com  
+358 20 718 1510

## Show how beautiful it looks

Share the A.S.Helsingö additions in your home using @a.s.helsingo and #ashelsingo.

## How it will look

Please note that the design varies slightly depending on the selected model and the size of your sideboard.



FRONT VIEW

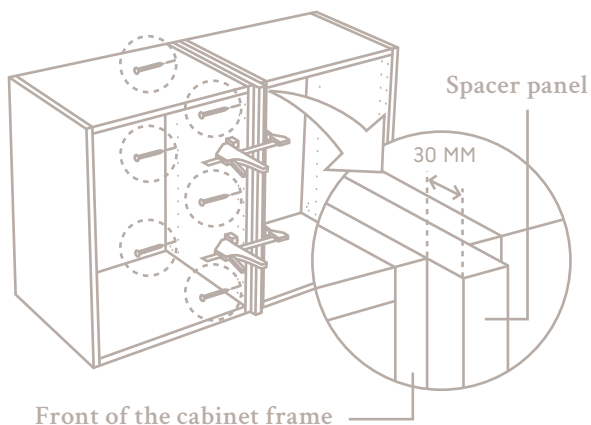
BACK VIEW

## Contents

Width	120 cm	160 cm	200 cm
Screws (4 x 30 mm)	20	24	28
Screws (4 x 50 mm)	12	18	24
Doors	3	4	5
Side panels	2	2	2
Top panels	1	1	1
Bottom panels	1	1	1
Spacer panels	2	3	4

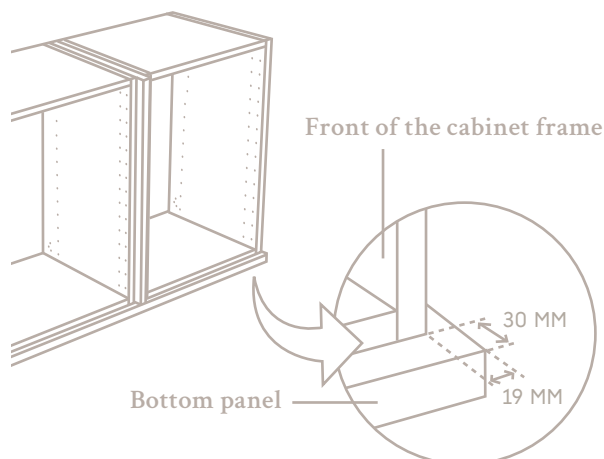
## Mounting

1. Attach the IKEA cabinet frames using six screws (50 mm). Install the spacer panels between the cabinets. They should stand out of the cabinet frame by 30 mm.



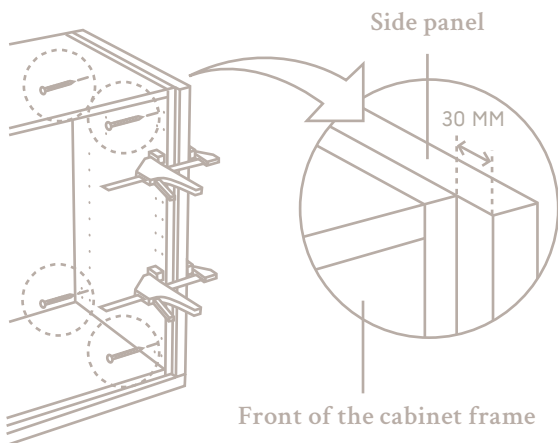
Front of the cabinet frame

2. Install the bottom panel. It should stand out of the front of the cabinet frame by 30 mm.



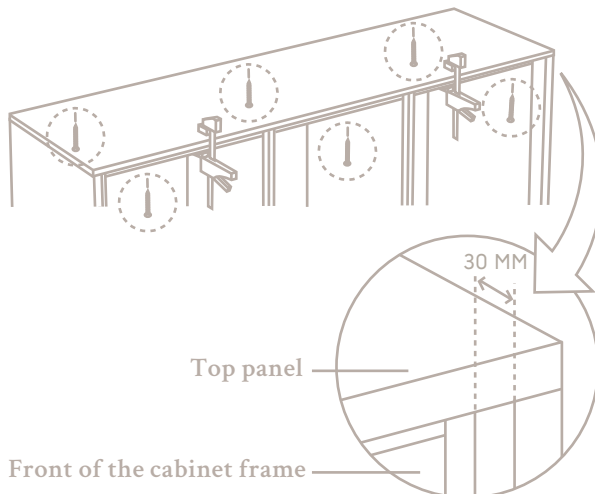
Bottom panel

3. Install the side panels. They should stand out of the front of the cabinet frame by 30 mm.



Front of the cabinet frame

4. Install the top panel. It should stand out of the front of the cabinet frame by 30 mm.



Top panel

Front of the cabinet frame

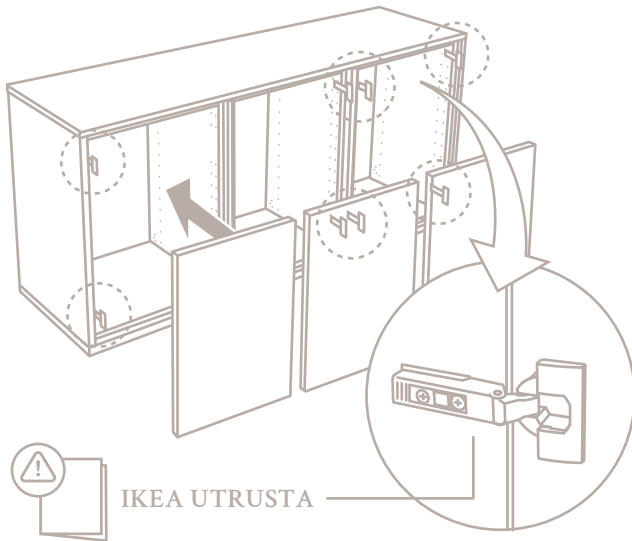
*We are happy to help you*

info@helsingo.com  
+358 20 718 1510

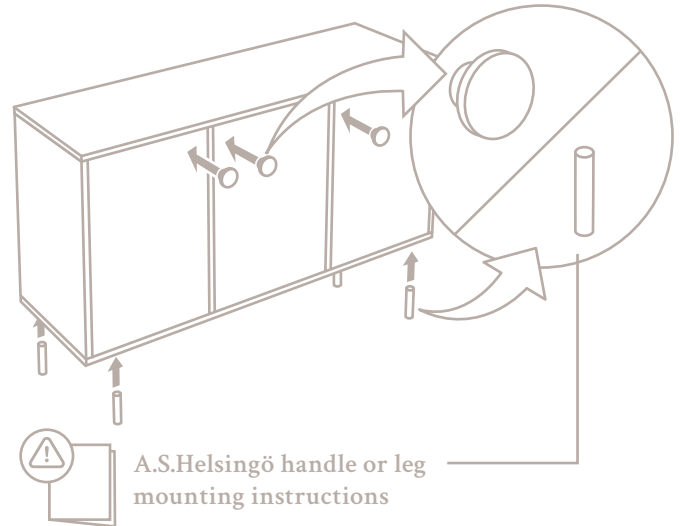
*Show how beautiful it looks*

Share the A.S.Helsingö additions in your home using  
@a.s.helsingo and #ashelsingo.

5. Install the door hinges following IKEA's instructions. Then attach the doors.

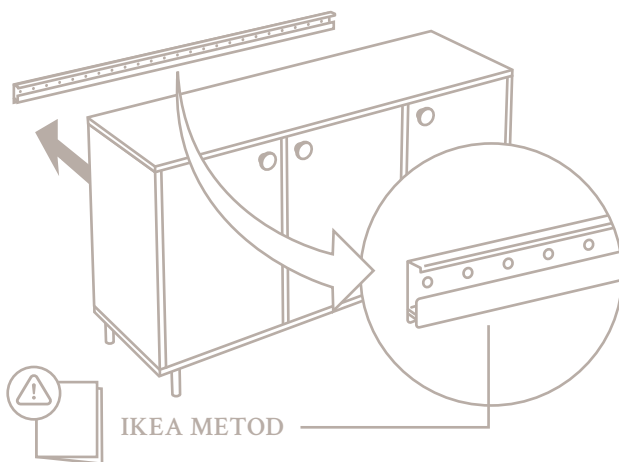


6. If you have selected handles or legs, install them on your sideboard following the mounting instructions provided with the products.

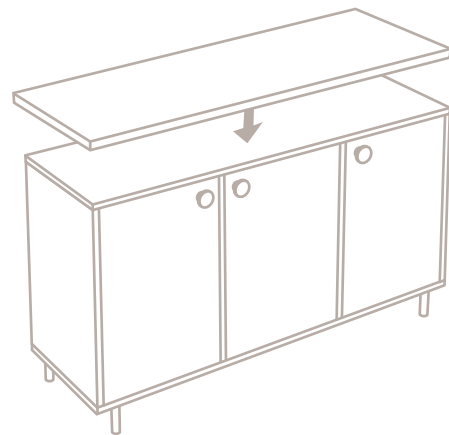


7. Fasten the suspension rail to the wall following IKEA's instructions. Then hang the sideboard on the rail.

NOTE! This is mandatory to ensure safety!



8. If you have selected a stonetop, place it on your sideboard. The stonetop will stay in place by its own weight.



## Safety

Please always follow the safety instructions that apply to your IKEA products. Always secure the cabinets to the wall using the METHOD suspension rail. Also, make sure that the wall can support the weight.

*We are happy to help you*

info@helsingo.com  
+358 20 718 1510

*Show how beautiful it looks*

Share the A.S.Helsingö additions in your home using @a.s.helsingo and #ashelsingo.