

# **STINGER**

GOLF PRODUCTS

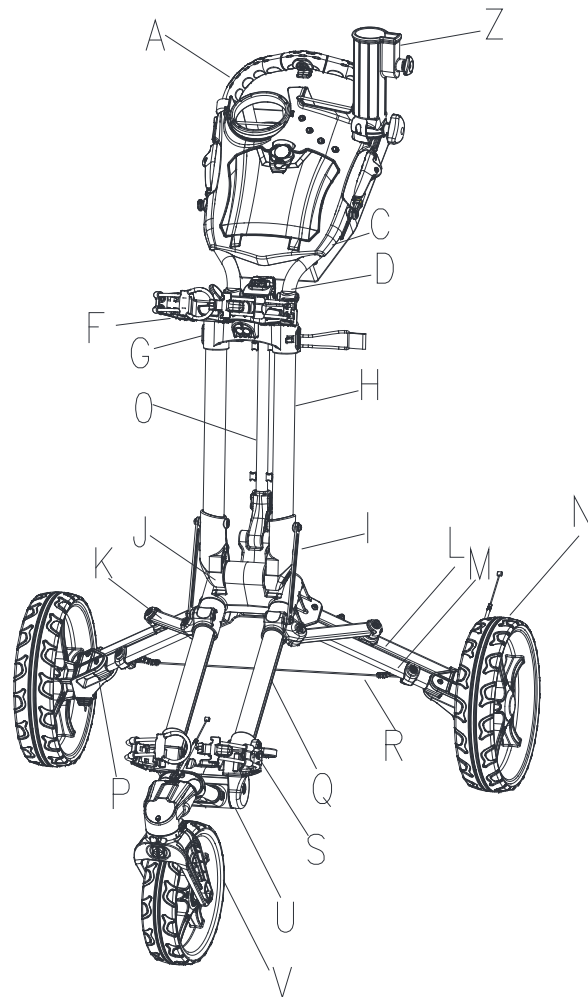
## **SG-6**

### **OPERATING INSTRUCTIONS AND USER MANUAL**



# PARTS LIST

- A TPE HANDLE GRIP
- B UMBRELLA HOLDER BASE
- C SCORECARD HOLDER
- D HANDLE
- E ACCESSORY STORAGE BAG
- F UPPER BAG BRACKET
- G ADJUSTABLE HANDLE MECHANISM
- H MAIN FRAME
- I SLIDE CONNECTING RODS
- J LEG BRACKET
- K SIDE CONNECTING ROD
- L 4 HOLES LEG FRAME
- M 2 HOLES LEG FRAME
- N REAR WHEEL
- O CONNECTING RODS
- P LEFT WHEEL LOCKING MECHANISM
- P1 RIGHT WHEEL LOCKING MECHANISM
- Q LOWER FRAME
- R ANTI-SPLAY WIRE
- S LOWER BAG BRACKET
- T PUSH BUTTOM SYSTEM
- T1 DRINK HOLDER
- U LOWER JOINT
- V FRONT WHEEL
- W SAND HOOK
- X LEVER FOR HANDLE BRAKE
- Y LEVER FOR SWIVEL FRONT WHEEL
- Z UMBRELLA HOLDER



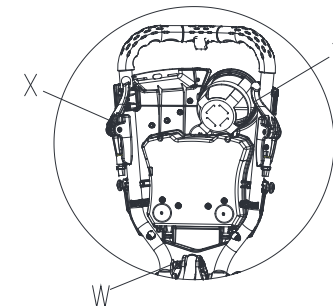
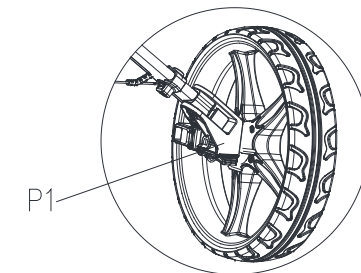
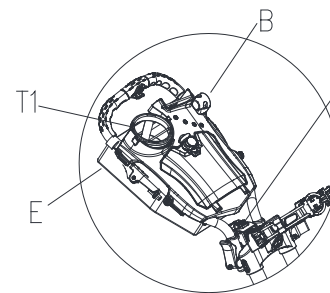
# MAINTENANC

To clean the buggy, wipe with a soft, dry cloth. Avoid using harsh chemicals to clean. Lubricate moving parts every 6 months.

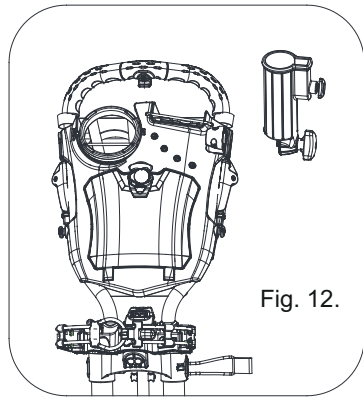
## Warning:

For your own safety, please read and understand the following warnings and keep this user guide for future reference.

1. Always make sure the buggy is fully extended and locked before use.
2. Always make sure the buggy is folded and locked properly before lifting or transporting.
3. Do not run while using this product.
4. Do not use accessories other than those designed for use with this cart.
5. Keep all packing materials away from children and recycle where possible or where required by law.

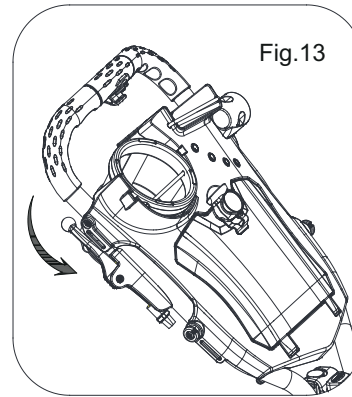


## UMBRELLA HOLDER

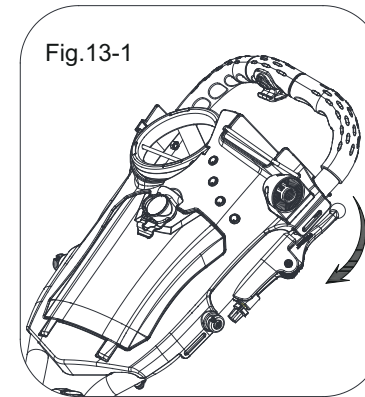


To put in use:  
Simply attach the umbrella holder  
onto the buggy as per Fig. 12.

## USING THE 360 SWIVEL FRONT WHEEL SYSTEM & HAND BRAKE

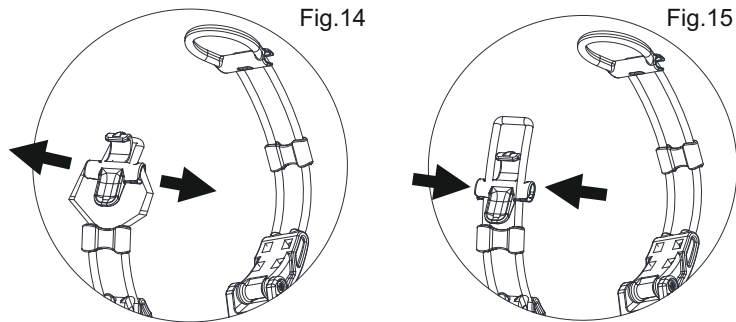


To activate the 360 Swivel Wheel,  
push the grey lever down.  
To put the 360 wheel into fixed  
wheel mode, pull the handle up  
as per Fig.13.



To activate the brake, push the  
grey hand brake lever down.  
To disengage the brake, pull the  
handle up as per Fig. 13-1.

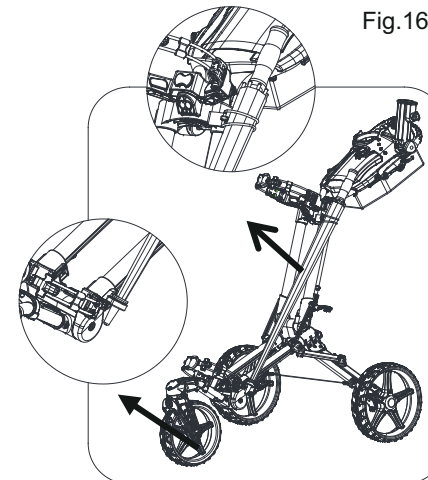
## BAG HOLDER STRAP LENGTH ADJUSTMENT



Refer to Fig. 14 & Fig.15.

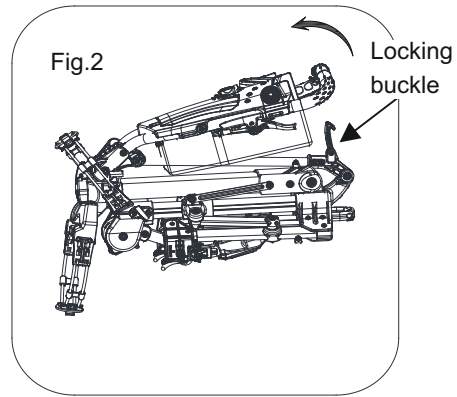
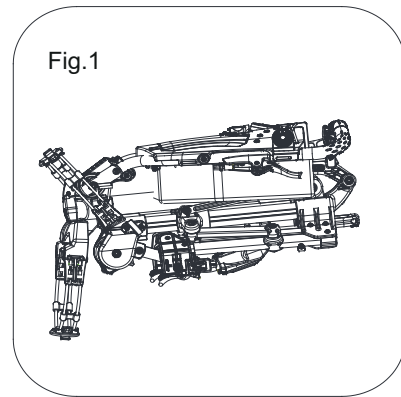
1. Pull the elastic strap out of the strap buckle as per fig. 14.
2. Adjust the strap to the desired length.
3. Push the elastic strap back to the strap buckle as per fig. 15.

## USING THE UMBRELLA HOLSTER

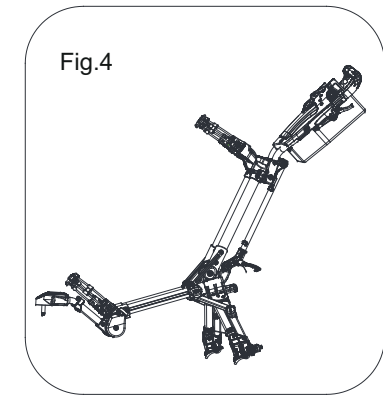
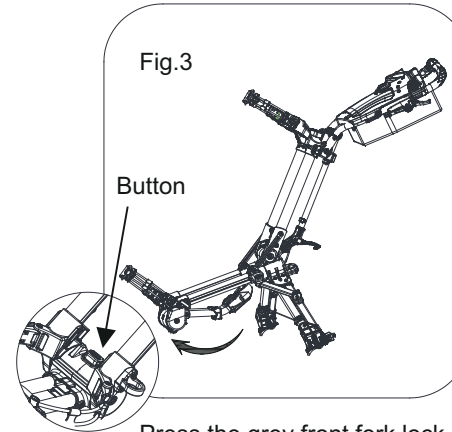


Pass the umbrella through the  
elasticised loop until the spike  
on the end of the umbrella fits  
snugly into the tip holder as per  
Fig 16.

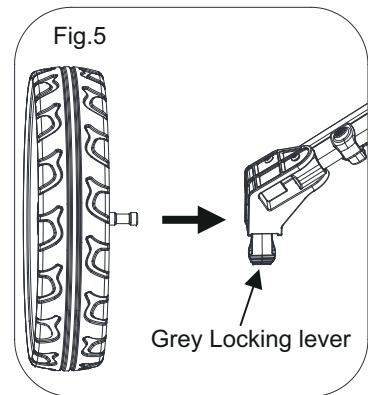
## SETTING UP THE BUGGY



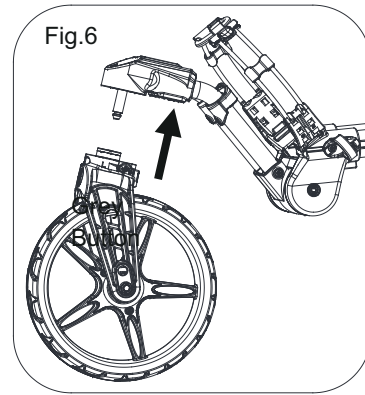
Push the locking buckle away from the handle and pull the handle to open the frame as per Fig. 2.



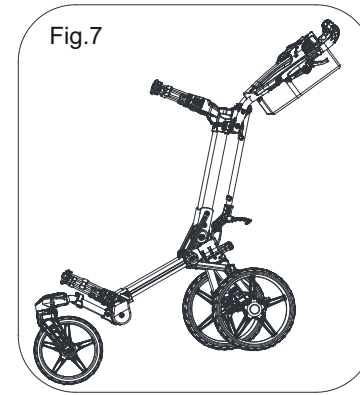
Press the grey front fork lock button to unlock the front forks as per Fig. 3/4.



Release the grey wheel locking lever, insert the wheel axel into the wheel holder completely and then tighten the grey locking lever in Fig.5.



Press the grey button and insert the front wheel until locked in place as per Fig.6.



The buggy is now assembled as per Fig.7.

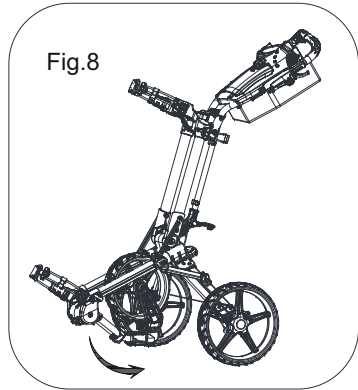


## FOLDING DOWN THE BUGGY

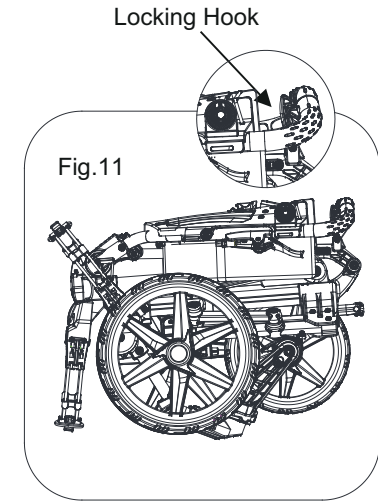
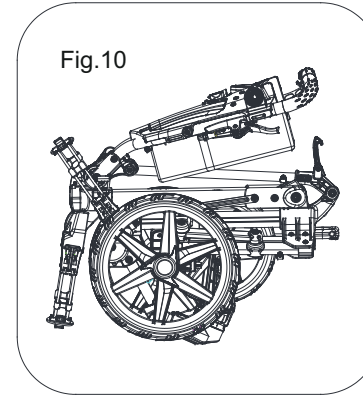
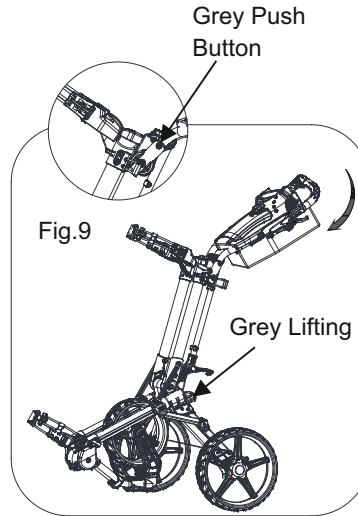
### Before folding down the buggy:

Move the 360° lever to the OFF position & the Brake lever to the ON Position.

You must raise & fix the Handle Height to the highest setting.

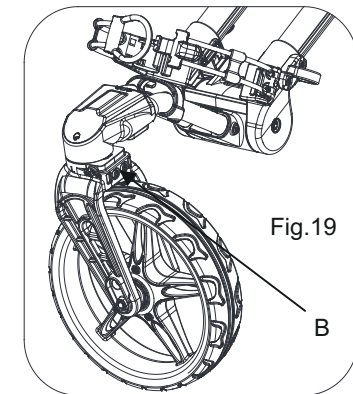
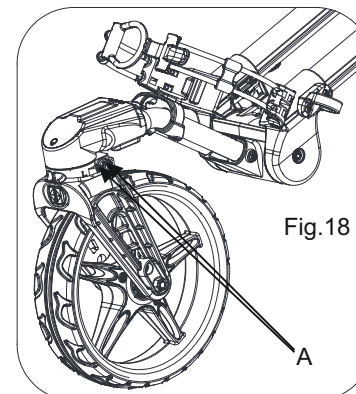
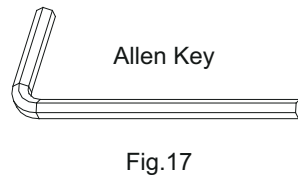
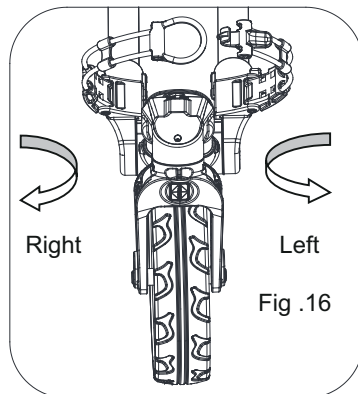


Press the grey 'Push' button and fold the front wheel under the frame as per Fig. 8



Press the Grey Push Button to unlock the frame. Hold the Grey lifting handle with one hand and with the other hand, grab the buggy top handle and fold buggy together until locking hook is locked in place as per Fig.9/10/11.

## FRONT WHEEL ADJUSTMENT MECHANISM



### FRONT WHEEL ADJUSTMENT MECHANISM:

If the buggy veers to the RIGHT: use the Allen key (as shown in Fig. 17) to loosen the 2 screws (A) on the backside of the front wheel frame, as shown in Fig. 18. Then adjust the front wheel to center position by turning the screw (B) counterclockwise, as in Fig. 19. Tighten the 2 screws (A) after the front wheel alignment is done.

If the buggy veers to the LEFT: use the Allen key(as shown in Fig. 17) to loosen the 2 screws (A) on the backside of the front wheel frame, as shown in Fig. 18. Then adjust the front wheel to center position by turning the screw (B) clockwise, as in Fig. 19. Tighten the 2 screws (A) after the front wheel alignment is done.

# ***STINGER***

***GOLF PRODUCTS***

***THE NEW CHALLENGER IN HIGH QUALITY GOLF EQUIPMENT***

---



[www.stingergolf.com.au](http://www.stingergolf.com.au)



[info@stingergolf.com.au](mailto:info@stingergolf.com.au)