

STINGER

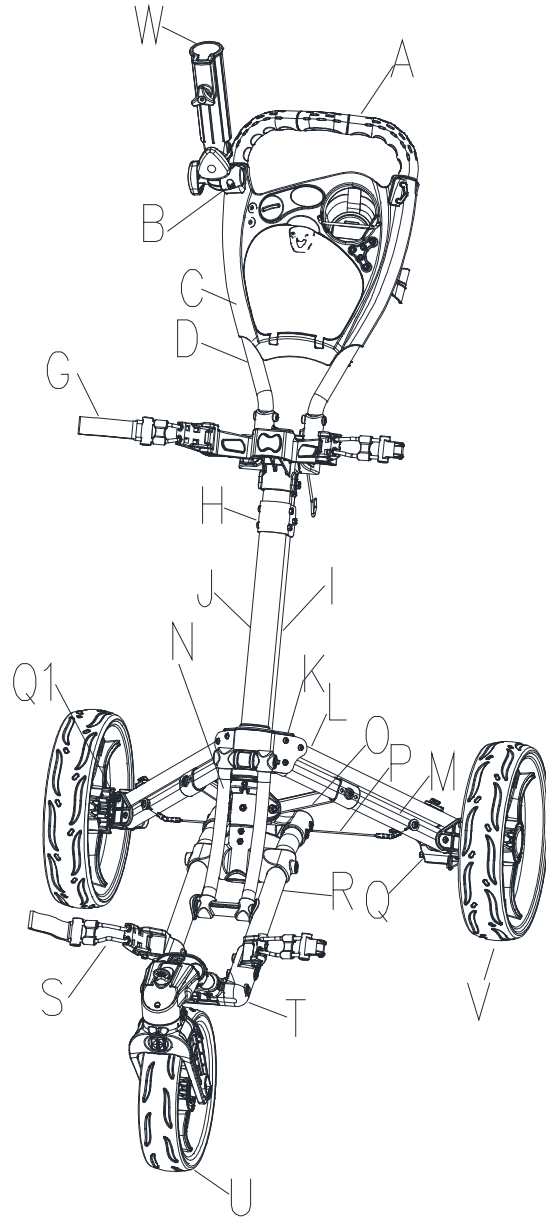
GOLF PRODUCTS

SG-3 VII OPERATING INSTRUCTIONS & USER MANUAL



PARTS LIST

- A Ergonomic Handle
- B Umbrella Holder Base
- C Scorecard Holder
- D Handle Tube
- E Push Button System
- F Handle Height Lock
- G Upper Adjustable Bag Straps
- H Joint
- I Connecting rods
- J Main Upper Frame Tube
- K Leg bracket
- L Leg Frame with 2 Holes
- M Leg Frame with 4 Holes
- N Sliding Connecting Rods
- O Weight Stabiliser
- P Anti-Splay Wire
- Q Right Wheel Locking Mechanism
- Q1 Left Wheel Locking Mechanism
- R Main Lower Frame
- S Adjustable Bag Elastic Strap
- T Lower Bag Holder Bracket
- U Front Wheel Assembly
- V Rear Wheel Assembly
- W Umbrella Holder
- X Rear Storage Cooler Bag
- Y Sand Bucket Hook



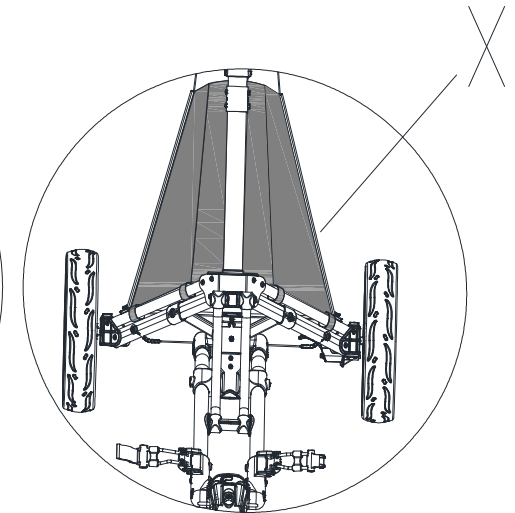
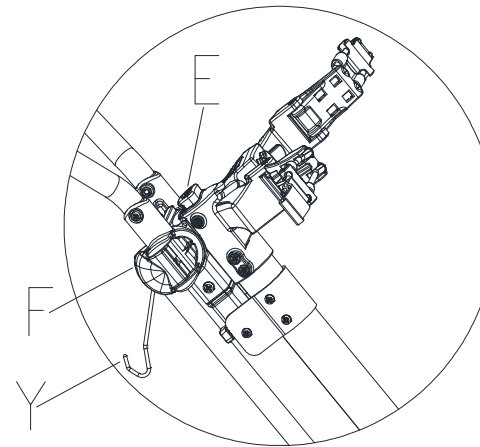
MAINTENANCE

To clean the buggy, wipe with a soft, damp cloth. Avoid using harsh chemicals to clean. Lubricate moving parts every 6 months.

Warning:

For your own safety, please read and understand the following warnings and keep this user guide for future reference.

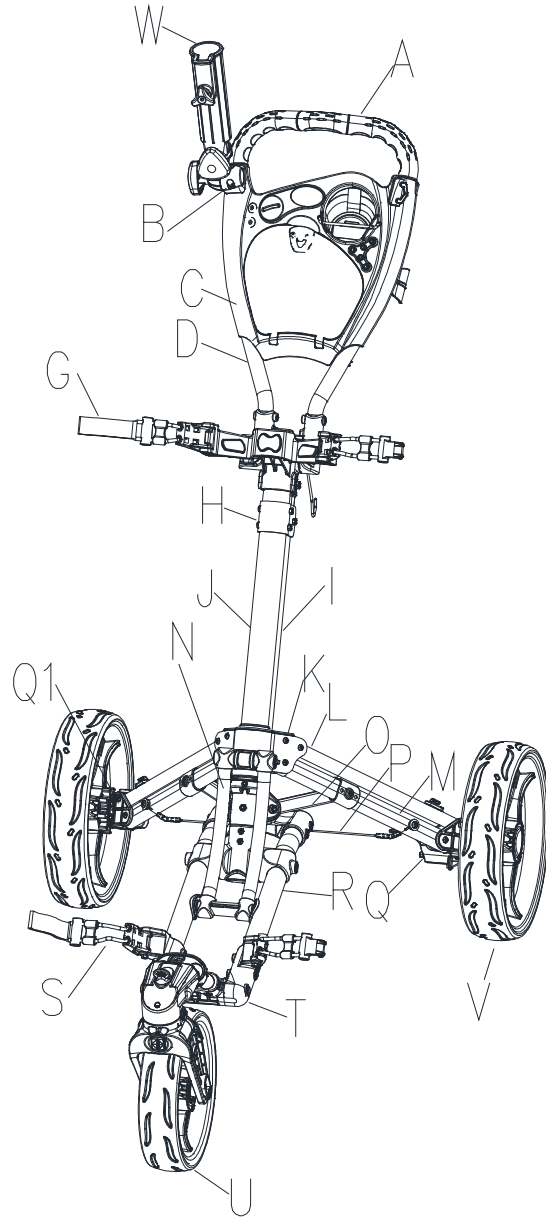
1. Always make sure the buggy is fully extended and locked before use.
2. Always make sure the buggy is folded and locked properly before lifting or transporting.
3. Do not run while using this product.
4. Do not use accessories other than those designed for use with this cart.
5. Keep all packing materials away from children and recycle where possible or where required by law.



338076

PARTS LIST

- A Ergonomic Handle
- B Umbrella Holder Base
- C Scorecard Holder
- D Handle Tube
- E Push Button System
- F Handle Height Lock
- G Upper Adjustable Bag Straps
- H Joint
- I Connecting rods
- J Main Upper Frame Tube
- K Leg bracket
- L Leg Frame with 2 Holes
- M Leg Frame with 4 Holes
- N Sliding Connecting Rods
- O Weight Stabiliser
- P Anti-Splay Wire
- Q Right Wheel Locking Mechanism
- Q1 Left Wheel Locking Mechanism
- R Main Lower Frame
- S Adjustable Bag Elastic Strap
- T Lower Bag Holder Bracket
- U Front Wheel Assembly
- V Rear Wheel Assembly
- W Umbrella Holder
- X Rear Storage Cooler Bag
- Y Sand Bucket Hook



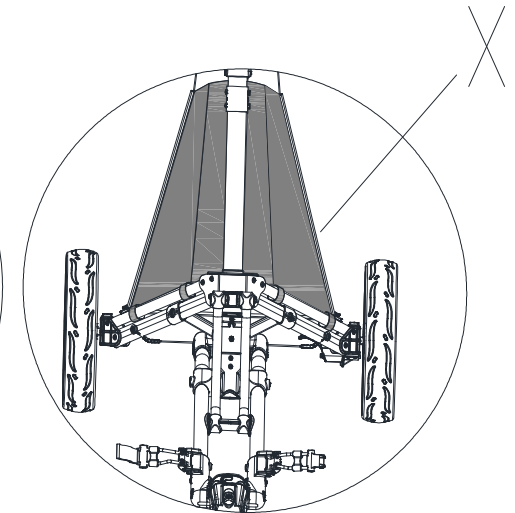
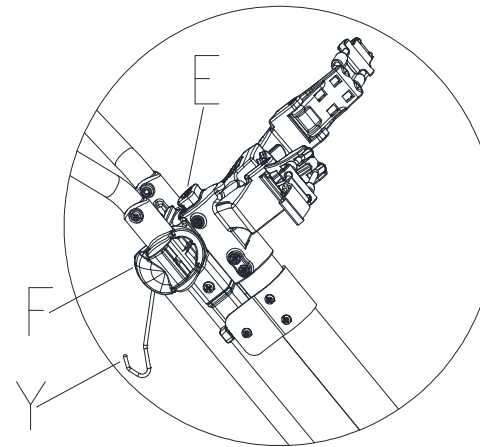
MAINTENANCE

To clean the buggy, wipe with a soft, damp cloth. Avoid using harsh chemicals to clean. Lubricate moving parts every 6 months.

Warning:

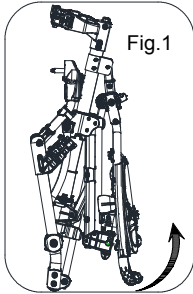
For your own safety, please read and understand the following warnings and keep this user guide for future reference.

1. Always make sure the buggy is fully extended and locked before use.
2. Always make sure the buggy is folded and locked properly before lifting or transporting.
3. Do not run while using this product.
4. Do not use accessories other than those designed for use with this cart.
5. Keep all packing materials away from children and recycle where possible or where required by law.

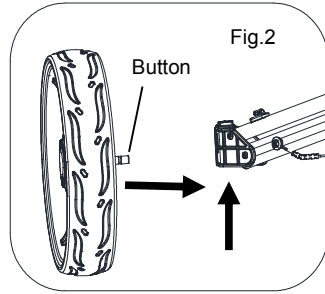


338076

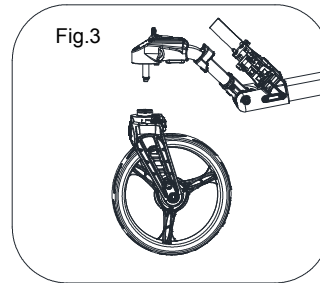
ASSEMBLE THE BUGGY



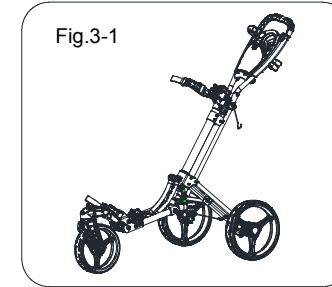
Pull the handle up until you hear the buggy 'Click' into position and the handle is locked. as in Fig.1.



Press the button and insert the rear wheels on both sides as in Fig.2.

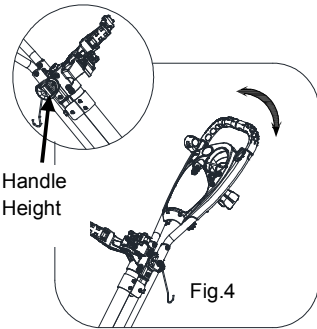


Attach the front wheel as in Fig.3.



The buggy is now assembled as per Fig.3-1.

FOLDING DOWN THE BUGGY



Handle Height

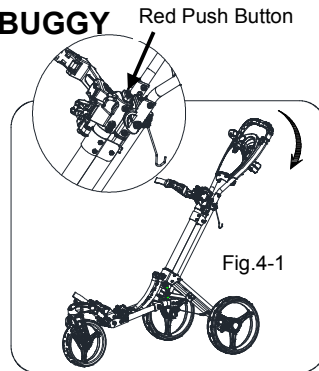


Fig.4-1

Press the Red Push Button with one hand and with the other hand push the handle downward as in Fig.4-1 to completely fold down the buggy.

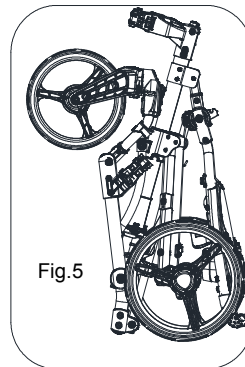
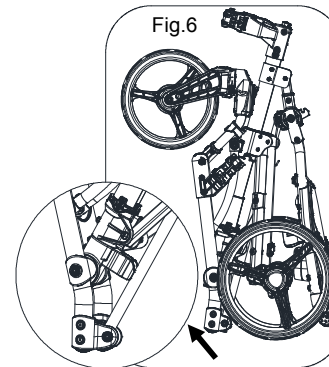


Fig.5 Folded position.



The connecting rod will insert into the plastic bracket when folding is completed as in Fig.6.

UMBRELLA HOLDER

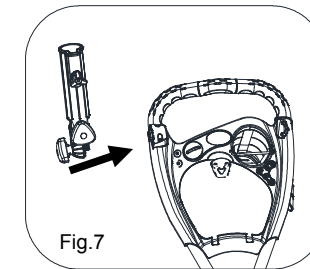


Fig.7

Simply attach the umbrella holder onto the buggy by tightening the screw as in Fig. 7.

OPERATING THE BRAKE

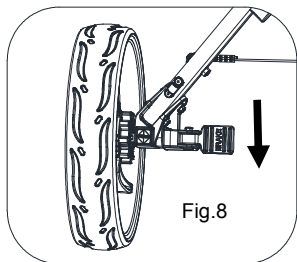


Fig.8

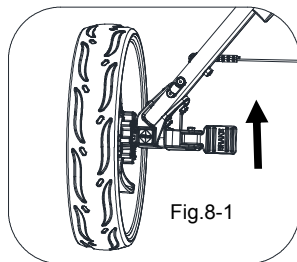


Fig.8-1

Push on the foot brake pedal to lock the rear wheel and lift up to release the foot brake as in Figs Fig.8&8-1.

ACTIVATING 360° SWIVEL FRONT WHEEL

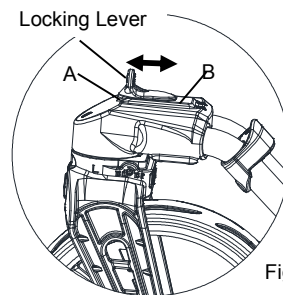


Fig.9

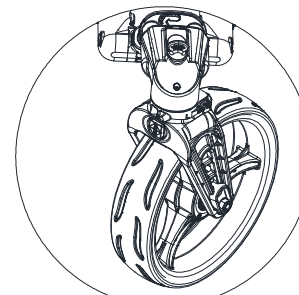


Fig.10

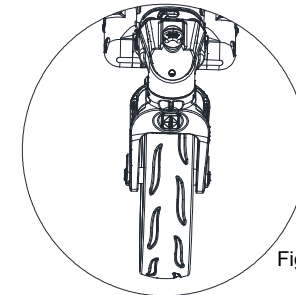


Fig.11

The locking lever can move forward & backwards as Fig.9, the wheel can swivel when the locking lever is on the "A" position as Fig.10, and the wheel can go straight line when the locking lever is on the "B" position as Fig.11.

FRONT WHEEL ADJUSTMENT MECHANISM

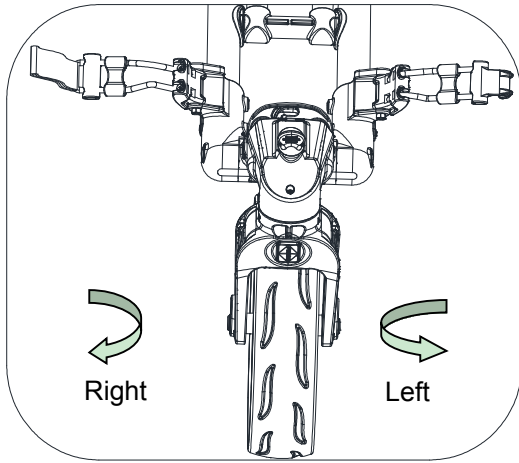


Fig.1

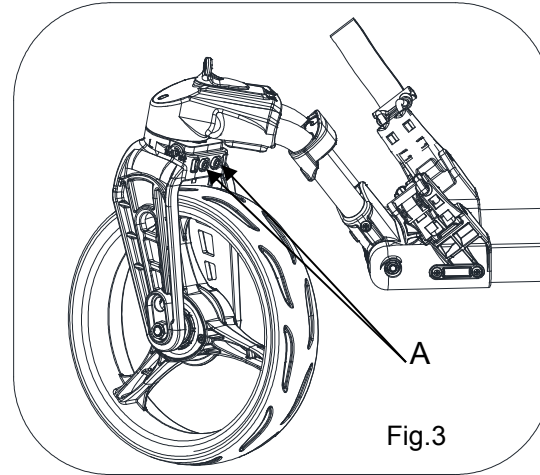
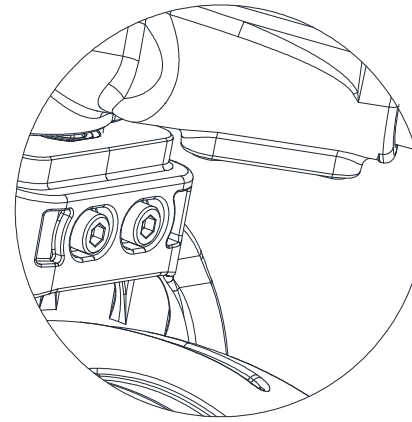


Fig.3



Allen Key

Fig.2

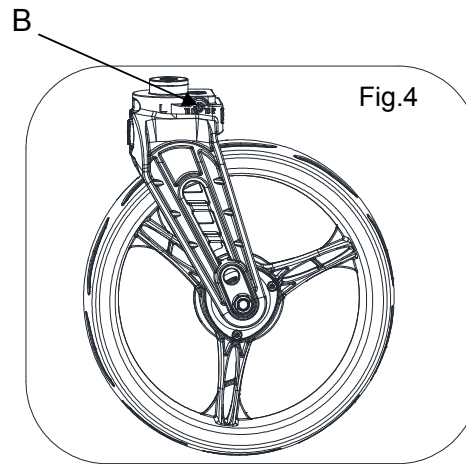
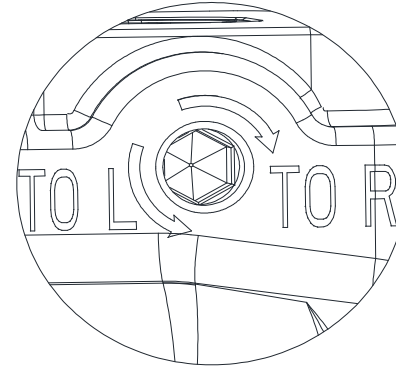


Fig.4

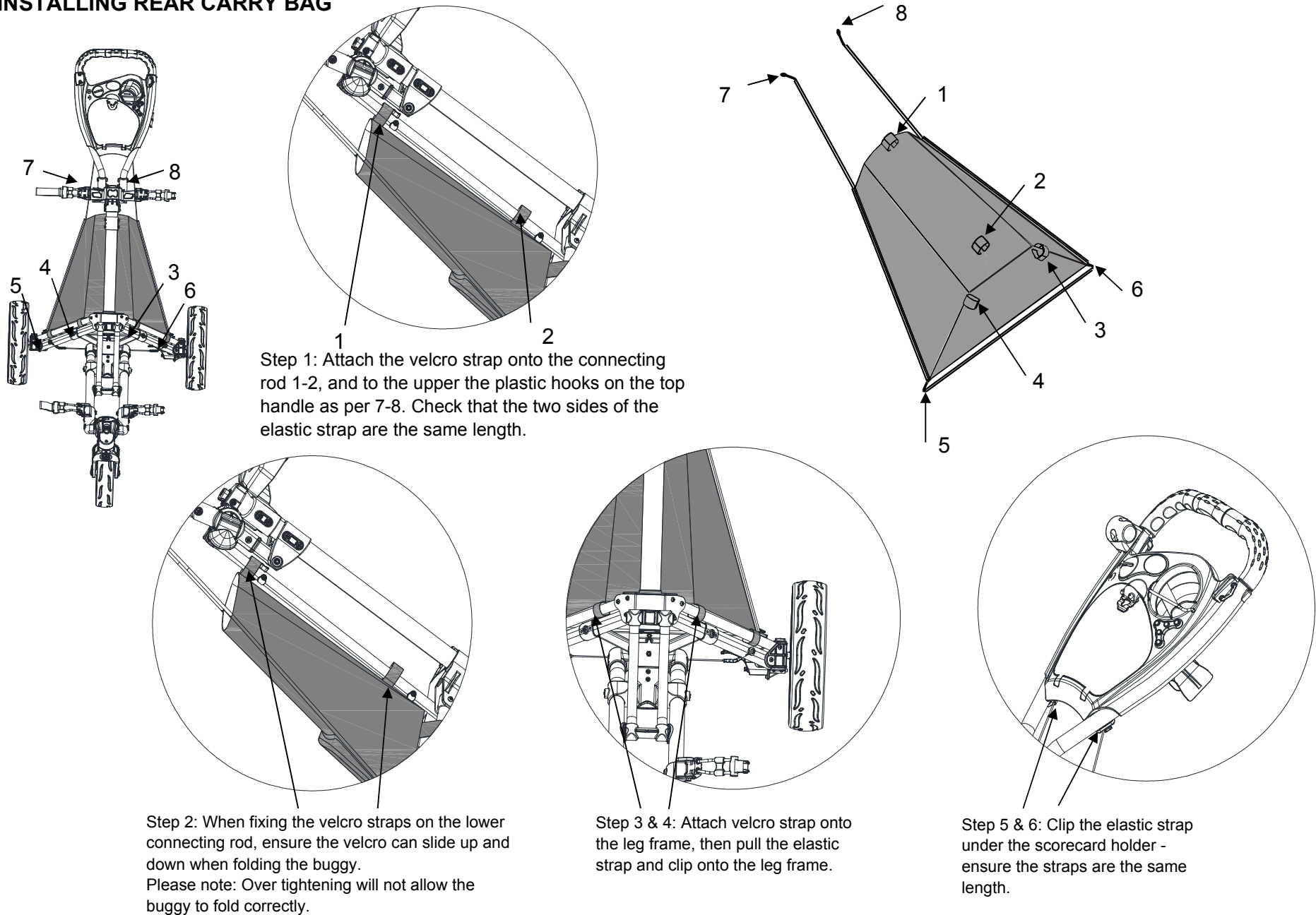


FRONT WHEEL ADJUSTMENT MECHANISM:

If the buggy veers to LEFT: use the Allen Key (as shown in Fig. 2) to loosen the 2 screws (A) on the backside of the front wheel frame as shown in Fig. 3. Then turning the screw (B) clockwise (TO R) as in Fig.4 to align the front wheel. Tighten the 2 Screws (A) after the alignment is done.

If the buggy veers to RIGHT: use the Allen Key (as shown in Fig.2) to loosen the 2 screws (A) on the backside of the front wheel frame as shown in Fig.3. Then turning the screw (B) counterclockwise (TO L) as in Fig. 4. To align the front wheel. Tighten the 2 Screws (A) after the front wheel alignment is done.

INSTALLING REAR CARRY BAG





**THE NEW CHALLENGER IN HIGH QUALITY
GOLF EQUIPMENT**

03 5924 6056

www.stingergolf.com.au

info@stingergolf.com.au