

STINGER

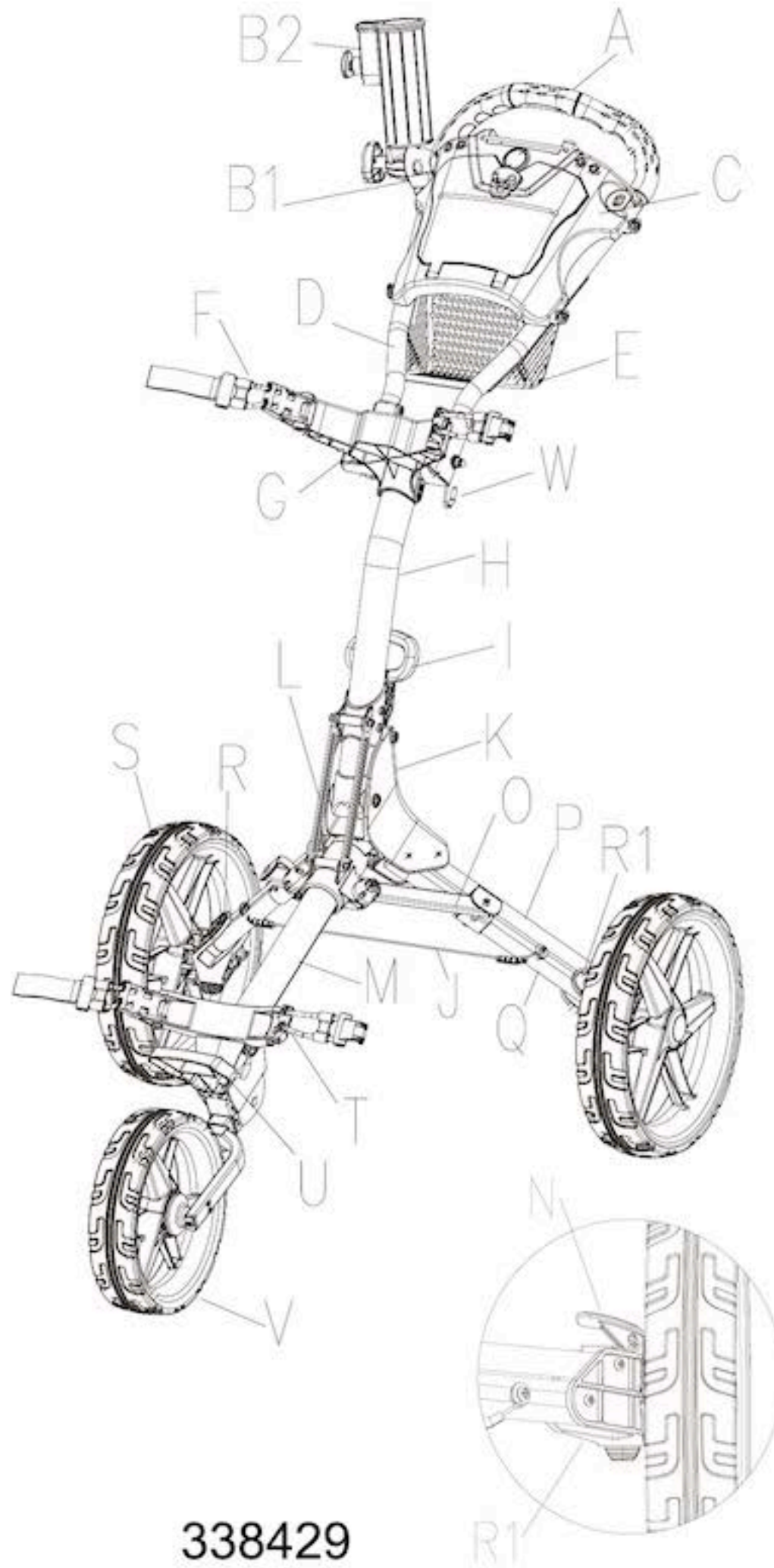
GOLF PRODUCTS



SG-2
COMPACT

PART

- A Ergonomic grip
- B1 Umbrella holder mount
- B2 Umbrella holder
- C Scorecard holder
- D Handle tube
- E Net bag
- F Upper bag holder bracket
- G Adjustable handle mechanism
- H Main upper frame tube
- I Folding / locking lever
- J Anti-splay wire
- K Leg bracket
- L Connecting rods
- M Main lower frame tube
- N Foot brake
- O Stabilizer tube
- P 2 holes leg frame
- Q 4 holes leg frame
- R Right wheel locking mechanism
- R1 Left wheel locking mechanism
- S Rear wheel
- T Lower bag bracket
- U Bottom bag holder bracket
- V Front wheel assembly
- W Sand hook



338429

MAINTENANCE

To clean the cart, wipe with a soft, dry cloth. Car polish may be used to maintain finish. Lubricate moving parts every 6 months.

Warning:

For your own safety, please read and understand these warnings and keep this user guide for future reference.

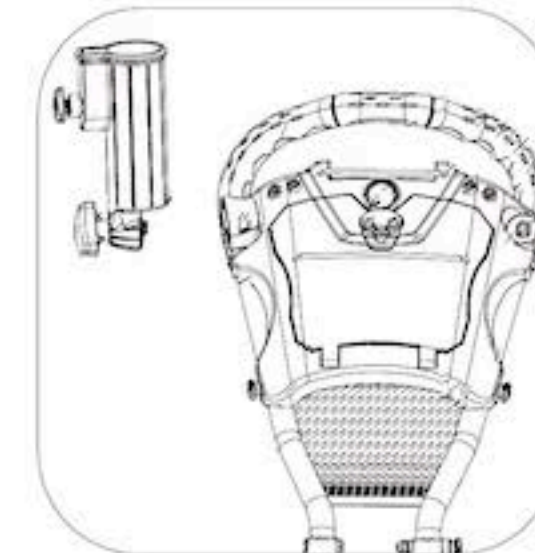
Always make sure the cart is fully extended and locked before use.

Always make sure the cart is folded and locked properly before lifting or transporting.

Do not run while using this product.

Do not use accessories other than those designed for use with this cart. Keep all packing materials away from children and recycle where possible or where required by law.

UMBRELLA HOLDER ASSEMBLY



Simply use the knob to attach the umbrella holder onto the base B1 .

SETTING UP THE BUGGY

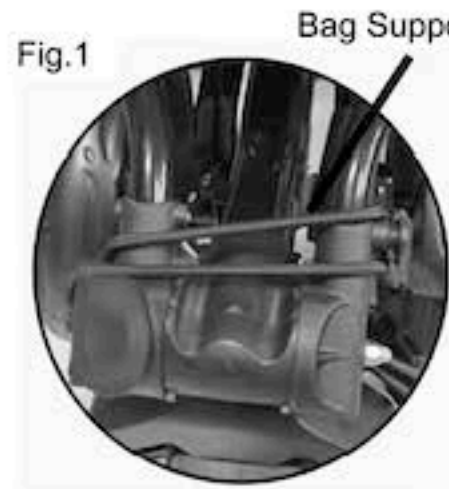
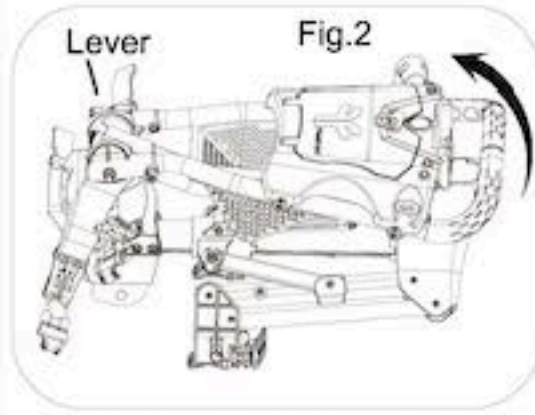


Fig.1

Bag Support Straps



Lever

Fig.2

Unwind & loosen the bag support straps as per Fig.1.

Unlock the black handle lever to fully extend the handle, then relock the lever as per Fig.2.

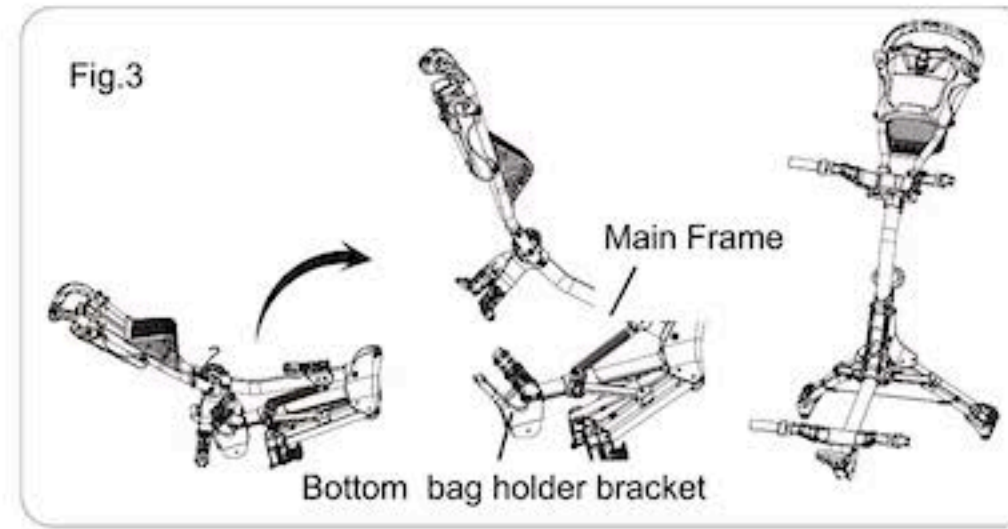


Fig.3

Main Frame

Bottom bag holder bracket

Hold the main frame and bottom bracket to open the frame as per Fig.3.

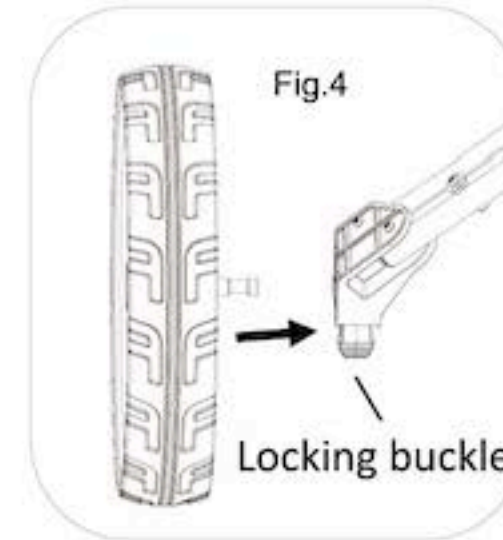


Fig.4

Locking buckle

Release the wheel locking buckle, insert the wheel axel into the wheel holder completely and then tighten the locking buckle.



Fig.5

M6*40 screw

FOLDING DOWN THE BUGGY

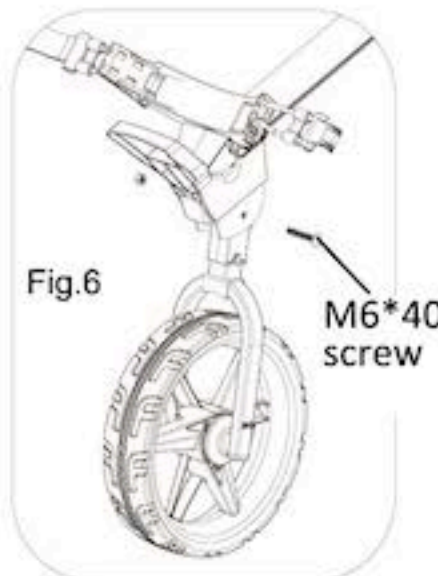


Fig.6

M6*40 screw

Unscrew the M6*40 screw and M6 nut from the front wheel fork as Fig.6. Then attach the front wheel on the lower bag bracket and assemble by rescrewing the M6*40 screw and nut as per Fig.7.

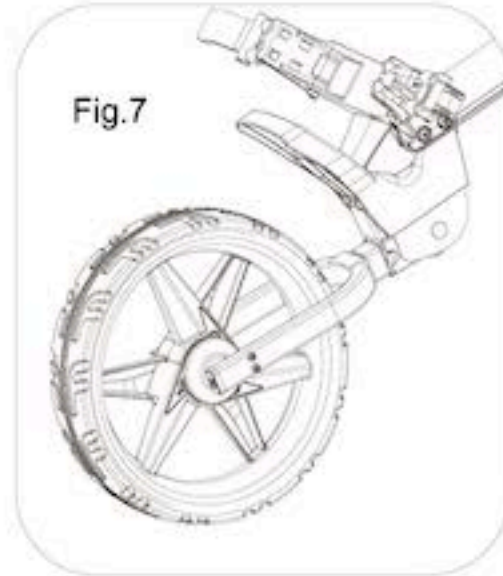


Fig.7



Fig.8

Push in to fold the front wheel under the frame as per Fig.8.

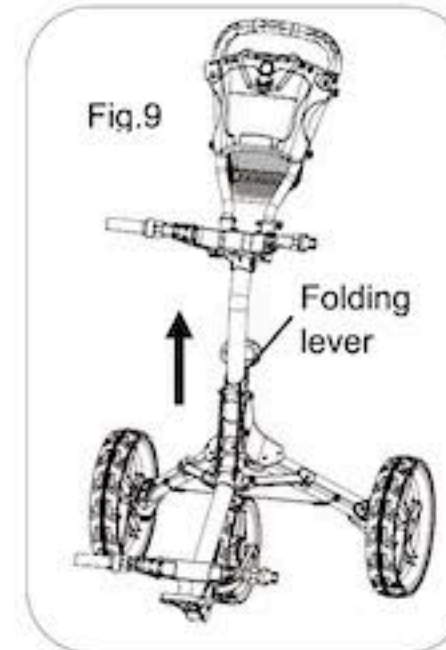


Fig.9

Folding lever

Pull up the folding lever to begin folding down the main frame and press down on the handle to form a cube shape as per Fig.9&10&11.



Fig.10

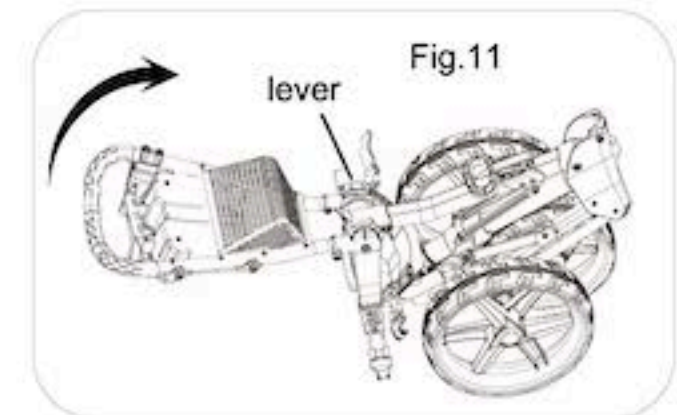


Fig.11

lever

Release the black handle locking lever to fold the handle and relock as per Fig.11.



Fig.12



Fig.13

Use the elastic upper bag supports to secure the buggy into the cube as per Fig.13.

Please note: Pick up the buggy using the handle and not the main frame when transporting.

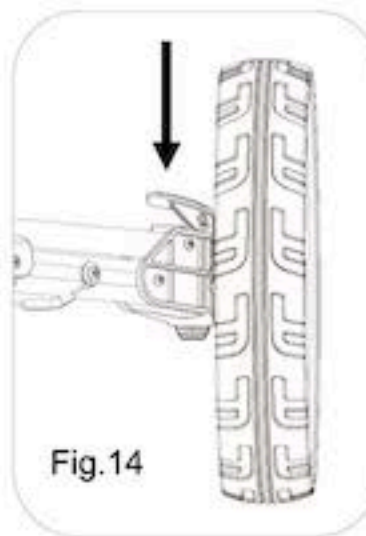


Fig.14

USE THE BRAKE

Push on the brake pedal to apply the rear wheel brake. Lift brake pedal to release as per Fig.14.



WARNING:

Pick up the buggy using the handle and not the main frame when lifting or transporting.

FONT WHEEL ADJUSTMENT MECHANISM

If during use, you find the cart veers to the right or left, please see the instructions below to correct this problem. (Fig.1)

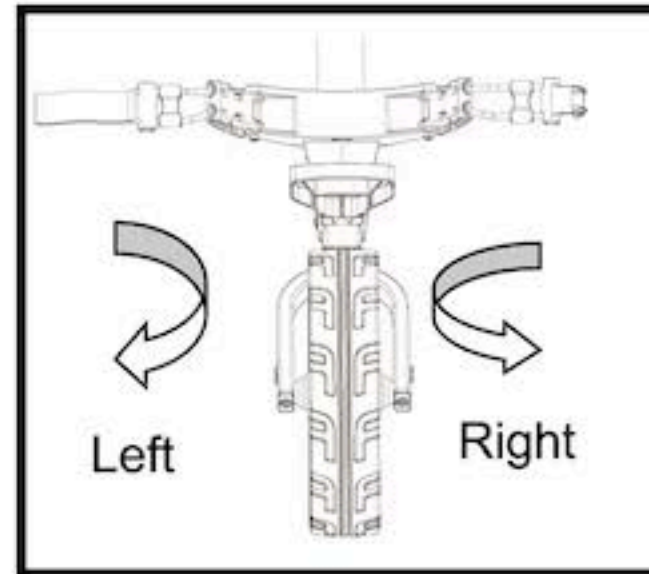


Fig .1

If the buggy veers to the left, face the front wheel of the buggy and use the Allen Key provided to screw the right bolt counterclockwise or the left bolt clockwise until the front wheel is centered between the front fork.(Fig.2)

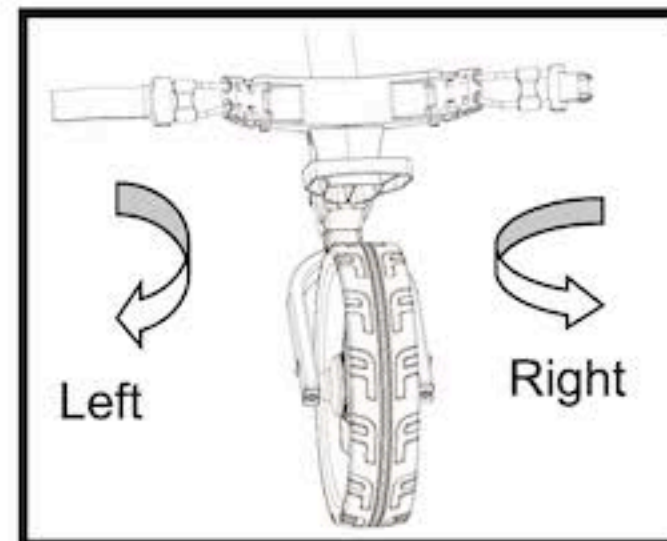


Fig .2

If the cart veers to the right, face the front wheel of the buggy and use the Allen Key provided to screw the left bolt counterclockwise or the right bolt clockwise until the front wheel is centered between the front fork. (Fig.3)

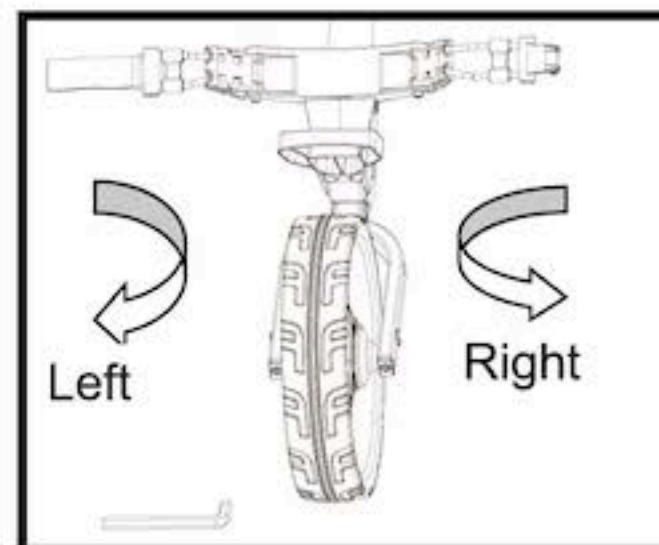


Fig .3

STINGER

GOLF PRODUCTS

www.stingergolf.com.au

info@stingergolf.com.au