

# **STINGER**

GOLF PRODUCTS

## **SG-3 OPERATING INSTRUCTIONS & USER MANUAL**

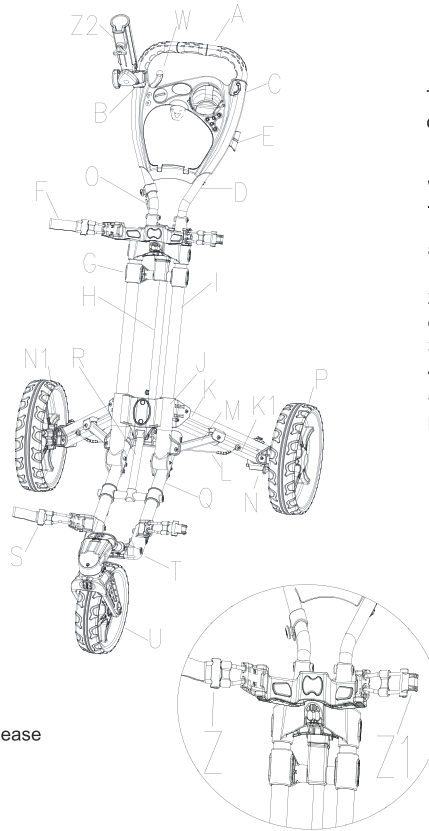


[www.stingergolf.com.au](http://www.stingergolf.com.au)

[info@stingergolf.com.au](mailto:info@stingergolf.com.au)

# PARTS LIST

- A Ergonomic Handle
- B Umbrella Holder Base
- C Scorecard Holder
- D Handle Tube
- E Umbrella Holder Storage Rack
- F Upper Adjustable Bag Straps
- G Joint
- H Connecting Rods
- I Main Upper Frame Tube
- J Leg Bracket
- K Leg Frame
- K1 Leg Frame
- L Anti-Splay Wire
- M Weight Stabilizer
- N Right Wheel Locking Mechanism
- N1 Left Wheel Locking Mechanism
- O Sand Bucket Hook
- P Rear Wheel Assembly
- Q Main Lower Frame Tube
- R Sliding Connecting Rods
- S Adjustable Bag Elastic Rope
- T Lower Adjustable Bag Straps
- U Front Wheel Assembly
- V Adjustable Handle Mechanism
- W Handle For Front Swivel Wheel Lock/Release
- X Rear Carry Bag
- Y Push Button System
- Z Upper Bag Strap
- Z1 Upper Bag Strap Hook
- Z2 Umbrella Holder



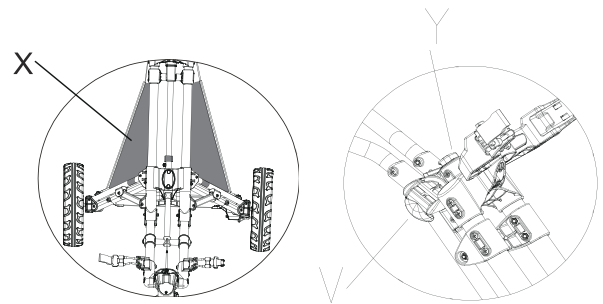
## MAINTENANCE

To clean the buggy, wipe with a soft, damp cloth. Avoid using harsh chemicals to clean. Lubricate moving parts every 6 months.

## Warning:

For your own safety, please read and understand the following warnings and keep this user guide for future reference.

1. Always make sure the buggy is fully extended and locked before use.
2. Always make sure the buggy is folded and locked properly before lifting or transporting.
3. Do not run while using this product.
4. Do not use accessories other than those designed for use with this cart.
5. Keep all packing materials away from children and recycle where possible or where required by law.



STINGER SG-3

## ASSEMBLE THE BUGGY

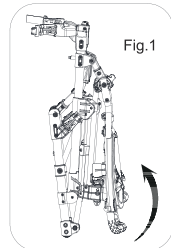


Fig.1

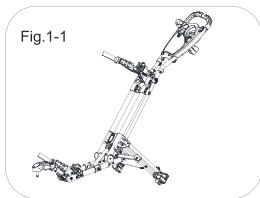


Fig.1-1

Pull the handle up until you hear the buggy 'Click', into position and the handle is lock as in Fig.1 and Fig. 1-1.

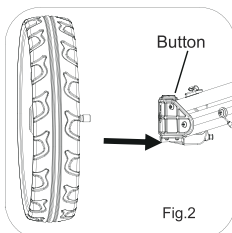


Fig.2

Press the button and insert the rear wheels as in Fig.2.

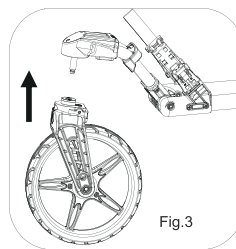


Fig.3

Attach the front wheel as in Fig.3.

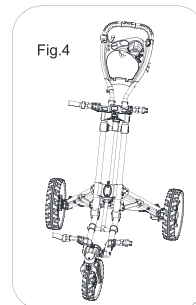


Fig.4

Completely assembled buggy as Fig.4.

## FOLDING DOWN THE BUGGY

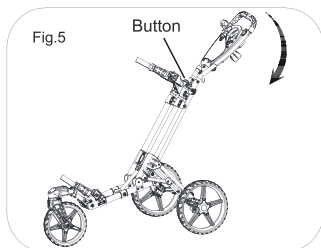


Fig.5

Button

Press the red button and fold the buggy in the direction of the arrow as in Fig.5

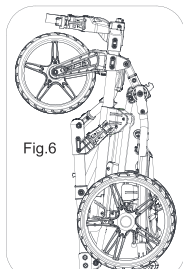


Fig.6

Fig.6 Folded position.

## SWIVEL FRONT WHEEL SYSTEM

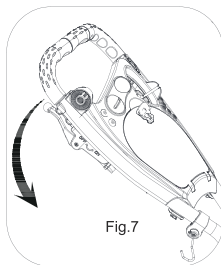


Fig.7

The front wheel can swivel 360 degrees when the handle is pushed down as Fig.7, and when the handle is pulled up, the front wheel is locked in the straight position.

## UMBRELLA HOLDER

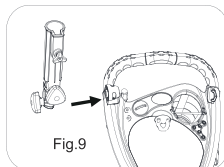


Fig.9

To attach:  
Simply attach the umbrella holder onto the buggy as in Fig. 9

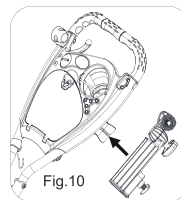


Fig.10

To store:  
Attach the umbrella holder into the storage rack on the handle as in Fig. 10 & 11.

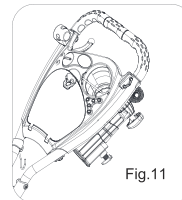


Fig.11

## USE THE BRAKE

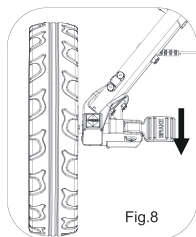


Fig.8

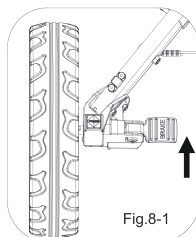
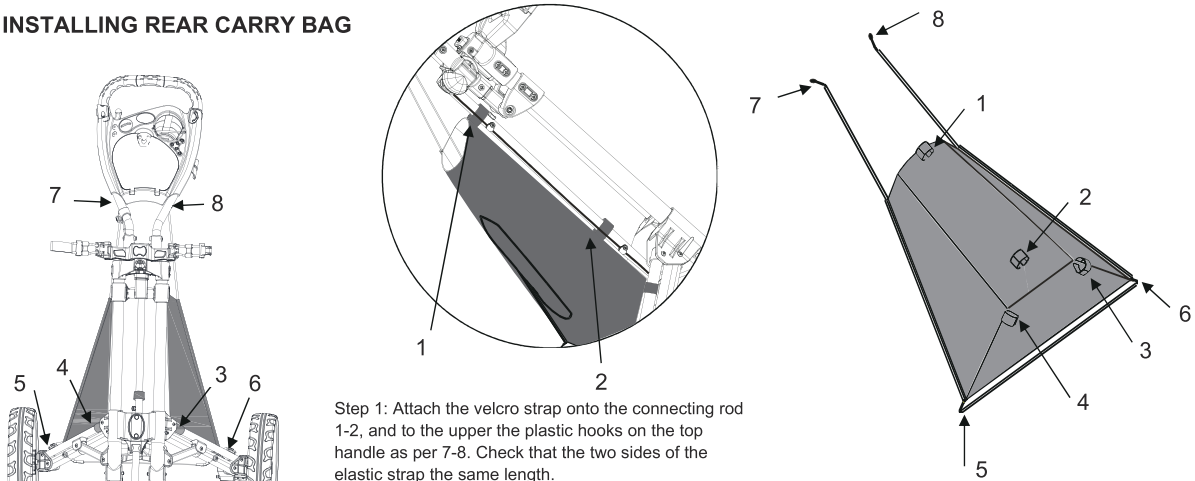


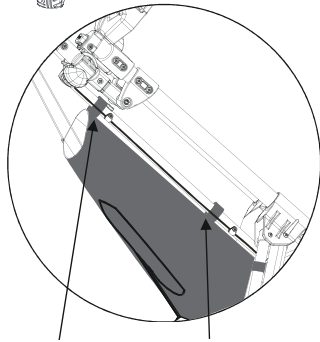
Fig.8-1

Push on the brake pedal to block the rear wheel and lift up to release as in Figs. 8&8-1.

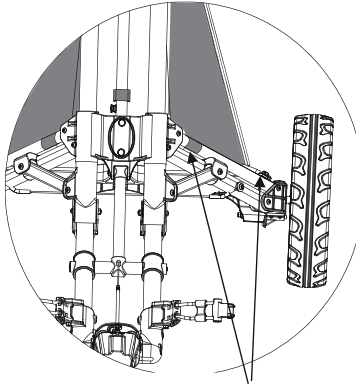
## INSTALLING REAR CARRY BAG



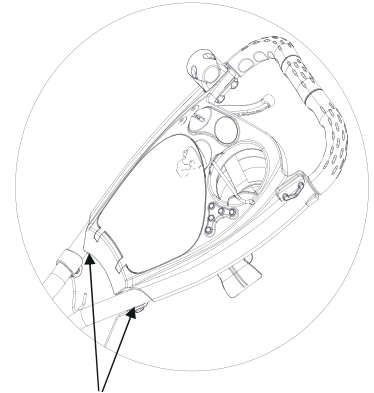
Step 1: Attach the velcro strap onto the connecting rod 1-2, and to the upper the plastic hooks on the top handle as per 7-8. Check that the two sides of the elastic strap the same length.



Step 2: When fixing the velcro straps on the lower connecting rod, ensure the velcro can slide up and down when folding the buggy.  
Please note: Over tightening will not allow the buggy to fold correctly.



Step 3 & 4: Attach velcro strap onto the leg frame, then pull the elastic strap and clip onto the leg frame.



Step 5 & 6: Clip the elastic strap under the scorecard holder - ensure the straps are the same length.



## FRONT WHEEL ADJUSTMENT MECHANISM

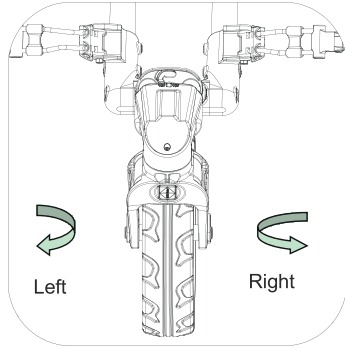


Fig.1



Allen Key

Fig.2

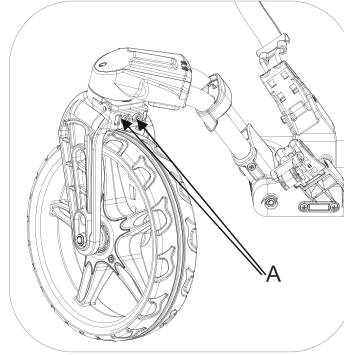


Fig.3

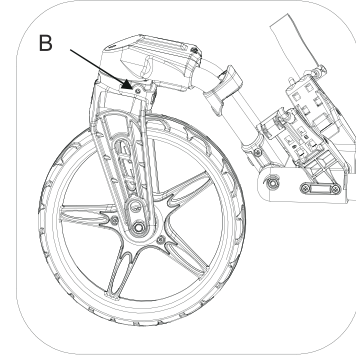


Fig.4

## FRONT WHEEL ADJUSTMENT MECHANISM

If the buggy veers to **RIGHT**: use the Allen Key (as shown in Fig. 2) to loose the 2 screws (A) on the backside of the front wheel frame as shown in Fig. 3. Then adjust the front wheel to centre position by turning the screw (B) counterclockwise as in Fig. 4. Tighten the 2 Screws (A) after the front wheel alignment is done.

If the buggy veers to **LEFT**: use the Allen Key (as shown in Fig. 2) to loose the 2 screws (A) on the backside of the front wheel frame as shown in Fig. 3. Then adjust the front wheel to centre position by turning the screw (B) clockwise as in Fig. 4. Tighten the 2 Screws (A) after the front wheel alignment is done.



**EXCEEDING IMAGINATION IN QUALITY & PRICE**

[www.stingergolf.com.au](http://www.stingergolf.com.au)

[info@stingergolf.com.au](mailto:info@stingergolf.com.au)