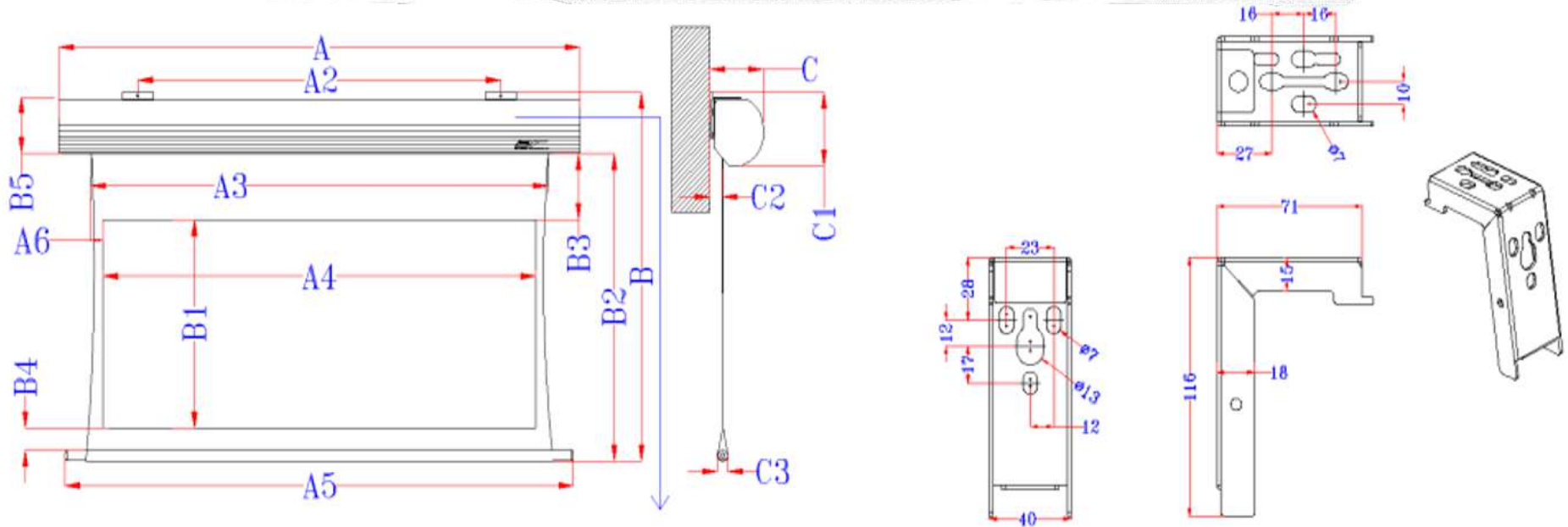


Elite Screens -DayWalker Tab Tension Dimension Table

Unit: mm																	Packing dimension					
Models	Border	Screen Diag. & Aspect Ratio	Case L(A)	View W (A4)	ceiling bracket hole distance (A2)	Screen W (A3)	Weight Bar L (A6)	Overall H with ceiling Bracket (B)	View H(B1)	Screen H(B2)	Bottom black masking (B4)	Top black masking (B3)	End cap H with bracket (B5)	End cap W with ceiling bracket (C)	End cap H w bracket (C1)	Screen Mat. to Wall Dist. (C2)	Weight bar diameter (C3)	N.W (KGS)	G.W (KGS)	L	W	H
DW92XHD3-E12	Black	92" (16:9)	2412	2036	1236	2158	2275	1735	1145	1565	90	305	120	100	165	40	23	14,95	19,76	2640	220	200
DW100XHD3-E12	Black	100" (16:9)	2590	2213	1413	2345	2450	1825	1245	1675	90	305	120	100	165	40	23	16,05	21,35	2810	220	200
DW110XHD3-E12	Black	110" (16:9)	2810	2435	1635	2562	2675	1955	1369	1795	90	305	120	100	165	40	23	17,45	22,33	3040	220	200
DW120XHD3-E12	Black	120" (16:9)	3032	2656	1856	2785	2895	2095	1494	1925	90	305	120	100	165	40	23	18,75	24,63	3260	220	200
DWN92XHD3-E12	Full Grey	92" (16:9)	2412	2158	1358	2158	2275	1735	1535	1565	30		120	100	165	40	23	14,95	19,76	2640	220	200
DWN100XHD3-E12	Full Grey	100" (16:9)	2590	2345	1545	2345	2450	1825	1645	1675	30		120	100	165	40	23	16,05	21,35	2810	220	200
DWN110XHD3-E12	Full Grey	110" (16:9)	2810	2562	1762	2562	2675	1955	1765	1795	30		120	100	165	40	23	17,45	22,33	3040	220	200
DWN120XHD3-E12	Full Grey	120" (16:9)	3032	2785	1985	2785	2895	2095	1895	1925	30		120	100	165	40	23	18,75	24,63	3260	220	200



Thank you for your purchase of an Elite Screens Daywalker Series Electric Projection Screen.

IMPORTANT SAFEGUARDS

Read these instructions carefully and retain them for future use. If this product is passed to a third party, then these instructions must be included.

Caution: The screen's Black Top Drop is already set to its maximum drop distance. There is NO extra Black Top Drop in the roller. Please be aware of this as it will void your warranty with Elite Screens™. Unapproved changes or modifications (except for cutting the power cord for hardwire installations) to this unit are prohibited and will void your warranty.

- To avoid damaging the unit, do not use with any unauthorized accessories not recommended by the manufacturer.
- Handle the unit carefully during transportation to avoid any damages.
- To ensure safe and reliable operation, direct connection to a properly grounded power source is advised.
- The power outlet supplying power to the unit should be close to the unit and easily accessible.
- Do not install the unit on uneven or inclined surfaces.
- Do not put heavy objects on the power cord and position it properly to avoid creating a trip obstacle.
- Never overload the power cord to prevent an electric shock or fire due to a loose contact or a short circuit.
- There are not user serviceable parts in this unit. Do not attempt to disassemble this unit by yourself. No one except authorized technicians can open and make repairs to this unit.
- Make sure the power source this unit is connected to has a continuous power flow.
- If there is need to use an extension cord, make sure the cord has an equal rating as the appliance to avoid overheat.
- Do not handle the power plug when your hands are wet or your feet are in contact with water.

Do not use this unit under the following circumstances.

- Disconnect the power cord under the conditions of heavy rain, wind, thunder or lightning.
- Avoid direct sunshine, rain shower and moisture.
- Keep away from fire sources and high temperature to prevent this device from overheating.
- Cut off the power supply first before transportation or maintenance.
- Fully disconnect from the power supply when the unit is not in use for a long period of time, as should be done with any other electric household appliance.
- To avoid possible injury and/or an electric shock, do not attempt to use the screen if there is obvious damage or if there are any evident broken parts.

WARNING

Individual modifications to this product are prohibited and will void the manufacturer's warranty. Please contact the Elite Screens Customer Service Team with any questions.

NOTE:

This equipment has been tested and found to comply with the limits for a Class B digital device, pursuant to Part 15 of the FCC Rules.

The product settings are designed to provide reasonable protection against any radio interference within a residential installation. If properly installed, the Evanesce Tab-Tension screen may suffer from RF interference from other home electronics.

Although radio interference affecting other household electronics is unlikely, the following steps can be taken should RF interference occur.

- ✓ **Reorient or relocate the receiving antenna on the device that may be causing the interference.**
- ✓ **Increase the distance between the screen and the interfering device's receiver.**
- ✓ **Connect the projection screen to another power source apart from the interfering device.**

Pre-Installation

1. Carefully unpack the screen.
2. Always handle the screen upright on a level, clean surface.
3. Keep the screen out of contact with foreign particles such as dust, sawdust, and/or liquids.

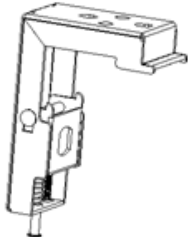
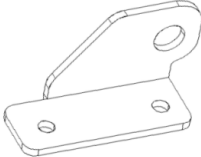



NOTE

Wall screws included with this product are complementary and may not be adequate for all mounting surfaces. Consult with a professional installer or hardware store for proper mounting screws and anchors.

Regardless of the mounting method, the screen should be securely supported so that the vibration or pulling on the viewing surface will not cause the casing to become loose or fall. Included mounting screws are complimentary and may not be appropriate for all mounting surfaces. Use appropriate anchors to safely secure the screen to the mounting surface or consult with a professional installer.

Hardware and Parts List

Please make sure all parts listed below are included before proceeding with the installation.

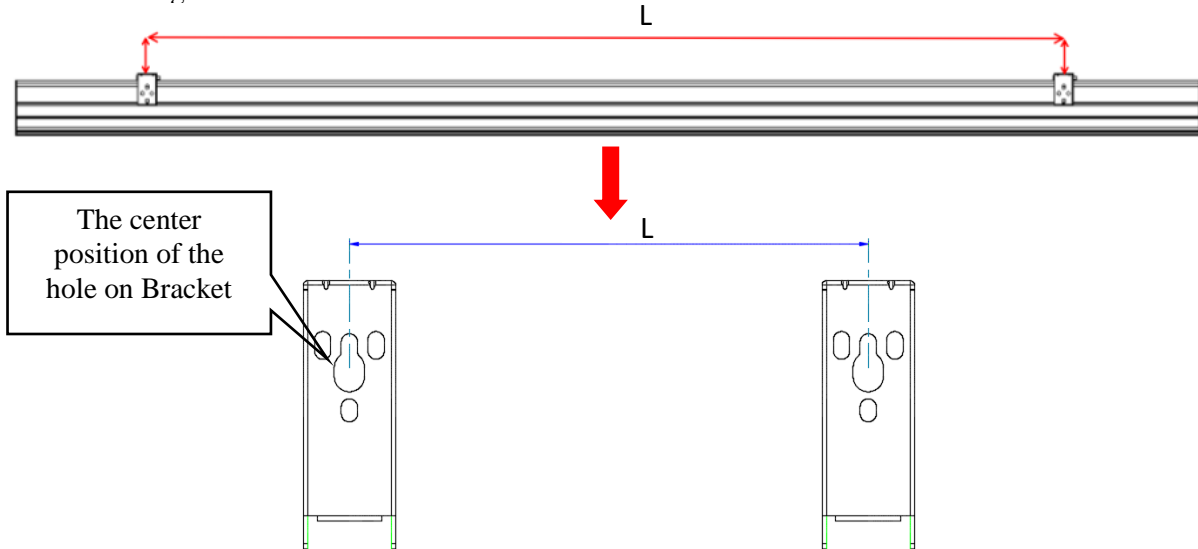
A. Bracket x 2	B. Suspended Ceiling Bracket Connector x 2	C. M5 x 12 screw x 4	D. M5.5 screw x8	E. Anchor x 8
				

Installation Instructions

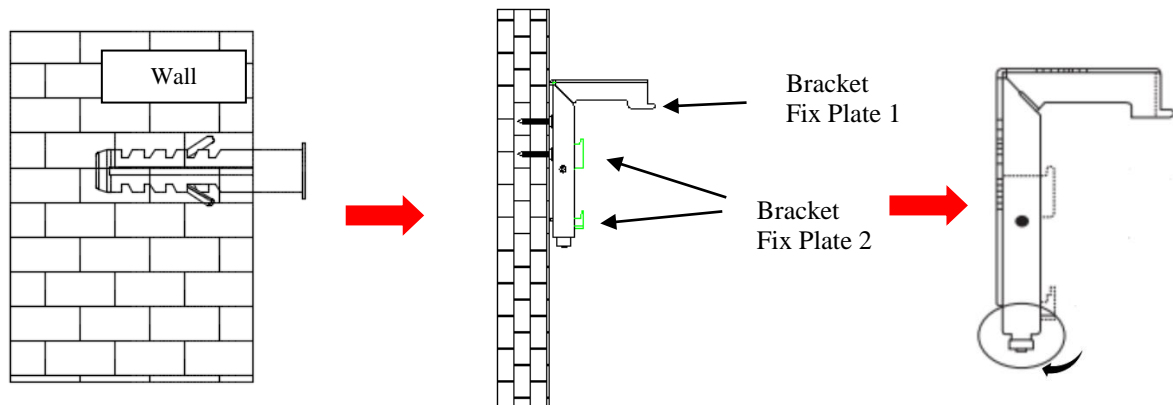
For installation assistance, please consult a professional Installer. Elite Screens is not liable for faulty installations.

A. Wall Mount

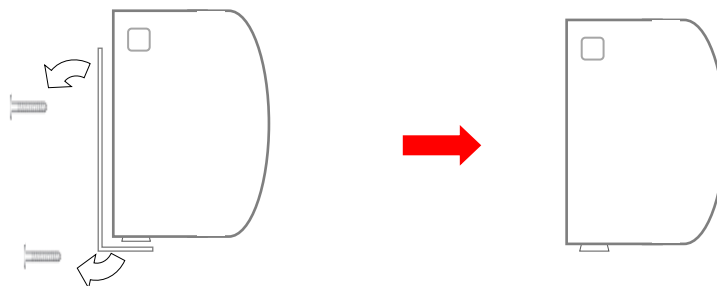
1. Mark the location of where the screen is to be installed on the wall, please make sure the distance L is less than the whole screen length.



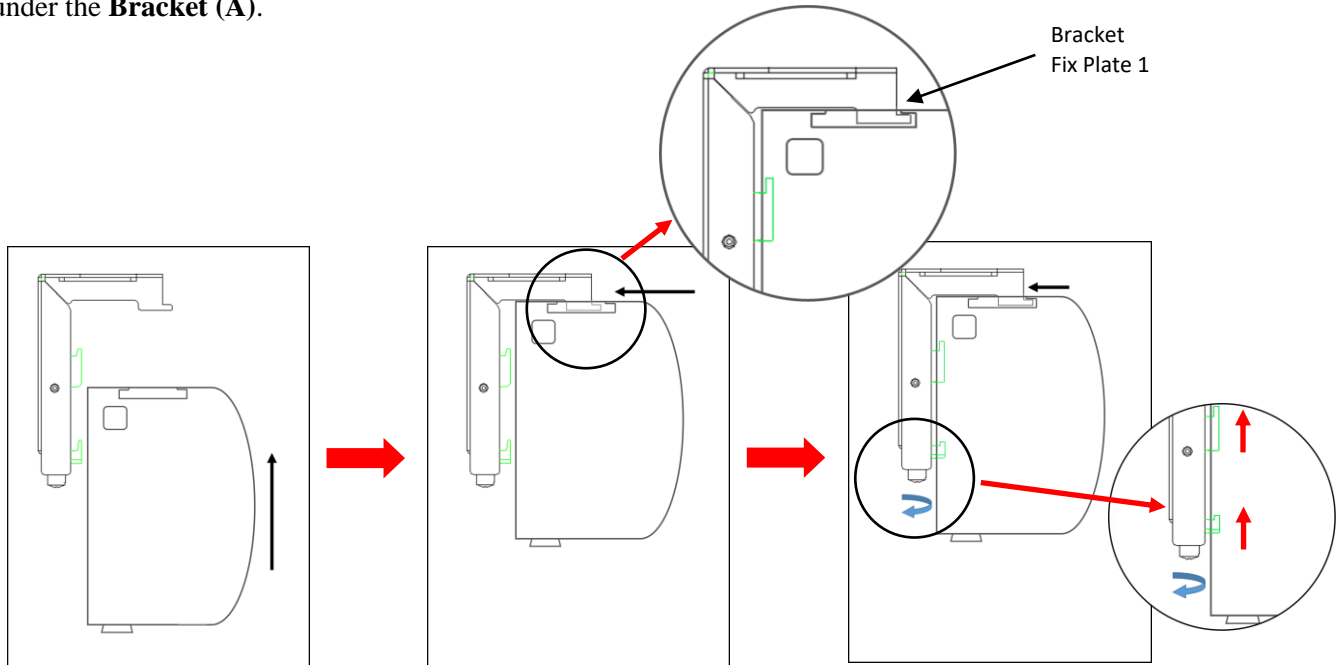
2. Drill the holes and insert the **Anchors (E)**, and fixed the bracket into the wall with **M5.5 screws(D)**, then loosen the screw under the **Bracket (A)** counterclockwise.



3. Unscrew both screws from the L type metal fixed plate and remove it from the weight bars.



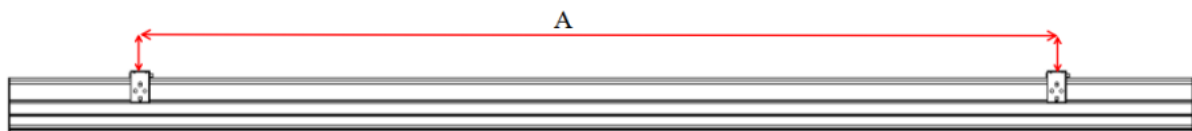
4. Attach the screen to the **Brackets (A)** by inserting the top of the case to Fix Plate 1 and securing the back of the case to Fix Plate 2. Make sure the case slots are securely attached to the mounting brackets, then tighten the screws under the **Bracket (A)**.



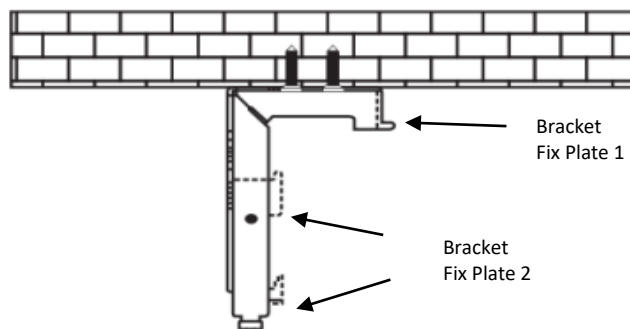
B. Ceiling Mount

I. Ceiling Mount (movable position)

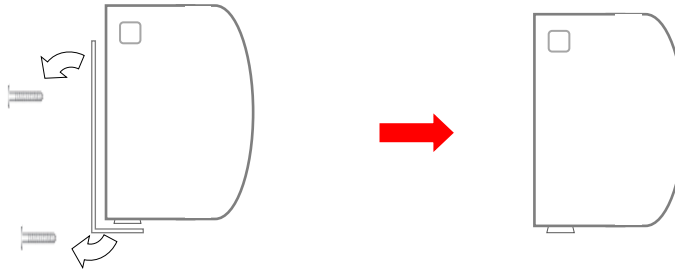
1. Mark the location of where the screen is to be installed on ceiling, please make sure the distance A is less than the whole screen length.



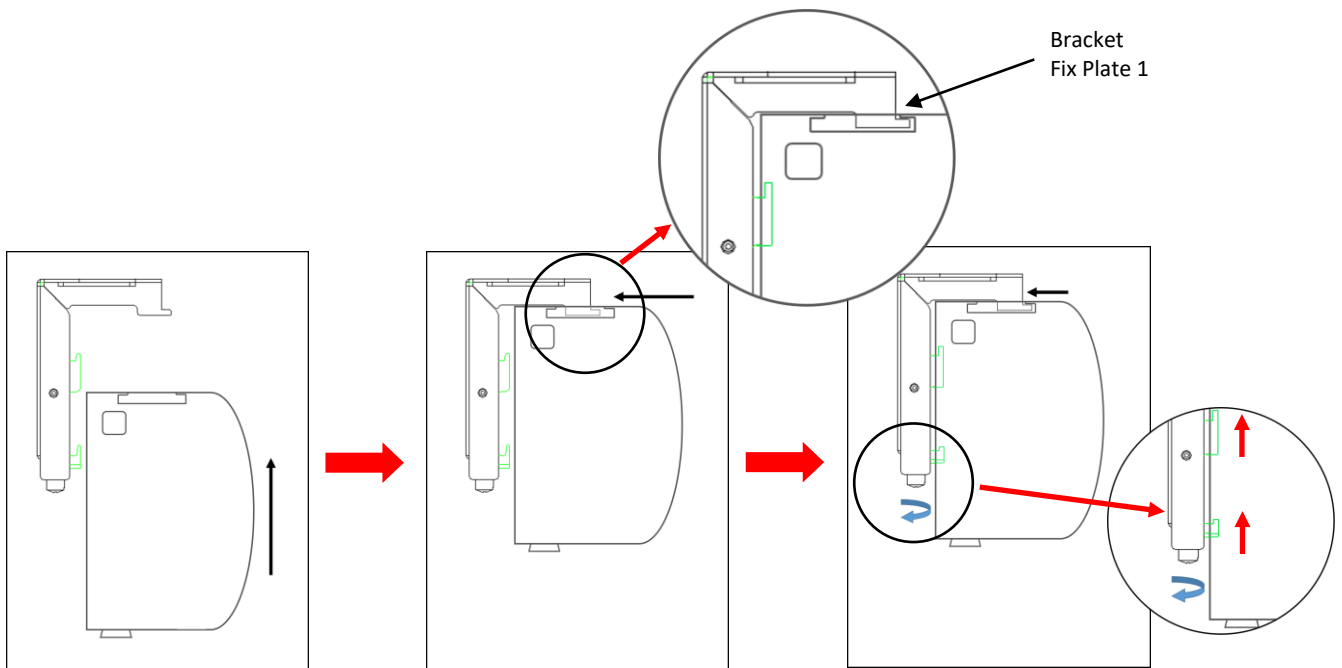
2. Drill the holes and insert the **Anchors (E)**, and fixed the bracket into the ceiling with **M5.5 screws(D)**, loosen the screw under the **Bracket(A)** counterclockwise



3. Unscrew both screws from the L type metal fixed plate and remove it from the weight bars.



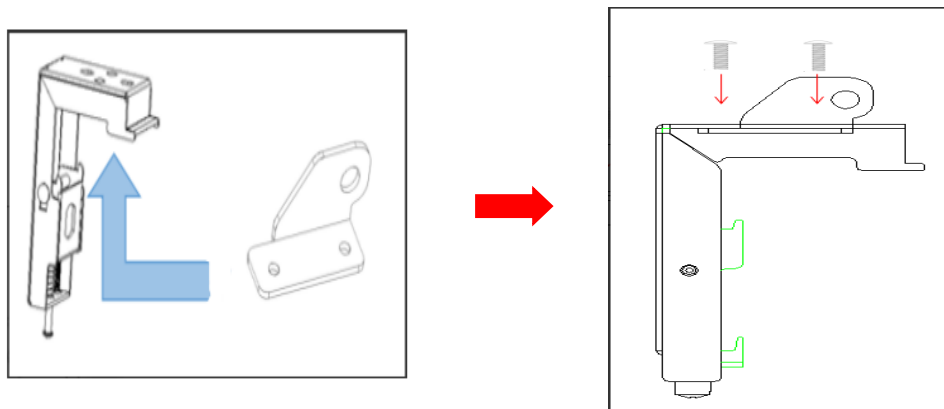
4. Attach the screen to the **Bracket (A)** by inserting the top of the case to **Fix Plate 1** and securing the back of the case to **Fix Plate 2**. Make sure the case slots are securely attached to the **Mounting Bracket (A)**



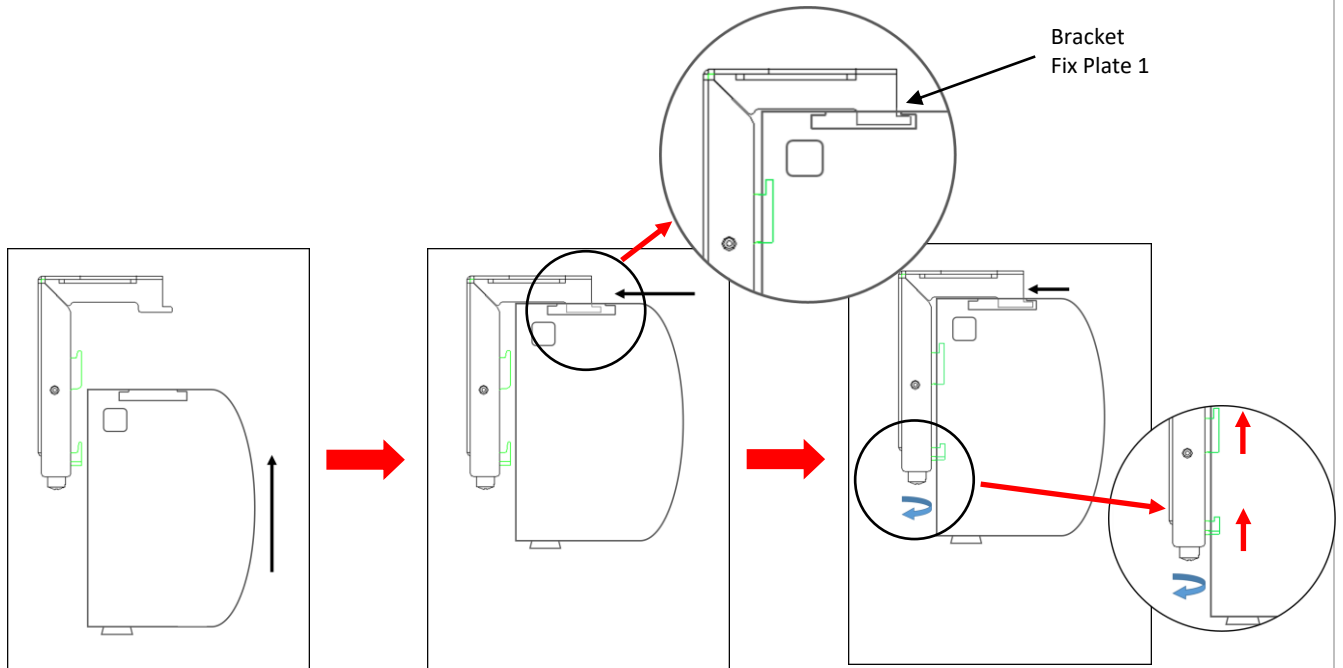
II. Suspended

1. You can also hang the screen on a ceiling by using chains (not included).

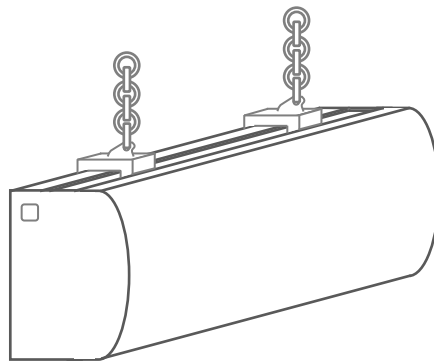
2. Connect the **Suspended Ceiling Bracket Connector (B)** to the **Bracket (A)** and secure with the **M5x12 Screws (C)**




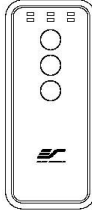





3. Attach the screen to the **Brackets (A)** by inserting the top of the case to Fix Plate 1 and securing the back of the case to Fix Plate 2. Make sure the case slots are securely attached to the mounting brackets, then tighten the screws under the **Bracket (A)**.



4. Insert chains (not included) through the loop holes of the **Suspended Ceiling Bracket Connector (B)**.



Daywalker Series | Controls and Accessories

A. Infrared (IR) Remote	B. Radio Frequency (RF) Remote	C. Wall switch control box	D. 5-12 volt trigger cable	E. IR extended "eye" receiver	F. Wireless 5-12v trigger cable	G. AAA batteries
			 Red 12V Green 0V			

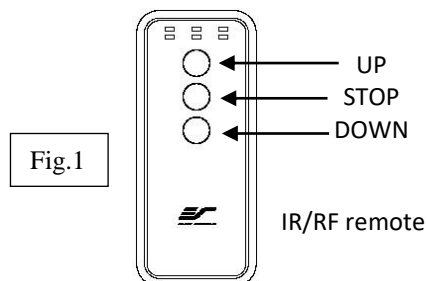
Screen operation

Electric Current: Depending upon region, your Elite Screen will operate on 100v, 110v, or 220v voltage.

1. After ensuring the power outlet & screen are compatible (voltage), plug the power cord into the power outlet.
2. Once the screen has power, you'll be able to control it using any of the 6 methods described below.

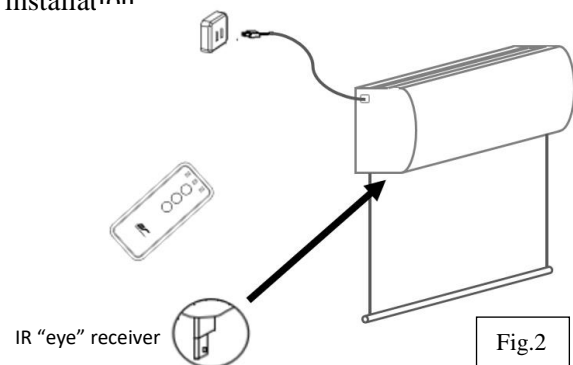
6 ways to control your Daywalker motorized screen

1. IR remote control (Item A, Fig 1): The Infrared functions by direct line of sight contact using a beam range of 30 feet. Aim the IR remote at the circular window located on the left side of the screen.

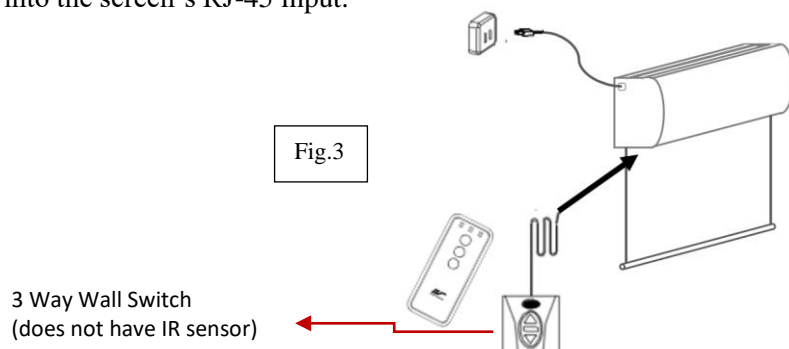


3. RF Remote Control (Item B): The radio waves eliminate the need for a direct line of sight and has a range of 100 feet.

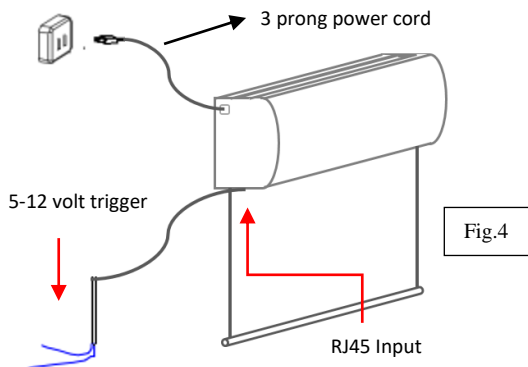
2. IR "Eye" Receiver (Item E, Fig 2): The IR "Eye" Receiver plugs directly into the screen's RJ-45 input to present a low-profile line-of-sight control option for your IR remote control. It is an extended eye-receiver to accommodate a recessed ceiling installation.



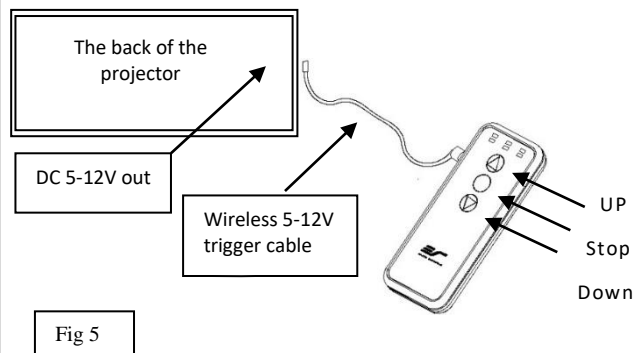
4. 3-Way Wall Switch (Item C, Fig 3): The 3-way wall switch is a wall mounted control box with an up/stop/down button. It plugs directly into the screen's RJ-45 input.



4. **5-12 volt trigger (Item D, Fig 4):** The built-in 5-12V trigger input allows your screen to synchronize its drop & rise with the projector's power cycle. The screen deploys when the projector powers up and will retract when the projector powers down. The 5-12 volt RJ45 cable connects to
5. your projector's trigger output via a separate cable that may or may not be provided by the manufacturer of the projector. The trigger feature will not work without an output cable from the projector, but it can be tested by connecting the Red (+) and Green (-) cable to a 9-volt battery.



6. **Wireless 5-12 volt trigger (Item F, Fig 5):** The RF remote control serves as a dual purpose, independently as a handheld remote control, or as a Wireless 5-12 volt trigger using the trigger cable. The radio frequency technology can be programmed to send a wireless signal that synchronizes screen drop & rise with the projector's power cycle.



Here's how to set up your Wireless 5-12 volt trigger | Synchronization Instructions

Step 1: Connect one end of the 3.5 mm wireless 5-12 volt trigger cable to the RF remote.

Step 2: Connect the other 3.5 mm end of the wireless 5-12 volt trigger cable to your projector

Step 3: Make sure to unplug your screen from the power outlet

Step 4: Hold the UP button on your RF remote

Step 5: While holding the UP button, plug the screen back to the power outlet

Step 6: Wait 5 seconds and then release the UP button

Step 7: Your 5-12V wireless trigger should now be activated with your screen and ready to be used and able to control your screen with your projector's power cycle

Repeat the steps again if not successful.

(Please be aware, the projector on/off cycle may take longer to fully activate. It usually takes around 20-30seconds for full off and on cycle each time)

For more information, support or your local Elite Screens contact, please visit www.elitescreens.eu