

8oz Milkman DBJ

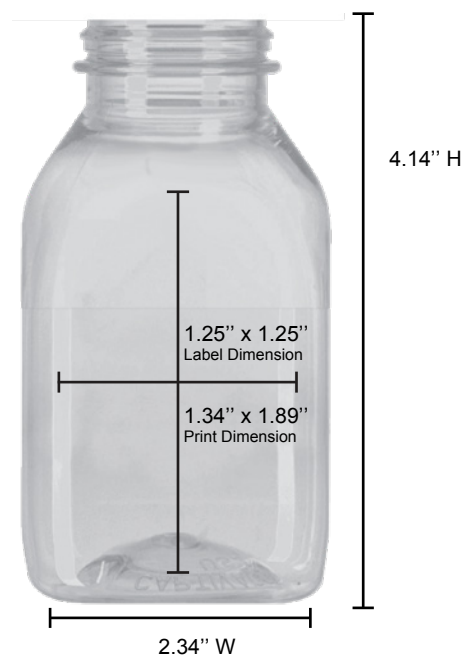
www.captivaco.com

1.800.861.3868

info@captivaco.com

@CaptiveCo

Revision Date: June 2020



Product #	JMSCC-8oz-38(DBJ)
Capacity	8oz
Weight	20g \pm 1
Neck Finish	38mm (DBJ)
Dimensions (w x h)	2.34" x 4.14"
Label Dimensions (w x h)	1.25" x 1.25"
Print Dimensions (w x h)	1.34" x 1.89"
Material	PET
Compliance	BPA Free, Dairy, Cold Fill
Add-ons Available	Eco Clear, RPET, Color Additive

Packing Info	
Case Pack	480 ea.
Case Dimensions	42" x 42" x 17"
Case Weight	20 lbs.
Pallet Pack	5,760 ea.
Pallet Dimensions	48" x 40" x 72"
Pallet Weight	296 lbs.



Confidential drawings, specifications & compatibility information provided by Captiva Containers is to serve as a general guide. It is the responsibility of the end-user to determine if the packaging (bottle & closure) is well suited to be fully compatible with their processes & desired product application.

8oz Milkman Square DS1.5 Tall

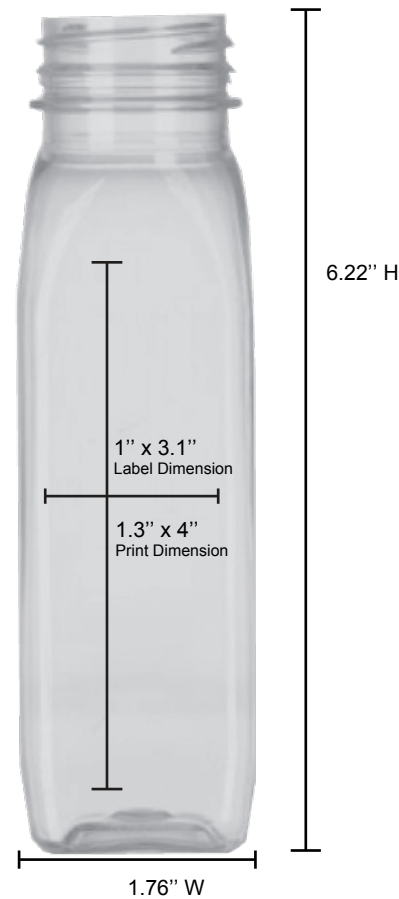
www.captivaco.com

1.800.861.3868

info@captivaco.com

@CaptiveCo

Revision Date: June 2020



Product #	JMSCC-8oz-38(DS1.5)/T
Capacity	8oz
Weight	28g \pm 1
Neck Finish	38mm (DS1.5)
Dimensions (w x h)	1.76" x 6.22"
Label Dimensions (w x h)	1" x 3.1"
Print Dimensions (w x h)	1.3" x 4"
Material	PET
Compliance	BPA Free, Dairy, Cold Fill, HPP
Add-ons Available	Eco Clear, RPET, Color Additive

Packing Info	
Case Pack	572 ea.
Case Dimensions	39" x 24" x 15"
Case Weight	38 lbs.
Pallet Pack	6,864 ea.
Pallet Dimensions	48" x 40" x 82"
Pallet Weight	252 lbs.