

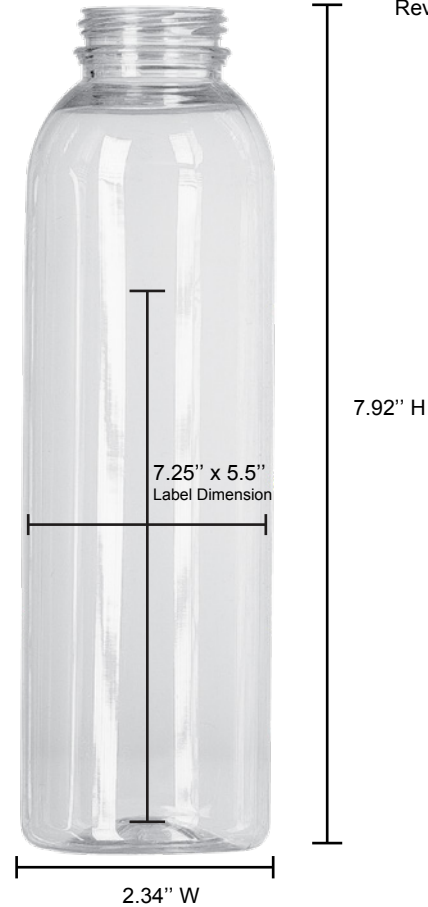
# 16oz Bullet Round DBJ

www.captivaco.com

1.800.861.3868

info@captivaco.com

@CaptiveCo



Revision Date: February 2022

**Product #** JBRCC-16oz-38(DBJ)

**Capacity** 16oz

**Weight** 30g  $\pm$ 1

**Neck Finish** 38mm (DBJ)

**Dimensions (w x h)** 2.37" x 8.04"

**Label Dimensions (w x h)** 7.25" x 5.5"

**Material** PET

**Compliance** BPA Free, Dairy(IMS), Cold Fill

## Packing Info

**Case Pack** 372 ea.

**Case Dimensions** 43" x 24" x 17"

**Case Weight** 30 lbs.

**Pallet Pack** 3,720 ea.

**Pallet Dimensions** 48" x 40" x 85"

**Pallet Weight** 293 lbs.



Confidential drawings, specifications & compatibility information provided by Captiva Containers is to serve as a general guide. It is the responsibility of the end-user to determine if the packaging (bottle & closure) is well suited to be fully compatible with their processes & desired product application.

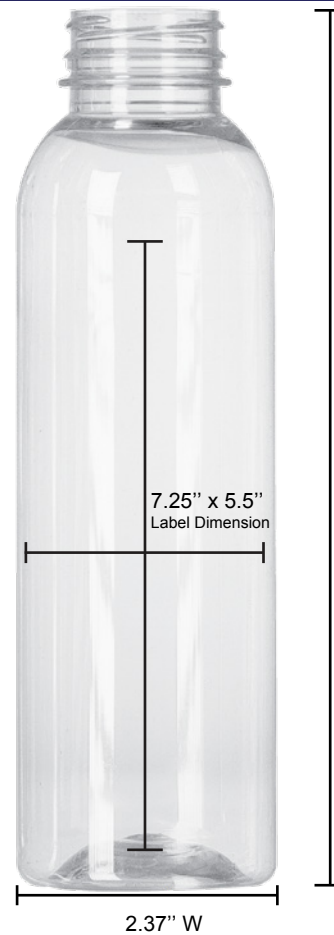
# 16oz Bullet Round DS1.5

www.captivaco.com

1.800.861.3868

info@captivaco.com

@CaptiveCo



Revision Date: February 2022

<b>Product #</b>	<b>JBRCC-16oz-38(DS1.5)</b>
Capacity	16oz
Weight	30.5g $\pm$ 1
Neck Finish	38mm (DS1.5)
Dimensions (w x h)	2.37" x 8"
Label Dimensions (w x h)	7.25" x 5.5"
Material	PET
Compliance	BPA Free, Dairy, Cold Fill, HPP
Add-ons Available	Eco Clear, RPET, Color Additive

<b>Packing Info</b>	
Case Pack	342 ea.
Case Dimensions	43" x 24" x 17"
Case Weight	29 lbs.
Pallet Pack	3,420 ea.
Pallet Dimensions	48" x 40" x 85"
Pallet Weight	300 lbs.



Confidential drawings, specifications & compatibility information provided by Captiva Containers is to serve as a general guide. It is the responsibility of the end-user to determine if the packaging (bottle & closure) is well suited to be fully compatible with their processes & desired product application.