

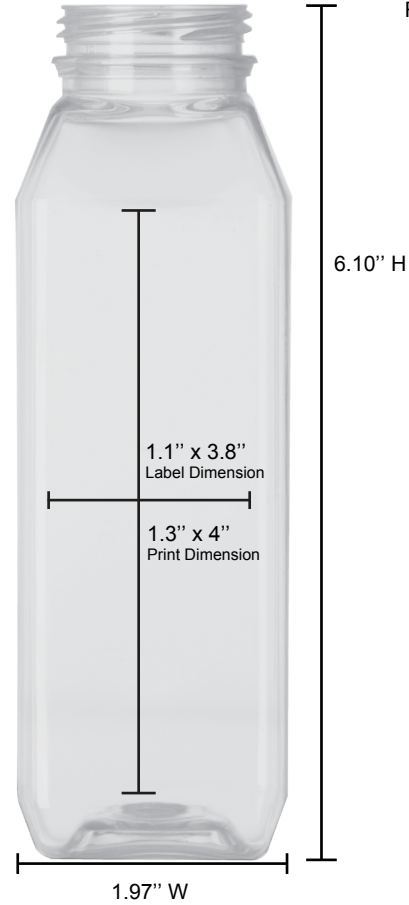
# 10oz Square DBJ

www.captivaco.com

1.800.861.3868

info@captivaco.com

@CaptiveCo



Revision Date: June 2020

<b>Product #</b>	<b>JCSCC-10oz-38(DBJ)</b>
Capacity	10oz
Weight	28g $\pm$ 1
Neck Finish	38mm (DBJ)
Dimensions (w x h)	1.97" x 6.10"
Label Dimensions (w x h)	1.1" x 3.8"
Print Dimensions (w x h)	1.3" x 4"
Material	PET
Compliance	BPA Free, Dairy, Cold Fill
Add-ons Available	Eco Clear, RPET, Color Additive

<b>Packing Info</b>	
Case Pack	480 ea.
Case Dimensions	42" x 24" x 17"
Case Weight	32 lbs.
Pallet Pack	5,760 ea.
Pallet Dimensions	48" x 40" x 85"
Pallet Weight	390 lbs.



**CAPTIVA  
CONTAINERS**

Confidential drawings, specifications & compatibility information provided by Captiva Containers is to serve as a general guide. It is the responsibility of the end-user to determine if the packaging (bottle & closure) is well suited to be fully compatible with their processes & desired product application.