

10oz Bullet Round DBJ

www.captivaco.com

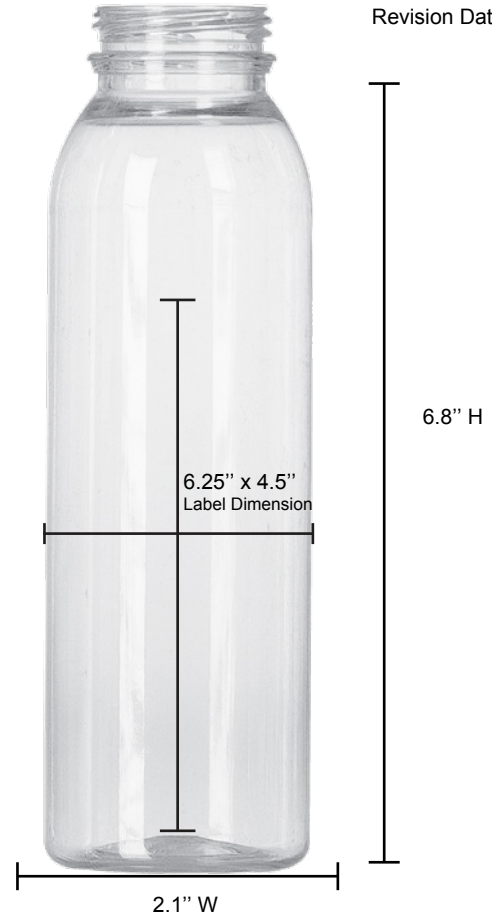
1.800.861.3868

info@captivaco.com

@CaptiveCo



Revision Date: June 2020



Product #	JBRCC-10oz-38(DBJ)
Capacity	10oz
Weight	30g \pm 1
Neck Finish	38mm (DBJ)
Dimensions (w x h)	2.1" x 6.8"
Label Dimensions (w x h)	6.25" x 4.5"
Material	PET
Compliance	BPA Free, Dairy(IMS), Cold Fill
Add-ons Available	Eco Clear, RPET, Color Additive

Packing Info	
Case Pack	482 ea.
Case Dimensions	43" x 24" x 17"
Case Weight	24 lbs.
Pallet Pack	5,302 ea.
Pallet Dimensions	48" x 40" x 83"
Pallet Weight	401 lbs.



Confidential drawings, specifications & compatibility information provided by Captiva Containers is to serve as a general guide. It is the responsibility of the end-user to determine if the packaging (bottle & closure) is well suited to be fully compatible with their processes & desired product application.

10oz Bullet Round DS1.5

www.captivaco.com

1.800.861.3868

info@captivaco.com

@CaptivaCo



Revision Date: June 2020

7" H

6.25" x 4.5"
Label Dimension

2.03" W

Product #	JBRCC-10oz-38(DS1.5)
Capacity	10oz
Weight	31g \pm 1
Neck Finish	38mm (DS1.5)
Dimensions (w x h)	2.03" x 7"
Label Dimensions (w x h)	6.25" x 4.5"
Material	PET
Compliance	BPA Free, Dairy, Cold Fill, HPP
Add-ons Available	Eco Clear, RPET, Color Additive

Packing Info	
Case Pack	482 ea.
Case Dimensions	43" x 24" x 17"
Case Weight	33 lbs.
Pallet Pack	5,302 ea.
Pallet Dimensions	48" x 40" x 83"
Pallet Weight	365 lbs.



Confidential drawings, specifications & compatibility information provided by Captiva Containers is to serve as a general guide. It is the responsibility of the end-user to determine if the packaging (bottle & closure) is well suited to be fully compatible with their processes & desired product application.