

SAFE-TEC

***Winches for pulling & lifting,
snatch blocks & radio controllers***



www.safe-tec.dk



Group:	Description	Page:
022	Hand, Chain and wriggle hoists	2-3
026	12- 24V DC Pulling Winches	4-8
038	12- 24V DC Lifting Winches	9-10
040	230-400V AC Pulling & Lifting Winches	11-15
041	230-400V AC Pulling Winches	16-17
049	Industrial Hydraulic Lifting winches	18
050	Industrial Hydraulic Pulling winches	19-21
054	Accessories for Winches	22-24
071	Radio control	25

We preserve the right to change specifications without notice



BHW Hand Lifting and pulling winches 280 – 1050 kgs

Winches meets: Machine Directive (CE)

Light and compact hand lifting and pulling winch in stainless and galvanized steel. Quality hand winches with hardened gears, bearing bushings and gear bearings for life long easy use. Gearbox and brake is rain and dust proof. Full-automatic load brake, as standard on the winches, and keeps the load – everytime.

BHW Galvanized / Stainless



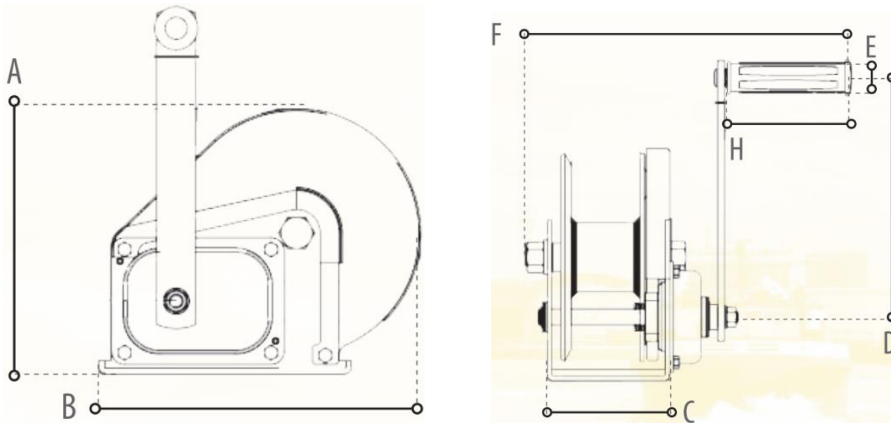
Specifikationer

Part No.:	Max Load (inner drum layer)	Differential	Drum Diam. x Length	Max Wire capacity	Winch weight
BHW1200	380 kg	4,1:1	Ø48 x 51 mm	Ø5mm x 20m**	3,3kgs
BHW1200RVS	280 kg*	4,1:1	Ø48 x 51 mm	Ø5mm x 20m**	3,3kgs
BHW1800	660 kg	5:1	Ø60 x 40 mm	Ø6mm x 20m**	8 kgs
BHW1800RVS	420 kg*	5:1	Ø60 x 40 mm	Ø6mm x 20m**	8 kgs
BHW2600	1050 kg	9,8:1	Ø75 x 63 mm	Ø8mm x 13m**	11,5 kgs
BHW2600RVS	760 kg*	9,8:1	Ø75 x 63 mm	Ø8mm x 13m**	11,5 kgs

*Reduced lifting capacity due to lower MBL on stainless wire.

**Winch delivered std. Without wire. Check our wire catalogue for options

BHW – mm



Dim. in mm	A	B	C	D	E	F	H
BHW1200	156	184	88	210	27	272	109
BHW1200RVS	156	184	88	210	27	272	109
BHW1800	203	256	107	319	27	272	109
BHW1800RVS	203	256	107	319	27	272	109
BHW2600	216	293	127	319	27	272	109
BHW2600RVS	216	293	127	319	27	272	109

WPH Manual Lift- & Pulling Hoists 280 – 1050 kg

Hoist meets. Machine directive (CE)

Lightweight & Compact Lift & Pulling hoist in steel cast. Hardened gears, bearing bushings and gear bearings for life long use.

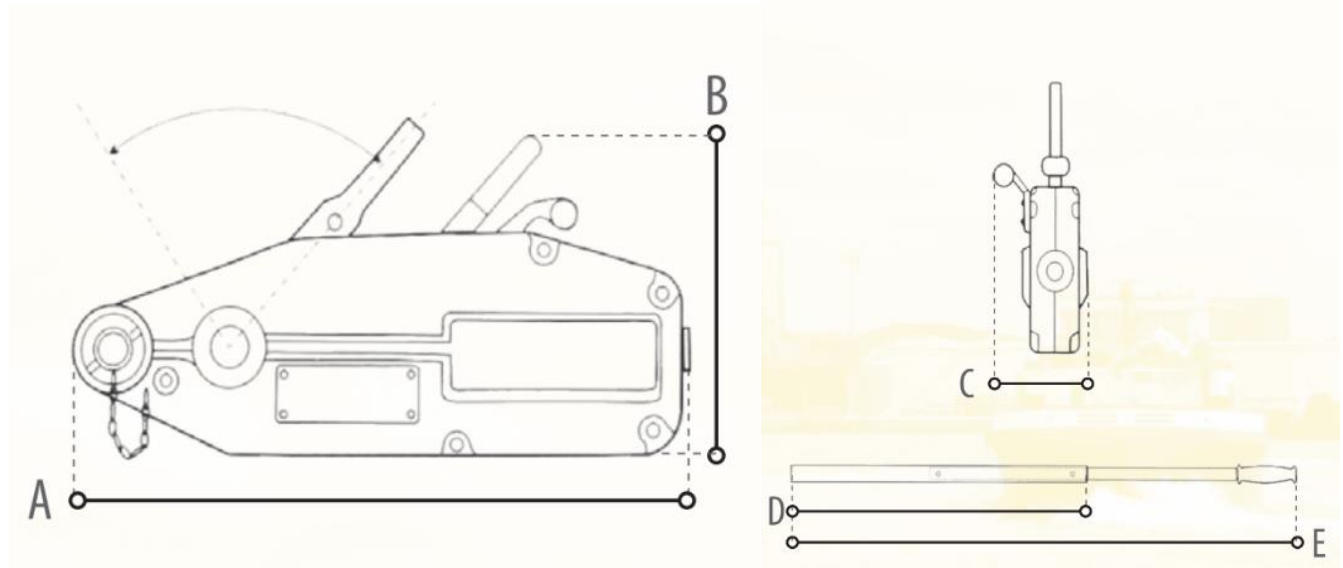
WPH lift- & Pulling Hoist



Specifikationer

Part no.:	Max Load (Lift / Pull)	Max Wire capacity	Weight
WPH08	800 / 1200 kg	Ø5mm x 20m**	8,3 kg
WPH16	1600 / 2400 kg*	Ø5mm x 20m**	15,5 kg
WPH32	3200 / 4000 kg	Ø7mm x 20m**	28,8 kg

WPH – mm



Dim. in mm	A	B	C	D	E
WPH08	440	265	63	-	80
WPH16	550	300	77	80	120
WPH32	690	350	91	80	120

DV2500i / DV3500i / DV4500i
12 - 24V 2,7 – 4T WIRESPIIL

Winch meets: Machine Directive (CE)

Heavy Duty Engine that via a 3 step plane gear supplies high torque and speed on the wire. With built-in control unit. Automatic outlet brake, manual free coupling of wire drum. Especially useful as self-recovery winch on ATV & 4WD vehicles, and for boat and car hauling trailers.

DV2500i/DV3500i/DV4500i (12V/24V DC)



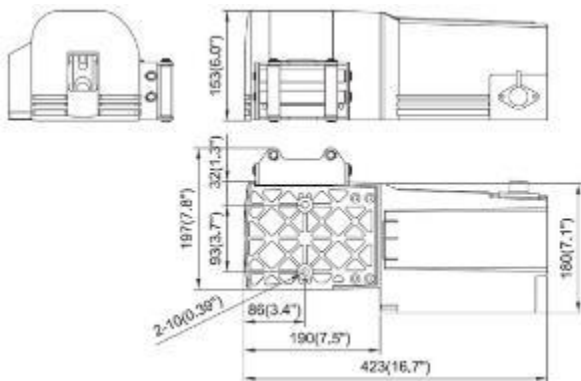
COUW5000i12V



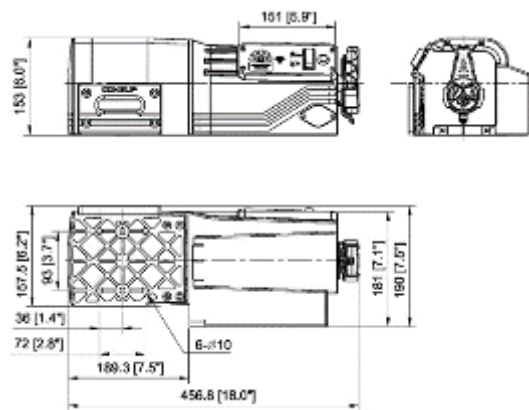
Specifikationer

Part No.:	Max pull (Inner layer)	Voltage/ Hp/Effect	Plane gear Differential	Drum Diam.	Wire speed (Inner Layer) Unloaded	Max Wire capacity	Weight
DV2500i12V	1,1T	12V/0,8 Hk 600W	170:1	Ø54 x 83mm	5m/min	Ø4,8mm x 15,2m	13,5kg
DV2500i24V	1,1T	24V/0,8 Hk 600W	170:1	Ø54 x 83mm	5m/min	Ø4,8mm x 15,2m	13,5kg
DV3500i12V	1,5T	12V/1,2 Hk 900W	170:1	Ø54 x 83mm	6,5m/min	Ø5,5mm x 15,2m	13,9kg
DV3500i24V	1,5T	24V/1,2 Hk 900W	170:1	Ø54 x 83mm	6,5m/min	Ø5,5mm x 15,2m	13,9kg
DV4500i12V	2T	12V/1,6 Hk 1.200W	170:1	Ø54 x 83mm	6,5m/min	Ø6,3mm x 15,2m	14,2kg
DV4500i24V	2T	24V/1,6 Hk 1.200W	170:1	Ø54 x 83mm	6,5m/min	Ø6,3mm x 15,2m	14,2kg
COUW5000i12V	2,2T	12V/1,7HK 1300W	170:1	Ø54 x 83MM	6m/min	Ø6,3 x 15,2m	12,7kg

DV2500i / DV3500i / DV4500i (12V) mm/in



COUW5000i (12V) mm/in



Standard Accesories - DV-Series:	Part No.:	Extras:	Part No.:
Controller	FJE050	Snatch block DV2500i	KAS060
Wire w. safety hook		Snatch block DV3500i, DV4500i, COUW	KAS080
Manual free coupling		Mounting plate	
Wire guide	RUL040		
Wire press			
Standard Accesories – COUW5000i12V		Options:	
Radio Controller		Radio Controller	RAD102R
Dyneema Rope			
Manual Free coupling			
Rope guide			

DV-6 / DV-9, 12 - 24V 2,7 – 4T WINCH

Winch meets Machine directive (CE)

Winch from ComeUp with heavy duty Engine, that via 3 step plane gear delivers high torque and wire speed. The winches has separate control unit, so mount in to convenience. Automatic cone brake on outlet. Manual free coupling of the drum in standard – air controlled free coupling: look in option. Essential as front winch on 4Wd Winches and auto transporters.

DV-9 (12V/24V DC)



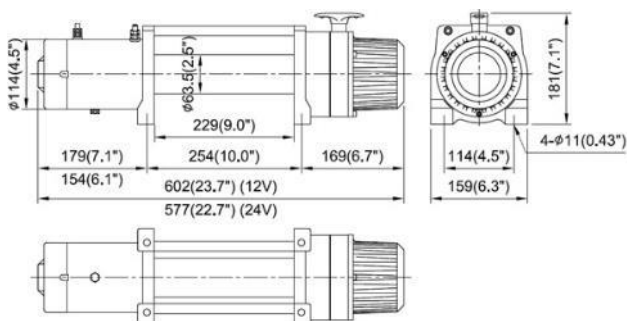
DV-6S (12V DC)



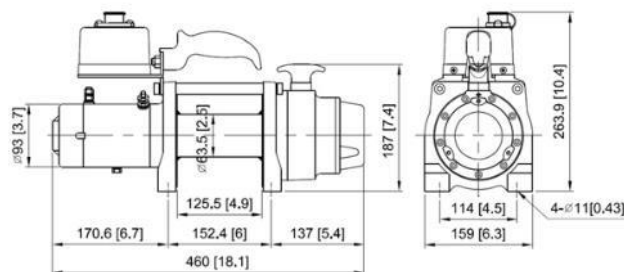
Specifications

Part No.:	Max pull (Inner Layer)	Voltage/ Hp/Effect	Plane gear Differential	Drum Diam.	Wire Speed (Inner Layer) Unloaded	Max Wire capacity	Winch Weight
CODV6S12V	2,7T	12V/3,2Hk 2.390W	261:1	Ø63,5 x 125,5mm	8m/min	Ø7,1mmX24,4m	22,8kg
CODV912V	4T	12V/4,6Hk 3.430W	156:1	Ø89 x 206mm	6,9m/min	Ø12mmX30m	33kg
CODV924V	4T	24V/2,6Hk 1.940W	156:1	Ø89 x 206mm	6,9m/min	Ø12mmX30m	33kg

DV-9 (12V/24V) mm/in



DV-6S 12V mm/in



Special Accessories CODV9 12V:	Part No.:	Extras:	Part No.:
Controller 6b m. 5m Cable	CO880126	Snatch Block	KAS080
Control Unit DV-9(12V)	CO88116412V	Mounting Plate	COWA0702
Control Unit DV-9(24V)	CO88116524V	Options:	Part No.:
Wire w. Safety Hook	FRI090	Radio Controller	RAD102R
Manual Twist Free Coupling	RUL060	Mechanic free coupling	FRI092
Rolling guide		Air Free Coupling	FRI110
		Locking of free Coupling	PRO090



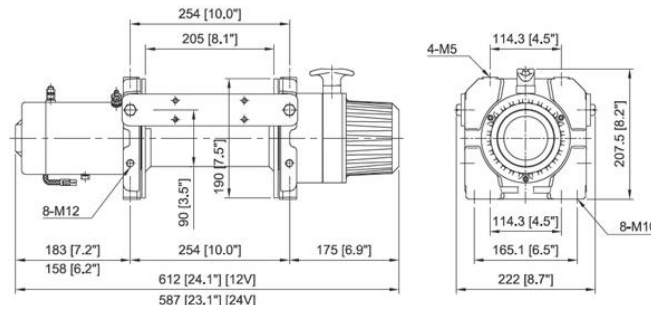
RHINO 12V / 24V 3,6 – 5,4 -6,8T WINCH

Winch Meets Standards:
EN14492-1
Machinery Directive(CE)

Pulling Winch from ComeUp in 3 sizes. Heavy duty Engine delivers high torque and wire speed; gearbox with 3 step plan gear of hardened steel; Automatic Cone Brake on outlet. Manual Free coupling of wire drum; Separate waterproof power unit with built-in automatic fuse for protection. Essential as boat haling winch.



Rhino 8 (12V/24V DC)



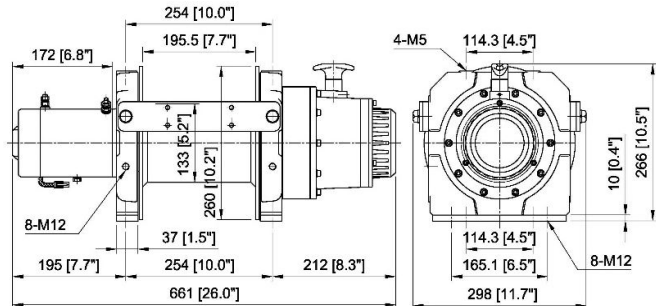
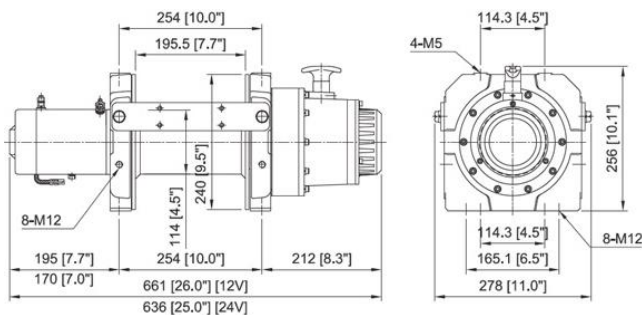
Specifikationer

Part No.:	Max Pull (Inner Layer)	Voltage/ Hp/Effect	Differential	Drum Diam.	Wire Speed (Inner Layer) Unloaded	Max Wire capacity	Winch Weight
CORHINO0812*	3,56T	12V/4,6Hk 3.460W	211:1	Ø90 x 205mm	9m/min	Ø10mmx30m	31,8 kg
CORHINO0824*	3,56T	24V/2,6Hk 1.940W	211:1	Ø90 x 205mm	9m/min	Ø10mmx30m	31,8 kg
CORHINO1212*	5,1T	12V/5,6Hk 4.180W	315:1	Ø114x195,5mm	10m/min	Ø12mmx30m	45,4 kg
CORHINO1224*	5,1T	24V/3,6Hk 2.690W	315:1	Ø114x195,5mm	10m/min	Ø12mmx30m	45,4 kg
CORHINO1524*	6,8T	24V/7,0Hk 5.250W	315:1	Ø133x195,5mm	12,6m/min	Ø12mmx37m	59,0 kg

*) Winch delivered Std. Without wire – Check wire catalogue for Winch data follows EN 14492-1

Rhino 12(12V/24V DC) – mm/in

Rhino 15 (24V DC) – mm/in



Walrus 16.0 / 20.0 12- 24V DC 7,4 – 9T WINCH

IP68 standard: Winch meets IEC 60529 edition 2.1:2001 IP68
Spil Meets: Machine directive (CE)

Pulling winch with heavy-duty engine, supplying high torque and low wire speed; greased Gearbox with 3 step plane gear and automatic cone brake. Manual mechanic free coupling of wire drum, separate power unit with built-in automatic safety protecting against short circuit. The winch is waterproof and meets the international standard IP68.

Especially convenient for military applications etc.

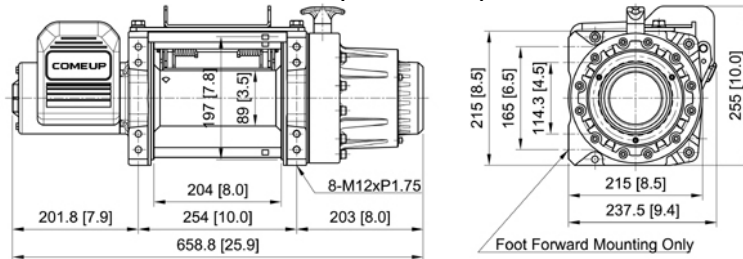
Walrus 16.0 & 20.0 (12V/24V DC)



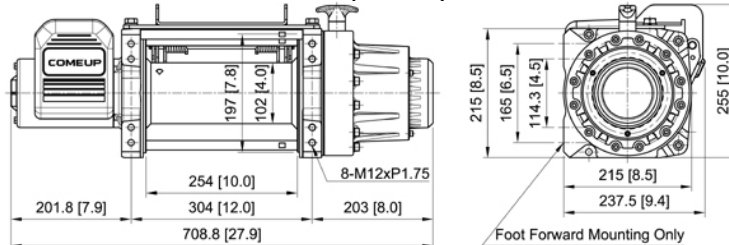
Specifications

Part no.:	Max pull (Inner layer)	Voltage/ HK/Effect	Plane gear Differential	Drum Diam.	Wire speed (Inner layer) Unloaded	Max Wirecapacity	Winch Weight
COWALRUS1612V	7,4T	12V/5,8Hk 4.325W	343:1	Ø89 x 204mm	6,4m/min	Ø11,1mm x 27m	72 kg
COWALRUS1624V	7,4T	24V/3,8Hk 2.834W	343:1	Ø89 x 204mm	6,4m/min	Ø11,1mm x 27m	72 kg
COWALRUS2024V	9T	24V/6Hk 4.474W	343:1	Ø102 x 254mm	7,0m/min	Ø12,7mm x 24m	80 kg

Walrus 16.0 (12V/24V DC) – mm/in



Walrus 20.0 (24V DC) – mm/in



Standard Accessories:	Part no.:	Ekstra Accessories:	Part no.:
Controller w. 6 plug & 4m cabel	CO880126	Snatch Block	KAS113
Manual Free coupling		Mounting plate	
Power Unit (12v)	CO88116412V		
Power Unit (24v)	CO88116524V		
Rolling Guide	RUL165A		
Wirepress	WIR018		
Wire			
		Options:	Part no.:
		Radiostyring	RAD102R

Wolf 8,5 & 12 / 12- & 24V DC 3,8 og 5,4T WINCH

Winch meets the Machinery Directive (CE)

Robust, extreme heavy-duty worm drive. Heavy-duty series-wound motor for high torque output and fast line speed under extreme operating condition. Detachable weather-resistant control box mounted elsewhere on the vehicle. 2 stages spur gears plus 1 exceptionally strong worm gear for reversing protection. Irreversible worm gear brake as well as an auxiliary mechanism ratchet wheel brake performs instant braking and free slip. Mechanism lever clutch for rapid wire rope payout. Heavy duty sealed contactor gives better water resistance and lower amp. draw. Higher D/d ratio (Drum dia./rope dia.) allows light commercial applications of car transporter, wrecker, tractor, lorry and fire/rescue engine. Meets SAE J706, CE Machinery Directive 2006/42/EC and REMSA Standards.

Wolf 8.5 & 12 (12V/24V DC)

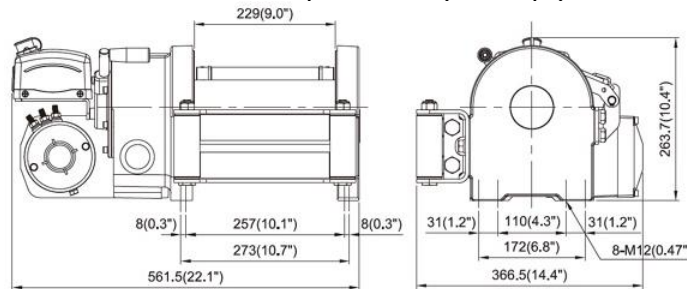


Specifications

Part no.:	Max Pull (Inner layer)	Voltage/ HK/Effekt	Differential	Drum Diam.	Wire Speed (inner layer) Unloaded	Max Wire capacity	Winch Weight
WOLF8512V	3,8T	12V/4,6Hk 3.430W	228,9:1	Ø89x229mm	10,6m/min	Ø8mmx45m	40kg
WOLF8524V	3,8T	24V/2,6Hk 1.940W	228,9:1	Ø89x229mm	10,6m/min	Ø8mmx45m	40kg
WOLF1212V	5,4T	12V/4,6Hk 3.430W	424:1	Ø89x229mm	6,3m/min	Ø9,5mmx30,5m	41kg
WOLF1224V	5,4T	24V/3,0Hk 2.240W	424:1	Ø89x229mm	6,3m/min	Ø9,5mmx60,5m	41kg

*) Winch delivered std. Without wire. Check out our winch catalogue for options.

Wolf 8.5 & 12 (12V/24V DC) – mm(in)



Standard accessories:	Part no.:	Extra accessories:	Part no.:
Controller w. 6 pin plug & 4m cable	CO880126	Snatch Block Wolf 8,5	KAS080
Manual free coupling wolf		Snatch Block Wolf 12	KAS113
Control unit Wolf 12 12v	CO88116412V	Mounting plate	
Control unit Wolf 12 24v	CO88116524V		
Control unit Wolf 8,5 12v			
Control unit Wolf 8,5 24v			
Rolling Guide Wolf	RUL165A		
Wirepress Wolf	WIR018		
Wire Steel Wolf			
		Options:	Part no.:
		Radio controller	RAD102R

DH120 / 300 / 500 12/24V
300 – 500 kg Hoist

12/24 volt reversible permanent magnet motor. Low amp. draw and low sound level. Smooth running over heavy-duty the speed range. 25% ED duty cycle and maximum starting frequency of 150 times/h at 63% load.

DH120 (12V/24V DC)



DH300 (12V/24V DC)



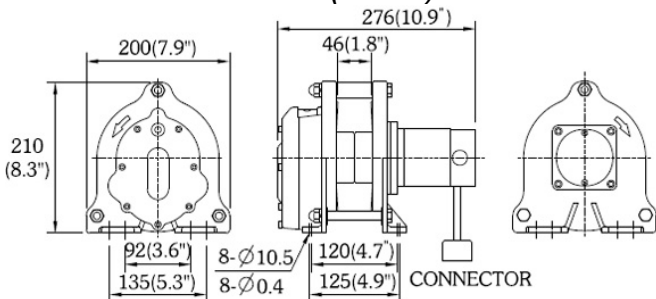
DH500 (12V/24V DC)



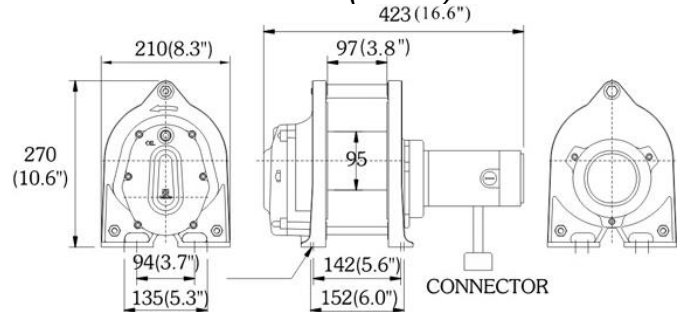
Specifikationer

Part no.:	Max lift Outer layer	Voltage/ Hp/Effekt	Differential	Drum Diam.	Wire Speed (Outer layer) Unloaded	Maks. Wirekapacitet	Winch Weight
DH120	120 kg	12V/0,14 Hk 100W	46:1	Ø70 x 46mm	5m/min	Ø4mm x 5m	8,5kg
DH120A	120 kg	24V/0,14 Hk 100W	46:1	Ø70 x 46mm	5m/min	Ø4mm x 5m	8,5kg
DH300	300 kg	12V/0,41 Hk 300W	240:1	Ø95 x 97mm	5m/min	Ø4,8mm x 12m	14kg
DH300A	300 kg	24V/0,41 Hk 300W	240:1	Ø95 x 97mm	5m/min	Ø4,8mm x 12m	14kg
DH500	500 kg	12V/0,41 Hk 300W	276:1	Ø95 x 97mm	3m/min	Ø6,2mm x 12m	14kg
DH500A	500 kg	24V/0,41 Hk 300W	276:1	Ø95 x 97mm	3m/min	Ø6,2mm x 12m	14kg

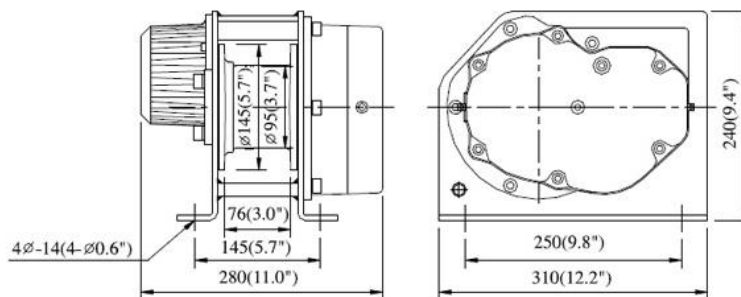
DH120 / DH120A (12v/24v) – mm/in



DH300 / DH300A (12v/24v) – mm/in



DH500 / DH500A (12v/24v) – mm/in



Standard accessories:	Part no.:	Ekstra tilbehør:	Part no.:
Switch w. emergency stop	REM208	Bracket for pole mounting	COPH0001000
Control unit DV (12V)		Swivelarm for scaffold	KON065
Control unit DV (24V)		Optioner:	Part no.:
Wire w. Safety hook DH120 & DH300	KRO100	Inlet top	STO130
Wire w. hook weight DH500		Radio controller	RAD102R

GTD 12 / 24V 295 – 1.270 kg Lifting Winch

Winch meets the Machinery Directive (CE)

Provides an answer to the health and safety recommendations for manual lifting. High efficient low amp. draw and sealed permanent magnet motor. Lightweight and compact design is ideal for easy installation. Mechanical cone brake and permanent motor dynamic brakes together for safe, controlled load. Waterproof industrial remote control with 5 m lead. Full metal 3 stage planetary gear train for greater pulling force. Submersible sealed contactor handles high amps and allows higher duty cycle. In compliance with standard of ASME B30.5 for D/≥18 and rope safety factor ≥3.5

GTD (12V/24V DC)



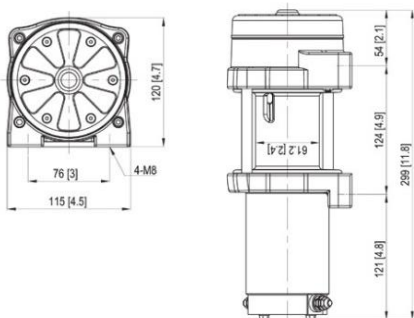
GTD2200 (12V/24V DC)



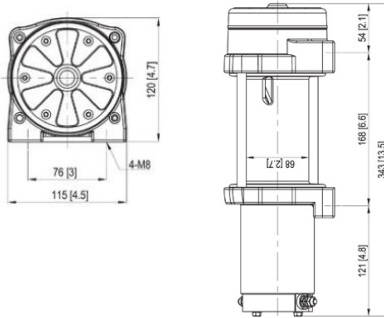
Specifikationer

Part no.:	Max Pull (Inner layer)	Voltage/ HK/Effekt	Differential	Drum Diam.	Wire Speed (inner layer) Unloaded	Max Wire capacity	Winch Weight
COGTD65012	295 kg	12V/1 Hk 800W	138,5:1	Ø61,2x75mm	4,3m/min	Ø3,6mmx18,3m	7,7kg
COGTD65024	295 kg	24V/1 Hk 800W	138,5:1	Ø61,2x75mm	5m/min	Ø3,6mmx18,3m	7,7kg
COGTD80012	362 kg	12V/1 Hk 800W	191:1	Ø68x119 mm	3,6m/min	Ø4mmx18,3m	12,2kg
COGTD80024	362 kg	24V/1 Hk 800W	191:1	Ø68x119 mm	4,2m/min	Ø4mmx18,3m	12,2kg
COGTD120012	544 kg	12V/1,2 Hk 900W	216:1	Ø89x73 mm	7,4 m/min	Ø4,8mmx18,3m	15,3kg
COGTD120024	544 kg	24V/1,2 Hk 900W	216:1	Ø89x73 mm	5,9 m/min	Ø4,8mmx18,3m	15,3kg
COGTD220012	907 kg	12V/3,8 Hk 2.830W	211:1	Ø108x105mm	4,5m/min	Ø6,4mmx30m	33,9kg
COGTD220024	907 kg	24V/2,6 Hk 1.940W	211:1	Ø108x105mm	5,8m/min	Ø6,4mmx30m	33,9kg
COGTD280012	1.270 kg	12V/3,8 Hk 2830W	261:1	Ø135x114,6mm	4,6m/min	Ø7,9mmx28m	48,1kg
COGTD280024	1.270 kg	24V/2,6 Hk 1.940W	261:1	Ø135x114,6mm	6m/min	Ø7,9mmx28m	48,1kg

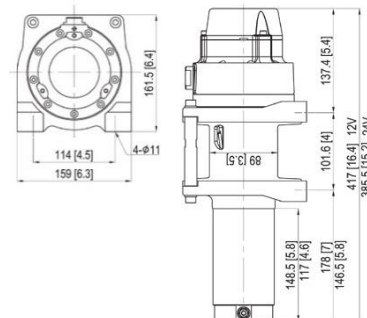
GTD650 (12v/24v) – mm/in



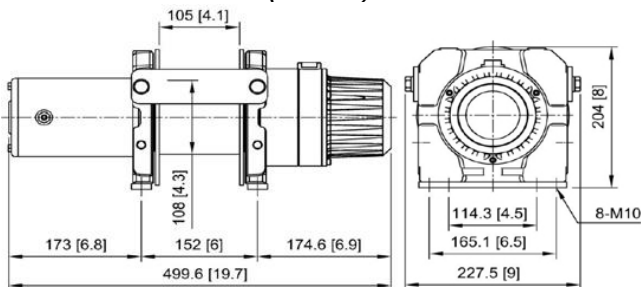
GTD800 (12v/24v) – mm/in



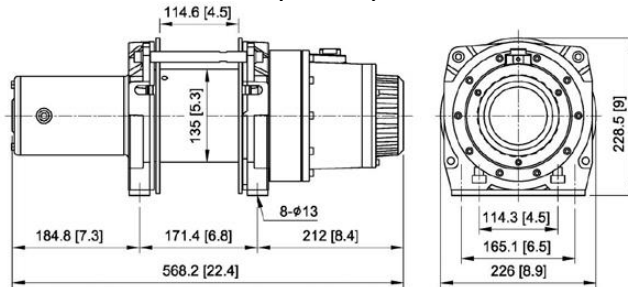
GTD1200 (12v/24v) – mm/in



GTD2200 (12v/24v) – mm/in



GTD2800 (12v/24v) – mm/in



Standard accessories:	Part no.:	Extra accessories:	Part no.:
Controller with emergency stop	REM210	Snatch Block	KAS080
Control unit DV (12V)			
Control unit DV (24V)		Options:	Part no.:
Wire w. safety hook		Radio Controller	RAD102R
		Inlet stop	STO130

CWS160 / CWS230 / CWS300 / CWS500

230v 160 – 500 kg Hoist

Winch meets machinery directive (CE)

Lightweight and compact design Allows easy installation **Upper hoisting limit switch** When rope touches the limit arm, hoisting is automatically stopped **Lower hoisting limit switch** Sensor arm automatically stops motor if the wire rope is under-wound **Dynamic and mechanical ratchet brake** Double ratchet pawl brakes provide instant and safe braking. Can operate on standard domestic power supply. Wire rope comes with a safety-latch weight hook. Incl. Emergency stop function switch.

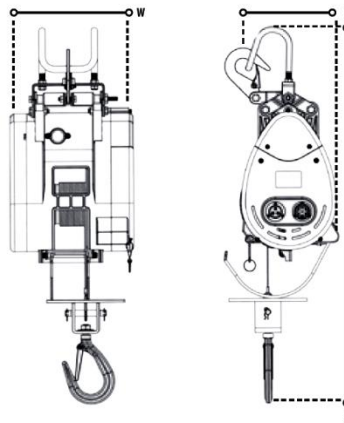
CWS160 (230V)



Specifications

Part no.:	Max Lift (outer layer)	Effect/source	Wire speed unloaded	Max wire capacity	Winch Weight
CWS160	160 kg	1,2kw/ 230V 1 fase	23m/min	Ø5mm x 30m	15kg
CWS230	230 kg	1,3kw/ 230V 1 fase	23m/min	Ø5mm x 30m	16kg
CWS300	300 kg	1,3kw/ 230V 1 fase	15m/min	Ø6mm x 30m	20kg
CWS500	500 kg	1,8kw/ 230V 1 fase	12m/min	Ø7mm x 20m	21kg

CWS160/CWS230/CWS300/500 – mm/in



Standard accessories:	Part No.:	Extra accessories:	Part no.:
Switch w. 10m cable Power Cable 5m Wire Inlet stop Swivel hook	REM210 KAB512	Extender cable for switch Bracket for pole mounting Sviwel mount for scaffold	KAB512 COPH0001000 KON065
		Options: Radio control* Low voltage control unit	Part no.: RAD102AC*

*only with low voltage control unit

CWL200L CWL301L 230v
200 – 300 kg Hoist

Winch meets machinery directive (CE)

Lightweight and compact design for easy installation. Double mechanical ratchets brake provide instant and safe braking. Operates on standard household power supply. Wire rope comes with a safety-latch weight hook. Enclosed drum flange prevents ropes becoming trapped between drum and support castings. Emergency stop function switch and bracket for foot control included. Best solution for wind energy turbines for efficient and economical operation at great heights

CWL200L (230V)



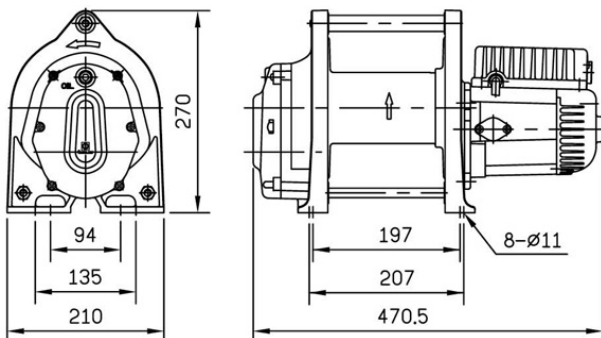
CWL301L (230V)



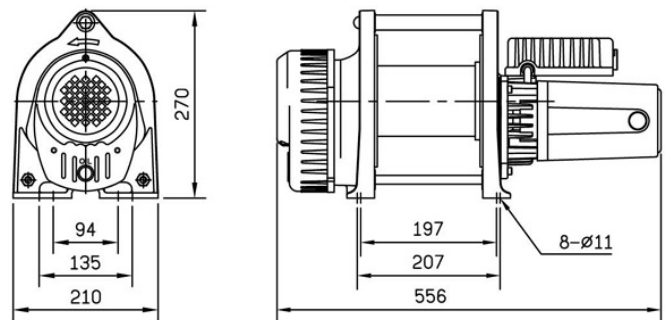
Specifications

Part no.:	Max Lift (outer layer)	Effect/ source	Difference ntial	Drum Diam.	Wire speed unloaded Inner-Outer layer	Max wire capacity	Winch Weight
CWS160	160 kg	1,2kw/ 230V 1 fase	240:1	Ø95 x 147mm	11-16m/min	Ø5mm x 71m	33kg
CWL301L	300 kg	2,3kw/ 230V	110:1	Ø95 x 147mm	16-25m/min	Ø6mm x 60m	40kg

CWL200L – mm/in



CWL301L – mm/in



Standard accessories:	Part No.:	Extra accessories:	Part no.:
Switch w. emergency stop & 6m cable Wire Hook weight	REM208 KRO100	Crane Block WWL 1000kg Inlet stop for lifting winch	KRA110 STO130
		Options: Radio control* Low voltage control unit	Part no.: RAD102AC*

*only with low voltage control unit

**CP200/CP250/CP300/CWG10077/
CWG30075-L 230v AC / 200 – 300 kg Lifting Winch**

Winch meets machinery directive (CE)

Positive retention of wire rope on to drum. Electromagnetic spring-applied failsafe brake. Heavy duty high efficiency ball bearing on all running surfaces. Planetary gears for maximum mechanical efficiency. Enclosed drum flanges to prevent rope becoming trapped between drum and support steel plates. Quiet running. Incl. Emergency stop function switch, Low voltage control ass'y and foot bracket.

CP200/250/300 (240V)



CWG10077 (230V)



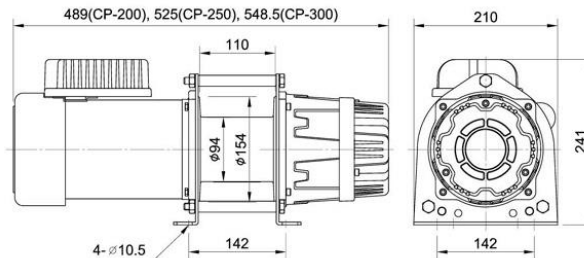
CWG30075/CWG30075L (400V)



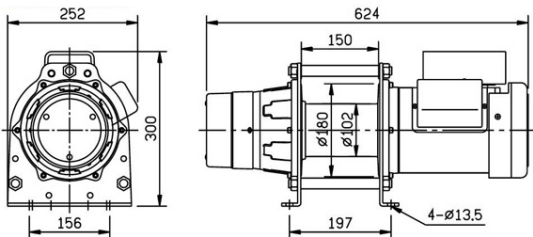
Specifications

Part no.:	Max Lift (outer layer)	Effect/ source	Differential	Drum Diam.	Wire speed unloaded Inner-Outer layer	Max wire capacity	Winch Weight
CP200	200 kg	0,6kw/230V	43:1	Ø94 x 110mm	10-15m/min	Ø6mm x 30m	32kg
CP250	250 kg	0,75kw/230V	43:1	Ø94 x 110mm	10-15m/min	Ø6mm x 30m	34kg
CP300	300 kg	1,1kw/230V	43:1	Ø94 x 110mm	10-15m/min	Ø6mm x 30m	38kg
CWG10077	300 kg	1,5kw/ 230V	41:1	Ø102 x 150mm	12-19m/min	Ø6mm x 60m	42kg
CWG30075	300 kg	0,75kw/ 400V	43:1	Ø94 x 110mm	10-15m/min	Ø6mm x 60m	32kg
CWG30075L*	300 kg	0,75kw/ 400V	43:1	Ø94 x 110mm	10-15m/min	Ø6mm x 60m	32kg

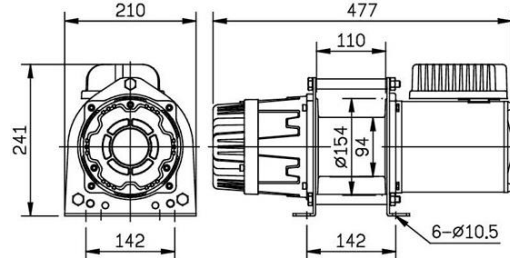
CP200/CP250/CP300 – mm/in



CWG10077 – mm/in



CWG30075/CWG30075L – mm/in



Standard accessories:	Part No.:	Extra accessories:	Part no.:
Switch w. emergency stop & 6m cable Wire Hook weight	REM208	Crane Block WWL 1000kg	KRA110
	KRO100	Crane Block SWL 2000kg	KRA120
		Bracket for pole mounting	COPH000100
		Swivel mounting for scaffold	KON065
		Options:	Part no.:
		Radio controller	RAD102AC*
		Inlet stop for lifting winches	STO130
		Low voltage control unit 24v AC	COLV230

Low voltage control unit is extra accessories for CP200, 250 & 300 and CWG10077/CWG30075 (L)

*only functional w. low voltage control unit.

COMEUP CP500/CP500T/ CP750T 230v/400v 500 – 750 kg Løftespil

Winch meets machinery directive (CE)

Positive retention of wire rope on to drum. Electromagnetic spring-applied failsafe brake. Heavy duty high efficiency ball bearing on all running surfaces. Planetary gears for maximum mechanical efficiency. Enclosed drum flanges to prevent rope becoming trapped between drum and support steel plates. Quiet running. Incl. Emergency stop function switch, Low voltage control ass'y and foot bracket.

CP500/CP500T (230V / 400V)



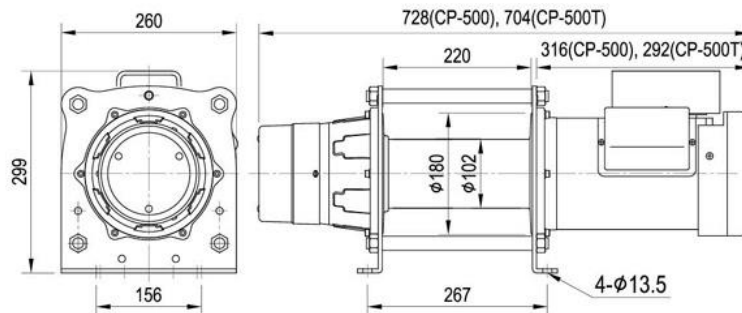
CP750T (400V)



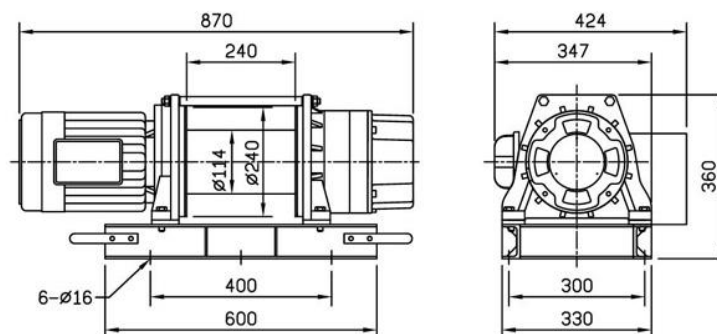
Specifications

Part no.:	Max Lift (outer layer)	Effect/ source	Differential	Drum Diam.	Wire speed unloaded Inner-Outer layer	Max wire capacity	Winch Weight
CP500	500 kg	1,8kw/ 230V	48:1	Ø102 x 220mm	10-15m/min	Ø7mm x 60m	55kg
CP500T	500 kg	1,8kw/ 400V	42:1	Ø102 x 220mm	12-18m/min	Ø7mm x 60m	54kg
CP750T	750 kg	2,2kw/ 400V	58:1	Ø114 x 240mm	10-15m/min	Ø9mm x 60m	135kg

CP500/CP500T – mm/in



CP750T – mm/in



Standard accessories:	Part No.:	Extra accessories:	Part no.:
Switch w. emergency stop & 6m cable Wire	REM208	Crane Block WWL 1000kg	KRA110
Hook weight	KRO100	Crane Block SWL 2000kg	KRA120
Low voltage control unit 24v AC	COLV230		
		Options:	Part no.:
		Radio controller	RAD102AC
		Inlet stop for lifting winches	STO130

COMEUP CWG 230v-440v 500-5000kg Lifting winch

Winch meets machinery directive (CE)

Electromagnetic spring-applied failsafe brake. Heavy duty high efficiency ball bearing on all running surfaces. Planetary gears for maximum mechanical efficiency. Enclosed drum flange to prevent rope becoming trapped between drum and support castings. Cast steel foot mountings. Fabricated steel drum. Supplied on steel base plate ready to mount. Quiet running. Emergency stop function switch included. Low voltage control ass'y is Included.

CWG10151 / CWG30151 (230V / 400V)



CWG30375 / CWG30565 / CWG30750 / CWG31500 / CWG34000 (400V)



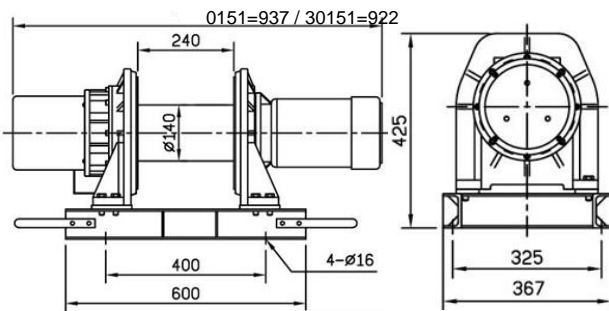
Specifications

Part no.:	Max Lift (outer layer)	Effect/ source	Differential	Drum Diam.	Wire speed unloaded Inner-Outer layer	Max wire capacity	Winch Weight
CWG10151**	400 kg	1,5kw/ 230V	57:1	Ø140 x 240mm	12-18m/min	Ø9mm x 60m	120 kg
CWG30151**	500 kg	1,5kw/ 400V	57:1	Ø140 x 240mm	12-18m/min	Ø9mm x 60m	120 kg
CWG30375**	900 kg	3,8kw/ 400V*	48:1	Ø127 x 230mm	13-20,6m/min*	Ø10mm x 60m	185 kg
CWG30565**	1100 kg	5,5kw/ 400V*	50:1	Ø140 x 312mm	14-25m/min*	Ø12mm x 100m	250 kg
CWG30750**	2200 kg	5,5kw/ 400V*	127:1	Ø178 x 410mm	6,9-12,6m/min*	Ø16mm x 100m	400 kg
CWG31500**	3500 kg	5,5kw/ 400V*	192:1	Ø356 x 405mm	5,8-8m/min*	Ø18mm x 150m	800 kg
CWG34000	5000 kg	11kw/ 400V*	197:1	Ø324 x 380mm	8-12,2m/min*	22,4mm x 200m	1.380 kg

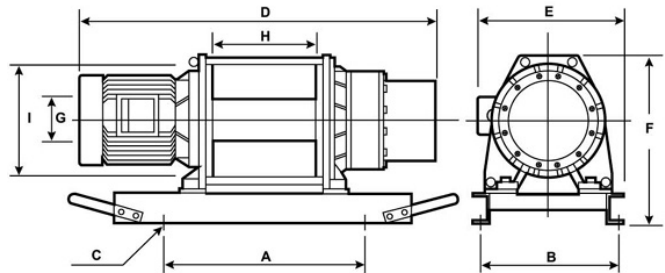
*see data sheet for further specifications and effect option.

**Winch supplied std. With low voltage control unit 24V AC (COLV320)

CWG10151/CWG30151 – mm/in



CWG30075/CWG30075L – mm/in



Part no.:	Bolt Dim.			D	E	F	G	H	I
	A	B	C						
CWG30375	500	370	4-Ø19	974	400	445	127	230	275
CWG30565	620	425	4-Ø19	1.120	470	520	140	312	320
CWG30750	600	499	4-Ø22	1.246	565	658	178	312	410
CWG31500	847	680	8-Ø28	1.439	740	860	356	405	570
CWG34000	920	680	8-Ø32	1.860	740	905	324	680	570

Standard accessories:	Part No.:	Extra accessories:	Part no.:
Switch w. emergency stop & 6m cable	REM208	Crane Block WWL 1000kg	KRA110
Hook weight WWL 1000 kg for CWG30151	KRO100	Crane Block SWL 2000kg	KRA120
Low voltage control unit 24V AC		Inlet stop for lifting winch	STO130
Low voltage control unit for CWG34000	COLV360	Options:	Part no.:
Wire Ø9mm x 60m with weight hook	CO 880823	Radio control	RAD102AC

Safe-Winch AC10230 & AC10400 3 – 3,6T Winch

Winches meets:

- Machinery directive (CE)
- EN14492-1

Winch with heavy-duty engine delivering high torque and wire speed. Gearbox with 3 step planetary gear; automatic cone brake on outlet. Manual free coupling of drum. Especially applicable as boat hauling single gear winch, and double gear as slow-moving test winch.

AC10230 / AC10400 (230V / 400V)



Specifications

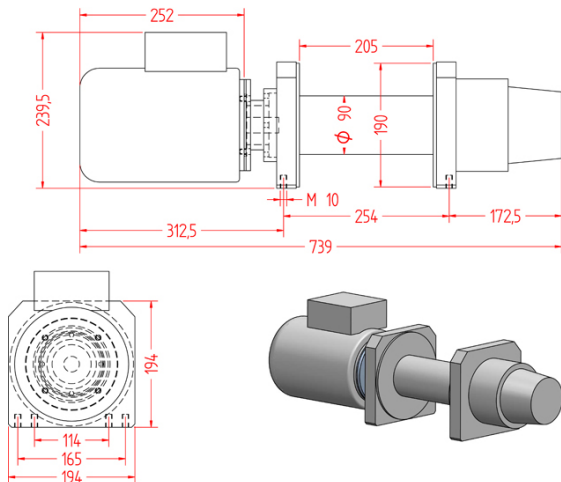
Part no.:	Max pull Inner layer	Voltage/effect	Motortype/Rp V/50hZ	Differential	Drum Diam.	Wirespeed (inner layer)	Max wire capacity
AC10230	3,0T	230V / 1,5KW	2900	1:1	Ø90 X 205mm	4,25m/min.	Ø10mm X 30m
AC10230	3,6T	230V / 2,2KW	2900	1:1	Ø90 X 205mm	4,25m/min.	Ø10mm X 30m
"					Ø90 X 205mm		Ø10mm X 30m
AC10400	3,6T	400V / 3KW	2900	1:1	Ø90 X 205mm	4,25m/min.	Ø10mm X 30m
"					Ø90 X 205mm		Ø10mm X 30m
"					Ø90 X 205mm		Ø10mm X 30m

Flank type. B5 / Differential on planetary gear: 211:1 - Winch Weight: Ca. 40kg excl. accessories & wire
Data follows EN 14 492-2 / 2007

AC10230 – mm

Sketch:

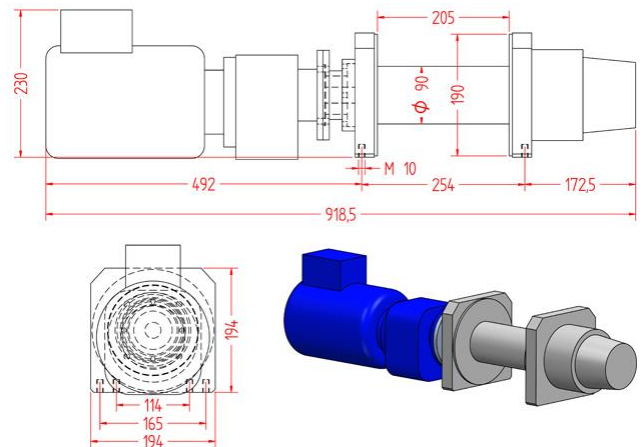
Single gear engine (varies according to engine sizes):



AC10400 – mm

Sketch:

Dual gear Engine (varies according to engine sizes):



Standard accessories:	Part no.:	Extra accessories:	Part no.:
Controller w. 5m Cable Power supply 3m cable & CEE plug Manual Freecoupling	REM208 KRO100	Rolling guide Wirepress Snatch Block Mounting plate Mechanic twist free coupling Air free coupling Locking of free coupling	RUL065A WIR016A KAS080 CO881085 FRI092 FRI110 PRO090
		Options: Softstart Frequency converter Control unit Radio controller	Part no.: REL340 RAD102AC

Safe-Winch AC10230 & AC10400 3 – 3,6T Winch



Winches meets:

- Machinery directive (CE)
- EN14492-1

Winch with heavy-duty engine delivering high torque and wire speed. Gearbox with 3 step planetary gear; automatic cone brake on outlet. Manual free coupling of drum. Especially applicable as boat hauling single gear winch, and double gear as slow-moving test winch.

AC10230 / AC10400 (230V / 400V)



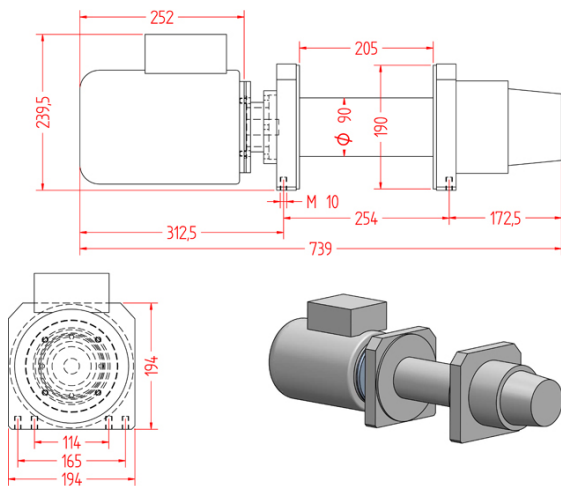
Specifications

Part no.:	Max pull Inner layer	Voltage/effect	Motortype/Rp V/50hZ	Differential	Drum Diam.	Wirespeed (inner layer)	Max wire capacity
AC10230	3,0T	230V / 1,5KW	2900	1:1	Ø90 X 205mm	4,25m/min.	Ø10mm X 30m
AC10230	3,6T	230V / 2,2KW	2900	1:1	Ø90 X 205mm	4,25m/min.	Ø10mm X 30m
"					Ø90 X 205mm		Ø10mm X 30m
AC10400	3,6T	400V / 3KW	2900	1:1	Ø90 X 205mm	4,25m/min.	Ø10mm X 30m
"					Ø90 X 205mm		Ø10mm X 30m
"					Ø90 X 205mm		Ø10mm X 30m

Flank type. B5 / Differential on planetary gear: 211:1 - Winch Weight: Ca. 40kg excl. accessories & wire
Data follows EN 14 492-2 / 2007

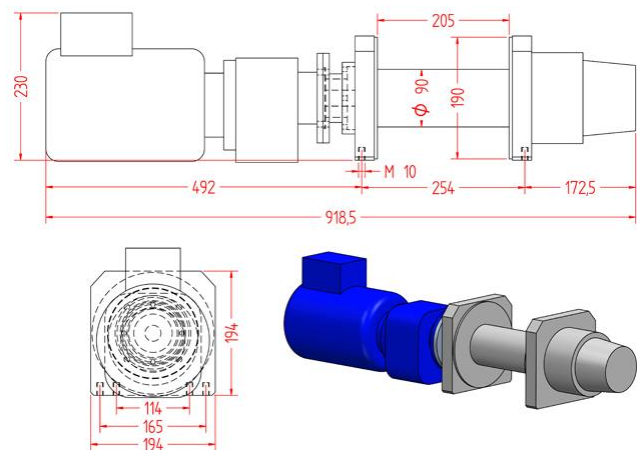
AC10230 – mm

Sketch:
Single gear engine (varies according to engine sizes):



AC10400 – mm

Sketch:
Dual gear Engine (varies according to engine sizes):



Standard accessories:	Part no.:	Extra accessories:	Part no.:
Controller w. 5m Cable Power supply 3m cable & CEE plug Manual Freecoupling	REM208 KRO100	Rolling guide Wirepress Snatch Block Mounting plate Mechanic twist free coupling Air free coupling Locking of free coupling	RUL065A WIR016A KAS080 CO881085 FRI092 FRI110 PRO090
		Options: Softstart Frequency converter Control unit Radio controller	Part no.: REL340 RAD102AC

APE 9 / 12 / 16 / 19

0,9 – 1,9T Hydraulic lifting winch

Winch meets:
Machinery directive (CE)
EN Standard: EN14492-1

Hydraulic Løfting winch with heavy duty Hydraulic enging, supplying high torque and wire speed. High efficient compact gearbox; "Multi-Disc Brake"(MDB) and lowering braking valve for stabilizing of the winch at max work load. Especially applicable for heavy-duty lifiting.

APE 9 / 12 / 16



APE 19

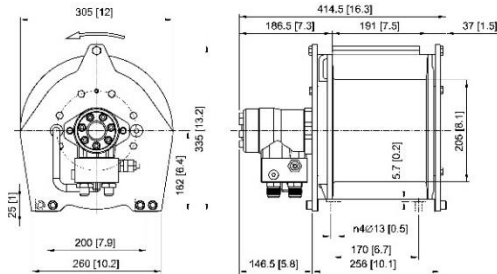


Specifikationer

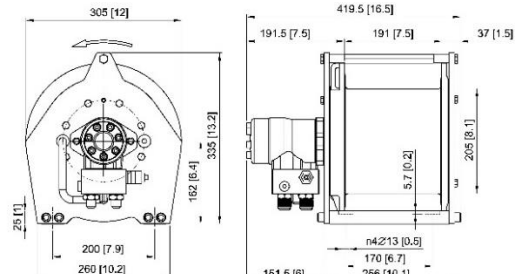
Part no.:	Max Lift (outer layer)	Effect/ source	Differential	Drum Diam.	Wire speed unloaded Inner layer	Max wire capacity	Winch Weight
COAPE9*	0,9T	5:1	140 bar	Ø205 x 191mm	30,1m/min	Ø8mm x 68m*	TBD
COAPE12*	1,2T	5:1	150 bar	Ø205 x 191mm	27,8m/min	Ø10mm x 55m*	TBD
COAPE16*	1,6T	5,8:1	205 bar	Ø210 x 191mm	43,4m/min	Ø10mm x 57m*	TBD
COAPE19*	1,9T	5,8:1	205 bar	Ø210 x 191mm	48m/min	Ø12mm x 48m*	TBD
COAPE19L*	1,9T	5,8:1	205 bar	Ø210 x 320mm	48m/min	Ø12mm x 82m*	TBD

*) Winch delivered std. Without wire. Check out wire catalogue for options.
Winch data Follows EN 14492-1.

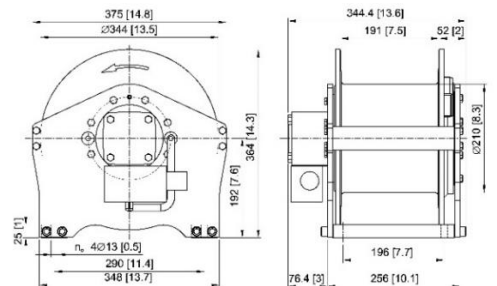
APE 9 – mm/in



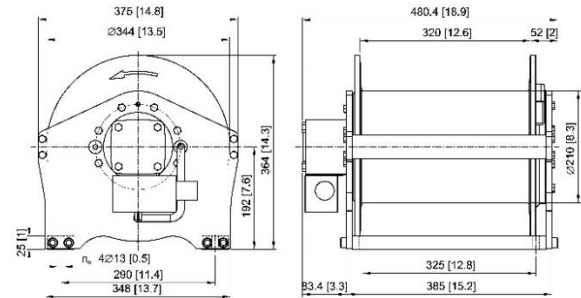
APE 12 – mm/in



APE 16 – mm/in



APE 19 – mm/in



Standard accessories:	Part No.:	Extra accessories:	Part no.:
Full-load MDB Brake Lowering valve		Wire Weight hook Snatch Block Inlet stop	STO130
		Options: Radio control	Part no.: RAD102RP

HV-8(L) & HV-10, 3,6 – 4,5T HYDRAULIC WINCH

EN Standard: EN14492-1

Heavy Duty industrial winch with Danfoss hydraulic engine that via a 2 step planetary gear, supplies high torque and wire speed. Integrated Disc-brake on out-let. The winches are standard equipped with lowering-braking valve, securing slow and controlled unloading of the wire. Winch are delivered std. with manual freecoupling.

HV-8 & HV-8L



HV-10

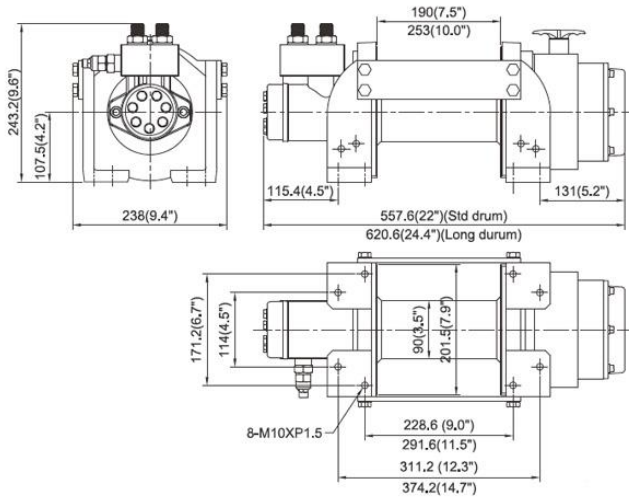


Specifications

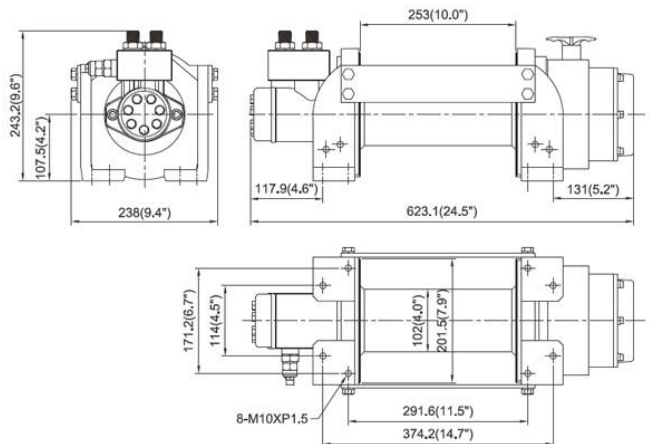
Part no.:	Max pull (inner layer)	Planetary gear Differential	Max. Oil pressure	Drum Diam.	Wire Speed unloaded (inner layer)	Max Wire capacity	Winch Weight
COHV8*	3,6T	16:1	150bar / 2.175psi	Ø90X190mm	15m/min v. 60l/min	Ø10mmX30m*	35,5kg
COHV8L*	3,6T	16:1	150bar / 2.175psi	Ø90X253mm	15m/min v. 60l/min	Ø10mmX40m*	37,5kg
COHV10*	4,5T	16:1	150bar / 2.175psi	Ø102X253mm	14m/min v. 60l/min	Ø11mmX27m*	37kg

*) Winch delivered std. Without wire. Check out our wire catalogue for options.
Winch data follows EN 14492-1.

HV-8 & HV-8L mm/in



HV-10 mm/in



Standard accessories:	Part no.:	Extra accessories:	Part no.:
Overcenter valve	VEN290	Wirepress short drum	WIR014
Rolling guide short drum	RUL067	Wirepress long drum	WIR015
Rolling guide long drum	RUL064	Snatch Block	KAS080
Manual Free coupling	FRI090	Mounting plate	COWA0706
		Options:	Part no.:
		Manual twist free coupling	FRI092
		Air free coupling	FRI110
		Locking of free coupling	PRO090



HV12 & HV-15, 5,4 – 6,8T HYDRAULIC WINCH

EN Standard: EN14492-1

Heavy Duty industrial winch with Danfoss hydraulic engine that via a 2 step planetary gear, supplies high torque and wire speed. Integrated Disc-brake on out-let. The winches are standard equipped with lowering-braking valve, securing slow and controlled unloading of the wire. Winch are delivered std. with manual freecoupling.

HV-12

HV-15



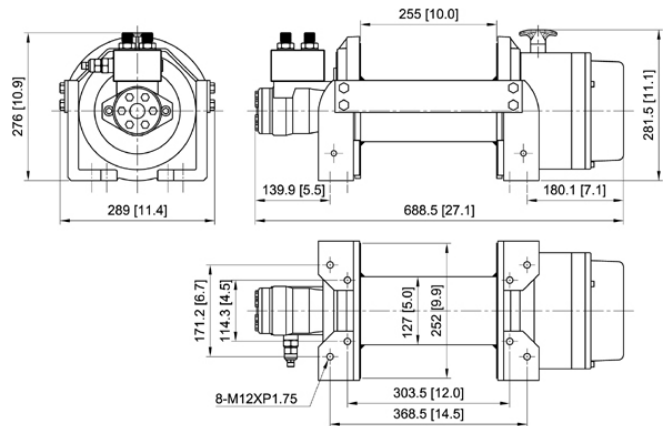
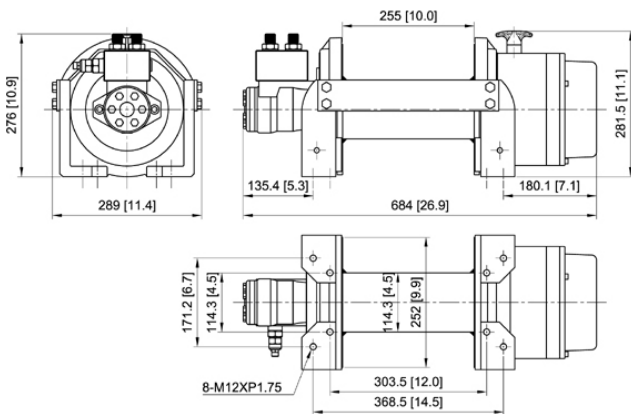
Specifications

Part no.:	Max pull (inner layer)	Planetary gear Differential	Max. Oil pressure	Drum Diam.	Wire Speed unloaded (inner layer)	Max Wire capacity	Winch Weight
COHV12*	5,4T	19,4:1	150bar / 2.175psi	Ø127X255mm	10m/min v. 60l/min	Ø12mmX39m*	71kg
COHV15*	6,8T	19,4:1	150bar / 2.175psi	Ø127X255mm	9m/min v. 60l/min	Ø14mmX27m*	72kg

*) Winch delivered std. Without wire. Check out our wire catalogue for options.
Winch data follows EN 14492-1.

HV-12 mm/in

HV-15 mm/in



Standard accessories:	Part no.:	Extra accessories:	Part no.:
Overcenter valve	VEN290	Wirepress	WIR015
Rolling guide	RUL064	Snatch Block	KAS080
Manual Free coupling	FRI090	Mounting plate	COWA0706
		Options:	Part No.:
		Manual twist free coupling	FRI092
		Air free coupling	FRI110
		Locking of free coupling	PRO090

BISON 20 – 30 – 40 – 50, 9 – 22,6T Hydraulic Industrial Winch

EN Standard: EN14492-1

Heavy Duty industrial Winch with Danfoss Hydraulic engine that by a 2-step planetary gear, supplies high torque and wire speed. Air free coupling that disconnects gear fully for pulling the wire out with ease. Multi-Disc Brake, which holds the full load. Lowering-Braking valve secures controlled unloading of the wire.

BISON 20



BISON 30



BISON 40-50

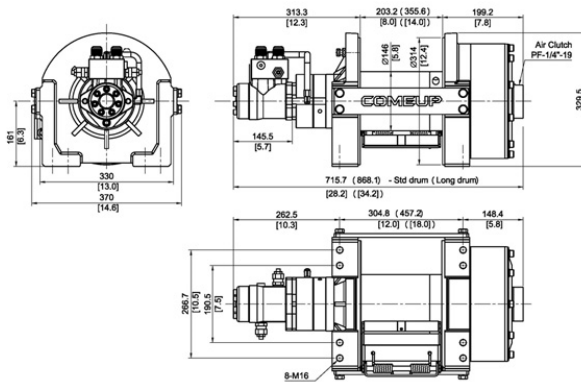


Specifications

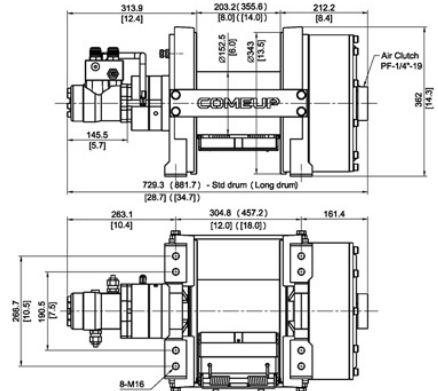
Part no.:	Max Pull Inner layer	Planetary Gear Differential	Max. Work load	Drum Diam.	Wire speed unloaded (int. layer)	Max. Wire capacity	Weight
COBISON20*	9T	30:1	175 bar	Ø146x203,2mm	7,1m/min v. 60l/min	Ø14mm X 43m*	135kg
COBISON20L*	9T	30:1	175 bar	Ø146x355,6mm	7,1m/min v. 60l/min	Ø14mm X 80m*	150kg
COBISON30*	13,6T	41:1	175 bar	Ø152,5x203,2mm	5m/min v. 60l/min	Ø16mm X 43m*	175kg
COBISON30L*	13,6T	41:1	175 bar	Ø152,5x355,6mm	5m/min v. 60l/min	Ø16mm X 75m*	197kg
COBISON40	18,1	41:1	200 bar	Ø180x368mm	7,1m/min v. 100l/min	Ø20mm X 54m*	374kg
COBISON50*	22,6T	44:1	175 bar	Ø180x368mm	5,7m/min v. 60l/min	Ø22,4mm X 48m*	394kg

* Winch delivered std. Without wire. Check out our wire catalogue for options. Winch data follows EN 14492-1.

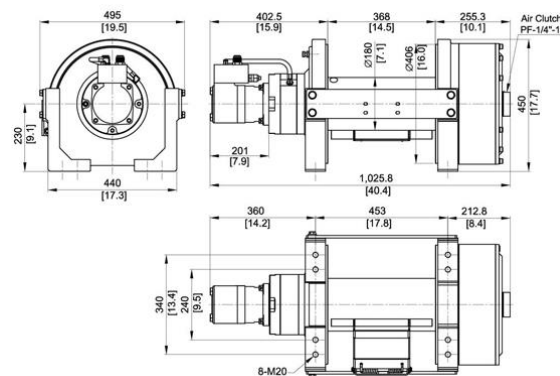
BISON 20 mm/in



BISON 30 mm/in



BISON 50 mm/in



Standard accessories:	Part no.:	Extra accessories:	Part no.:
Overcenter valve Rolling guide		Wirepress Snatch Block for Bison 20 Snatch Block for Bison 30 Snatch Block for Bison 50	KAS120 KAS140 KAS162

Kasteblokke

Kasteblok opfylder: Maskindirektivet (CE)

COMPEUP Kasteblokke

KAS040



KAS060



KAS070-080



KAS113

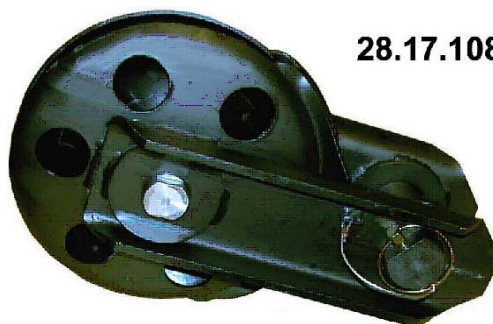


SEPSON Kasteblokke

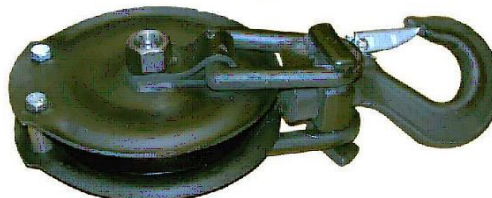
28.27.109 & 28.27.107



28.17.108



28.37.100



28.07.107

Specifikationer

Vare nr.:	Lev. Vare nr.:	Maks. Træk	Max rope diam. in	Wireskive diam. (i rille)	Vægt
KAS040	KAS040	250kg / 2,45 kN Løft	4,5 mm		0,5 kg
KAS060	WA0403	2,7T / 27 kN	5,6 mm	41 mm	0,9 kg
KAS070	WA0402	3T / 29,9 kN	7 mm	62 mm	0,9 kg
KAS080	WA0401	7T / 69,7 kN	10 mm	100 mm	2 kg
KAS113	WA0404	9T / 89,6 kN	14 mm	125 mm	4,7 kg
KAS100	28.07.107	10T / 100 kN	14 mm	125 mm	7 kg
KAS115	28.37.100	20T / 200 kN	16 mm	160 mm	10 kg
KAS130	28.17.108	30T / 300 kN	19 mm	200 mm	20 kg
KAS132	28.28.100	30T / 300 kN	16 mm	161 mm	9 kg
KAS158	28.27.107	40T / 400 kN	20 mm	217 mm	23 kg
KAS160	28.27.109	60T / 600 kN	28 mm	217 mm	23 kg

Kasteblokke

Blokke opfylder: Maskindirektivet (CE)
Samt EN Std. 14492-1-2006

KAS116K / KAS119K



KAS120(K) (DB) / KAS126K



KAS140K / KAS162(K)

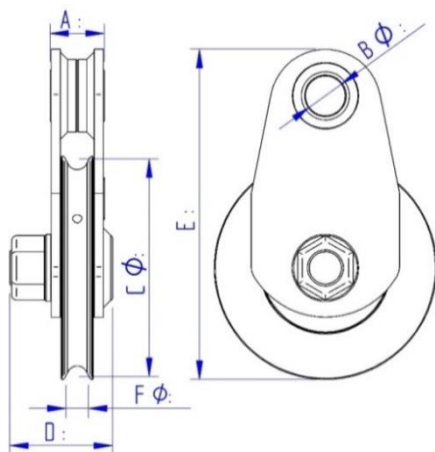


Specifikationer

Varenr.	NSN. Nr.	Maks Træk (PL)	Maks. løft (WLL)	Maks. Wire Ø (mm)	MBL T/kN	Vægt Blok	Vægt sjækel / Sjækel Type WLL	Vægt i alt
KAS116K	3940226326008	16T	8T	Ø16	32/318	7,1kg	2,25kg / 8,5T	9,6kg
KAS119DB*	3940226345253	20T	10T	Ø16	42/418	7,1kg	Ekskl. Sjækel	7,1kg
KAS119K		20T	10T	Ø16	42/418	7,1kg	2,78kg / 12,5T**	9,9kg
KAS120DB*	3940226275369	26T	12T	Ø18	68/677	10,5kg	Ekskl. Sjækel	10,5kg
KAS120K	3940226199940	26T	12T	Ø18	68/677	10,5kg	4,3T / 12T	14,8kg
KAS126K		26T	13T	Ø18	68/677	10,5kg	5,25kg / 18T**	15,7kg
KAS140K		40T	20T	Ø24	80/797	16,8kg	7,8kg / 17T	24,6kg
KAS162*	3940226280728	60T	30T	Ø26	120/1195	25kg	Ekskl. Sjækel	25,0kg
KAS162K	3940226223168	60T	30T	Ø26	120/1195	25kg	12,6kg / 25T	37,6kg

*Blok uden sjækel

**Supersjækel



Målskitse (mm)

Varenr.	A	B	C	D	E	F
KAS116K	41	Ø32,5	Ø179	86	273	16
KAS119DB	41	Ø32,5	Ø179	86	273	16
KAS119K	41	Ø32,5	Ø179	86	273	16
KAS120DB	48	Ø36	Ø205	95	320	18
KAS120K	48	Ø36	Ø205	95	320	18
KAS126K	48	Ø36	Ø205	95	320	18
KAS140K	58	Ø43	Ø234	111	355	24
KAS162	66	Ø53	Ø286	118	423	26
KAS162K	66	Ø53	Ø286	118	423	26

KAS162HA



Tilbehør

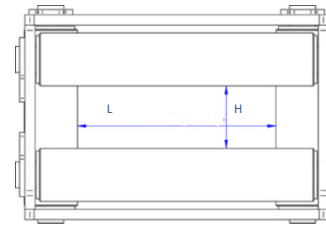
WRE100



Vare nr.	Varebeskrivelse	Vægt
KAS162HA	Rullebeslag for 60T Kasteblok	1,9 kg
WRE100	Nøgle 46 X 55 X 60 for Kasteblok	2 kg

Rullestyr, Wirepresser & Montageplader

Grp.- 057 Rullestyr



Vare nr.:	Rullestyr for:	Åbning mellem ruller: L x H	Rulle diam.:
RUL040	CODV2500i, CODV3500i, CODV4500i	L: 72mm X H: 12mm	Ø17mm
RUL060	CODV6L, CODV9, CODV9i	L: 180mm X H:20mm	Ø42mm
RUL062	CODV6S	L: 109mm X H:19,5mm	Ø32mm
RUL063	COHV8	L: 180mm X H:20mm	Ø42,5mm
RUL064	COHV10, COHV12, COHV15	L: 245mm X H:18mm	Ø38mm
RUL065	CODV12, CODV15	L: 180mm X H:20mm	Ø41,5mm
RUL065A	CORHINO8, CORHINO12	L: 210mm X H:20mm	Ø40,5mm
RUL066	COHV20	L: 363mm X H:18,5mm	Ø38mm
RUL067	COHV8, COBISON20 & 30 Kort Tromle	L: 180mm X H:20mm	Ø42mm
RUL069	COBISON30L	L: 330mm X H:20mm	Ø42mm
RUL071	COBISON50	L: 330mm X H:30mm	Ø49/42mm
RUL080	SE6256045, SE6256046	L: 195mm X H:60mm	Ø51mm

Grp.- 058 Wirepresser



Vare nr.:	Wirepresse for:	Rulle Længde:
WIR014	COHV8 CORHINO12	184mm
WIR015	COHV10, COHV12, COHV15	249mm
WIR016	CODV12, CODV15	204mm
WIR016A	CORHINO8,	204mm
WIR017	COHV20	355mm
WIR018	COWOLF85, COWOLF12	223mm
WIR020	KL SPIL, SWH100	228mm
WIR021	COBISON20	200mm

Grp.- 054 Montageplader



Vare nr.:	Montageplade for:	Mål: L x H	Rulle diam.:
CO881085	CORHINO8, CORHINO12, CODV12, CODV15	L: 70mm X H: 12mm	156x160x51
COWA0701	CODV6	L: 180mm X H:20mm	156x160x51
COWA0702	CODV9, CODV9i	L: 109mm X H:18mm	156x160x51
COWA0706	COHV8	L: 180mm X H:20mm	156x160x51

Radiostyring

Radio opfylder: Maskindirektivet (CE)

Modtager



Mini Sender



Standard Sender



Industrisender



Beskrivelse

Elegant kvalitets radiofjernstyring med nødstop og reset indbygget i sender. Særdeles velegnet til fjernstyring af bevægelser på køretøjer med både elektronisk, pneumatisk eller hydraulisk styring. Kan sende i op til 6 mdr. på et batteri. Modtager leveres med IP67 godkendt vandtæt plastkabinat med intern antenne – herved ingen problemer med placering af antenne. 5040 forskellige sikkerhedskoder. Sender og modtager kodet sammen, således at udefrakommende signaler ikke forstyrrer fjernstyringen. Mulighed for at kode hver enkelt kanal til momentan eller simultan drift.

Teknisk data - sender

Frekvens	33,92 Mhz
Rækkevidde	60 m
Rækkevidde narrowband	300 m
Strømforsyning	9V DC

Teknisk data - modtager

Maks. strøm over relæ DC	15 A
Maks. strøm over relæ A	10 A

Specifikationer

Vare Nr.:	Volt	Varebeskrivelse	Mål i mm H x L x D	Vare nr. sender:
RAD102R	9-32V DC	Radiostyring 2 kanal m. nødstop og reset. Ingen master	156x160x51	RAD802R
RAD102RNP	9-32V DC	Radiostyring 2 kanal m. nødstop narrowband, reset og master	156x160x51	RAD802R
RAD102RP	9-32V DC	Radiostyring 2 kanal m. nødstop, reset og master.	156x160x51	RAD802R
RAD104RP	9-32V DC	Radiostyring 4 kanal m. nødstop, reset og master.	156x160x51	RAD804R
RAD106RP	9-32V DC	Radiostyring 6 kanal m. nødstop, reset og master. Standard sender.	156x160x51	RAD806RS
RAD110RNP	9-32V DC	Radiostyring 10 kanal m. nødstop, narrowband, reset og master.	156x160x51	RAD810R*
RAD110RP	9-32V DC	Radiostyring 10 kanal m. nødstop, reset og master.	156x160x51	RAD810R*
RAD116RNP	9-32V DC	Radiostyring 16 kanal m. nødstop, narrowband, reset og master.	156x160x51	RAD816RN**
RAD116RP	9-32V DC	Radiostyring 16 kanal m. nødstop, reset og master.	156x160x51	RA816R*
RAD102iRNPAC	90-264V AC	Radiostyring 2 kanal, IP67 m. nødstop, reset og master narrowband	156x160x51	RAD802R*
RAD104iRPAC	90-264V AC	Radiostyring 4 kanal, IP67 m. nødstop, reset og master	156x160x51	RAD804R
RAD106iRPAC	90-264V AC	Radiostyring 6 kanal, IP67 m. nødstop, reset og master	156x160x51	RAD806RS
RAD110iRPAC	90-264V AC	Radiostyring 10 kanal, IP67 m. nødstop, reset og master	156x160x51	RAD810R*
RAD116iRPAC	90-264V AC	Radiostyring 16 kanal, IP67 m. nødstop, reset og master	156x160x51	RA816R*

*Industrisender overholder IP67

**industrisender overholder IP67(narrowband)

Tilbehør:	Vare Nr.:	Optioner:	Vare Nr.:
Holderkonsol for radiosender 2 – 16 kanal m. Indbygget sirene	KON053	2 kanals Mini fjernstyring	RAD802RM
Antennekit med 2m kabel	ANT145	6 kanals IP67 fjernstyring	RAD806R
Antennekit med 3m kabel	ANT146	10 kanals IP67 fjernstyring Narrowband	RAD810RN



Industrivej 17B • 4683 Roennede • Denmark
Tlf.: +45 56 31 58 10 • mail@safe-tec.dk

Webseite / Shop: www.safe-tec.dk



You
Tube

in

f

