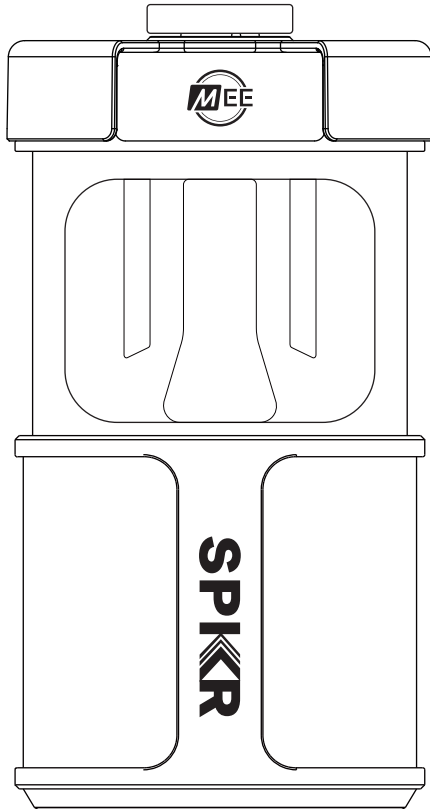




light **SPKR**

WIRELESS CAMPING SPEAKER WITH LANTERN



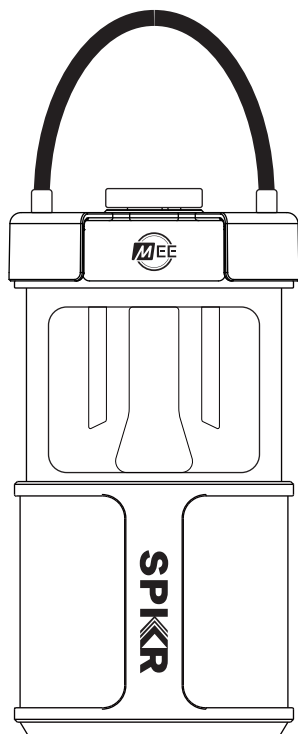
lightSPKR Setup Guide

Scan the QR code or visit:

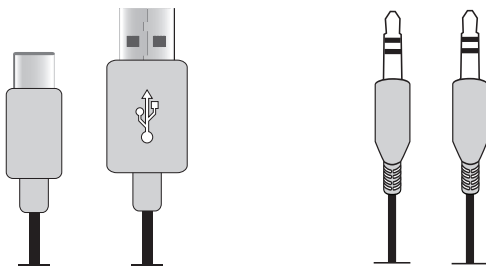
MEEaudio.com/lightSPKRsupport

QUICK START GUIDE

what's in the box



lightSPKR



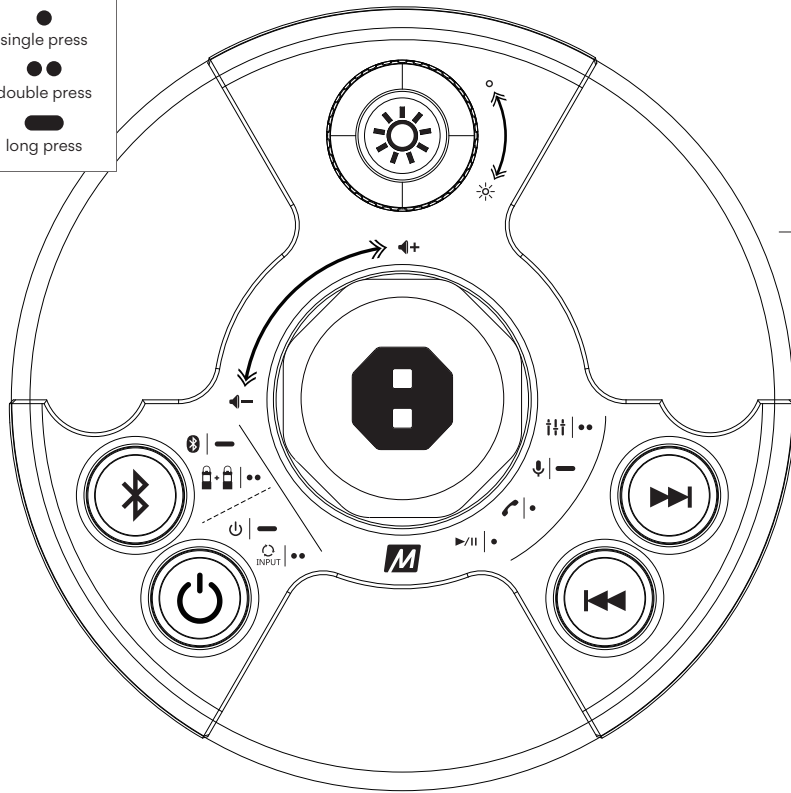
Charging Cable

3.5mm Audio Cable

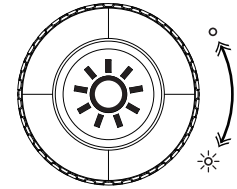
light SPKR interface

LEGEND

- single press
- double press
- ▬ long press



Lantern control
Light on / off: turn knob



Next track button
Next track: single press

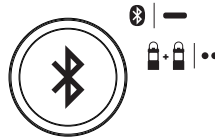


Previous track button
Previous track: single press



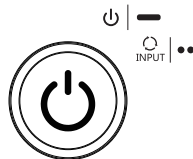
Bluetooth button

Bluetooth pairing: long press
Enable/disable stereo mode: double press
Factory reset: press and hold 8s



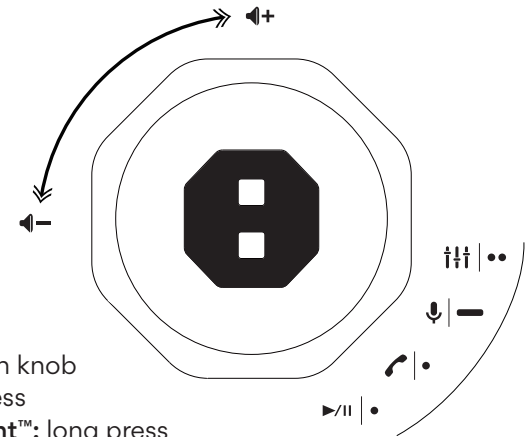
Power button

Power on/off: long press
Change audio source*: double press
*available only if multiple sources are connected

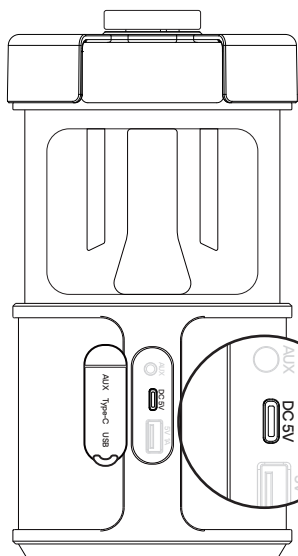


Audio control

Volume up/down: turn knob
Play/pause: single press
Siri® / Google Assistant™: long press
Answer/hang up phone call: single press
Refuse incoming call: long press
Change MEE audio mode: double press

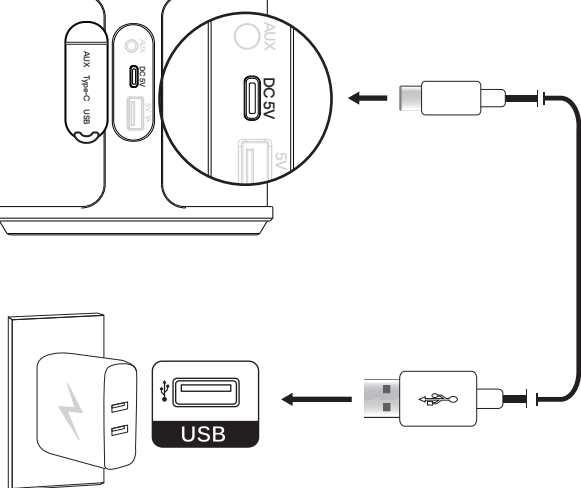


charging ⚡

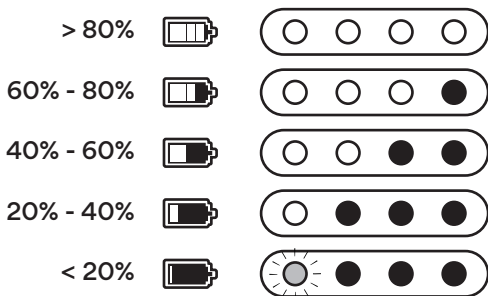


Step 1:
Plug charging cable into lightSPKR

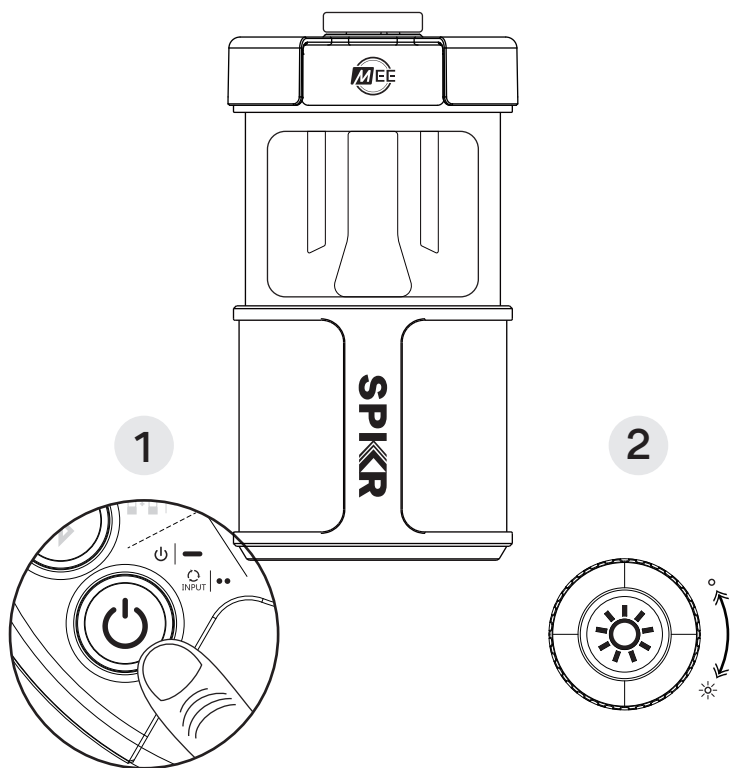
Step 2:
Plug charging cable into a powered
USB port.



Battery Level Indicator



lantern operation



Step 1:

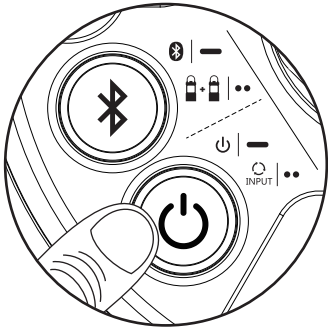
Power on the lightSPKR

Step 2:

Use the knob to turn on the lantern and adjust its color/brightness

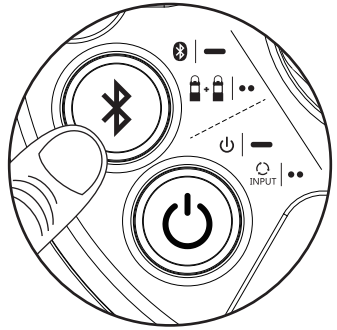
Note: lightSPKR will automatically power off after 15 minutes of inactivity unless the lantern is on or audio is playing

Bluetooth pairing



Step 1

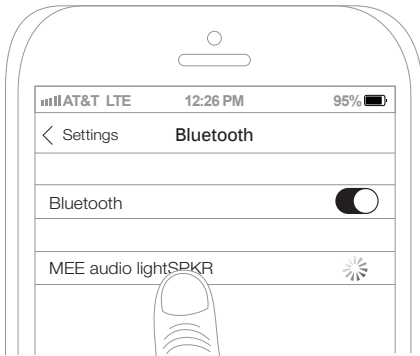
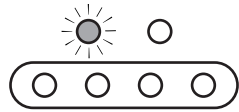
Power on:
Long press power button



Step 2

Bluetooth pairing:
Long press Bluetooth button

blinking blue light = pairing mode



Step 3:

Select MEE audio lightSPKR on device

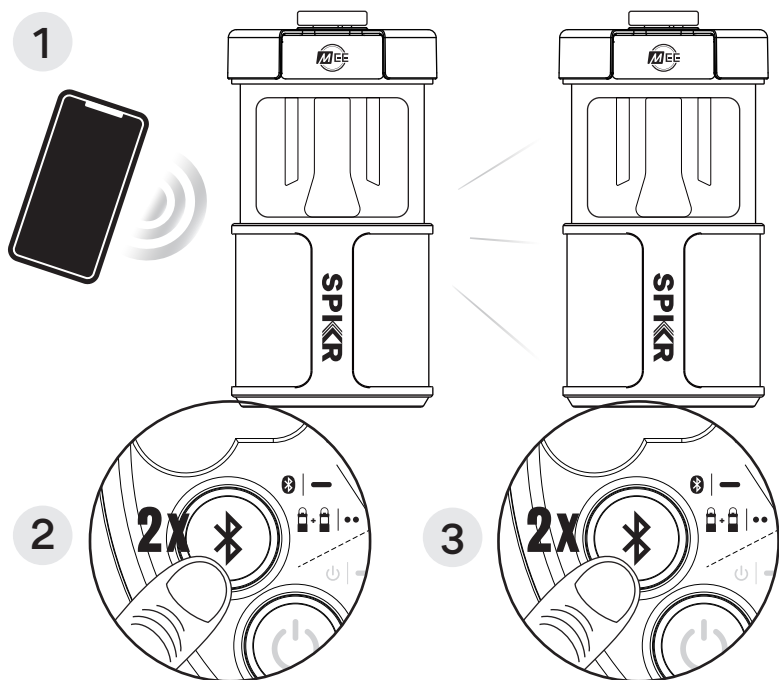
Note: To pair a different device, remove or disconnect the lightSPKR from the original device or long press Bluetooth button.

stereo mode



Stereo mode

Connect two lightSPKRrs together in stereo for louder, more natural sound



Step 1:

Connect the first lightSPKR to your device. This will become your **left** speaker

Step 2:

Double press the Bluetooth button on **left** speaker

Step 3:

Double press the Bluetooth button on **right** speaker

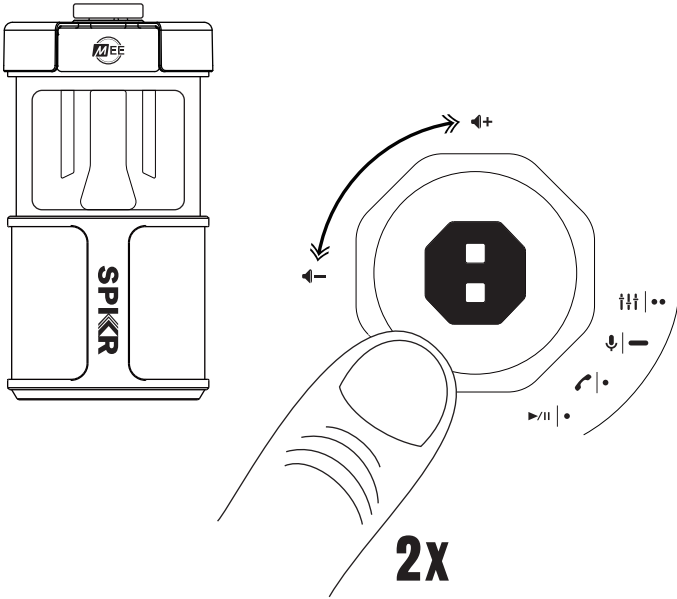
Note: Double press the Bluetooth button on **left** speaker again to exit stereo mode

MEE audio modes



Change audio modes

Double press the audio control to cycle through different sound modes



Audio Modes



DYNAMIC:

Default audio mode with enhanced bass and treble response for engaging, yet clear sound



BASS BOOST:

Enhances bass response and depth to create more impact and immersion



VOCAL BOOST:

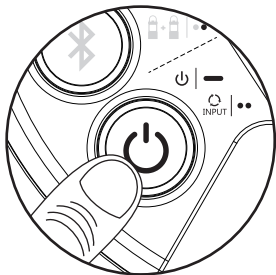
Boosts speech and vocals for more clarity and intelligibility



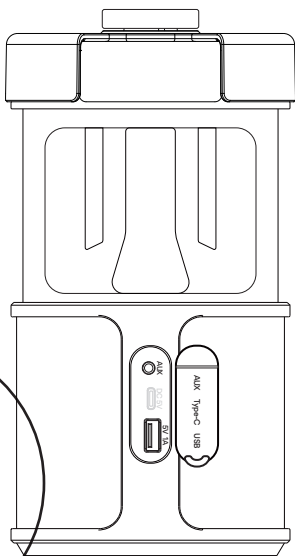
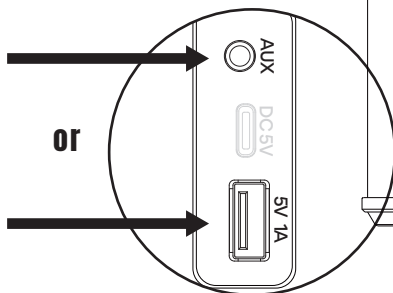
Switch audio inputs

Switch between Bluetooth, USB, and AUX input

1



2



Step 1:

Power on the lightSPKR

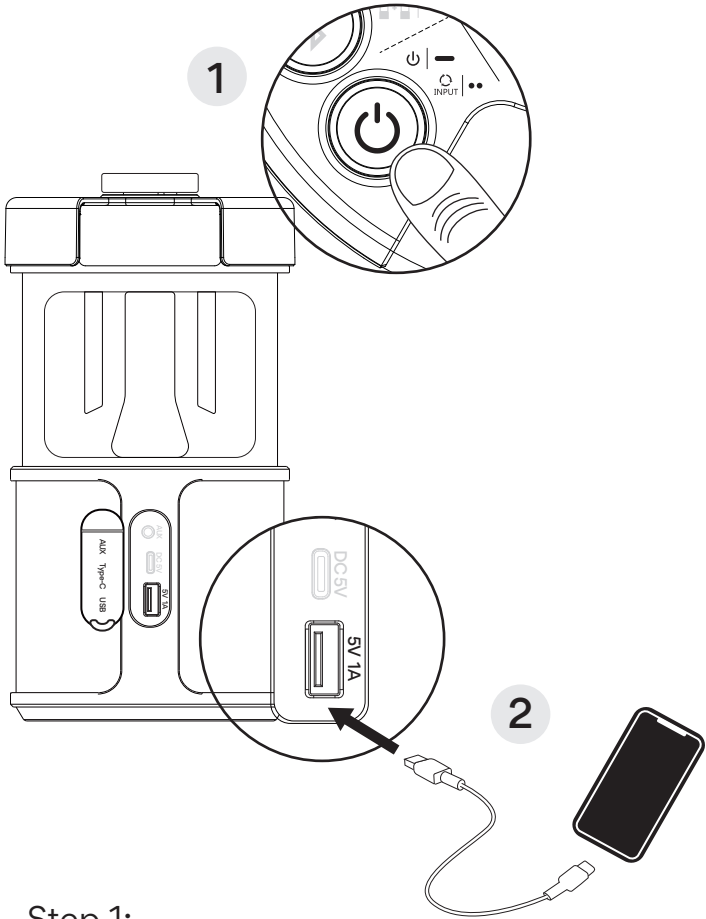
Step 2:

Plug a 3.5mm audio cable into the AUX input or a USB stick with music into the USB port.

Audio source will automatically switch to the connected device.

Note: When 2 or more sources are connected, double press power button to cycle available sources





Step 1:
Power on the lightSPKR

Step 2:
Plug your device into the port labeled "USB" to charge

Note: Device will charge only while lightSPKR is powered on

questions? we're here to help!

Phone Support: 626-965-1008
Monday ~ Friday 9 am to 5 pm PST

Email Support: support@MEEaudio.com
All emails are responded to within 2 business days

for additional support view our video setup guide

Scan the QR code or enter the URL
below into your web browser:

MEEaudio.com/lightSPKRsupport



WARRANTY

This product is covered by a 1-year manufacturer warranty.
For more information, visit MEEaudio.com/support.

MEE audio and its logo are registered trademarks of S2E, Inc. All rights reserved.

The Bluetooth® word mark and logos are registered trademarks owned by Bluetooth SIG, Inc. and any use of such marks by MEE audio is under license. Other trademarks and trade names are those of their respective owners.

Siri® is a registered trademark of Apple Inc.
Google Assistant is a trademark of Google Inc.