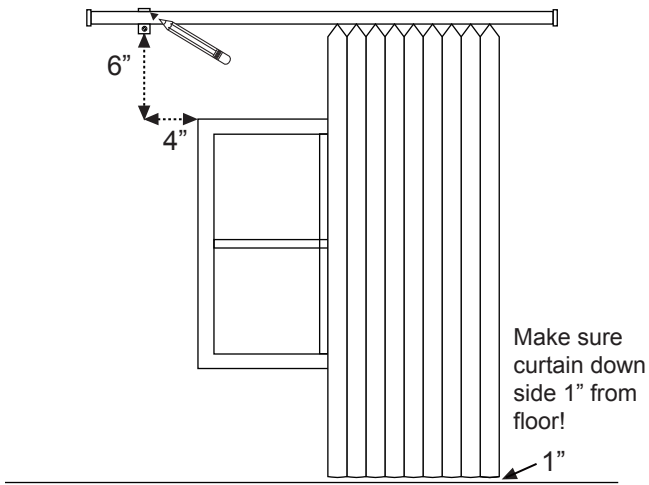


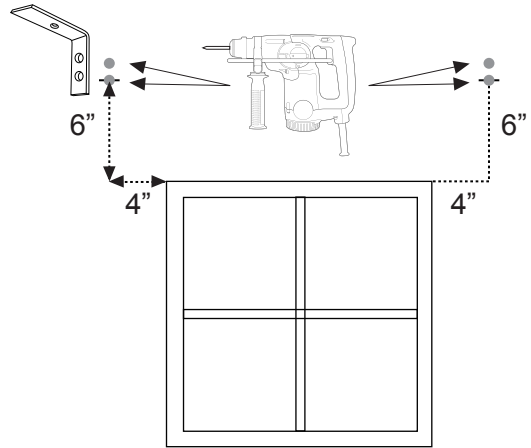
How to installing rail track on the wall ?

Step 1

Place bracket around 6" height and 4" side from window frame. Use curtain to adjust height of the bracket !

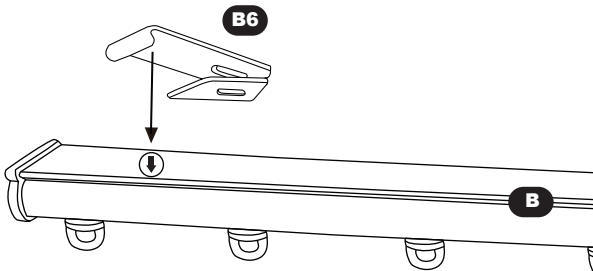


Step 2



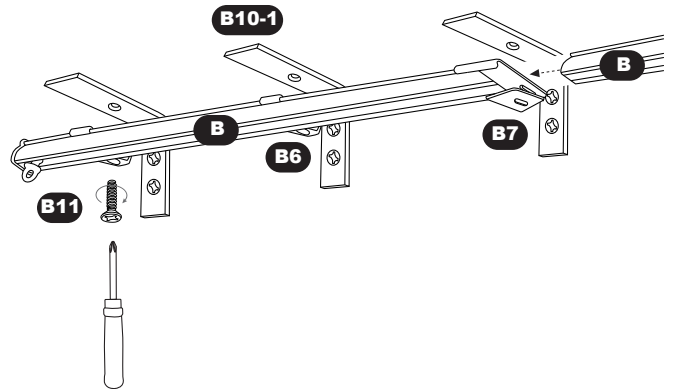
Step 3

Insert rail in the bracket !
Make sure place bracket on the track top arrow mark!



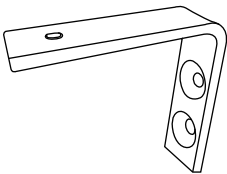
Step 4

To connect with other track please use bracket (B7) !



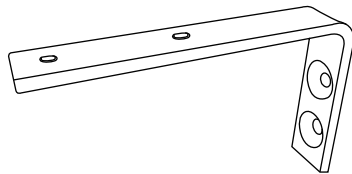
Bracket for drape

B10-1



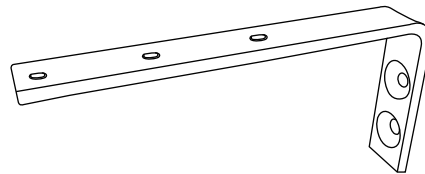
Bracket for drape & sheer

B10-2

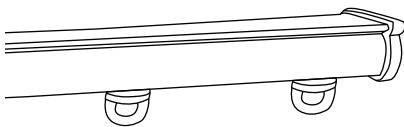
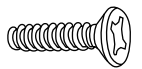


Bracket for drape & sheer ,valance

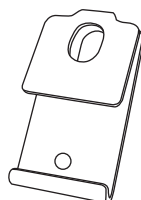
B10-3



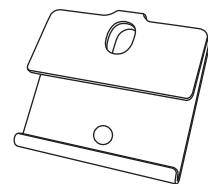
B11



B



B6



B7