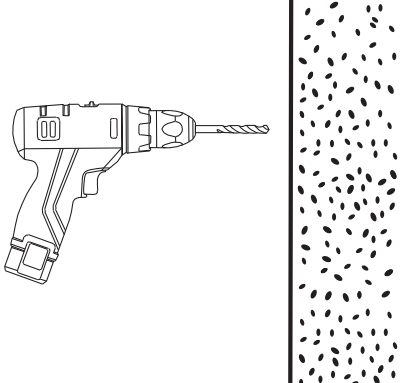
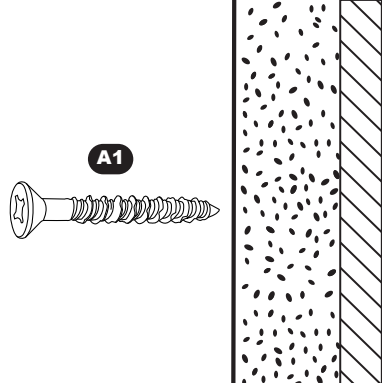
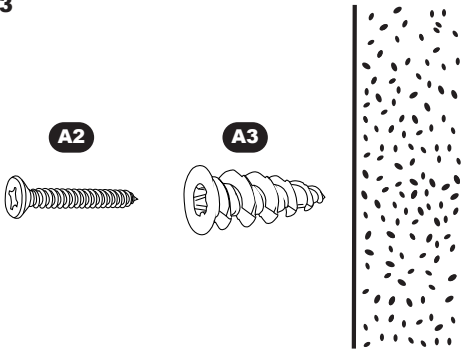
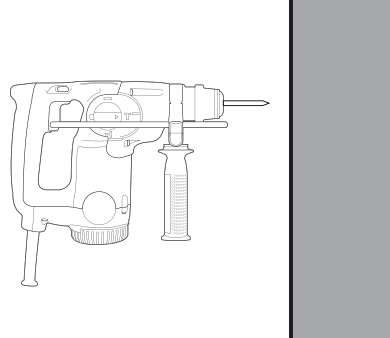
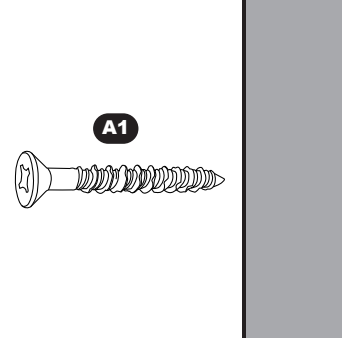


What kind of wall or ceiling you will installing !



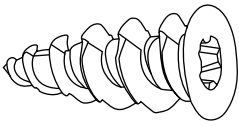
Gypsum board !

<p>Step 1</p>  <p>Always detects by drill bit! Use bit less(3/16") thinner than screw !</p>	<p>Step 2</p>  <p>Use concrete screw to place bracket !</p>
<p>Step 3</p>  <p>If the concrete screw loose please use drywall anchors and screw !</p>	

Concrete wall!

<p>Step 1</p>  <p>Always drill a hole by bit first . Use bit less (3/16") thinner than screw to drill a hole.</p>	<p>Step 2</p>  <p>Use concrete screw directly .</p>
---	--

The parts !

<p>A1</p>  <p>$1\frac{3}{4}$" x $\frac{5}{32}$"</p>	<p>A2</p> 	<p>A3</p> 
---	--	--