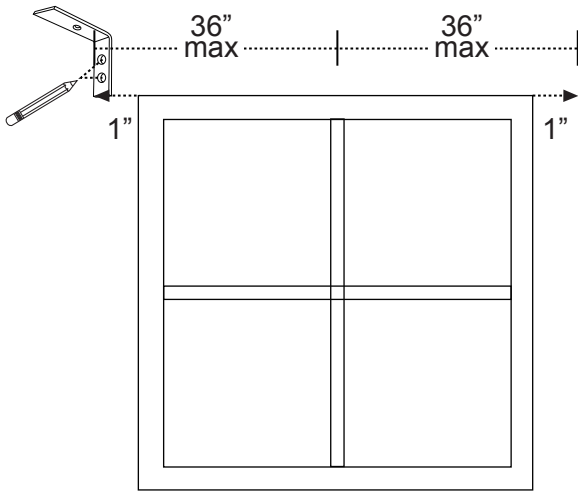


Valance installing on the wall !

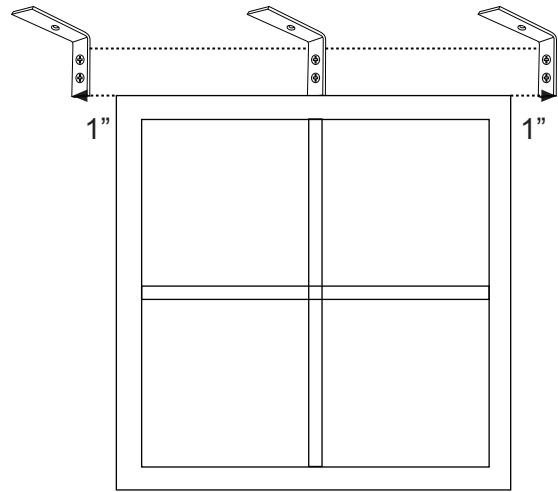
Step 1

Mark holes for brackets !



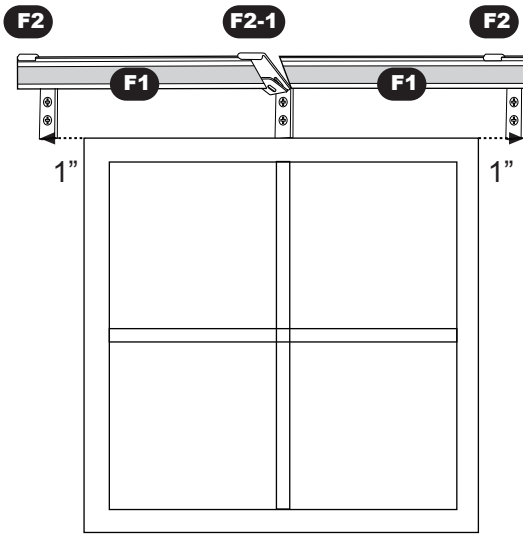
Step 2

Install brackets !



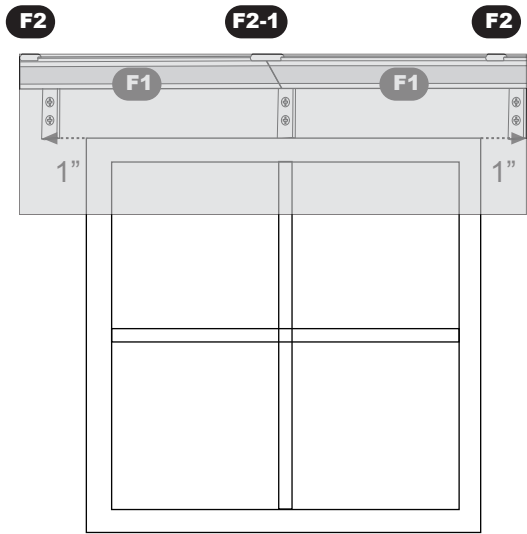
Step 3

Tighten the bracket !
Connect other rail use bracket **F2-1** !

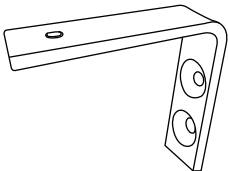


Step 4

Stick valance edge on rail !

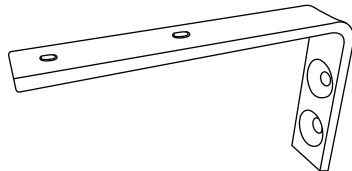


B10-1



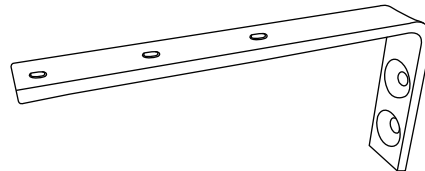
Alone over a window

B10-2



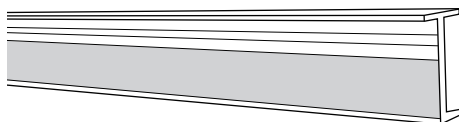
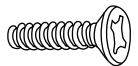
Over panels

B10-3

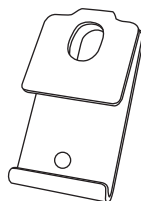


Over panels and sheer

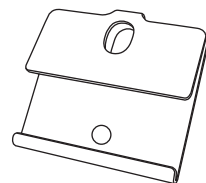
B11



F1



F2



F2-1