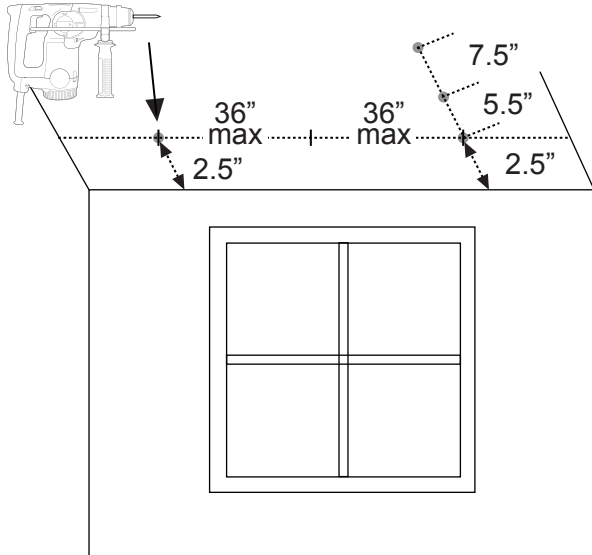


Valance installing on the ceiling !

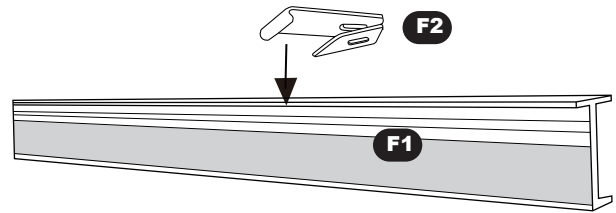
Step 1

- 2.5" alone over window
- 5.5" over panels
- 7.5" over panels and sheer

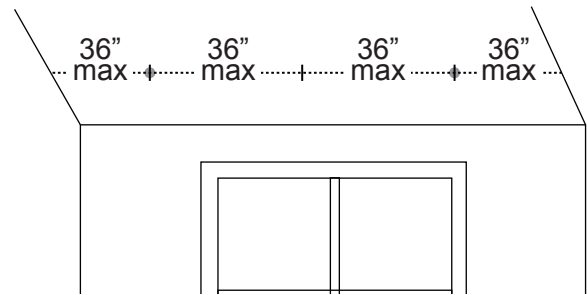


Step 2

Insert rail in bracket !

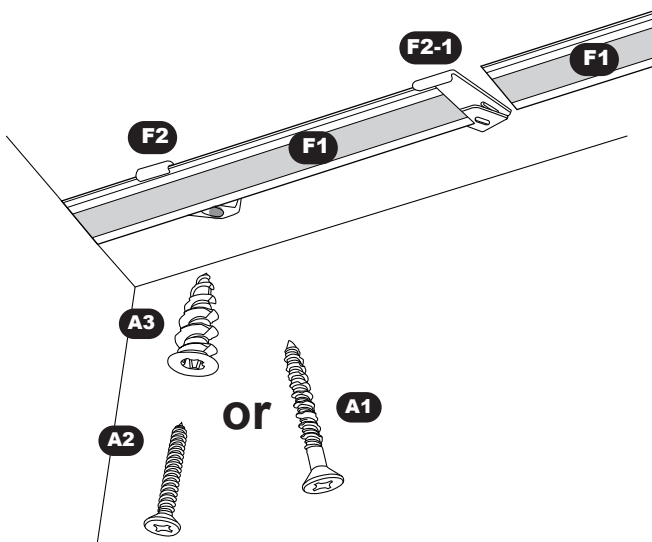


Make sure every bracket no more than 36"



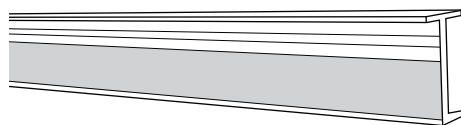
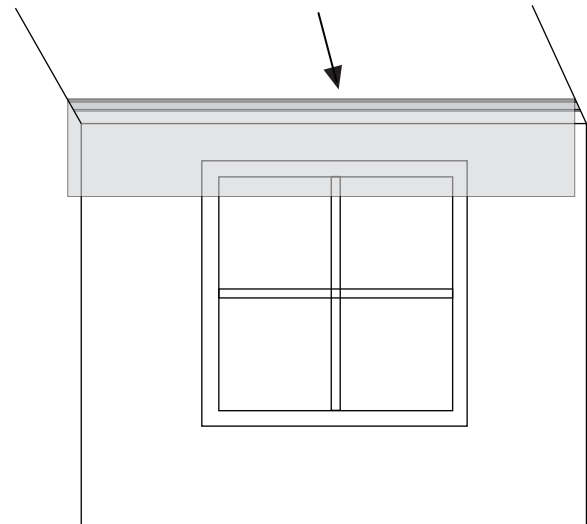
Step 3

Tighten the bracket !

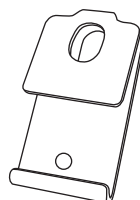


Step 4

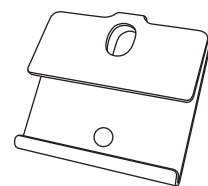
Stick valance edge on rail !



F1



F2



F2-1