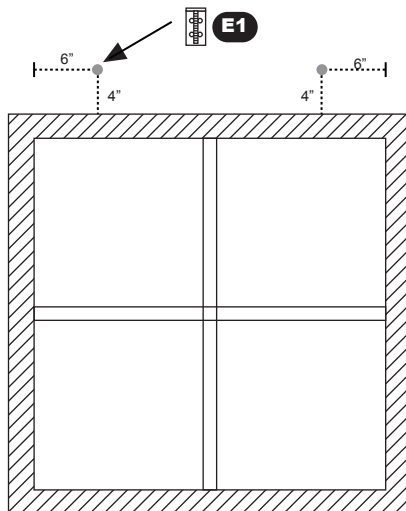


Roman shade installing Instructions - outside Mount

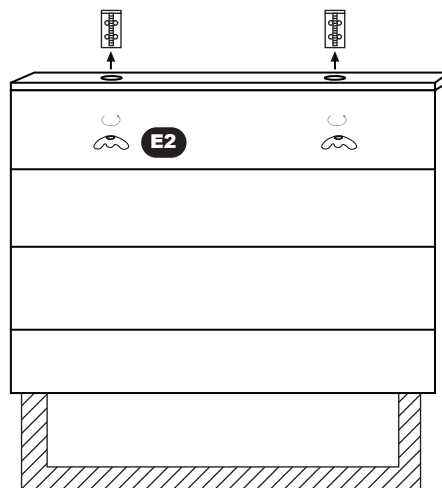
Step 1

Place brackets 4" from top frame and 6" both side in the frame ! Use roman shade to adjust right place for roman shade !

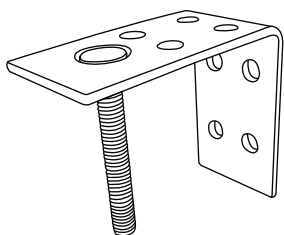


Step 2

Insert roman shade holes in the L-brackets ,then tighten the brackets!



E1



E2

