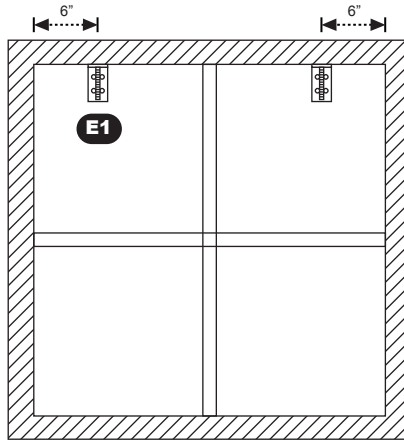


Roman shade installing Instructions - Inside Mount

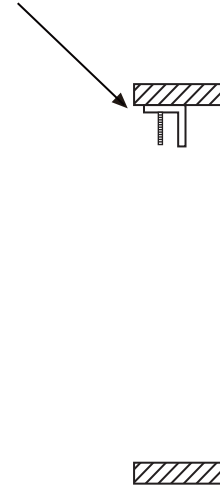
Step 1

Place the bracket on the down side frame !



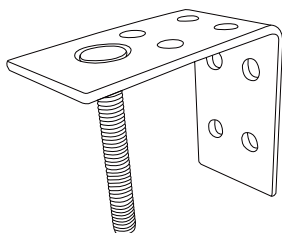
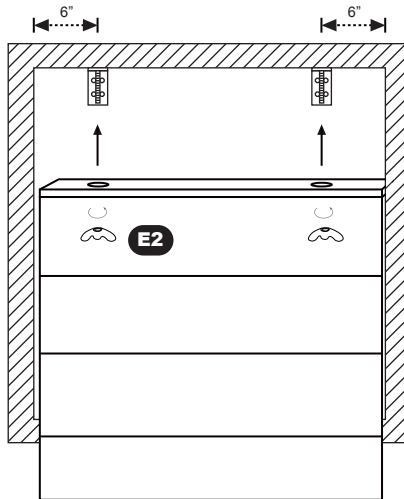
Step 2

Bracket front not exceed frame front !



Step 3

Insert roman shade top holes in the L-bracket then tighten the brackets



E1



E2