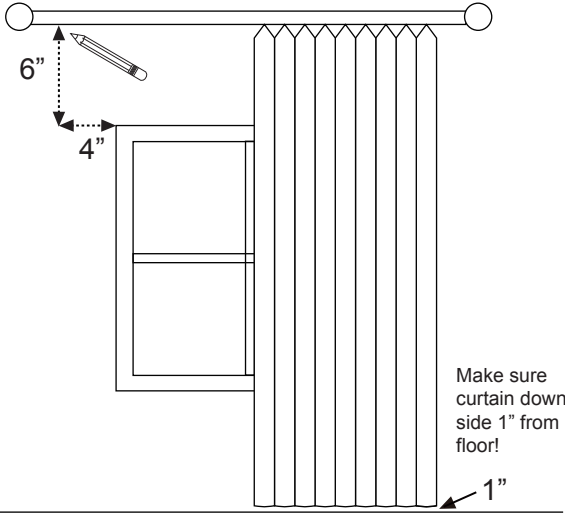


How to install rod?

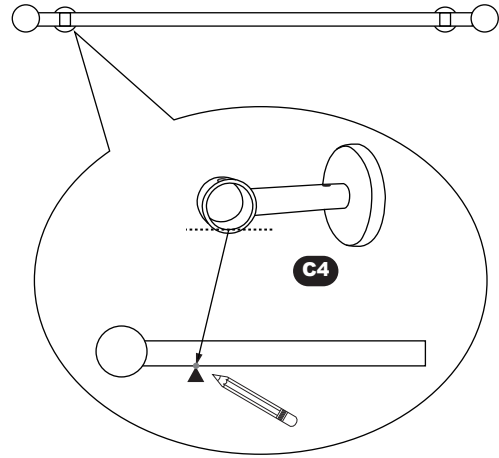
Step 1

Position pole with curtain adjust pole exact height !
Mark down side of the pole!



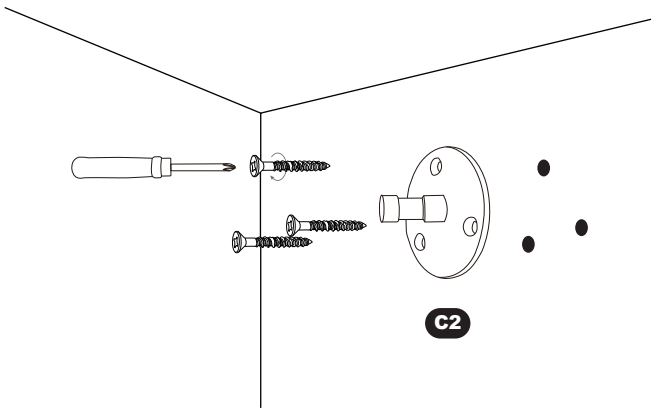
Step 2

Make sure bracket curve height even with down side of the pole !

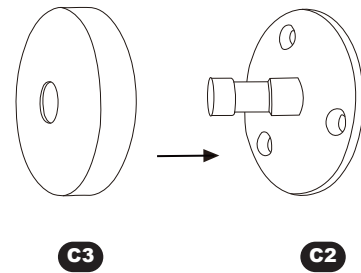


Step 3

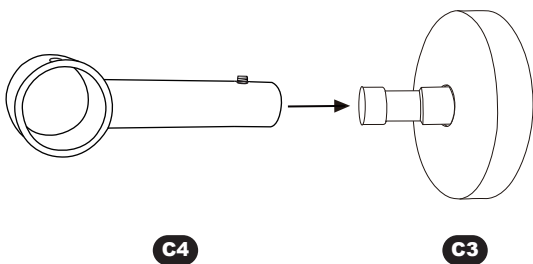
Install the base of the bracket !



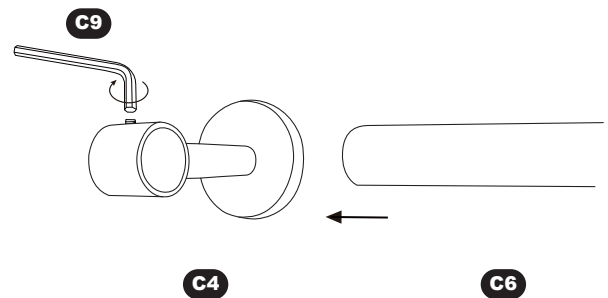
Step 4



Step 5

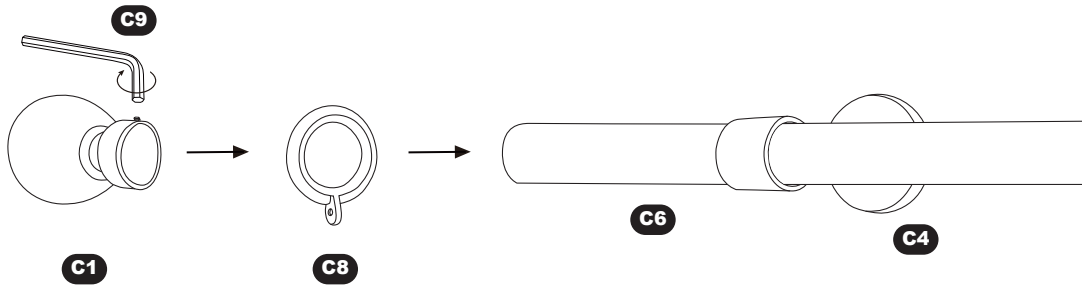


Step 6



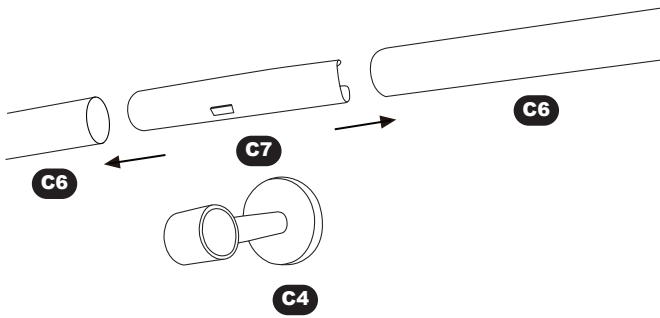
How to install rod?

Step 7

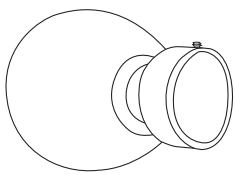
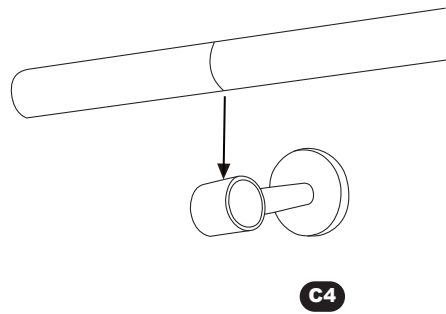


Step 8

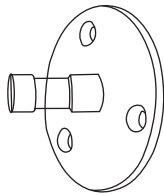
Use connector if there is middle bracket !



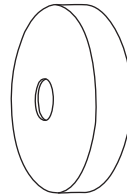
Step 9



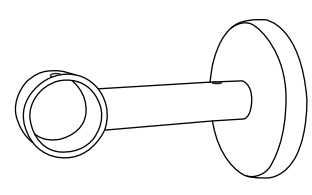
C1



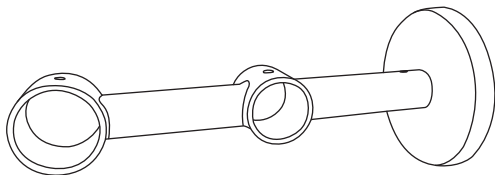
C2



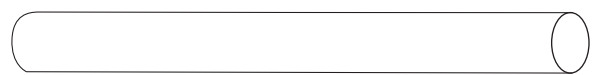
C3



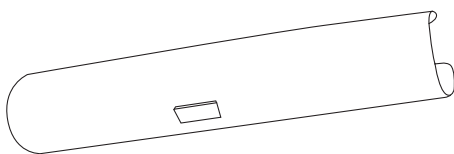
C4



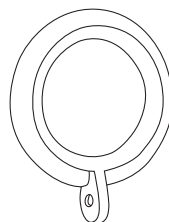
C5



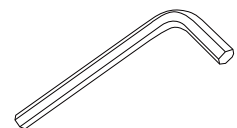
C6



C7



C8



C9