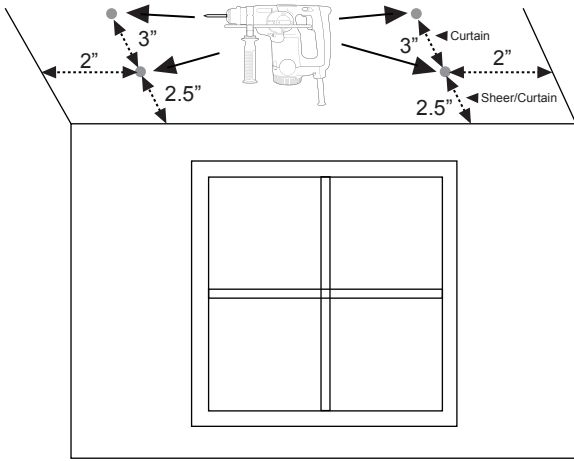


# How to install rail track on the ceiling?

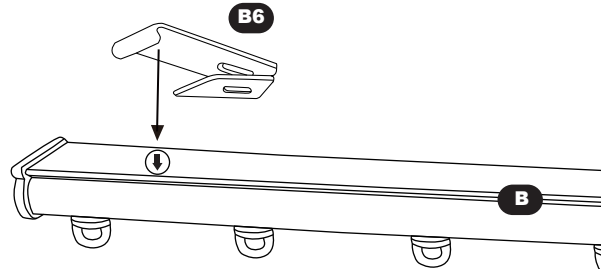
## Step 1

Drill hole for bracket 2.5" from front wall .If there is other layer of rail keeps 3" away from first rail!



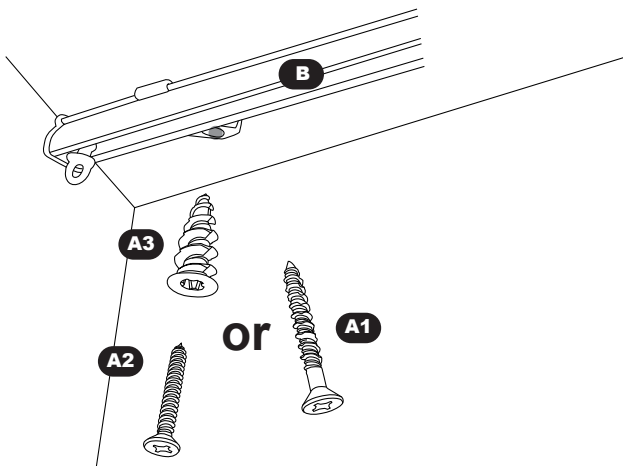
## Step 2

Insert rail in the bracket !  
Make sure place bracket on the track top arrow mark!



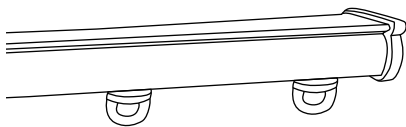
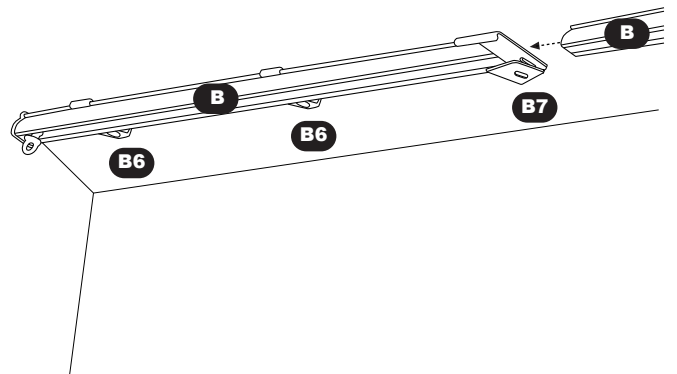
## Step 3

Tighten the bracket !

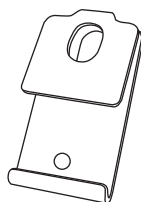


## Step 4

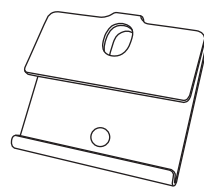
To connect with other track use bracket ( B7 ) !



**B**



**B6**



**B7**