



Zenit bed



Zenit bed with storage unit



pack with edging for fabric and artificial leather



pack with blanket stitch for fabric



pack with dual-needle flat stitching for leather

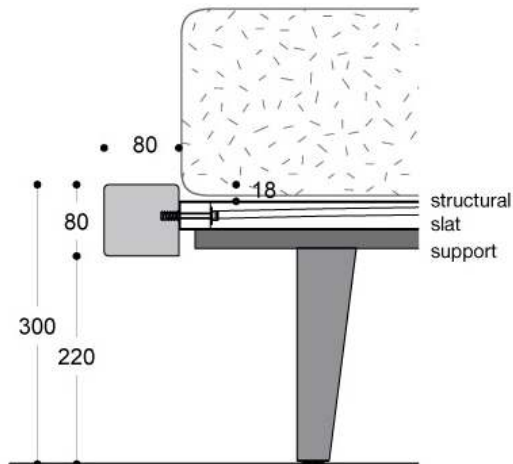
FEATURES

Shaped bed ring padded with polyurethane foam finished with a removable cover in fabric, artificial leather or leather. Pack with edging in point fabric or artificial leather, with blanket stitch edging for the fabric or with dual needle flat stitching for the leather.

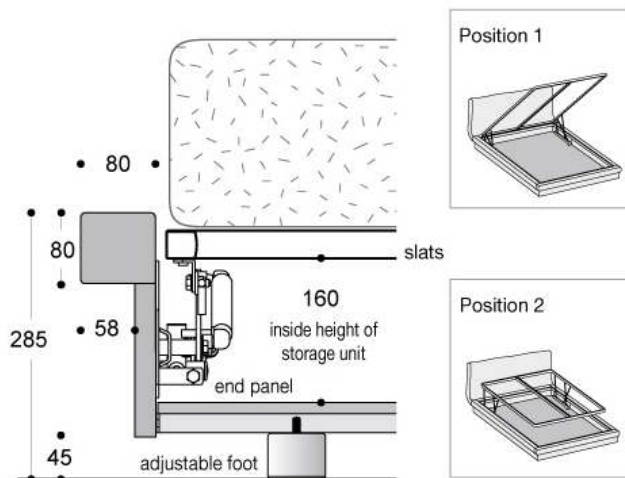
Bed ring padded with polyurethane foam finished with a removable cover in fabric, artificial leather or leather with the same packing as the headboard. Inclined support feet with matt lacquer finish. Also available with the storage unit recessed with respect to the bed perimeter (support feet in black ABS).

The price of the bed includes the base both in the standard version and in the version with storage unit (piston-assisted raising mechanism for bed base page 52).

BED RING CROSS-SECTION



ZENIT WITH STORAGE UNIT



Seams for bed in leather

