



plié

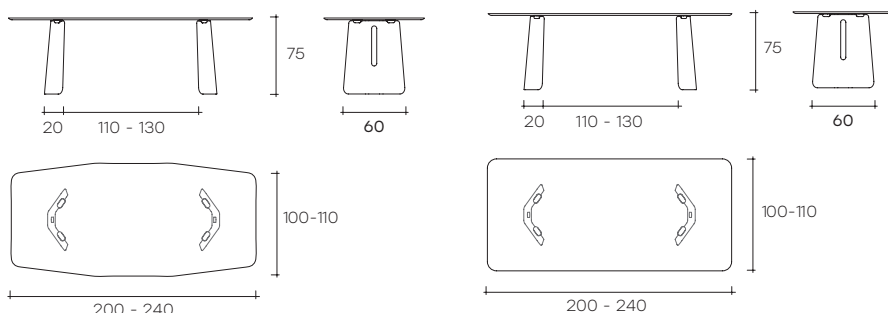
DESIGN
STUDIO KLASS

modello registrato
registered model

Tavolo composto da due basi in vetro extralight sagomato e curvato da 12 mm, piano in vetro da 15 mm extralight temperato.

Table consisting of two 12 mm shaped and curved extralight glass bases, top available in 15 mm tempered extralight glass.

portata sul piano: 150 kg
load capacity on top: 150 kg



dimensioni L, P, H
dimensions L, W, H
(cm)

COD./CODE

L

P/W

H

peso netto
net weight
(kg)

peso lordo
gross weight
(kg)

volume imballo
package volume
(m³)

Basi in vetro extralight, piano in vetro extralight da 15 mm sagomato.
Bases in extralight glass, top in 15 mm shaped extralight glass.

PT/2010XS

200

100

75

98

135

0,61

PT/2410XS

240

110

75

120

159

0,7

Basi in vetro extralight, piano in vetro extralight da 15 mm rettangolare.
Bases in extralight glass, top in 15 mm rectangular extralight glass.

PT/2010XR

200

100

75

101

138

0,61

PT/2410XR

240

110

75

125

164

0,7

**FINITURA GAMBE
LEGS FINISH**

**SPESSORE
THICKNESS**

Vetro fumé
Smoked glass

12 mm

**Dimensioni su richiesta solo per Plié con top in vetro.
Custom dimensions only for Plié table with glass top.**

**FINITURA TOP
TOP FINISH**

**SPESSORE
THICKNESS**

Vetro extralight retrolaccato RAL*
Extralight RAL back-lacquered glass*

15 mm

Vetro extralight acidato
Extralight acid-etched glass

15 mm

Vetro extralight acidato retrolaccato RAL*
Extralight RAL acid-etched back-lacquered glass*

15 mm

Vetro fumé
Smoked glass

8+8 mm

Vetro bronzo
Bronze glass

8+8 mm

***Parti metalliche a vista.
*Metal details in view.**