

magma

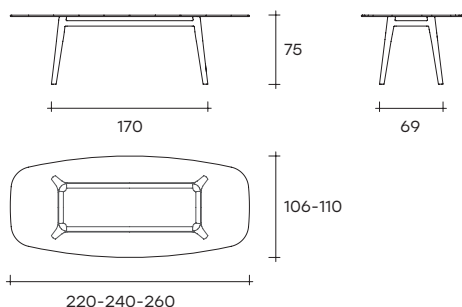
DESIGN
PATRICK JOUIN

modello registrato
registered model

portata sul piano: 150 kg
load capacity on top: 150 kg

Tavolo con piano in vetro da 15 mm fuso a gran fuoco e temperato, disponibile nelle tinte trasparenti Fumo, Blu o Ambra. Struttura in legno rovere massello disponibile nelle finiture naturale o tinto grigio.

Table with 15 mm fused and tempered glass top, available in Smoke grey, Blue or Amber finish. Oak solid wood structure available in natural or grey finish.



dimensioni L, P, H
dimensions L, W, H
(cm)

	COD./CODE	L	P/W	H	peso netto net weight (kg)	peso lordo gross weight (kg)	volume imballo package volume (m ³)
Piano in vetro tinto fumé. Base in rovere naturale. <i>Smoke grey finish glass top. Natural finish oak base.</i>	MG/2210RNF	220	106	75	96	150	1,45
	MG/2410RNF	240	106	75	112	160	1,49
	MG/2611RNF	260	110	75	122	170	1,55
Piano in vetro tinto fumé. Base in rovere tinto grigio. <i>Smoke grey finish glass top. Grey finish oak base.</i>	MG/2210RGF	220	106	75	96	150	1,45
	MG/2410RGF	240	106	75	112	160	1,49
	MG/2611RGF	260	110	75	122	170	1,55
Piano in vetro tinto ambra. Base in rovere naturale. <i>Amber finish glass top. Natural finish oak base.</i>	MG/2210RNA	220	106	75	96	150	1,45
	MG/2410RNA	240	106	75	112	160	1,49
	MG/2611RNA	260	110	75	122	170	1,55
Piano in vetro tinto ambra. Base in rovere tinto grigio. <i>Amber finish glass top. Grey finish oak base.</i>	MG/2210RGA	220	106	75	96	150	1,45
	MG/2611RGA	240	106	75	112	160	1,49
	MG/2611RGA	260	110	75	122	170	1,55
Piano in vetro tinto blu. Base in rovere naturale. <i>Blue finish glass top. Natural finish oak base.</i>	MG/2210RNB	220	106	75	96	150	1,45
	MG/2410RNB	240	106	75	112	160	1,49
	MG/2611RNB	260	110	75	122	170	1,55
Piano in vetro tinto blu. Base in rovere tinto grigio. <i>Blue finish glass top. Grey finish oak base.</i>	MG/2210RGB	220	106	75	96	150	1,45
	MG/2410RGB	240	106	75	112	160	1,49
	MG/2611RGB	260	110	75	122	170	1,55