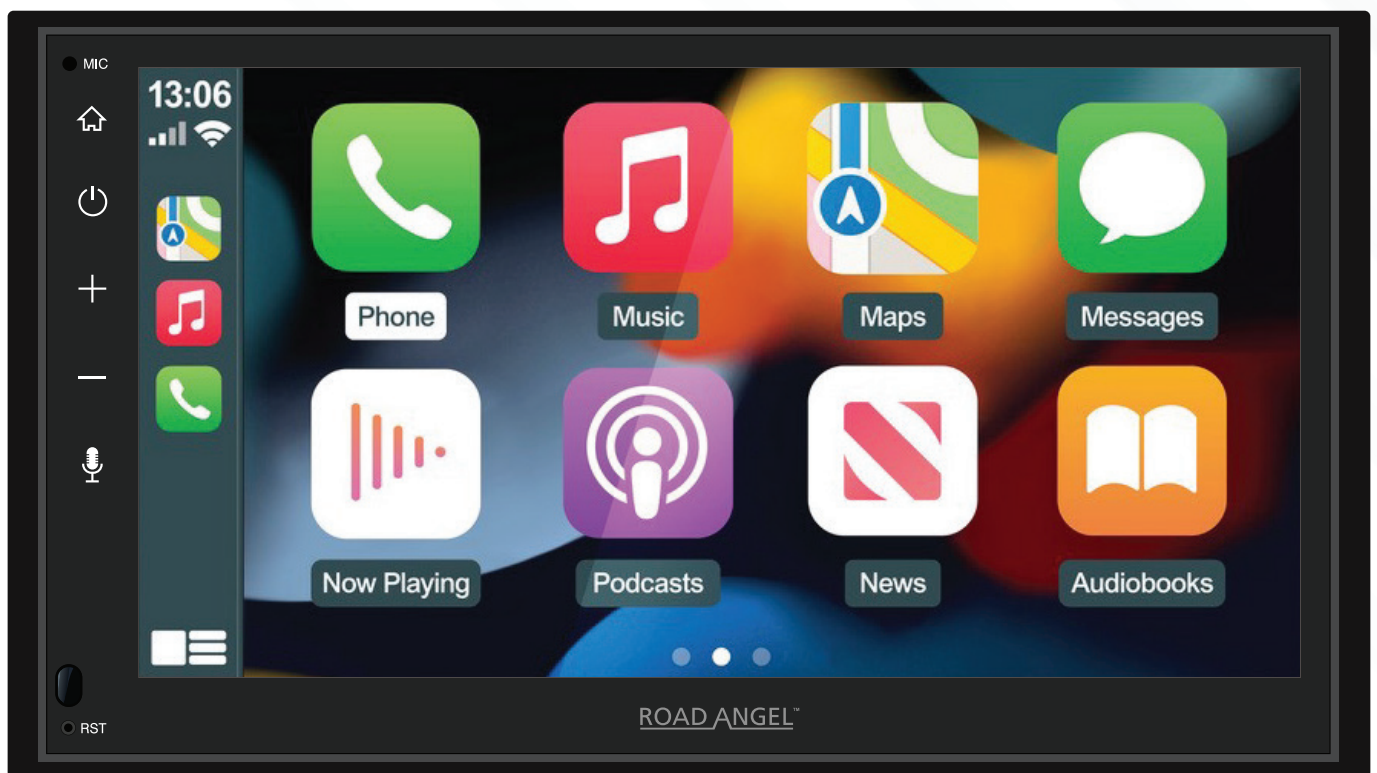


ROAD ANGEL™

RA-X621BT/RA-X721DAB Car Stereo



Steering Wheel Control Guide
and other helpful hints

Lead to use is, CTMULILEAD.5 OR CTMULTILEAD.2

How to setup steering wheel controls ¹

Do you have everything?

To utilise your factory steering wheel controls, you will need additional parts along with this radio. If you have your fitting already then go to the next step. If you do not have any fitting parts, then please visit Connects2's website (www.connects2.com) and find the parts you require using their vehicle lookup.

Go to the Settings (⚙️) on your RA car stereo.



Scroll down to see the "**SWC Resistance**" option and set it to **HIGH**.

This setting ensures better compatibility with your steering wheel controls.



DISCLAIMER: This guide was published with the intention of guiding users on how to use certain features of the Road Angel Stereos. Please note some features are subject to change & as ongoing improvements are made to the stereos functions & appearance.

How to setup steering wheel controls ²

Now scroll up to see the "**SWC**" option. Press the SWC (Steering Wheel Control) button that allows you to access the SWC settings.



Press the "**Reset**" button on the SWC settings to clear any previous learnings.



Now, you can begin the learning process for your specific steering wheel buttons. Press each button on SWC settings one by one, making sure to press the corresponding button on your Steering wheel for each one.



Note: Not every button on your steering wheel might be compatible or supported, depending on your car's model and the device/system you are using.

DISCLAIMER: This guide was published with the intention of guiding users on how to use certain features of the Road Angel Stereos. Please note some features are subject to change & as ongoing improvements are made to the stereos functions & appearance.

How to setup steering wheel controls ³

Once you have finished assigning all the SWC buttons, you should save the learning. Press the **"SAVE"** button on the SWC settings to save. After pressing **"SAVE"**, a message will appear confirming that the learning has been saved successfully.



Congratulations!

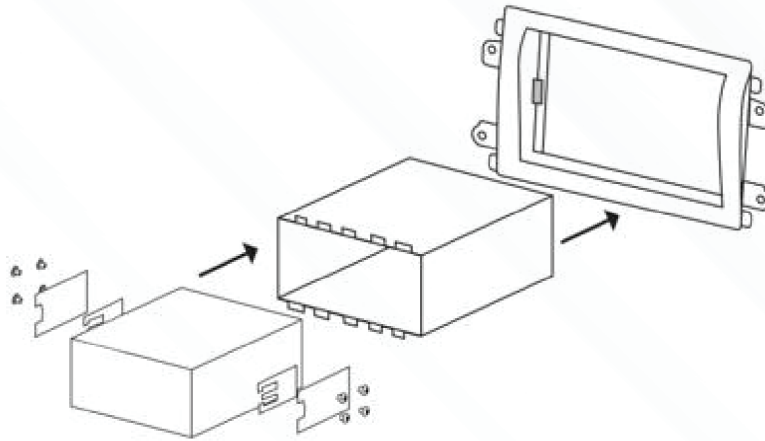
You have completed the setup for your steering wheel controls. Now, you can enjoy convenient and safe control of your device/system using your steering wheel buttons.



Scan the QR code
to see the video demo

Stereo Cage Fitting

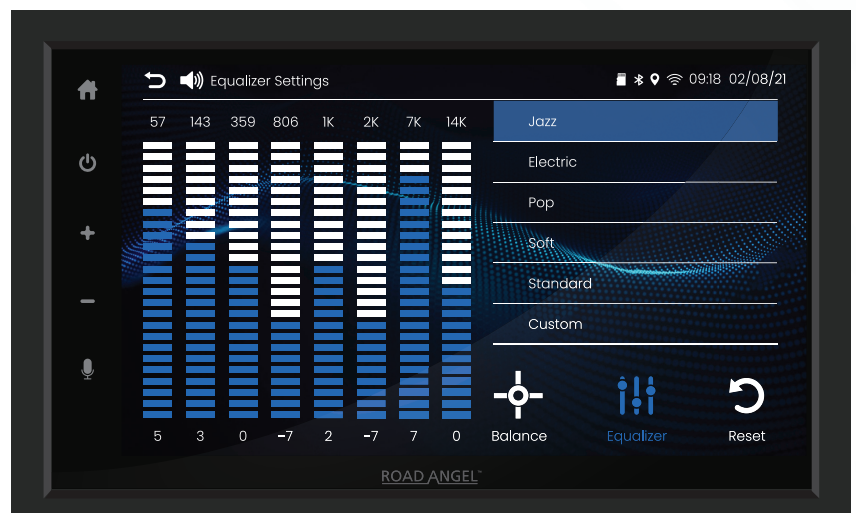
The 100mm cage included is designed to work with most vehicles but please note in some vehicles you will need 110mm cage or brackets. These are normally included in the vehicle specific fitting kit you need to buy. The below is an example of how our cage fits. In most vehicles, the cage fits through the fascia.



How to improve the sound

When you fit our RA-X stereos, the equaliser (EQ) is set on flat as standard, have a play around with the EQ to get the desired sound.

There are a few presets on there but you can create your own preset by adjusting any of the frequency bands



DISCLAIMER: This guide was published with the intention of guiding users on how to use certain features of the Road Angel Stereos. Please note some features are subject to change & as ongoing improvements are made to the stereos functions & appearance.