

V2.2PRO.17.11.23

ROAD ANGELTM

HALO PRO



USER MANUAL



Need Help? 0330 320 3030

RoadAngelGroup.com

What's in the box



Front Dash Camera



Rear Camera



Trim Tool



WARNING

THIS IS A 12V POWER CABLE, DO NOT USE ON OTHER DEVICES.
IT MUST ALSO BE INSERTED INTO THE LINE THE CORRECT WAY
AROUND AS FAILURE TO DO SO WILL CAUSE DAMAGE THAT IS
NOT COVERED UNDER THE MANUFACTURER'S WARRANTY.



Power Cable

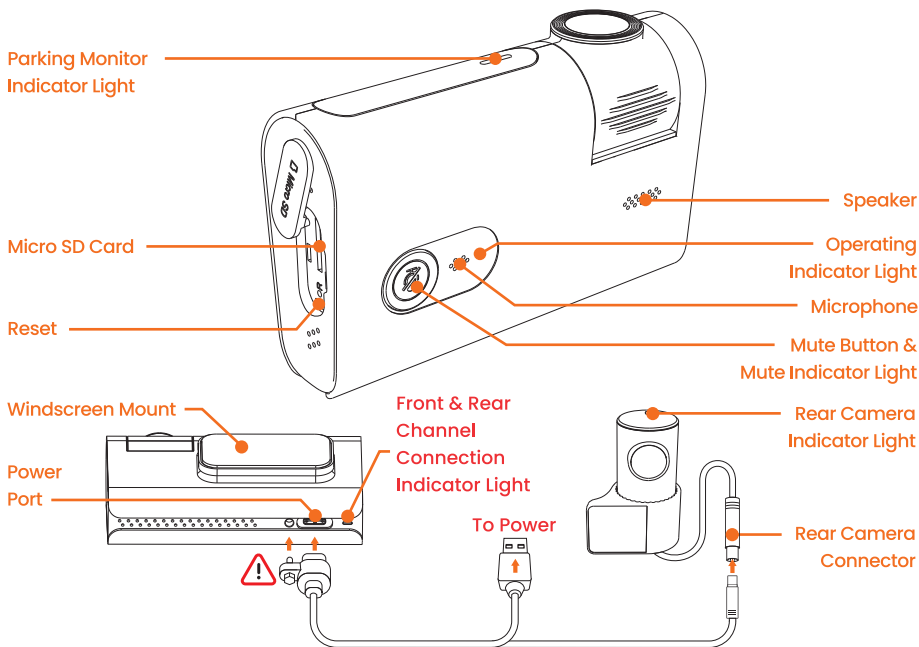


3M Stickers



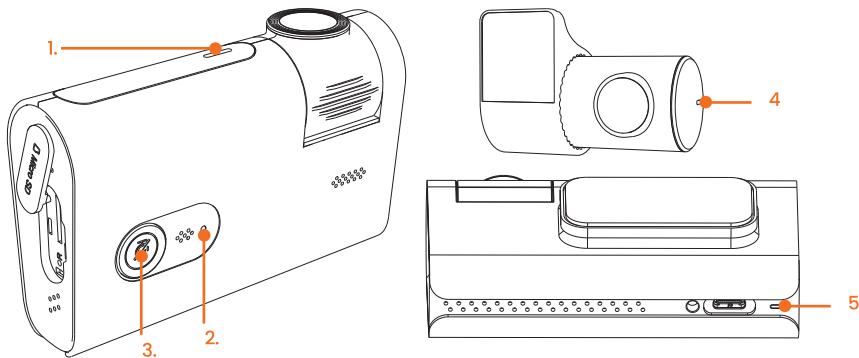
Quick Start Guide

Configuration & Button Instructions



It is of paramount importance that the Type C USB Power cable is inserted into the Halo Pro the correct way around. Failure to do so will result in damage to the unit which is not covered by the manufacturers warranty.

Operation Instructions



	No.	Status	Description
Front Cam	1.	Green LED Recording Mode	LED flashing in 1 second intervals - Normal recording LED flashing quickly - SD Card issue LED solid light - Formatting or Dash Cam issue
		Red LED Parking Mode	LED flashing in 1 second intervals - Parking Mode When the LED is NOT illuminated - Parking Mode currently off. This can be changed in the settings within the app.
	2.	Red LED - Mic	LED solid when microphone is muted - No audio recording
	3.	Red Illuminated	Press the button to mute/unmute the audio recording
	4.	Green LED Connected	Solid LED when the rear cam is connected successfully & recording
Rear Cam	5.	Green LED Recording	Solid LED when the rear cam is recording

Download the app



<https://lead.me/bcpE4P>

Download the Road Angel App from the Google Playstore or Apple Appstore using the above QR code. Alternatively navigate to your preferred Appstore and search for Road Angel Halo. You need to download the Road Angel App to use the Dash Camera.

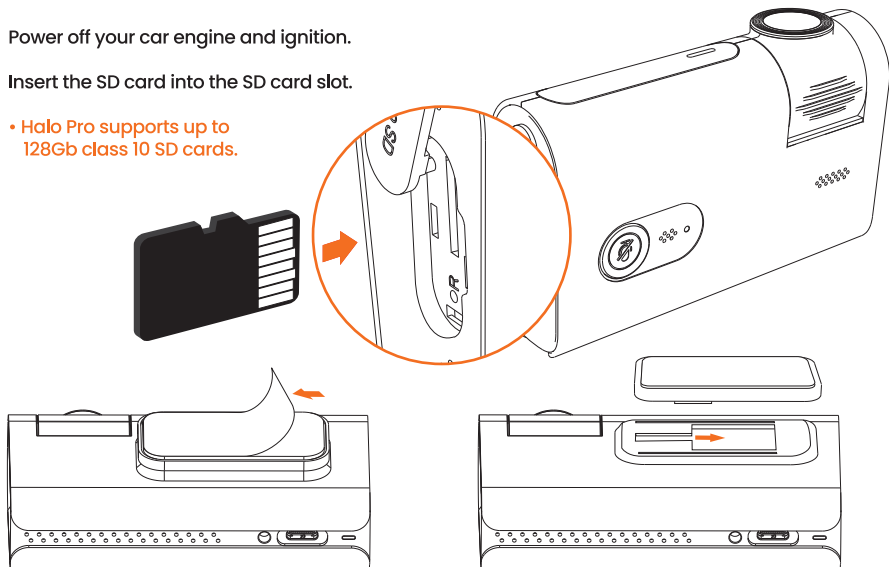


ROAD ANGELTM

Getting Started ¹

1. Power off your car engine and ignition.
2. Insert the SD card into the SD card slot.

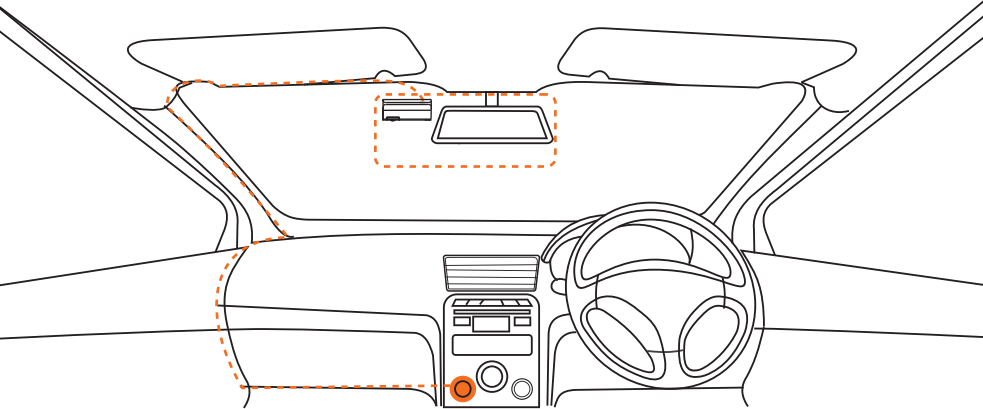
• Halo Pro supports up to 128Gb class 10 SD cards.



3. Mount the Halo Pro to your windscreen by peeling off the protective film from the 3M sticky pad and place behind the rear-view mirror.
4. Once the Halo Pro is mounted to the windscreen, it can be removed by carefully sliding the unit to the left and removing from the mount.

Do not remove SD Cards when the Camera is on. The SD Card will need formatting with the device before first use. Ensure the Halo Pro does not obstruct the view of the driver.

Getting Started ²



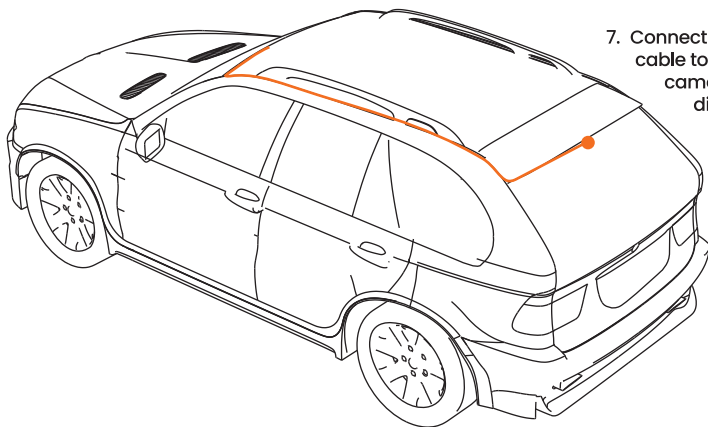
5. Plug the USB cable into the back of the power adapter and the micro USB into Halo Pro.
6. Follow the wire-running diagram on the next page to install the included rear camera link cable into your vehicle from the front camera to the position of the rear camera.

A constant/permanent power source is required for parking mode to operate correctly.

Hardwiring kits and accessories are available separately.



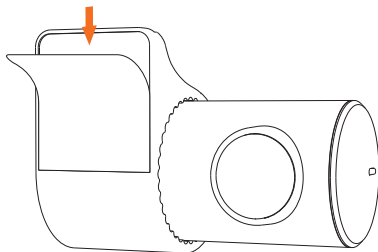
Getting Started ³



7. Connect the rear camera link cable to the front and rear camera following the diagrams on the configuration and button instructions page.

• Wiring diagram for the rear camera

8. Mount the Halo Pro rear camera to your rear window by peeling off the protective film from the 3M sticky pad and place in a location that will not obstruct your view.
9. Turn on the car's ignition and check everything is working correctly. The Halo Pro will automatically boot up with a welcoming voice alert.



Both front and rear cameras should be installed inside the vehicle only.

Wi-Fi Setup



Launch the App. Press the '+' icon in the top right corner. Then follow the instructions that will be shown in the App on how to connect the device via Wi-Fi. Once connected successfully you may return to the Halo App.

- The default Wi-Fi password is set to '1234567890'.

Live Preview ¹



To preview the dash camera currently recording footage, select the 'Camera' tab at the bottom of the screen and press the play icon. This will display a real time view of the live dash camera footage.

Below the live footage preview is an area that will show you come basic GPS information relating to your speed and mileage; current MPH, 'Total mileage' and 'Total duration'.

Live Preview ²



Flip Camera Button

At the top of the screen you will see the current live preview of the dash camera.

In the middle is the map of your current location. This will update as you drive.

At the bottom you will see 3 icons that allow you to download, take a photo or enter full screen. The download tab lets you download an image taken or download footage, this will take you to the download screen ready to create a clip.

Live Preview ³



Pressing the tab on the right of the map display will open the live data display.



You can switch back to the live map display at any time by pressing the tab on the left of the screen.

This shows data such as; 'Current speed', 'Average speed', 'Max speed', 'Current elevation', 'Compass/Direction' and 'Driving mileage'.

Live Preview ⁴



Enter the albums tab to view images, downloaded videos and events. Events are moments stored when the camera detects an impact from its G-Axis Sensors.

Select the image or video to view the file. Here you can save, delete or edit the file, saving the file saves it into your phone's media gallery outside of the app. If you wish to select multiple clips at once, you can do so by pressing and holding.

Photo Editing ¹



After you have selected the photo from the Album page you have several options.

Top right button saves photos to the phone's photo album. Bottom left magic wand opens the photo editing mode. Middle trash can deletes the photo and bottom right allows you to share the photo.

Photo Editing ²



The photo editing screen allows you to add text captions, video frames, contrast settings and choose from 17 photo filters.

When you are finished simply save your file.

Video Editing ¹



After you have selected a video from the Album page you have several options. The bottom controls change playback options. The top right buttons allow you to share the video and open the side menu.



From the side menu you can delete the video, 'Save' the video to your phones photo/video album or open the 'Video Editing' mode.

Video Editing ²

The video editing screen lets you crop the length of the selected video and choose video quality. Once done press the 'Next' button at the bottom to continue.



Video Playback ¹



To playback footage, slide the scroll bar which will show you a thumbnail of the moment about to be viewed along with the date and time.

Video Playback ²



You can rotate your phone to enhance the experience and see more options. You will also be able to download footage. You can also view Live preview, photo viewing or video viewing here.

ROAD ANGEL™

Download Footage ¹



When in the Landscape video playback mode, select the download icon on the right of the screen which will take you to the download screen.

To create a clip of what has been recorded, slide the viewing bar to the left to scroll backwards in time and to the left to go forwards. A thumbnail of what moment you are on with a date and time will be displayed to help select the right clip.

Press 'Start Download' on the right of the thumbnail of the footage, the footage will then begin playing back what is being downloaded in realtime.



Download Footage ²



When you are happy with the length of the video clip, press 'complete download'. While downloading, you may not have connection to the internet.

The screen will now show you a thumbnail of the downloaded video clip, giving you the option to 'share' or 'delete' the video clip, the video clip is stored in the app album tab.



GPS Telematics ¹



To access the GPS/Telematics data press the Setting icon ('Me') in the bottom right to access the general settings of the dash camera.

At the top of the first settings page you will see most recent GPS/Telematics data from your last route.

This will show you some basic information about your most recent route. Including driving scores, start and finish locations and mileage.

Press this tab/panel to show more information.

GPS Telematics 2



After pressing the tab/panel for more information you will be presented with this page.

This page stores and shows more than just your most recent route with much more added information.

Clicking on different tabs will expand the details and show that route in map form.

Pressing a map will take you to the next page.

GPS Telematics ³



After pressing the map information on the last page you will be presented with detailed information regarding the GPS/Telematics of that particular route.

Pressing the Play icon in the bottom right of the map will playback the route in map form with live data replay.

You can also press the top right button to save an image with all current information.

The information at the bottom of the page can be changed by swiping to the left.



GPS Telematics 4

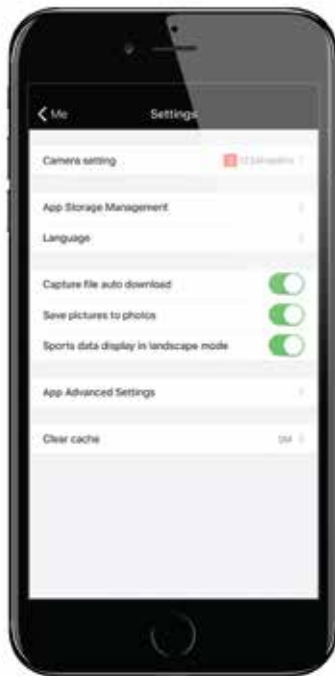
Swiping left on the data panels will cycle through the information that has been recorded.

The data types that are recorded represent information about driving score, speed (in graph form) over the entire route, elevation (in graph form), acceleration and brake performance (shown in speed/time format) and distance.

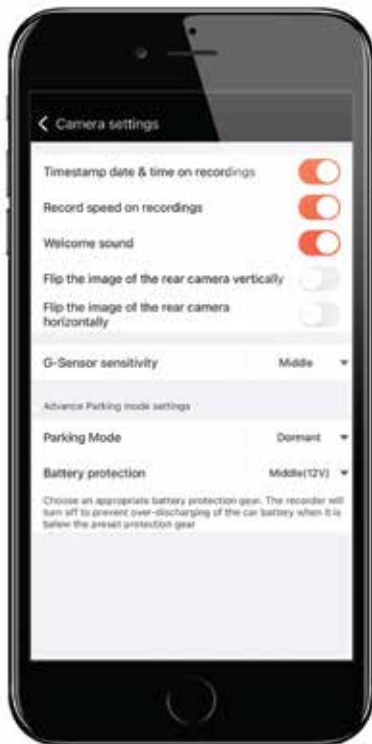


Camera Settings

When connected to the camera, press the Settings icon ('Me') in the bottom right to access the general settings of the dash cam.



Advanced Camera Settings



Parking Mode

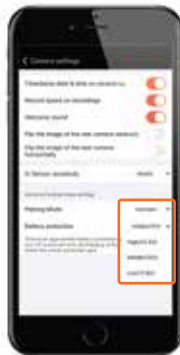
The Halo Pro's parking mode records video footage even when your vehicle is parked. The parking mode feature has several settings that can be changed. these will be different depending on the vehicles ignition state.



Dormant - This turns the camera off – unless G – Sensor picks up a Shock.



Time-lapse – This speeds up and compresses footage in real-time (Camera stays on)



Normal – This is normal recording mode.

When the vehicles ignition is turned ON the 'Advanced Camera Settings' screen will show as above. You can also adjust the Parking Mode G-Sensor sensitivity and set the threshold for the Parking Mode Low Battery Shut off protection.

When the vehicles ignition is turned OFF the 'Advanced Camera Settings' screen will show as above. Here you can adjust the Parking Mode G-Sensor sensitivity, set what type of video format you want Parking Mode to be recorded in and set the duration of the Parking Mode recording time limit.

Parking Mode requires a Hardwiring Kit to function. These can be purchased separately.

Specification & References

MAIN HARDWARE

Recording	Front: 2K 1520P@25fps HD Loop Recording Rear: 1080P@20fps HD Loop Recording
Lens Layer	Front: 140° Viewing Angle - f/1.8 Aperture - 6 Rear: 120° Viewing Angle - f/2.2 Aperture - 4 Layer
Image Sensor	Front: Omnivision OV4689 CMOS Image Sensor Rear: Omnivision OV9712 CMOS Image Sensor
Processor	Front: Hisilicon Hi3516D Processor Rear: Hisilicon Hi3518E Processor

TECHNICAL PARAMETERS

Storage	Micro SD Card, up to 128Gb, Auto Loop
Video Resolution	Front: 1520P Rear: 1080P
Image Resolution	4 Million Pixels
Connectivity	Wi-Fi 2.4GHz

- Apps and camera firmware continue to update.
- Store temperatures: -20°C - 70°C
- Foreign objects on the lens will seriously reduce image quality. Clean the lens using a soft non-static cloth. Do not clean using abrasive materials and/or chemicals.
- In the unlikely event of a problem with the device, repairs must be undertaken by a professional.
- Do not dispose of this item in household refuse, please use dedicated electrical recycling widely available.

FCC STATEMENT This device complies with Part 15 of the FCC Rules. Operation is subject to the following 2 conditions: (1) This device may not cause harmful interference, and (2) Must accept any interference received, Incl. interference that may cause undesired operation.

WARNING Changes or modifications not expressly approved by the partly responsible for compliance could void the user's authority to operate the equipment.

NOTE This equipment has been tested and found to comply with the limits for a Class B digital device. These limits are designed to provide reasonable protection against harmful interference in a residential installation. This equipment generates uses and can radiate radio frequency energy and, if not installed and used in accordance with the instructions, may cause harmful interference to radio communications. However, there is no guarantee that interference will occur in a particular installation. If this equipment does cause harmful interference to radio or TV reception, which can be determined by turning the equipment off and on, the user is encouraged to try to correct the interference by one or more of the following measures: (1) Reorient or relocate the receiving antenna. (2) increase the separation between the equipment and receiver. (3) Connect the equipment into an outlet on a circuit different from that which the receiver is connected. (4) Consult the dealer or an experienced radio/TV technician for help.

Road Angel Group, DB House, Rani Drive, Nottingham NG5 1RF

roadangelgroup.co.uk

Copyright© 2023 Road Angel Group. All Rights Reserved

Need Help?

Support page



<https://www.roadangelgroup.com/pages/support>

Youtube channel



<https://www.roadangelgroup.com/pages/support>

Pure One



UK's Most Trusted
Road Safety Assistant

RoadAngelGroup.com