

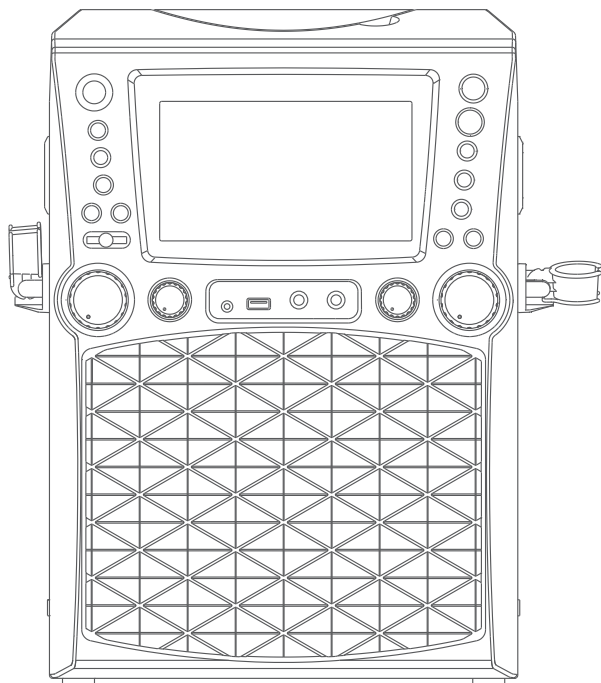


singing machine®

creating Joy through music™

STVG885BK

INSTRUCTION MANUAL/ MANUAL DE INSTRUCCIONES
/ MODE D'EMPLOI





www.singingmachine.com

The Singing Machine® is a registered trademark of The Singing Machine Co., Inc.

The Singing Machine® es marca registrada de The Singing Machine Co., Inc.

The Singing Machine® est une marque déposée de The Singing Machine Co., Inc.

Warnings

	CAUTION RISK OF ELECTRIC SHOCK DO NOT OPEN	
CAUTION: TO REDUCE THE RISK OF ELECTRIC SHOCK, DO NOT REMOVE COVER (OR BACK). NO USER-SERVICEABLE PARTS INSIDE. REFER SERVICING TO QUALIFIED SERVICE PERSONNEL. The Caution marking is located on the bottom panel.		



DANGEROUS VOLTAGE: The lightning flash with arrowhead symbol within an equilateral triangle is intended to alert the user to the presence of uninsulated dangerous voltage within the product's enclosure that may be of sufficient magnitude to constitute a risk of electric shock to persons.



ATTENTION: The exclamation point within an equilateral triangle is intended to alert the user to the presence of important operating and maintenance (servicing) instructions in the literature accompanying this product.

DRIPPING WARNING: This product shall not be exposed to dripping or splashing, and no objects filled with liquids, such as vases, shall be placed on the product.

VENTILATION WARNING: The normal ventilation of the product shall not be impeded for intended use.

THIS PRODUCT COMPLIES WITH DHHS RULES 21 CFR CHAPTER 1, SUBCHAPTER J APPLICABLE AT DATE OF MANUFACTURED.

Warnings:

- This CD player employs a laser light beam. Only a qualified service person should remove the cover or attempt to service this device, due to possible eye injury.
- The use of controls, adjustments, or procedures other than those specified herein might result in hazardous radiation exposure.
- The apparatus shall be used in an open area.

CAUTION!

Invisible laser radiation when open and interlocks defeated. Avoid exposure to beam.

WARNING: TO PREVENT FIRE OR SHOCK HAZARD, DO NOT EXPOSE THIS UNIT TO RAIN OR MOISTURE.

FCC WARNING: This equipment may generate or use radio frequency energy. Changes or modifications to this equipment may cause harmful interference unless the modifications are expressly approved in the instruction manual. The user could lose the authority to operate this equipment if an unauthorized change or modification is made.

This device complies with part 15 of the FCC Rules. Operation is subject to the following two conditions: (1) This device may not cause harmful interference, and (2) this device must accept any interference received, including interference that may cause undesired operation.

NOTE: This equipment has been tested and found to comply with the limits for a Class B digital device, pursuant to part 15 of the FCC Rules. These limits are designed to provide reasonable protection against harmful interference in a residential installation. This equipment generates, uses and can radiate radio frequency energy and, if not installed and used in accordance with the instructions, may cause harmful interference to radio communications. However, there is no guarantee that interference will not occur in a particular installation. If this equipment does cause harmful interference to radio or television reception, which can be determined by turning the equipment off and on, the user is encouraged to try to correct the interference by one or more of the following measures:

- Reorient or relocate the receiving antenna.
 - Increase the separation between the equipment and receiver.
 - Connect the equipment into an outlet on a circuit different from that to which the receiver is connected.
 - Consult the dealer or an experienced radio/TV technician for help.
 - The rating information is located at the bottom of the unit.
- Changes or modifications not expressly approved by the party responsible for compliance could void the user's authority to operate the equipment.

INDUSTRY CANADA NOTICE:

This device contains licence-exempt transmitter(s)/receiver(s) that comply with Innovation, Science and Economic Development Canada's licence-exempt RSS(s). Operation is subject to the following two conditions:

- (1) This device may not cause interference.
- (2) This device must accept any interference, including interference that may cause undesired operation of the device.

CAN ICES-3(B)/NMB-3(B)

Important Safety Information

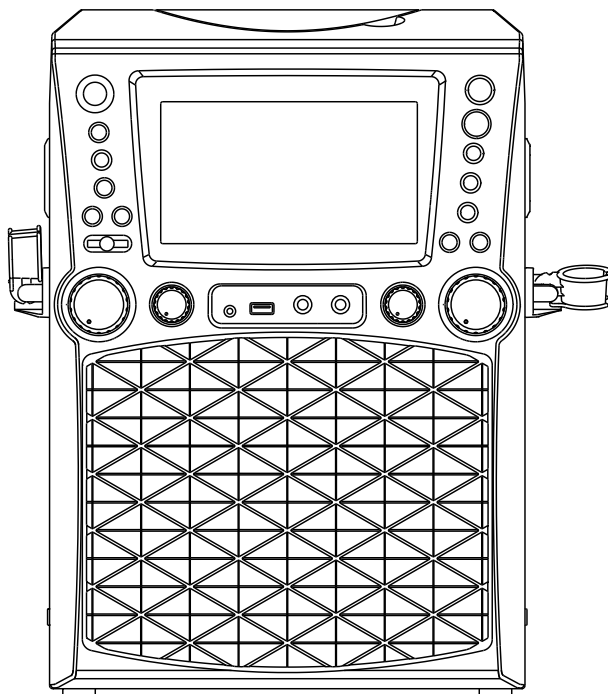
1. Read these Instructions.
2. Keep these Instructions.
3. Heed all Warnings.
4. Follow all Instructions.
5. Do not use this apparatus near water.
6. Clean only with a dry cloth.
7. Do not block any of the ventilation openings. Install in accordance with the Manufacturer's instructions.
8. Do not install near any heat sources such as radiators, heat registers, stoves, or other apparatus (including amplifiers) that produce heat.
9. Do not defeat the safety purpose of the polarized or grounding-type plug. A polarized plug has two blades with one wider than the other. A grounding type plug has two blades and a third grounding prong. The wide blade or the third prong are provided for your safety. When the provided plug does not fit into your outlet, consult an electrician for replacement of the obsolete outlet.
10. Protect the power cord from being walked on or pinched particularly at plugs, convenience receptacles, and the point where they exit from the apparatus.
11. Only use attachments/accessories specified by the manufacturer.
12. Use only with a cart, stand, tripod, bracket, or table specified by the manufacturer, or sold with the apparatus. When a cart is used, use caution when moving the cart/apparatus combination to avoid injury from tip-over.
13. Unplug this apparatus during lightning storms or when unused for long periods of time.
14. Refer all servicing to qualified service personnel. Servicing is required when the apparatus has been damaged in any way, such as power-supply cord or plug is damaged, liquid has been spilled or objects have fallen into the apparatus, the apparatus has been exposed to rain or moisture, does not operate normally, or has been dropped.
15. **WARNING:** To reduce the risk of fire or electric shock, do not expose this apparatus to rain or moisture. Do not place objects filled with water, such as a vase, on the apparatus.
16. The AC mains plug is used as the power disconnect device and it should remain readily accessible and operable during intended use. In order to completely disconnect the apparatus from power, the mains plug should be completely removed from the AC outlet socket.
17. **CAUTION:** To reduce the risk of fire or explosion, do not expose batteries to excessive heat such as sunshine, fire or other heat sources.

PORTABLE CART WARNING
(symbol provided by IRETAO)

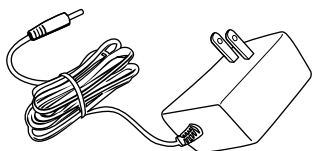


Included

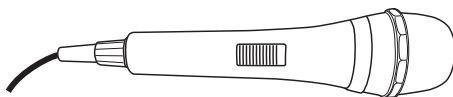
Please make sure that the following items are included.



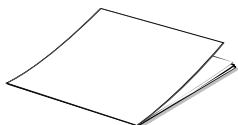
Main Unit



AC Adapter



Wired Microphone

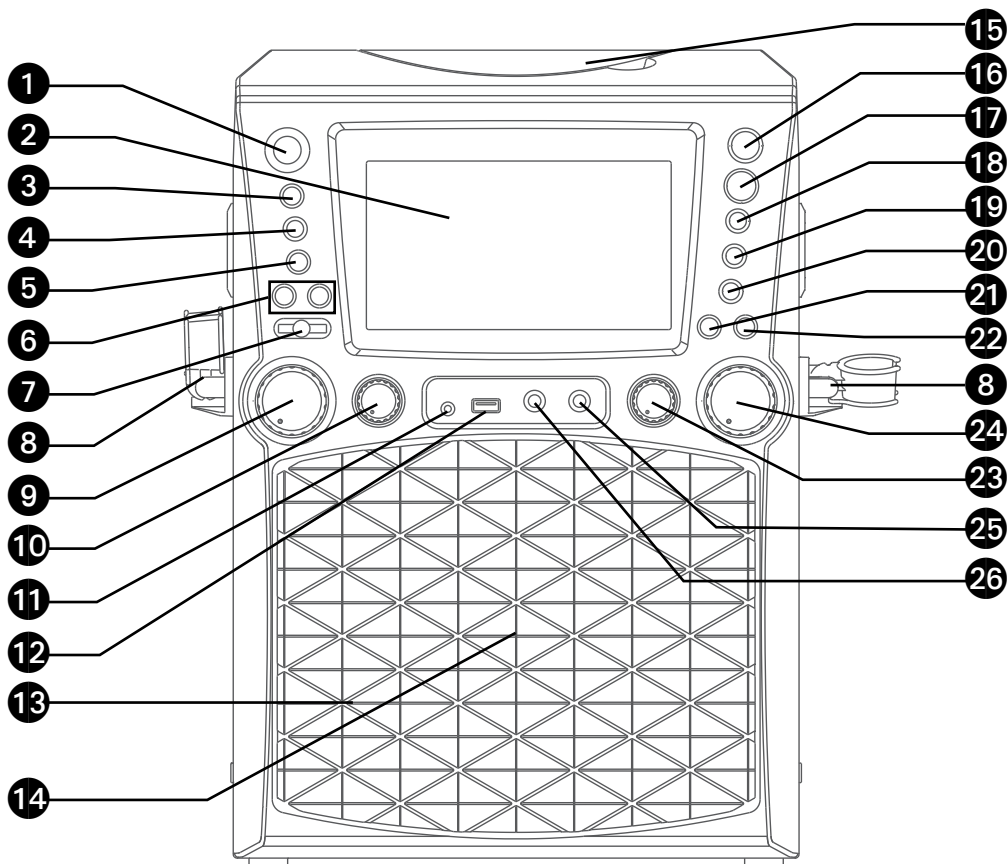




Manual



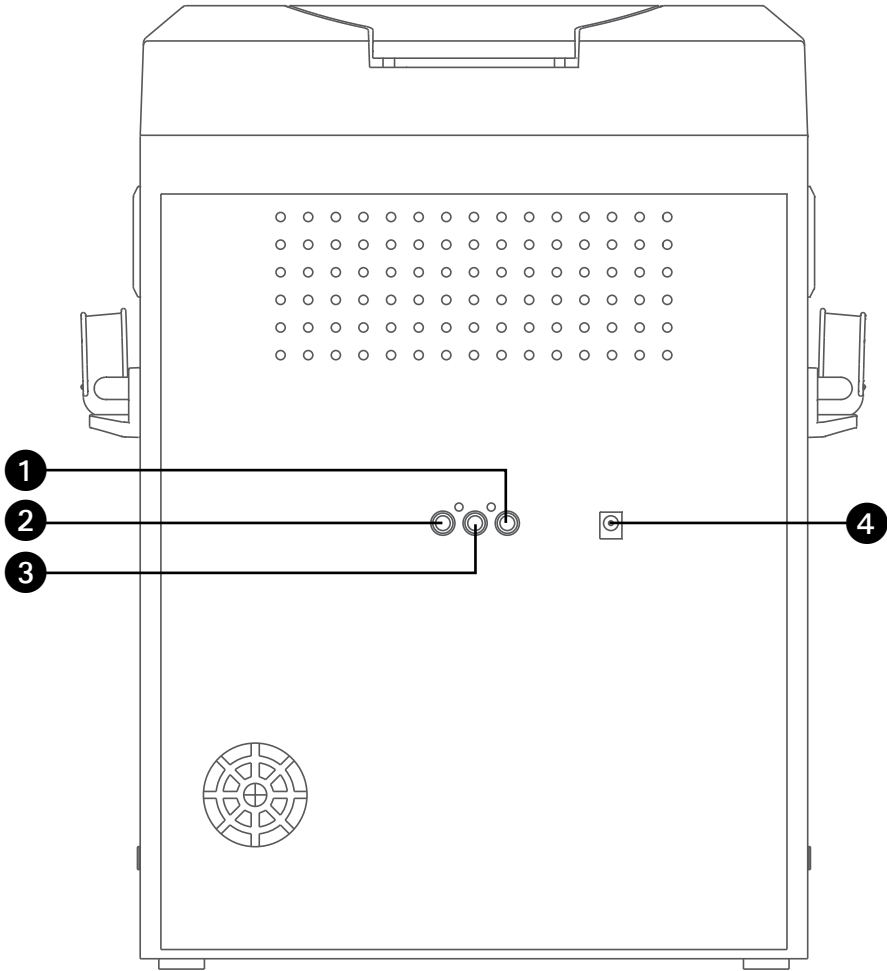
Audio/Video Cables

Location of Controls (Top/Front)



- | | | |
|-------------------------------------|--|---------------------------|
| 1. ON/STANDBY Button | 9. MIC VOLUME Control | 19. SKIP ⏮/▲ Button |
| 2. Screen | 10. ECHO Control | 20. SKIP ⏭/▼ Button |
| 3. FUNCTION Button | 11. LINE IN Jack | 21. RECORD Button |
| 4. MONITOR ON/OFF Button | 12. USB Port | 22. PROGRAM/REPEAT Button |
| 5. Auto Voice Control ON/OFF Button | 13. Disco Lights | 23. BALANCE Control |
| 6. KEY - (◀)/+ (▶) Buttons | 14. Speaker | 24. MUSIC VOLUME Control |
| 7. Lights Slide Switch | 15. CD Compartment | 25. MIC 2 Jack |
| 8. Mic Holders | 16. PAIR  Button | 26. MIC 1 Jack |
| | 17. PLAY/PAUSE  /ENTER Button | |
| | 18. STOP  Button | |

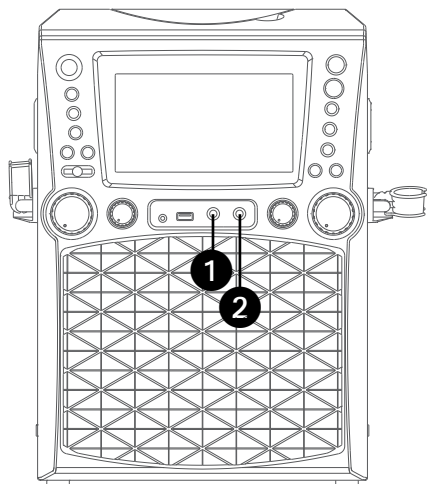
Location of Controls (Rear)



1. AUDIO OUT Left Jack
2. VIDEO OUT Jack
3. AUDIO OUT Right Jack
4. DC IN Jack

Connection

Connecting the Microphone(s)

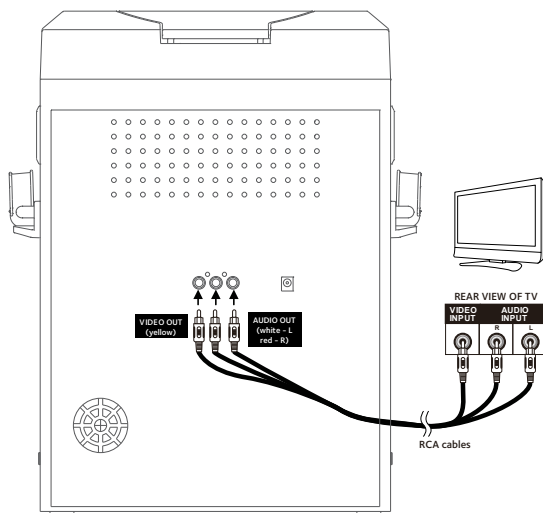


Microphones:

Connect a microphone into Mic jack 1 **1** as well as Mic jack 2 **2** (when desired).

Note: Do not drop or tap the Mic as damage to the Mic or speakers may occur. Do not twirl the microphone cord as it will cause damage to the encased wiring.

Connecting the Unit to a TV



To output the video, lyrics and audio to your TV, perform the following steps:

Connect the RCA video cable (Yellow) to the VIDEO OUT jack and the audio cables (White and Red) to the AUDIO OUT jacks located on the back of the Singing Machine.

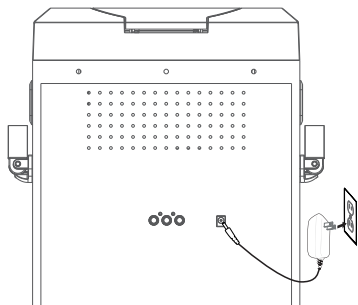
Connect the opposite end of the RCA video cable (Yellow) to the VIDEO IN jack and the audio cables (White and Red) to the AUDIO IN on your TV.

Notes:

- This unit can be used with or without a TV.
- Also refer to the TV's User Guide.
- To see the lyrics on the screen, you must use a CD+G disc or MP3+G files.
- Audio/Video cables are included.

Connection

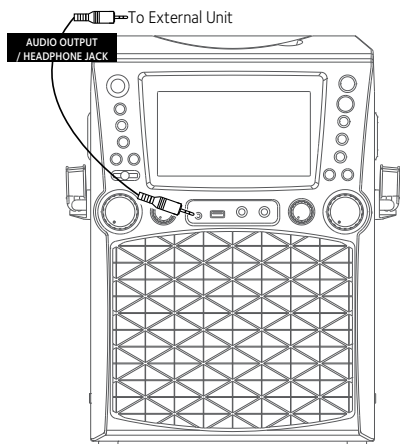
Connecting to AC Power



Insert the small end of the AC adapter into the DC IN jack on the rear of the unit. Insert the other end (with the 2 blades) into a conveniently located AC outlet having 120V AC, 60Hz.

Note: Make all connections before connecting to AC power.

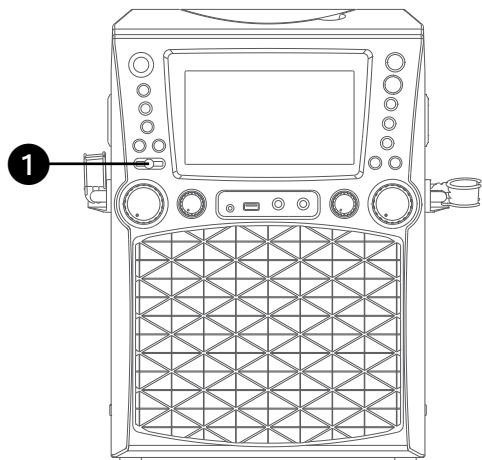
Connecting to Line In Jack



Connect an external device by using an appropriate cable (3.5mm audio cable not included) as shown.

Note: See page E18 to select and use the Line In function.

Light Mode



1 For lighting effects, slide the **LIGHTS** switch from the OFF position to your desired mode.

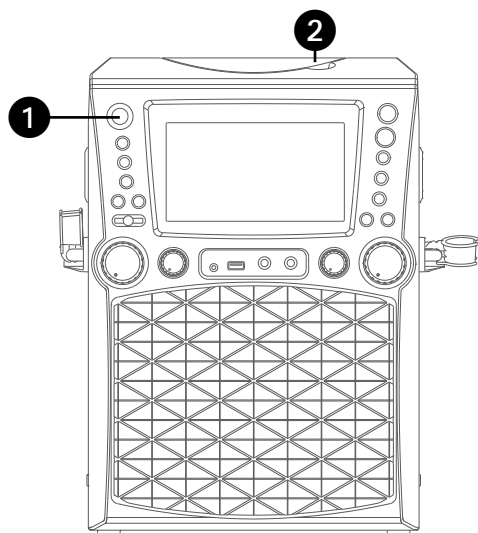
MODE 1: The unit will synchronize to the music being played or the live singing performance.

MODE 2: Lights will glow but will not pulse with microphone.

OFF: To turn off lights.

Operation

Playing a CD



1 Connect the unit as described previously. Press the **ON/STANDBY** button to turn the unit on.

2 Lift open the CD door and insert a CD (with standard or MP3+G files) or a CD+G by gently pressing it on the center spindle. Then close the CD door.

Notes:

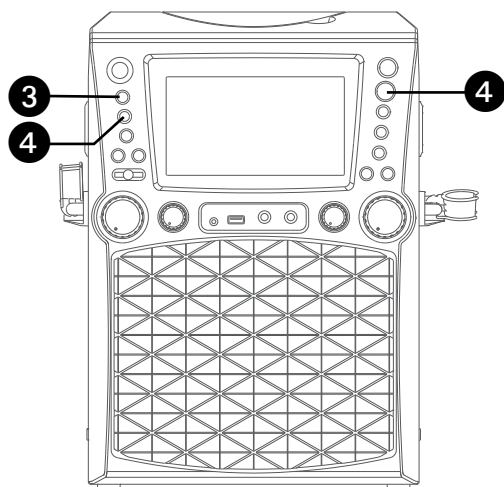
- **What is a CD+G?**

A CD+G (CD+Graphics) is the standard format for most karaoke discs that will display the words on the screen.

- **What is an MP3+G?**

MP3+G is the newest format for karaoke music utilizing the MP3's small file size. It will display the words on the screen.

- Never place anything other than a CD in the compartment, as foreign objects can damage the unit.
- If no disc is inserted, "NO DISC" will appear on the screen.
- If connected to a TV or other audio source, adjust the volume of the TV using its own volume control.

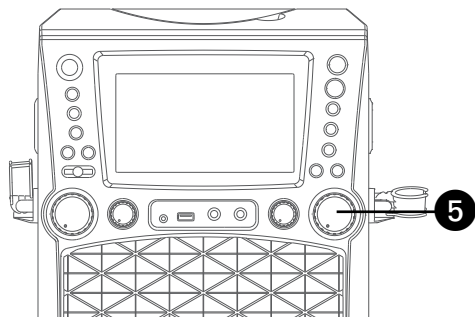


3 Repeatedly press the **FUNCTION** button to select the CDG/CD mode; "READ" will appear when searching the disc and then the total number of tracks will appear.

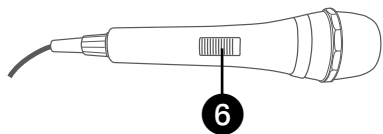
4 Press the **PLAY/PAUSE ►|| /ENTER** button to start playback. If listening to a CD+G file, press the **MONITOR ON/OFF** button to view the image and lyrics on the screen.

Operation

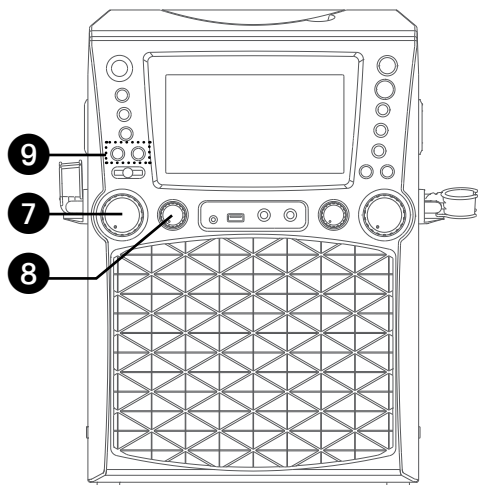
Playing a CD (Continued)



- 5 Adjust the music to a comfortable level using the **MUSIC VOLUME** control.



- 6 Connect microphone(s) and slide the **ON/OFF** switch on the microphone to the ON position.



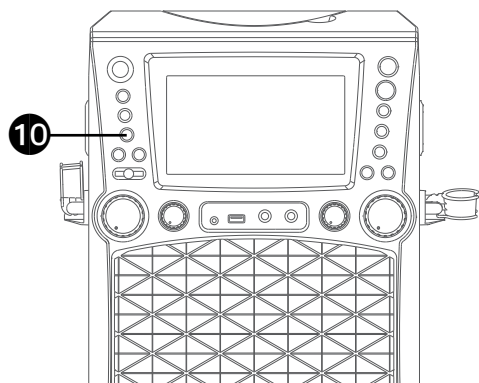
- 7 Adjust the **MIC VOLUME** control as desired. Increasing this control will increase the volume of both microphones.

- 8 Rotate the **ECHO** control to add an echo effect to your voice. Rotate towards **MAX** to increase the echo effect.

- 9 Adjust the Key using the **KEY +/▶** and **KEY -/◀** buttons to obtain the best key for the singer.

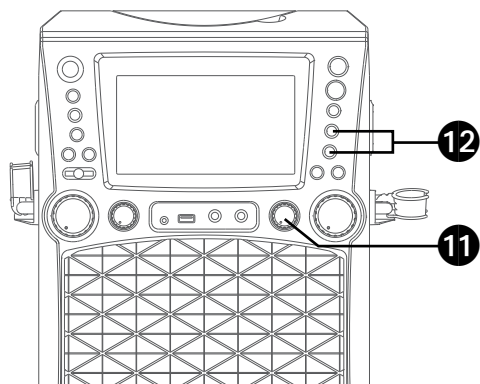
Operation

Playing a CD (Continued)



- 10** **AUTO VOICE CONTROL** can be activated by pressing the **AUTO VOICE CONTROL ON/OFF** button. The vocals on a multiplex recording will be muted as soon as the singer begins singing into the microphone. When the singer stops singing, the recorded vocals on the multiplex recording will resume to normal.

Note: This is only for files recorded with this multiplex feature.

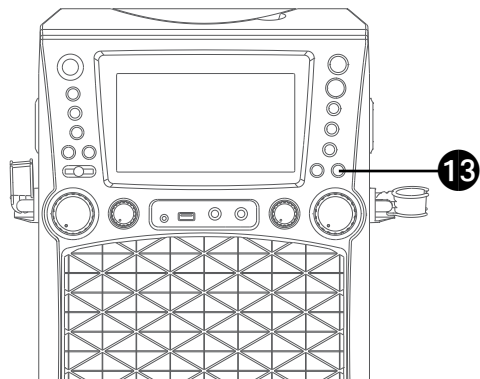


- 11** Rotate the **BALANCE** control clockwise to hear the recorded vocals with some music in the background or counter-clockwise to hear the music only from a multiplex recording.

Note: To use the **BALANCE** control, a CD+G disc must be used, otherwise it will operate as a standard Balance control.

- 12** **SKIP:** Advance or go back one track by pressing the **SKIP** \ll / \blacktriangle or **SKIP** \gg / \blacktriangledown buttons.
SEARCH: When playing any audio CD, press and hold the **SKIP** \ll / \blacktriangle or **SKIP** \gg / \blacktriangledown button. The CD will search at high speed in the forward or backward direction. Normal play will continue when you release the button.

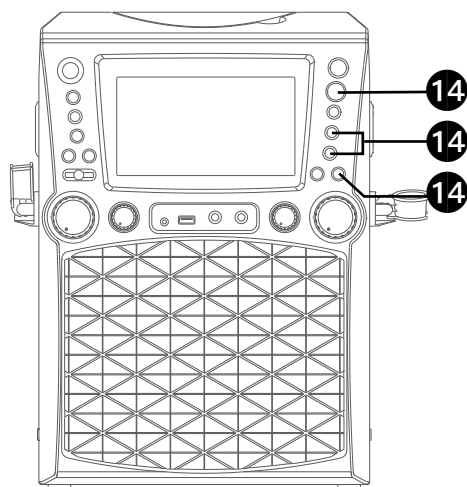
Note: SEARCH function only works with CD not CD+G discs.



- 13** **REPEAT:** To repeat the current track, press the **PROGRAM/REPEAT** button once during playback, \curvearrowright will appear in the display and the current track will be repeated. To repeat all tracks, press the **PROGRAM/REPEAT** button again, \curvearrowright will appear. Press again to cancel the Repeat feature; \curvearrowright will appear.

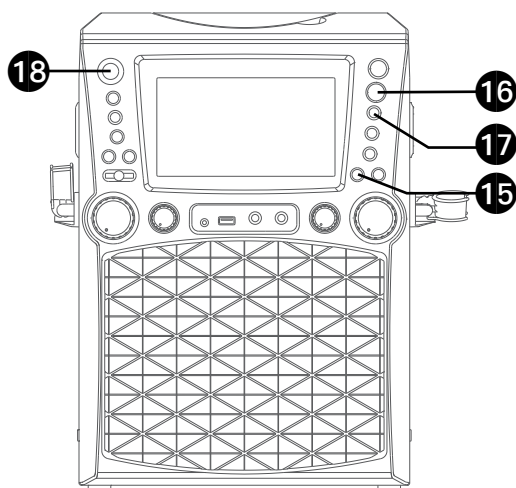
Operation

Playing a CD (Continued)



- 14 PROGRAM:** You can program up to 20 tracks for playback in any desired order. While in Stop mode, press the **PROGRAM/REPEAT** button; PROG SET 01:XX (xx is the total tracks) will appear in the display. Select the first track using the **SKIP** \ll/\blacktriangle or **SKIP** \gg/\blacktriangledown buttons, then press the **PROGRAM/REPEAT** button. Repeat to set up to 20 tracks into memory. When done, press the **PLAY/PAUSE** $\blacktriangleright\|\blacktriangleleft$ /**ENTER** button to start playback.

Note: Press the **STOP** \blacksquare button TWICE to stop and clear the program.



- 15 RECORDING YOUR SINGING:** Insert a USB drive first, then press the **RECORD** button; the song will start over and recording will begin. REC with track progress in percentage will appear at the top left of the screen. When done recording, press the **RECORD** button again to stop recording.

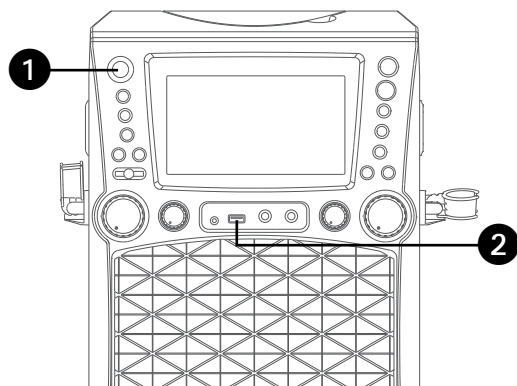
- 16 PAUSE:** During playback, if you wish to pause the disc momentarily, press the **PLAY/PAUSE** $\blacktriangleright\|\blacktriangleleft$ /**ENTER** button. Press again to resume normal playback.

- 17** Press the **STOP** \blacksquare button to stop playback.

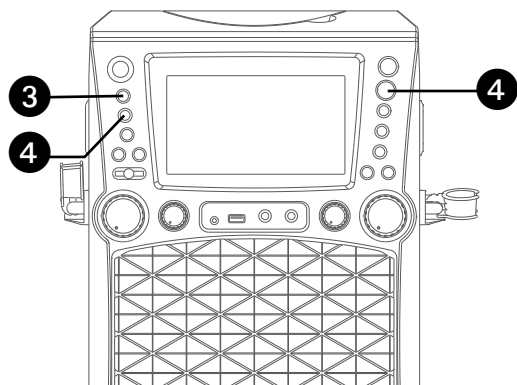
- 18** Press the **ON/STANDBY** button to turn the unit off.

Operation

Playing Songs from the USB



1 Connect the unit as described previously. Press the **ON/STANDBY** button to turn the unit on.

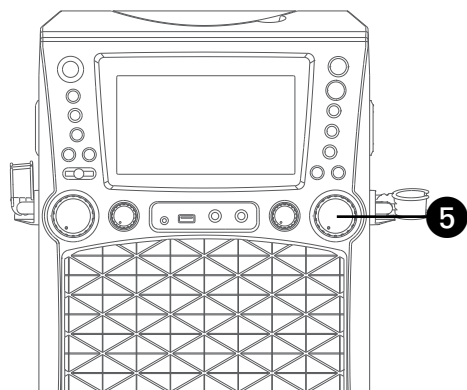


2 Insert a USB flash drive into the USB port on the unit so it faces upward. Make sure to download music from the Karaoke store.

3 Repeatedly press the **FUNCTION** button to select the USB mode; “READ USB” will appear when searching the drive and then the total number of files will appear.

4 Press the **PLAY/PAUSE ►|| / ENTER** button to start playback; if listening to an MP3+G file, press the **MONITOR ON/OFF** button to view the image and lyrics on the screen.

Note: On the screen, folders that contain recordings and songs appear to the left and the list of tracks from a selected folder will appear to the right.

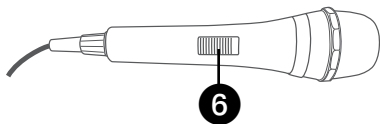


5 Adjust the music to a comfortable level using the **MUSIC VOLUME** control.

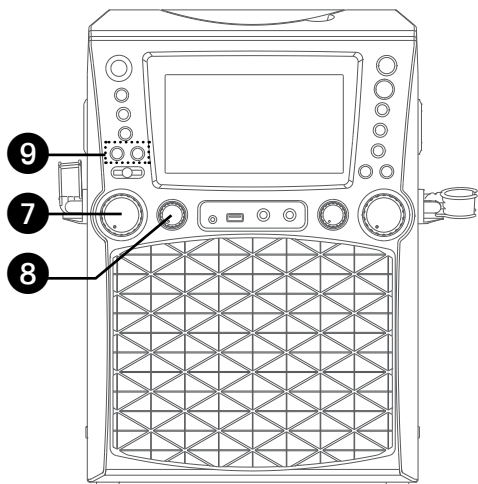
Note: If connected to a TV or other audio source, adjust the volume of the TV using its own volume control.

Operation

Playing Songs from the USB (Continued)



6 Connect microphone(s) and slide the **ON/OFF** switch on the microphone to the ON position.



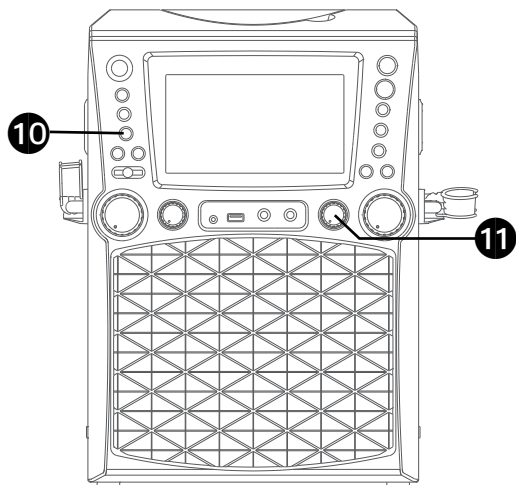
7 Adjust the **MIC VOLUME** control as desired. Increasing this control will increase the volume of both microphones.

8 Rotate the **ECHO** control to add an echo effect to your voice. Rotate towards **MAX** to increase the echo effect.

9 Adjust the Key for the song using the **KEY +/▶** and **KEY -/◀** buttons to obtain the best key for the singer.

10 **AUTO VOICE CONTROL** can be activated by pressing the **AUTO VOICE CONTROL ON/OFF** button. The vocals on a multiplex recording will be muted as soon as the singer begins singing into the microphone. When the singer stops singing, the vocals are automatically unmuted.

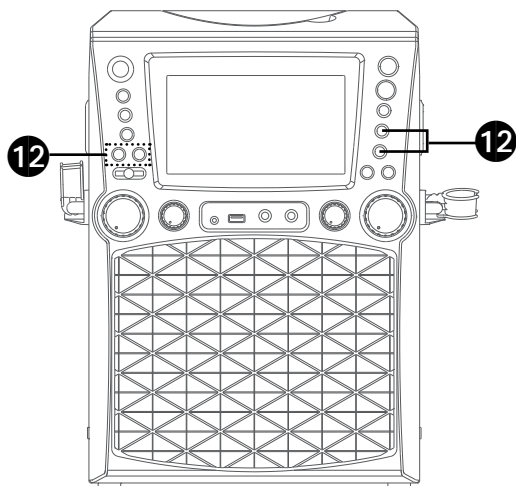
Note: This is only for files recorded with this multiplex feature.



11 Rotate the **BALANCE** control clockwise to hear the music and recorded vocals from a multiplex recording or counterclockwise to hear the music only from a multiplex recording.

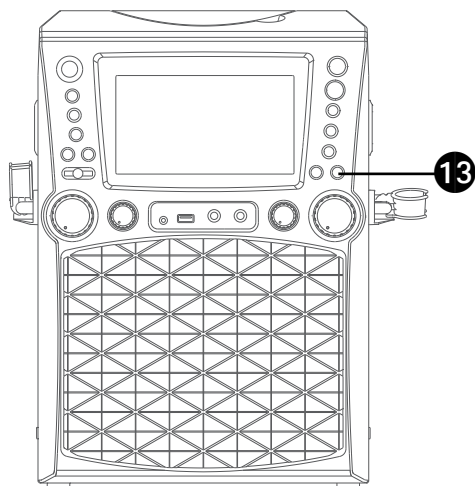
Operation

Playing Songs from the USB (Continued)



12 SKIP: Advance or go back one file by pressing the **SKIP** \llcorner/\blacktriangle or **SKIP** $\blacktriangleright/\blacktriangledown$ buttons.

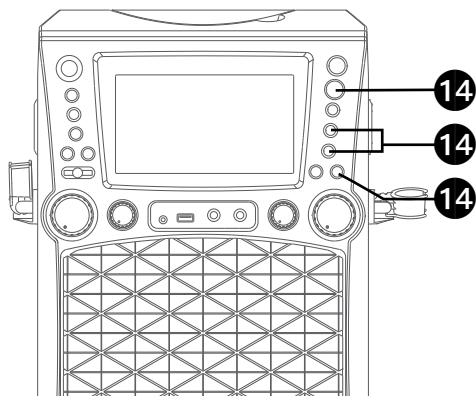
SEARCH: When playing any audio from the USB, press and hold the **SKIP** \llcorner/\blacktriangle or **SKIP** $\blacktriangleright/\blacktriangledown$ buttons. The USB will search at high speed in the forward or backward direction. Normal play will continue when you release the button. During Stop mode you can also select a file using the **SKIP** \llcorner/\blacktriangle or **SKIP** $\blacktriangleright/\blacktriangledown$ buttons to scroll up/down and/or the **KEY +/▶** and **KEY -/◀** buttons to scroll right/left. Recorded music will be in the folder labeled, REC.



13 REPEAT: To repeat the current track, press the **PROGRAM/REPEAT** button once during playback, \curvearrowright 1 will appear in the display and the current track will be repeated. Press the **PROGRAM/REPEAT** button twice, \curvearrowright D will appear and all MP3 tracks inside the current folder will be repeated continuously. To repeat all tracks, press the **PROGRAM/REPEAT** button again, \curvearrowright A will appear. Press again to cancel the Repeat feature; \curvearrowright X will appear.

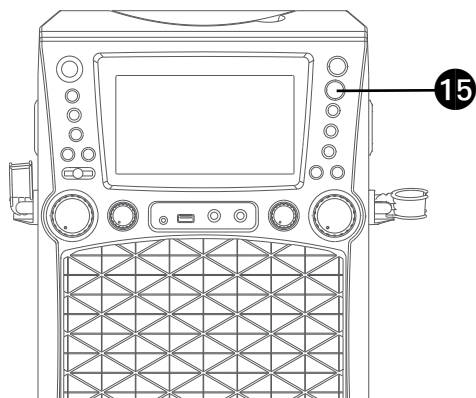
Operation

Playing Songs from the USB (Continued)

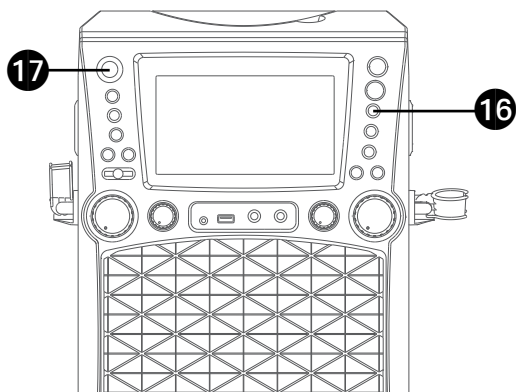


- 14 PROGRAM:** You can program up to 20 tracks for playback in any desired order. While in Stop mode, press the **PROGRAM/REPEAT** button; PROG SET 01:XX (xx is the total tracks) will appear in the display. Select the first track using the **SKIP** ◀/▲ or **SKIP** ▶/▼ buttons, then press the **PROGRAM/REPEAT** button. Repeat to set up to 20 tracks in memory. When done, press the **PLAY/PAUSE** ▶||/ENTER button to start playback.

Note: Press the **STOP** ■ button TWICE to stop and clear the program.



- 15 PAUSE:** During playback, if you wish to pause the music momentarily, press the **PLAY/PAUSE** ▶||/ENTER button. Press again to resume normal playback.



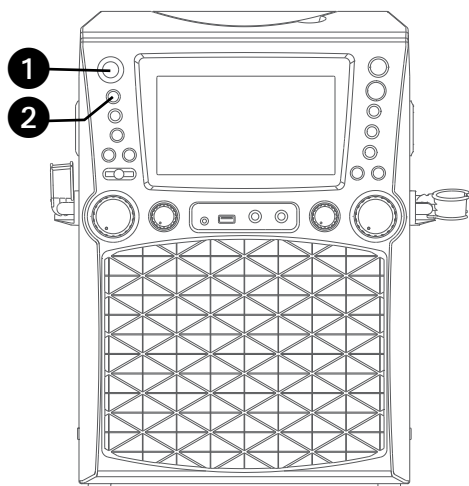
- 16** Press the **STOP** ■ button to stop playback.

- 17** Press the **ON/STANDBY** button to turn the unit off.

Note: You cannot record from the USB.


Operation

Using a Bluetooth Device



1 Connect the unit as described previously. Press the **ON/STANDBY** button to turn the unit on.

2 Repeatedly press the **FUNCTION** button to select the Bluetooth; “Bluetooth” will flash on the screen. The screen will show your Bluetooth device is ready to connect with a notification sound. If there is a previously paired Bluetooth device nearby, the unit will connect to it automatically with a successful pairing sound. If no previously paired devices are present, connect as shown in the next step.

Note: You can also press the  button to disconnect any paired devices in order to pair another device.

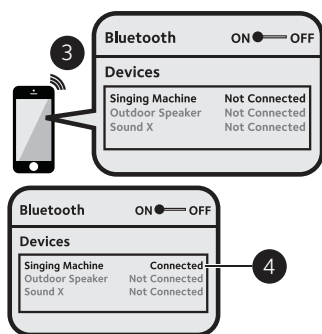
3 Turn on your device’s Bluetooth option in settings to search for a discoverable device with a Bluetooth signal. Select “**Singing Machine**” from the device results on the Bluetooth menu.

Note: Also refer to the user manual of your Bluetooth device for detailed instructions.

4 The screen will show that your Bluetooth device is connected successfully followed by a paired sound.

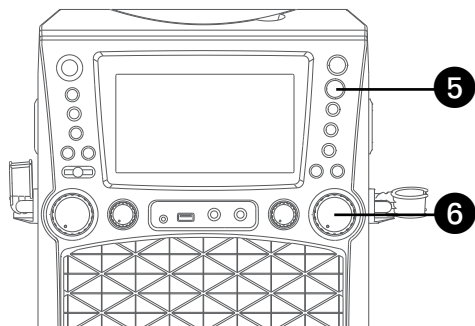
Notes:

- If your Bluetooth prompts you for a passcode during the pairing process, please enter “0000” to connect.
- On some Bluetooth devices, once pairing is complete, select your Bluetooth device as “Use as Audio Device” or similar.
- If connection is lost after successful pairing, check to make sure the distance between speaker and Bluetooth-enabled device does not exceed 30 feet/10 meters.



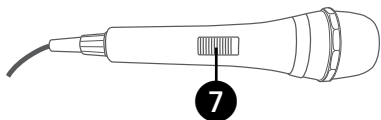
Operation

Using a Bluetooth Device (Continued)

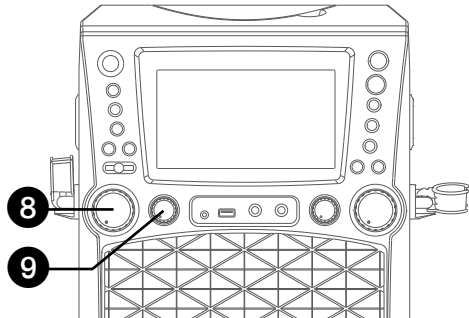


5 To control your Bluetooth device from this unit, press the **PLAY/PAUSE ►||/ENTER** button to start playback (music app must be open). Press the **PLAY/PAUSE ►||/ENTER** button during playback to pause the song.

6 Adjust the music to a comfortable level using the **MUSIC VOLUME** control on this unit as well as the volume on your Bluetooth device.

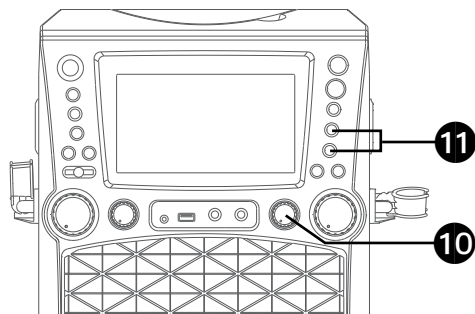


7 Connect microphone(s) and slide the **ON/OFF** switch on the microphone to the ON position.



8 Adjust the **MIC VOLUME** control as desired. Increasing this control will increase the volume of both microphones.

9 Rotate the **ECHO** control to add an echo effect to your voice. Rotate towards **MAX** to increase the echo effect.

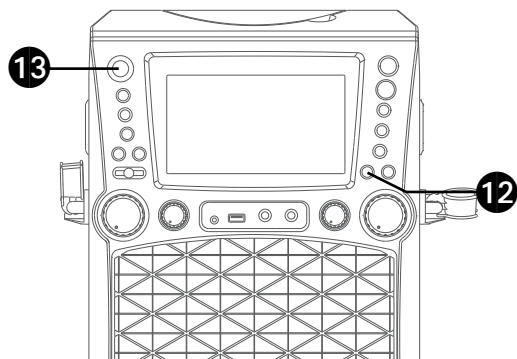


10 Adjust the balance between the speakers using the **BALANCE** control.

11 **SKIP:** Advance or go back one track by pressing the **SKIP ◀/▲** or **SKIP ▶/▼** buttons.

Operation

Using a Bluetooth Device (Continued)

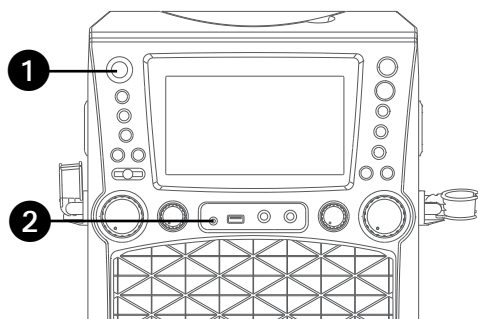


12 RECORDING YOUR SINGING: Insert USB drive and press the **RECORD** button. Recording will begin and "Recording" will flash on top left of screen. Press **RECORD** button again to stop recording.

13 Press the **ON/STANDBY** button to turn the unit off.

Operation

Using the LINE IN Jack

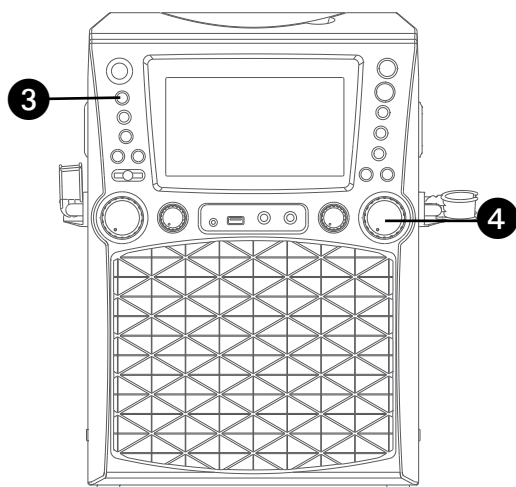


1 Connect the unit as described previously. Press the **ON/STANDBY** button to turn the unit on.

2 Connect the external unit to the LINE IN Jack on the front of this unit. Connecting an external unit will allow the audio to be played through your Singing Machine.

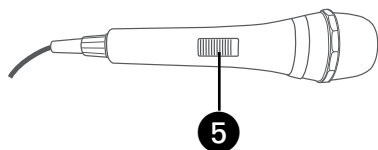
Notes:

- It is highly recommended to set the volume on the auxiliary unit to 1/3 or lower to avoid distortion.
- Skipping files/tracks is not possible on this unit when using an external device.



3 Repeatedly press the **FUNCTION** button to select the Line In; "LINE IN" will appear on the screen.

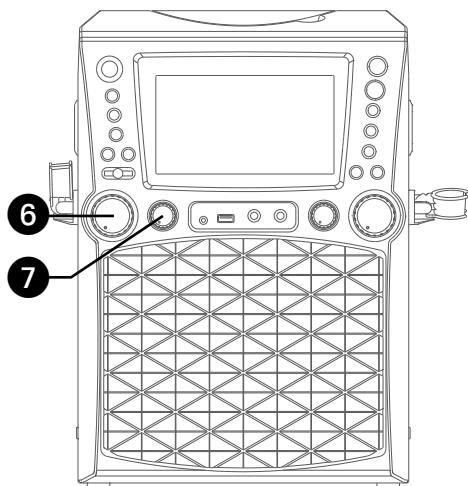
4 Adjust the music to a comfortable level using the **MUSIC VOLUME** control on this unit or your external device's volume control.



5 Connect microphone(s) and slide the ON/OFF switch on the microphone to the ON position.

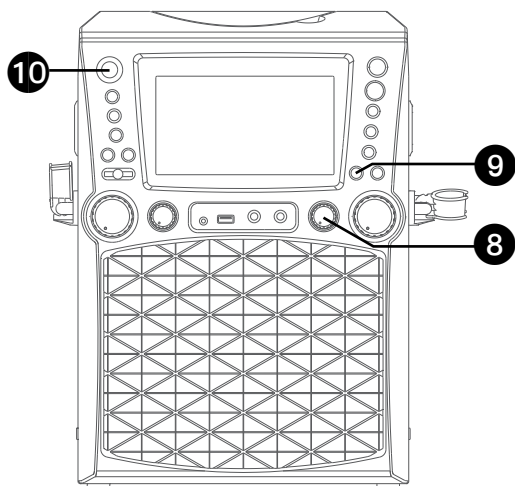
Operation

Using the LINE IN Jack (Continued)



6 Adjust the **MIC VOLUME** control as desired. Increasing this control will increase the volume of both microphones.

7 Rotate the **ECHO** control to add an echo effect to your voice. Rotate towards **MAX** to increase the echo effect.



8 Adjust the balance between the speakers using the **BALANCE** control.

9 RECORDING YOUR SINGING: Insert USB drive and press the **RECORD** button. Recording will begin and “Recording” will flash on top left of screen. Press **RECORD** button again to stop recording.

10 Press the **ON/STANDBY** button to turn the unit off.

Operation

Where to Download MP3+G Files

Helpful Hints:

The .mp3 and .cdg files are delivered for download in a single, compressed MP3+G.zip file. The MP3+G file cannot be played as a .zip file on a USB flash drive.

To play karaoke songs using a USB flash drive, the MP3+G .zip file must be unzipped as follows:

- Connect a USB flash drive to your computer.
- Download the MP3+G file from your Digital Locker and save the .zip* file to a folder on your computer.
- Double click the .zip file to open the .zip (you will see the .mp3 and .cdg files).
- Drag and drop the .mp3 and .cdg files to the USB flash drive.
- Remove (eject) the USB flash drive from your computer.

Turn on the Singing Machine and connect the USB flash drive.

To purchase and download karaoke music, please visit <http://store.singingmachine.com> to access over 13,000+ of your favorite karaoke songs. You will need a USB flash drive (not included) to transfer the downloads to this unit.

Follow these easy steps:

- 1 Go to <http://store.singingmachine.com> using your internet browser, and then register.
- 2 Select and purchase your favorite karaoke music from the Singing Machine Download Store.
- 3 Download your selected purchase(s) from the Singing Machine Digital Locker to your USB flash drive.
- 4 Insert the USB flash drive as shown on page E11 and enjoy!

Note: Your downloaded songs can also be burned to a blank CDR/CDRW.

FAQ

- Where can I get additional help with the file formats?

Visit <http://singingmachine.com/smc-music/> to get additional resources about the right type of FILE FORMAT for your system.

The screenshot shows the Singing Machine website's music store. At the top, there's a navigation bar with the Singing Machine logo and a search bar. Below the navigation bar, the main content area is titled "BROWSE ALL" and features a section for "FEATURED PACKS SONGS ARTISTS". Underneath, there's a "FEATURED PACKS" section with the tagline "Amazing song collections at the Best Value!". This section displays six featured packs: "GREATEST LOVE SONGS", "KARAOKE HITS", "CLASSIC ROCK", "ROCK ANTHEMS", "MOTOWN CLASSICS", and "TOTALLY BOY". Each pack has a cover image, a title, and a price. Below the featured packs, there are three promotional banners: "NOW OPTIMIZED FOR TABLETS AND MOBILE", "FREE SONGS", and "SONG PACKS". At the bottom of the page, there are three tabs: "RECENT RELEASES", "TOP SONGS", and "TOP ARTISTS".

Troubleshooting Guide

Should this unit exhibit a problem, check the following before seeking service:

No Power

- Power is not on; press the **ON/STANDBY** button to turn power on.
- Confirm that the AC adapter is connected securely to the back of the unit.
- Connect the unit to a different outlet.

No Sound – General

- Music Volume is set to minimum; raise volume.
- Correct Function was not selected; select using the **FUNCTION** button.
- If using an external device, raise the volume.

No Sound – If connected to a TV

- Volume on the TV is muted or too low.
- Correct source (usually AV) was not selected on the TV's menu.


No sound from the microphone

- Make sure the microphone is firmly connected to the MIC 1 or MIC 2 jack.
- Make sure the mic's **ON/OFF** switch is set to the ON position.
- Make sure the **MIC VOLUME** control is not set too low.

File(s) on USB jack not playing

- The file is corrupted; replace the file.
- The file is not in a format this unit will play.
- The connected USB device is not supported by the product.

The Bluetooth device cannot be paired or connected with the unit

- Ensure any other Bluetooth devices are turned off to avoid accidental pairing.
- You have not activated the Bluetooth function of your device; see page E15 or refer to the Bluetooth device user's manual.
- The system is not in pairing mode; press the  button to restart pairing.

The Music is not available on the unit after successfully connecting the Bluetooth

- Ensure your Bluetooth device can support the A2DP Bluetooth profile.
- The volume on the external Bluetooth device is set too low or muted; raise as desired.

The unit will not record

- No USB device inserted, or USB device is full. Move all recordings to your computer to make room.

Specifications

AUDIO

Output Power	20 Watts (RMS)
Output Impedance.....	4 Ohms

CD SECTION

Frequency Response.....	100Hz - 20kHz
Signal-to-Noise Ratio	50dB (A-WTD)
Number of Programs.....	20 Step Random Access Programming
Sampling System	8 Times Over Sampling

BLUETOOTH

Bluetooth Version	V5.0
Working Distance.....	Up to 30 feet/10 meters measured in open space

USB

Format.....	FAT32
Maximum Compatibility	32GB

GENERAL



Power	DC15V 2A Positive Center
Dimensions - Main Unit.....	13.0 x 9.7 x 16.4 inches (33.0 x 24.7 x 41.7cm)
Weight - Main Unit.....	7.3Lbs (3.3kgs)
Microphone.....	-74 dB 600 Ohms impedance with 6.3 mm Dynamic Microphone
Aux In.....	3.5mm Stereo Jack

Specifications are subject to change without notice.



The Bluetooth® word mark and logos are registered trademarks owned by Bluetooth SIG, Inc. and any use of such marks and logos by The Singing Machine Company, Inc. is under license. Other trademarks and trade names are those of their respective owners.

Mises en Garde

	MISE EN GARDE RISQUE DE CHOC ÉLECTRIQUE NE PAS OUVRIR	
MISE EN GARDE: AFIN DE RÉDUIRE LE RISQUE D'ÉLECTROCUTION, NE PAS RETIRER LE COUVERCLE (OU LE DOS DU BOÎTIER). AUCUNE PIÈCE POUVANT ÊTRE RÉPARÉE PAR L'UTILISATEUR NE SE TROUVE À L'INTÉRIEUR. POUR TOUTE RÉPARATION, CONTACTER UN TECHNICIEN COMPÉTENT. La mention Mise en garde se trouve sur le panneau inférieur.		



TENSION DANGEREUSE: Le symbole de l'éclair dans un triangle équilatéral a pour but d'avertir l'utilisateur du danger présenté par des pièces non isolées à l'intérieur de l'appareil, dont la tension est suffisante pour provoquer des décharges électriques dangereuses.



ATTENTION: Le point d'exclamation à l'intérieur d'un triangle équilatéral a pour but d'avertir l'utilisateur de la présence de consignes importantes sur le fonctionnement et l'entretien (réparation) de l'appareil dans la documentation accompagnant ce produit.

AVERTISSEMENT D'ÉGOUTTEMENT: Ce produit ne doit pas être exposé à l'égouttement ni aux éclaboussures et aucun objet rempli de liquide, tel qu'un vase, ne doit être placé sur le produit.

AVERTISSEMENT D'AÉRATION: L'aération normale du produit ne doit pas être entravée pour l'usage prévu.

Ce produit est conforme aux règles 21 CF, chapitre 1 du ministère de la santé et des services sociaux, sous-chapitre J applicable à partir de la date de fabrication

Mise en garde:

- Ce lecteur de CD est muni d'un faisceau de lumière au laser. Seul un technicien qualifié devrait retirer le couvercle et tenter toute réparation ou entretien sur cet appareil afin d'éviter tout risque de blessure aux yeux.
- L'utilisation de commandes, de réglages ou de procédures autre que ceux spécifiés dans le présent document peut causer un risque d'exposition aux radiations.
- Cet appareil doit être utilisé dans un endroit aéré.

ATTENTION!

Vous risquez d'être exposé à un rayonnement laser dangereux et invisible en ouvrant ce produit et en désactivant ou rendant inopérant le dispositif de verrouillage. Évitez toute exposition directe au faisceau.

MISE EN GARDE: AFIN D'ÉVITER TOUT RISQUE D'ÉLECTROCUTION, JUMELER LA LARGE BROCHE DE LA FICHE À LA FENTE LA PLUS LARGE ET L'INSÉRER COMPLÈTEMENT.

MISE EN GARDE DE LA FCC: Cet appareil peut générer ou utiliser des fréquences radio. Les modifications ou changements peuvent causer des interférences nuisibles, à moins que ces modifications ne soient approuvées expressément dans ce mode d'emploi. L'utilisateur pourrait perdre l'autorité de faire fonctionner cet équipement en cas de modification non autorisée.

Cet appareil répond aux exigences de l'alinéa 15 des réglementations FCC. Son utilisation est soumise aux deux conditions suivantes : 1) Cet appareil ne peut pas causer d'interférence nuisible et 2) Cet appareil doit accepter toute interférence reçue, incluant les interférences qui pourraient affecter son fonctionnement.

REMARQUE: Suite aux tests effectués, il est établi que cet appareil numérique de Classe B répond aux exigences de l'alinéa 15 des réglementations FCC. Ces normes sont élaborées pour vous protéger contre toute interférence nuisible en installation résidentielle. Cet appareil génère, utilise et peut émettre des fréquences radio. Par conséquent, s'il n'est pas installé et utilisé en suivant les instructions, il peut causer des interférences nuisibles aux communications radio. Cependant, aucune garantie n'est donnée concernant la possibilité d'interférence avec une installation spécifique. Si une interférence se produisait en réception radio et/ou de télédiffusion, lors de l'activation et la désactivation de l'appareil, nous vous recommandons :

- Réorientez ou déplacez l'antenne de réception.
- Éloignez l'appareil du récepteur.
- Branchez l'appareil à une prise de courant différente de celle utilisée par le récepteur.
- En cas de problème, contactez le vendeur ou un technicien spécialisé en réception radio/TV.

Le régime nominal est indiqué dans la partie inférieure de l'appareil.

Vous risquez d'être exposé à un rayonnement laser dangereux et invisible en ouvrant ce produit et en désactivant ou rendant inopérant le dispositif de verrouillage. Évitez toute exposition directe au faisceau.

L'émetteur/récepteur exempt de licence contenu dans le présent appareil est conforme aux CNR d'Innovation, Sciences et Développement économique Canada applicables aux appareils radio exempts de licence. L'exploitation est autorisée aux deux conditions suivantes :

- (1) L'appareil ne doit pas produire de brouillage;
- (2) L'appareil doit accepter tout brouillage radioélectrique subi, même si le brouillage est susceptible d'en compromettre le fonctionnement.

CAN ICES-3(B)/NMB-3(B)

Renseignements Importants de Sécurité

1. Lisez ces instructions.
2. Conservez ces instructions.
3. Respectez toutes les mises en garde.
4. Suivez toutes les consignes.
5. N'utilisez pas cet appareil à proximité de l'eau.
6. Nettoyez l'appareil uniquement avec un chiffon sec.
7. Ne bloquez pas les ouvertures d'aération. Installez conformément selon les consignes du fabricant.
8. N'installez pas à proximité de sources de chaleur telles que les radiateurs, registres d'air chaud, cuisinières, ou autres appareils (notamment des amplificateurs) produisant de la chaleur.
9. Ne nuisez pas à la fonction de sécurité de la fiche polarisée ou de mise à la terre. Une fiche polarisée est dotée de deux broches dont l'une est plus large que l'autre. Une fiche de mise à la terre est dotée de deux broches et d'une troisième broche de mise à la terre. La broche la plus large ou la troisième broche est conçue pour votre sécurité. Lorsque la broche fournie ne convient pas à la prise, consultez un électricien afin de remplacer la prise défectueuse.
10. Protégez le cordon d'alimentation afin que personne ne marche dessus ou le pince, particulièrement au niveau des broches, de la prise et du point où ils sortent de l'appareil.
11. Utilisez seulement les accessoires spécifiés par le fabricant.

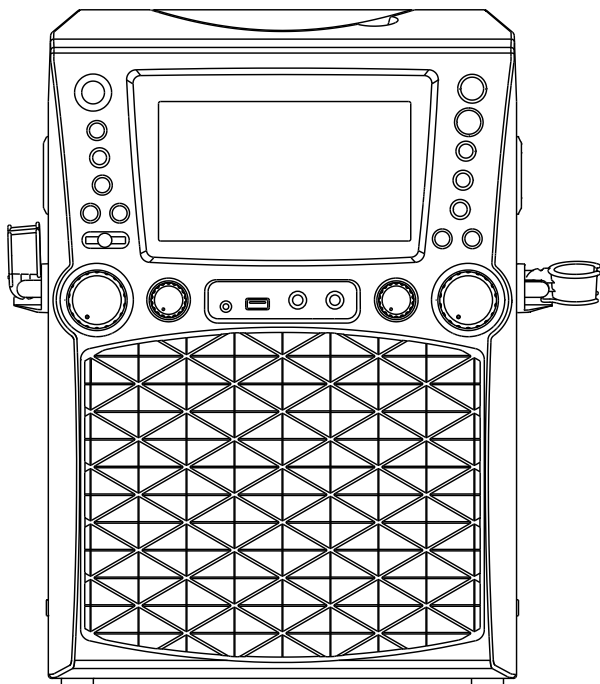
12. Utilisez seulement avec un chariot, une sellette, un trépied, un support ou une table. Lorsqu'un chariot est utilisé, prenez garde de ne pas déplacer la combinaison chariot/appareil pour éviter toute blessure causée par un renversement.
13. Débranchez cet appareil durant un orage ou lorsqu'il n'est pas utilisé pendant de longues périodes.
14. Confiez toutes les réparations à un technicien compétent. La réparation s'avère nécessaire lorsque l'appareil a été endommagé, par exemple, si le cordon d'alimentation ou la fiche a été endommagé, du liquide a été renversé ou des objets sont tombés dans l'appareil, ou si l'appareil a été exposé à la pluie ou à l'humidité, ne fonctionne pas normalement, ou a été échappé.
15. **AVERTISSEMENT :** Pour réduire le risque d'électrocution, évitez d'exposer l'appareil à la pluie ou à l'humidité. Ne déposez pas d'objets remplis d'eau, tels qu'un vase, sur l'appareil.
16. La fiche de secteur c.a. est utilisée pour débrancher l'appareil et doit être facilement accessible et utilisable durant l'usage prévu. Afin de couper complètement l'alimentation de l'appareil, la fiche de secteur doit être complètement débranchée de la prise c.a.
17. **MISE EN GARDE :** Afin de réduire le risque d'incendie ou d'explosion, n'exposez pas les piles à une source de chaleur excessive telle que le soleil, le feu ou autre.

AVERTISSEMENT RELATIF AU CHARIOT PORTATIF
(Symbol fourni par RETAC)

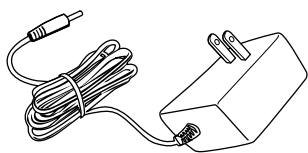


Contenu

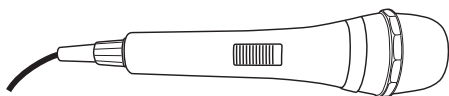
Vérifiez si tous les articles suivants sont compris.



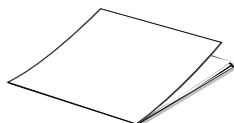
Unité Principal



Adaptateur CA



Microphone avec cable

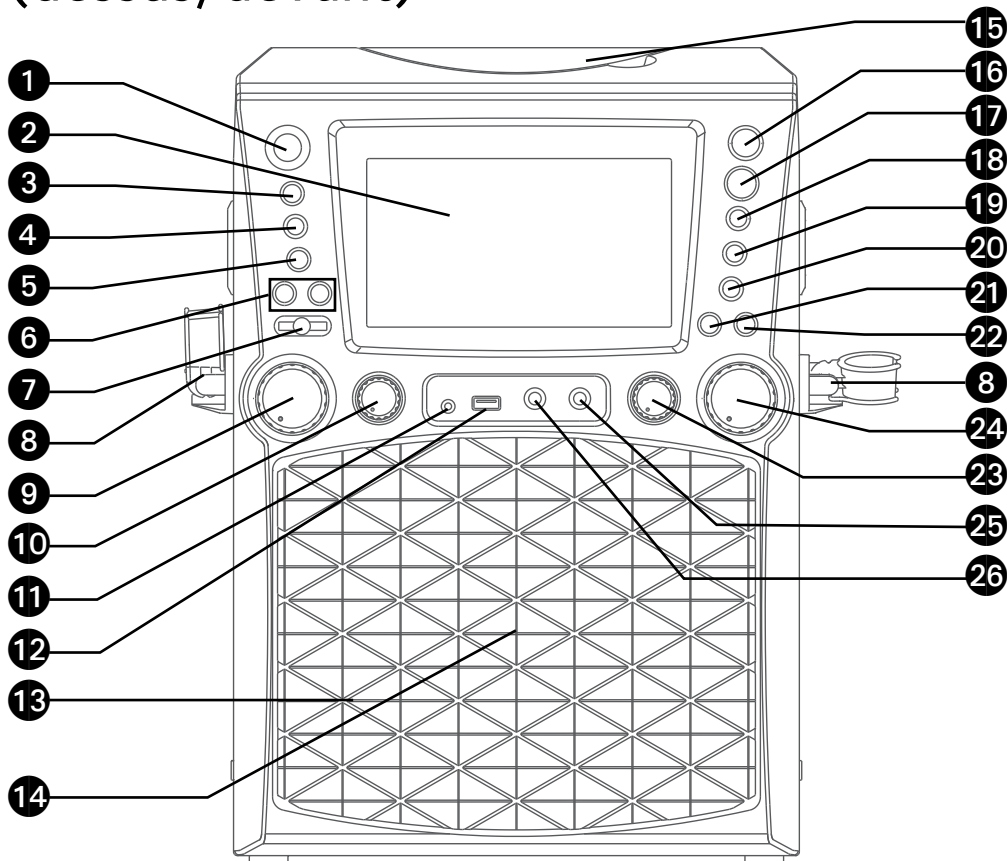


Mode D'Emploi



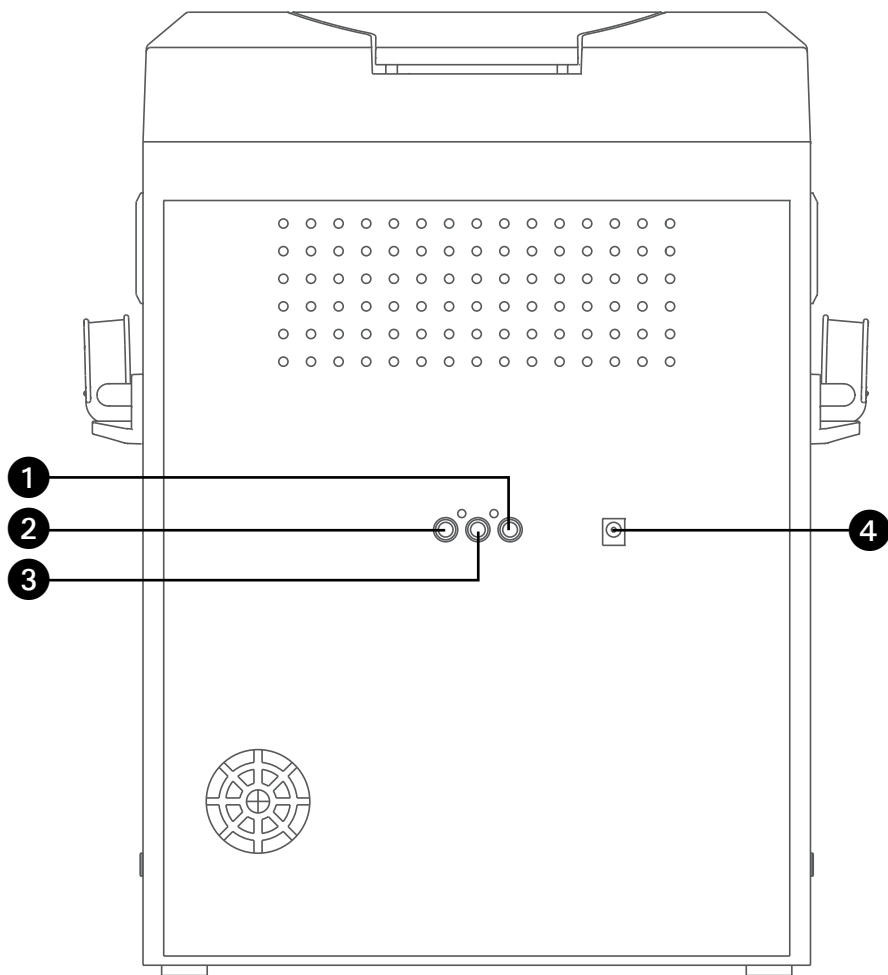
Câble Audio/Vidéo

Emplacement des commandes (dessus/devant)



- | | | |
|--|--|---|
| 1. Touche MARCHÉ/VEILLE (ON/STANDBY) | 7. GRADATEUR pour LUMIÈRES (LIGHTS) | 18. Touche Arrêt ■ (STOP) |
| 2. Écran | 8. Support de micro | 19. Touche ◀/▲ Passer |
| 3. Touche FONCTION (FUNCTION) | 9. Réglage MIC VOLUME | 20. Touche ▶/▼ Passer |
| 4. Touche MONITEUR MARCHÉ/ARRÊT (ON/OFF) | 10. Réglage ECHO | 21. Touche ENREGISTREMENT (RECORD) |
| 5. CONTRÔLE AUTOMATIQUE DE LA VOIX (AUTO VOICE CONTROL) Touche MARCHÉ/ARRÊT (ON/OFF) | 11. Prise d'entrée LINE IN | 22. Touche PROGRAMME/RÉPÉTER (PROGRAM/REPEAT) |
| 6. Touches CLÉ - (◀)/+ (▶) | 12. Port USB | 23. Réglage BALANCE |
| | 13. Lumières Disco | 24. Régulateur du volume pour la musique |
| | 14. Haut-parleur | 25. Prise MIC 2 |
| | 15. Compartiment de CD | 26. Prise MIC 1 |
| | 16. Touche JUMELAGE (PAIR) | |
| | 17. Touche Lire (Play)/Pause /ENTRÉE (ENTER) | |

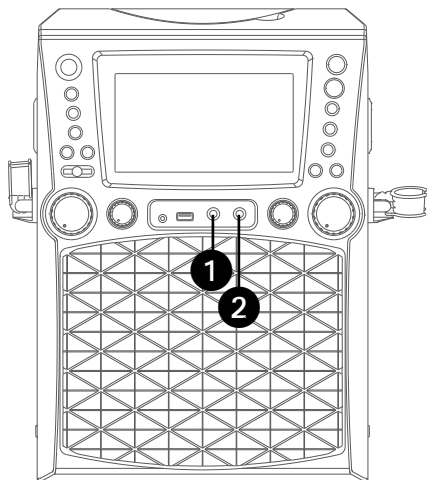
Emplacement des commandes (arrière)



1. Prise AUDIO OUT (gauche)
2. Prise VIDÉO OUT
3. Prise AUDIO OUT (droit)
4. Prise DC IN

Branchement

Connexion des microphones

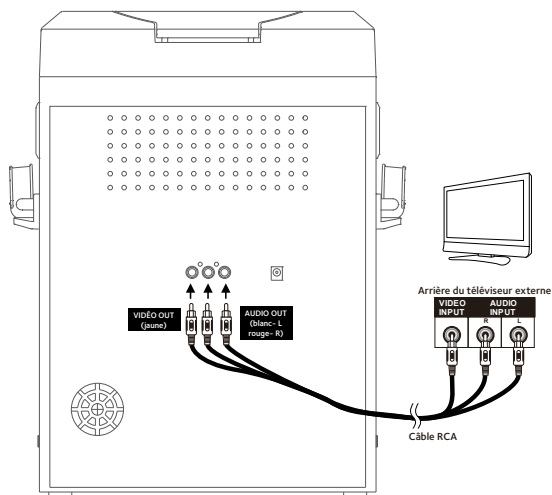


Microphones:

Connectez le microphone à une prise MIC 1 **1** et à une prise MIC 2 **2** (lorsque souhaité) Situé sur le côté de l'appareil.

Remarque: Ne pas échapper le microphone car cela peut causer des dommages ainsi qu'aux haut-parleurs. Ne pas faire virevolter le microphone par la cordon car cela peut endommager le câblage encastré.

Connexion de l'unité à un téléviseur



Pour sortir des données vidéo, des paroles de chansons et le son de votre téléviseur, veuillez suivre les étapes suivantes :

Connectez le câble vidéo RCA (jaune) à la prise VIDÉO OUT et les câbles audio (blanc et rouge) aux prises AUDIO OUT situés à l'arrière du Singing Machine.

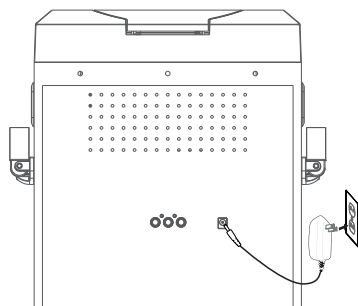
Connectez l'autre extrémité du câble vidéo RCA (jaune) à la prise VIDÉO IN et les câbles audio (blanc et rouge) aux prises AUDIO IN situés sur votre téléviseur.

Remarques:

- Cet appareil peut être utilisé avec ou sans un téléviseur.
- Référez-vous également au guide de l'utilisateur de votre téléviseur.
- Pour voir les paroles sur l'écran, vous devez utiliser un disque CD + G ou fichiers MP3 +G.
- Les câbles audio/vidéo sont inclus.

Branchement

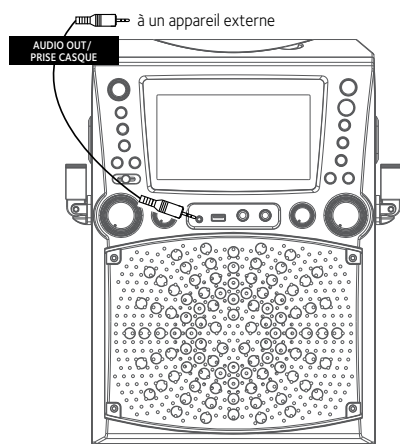
Raccordement à l'alimentation CA



Connectez la petite extrémité de l'adaptateur CA à la Prise DC IN située à l'arrière de l'appareil. Connectez l'autre extrémité (avec les 2 lames) à une prise de courant CA (120V CA, 60 Hz) située à proximité.

Remarque: Effectuer toutes les connexions avant de brancher le cordon d'alimentation.

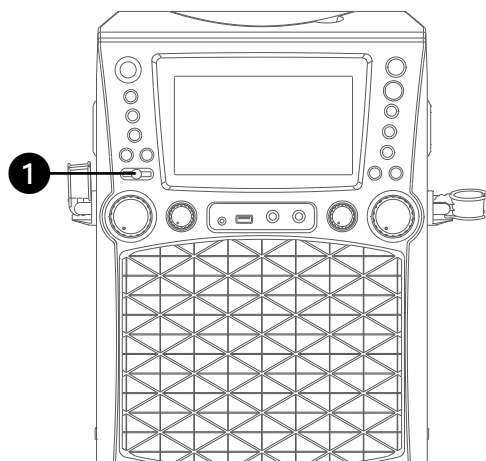
Connexion à une prise LINE IN



Raccordez simplement votre appareil externe en utilisant un câble audio approprié (câble audio 3,5 mm non inclus) tel qu'illustré.

Remarque: Voir la page F18 pour sélectionner et utiliser la fonction LINE IN.

Mode Lumière



1 Pour des effets de lumières, utiliser le bouton **LUMIÈRES** de la fonction OFF au mode désiré.

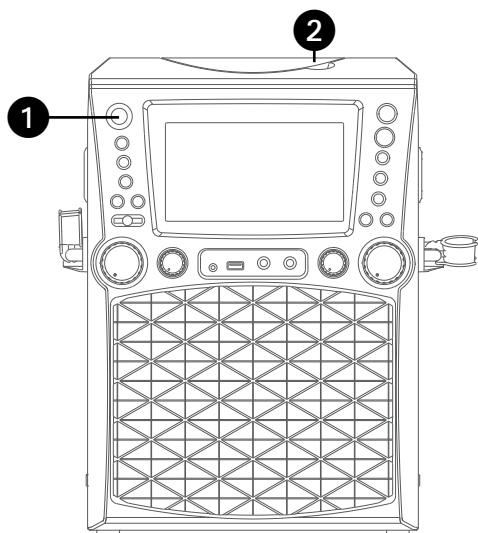
MODE 1 : L'appareil se synchronise avec la musique en cours de lecture ou la performance vocale en direct.

MODE 2 : La lumière restera solide sans pulsions avec le microphone.

OFF : arrêter les effets lumineux.

Utilisation

Lecture d'un CDG

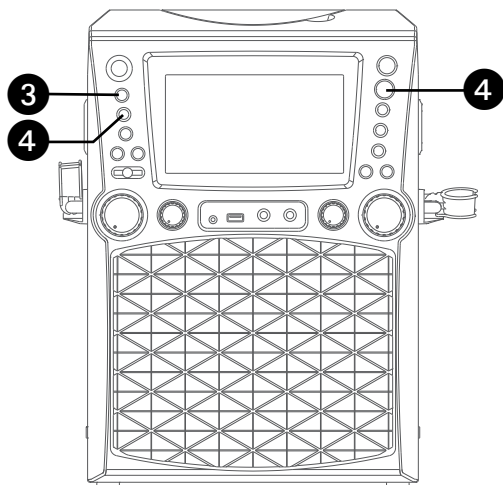


1 Raccordez l'appareil de la manière décrite précédemment. Appuyez sur la touche **MARCHE/VEILLE (ON/STANDBY)** pour allumer l'appareil.

2 Soulevez la porte de CD et insérez un CD (fichiers standards ou MP3+G) ou un CD+G en appuyant doucement sur l'axe central. Fermez ensuite la porte du CD.

Remarques:

- **Qu'est-ce que le CD+G?**
A CD+G (CD graphiques) est le format standard pour la plupart des disques de karaoké qui affichent les paroles à l'écran.
- **Qu'est-ce qu'un MP3+G ?**
Le fichier MP3+G est un nouveau format de fichier de musique karaoké utilisant des fichiers MP3 de petite taille. Il affichera les paroles à l'écran.
- Ne placer aucun objet autre qu'un CD dans le compartiment car les objets étrangers peuvent endommager l'appareil.
- Si aucun disque n'est inséré, la mention « AUCUN DISQUE » s'affiche à l'écran.
- Si connecté à un téléviseur ou à une autre source audio, réglez le volume du téléviseur en utilisant sa propre commande de volume.

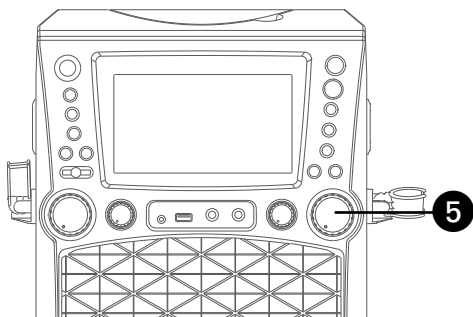


3 Appuyez plusieurs fois sur la touche **FONCTION (FUNCTION)** pour sélectionner le mode CDG/CD; la mention « LIRE » (READ) s'affiche lors de la recherche sur le disque et ensuite, le nombre de pistes s'affichera.

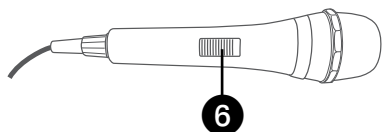
4 Appuyez sur la touche **LIRE (PLAY)/ PAUSE /ENTRÉE (ENTER)** pour débiter la lecture. Lors de l'écoute d'un fichier CD+G, appuyez sur la touche **MONITEUR MARCHE/ARRÊT (MONITOR ON/OFF)** pour visionner l'image et les paroles à l'écran.

Utilisation

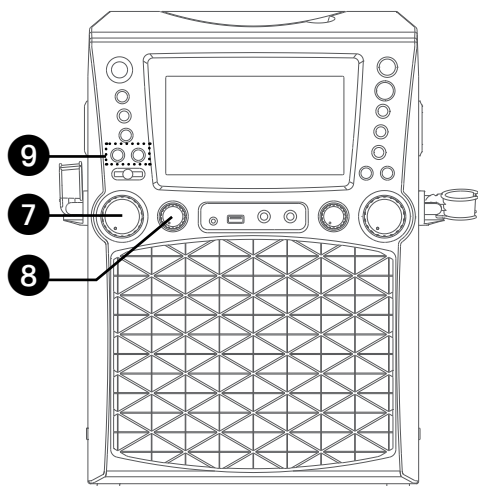
Lecture d'un CDG (suite)



- 5 Ajuster la musique a un niveau sonore confortable en utilisant le régulateur de volume.



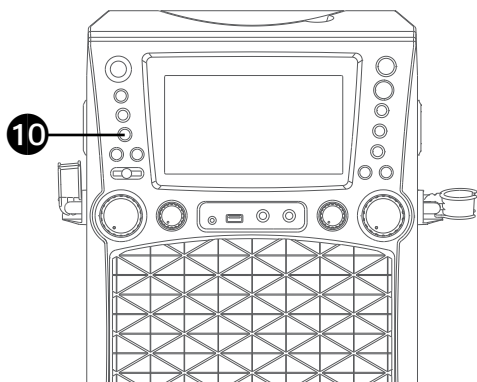
- 6 Connectez le ou les micro(s), puis glissez l'interrupteur **MARCHE/ARRÊT (ON/OFF)** à la position MARCHE.



- 7 Réglez le **volume du microphone (MIC VOLUME)** au niveau souhaité. Le fait de croître ce réglage augmente le volume des deux microphones.
- 8 Réglez la commande **ÉCHO (ECHO)** pour appliquer un effet d'écho à votre voix. Tourner dans le sens horaire pour augmenter l'effet écho.
- 9 Ajustez la clé à partir des touches **CLÉ (KEY) + (▶)** ou **CLÉ (KEY) - (◀)** pour obtenir la meilleur clé pour le chanteur.

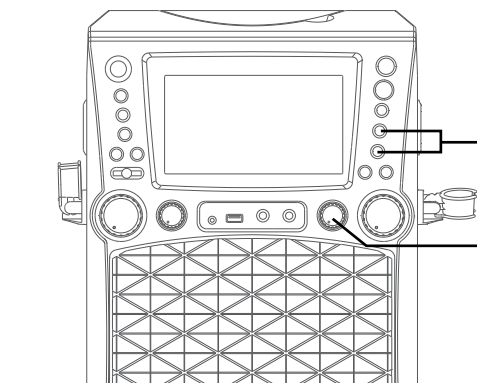
Utilisation

Lecture d'un CDG (suite)



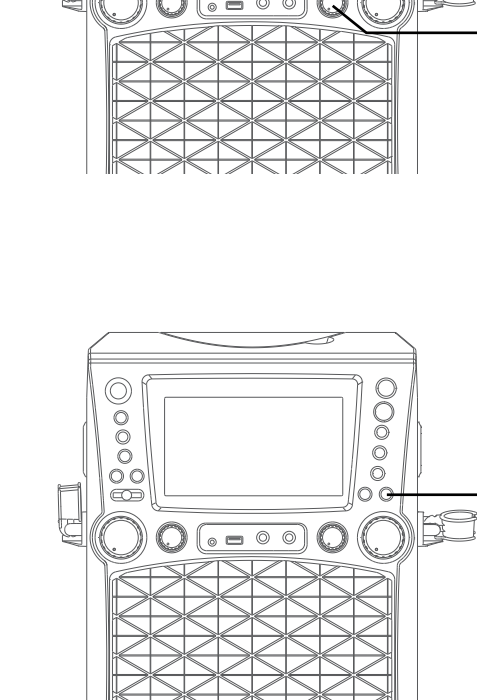
- 10** L'option **CONTRÔLE AUTOMATIQUE DE LA VOIX** peut être activé en appuyant la touche **MARCHÉ/ARRÊT Contrôle de voix automatique (AUTO VOICE CONTROL)**. Les chants de l'enregistrement multiplex sont coupés dès que vous commencez à chanter dans le micro. Lorsque le chanteur arrête de chanter, les voix enregistrés sur l'enregistrement multiplex se nivelleront en mode normal.

Remarque : Ceci est seulement pour les fichiers enregistrés avec l'option multiplex.



- 11** Faire pivoter la commande **BALANCE** dans le sens horaire pour écouter les voix enregistrés ou dans le sens antihoraire pour écouter seulement la musique à partir de l'enregistrement multiplex.

Remarque : Pour utiliser la commande **BALANCE**, le disque CD+G doit être utilisé ou il fonctionnera comme un contrôle standard **BALANCE**.



- 12** **PASSER :** Avancer ou retourner d'une piste à l'autre en appuyant sur les touches de **PASSER** **⏪/▲** ou **PASSER** **⏩/▼**.

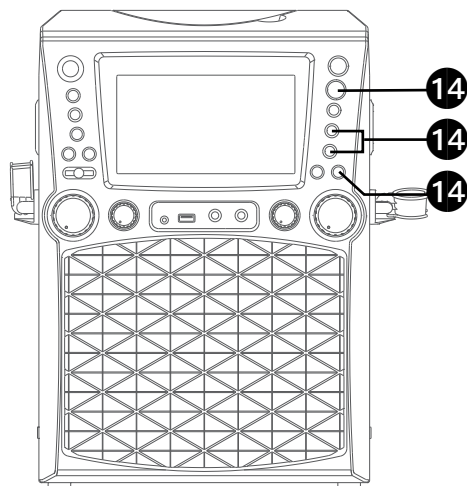
RECHERCHE : Lors de la lecture de tout CD audio, appuyez et maintenez la touche **PASSER** **⏪/▲** ou **PASSER** **⏩/▼**. Le CD recherche dans les directions avancé ou de recul à une haute vitesse. La lecture normale se poursuit lorsque vous relâchez la touche.

Remarque : La fonction **RECHERCHE** n'est compatible qu'avec les disques CD et non les disques CD+G.

- 13** **RÉPÉTER :** Au cours de la lecture, appuyez sur la touche **PROGRAMME/RÉPÉTER (PROGRAM/REPEAT)**, le symbole **↺1** s'affiche à l'écran et la piste courante est répétée. Pour répéter toutes les pistes, appuyez sur la touche **PROGRAMME/RÉPÉTER (PROGRAM/REPEAT)** un autre fois et le symbole **↺A** s'affiche à l'écran. Appuyez de nouveau pour répéter la fonctionnalité, le symbole **↺X** s'affiche à l'écran.

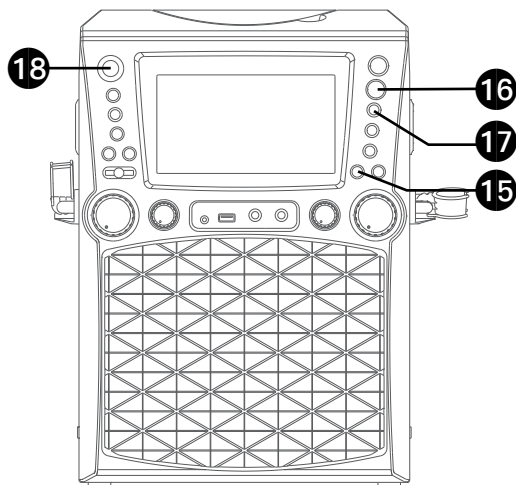
Utilisation

Lecture d'un CDG (suite)



- 14 PROGRAMME :** Vous pouvez programmer jusqu'à 20 pistes pour la lecture dans tout ordre souhaité. En mode arrêt, appuyez sur la touche **PROGRAMME/RÉPÉTER (PROGRAM/REPEAT)**; PROG SET 01:XX (xx est le nombre total de pistes) s'affiche à l'écran. Sélectionnez la première piste à partir des touches **PASSER ◀/▲** ou **PASSER ▶/▼**, appuyez ensuite sur la touche **PROGRAMME/RÉPÉTER (PROGRAM/REPEAT)**. Répétez pour programmer un maximum de 20 pistes, si nécessaire. Lorsque terminé, appuyez sur la touche **LIRE (PLAY)/PAUSE ▶||/ENTRÉE (ENTER)** pour commencer la lecture.

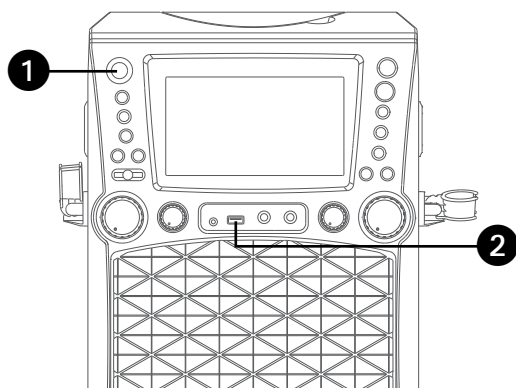
Remarque : Appuyez sur la touche **ARRÊT ■ (STOP)** DEUX FOIS pour arrêter et supprimer le programme.



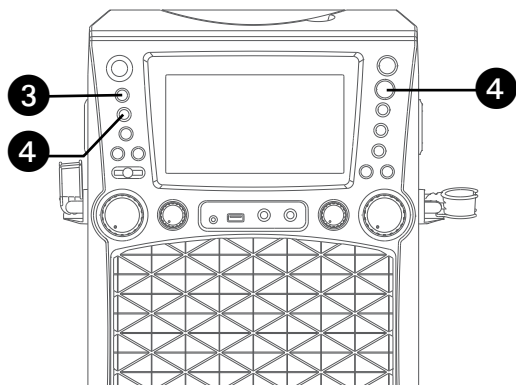
- 15 ENREGISTREMENT DE VOS CHANTS :** Insérez une clé USB dans un premier temps, appuyez ensuite sur la touche **ENREGISTREMENT (RECORD)**; la chanson recommencera et l'enregistrement débutera. ENR (REC) avec progression de la pièce en pourcentage s'affichera dans le coin supérieur gauche de l'écran. Pour arrêter l'enregistrement, appuyez à nouveau sur la touche **ENREGISTREMENT (RECORD)**.
- 16 PAUSE :** Durant la lecture, si vous désirez arrêter le disque momentanément, appuyez **LIRE (PLAY)/PAUSE ▶||/ENTRÉE (ENTER)**. Appuyez à nouveau pour reprendre la lecture normale.
- 17** Appuyez sur la touche **ARRÊT ■ (STOP)** pour arrêter l'enregistrement.
- 18** Appuyez sur la touche **MARCHE/VEILLE (ON/STANDBY)** pour éteindre l'appareil.

Utilisation

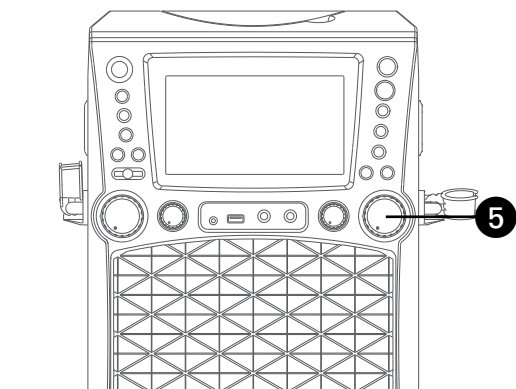
Lecture de chansons à partir de la clé USB



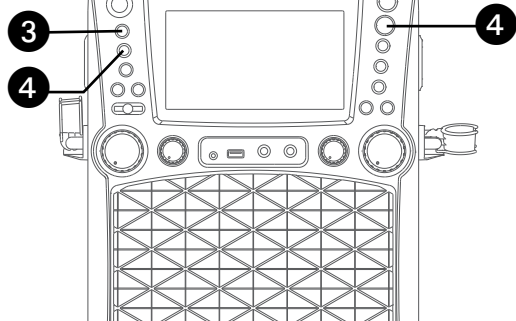
1 Raccordez l'appareil de la manière décrite précédemment. Appuyez sur la touche **MARCHE/VEILLE (ON/STANDBY)** pour allumer l'appareil.



2 Insérez une clé USB dans le port USB de l'appareil, face vers le haut. Assurez-vous de télécharger de la musique de la boutique Karaoké.

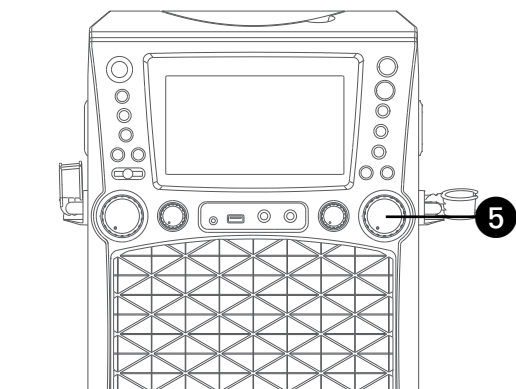


3 Appuyez plusieurs fois sur la touche **FONCTION (FUNCTION)** pour sélectionner le mode USB; la mention « LIRE USB » (READ USB) s'affiche lors de la recherche sur le disque et ensuite, le nombre de pistes s'affichera.



4 Appuyez sur la touche **LIRE (PLAY)/PAUSE ►||/ENTRÉE (ENTER)** pour débuter la lecture; si vous écoutez un fichier MP3+G, appuyez sur **MONITEUR MARCHE/ARRÊT (MONITOR ON/OFF)** pour visionner l'image et les paroles à l'écran.

Remarque : À l'écran, les dossiers contenant des enregistrements et des chansons s'affichent à gauche et la liste des pièces du dossier sélectionné s'affiche à droite.

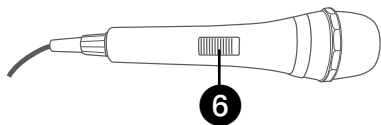


5 Ajuster la musique à un niveau sonore confortable en utilisant le régulateur de volume.

Remarque : Si connecté à un téléviseur ou à une autre source audio, réglez le volume du téléviseur en utilisant sa propre commande de volume.

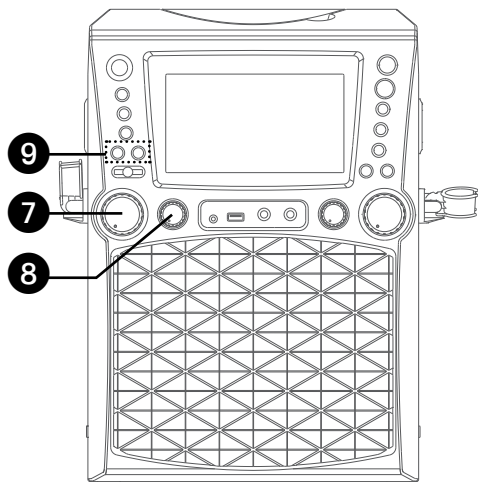
Utilisation

Lecture de chansons à partir de la clé USB (suite)



6 Connectez le ou les micro(s), puis glissez l'interrupteur **MARCHE/ARRÊT (ON/OFF)** à la position MARCHE.

7 Réglez le **volume du microphone (MIC VOLUME)** au niveau souhaité. Le fait de croître ce réglage augmente le volume des deux microphones.

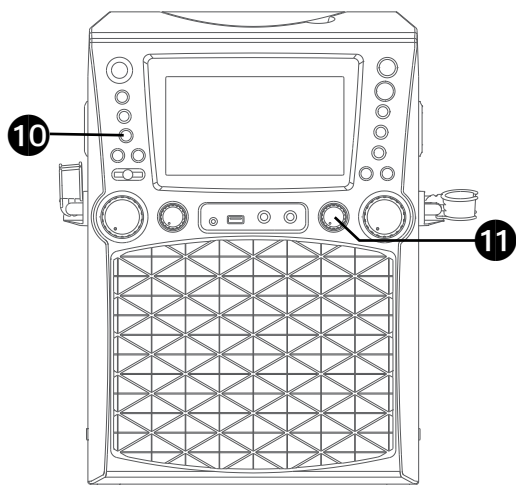


8 Réglez la commande **ÉCHO (ECHO)** pour appliquer un effet d'écho à votre voix. Tourner dans le sens horaire pour augmenter l'effet écho.

9 Ajustez la clé à partir des touches **CLÉ (KEY) +/▶** ou **CLÉ (KEY) -/◀** pour obtenir la meilleure clé pour le chanteur.

10 L'option **CONTRÔLE AUTOMATIQUE DE LA VOIX** peut être activé en appuyant la touche **MARCHE/ARRÊT Contrôle de voix automatique (AUTO VOICE CONTROL)**. Les chants de l'enregistrement multiplex sont coupés dès que vous commencez à chanter dans le micro. Lorsque le chanteur arrête de chanter, les voix enregistrés sur l'enregistrement multiplex se nivelleront en mode normal.

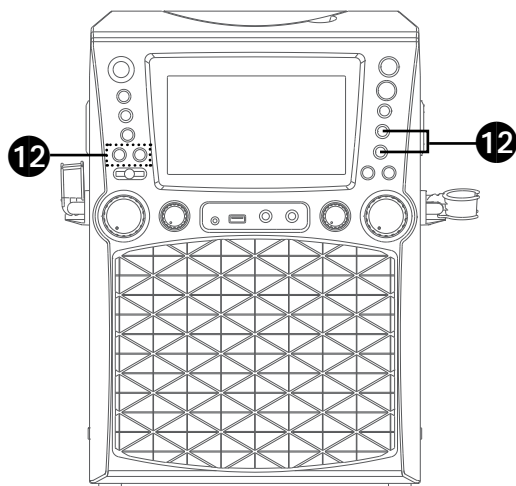
Remarque : Ceci est seulement pour les fichiers enregistrés avec l'option multiplex.



11 Tournez la commande **BALANCE** dans le sens des aiguilles d'une montre pour écouter la musique et les voix enregistrées ou dans le sens contraire pour écouter seulement la musique d'un enregistrement multiplex.

Utilisation

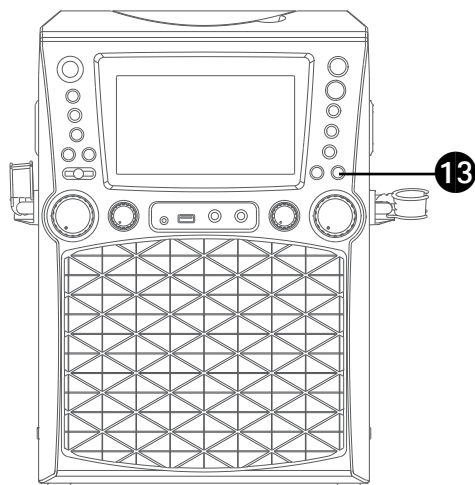
Lecture de chansons à partir de la clé USB (suite)







12 PASSER : Avancer ou retourner d'une piste à l'autre en appuyant sur les **PASSER** ◀/▲ ou **PASSER** ▶/▼.

RECHERCHE : Lors de la lecture de tout CD audio sur votre clé USB, appuyez et maintenez les touches **PASSER** ◀/▲ ou **PASSER** ▶/▼. Le clé USB recherche dans les directions avancé ou de recul à une haute vitesse. La lecture normale se poursuit lorsque vous relâchez la touche.

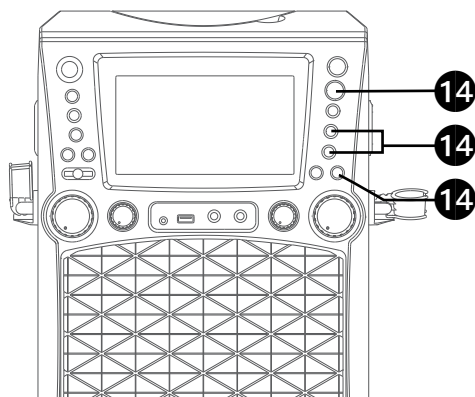
Au cours du mode **ARRÊT (STOP)**, vous pouvez également sélectionner un fichier à partir des touches **PASSER** ◀/▲ ou **PASSER** ▶/▼ pour faire défiler en haut/bas et/ou les touches **CLÉ (KEY)** +/▶ ou **CLÉ (KEY)** -/◀ pour faire défiler à gauche/droite. La musique enregistrée sera dans le dossier ENR (REC).



13 RÉPÉTER (REPEAT) : Pour répéter la piste actuelle, appuyez sur la touche **RÉPÉTER/PROGRAMME (REPEAT/PROGRAM)** une fois au cours de la lecture,  s'affiche à l'écran et la piste courante sera répétée. Appuyez sur la touche **RÉPÉTER/PROGRAMME (REPEAT/PROGRAM)** deux fois,  s'affichera et toutes les pistes MP3 à l'intérieur du dossier se répéteront en continu. Pour répéter toutes les pistes, appuyez sur la touche **RÉPÉTER/PROGRAMME (REPEAT/PROGRAM)** un autre fois et  s'affiche à l'écran. Appuyez de nouveau pour répéter la fonctionnalité,  s'affiche à l'écran.

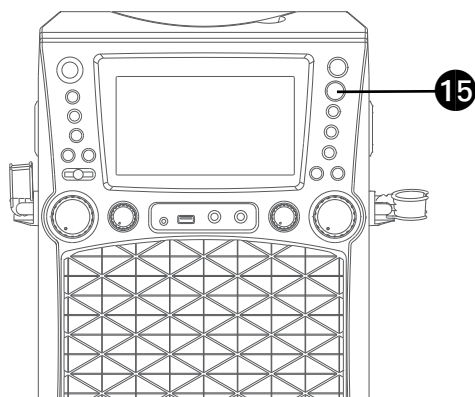
Utilisation

Lecture de chansons à partir de la clé USB (suite)

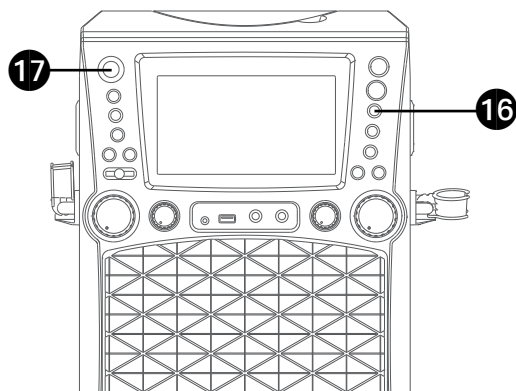


- 14 PROGRAMMATION :** Vous pouvez programmer jusqu'à 20 pistes pour la lecture dans tout ordre souhaité. En mode arrêt, appuyez sur la touche **PROGRAMME/RÉPÉTER (PROGRAM/REPEAT)**; PROG SET 01:XX (xx est le nombre total de pistes) s'affiche à l'écran. Sélectionnez la première piste à partir des touches **PASSER ◀/▲** ou **PASSER ▶/▼**, appuyez ensuite sur la touche **PROGRAMME/RÉPÉTER (PROGRAM/REPEAT)**. Répétez pour programmer un maximum de 20 pistes, si nécessaire. Lorsque terminé, appuyez sur la touche **LIRE (PLAY)/PAUSE ▶||/ENTRÉE** pour commencer la lecture.

Remarque : Appuyez sur la touche **ARRÊT ■ (STOP)** DEUX FOIS pour arrêter et supprimer le programme .



- 15 PAUSE :** Durant la lecture, si vous désirez arrêter le disque momentanément, appuyez **LIRE (PLAY)/PAUSE ▶||/ENTRÉE**. Appuyez à nouveau pour reprendre la lecture normale.



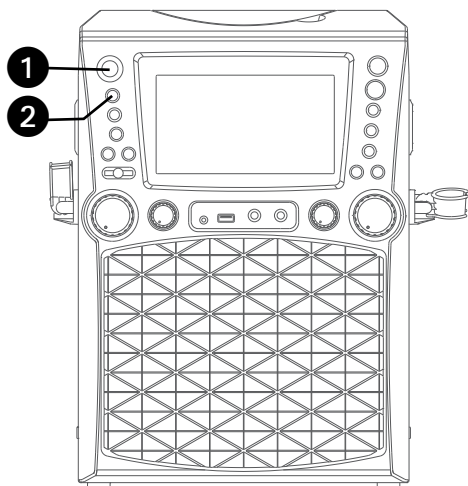
- 16** Appuyez sur la touche **ARRÊT ■ (STOP)** pour arrêter l'enregistrement.

- 17** Appuyez sur la touche **MARCHE/VEILLE (ON/STANDBY)** pour éteindre l'appareil.


Remarque : Vous ne pouvez pas enregistrer depuis l'USB.

Utilisation

Utilisation d'un appareil Bluetooth



- 1 Raccordez l'appareil de la manière décrite précédemment. Appuyez sur la touche **MARCHE/VEILLE (ON/STANDBY)** pour allumer l'appareil.
- 2 Appuyez plusieurs fois sur la touche **FONCTION (FUNCTION)** pour sélectionner l'option Bluetooth; la mention : « Bluetooth » s'affiche à l'écran. L'écran affiche que votre dispositif Bluetooth est prêt à être connecté par une notification sonore. S'il y a un dispositif Bluetooth jumelé précédemment, l'appareil se connectera automatiquement avec une notification sonore de jumelage. S'il n'y a eu aucun jumelage précédemment, connectez-vous tel qu'indiqué à la prochaine étape.

Remarque : Vous pouvez également appuyer  pour déconnecter tout appareil jumelé afin de le jumeler à un autre appareil.

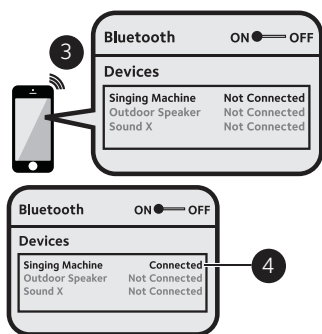
- 3 Activez l'option Bluetooth dans les paramètres de votre appareil pour rechercher un dispositif détectable avec un signal Bluetooth. Sélectionnez **"Singing Machine"** à partir des résultats dans le menu Bluetooth.

Remarque : Veuillez vous reporter au manuel d'utilisation de votre appareil Bluetooth pour obtenir des instructions détaillées.

- 4 L'écran affiche que votre dispositif Bluetooth est connecté par une notification sonore.

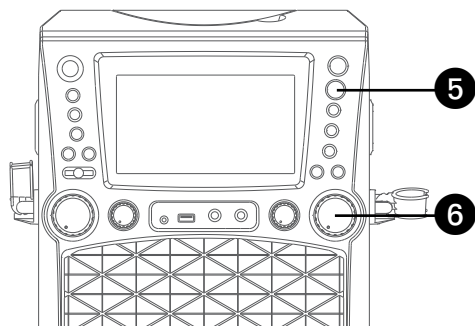
Remarques :

- Si votre dispositif Bluetooth vous demande d'inscrire un mot de passe au cours du processus de jumelage, veuillez inscrire "0000" pour vous connecter.
- Sur certains dispositifs Bluetooth, lorsque le jumelage est terminé, vous devez sélectionner l'appareil à l'aide de l'option « Utiliser comme périphérique audio » ou d'une option semblable.
- Si la connexion est perdue après un jumelage réussi, assurez-vous que la distance entre les haut-parleurs et le dispositif Bluetooth n'excède pas 30 pi/10 mètres.



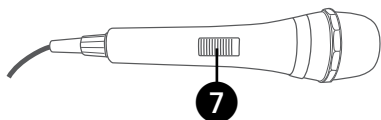
Utilisation

Utilisation d'un appareil Bluetooth (suite)



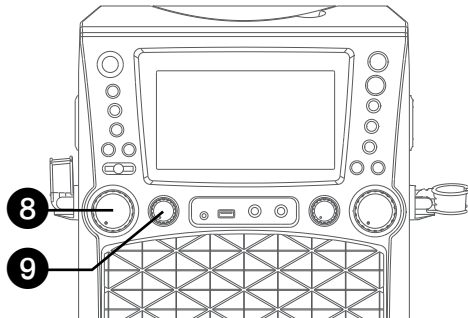
5 Pour contrôler le dispositif Bluetooth à partir de cet appareil, appuyez sur la touche **LIRE (PLAY)/PAUSE ►||** / **ENTRÉE** pour débuter la lecture (l'application de musique doit être allumée). Appuyez sur la touche **LIRE (PLAY)/PAUSE ►||** / **ENTRÉE** au cours de la lecture pour interrompre la chanson.

6 Ajuster la musique à un niveau sonore confortable en utilisant le régulateur de volume.



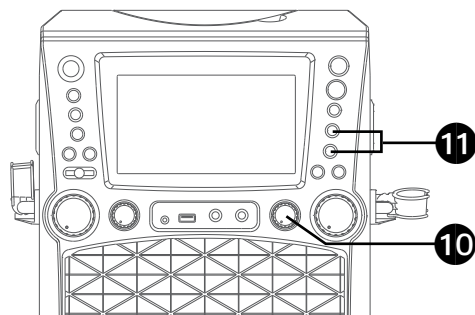
7 Connectez le ou les micro(s), puis glissez l'interrupteur **MARCHE/ARRÊT (ON/OFF)** à la position MARCHE.

8 Réglez le **volume du microphone (MIC VOLUME)** au niveau souhaité. Le fait de monter ce réglage augmente le volume du/des microphone(s) connecté(s).



9 Réglez la commande **ÉCHO (ECHO)** pour appliquer un effet d'écho à votre voix. Tourner vers la mention MAX pour augmenter l'effet écho.

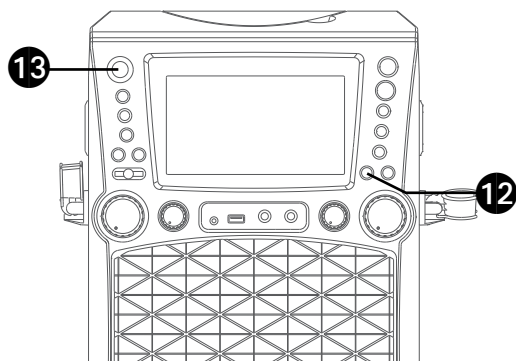
10 Ajustez la balance entre les hautparleurs en utilisant les commandes **BALANCE**.



11 **SAUT** : Avancer ou retourner d'une piste à l'autre en appuyant sur les touches **PASSER ◀◀/▲** ou **PASSER ▶▶/▼**.

Utilisation

Utilisation d'un appareil Bluetooth (suite)

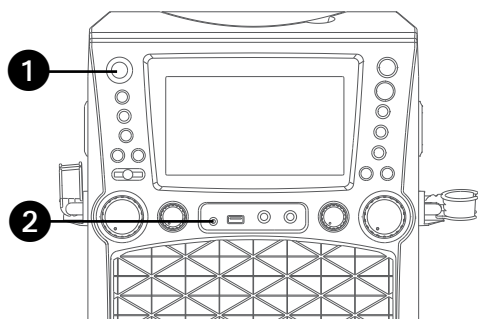


12 ENREGISTREMENT DE VOS CHANTS : Insérez la Clef USB and appuyez sur le bouton **ENREGISTRER**. L'enregistrement commencera et « Enregistrer » va flasher sur le cote gauche de l'écran. Appuyez sur **ENREGISTRER** une autre fois pour arrêter l'enregistrement.

13 Appuyez sur la touche **MARCHE/VEILLE (ON/STANDBY)** pour éteindre l'appareil.

Utilisation

En utilisant l'entrée LINE IN

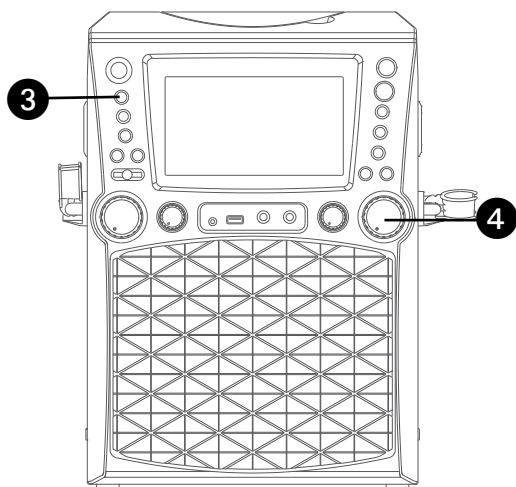


1 Raccordez l'appareil de la manière décrite précédemment. Appuyez sur la touche **MARCHE/VEILLE (ON/STANDBY)** pour allumer l'appareil.

2 Connectez l'appareil externe à la prise LINE IN située à l'avant de cet appareil. La connexion avec l'appareil externe permettra au son audio d'être en lecture sur le Singing Machine.

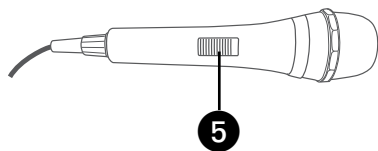
Remarques:

- Il est fortement recommandé de régler le volume de l'appareil auxiliaire à 1/3 du niveau ou plus bas pour éviter toute distorsion.
- Il n'est pas possible de passer des fichiers/pistes lorsque vous utilisez un appareil externe.



3 Appuyez sur la touche **FONCTION (FUNCTION)** pour sélectionner le mode LINE IN; la mention "LINE IN" s'affichera à l'écran.

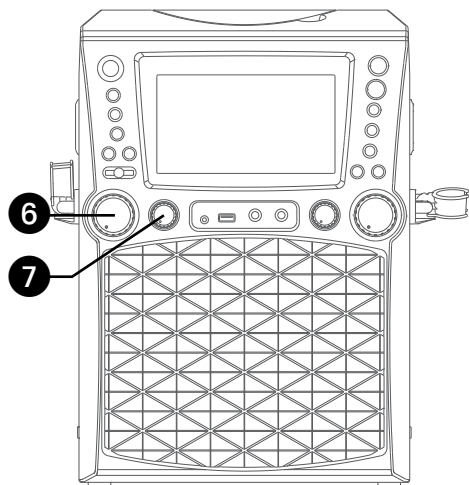
4 Ajuster la musique à un niveau sonore confortable en utilisant le régulateur de volume de cet appareil ou à partir de la commande de volume de votre dispositif externe.



5 Connectez le ou les micro(s), puis glissez l'interrupteur **MARCHE/ARRÊT (ON/OFF)** à la position MARCHE.

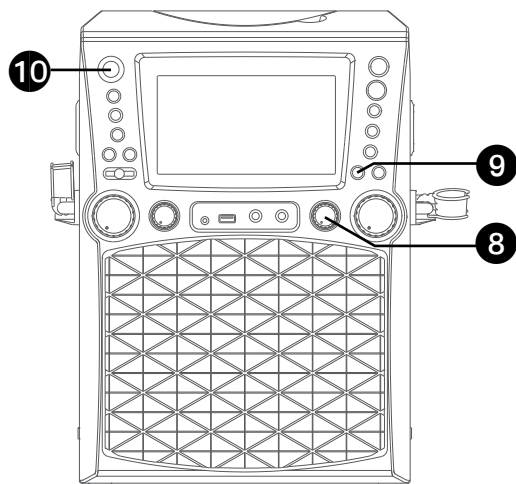
Utilisation

En utilisant l'entrée LINE IN (suite)



6 Réglez la commande **VOLUME MIC** au niveau souhaité. Le fait de monter ce réglage augmente le volume du micro.

7 Réglez la commande **ÉCHO (ECHO)** pour appliquer un effet d'écho à votre voix. Tourner vers la mention MAX pour augmenter l'effet écho.



8 Ajustez la balance entre les haut-parleurs en utilisant les commandes **BALANCE**.

9 **ENREGISTREMENT DE VOS CHANTS :** Insérez la Clef USB and appuyez sur le bouton **ENREGISTRER**. L'enregistrement commencera et « Enregistrer » va flasher sur le cote gauche de l'écran. Appuyez sur **ENREGISTRER** une autre fois pour arrêter l'enregistrement.

10 Appuyez sur la touche **MARCHÉ/VEILLE (ON/STANDBY)** pour éteindre l'appareil.

Utilisation

Où télécharger des fichiers MP3+G

Conseils pratiques :

Les fichiers .mp3 et .cdg sont fournis en téléchargement dans un seul fichier .zip MP3+G compressé. Il n'est pas possible d'effectuer la lecture du fichier MP3+G en tant que fichier .zip sur une mémoire flash USB. Pour effectuer la lecture de chansons de karaoké à l'aide d'une mémoire flash USB, le fichier .zip MP3+G doit être décompressé comme suit :

- Connectez une mémoire flash USB à votre ordinateur
- Téléchargez le fichier MP3+G à partir de votre section numérique Digital Locker et enregistrez le fichier.zip* dans un dossier de votre ordinateur
- Double-cliquez sur le fichier .zip pour l'ouvrir (vous pouvez voir les fichiers .mp3 et .cdg)
- Faites glisser les fichiers .mp3 et .cdg vers la mémoire flash USB
- Retirez (éjectez) la mémoire flash USB de votre ordinateur

Allumez le karaoké Singing Machine et connectez la mémoire flash USB.

Pour acheter ou télécharger des chansons de karaoké, veuillez s'il vous plaît, visiter le <http://store.singingmachine.com> pour accéder à plus de 13 000+ de vos chansons de karaoké favorites. Vous aurez besoin d'un disque USB flash (non inclus) pour transférer les téléchargements vers l'unité. Veuillez suivre les étapes simples:

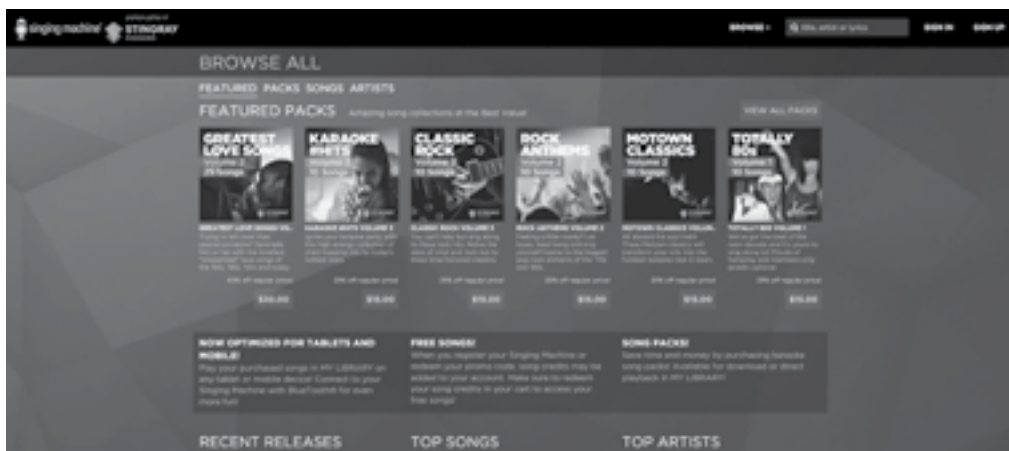
- 1 Rendez-vous au site <http://store.singingmachine.com> à partir de votre navigateur Internet et ensuite, enregistrez-vous.
- 2 Sélectionnez et achetez vos chansons de karaoké préférées à partir de la boutique Singing Machine Download.
- 3 Téléchargez vos achats sélectionnés à partir du casier Singing Machine Digital vers disque USB flash.
- 4 Insérez le lecteur USB flash comme démontré à la page F11 et amusez-vous!

Remarque: Vos chansons téléchargées peuvent aussi être gravées sur un disque compact (CDR-CDRW).

FAQ

- Où puis-je obtenir de l'aide supplémentaire concernant les formats de fichiers?

Lorsque vous êtes sur la page Internet de la boutique Singing Machine, simplement cliquer sur **format de fichiers (FILE FORMATS)** au bas à gauche.



Guide de dépannage

En cas de problème avec cet appareil, vérifiez les points suivants avant de le faire réparer :

Aucune alimentation

- L'appareil n'est pas sous tension; appuyez sur la touche **MARCHE/VEILLE (ON\STANDBY)** pour allumer l'appareil.
- Assurez-vous que l'adaptateur AC est bien connecté à l'arrière de l'appareil.
- Connectez l'appareil à un autre périphérique.

Aucun son - général

- Le régulateur du volume pour la musique est réglé au minimum ; augmentez le volume.
- La bonne fonction n'a pas été sélectionnée; sélectionnez à partir de la touche **FONCTION (FUNCTION)**.
- Si vous utilisez un dispositif externe, augmenter le volume.

Aucun son - si connecté à votre téléviseur

- Le volume du téléviseur est en mode silence ou trop faible.
- La source appropriée (habituellement AV) n'est pas sélectionnée dans le menu du téléviseur.


Aucun son provenant du microphone

- Assurez-vous que le microphone est connecté fermement à la prise MIC 1 ou MIC 2.
- Assurez-vous que le commutateur **MARCHE/ARRÊT (ON\OFF)** du microphone soit en position MARCHE.
- Assurez-vous que le niveau du **MIC VOLUME** n'est pas trop faible.
- Augmentez le contrôle Écho au-dessus du milieu.

Les fichiers sur la clé USB ne s'ouvrent pas

- Le fichier est corrompu; remplacez le fichier.
- Le fichier n'est pas dans un format de lecture compatible.
- Le dispositif USB n'est pas compatible à l'appareil.

L'appareil Bluetooth ne peut pas être jumelé ou connecté avec l'appareil

- Vous n'avez pas activé la fonction Bluetooth de votre appareil; consultez la page F15 ou reportez-vous au mode d'emploi de l'appareil Bluetooth.
- Le système n'est pas en mode de jumelage : appuyez sur la touche  pour redémarrer le jumelage.

La lecture musicale n'est pas disponible sur l'appareil après l'établissement de la connexion Bluetooth

- Assurez-vous que l'appareil Bluetooth est compatible avec le profil Bluetooth A2DP.
- Le volume du dispositif externe Bluetooth est en mode silence ou trop faible; augmenter le volume.

L'appareil n'enregistre pas

- Aucune clé USB n'est insérée, ou l'appareil USB est complet. Transférez tous les enregistrements sur votre ordinateur pour créer de l'espace.

Caractéristiques techniques

AUDIO

Alimentation de sortie.....	20 Watts (RMS)
Impédance de sortie	4 Ohms

SECTION DU LECTEUR DE CD

Réponse en fréquence	100Hz - 20kHz
Ratio du signal-bruit.....	50dB (A-WTD)
Nombre de programmes.....	20 étapes de programmation d'accès aléatoires
Système d'échantillonnage.....	8 fois sur échantillonnage

BLUETOOTH

Bluetooth Version	V5.0
Distance de travail	jusqu'à 30 pieds/10 mètres mesuré en espace ouvert

USB

Format.....	FAT32
Compatibilité maximale	32GB

GÉNÉRALITÉS

Alimentation	DC15V 2A Positive Center
Dimensions - appareil principal	13.0 x 9.7 x 16.4 inches (33.0 x 24.7 x 41.7cm)
Poids - appareil principal	7.3Lbs (3.3kgs)
Microphone.....	-74 dB 600 Ohms impédance avec microphone dynamique de 6,3 mm
Aux In.....	3,5mm prise stéréo

Caractéristiques sujettes à modifications sans préavis.



Le mot et le logo Bluetooth® sont des marques déposées de Bluetooth SIG, Inc. Leur utilisation par The Singing Machine Company est soumise à une licence. Toutes les autres marques sont la propriété de leurs détenteurs respectifs.

Visit Our Website: www.singingmachine.com
Visite nuestro sitio web: www.singingmachine.com
Visitez notre site Web : www.singingmachine.com

Copyright © 2019 All Rights Reserved.
Copyright © 2019 Todos los derechos reservados.
Droit d'auteur © 2019 Tous Droits Réservés.

The Singing Machine Company, Inc.
4060 E Jurupa Street, Unit B
Ontario, CA 91761-1413 USA

The Responsible Party

Company Name : The Singing Machine Company, Inc.

Address : 6301 NW 5th Way, Suite 2900, Fort Lauderdale,
FL33309, USA

Telephone : 954 -596-1000

Website : www.singingmachine.com

PRINTED IN CHINA
IMPRESO EN CHINA
IMPRIMÉ EN CHINE
885-1906-ESF02-US