

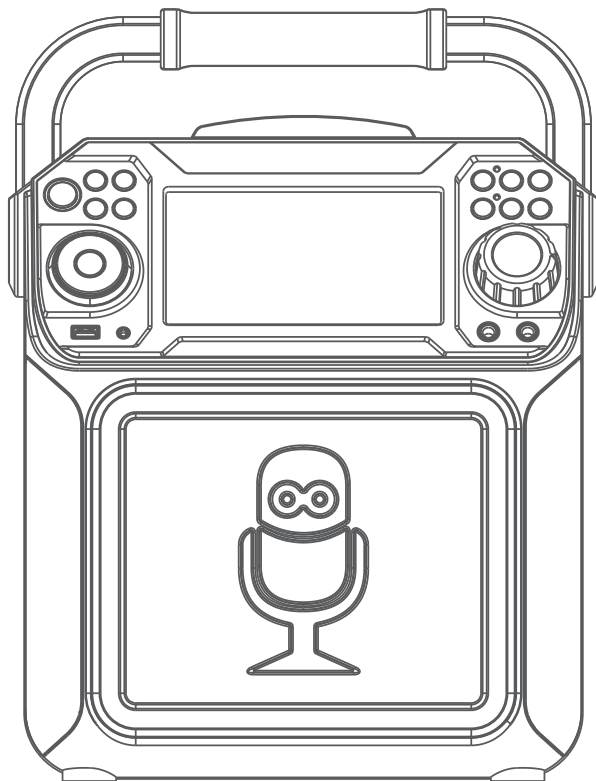


singing machine®

creating Joy through music™

STVG782BK/STVG782W

INSTRUCTION MANUAL/MANUAL DE INSTRUCCIONES
/MODE D'EMPLOI





www.singingmachine.com

The Singing Machine® is a registered trademark of The Singing Machine Co., Inc.

The Singing Machine® es marca registrada de The Singing Machine Co., Inc.

The Singing Machine® est une marque déposée de The Singing Machine Co., Inc.

Warnings

	CAUTION RISK OF ELECTRIC SHOCK DO NOT OPEN	
CAUTION: TO REDUCE THE RISK OF ELECTRIC SHOCK, DO NOT REMOVE COVER (OR BACK). NO USER-SERVICEABLE PARTS INSIDE. REFER SERVICING TO QUALIFIED SERVICE PERSONNEL. The Caution marking is located on the bottom panel.		



DANGEROUS VOLTAGE: The lightning flash with arrowhead symbol within an equilateral triangle is intended to alert the user to the presence of uninsulated dangerous voltage within the product's enclosure that may be of sufficient magnitude to constitute a risk of electric shock to persons.



ATTENTION: The exclamation point within an equilateral triangle is intended to alert the user to the presence of important operating and maintenance (servicing) instructions in the literature accompanying this product.

DRIPPING WARNING: This product shall not be exposed to dripping or splashing, and no objects filled with liquids, such as vases, shall be placed on the product.

VENTILATION WARNING: The normal ventilation of the product shall not be impeded for intended use.

THIS PRODUCT COMPLIES WITH DHHS RULES 21 CFR CHAPTER 1, SUBCHAPTER J APPLICABLE AT DATE OF MANUFACTURED.

Warnings:

- This CD player employs a laser light beam. Only a qualified service person should remove the cover or attempt to service this device, due to possible eye injury.
- The use of controls, adjustments, or procedures other than those specified herein might result in hazardous radiation exposure.
- The apparatus shall be used in an open area.

CAUTION!

Invisible laser radiation when open and interlocks defeated. Avoid exposure to beam.

WARNING: TO PREVENT FIRE OR SHOCK HAZARD, DO NOT EXPOSE THIS UNIT TO RAIN OR MOISTURE.

FCC WARNING: This equipment may generate or use radio frequency energy. Changes or modifications to this equipment may cause harmful interference unless the modifications are expressly approved in the instruction manual. The user could lose the authority to operate this equipment if an unauthorized change or modification is made.

This device complies with part 15 of the FCC Rules. Operation is subject to the following two conditions: (1) This device may not cause harmful interference, and (2) this device must accept any interference received, including interference that may cause undesired operation.

NOTE: This equipment has been tested and found to comply with the limits for a Class B digital device, pursuant to part 15 of the FCC Rules. These limits are designed to provide reasonable protection against harmful interference in a residential installation. This equipment generates, uses and can radiate radio frequency energy and, if not installed and used in accordance with the instructions, may cause harmful interference to radio communications. However, there is no guarantee that interference will not occur in a particular installation. If this equipment does cause harmful interference to radio or television reception, which can be determined by turning the equipment off and on, the user is encouraged to try to correct the interference by one or more of the following measures:

- Reorient or relocate the receiving antenna.
- Increase the separation between the equipment and receiver.
- Connect the equipment into an outlet on a circuit different from that to which the receiver is connected.
- Consult the dealer or an experienced radio/TV technician for help.
- The rating information is located at the bottom of the unit.

INDUSTRY CANADA NOTICE:

This device complies with Industry Canada license-exempt RSS standard(s). Operation is subject to the following two conditions:

1. This device may not cause interference, and
2. This device must accept any interference, including interference that may cause undesired operation of the device.

CAN ICES-3(B)/NMB-3(B)

Important Safety Information

1. Read these Instructions.
2. Keep these Instructions.
3. Heed all Warnings.
4. Follow all Instructions.
5. Do not use this apparatus near water.
6. Clean only with a dry cloth.
7. Do not block any of the ventilation openings. Install in accordance with the Manufacturer's instructions.
8. Do not install near any heat sources such as radiators, heat registers, stoves, or other apparatus (including amplifiers) that produce heat.
9. Do not defeat the safety purpose of the polarized or grounding-type plug. A polarized plug has two blades with one wider than the other. A grounding type plug has two blades and a third grounding prong. The wide blade or the third prong are provided for your safety. When the provided plug does not fit into your outlet, consult an electrician for replacement of the obsolete outlet.
10. Protect the power cord from being walked on or pinched particularly at plugs, convenience receptacles, and the point where they exit from the apparatus.
11. Only use attachments/accessories specified by the manufacturer.

12. Use only with a cart, stand, tripod, bracket, or table specified by the manufacturer, or sold with the apparatus. When a cart is used, use caution when moving the cart/apparatus combination to avoid injury from tip-over.
13. Unplug this apparatus during lightning storms or when unused for long periods of time.
14. Refer all servicing to qualified service personnel. Servicing is required when the apparatus has been damaged in any way, such as power-supply cord or plug is damaged, liquid has been spilled or objects have fallen into the apparatus, the apparatus has been exposed to rain or moisture, does not operate normally, or has been dropped.
15. **WARNING:** To reduce the risk of fire or electric shock, do not expose this apparatus to rain or moisture. Do not place objects filled with water, such as a vase, on the apparatus.
16. The AC mains plug is used as the power disconnect device and it should remain readily accessible and operable during intended use. In order to completely disconnect the apparatus from power, the mains plug should be completely removed from the AC outlet socket.
17. **CAUTION:** To reduce the risk of fire or explosion, do not expose batteries to excessive heat such as sunshine, fire or other heat sources.

PORTABLE CART WARNING
(symbol provided by RETAC)

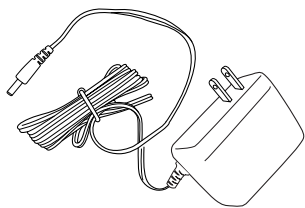


Included

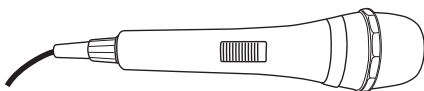
Please make sure that the following items are included.



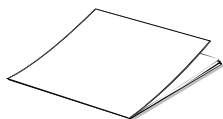
Main Unit



AC Adapter



Wired Microphone

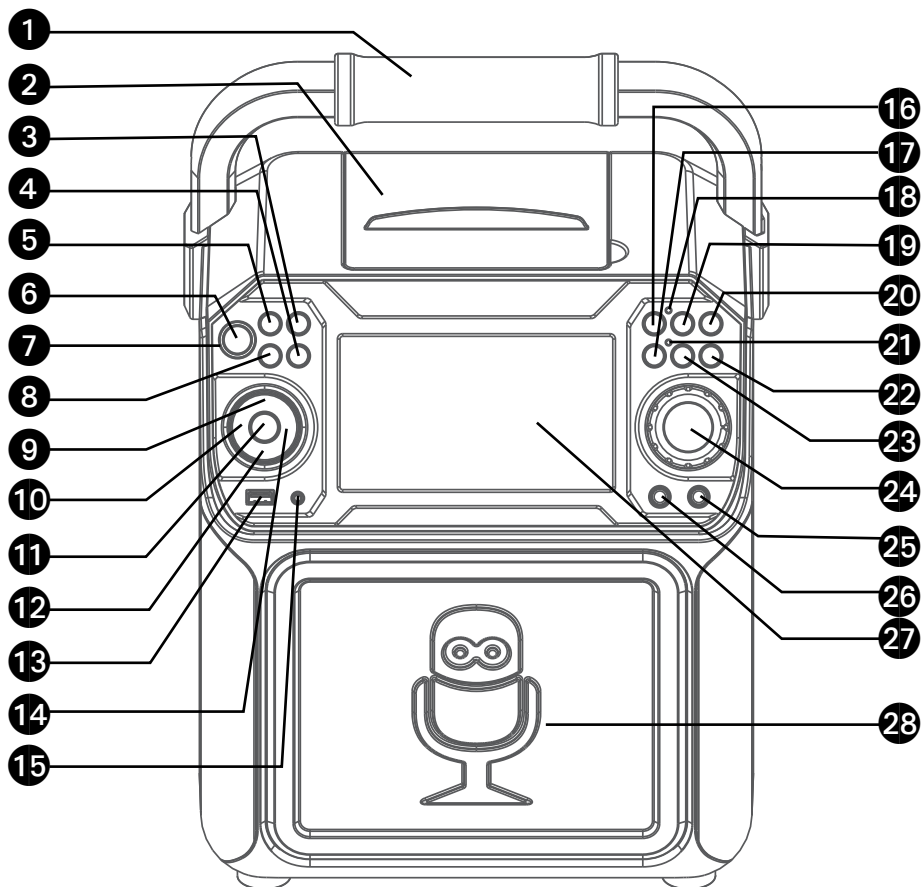


Manual



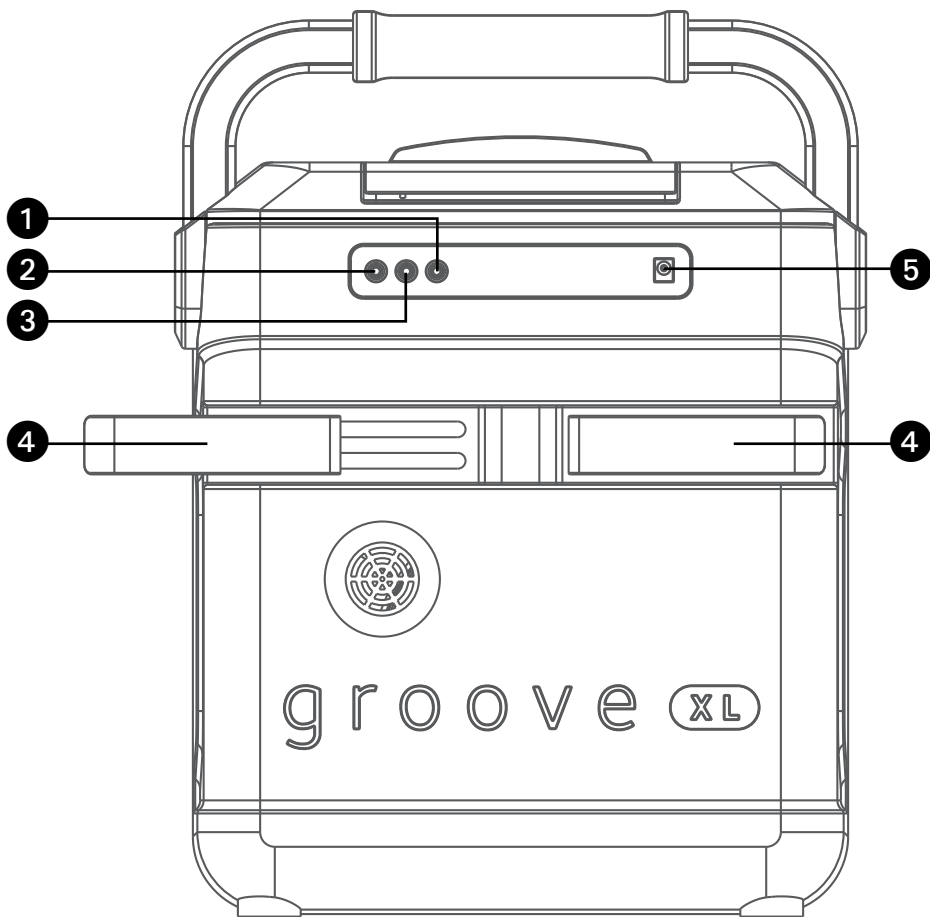
Audio/Video Cables

Location of Controls (Top/Front)



- | | | |
|---|---|--|
| 1. Handle | 11. PLAY/PAUSE ▶▶ Button | 21. Bluetooth indicator |
| 2. CD Compartment | 12. Navigation ∨ Button | 22. MIC VOLUME ∨ Button |
| 3. LIGHT Button | 13. USB Port | 23. A.V.C. (Auto Voice Control) button |
| 4. REPEAT/PROG Button | 14. Navigation > /Skip > Button | 24. MASTER VOLUME Control |
| 5. FUNCTION Button | 15. AUX IN Jack | 25. MIC 2 Jack |
| 6. ON/OFF Button | 16. RECORD Button | 26. MIC 1 Jack |
| 7. Power indicator | 17. Bluetooth button | 27. Screen |
| 8. MONITOR ON/OFF Button | 18. Record indicator | 28. Speaker |
| 9. Navigation ^ Button | 19. VOICE EFFECT Button | |
| 10. Navigation < /Skip < Button | 20. MIC VOLUME ^ Button | |

Location of Controls (Rear)

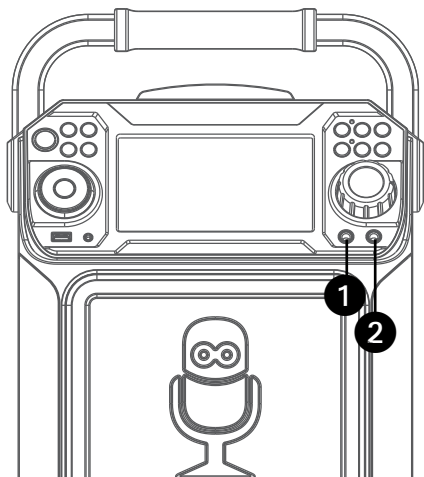


- 1. AUDIO OUT Left Jack
- 2. VIDEO OUT Jack
- 3. AUDIO OUT Right Jack

- 4. Extendable MIC holders
- 5. DC IN Jack

Connection

Connecting the Microphone(s)

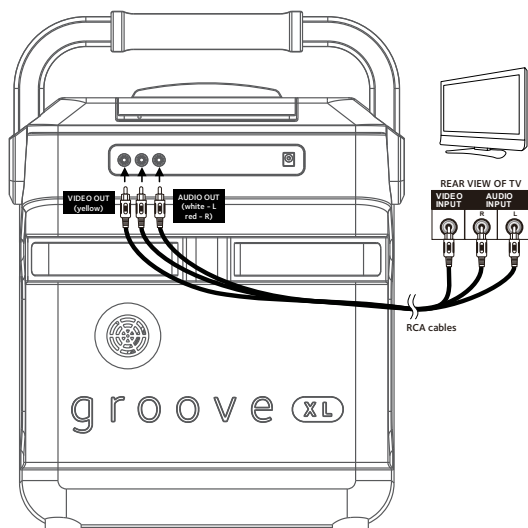


Microphones:

Connect a microphone into Mic jack 1 **1** as well as Mic jack 2 **2** (when desired).

Note: Do not drop or tap the Mic as damage to the Mic or speakers may occur. Do not twirl the microphone cord as it will cause damage to the encased wiring.

Connecting the Unit to a TV



To output the video, lyrics and audio to your TV, perform the following steps:

Connect the RCA video cable (Yellow) to the VIDEO OUT jack and the audio cables (White and Red) to the AUDIO OUT jacks located on the back of the Singing Machine.

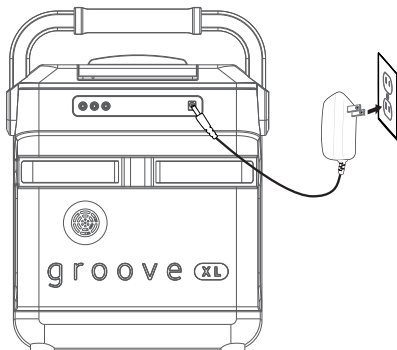
Connect the opposite end of the RCA video cable (Yellow) to the VIDEO IN jack and the audio cables (White and Red) to the AUDIO IN on your TV.

Notes:

- This unit can be used with or without a TV.
- Also refer to the TV's User Guide.
- To see the lyrics on the screen, you must use a CD+G disc or MP3+G files.
- Audio/Video cables are included.

Connection

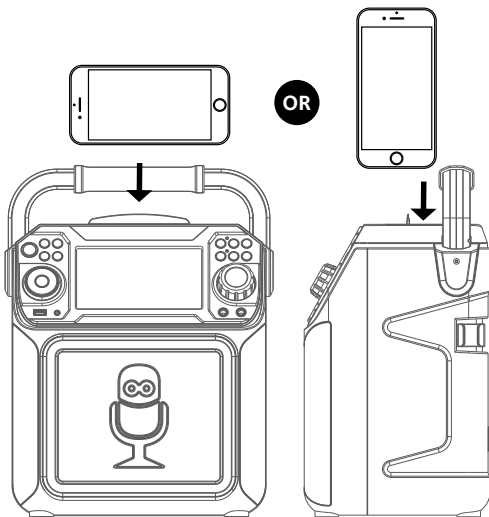
Connecting to AC Power



Insert the small end of the AC adapter into the DC IN jack on the rear of the unit. Insert the other end (with the 2 blades) into a conveniently located AC outlet having 120V AC, 60Hz.

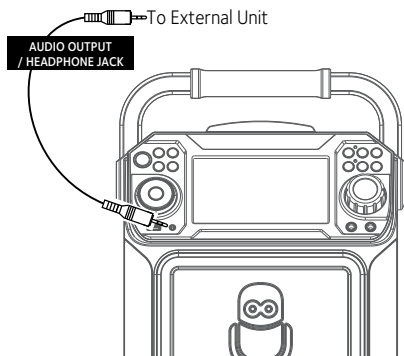
Note: Make all connections before connecting to AC power.

Cradle



Connection

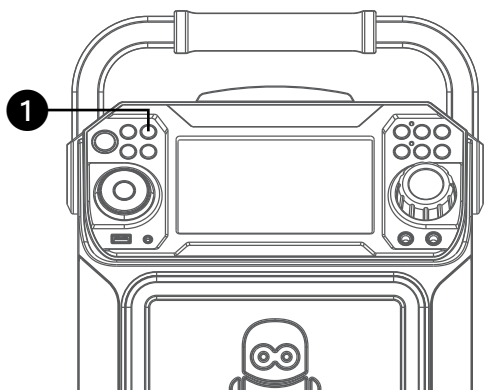
Connecting to Aux In Jack



Connect an external device by using an appropriate cable (3.5mm audio cable not included) as shown.

Note: See page E19 to select and use the Aux In function.

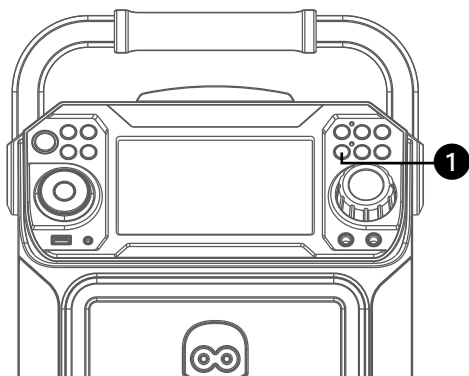
Disco Lights




When the unit is turned on, the Light mode 1 is automatically activated. The lights will light up and will synchronize with sound when you speak or sing into the microphone.

Press the **LIGHT** button for Light mode 2 which will display the light show but will not respond to the microphone. Press the **LIGHT** button once again to turn off the Lights.

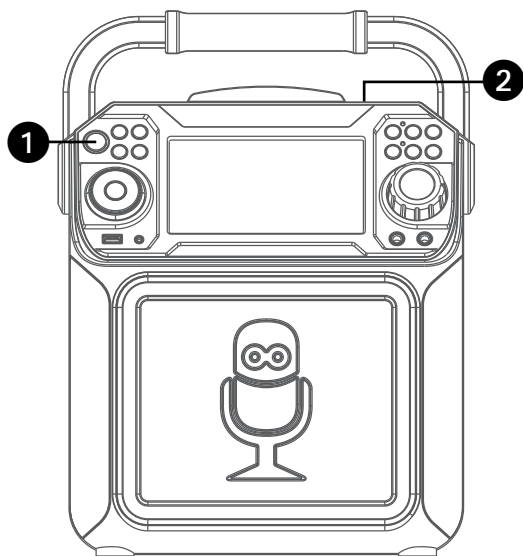
Bluetooth Mode



Press the  button to easily set the machine into pairing mode.

Operation

Playing a CD



1 Connect the unit as described previously. Press the **ON/OFF** button to turn the unit on. The power indicator will light solid.

2 Lift open the CD door and insert a CD (with standard or MP3+G files) or a CD+G by gently pressing it on the center spindle. Then close the CD door.

Notes:

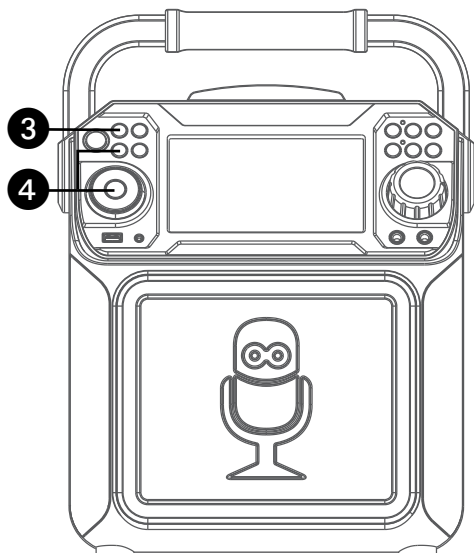
• What is a CD+G?

A CD+G (CD+Graphics) is the standard format for most karaoke discs that will display the words on the screen.

• What is an MP3+G?

MP3+G is the newest format for karaoke music utilizing the MP3's small file size. It will display the words on the screen. See page 19 to order and download MP3+G files.

- Never place anything other than a CD in the compartment, as foreign objects can damage the unit.
- If no disc is inserted, "NO DISC" will appear on the screen.
- If connected to a TV or other audio source, adjust the volume of the TV using its own volume control.

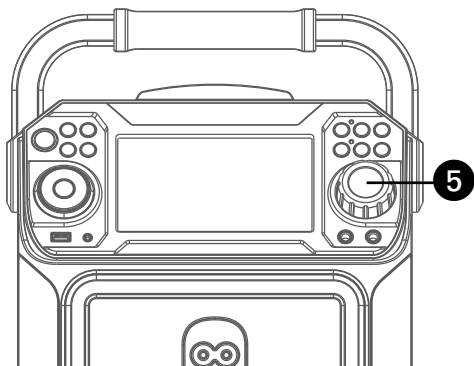


3 Repeatedly press the **FUNCTION** button to select the CDG/CD mode; "READ" will appear when searching the disc and then the total number of tracks will appear.

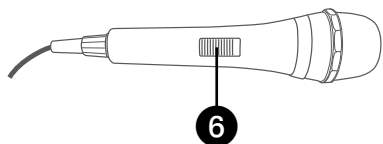
4 Press the **PLAY/PAUSE** button to start playback. You can view the image and lyrics on the screen, if listening to a CD+G file. Press the **MONITOR** button to turn off the screen.

Operation

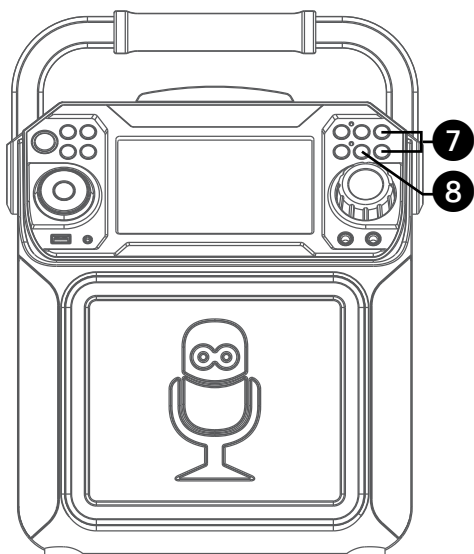
Playing a CD (Continued)



- 5 Adjust the volume to a comfortable level using the **MASTER VOLUME** control.



- 6 Connect microphone(s) and slide the **ON/OFF** switch on the microphone to the ON position.



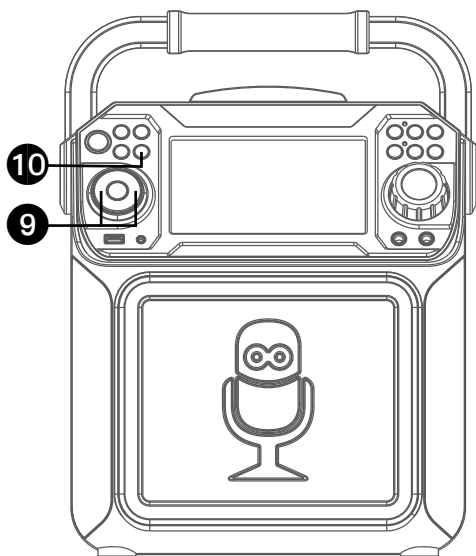
- 7 Pressing **MIC VOLUME** **^** or **v** button to adjust the mic volume as desired. Increase this control will increase the volume of both microphones.

- 8 **AUTO VOICE CONTROL** can be activated by pressing the **A.V.C. (AUTO VOICE CONTROL)** button. The vocals on a multiplex recording will be muted as soon as the singer begins singing into the microphone. When the singer stops singing, the recorded vocals on the multiplex recording will resume to normal.

Note: This is only for files recorded with this multiplex feature.

Operation

Playing a CD (Continued)

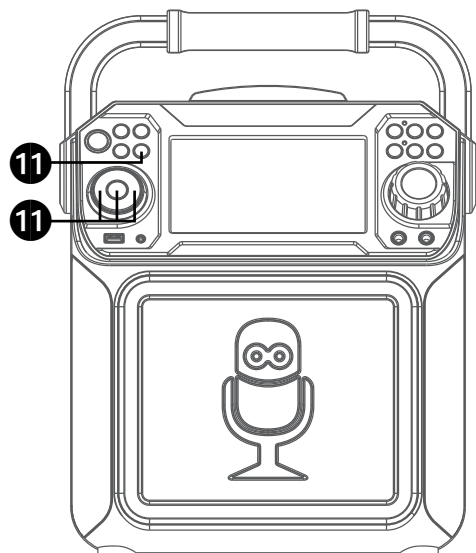


9 SKIP: Advance or go back one track by pressing the > or < buttons.

SEARCH: When playing any audio CD, press and hold the > or < button. The CD will search at high speed in the forward or backward direction. Normal play will continue when you release the button.

Note: SEARCH function only works with CD not CD+G discs.

10 REPEAT: To repeat the current track, press the **REPEAT/PROG** button once during playback, \curvearrowright will appear in the display and the current track will be repeated. To repeat all tracks, press the **REPEAT/PROG** button again, \curvearrowright will appear. Press again to cancel the Repeat feature; \curvearrowright will appear.



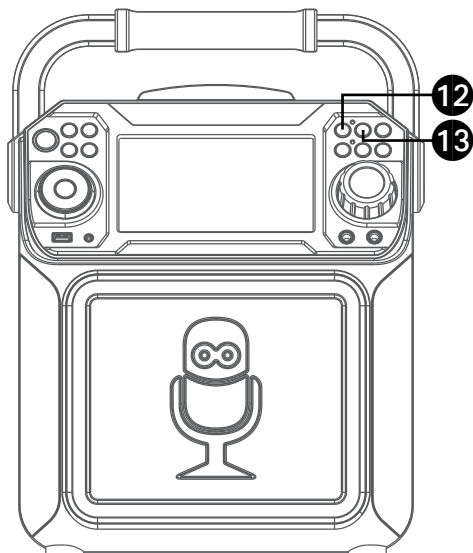
11 PROGRAM: You can program up to 20 tracks for playback in any desired order. While in Stop mode, press the **REPEAT/PROG** button; PROG SET 00:XX (xx is the total tracks) will appear in the display. Select the first track using the > or < buttons, then press the **REPEAT/PROG** button. Repeat to set up to 20 tracks into memory. When done, press the **PLAY/PAUSE ►II** button to start playback.

Notes:

- Press and hold the **REPEAT/PROG** button to stop and clear the program.
- If more than 20 tracks are attempted to be programmed, "FUL" will appear in the display.

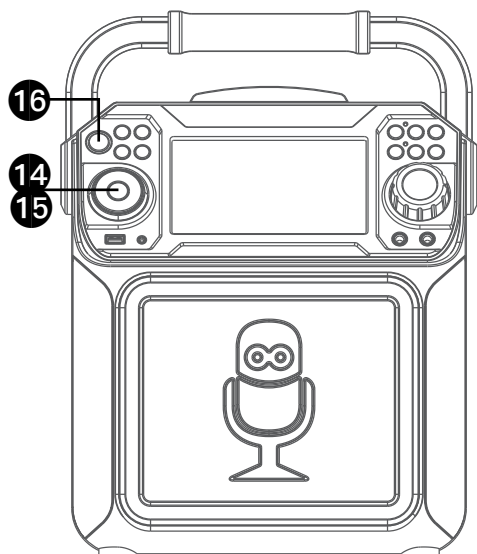
Operation

Playing a CD (Continued)



- 12 RECORDING YOUR SINGING:** Insert a USB drive first, then press the **REC** button; the song will start over and recording will begin. The recording indicator will light solid. REC with track progress in percentage will appear at the top left of the screen. When done recording, press the **REC** button again to stop recording. The recording indicator will turn off.
- See “Playing Songs from the USB” to play back your recorded files saved in the USB flash drive.

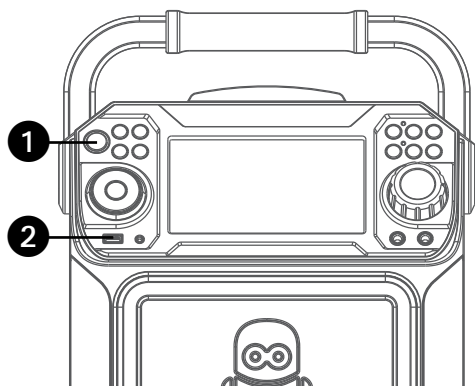
- 13 SOUND EFFECT:** Repeatedly press the **VOICE EFFECT** buttons to select from ECHO, FEMALE, MALE, CHIPMUNK, ROBOT or RADIO vocal effects. Select NONE to sing without any voice effect.



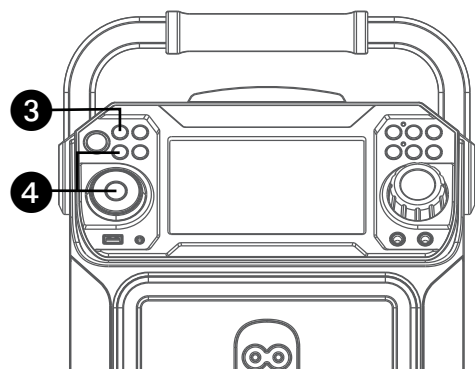
- 14 PAUSE:** During playback, if you wish to pause the disc momentarily, press the **PLAY/PAUSE ►||** button. Press again to resume normal playback.
- 15** Press and hold the **PLAY/PAUSE ►||** button to stop playback.
- 16** Press the **ON/OFF ⏻** button to turn the unit off. The power indicator will off.

Operation

Playing Songs from the USB



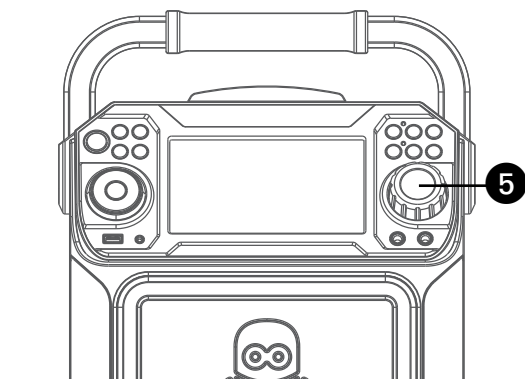
1 Connect the unit as described previously. Press the **ON/OFF** button to turn the unit on. The power indicator will light solid.



2 Insert a USB flash drive into the USB port on the unit so it faces upward. Make sure to download music from the Karaoke store.

3 Repeatedly press the **FUNCTION** button to select the USB mode; “READ USB” will appear when searching the drive and then the total number of files will appear.

4 Press the **PLAY/PAUSE** button to start playback. You can view the image and lyrics on the screen, if listening to a CD+G file. Press the **MONITOR** button to turn off the screen.



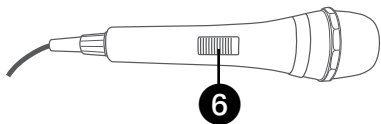
Note: On the screen, folders that contain recordings and songs appear to the left and the list of tracks from a selected folder will appear to the right. To navigate these folders see “Skip” section.

5 Adjust the volume to a comfortable level using the **MASTER VOLUME** control.

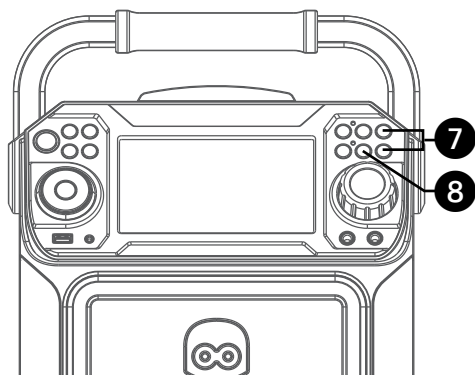
Note: If connected to a TV or other audio source, adjust the volume of the TV using its own volume control.

Operation

Playing Songs from the USB (Continued)



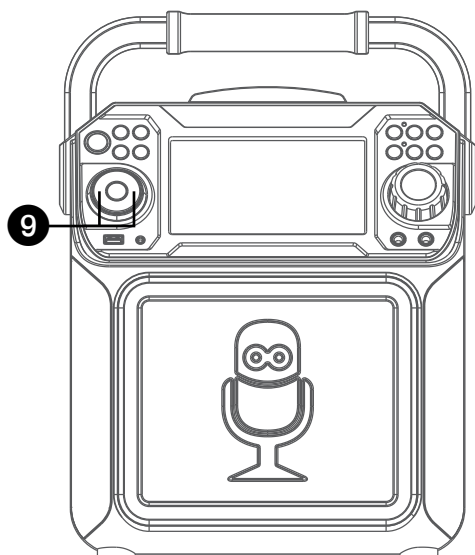
6 Connect microphone(s) and slide the **ON/OFF** switch on the microphone to the ON position.



7 Pressing **MIC VOLUME ^** or **▼** button to adjust the mic volume as desired. Increase this control will increase the volume of both microphones.

8 **AUTO VOICE CONTROL** can be activated by pressing the **A.V.C. (AUTO VOICE CONTROL)** button. The vocals on a multiplex recording will be muted as soon as the singer begins singing into the microphone. When the singer stops singing, the vocals are automatically unmuted.

Note: This is only for files recorded with this multiplex feature.



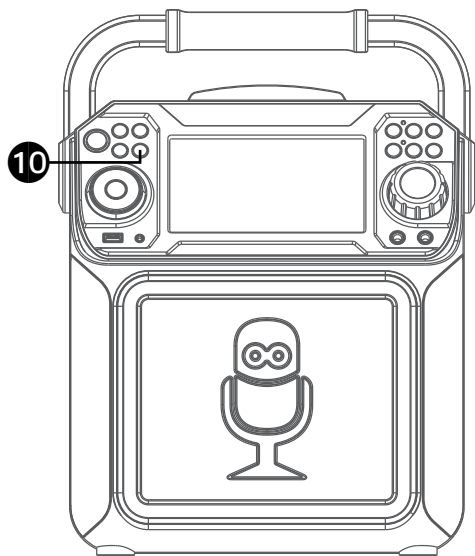
9 **SKIP:** Advance or go back one file by pressing the **>** or **<** buttons.

SEARCH: When playing any audio from the USB, press and hold the **>** or **<** buttons. The USB will search at high speed in the forward or backward direction. Normal play will continue when you release the button.

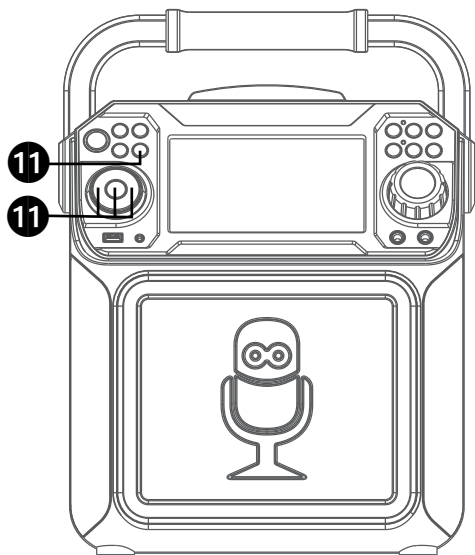
During Stop mode you can also select a file using the **^** or **▼** buttons to scroll up/down and/or the **>** or **<** buttons to scroll right/left. Recorded music will be in the folder labeled, **REC.**

Operation

Playing Songs from the USB (Continued)



10 REPEAT: To repeat the current track, press the **REPEAT/PROG** button once during playback, ↺ will appear in the display and the current track will be repeated. Press the **REPEAT/PROG** button twice, ↺ will appear and all MP3 tracks inside the current folder will be repeated continuously. To repeat all tracks, press the **REPEAT/PROG** button again, ↻ will appear. Press again to cancel the Repeat feature; ↵ will appear.



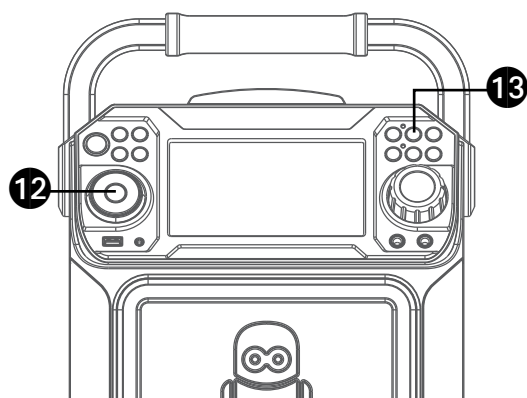
11 PROGRAM: You can program up to 20 tracks for playback in any desired order. While in Stop mode, press the **REPEAT/PROG** button; PROG SET 00:XX (xx is the total tracks) will appear in the display. Select the first track using the > or < buttons, then press the **REPEAT/PROG** button. Repeat to set up to 20 tracks into memory. When done, press the **PLAY/PAUSE ▶||** button to start playback.

Notes:

- Press and hold the **REPEAT/PROG** button to stop and clear the program.
- If more than 20 tracks are attempted to be programmed, “FUL” will appear in the display.

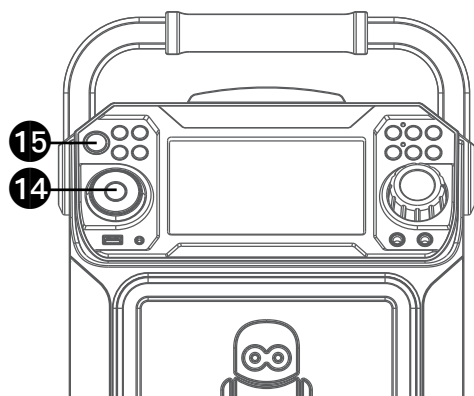
Operation

Playing Songs from the USB (Continued)



12 PAUSE: During playback, if you wish to pause the music momentarily, press the **PLAY/PAUSE ▶||** button. Press again to resume normal playback.

13 SOUND EFFECT: Repeatedly press the **VOICE EFFECT** or buttons to select from ECHO, FEMALE, MALE, CHIPMUNK, ROBOT or RADIO vocal effects. Select NONE to sing without any voice effect.

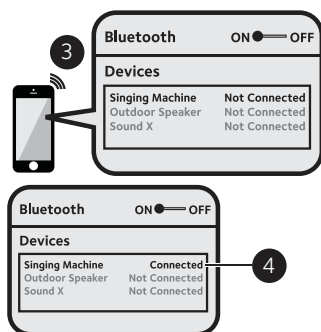
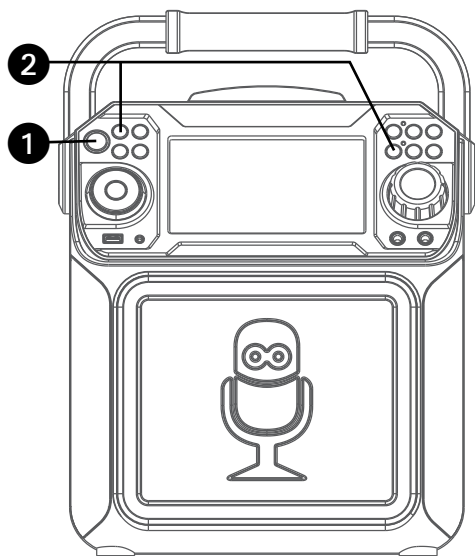




14 Press and hold the **PLAY/PAUSE ▶||** button to stop playback


15 Press the **ON/OFF ⏻** button to turn the unit off. The power indicator will off

Operation

Using a Bluetooth Device



- 1 Connect the unit as described previously. Press the **ON/OFF**  button to turn the unit on. The power indicator will light solid.
- 2 Press the  button or repeatedly press the **FUNCTION** button to select the Bluetooth; “BLUETOOTH” will appear on the screen. The screen will show your Bluetooth device is ready to connect with a notification sound. If there is a previously paired Bluetooth device nearby, the unit will connect to it automatically with a successful pairing sound. If no previously paired devices are present, connect as shown in the next step.

Note: You can also press the  button to disconnect any paired devices in order to pair another device.

- 3 Turn on your device’s Bluetooth option in settings to search for a discoverable device with a Bluetooth signal. Select “**Singing Machine**” from the device results on the Bluetooth menu.

Note: Also refer to the user manual of your Bluetooth device for detailed instructions.

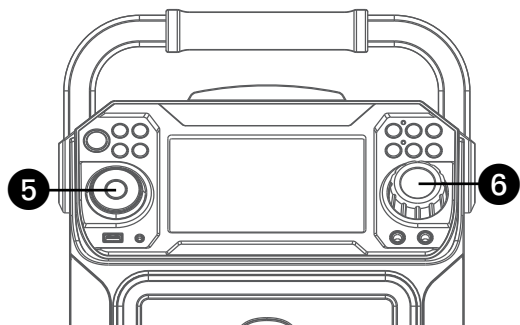
- 4 The screen will show that your Bluetooth device is connected successfully followed by a paired sound.

Notes:

- If your Bluetooth prompts you for a passcode during the pairing process, please enter “0000” to connect.
- On some Bluetooth devices, once pairing is complete, select your Bluetooth device as “Use as Audio Device” or similar.
- If connection is lost after successful pairing, check to make sure the distance between speaker and Bluetooth-enabled device does not exceed 30 feet/10 meters.

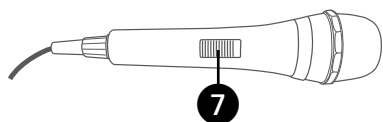
Operation

Using a Bluetooth Device (Continued)

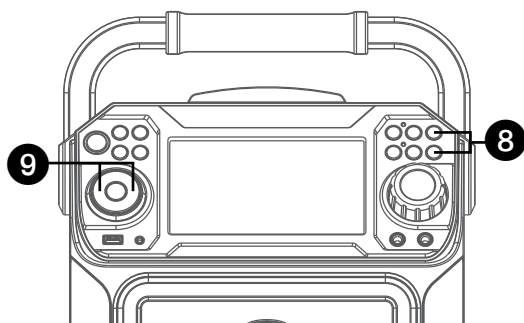


5 To control your Bluetooth device from this unit, press the **PLAY/PAUSE ▶||** button to start playback (music app must be open). Press the **PLAY/PAUSE ▶||** button during playback to pause the song.

6 Adjust the volume to a comfortable level using the **MASTER VOLUME** control on this unit as well as the volume on your Bluetooth device.



7 Connect microphone(s) and slide the **ON/OFF** switch on the microphone to the ON position.

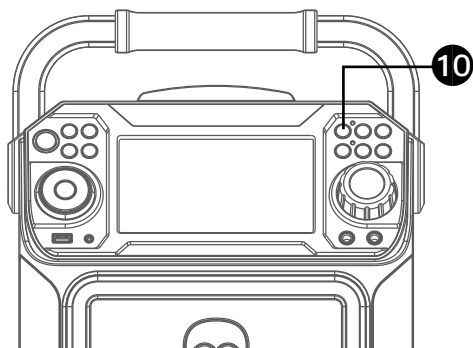


8 Pressing **MIC VOLUME ^** or **v** button to adjust the mic volume as desired. Increase this control will increase the volume of both microphones.

9 **SKIP:** Advance or go back one track by pressing the **>** or **<** buttons.

Operation

Using a Bluetooth Device (Continued)




- 10 RECORDING YOUR SINGING:** Insert a USB drive first, then press the **REC** button; the song will start over and recording will begin. The recording indicator will light solid. REC with track progress in percentage will appear at the top left of the screen. When done recording, press the **REC** button again to stop recording. The recording indicator will turn off.

See “Playing Songs from the USB” to play back your recorded files saved in the USB flash drive.

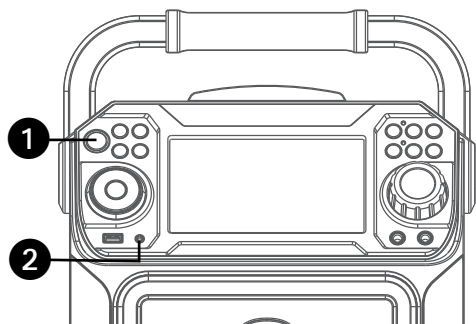



- 11 SOUND EFFECT:** Repeatedly press the **VOICE EFFECT** buttons to select from ECHO, FEMALE, MALE, CHIPMUNK, ROBOT or RADIO vocal effects. Select NONE to sing without any voice effect.

- 12** Press the **ON/OFF**  button to turn the unit off. The power indicator will off.

Operation

Using the AUX IN Jack

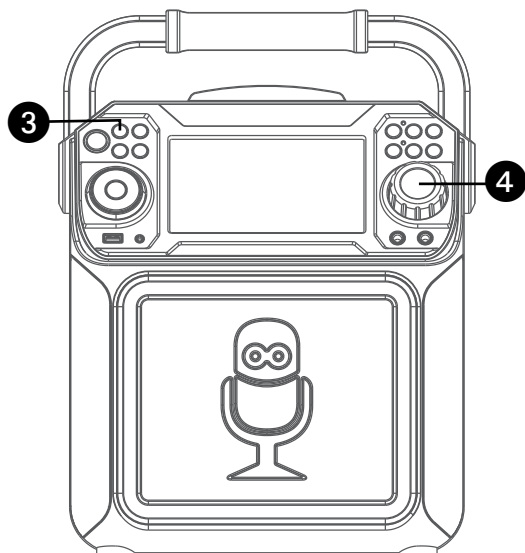


1 Connect the unit as described previously. Press the **ON/OFF**  button to turn the unit on. The power indicator will light solid.

2 Connect the external unit to the AUX IN Jack on the front of this unit. Connecting an external unit will allow the audio to be played through your Singing Machine.

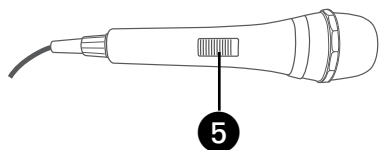
Notes:

- It is highly recommended to set the volume on the auxiliary unit to 1/3 or lower to avoid distortion.
- Skipping files/tracks is not possible on this unit when using an external device.



3 Repeatedly press the **FUNCTION** button to select the Line In; "LINE IN" will appear on the screen.

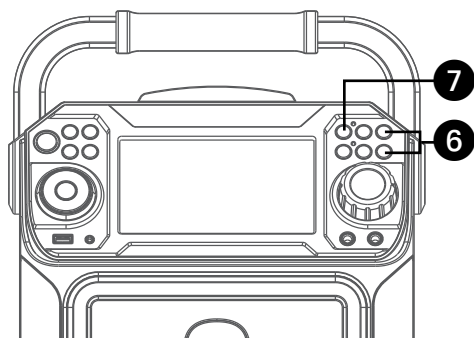
4 Adjust the volume using the **MASTER VOLUME** control on this unit or your external device's volume control.



5 Connect microphone(s) and slide the **ON/OFF** switch on the microphone to the ON position.

Operation

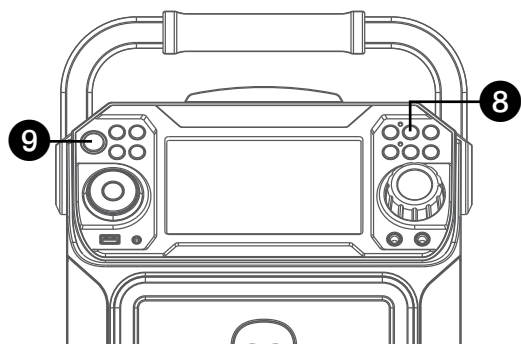
Using the AUX IN Jack (Continued)



6 Pressing **MIC VOLUME** \wedge or \vee button to adjust the mic volume as desired. Increase this control will increase the volume of both microphones.

7 **RECORDING YOUR SINGING:** Insert a USB drive first, then press the **REC** button; the song will start over and recording will begin. The recording indicator will light solid. REC with track progress in percentage will appear at the top left of the screen. When done recording, press the **REC** button again to stop recording. The recording indicator will turn off.

See "Playing Songs from the USB" to play back your recorded files saved in the USB flash drive.



8 **SOUND EFFECT:** Repeatedly press the **VOICE EFFECT** buttons to select from ECHO, FEMALE, MALE, CHIPMUNK, ROBOT or RADIO vocal effects. Select NONE to sing without any voice effect.

9 Press the **ON/OFF** \cup button to turn the unit off. The power indicator will off.

Operation

Where to Download MP3+G Files

Helpful Hints:

The .mp3 and .cdg files are delivered for download in a single, compressed MP3+G.zip file. The MP3+G file cannot be played as a .zip file on a USB flash drive.

To play karaoke songs using a USB flash drive, the MP3+G .zip file must be unzipped as follows:

- Connect a USB flash drive to your computer.
- Download the MP3+G file from your Digital Locker and save the .zip* file to a folder on your computer.
- Double click the .zip file to open the .zip (you will see the .mp3 and .cdg files).
- Drag and drop the .mp3 and .cdg files to the USB flash drive.
- Remove (eject) the USB flash drive from your computer.

Turn on the Singing Machine and connect the USB flash drive.

To purchase and download karaoke music, please visit <http://store.singingmachine.com> to access over 13,000+ of your favorite karaoke songs. You will need a USB flash drive (not included) to transfer the downloads to this unit.

Follow these easy steps:

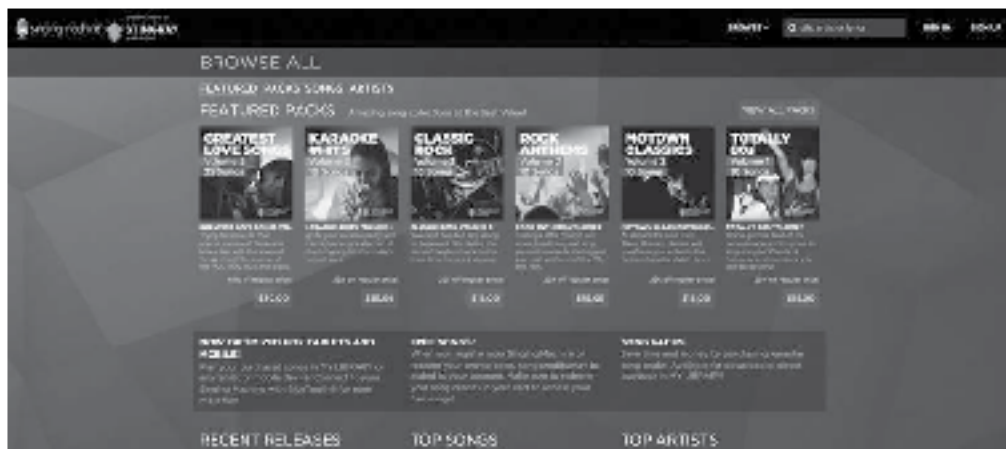
- 1 Go to <http://store.singingmachine.com> using your internet browser, and then register.
- 2 Select and purchase your favorite karaoke music from the Singing Machine Download Store.
- 3 Download your selected purchase(s) from the Singing Machine Digital Locker to your USB flash drive.
- 4 Insert the USB flash drive as shown on page E12 and enjoy!

FAQ

- Where can I get additional help with the file formats?

Visit <http://singingmachine.com/smc-music/> to get additional resources about the right type of FILE FORMAT for your system.


Note: Your downloaded songs can also be burned to a blank CDR/CDRW.



Troubleshooting Guide

Should this unit exhibit a problem, check the following before seeking service:

No Power

- Power is not on; press the **ON/OFF**  button to turn power on.
- Confirm that the AC adapter is connected securely to the back of the unit.
- Connect the unit to a different outlet.

No Sound – General

- Master Volume is set to minimum; raise volume.
- Correct Function was not selected; select using the **FUNCTION** button.
- If using an external device, raise the volume.

No Sound – If connected to a TV

- Volume on the TV is muted or too low.
- Correct source (usually AV) was not selected on the TV's menu.


No sound from the microphone

- Make sure the microphone is firmly connected to the MIC 1 or MIC 2 jack.
- Make sure the mic's **ON/OFF** switch is set to the ON position.
- Make sure the **MIC VOLUME** control is not set too low.
- **MASTER VOLUME** control is set to minimum; raise volume.

File(s) on USB jack not playing

- The file is corrupted; replace the file.
- The file is not in a format this unit will play.
- The connected USB device is not supported by the product.

The Bluetooth device cannot be paired or connected with the unit

- Ensure any other Bluetooth devices are turned off to avoid accidental pairing.
- You have not activated the Bluetooth function of your device; see page E16 or refer to the Bluetooth device user's manual.
- The system is not in pairing mode; press the  button to restart pairing.

The Music is not available on the unit after successfully connecting the Bluetooth

- Ensure your Bluetooth device can support the A2DP Bluetooth profile.
- The volume on the external Bluetooth device is set too low or muted; raise as desired.

The unit will not record

- No USB device inserted, or USB device is full. Move all recordings to your computer to make room.

Specifications

AUDIO

Output Power	15 Watts (RMS)
Output Impedance.....	4 Ohms

CD SECTION

Frequency Response.....	100Hz - 20kHz
Signal-to-Noise Ratio	50dB (A-WTD)
Number of Programs.....	20 Step Random Access Programming

BLUETOOTH

Bluetooth Version	V4.2
Working Distance.....	Up to 30 feet/10 meters measured in open space

USB

Format.....	FAT32
Maximum Compatibility	32GB



GENERAL

Power	DC12V 2A Positive Center
Dimensions - Main Unit.....	13.0 x 9.1 x 17.04 inches (33.0 x 23.0 x 43.1cm)
Weight - Main Unit.....	8.7Lbs (4.0kgs)
Microphone.....	-74 dB 600 Ohms impedance with 6.3 mm Dynamic Microphone
Aux In.....	3.5mm Stereo Jack

Specifications are subject to change without notice.

The Bluetooth® word mark and logos are registered trademarks owned by Bluetooth SIG, Inc. and any use of such marks and logos by The Singing Machine Company, Inc. is under license. Other trademarks and trade names are those of their respective owners.

Advertencias

	PRECAUCIÓN RIESGO DE DESCARGA ELÉCTRICA NO ABRIR	
PRECAUCIÓN: PARA REDUCIR EL RIESGO DE DESCARGAS ELÉCTRICAS, NO quite la cubierta (NI LA TAPA POSTERIOR) NO HAY PIEZAS REPARABLES POR EL USUARIO DENTRO. DERIVE LAS REPARACIONES A PERSONAL DE SERVICIO CALIFICADO. Las marcas de Precaución se ubican en el panel inferior.		



TENSIÓN PELIGROSA: La luz intermitente con símbolo de flecha dentro de un triángulo pretende alertar al usuario de la presencia de tensión peligrosa no aislada, dentro del paquete del producto, que puede ser de magnitud suficiente para constituir un riesgo de descarga eléctrica para las personas.



ATENCIÓN: El signo de exclamación dentro de un triángulo pretende alertar al usuario de la presencia de instrucciones importantes de operación y mantenimiento (reparaciones) en el material que acompaña a este producto.

ADVERTENCIA DE GOTEOS: Este producto no se podrá exponer a goteo o salpicaduras, y no se colocará ningún objeto lleno con líquidos, como jarrones, encima del producto.

ADVERTENCIA DE VENTILACIÓN: La ventilación normal del producto no se bloqueará si se le da el uso previsto.

ESTE PRODUCTO CUMPLE CON LAS NORMAS DHHS 21 CFR, CAPÍTULO 1, SUBCAPÍTULO J, APLICABLES A LA FECHA DE FABRICACIÓN.

Advertencias:

- Este reproductor de CD utiliza un haz de luz láser. Solo la persona de reparaciones calificada es quien puede retirar la cubierta y reparar este dispositivo debido a posibles lesiones en la vista.
- El uso de controles, ajustes o la realización de procedimientos que no sean los especificados en el presente pueden producir exposición a radiación peligrosa.
- El artefacto deberá utilizarse en un espacio abierto.

PRECAUCIÓN!

Si la caja se abre o el dispositivo de seguridad se destruye, puede producirse la emisión invisible de radiación láser. Evite la exposición al haz de luz.

ADVERTENCIA: PARA EVITAR INCENDIOS O PELIGROS DE DESCARGA, NO EXPONGA ESTA UNIDAD A LA LLUVIA O HUMEDAD.

AVISO DE LA FCC: Este equipo puede generar o usar energía de radio frecuencia. Los cambios o modificaciones realizados en el aparato pueden provocar interferencia perjudicial, a menos que dichas modificaciones estén autorizadas en el manual de instrucciones. El usuario puede perder toda autoridad para operar el equipo si realiza cambios o modificaciones sin autorización.

Este aparato cumple con la parte 15 de las Normas de la FCC. El funcionamiento está sujeto a las dos condiciones que figuran a continuación: (1) Es probable que no cause interferencia perjudicial y (2) deberá aceptar cualquier interferencia recibida, incluyendo la interferencia que pueda llegar a causar un funcionamiento indeseado.

NOTA: Este equipo fue probado y se concluyó que cumple con los límites establecidos para los dispositivos digitales Clase B, de acuerdo con el Apartado 15 de las normas de la FCC. Estos límites fueron pensados para proporcionar protección razonable ante la interferencia perjudicial en una instalación residencial. Este equipo genera, usa y puede emitir energía de radio frecuencia y, si no se lo instala y utiliza de conformidad con las instrucciones, puede causar interferencia perjudicial a las comunicaciones radiales. No obstante, no existe ninguna garantía de que no se produzca interferencia en una instalación en particular. Si este equipo provoca interferencia perjudicial a la recepción de radio o televisión, lo cual puede determinarse apagando y encendiendo el equipo, el usuario puede intentar corregir la interferencia de alguna/s de las siguientes maneras:

- Reoriente la antena receptora o ubíquela en otro lugar.
- Aumente la distancia entre el equipo y el receptor.
- Conecte el equipo a un tomacorriente de un circuito distinto al que está conectado el receptor.
- Consulte al distribuidor o a un técnico experimentado de radio y televisión para que lo asesore.
- La información de calificación se encuentra en la parte de abajo de la unidad.

CAN ICES-3(B)/NMB-3(B)

Información importante sobre seguridad

1. Lea estas instrucciones.
2. Conserve estas instrucciones.
3. Preste atención a todas las advertencias.
4. Siga todas las instrucciones.
5. No utilice este artefacto cerca del agua.
6. Límpielo únicamente con un paño seco.
7. No obstruya las aberturas para ventilación. Instálelo de acuerdo con las instrucciones del fabricante.
8. No instale cerca de fuentes de calor, como radiadores, rejillas de calefacción, estufas u otros aparatos (incluso amplificadores) que produzcan calor.
9. No desafíe el fin de seguridad del enchufe polarizado o de conexión a tierra. Un enchufe polarizado tiene dos clavijas y una es más ancha que la otra. El enchufe de conexión a tierra tiene dos clavijas, y una tercera punta a tierra. La clavija ancha o la tercera punta se suministran para su seguridad. Si el enchufe suministrado no coincide con su tomacorriente, consulte con un electricista para reemplazar el tomacorriente obsoleto.
10. Evite pisar o apretar el cable de alimentación, especialmente en los enchufes, tomacorrientes y en el punto por donde salen del artefacto.
11. Utilice sólo los complementos y accesorios especificados por el fabricante.
12. Utilice la unidad sólo con el carro, soporte, trípode, repisa o mesa recomendados por el fabricante, o que se vendan junto con el producto. Cuando se utiliza un carro, tenga cuidado

cuando mueva el carro y artefacto junto a para evitar lesiones producidas por la caída del producto.

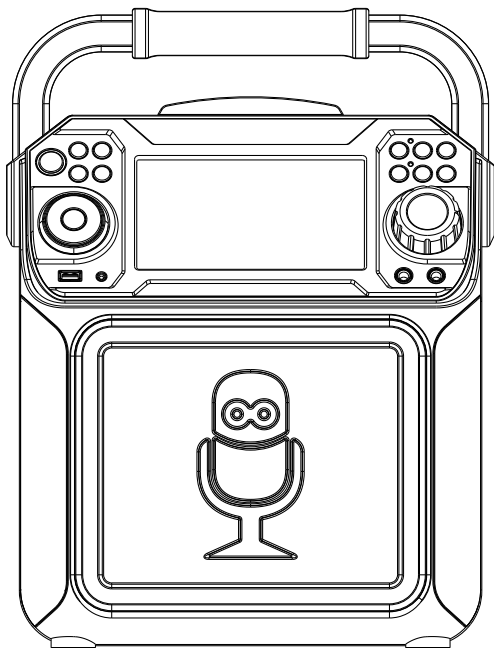
13. Desenchufe este artefacto durante las tormentas eléctricas o cuando no se lo utilice durante períodos prolongados.
14. Derive todas las reparaciones al personal de reparaciones calificado. Es necesario reparar el artefacto cuando se encuentra dañado; por ejemplo, cuando el cable de suministro de energía o el enchufe están dañados, cuando se derrama líquido sobre la unidad o caen objetos dentro del mismo, cuando el producto ha estado expuesto a la lluvia o a la humedad, cuando no funciona con normalidad o cuando se ha caído.
15. **ADVERTENCIA:** Para reducir el riesgo de incendio o descarga eléctrica, no exponga este artefacto a la lluvia o la humedad. No coloque objetos llenos de agua, como jarrones, sobre el aparato.
16. El enchufe de conexión de CA se utiliza como dispositivo de desconexión eléctrica y deberá estar siempre accesible y en funcionamiento durante el uso previsto. Para desconectar completamente el aparato de la electricidad, el enchufe de conexión deberá quitarse por completo del tomacorriente de CA.
17. **PRECAUCIÓN:** Para reducir el riesgo de incendio o explosión no exponga las baterías al calor excesivo, como al rayo del sol, fuego u otras fuentes de calor.

ADVERTENCIA SOBRE EL CARRO PORTÁTIL
(símbolo provisto por IEC60335-1)

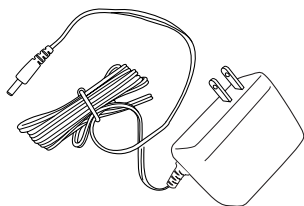


Se incluyen

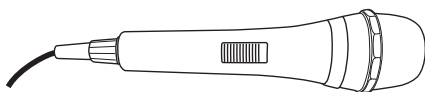
Asegúrese de que estén incluidos los siguientes elementos.



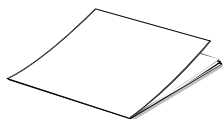
Unidad principal



Adaptador de CA



Micrófono con cable

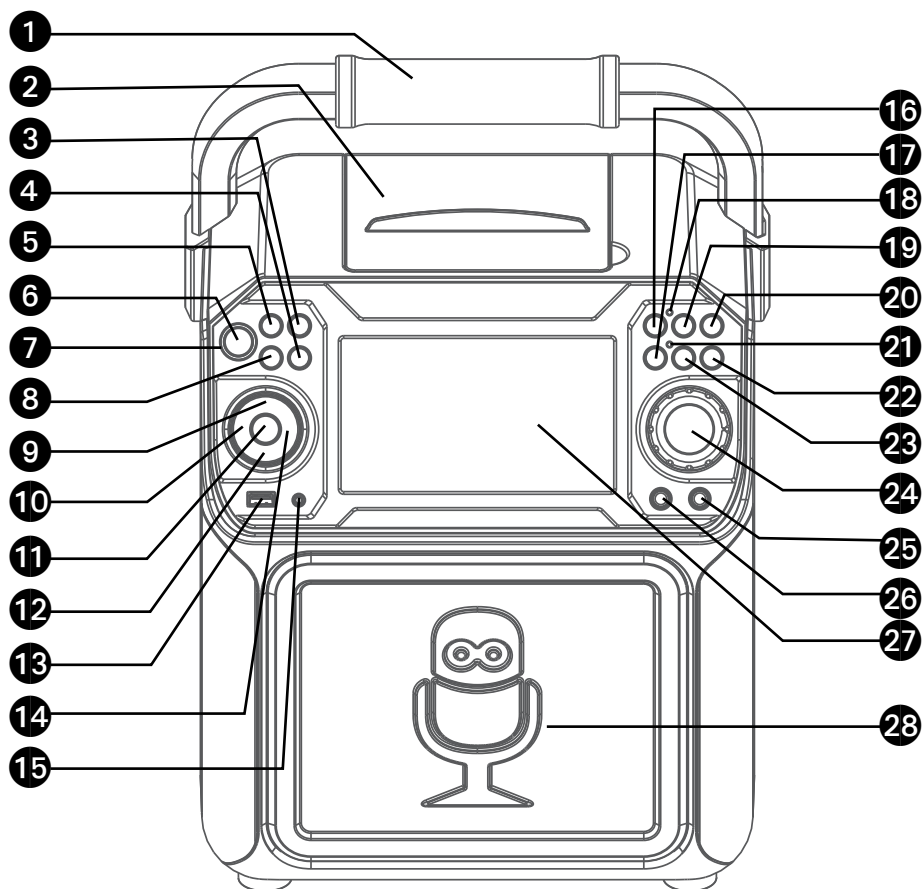


Manual



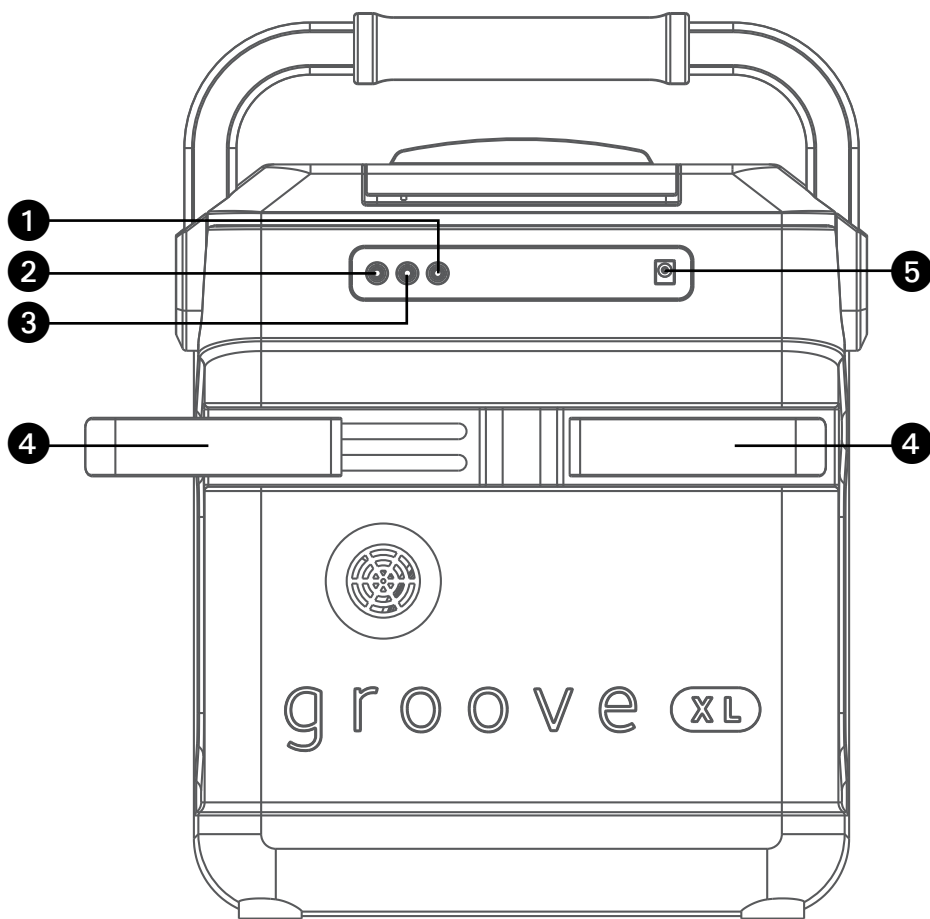
Cables de Audio/Video

Ubicación de controles (Superior/delantero)



- | | | |
|--|--|--|
| 1. Manija | 11. Botón REPRODUCIR/PAUSAR (PLAY/PAUSE) ► | 21. Indicador de Bluetooth |
| 2. Compartimiento del CD | 12. Botón de navegación ▼ | 22. Botón VOLUMEN ▼ DEL MICRÓFONO (MIC VOLUME) |
| 3. Botón LUZ (LIGHT) | 13. Puerto USB | 23. Botón A.V.C. (Control de voz automático) |
| 4. Botón REPETIR/PROGRAMAR (REPEAT/PROG) | 14. Botón de navegación > / Saltar > (Skip) | 24. Control de VOLUMEN PRINCIPAL (MASTER VOLUME) |
| 5. Botón de FUNCIÓN (FUNCTION) | 15. Conector de entrada auxiliar (AUX IN) | 25. Entrada para MICRÓFONO 2 (MIC 2) |
| 6. Botón de ENCENDIDO/APAGADO (ON/OFF) | 16. Botón GRABAR (RECORD) | 26. Entrada para MICRÓFONO 1 (MIC 1) |
| 7. Indicador de encendido (Power) | 17. Botón Bluetooth | 27. Pantalla |
| 8. Botón de ENCENDIDO/APAGADO del MONITOR (ON/OFF) | 18. Indicador de grabación | 28. Altavoz |
| 9. Botón de navegación ▲ | 19. Botón EFECTO DE VOZ (VOICE EFFECT) | |
| 10. Botón de navegación < / | 20. Botón VOLUMEN ▲ DEL MICRÓFONO (MIC VOLUME) | |

Ubicación de los controles (reverso)

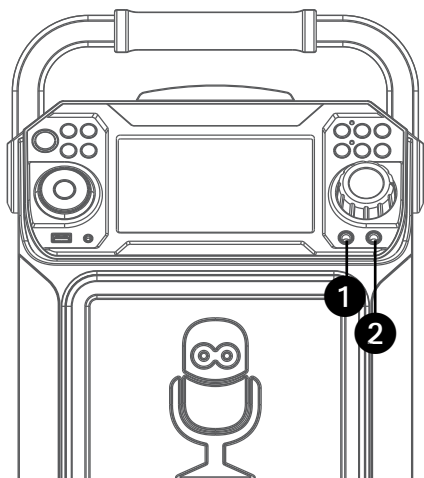


1. SALIDA DE AUDIO (L)
2. SALIDA DE VIDEO
3. SALIDA DE AUDIO (R)

4. Porta micrófonos extensibles
5. Conector de ENTRADA DE CC

Conexión

Conexión de la Microphono(s)

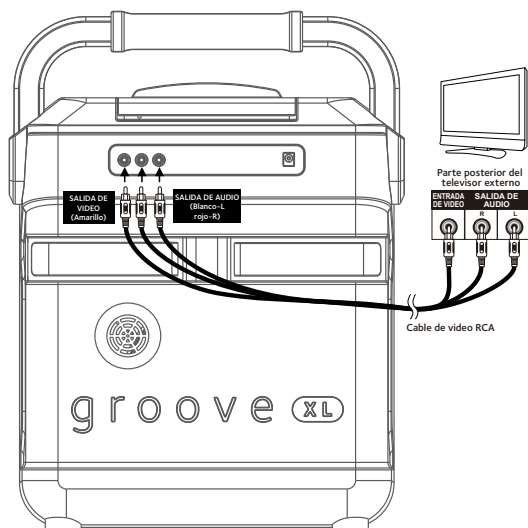


Micrófonos:

Inserte el enchufe de un micrófono en la entrada para micrófono **1** y el otro enchufe de micrófono en la entrada para micrófono **2** (si lo desea).

Nota: No arroje o dé golpecitos al micrófono, puede dañar el micrófono o los parlantes. No gire el micrófono por el cable porque causará daños en el cableado revestido.

Conexión de la unidad a un televisor



Para que se reproduzca el video, las letras y el audio en su televisor, siga los siguientes pasos:

Conecte el cable de video RCA (amarillo) a la SALIDA DE VIDEO (VIDEO OUT) y los cables de audio (blanco y rojo) a las SALIDAS DE AUDIO (AUDIO OUT) ubicadas en la parte trasera de la Singing Machine.

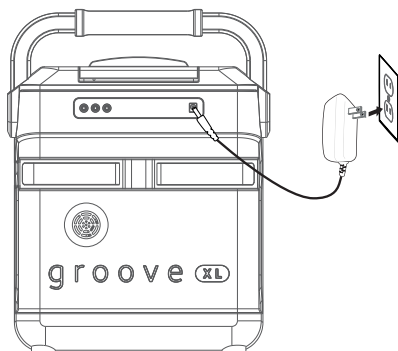
Conecte el otro extremo del cable de video RCA (amarillo) a la ENTRADA DE VIDEO (VIDEO IN) y los cables de audio (blanco y rojo) a la ENTRADA DE AUDIO (AUDIO IN) de su televisor.

Notas:

- Esta unidad se puede usar con o sin televisor.
- También consulte la Guía de usuario del televisor.
- Para ver las letras de canciones en la pantalla, debe usar un disco CD+G O MP3.
- Se incluyen los cables de audio y video.

Conexión

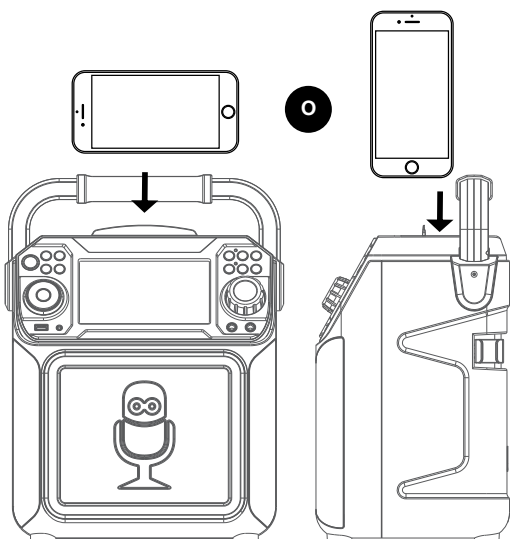
Conexión a alimentación de corriente alterna



Introduzca el extremo pequeño del adaptador de CA en el conector de entrada de CC ubicado en la parte trasera de esta unidad. Introduzca el otro extremo (con 2 clavijas) en un tomacorriente con CA, correctamente ubicado, y que posea 120V de CA, 60Hz.

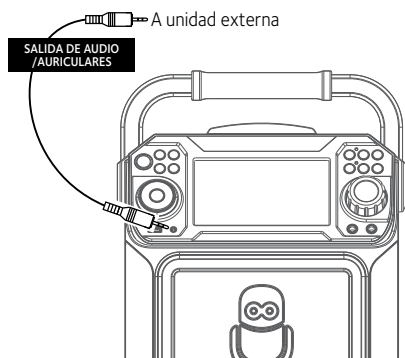
Nota: Haga todas las conexiones antes de enchufar a la alimentación de CA.

BASE



Conexión

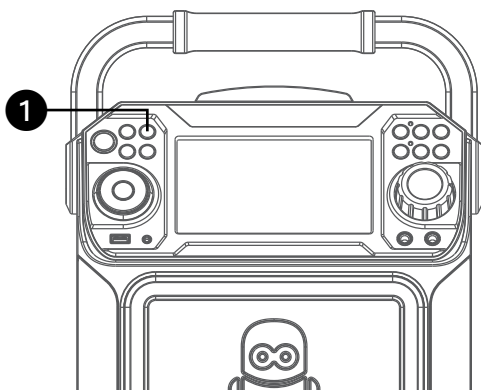
Conexión a ENTRADA DE AUX



Conecte su dispositivo externo utilizando un cable adecuado (no se incluye el cable de audio de 3,5mm) como se muestra.

Nota: Consulte la página S19 para seleccionar y utilizar la función de entrada de Aux.

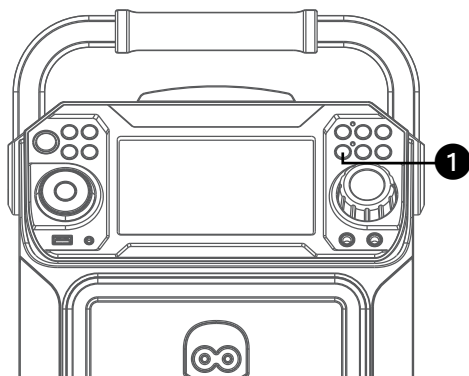
Luces de disco




Cuando la unidad está encendida, el modo de Luz (Light) 1 se activa automáticamente. Las luces se encenderán y se sincronizarán con el sonido cuando hable o cante por el micrófono.

Presione el botón **LUZ (LIGHT)** para seleccionar el modo de luz 2 que mostrará las luces pero no responderá al micrófono. Presione el botón **LUZ (LIGHT)** otra vez para apagar las luces.

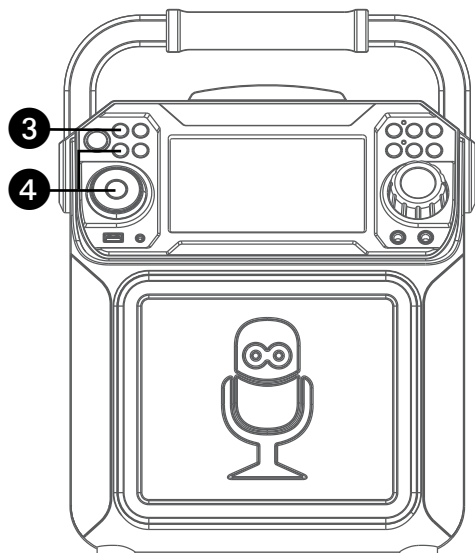
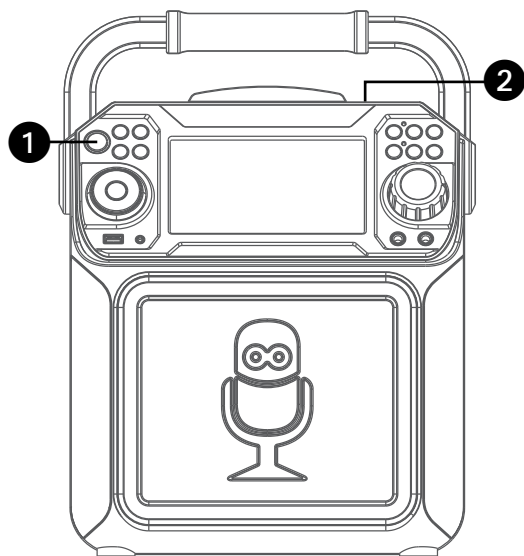
Modo Bluetooth



Oprima el botón  para configurar fácilmente la máquina en modo de emparejamiento.

Funcionamiento

Reproducción de un CD



1 Conecte la unidad como se describió previamente. Oprima el botón de **Encendido/Apagado** (ON/OFF) para encender la unidad. El indicador de Encendido (Power) se iluminará y quedará encendido.

2 Abra el compartimento de CD e introduzca un CD (Con archivos estándar o MP3+G) un CD+G presionándolo cuidadosamente en el husillo central. Cierre la tapa del CD.

Notas:

• ¿Qué es un CD+G?

Un CD+G (CD+ Graphics), es el formato estándar para la mayoría de los discos de karaoke que mostrarán las letras de canciones en pantalla.

• ¿Qué es un MP3+G?

MP3+G es el formato más nuevo para música Karaoke usando el tamaño de archivo pequeño de MP3. Mostrará las letras de canciones en la pantalla. Consulte la página S19 para comprar y descargar archivos MP3+G.

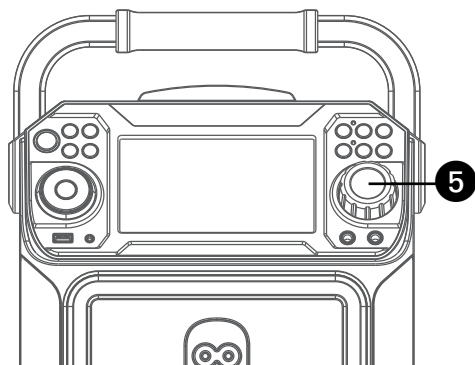
- Nunca coloque nada que no sea un CD en el compartimento, como por ejemplo objetos extraños que puedan dañar la unidad.
- Si no introdujo un disco, "NO DISC" aparecerá en la pantalla de LCD.
- Si se conecta a un televisor u otra fuente de audio, ajuste el volumen del televisor con su propio control de volumen.

3 Presione varias veces el botón **FUNCIÓN (FUNCTION)** para seleccionar el modo CDG/CD; aparecerá "LEER" (READ) cuando busque el disco y después aparecerá la cantidad total de pistas.

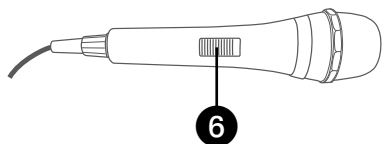
4 Oprima el botón **Reproducir/Pausar / ACEPTAR (Play/Pause ► / ENTER)** para comenzar la reproducción. Puede visualizar la imagen y letra de canciones en la pantalla si escucha un archivo CD+G. Oprima el botón de MONITOR para apagar la pantalla.

Funcionamiento

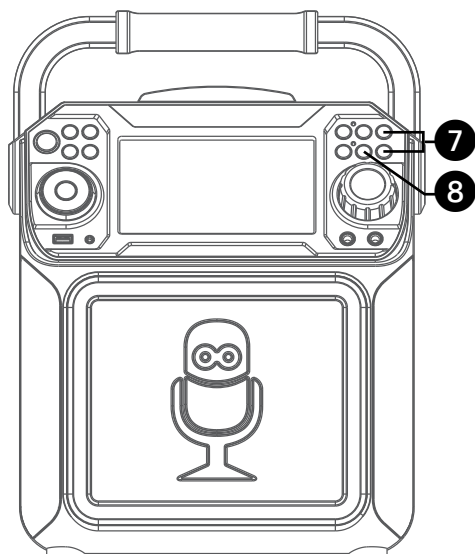
Reproducción de un CD (Continuó)



- 5 Ajuste el volumen a un nivel conveniente, usando el control de **VOLUMEN PRINCIPAL (MASTER VOLUME)**.



- 6 Conecte el/los micrófono/s. Ubique el interruptor de **ENCENDIDO/APAGADO (ON/OFF)** del Micrófono en la posición de ENCENDIDO (ON).



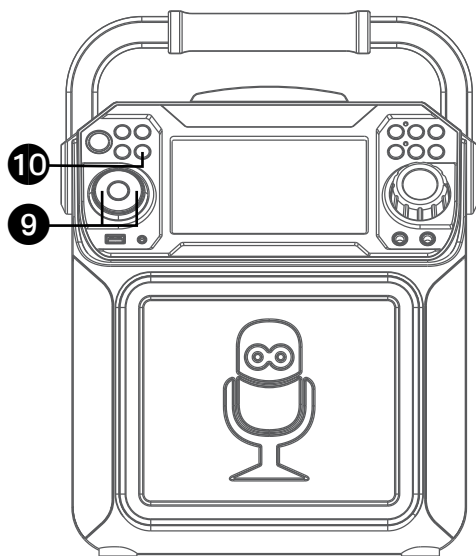
- 7 Oprima el botón de **VOLUMEN DEL MICRÓFONO (MIC VOLUME) \wedge o \vee** para ajustar el volumen del micrófono según desee. Al aumentar el nivel de este control se incrementará el volumen de los dos micrófonos.

- 8 Puede activarse el control de **VOZ AUTOMÁTICO (AUTO VOICE CONTROL)** oprimiendo el botón **ENCENDIDO/APAGADO (ON/OFF)** del control de voz automático. Las voces presentes en una grabación multiplex se silencian apenas el cantante comienza a cantar en el micrófono. Cuando el cantante deje de cantar, las voces grabadas en la grabación multiplex volverán a la normalidad.

Nota: Esto sucede solamente con los archivos grabados con esta función multiplex.

Funcionamiento

Reproducción de un CD (Continuó)



- 9** **SALTO:** Avance o retroceda una pista presionando los botones **Salto** > o < .
BÚSQUEDA: Cuando reproduzca cualquier CD de audio, oprima y mantenga oprimido **Salto** > o < . El CD buscará a alta velocidad en dirección hacia adelante o hacia atrás. La reproducción normal continuará cuando suelte el botón.

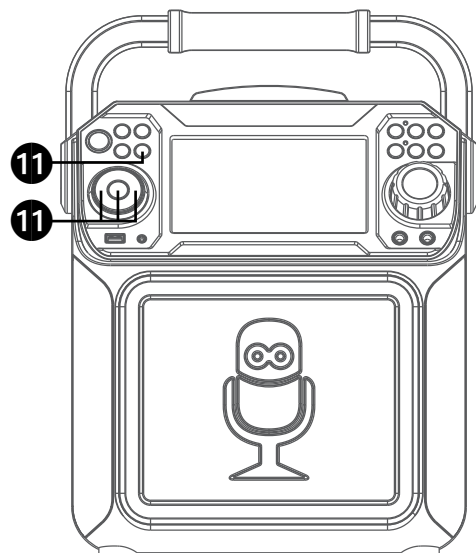
Nota: La función **BÚSQUEDA** funciona solamente con CD, no con discos CD+G.

- 10** **FUNCIÓN REPETIR:** Para repetir la pista actual, oprima una vez **PROGRAMAR/REPETIR (PROGRAM/REPEAT)** durante la reproducción, en la pantalla aparecerá $\overleftarrow{1}$ y se repetirá la pista actual. Para repetir todas las pistas, oprima nuevamente el botón **T**; aparecerá \overleftarrow{A} . Oprima otra vez para cancelar la función Repetir (Repeat); aparecerá \overleftarrow{X} .

- 11** **FUNCIÓN PROGRAMAR:** Puede programar hasta 20 pistas para reproducir en cualquier orden deseado. En el modo Detener, oprima el botón **PROGRAMAR/REPETIR (PROGRAM/REPEAT)**; en la pantalla aparecerá AJUSTAR PROG (PROG SET) 00:XX (xx es la cantidad total de las pistas). Seleccione la primera pista con los botones **Salto** > o < luego presione **PROGRAMAR/REPETIR (PROGRAM/REPEAT)**. Repita hasta agregar un máximo de 20 pistas a la memoria. Al finalizar, presione el botón **Reproducir/Pausar** ►|| (Play/Pause) para comenzar la reproducción.

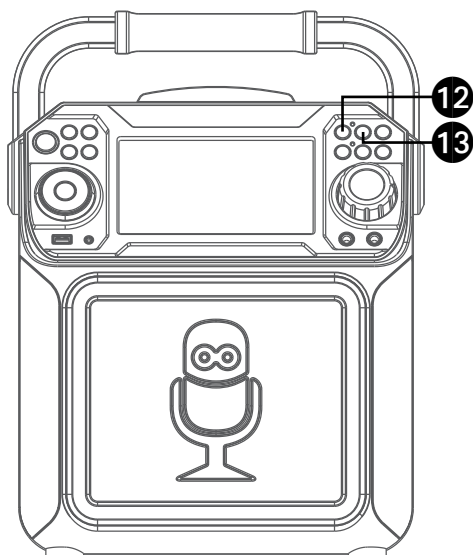
Notas:

- Oprima y mantenga presionado el botón **REPETIR/PROGRAMAR (REPEAT/PROG)** para detener y eliminar el programa.
- Si se intenta programar más de 20 pistas, aparecerá "FUL" en la pantalla.



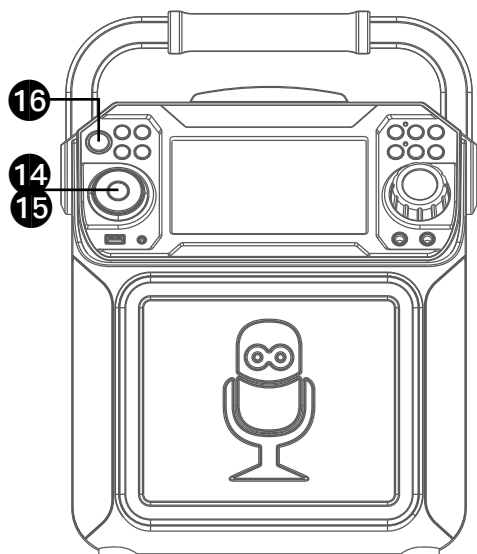
Funcionamiento

Reproducción de un CD (Continuó)



- 12 CÓMO GRABAR LO QUE CANTA:** Introduzca primero un dispositivo USB, luego presione el botón **GRABAR (REC)**; la canción comenzará de nuevo y se iniciará la grabación. El indicador de grabación se iluminará y quedará encendido. En la parte superior izquierda de la pantalla aparecerá REC con el progreso de la pista en forma de porcentaje. Cuando finalice de grabar, oprima nuevamente el botón **GRABAR (REC)** para detener la grabación. El indicador de grabación se apagará. Consulte "Reproducir canciones desde el USB" para reproducir sus archivos grabados guardados en el dispositivo flash USB.

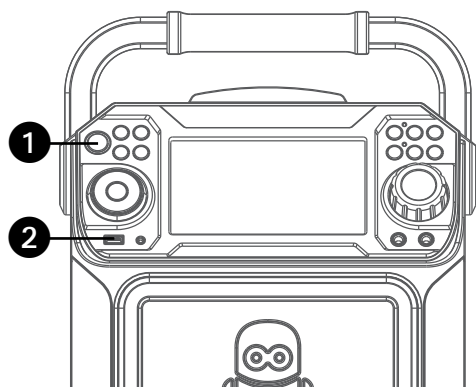
- 13 EFECTO DE SONIDO:** Repetidamente oprima los botones **EFFECTOS DE VOZ (VOICE EFFECTS)** para seleccionar entre los efectos vocales **ECO, FEMENINO, MASCULINO, ARDILLA, ROBOT o RADIO**. Seleccione **NINGUNO (NONE)** para cantar sin efectos de voz.



- 14 PAUSAR (PAUSE):** Durante la reproducción si desea pausar momentáneamente el disco oprima el botón **Reproducir/ Pausar (Play/Pause) ►||**. Oprima nuevamente para reanudar la reproducción normal.
- 15** Presione y mantenga presionado el botón **REPRODUCIR/PAUSAR (PLAY/PAUSE) ►||** para detener la reproducción.
- 16** Oprima el botón **ENCENDIDO/ APAGADO (ON/OFF) ⏻** para apagar la unidad. El indicador de Encendido (Power) se apagará.

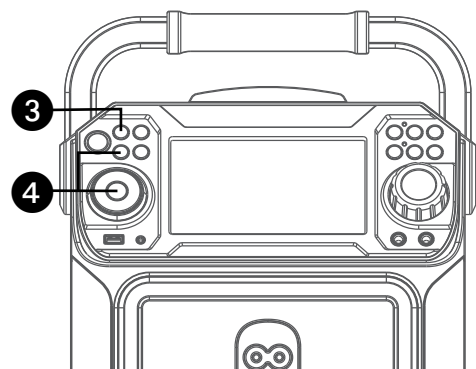
Funcionamiento

Reproducir canciones desde el USB



1 Conecte la unidad como se describió previamente. Oprima el botón de **Encendido/Apagado (ON/OFF)** para encender la unidad. El indicador de Encendido (Power) se iluminará y quedará encendido.

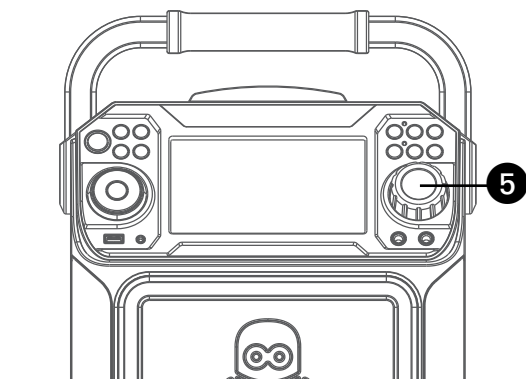
2 Introduzca un dispositivo flash USB en el puerto USB de la unidad de forma tal que esté hacia arriba. Asegúrese de descargar música de la tienda de karaoke.



3 Presione varias veces el botón **FUNCIÓN (FUNCTION)** para seleccionar el modo USB; aparecerá "LEER USB" (READ USB) cuando busque el dispositivo y después aparecerá la cantidad total de archivos..

4 Presione el botón **Reproducir/Pausar (Play/ Pause)** para comenzar la reproducción. Puede visualizar la imagen y letra de canciones en la pantalla si escucha un archivo CD+G. Oprima el botón de MONITOR para apagar la pantalla.

Nota: En la pantalla, las carpetas que contienen las grabaciones y las canciones aparecen a la izquierda y la lista de pistas de una carpeta seleccionada aparece a la derecha. Para navegar por estas carpetas consulte sección "Salto".

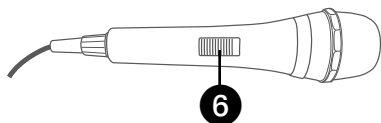


5 Ajuste el volumen a un nivel conveniente, usando el control de **VOLUMEN PRINCIPAL (MASTER VOLUME)**.

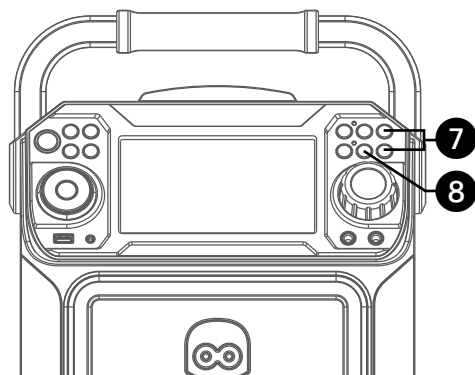
Nota: Si se conecta a un televisor u otra fuente de audio, ajuste el volumen del televisor con su propio control de volumen.

Funcionamiento

Reproducir canciones desde el USB (Continuó)



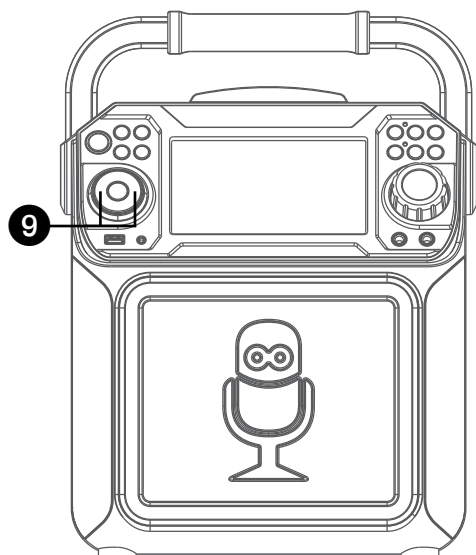
6 Conecte el/los micrófono/s. Ubique el interruptor de **ENCENDIDO/APAGADO (ON/OFF)** del Micrófono en la posición de ENCENDIDO (ON).



7 prima el botón **VOLUMEN DEL MICRÓFONO (MIC VOLUME)** \wedge o \vee para ajustar el volumen del micrófono según desee. Al aumentar el nivel de este control se incrementará el volumen de los dos micrófonos.

8 Puede activarse el control de **VOZ AUTOMÁTICO (AUTO VOICE CONTROL)** oprimiendo el botón **ENCENDIDO/APAGADO (ON/OFF)** del control de voz automático. Las voces presentes en una grabación multiplex se silencian apenas el cantante comienza a cantar en el micrófono. Cuando el cantante deje de cantar, las voces grabadas en la grabación multiplex volverán a la normalidad.

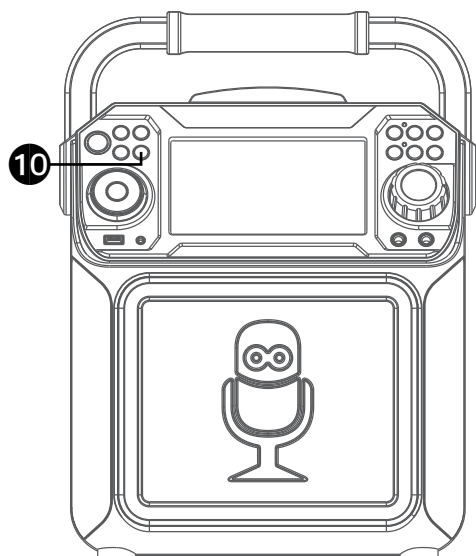
Nota: Esto sucede solamente con los archivos grabados con esta función multiplex.



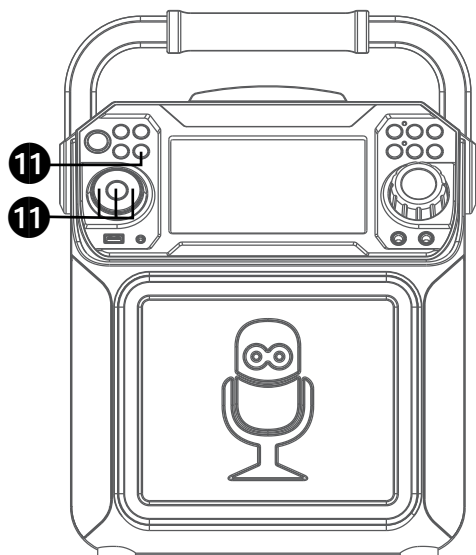
9 **SALTO:** Avance o retroceda un archivo presionando los botones **Salto** $>$ o $<$.
BÚSQUEDA: Cuando reproduzca cualquier audio del dispositivo USB, mantenga oprimido **Salto** $>$ o $<$. El puerto USB buscará a alta velocidad en dirección hacia adelante o hacia atrás. La reproducción normal continuará cuando suelte el botón. Durante el modo Detener (Stop), también puede seleccionar un archivo con los botones **Salto** $>$ o $<$ para navegar hacia arriba o hacia abajo y los botones $>$ o $<$ para deslizarse hacia la izquierda o derecha. La música grabada estará en la carpeta con la etiqueta REC.

Funcionamiento

Reproducir canciones desde el USB (Continuó)



10 FUNCIÓN REPETIR: Para repetir la pista actual, oprima una vez **PROGRAMAR/REPETIR (PROGRAM/REPEAT)** durante la reproducción; en la pantalla aparecerá **↺1** y se repetirá la pista actual. Oprima dos veces el botón **PROGRAMAR/REPETIR (PROGRAM/REPEAT)**; aparecerá **↺2** y se repetirán de forma continua todas las pistas MP3 dentro de la carpeta actual. Para repetir todas las pistas, oprima nuevamente **PROGRAMAR/REPETIR (PROGRAM/REPEAT)**; aparecerá **↺A**. Oprima otra vez para cancelar la función Repetir (Repeat); aparecerá **↺X**.



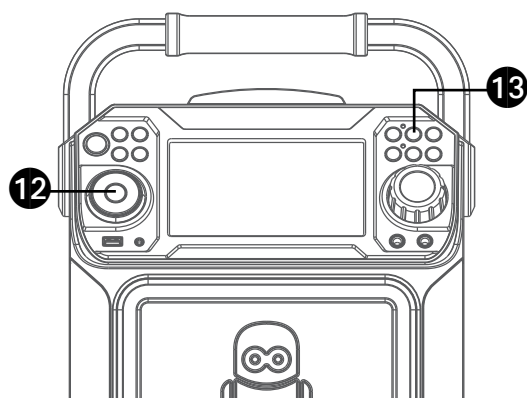
11 FUNCIÓN PROGRAMAR: Puede programar hasta 20 pistas para reproducir en cualquier orden deseado. En el modo Detener, oprima el botón **PROGRAMAR/REPETIR (PROGRAM/REPEAT)**; en la pantalla aparecerá AJUSTAR PROG (PROG SET) 00:XX (xx es la cantidad total de las pistas). Seleccione la primera pista con los botones **Salto >** o **<**, luego presione **PROGRAMAR/REPETIR (PROGRAM/REPEAT)**. Repita hasta agregar un máximo de 20 pistas a la memoria. Al finalizar, presione el botón **Reproducir/Pausar (Play/Pause) ▶||** para comenzar la reproducción.

Notas:

- Oprima y mantenga presionado el botón **REPETIR/PROGRAMAR (REPEAT/PROG)** para detener y eliminar el programa.
- Si se intenta programar más de 20 pistas, aparecerá "FUL" en la pantalla.

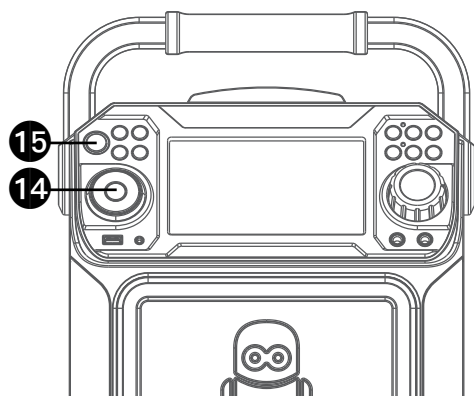
Funcionamiento

Reproducir canciones desde el USB (Continuó)



12 PAUSAR (PAUSE): Durante la reproducción si desea pausar momentáneamente el disco oprima el botón **Reproducir/ Pausar (Play/ Pause) ▶||**. Oprima nuevamente para reanudar la reproducción normal.

13 EFECTO DE SONIDO: Repetidamente oprima los botones **EFECTOS DE VOZ (VOICE EFFECTS)** para seleccionar entre los efectos vocales ECO, FEMENINO, MASCULINO, ARDILLA, ROBOT o RADIO. Seleccione **NINGUNO (NONE)** para cantar sin efectos de voz.

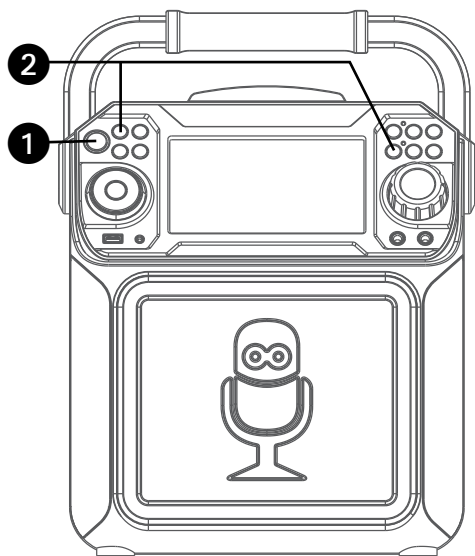




14 Presione y mantenga presionado el botón **REPRODUCIR/PAUSAR (PLAY/PAUSE) ▶||** para detener la reproducción.


15 Oprima el botón **ENCENDIDO/ APAGADO (ON/OFF) ⏻** para apagar la unidad. El indicador de Encendido (Power) se apagará.

Funcionamiento

Utilizar un dispositivo Bluetooth



- 1 Conecte la unidad como se describió previamente. Oprima el botón de **Encendido/Apagado (ON/OFF)**  para encender la unidad. El indicador de Encendido (Power) se iluminará y quedará encendido.
- 2 Oprima el botón  o varias veces **FUNCIÓN (FUNCTION)** para seleccionar Bluetooth; "BLUETOOTH" aparecerá en la pantalla. La pantalla mostrará que su dispositivo con Bluetooth está listo para conectarse mediante un sonido de notificación. Si hay un dispositivo previamente emparejado cerca, la unidad se conectará con él automáticamente con un sonido de emparejamiento exitoso. Si no hay dispositivos previamente emparejados presentes, realice la conexión como se muestra en el siguiente paso.

Nota: También puede oprimir  para desconectar los dispositivos emparejados y emparejar uno nuevo.

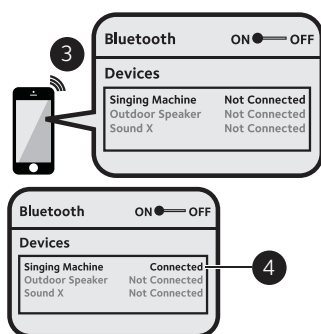
- 3 Encienda la opción Bluetooth en su dispositivo, desde el menú de configuración para buscar un dispositivo reconocible con señal Bluetooth. Seleccione "Singing Machine" en los resultados del dispositivo en el menú de Bluetooth.

Nota: También consulte el manual de usuario de su dispositivo con Bluetooth para más instrucciones.

- 4 La pantalla mostrará que su dispositivo con Bluetooth está exitosamente conectado seguido de un sonido de emparejamiento.

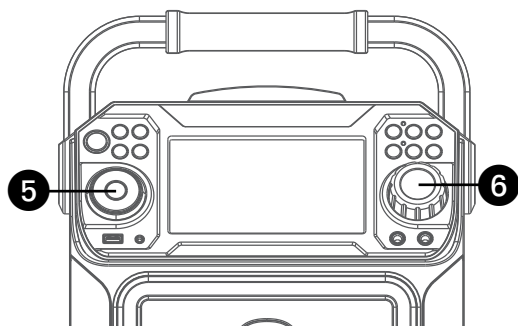
Notas:

- Si su dispositivo con Bluetooth le pide un código durante el proceso de emparejamiento, ingrese "0000" para conectarse.
- En algunos dispositivos con Bluetooth, una vez finalizado el emparejamiento, elija su dispositivo con Bluetooth como "Usar como dispositivo de audio" o similar.
- Si la conexión se pierde luego de un emparejamiento exitoso, verifique que la distancia entre el altavoz y el dispositivo con Bluetooth no supera los 30 pies/10 metros.



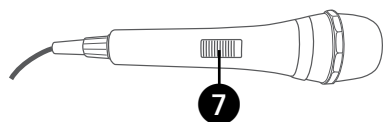
Funcionamiento

Utilizar un dispositivo Bluetooth (Continuó)

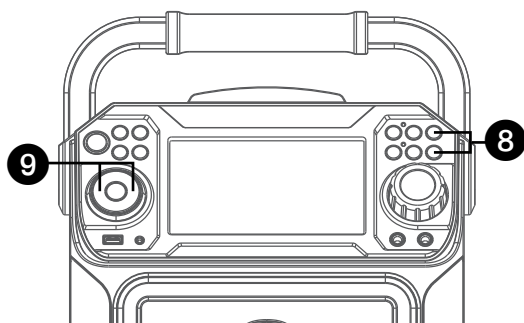


- 5 Para controlar su dispositivo con Bluetooth desde esta unidad, oprima **REPRODUCIR/PAUSAR (PLAY/PAUSE) ▶||** para comenzar la reproducción (la aplicación de música debe estar abierta). Presione **REPRODUCIR/PAUSAR (PLAY/PAUSE) ▶||** durante la reproducción para pausar la canción.

- 6 Ajuste el volumen a un nivel conveniente, usando el control de **VOLUMEN PRINCIPAL (MASTER VOLUME)**.



- 7 Conecte el/los micrófono/s. Ubique el interruptor de **ENCENDIDO/APAGADO (ON/OFF)** del Micrófono en la posición de ENCENDIDO (ON).

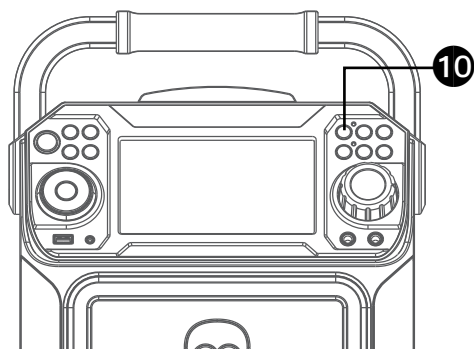


- 8 Oprima el botón **VOLUMEN DEL MICRÓFONO (MIC VOLUME) ^** o **v** para ajustar el volumen del micrófono según desee. Al aumentar el nivel de este control se incrementará el volumen de los dos micrófonos.

- 9 **SALTO:** Avance o retroceda un archivo presionando los botones **Salto >** o **<**.

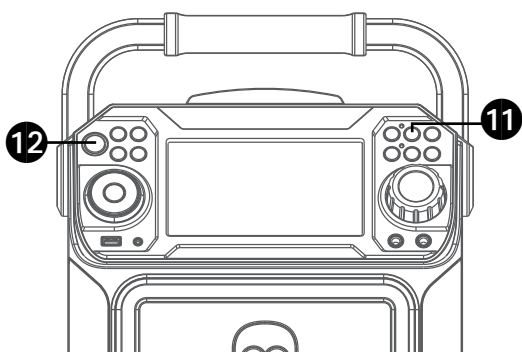
Funcionamiento

Utilizar un dispositivo Bluetooth (Continuó)




- 10 CÓMO GRABAR LO QUE CANTA:** Introduzca primero un dispositivo USB, luego presione el botón **GRABAR (REC)**; la canción comenzará de nuevo y se iniciará la grabación. El indicador de grabación se iluminará y quedará encendido. En la parte superior izquierda de la pantalla aparecerá REC con el progreso de la pista en forma de porcentaje. Cuando finalice de grabar, oprima nuevamente el botón **GRABAR (REC)** para detener la grabación. El indicador de grabación se apagará.

Consulte “**Reproducir canciones desde el USB**” para reproducir sus archivos grabados guardados en el dispositivo flash USB.

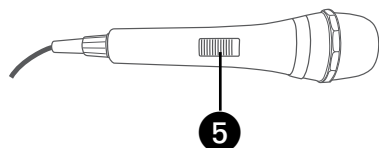
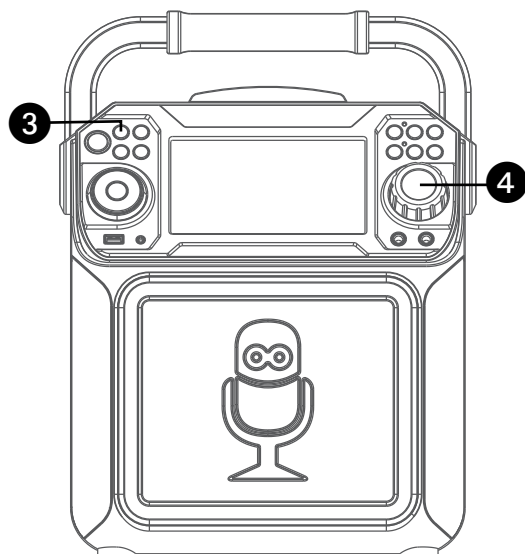
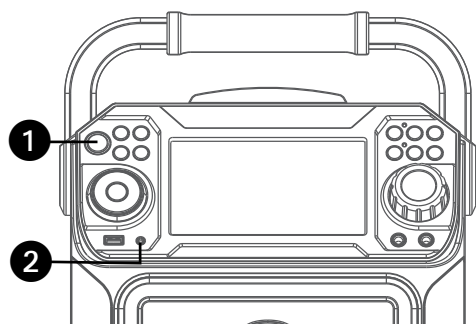


- 11 EFECTO DE SONIDO:** Repetidamente oprima los botones **EFFECTOS DE VOZ (VOICE EFFECTS)** para seleccionar entre los efectos vocales ECO, FEMENINO, MASCULINO, ARDILLA, ROBOT o RADIO. Seleccione **NINGUNO (NONE)** para cantar sin efectos de voz.

- 12** Oprima **ENCENDIDO/APAGADO (ON/OFF)**  para apagar la unidad. El indicador de Encendido (Power) se apagará.

Funcionamiento

Uso del conector de ENTRADA de Aux



1 Conecte la unidad como se describió previamente. Oprima el botón de **Encendido/Apagado (ON/OFF)** para encender la unidad. El indicador de Encendido (Power) se iluminará y quedará encendido.

2 Conecte la unidad externa al conector de ENTRADA DE AUX en la parte de adelante de esta unidad. Conectar una unidad externa permitirá reproducir audio a través de su Singing Machine.

Notas:

- Se recomienda que configure el volumen en la unidad auxiliar a 1/3 o menos para evitar distorsiones.
- No es posible saltar archivos o pistas cuando se usa un dispositivo externo.

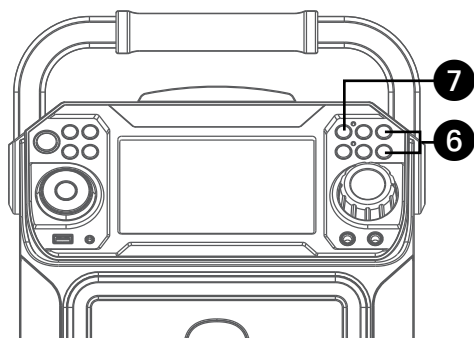
3 Oprima varias veces **FUNCIÓN (FUNCTION)** para seleccionar el modo de Entrada de línea; "ENTRADA DE LÍNEA" ("LINE IN") aparecerá en la pantalla.

4 Ajuste el volumen con el control de **VOLUMEN PRINCIPAL (MASTER VOLUME)** de esta unidad o con el control de volumen del dispositivo externo.

5 Conecte el/los micrófono/s. Ubique el interruptor de **ENCENDIDO/APAGADO (ON/OFF)** del Micrófono en la posición de ENCENDIDO (ON).

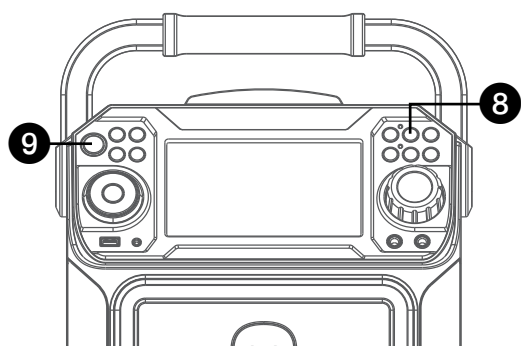
Funcionamiento

Uso del conector de ENTRADA de Aux (Continuó)



6 Oprima el botón **VOLUMEN DEL MICRÓFONO (MIC VOLUME)** \wedge o \vee para ajustar el volumen del micrófono según desee. Al aumentar el nivel de este control se incrementará el volumen de los dos micrófonos.

7 **CÓMO GRABAR LO QUE CANTA:** Introduzca primero un dispositivo USB, luego presione el botón **GRABAR (REC)**; la canción comenzará de nuevo y se iniciará la grabación. El indicador de grabación se iluminará y quedará encendido. En la parte superior izquierda de la pantalla aparecerá REC con el progreso de la pista en forma de porcentaje. Cuando finalice de grabar, oprima nuevamente el botón **GRABAR (REC)** para detener la grabación. El indicador de grabación se apagará. Consulte "Reproducir canciones desde el USB" para reproducir sus archivos grabados guardados en el dispositivo flash USB.



8 **EFFECTO DE SONIDO:** Repetidamente oprima los botones **EFFECTOS DE VOZ (VOICE EFFECTS)** para seleccionar entre los efectos vocales ECO, FEMENINO, MASCULINO, ARDILLA, ROBOT o RADIO. Seleccione **NINGUNO (NONE)** para cantar sin efectos de voz.

9 Oprima **ENCENDIDO/APAGADO (ON/OFF)** \cup para apagar la unidad. El indicador de Encendido (Power) se apagará.

Funcionamiento

Dónde descargar archivos MP3+G

Recomendaciones útiles:

Los archivos .mp3 y .cdg. se entregan para descargarse en un único archivo, comprimido MP3 +G.zip. El archivo MP3+G no se puede reproducir como un archivo .zip en un dispositivo flash USB. Para reproducir canciones de karaoke utilizando un dispositivo flash USB, el archivo MP3+G.zip se debe descomprimir de la siguiente manera:

- Conecte un dispositivo flash USB a su computadora
- Descargue el archivo MP3+G de su casillero digital y guarde el archivo .zip* en una carpeta en su computadora.
- Haga doble clic en el archivo .zip para abrirlo (visualizará los archivos .mp3 y .cdg).
- Arrastre los archivos .mp3 y .cdg al dispositivo flash USB.
- Quite (expulse) el dispositivo flash USB de su computadora.

Encienda el Singing Machine y conecte el dispositivo flash USB.

PREGUNTAS FRECUENTES

¿Dónde puedo obtener ayuda adicional con los formatos de archivo?

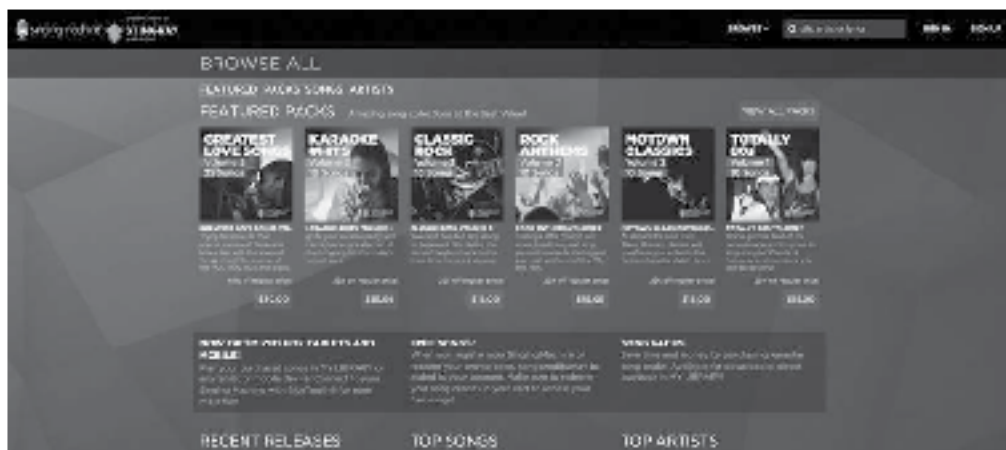
Visite <http://singingmachine.com/smcmusic/> para recibir recursos adicionales sobre el tipo correcto de FORMATO DE ARCHIVO para su sistema.

Nota: Sus canciones descargadas también se pueden grabar en un CDR/CDRW.

Para adquirir y descargar música de Karaoke visite <http://store.singingmachine.com> y acceda a más de 13,000 de sus canciones favoritas para karaoke. Necesitará un dispositivo flash USB (no incluido) para transferir las descargas a esta unidad.

Siga estos sencillos pasos:


- 1 Ingrese en <http://store.singingmachine.com> con su navegador de Internet y regístrese.
- 2 Seleccione y adquiera su música de karaoke favorita de la Tienda de descargas de Singing Machine.
- 3 Descargue su compra seleccionada del Singing Machine Digital Locker a su dispositivo flash USB.
- 4 Introduzca el dispositivo flash USB como se muestra en la página S12 y ¡disfrute!



Guía de Resolución de Problemas

Si esta unidad presentara un problema, lea el siguiente cuadro antes de llamar al servicio técnico:

No hay energía

- La unidad no está encendida; oprima el botón **ENCENDIDO/ EN ESPERA (ON/OFF)**  para encenderla.
- Verifique que el adaptador de CA esté conectado de forma segura en la parte trasera de la unidad.
- Conecte la unidad a otro tomacorriente.

No hay sonido (General)

- Volumen principal (Master Volume) está en mínimo: suba el volumen.
- No se seleccionó la Función correcta, seleccione con el botón **FUNCIÓN (FUNCTION)**.
- Si utiliza un dispositivo externo, suba el volumen.

No hay sonido – si está conectado a un televisor

- El volumen del televisor está silenciado o demasiado bajo.
- No se seleccionó la fuente correcta (generalmente AV) en el menú del televisor.


No hay sonido desde el micrófono

- Asegúrese de que está firmemente conectado a la entrada para el MICRÓFONO 1 o 2.
- Asegúrese de que el interruptor de **ENCENDIDO/APAGADO (ON/OFF)** del micrófono se encuentre en la posición ENCENDIDO (ON).
- Asegúrese de que el control de **VOLUMEN DEL MICRÓFONO (MIC VOLUME)** no esté en su configuración más baja.
- **EI VOLUMEN PRINCIPAL (MASTER VOLUME)** está fijado en mínimo: suba el volumen.

No se reproducen los archivos en la entrada de USB

- El archivo está dañado; reemplácelo.
- El archivo no está en un formato que esta unidad pueda reproducir.
- El producto no admite el dispositivo de USB conectado.

El dispositivo Bluetooth no se puede configurar o conectar con la unidad

- Asegúrese de que los otros dispositivos con Bluetooth estén apagados para evitar el emparejamiento accidental.
- No ha activado la función Bluetooth de su dispositivo; ver la página S16 o consultar el manual de usuario del dispositivo Bluetooth.
- La unidad no está en modo de emparejamiento; presione el botón  para reiniciar el emparejamiento.

La reproducción de la música no está disponible en la unidad luego de conectar de manera exitosa el Bluetooth

- Asegúrese de que su dispositivo Bluetooth es compatible con el perfil Bluetooth A2DP.
- El volumen del dispositivo externo con Bluetooth está bajo o en silencio; súbalo según lo deseado.

La unidad no graba

- No se introdujo dispositivo USB o el dispositivo USB está lleno. Mueva todas las grabaciones a su computadora para hacer espacio.

Especificaciones

AUDIO

Potencia De Salida	15 Watts (Rms)
Impedancia De Salida	4 Ohms

REPRODUCTOR DE CD

Respuesta De Frecuencia	100Hz - 20kHz
Proporción De Señal Y Ruido	50Db
Number of Programs	Programación de acceso aleatorio de 20 pasos

BLUETOOTH

Version Bluetooth.....	V4.2
Distancia De Trabajo	Hasta 10 Metros Medidos En Espacio Abierto

USB

Formato.....	FAT32
Compatibilidad máxima.....	32GB


GENERAL

Energía	DC12V 2A Positive Center
Dimensiones - Unidad principal	13.0 x 9.1 x 17.04 in. (33.0 x 23.0 x 43.1cm)
Peso - Unidad principa	8.7Lbs (4.0kgs)
Micrófono	Impedancia con micrófono dinámico -74 db 600 Ohm con 6.3 mm
Entrada auxiliar (Aux In)	conector estéreo de 3,5mm

Las Especificaciones Están Sujetas A Cambios Sin Previo Aviso.

El nombre de la marca Bluetooth® y los logotipos son marcas registradas propiedad de Bluetooth SIG, Inc., y todo uso que The Singing Machine Company haga de dichas marcas es en virtud de una licencia. Otras marcas registradas y comerciales pertenecen a sus respectivos titulares.

Mises en Garde

	Mises en Garde RISQUE DE CHOC ÉLECTRIQUE NE PAS OUVRIR	
MISE EN GARDE: AFIN DE RÉDUIRE LE RISQUE D'ÉLECTROCUTION, NE PAS RETIRER LE COUVERCLE (OU LE DOS DU BOÎTIER). AUCUNE PIÈCE POUVANT ÊTRE RÉPARÉE PAR L'UTILISATEUR NE SE TROUVE À L'INTÉRIEUR. POUR TOUTE RÉPARATION, CONTACTER UN TECHNICIEN COMPÉTENT. La mention Mise en garde se trouve sur le panneau inférieur.		



TENSION DANGEREUSE: Le symbole de l'éclair dans un triangle équilatéral a pour but d'avertir l'utilisateur du danger présenté par des pièces non isolées à l'intérieur de l'appareil, dont la tension est suffisante pour provoquer des décharges électriques dangereuses.



ATTENTION: Le point d'exclamation à l'intérieur d'un triangle équilatéral a pour but d'avertir l'utilisateur de la présence de consignes importantes sur le fonctionnement et l'entretien (réparation) de l'appareil dans la documentation accompagnant ce produit.

AVERTISSEMENT D'ÉGOUTTEMENT: Ce produit ne doit pas être exposé à l'égouttement ni aux éclaboussures et aucun objet rempli de liquide, tel qu'un vase, ne doit être placé sur le produit.

AVERTISSEMENT D'AÉRATION: L'aération normale du produit ne doit pas être entravée pour l'usage prévu.

CE PRODUIT EST CONFORME AUX RÉGLEMENTATIONS DHHS 21 CFR CHAPITRE 1, SOUS-CHAPITRE J APPLICABLES À LA DATE DE FABRICATION.

Mise en garde :

- Ce lecteur de CD est muni d'un faisceau de lumière au laser. Seul un technicien qualifié devrait retirer le couvercle et tenter toute réparation ou entretien sur cet appareil afin d'éviter tout risque de blessure aux yeux.
- L'utilisation de commandes, de réglages ou de procédures autre que ceux spécifiés dans le présent document peut causer un risque d'exposition aux radiations.
- Cet appareil doit être utilisé dans un endroit aéré.

ATTENTION!

Vous risquez d'être exposé à un rayonnement laser dangereux et invisible en ouvrant ce produit et en désactivant ou rendant inopérant le dispositif de verrouillage. Évitez toute exposition directe au faisceau.

AVERTISSEMENT: AFIN D'ENRAVER TOUT RISQUE D'ÉLECTROCUTION OU D'INCENDIE, NE PAS EXPOSER CET APPAREIL À LA PLUIE OU À L'HUMIDITÉ.

MISE EN GARDE DE LA FCC: Cet appareil peut générer ou utiliser des fréquences radio. Les modifications ou changements peuvent causer des interférences nuisibles, à moins que ces modifications ne soient approuvées expressément dans ce mode d'emploi. L'utilisateur pourrait perdre l'autorité de faire fonctionner cet équipement en cas de modification non autorisée.

Cet appareil répond aux exigences de l'alinéa 15 des réglementations FCC. Son utilisation est soumise aux deux conditions suivantes : 1) Cet appareil ne peut pas causer d'interférence nuisible et 2) Cet appareil doit accepter toute interférence reçue, incluant les interférences qui pourraient affecter son fonctionnement.

REMARQUE: Suite aux tests effectués, il est établi que cet appareil numérique de Classe B répond aux exigences de l'alinéa 15 des réglementations FCC. Ces normes sont élaborées pour vous protéger contre toute interférence nuisible en installation résidentielle. Cet appareil génère, utilise et peut émettre des fréquences radio. Par conséquent, s'il n'est pas installé et utilisé en suivant les instructions, il peut causer des interférences nuisibles aux communications radio. Cependant, aucune garantie n'est donnée concernant la possibilité d'interférence avec une installation spécifique. Si une interférence se produisait en réception radio et/ou de télédiffusion, lors de l'activation et la désactivation de l'appareil, nous vous recommandons :

- Réorientez ou déplacez l'antenne de réception.
- Éloignez l'appareil du récepteur.
- Branchez l'appareil à une prise de courant différente de celle utilisée par le récepteur.
- En cas de problème, contactez le vendeur ou un technicien spécialisé en réception radio/TV.
- L'information est située en dessous de la machine.

INDUSTRY CANADA NOTICE:

Cet appareil est conforme avec Industrie Canada exempts de licence standard RSS (s). Son fonctionnement est soumis aux deux conditions suivantes :

1. Cet appareil ne doit pas provoquer d'interférences.
2. Cet appareil doit accepter toute interférence, y compris celles pouvant causer un mauvais fonctionnement de l'appareil

CAN ICES-3(B)/NMB-3(B)

Renseignements Importants de Sécurité

1. Lisez ces instructions.
2. Conservez ces instructions.
3. Respectez toutes les mises en garde.
4. Suivez toutes les consignes.
5. N'utilisez pas cet appareil à proximité de l'eau.
6. Nettoyez l'appareil uniquement avec un chiffon sec.
7. Ne bloquez pas les ouvertures d'aération. Installez conformément selon les consignes du fabricant.
8. N'installez pas à proximité de sources de chaleur telles que les radiateurs, registres d'air chaud, cuisinières, ou autres appareils (notamment des amplificateurs) produisant de la chaleur.
9. Ne n'utilisez pas à la fonction de sécurité de la fiche polarisée ou de mise à la terre. Une fiche polarisée est dotée de deux broches dont l'une est plus large que l'autre. Une fiche de mise à la terre est dotée de deux broches et d'une troisième broche de mise à la terre. La broche la plus large ou la troisième broche est conçue pour votre sécurité. Lorsque la broche fournie ne convient pas à la prise, consultez un électricien afin de remplacer la prise désuète.
10. Protégez le cordon d'alimentation afin que personne ne marche dessus ou le pince, particulièrement au niveau des broches, de la prise et du point où ils sortent de l'appareil.
11. Utilisez seulement les accessoires spécifiés par le fabricant.
12. Utilisez seulement avec un chariot, une sellette, un trépied, un

support ou une table. Lorsqu'un chariot est utilisé, prenez garde de ne pas déplacer la combinaison chariot/appareil pour éviter toute blessure causée par un renversement.

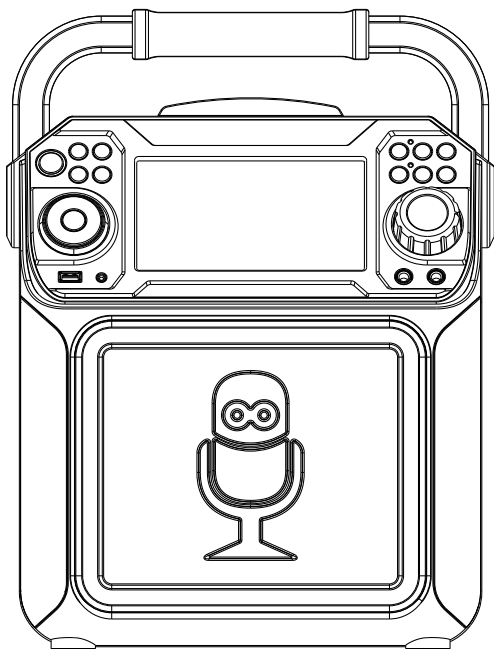
13. Débranchez cet appareil durant un orage ou lorsqu'il n'est pas utilisé pendant de longues périodes.
14. Confiez toutes les réparations à un technicien compétent. La réparation s'avère nécessaire lorsque l'appareil a été endommagé, par exemple, si le cordon d'alimentation ou la fiche a été endommagé, du liquide a été renversé ou des objets sont tombés dans l'appareil, ou si l'appareil a été exposé à la pluie ou à l'humidité, ne fonctionne pas normalement, ou a été échappé.
15. **AVERTISSEMENT :** Pour réduire le risque d'électrocution, évitez d'exposer l'appareil à la pluie ou à l'humidité. Ne déposez pas d'objets remplis d'eau, tels qu'un vase, sur l'appareil.
16. La fiche de secteur c.a. est utilisée pour débrancher l'appareil et doit être facilement accessible et utilisable durant l'usage prévu. Afin de couper complètement l'alimentation de l'appareil, la fiche de secteur doit être complètement débranchée de la prise c.a.
17. **MISE EN GARDE :** Afin de réduire le risque d'incendie ou d'explosion, n'exposez pas les piles à une source de chaleur excessive telle que le soleil, le feu ou autre.

AVERTISSEMENT RELATIF AU CHARIOT PORTATIF
(Symbole fourni par RETAC)

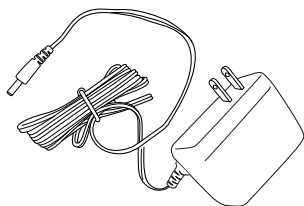


Contenu

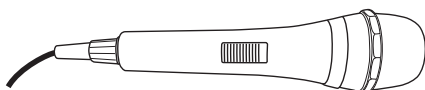
Vérifiez si tous les articles suivants sont compris.



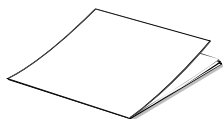
Unité principale



Adaptateur CA



Microphone avec câble

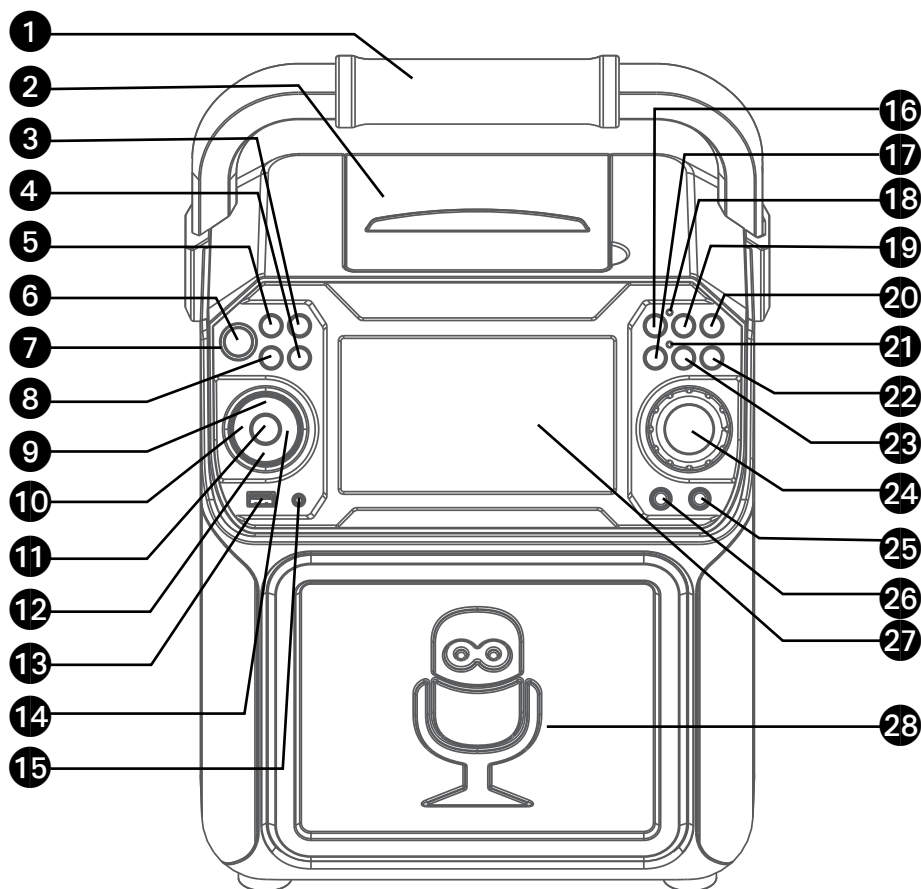


Mode D'Emploi



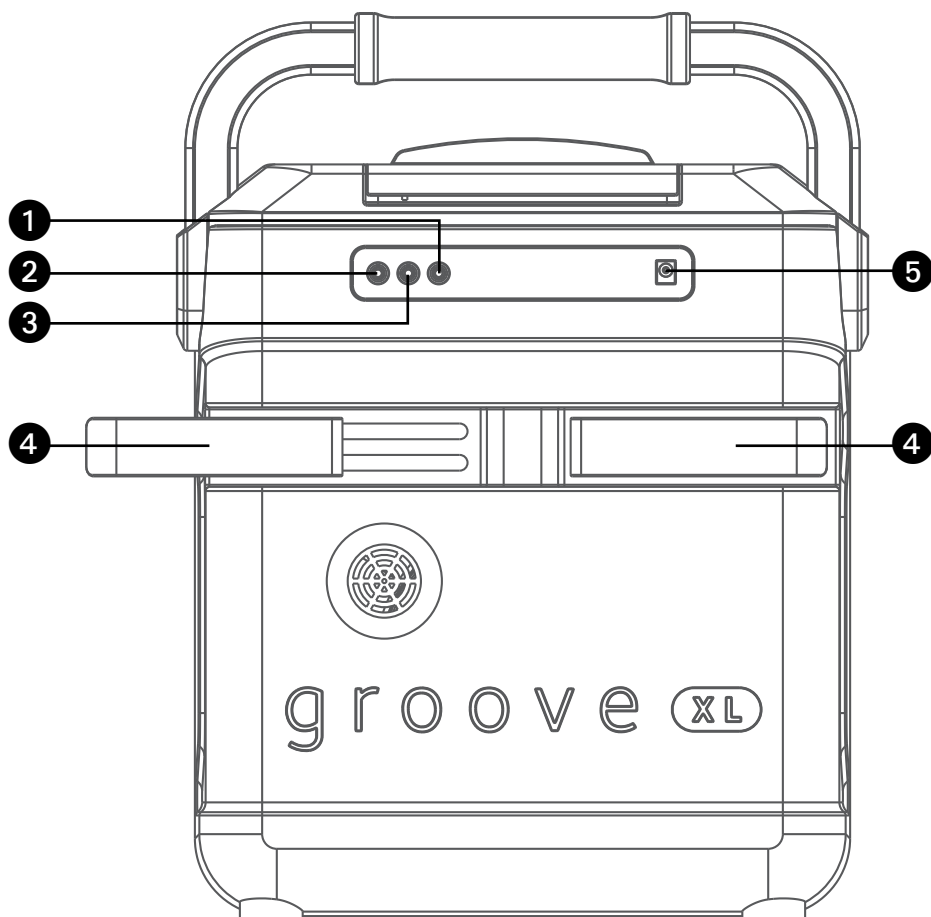
Câble Audio/Vidéo

Emplacement des commandes (dessus/devant)



- | | | |
|--|---|---|
| 1. Poignée | Saut < | 20. Touche VOLUME MICRO (MIC VOLUME) ^ |
| 2. Compartiment de CD | 11. Touche LECTURE/PAUSE (PLAY/PAUSE) ► | 21. Témoin Bluetooth |
| 3. Touche LUMIÈRE (LIGHT) | 12. Touche Navigation v | 22. Touche VOLUME MICRO (MIC VOLUME) v |
| 4. Touche RÉPÉTER/PROG (REPEAT/PROG) | 13. Port USB | 23. Touche Contrôle automatique de la voix (Auto Voice Control) |
| 5. Touche FONCTION (FUNCTION) | 14. Touche Navigation > / Saut > | 24. Commande VOLUME PRINCIPAL (MASTER VOLUME) |
| 6. Touche MARCHÉ/ARRÊT (ON/OFF) | 15. Prise d'entrée AUX IN | 25. Prise MIC 2 |
| 7. Témoin d'alimentation | 16. Touche ENREGISTREMENT (RECORD) | 26. Prise MIC 1 |
| 8. Touche MONITEUR MARCHÉ/ARRÊT (ON/OFF) | 17. Touche Bluetooth | 27. Écran |
| 9. Touche Navigation ^ | 18. Témoin Enregistrement | 28. Haut-parleur |
| 10. Touche Navigation < / | 19. Touche EFFET VOCAL (VOICE EFFECT) | |

Emplacement des commandes (arrière)

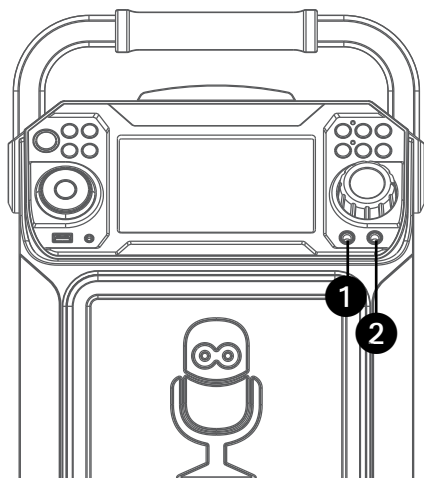


1. Prise AUDIO OUT (gauche)
2. Prise VIDÉO OUT
3. Prise AUDIO OUT (droit)

4. Supports de micro extensibles
5. Prise DC IN

Branchement

Connexion des microphones

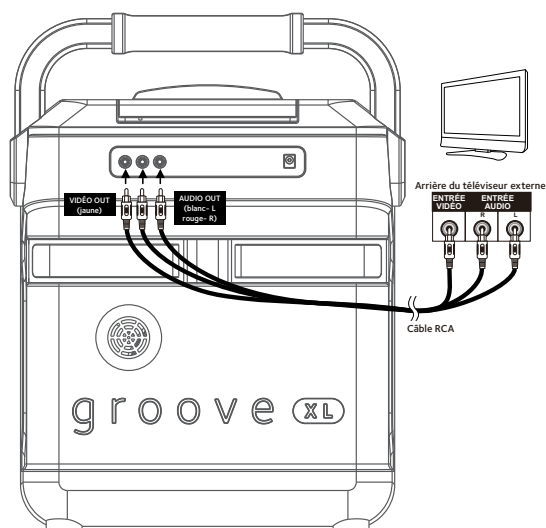


Microphones:

Connectez le microphone à une prise MIC 1 **1** et à une prise MIC 2 **2** (lorsque souhaité) Situé sur le côté de l'appareil.

Remarque: Ne pas échapper le microphone car cela peut causer des dommages ainsi qu'aux haut-parleurs. Ne pas faire virevolter le microphone par la cordon car cela peut endommager le câblage encastré.

Connexion de l'unité à un téléviseur



Pour sortir des données vidéo, des paroles de chansons et le son de votre téléviseur, veuillez suivre les étapes suivantes:

Connectez le câble vidéo RCA (jaune) à la prise VIDÉO OUT et les câbles audio (blanc et rouge) aux prises AUDIO OUT situés à l'arrière du Singing Machine.

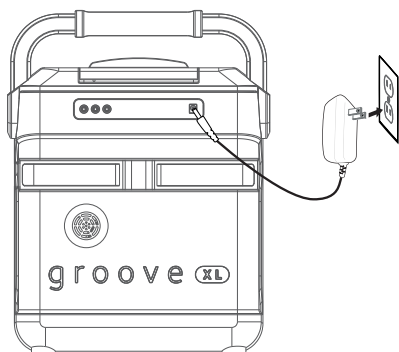
Connectez l'autre extrémité du câble vidéo RCA (jaune) à la prise VIDÉO IN et les câbles audio (blanc et rouge) aux prises AUDIO IN situés sur votre téléviseur.

Remarques:

- Cet appareil peut être utilisé avec ou sans un téléviseur.
- Référez-vous également au guide de l'utilisateur de votre téléviseur.
- Pour voir les paroles sur l'écran, vous devez utiliser un disque CD + G ou fichiers MP3 + G.
- Les câbles audio/vidéo sont inclus.

Branchement

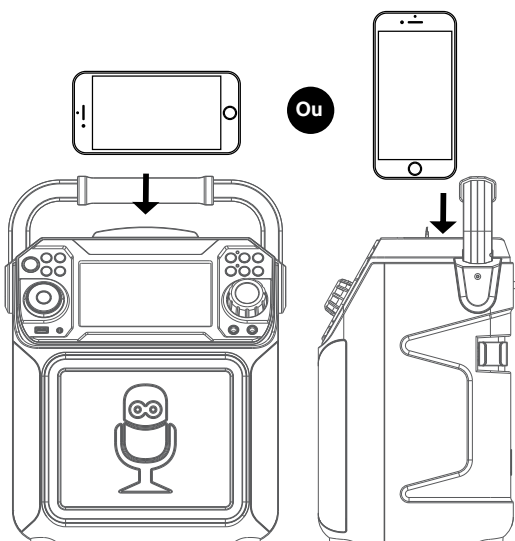
Raccordement à l'alimentation CA



Connectez la petite extrémité de l'adaptateur CA à la Prise DC IN située à l'arrière de l'appareil. Connectez l'autre extrémité (avec les 2 lames) à une prise de courant CA (120V CA, 60 Hz) située à proximité.

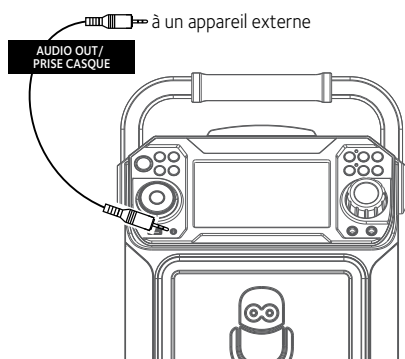
Remarque: Effectuer toutes les connexions avant de brancher le cordon d'alimentation.

SUPPORT



Branchement

Connexion à une prise AUX

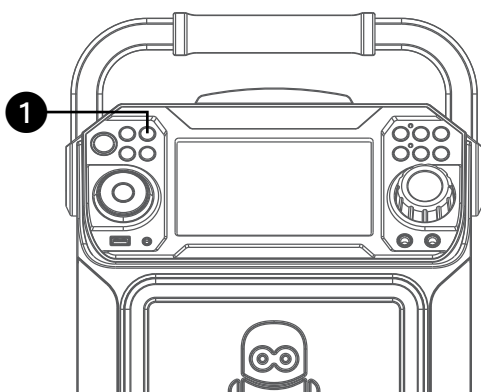


Raccordez simplement votre appareil externe en utilisant un câble audio approprié (câble audio 3,5 mm non inclus) tel qu'illustré.

Remarque:

Voir la page F19 pour sélectionner et utiliser la fonction AUX.

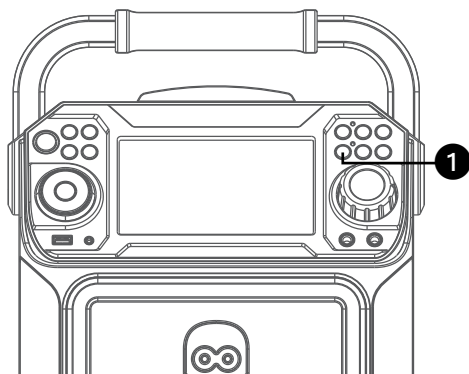
Lumières Disco



Lorsque l'appareil est mis en marche, le mode Lumière 1 est automatiquement activé. Les lumières s'allument et sont synchronisées avec le son lorsque vous parlez ou chantez dans le microphone.

Appuyez sur la touche **LUMIÈRE** pour le mode Lumière 2, qui affiche le spectacle de lumière, mais ne répond pas au microphone. Appuyez de nouveau sur la touche **LUMIÈRE** pour éteindre les lumières.

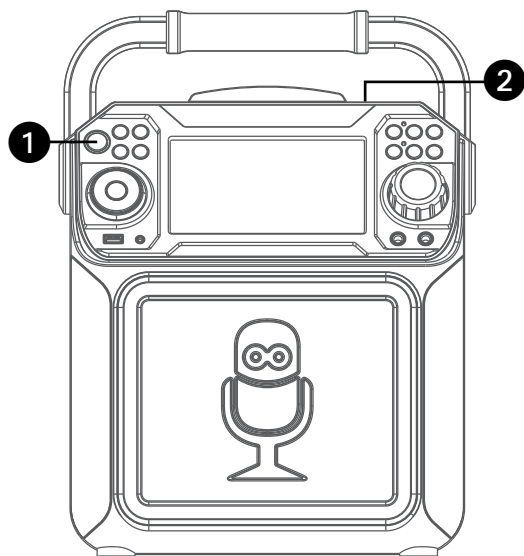
Mode Bluetooth




Appuyez sur la touche  pour régler facilement l'appareil en mode de jumelage.

Utilisation

Lecture d'un CD



1 Raccordez l'appareil de la manière décrite précédemment. Appuyez sur la touche **MARCHE/ARRÊT**  pour allumer l'appareil. Le témoin d'alimentation s'allumera.

2 Soulevez la porte de CD et insérez un CD (fichiers standards ou MP3+G) ou un CD+G en appuyant doucement sur l'axe central. Fermez ensuite la porte du CD.

Remarques :

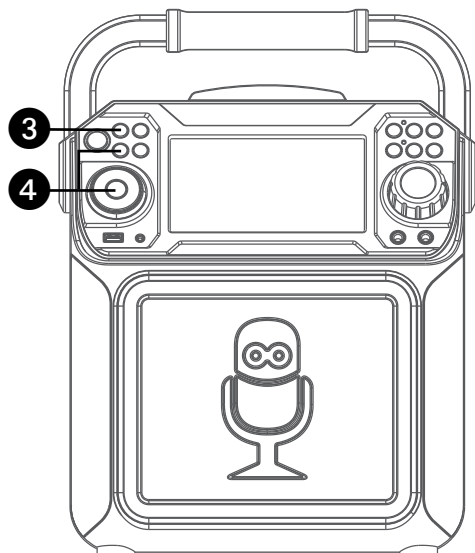
• Qu'est-ce que le CD+G?

A CD+G (CD graphiques) est le format standard pour la plupart des disques de karaoké qui affichent les paroles à l'écran.


• Qu'est-ce qu'un MP3+G?

Le fichier MP3+G est un nouveau format de fichier de musique karaoké utilisant des fichiers MP3 de petite taille. Il affichera les paroles à l'écran. Voir la page F19 pour commander et télécharger des fichiers MP3+G.

- Ne placer aucun objet autre qu'un CD dans le compartiment car les objets étrangers peuvent endommager l'appareil.
- Si aucun disque n'est inséré, la mention « AUCUN DISQUE » s'affiche à l'écran.
- Si connecté à un téléviseur ou à une autre source audio, réglez le volume du téléviseur en utilisant sa propre commande de volume.

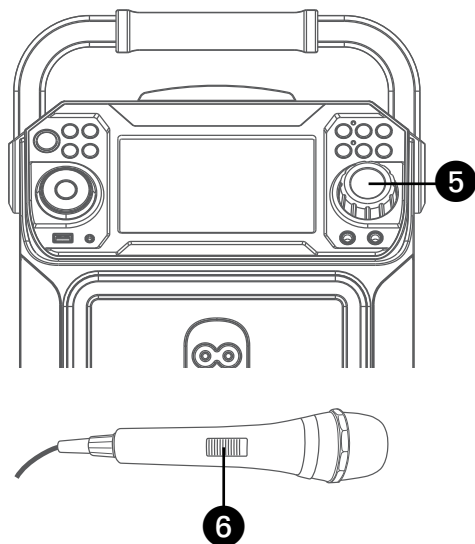


3 Appuyez plusieurs fois sur la touche **FUNCTION (FUNCTION)** pour sélectionner le mode CDG/CD; la mention « LIRE » (READ) s'affiche lors de la recherche sur le disque et ensuite, le nombre de pistes s'affichera.

4 Appuyez sur la touche **Lire/Pause**  pour débiter la lecture. Lors de l'écoute d'un fichier CD+G, appuyez sur la touche **MONITEUR MARCHE/ARRÊT** pour afficher l'image et les paroles à l'écran.

Utilisation

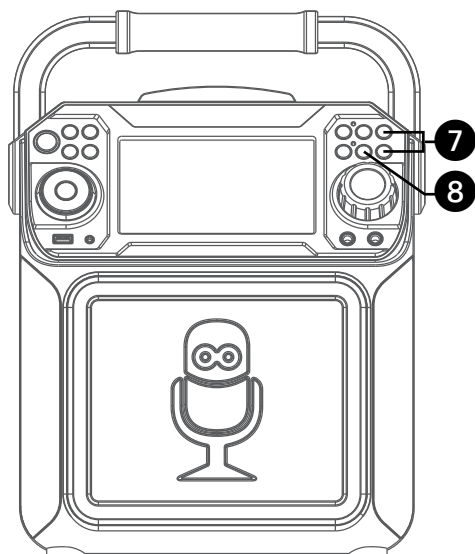
Lecture d'un CD (suite)



5 Ajustez le volume à un niveau confortable en utilisant la commande de **VOLUME PRINCIPAL (MASTER VOLUME)**.

6 Connectez le ou les micro(s), puis glissez l'interrupteur **MARCHE/ARRÊT (ON/OFF)** à la position MARCHE.

7 Appuyez sur la touche **VOLUME MICRO** **^** ou **v** pour régler le volume du micro au niveau souhaité. Le fait de monter ce réglage augmente le volume des deux microphones.

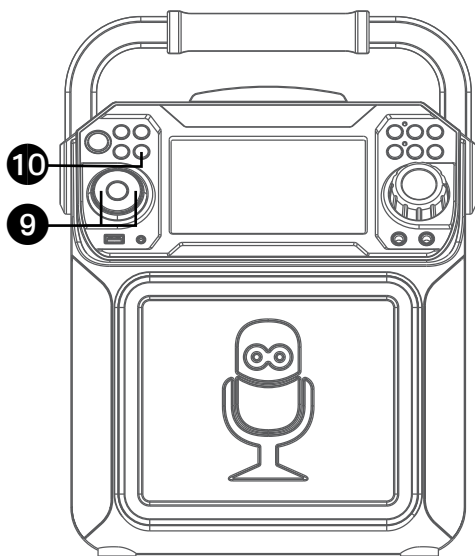


8 L'option **CONTRÔLE AUTOMATIQUE DE LA VOIX** peut être activé en appuyant la touche **MARCHE/ARRÊT Contrôle de voix automatique (Auto Voice Control)**. Les chants de l'enregistrement multiplex sont coupés dès que vous commencez à chanter dans le micro. Lorsque le chanteur arrête de chanter, les voix enregistrés sur l'enregistrement multiplex se nivelleront en mode normal.

Remarque: Ceci est seulement pour les fichiers enregistrés avec l'option multiplex.

Utilisation

Lecture d'un CD (suite)






9

PASSER: Avancer ou retourner d'une piste à l'autre en appuyant sur les touches de **Passer** > o < .


RECHERCHE: Lors de la lecture de tout CD audio, appuyez et maintenez la touche **Passer** > o < . Le CD recherche dans les directions avancé ou de recul à une haute vitesse. La lecture normale se poursuit lorsque vous relâchez la touche.

Remarque: La fonction **RECHERCHE** n'est compatible qu'avec les disques CD et non les disques CD+G.

10

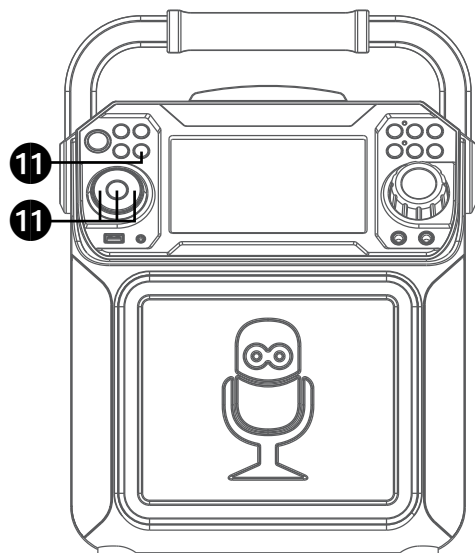
RÉPÉTER: Au cours de la lecture, appuyez sur la touche **PROGRAMME/RÉPÉTER (PROGRAM/REPEAT)**, le symbole  s'affiche à l'écran et la piste courante est répétée. Pour répéter toutes les pistes, appuyez sur la touche **PROGRAMME/RÉPÉTER (PROGRAM/REPEAT)** un autre fois et le symbole  s'affiche à l'écran. Appuyez de nouveau pour répéter la fonctionnalité, le symbole  s'affiche à l'écran.

11

PROGRAMME: Vous pouvez programmer jusqu'à 20 pistes pour la lecture dans tout ordre souhaité. En mode arrêt, appuyez sur la touche **PROGRAMME/RÉPÉTER (PROGRAM/REPEAT)**; PROG SET 00:XX (xx est le nombre total de pistes) s'affiche à l'écran. Sélectionnez la première piste à partir des touches **Passer** > o < , appuyez ensuite sur la touche **PROGRAMME/RÉPÉTER (PROGRAM/REPEAT)**. Répétez pour programmer un maximum de 20 pistes, si nécessaire. Lorsque terminé, appuyez sur la touche **Lire (Play)/Pause**  pour commencer la lecture.

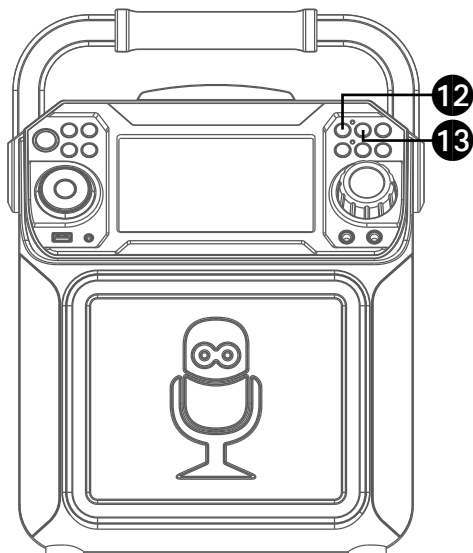
Remarques:

- Maintenez enfoncée la touche **RÉPÉTER/PROG** pour arrêter et supprimer le programme.
- Si vous tentez de programmer plus de 20 pistes, « FUL » apparaîtra sur l'afficheur.



Utilisation

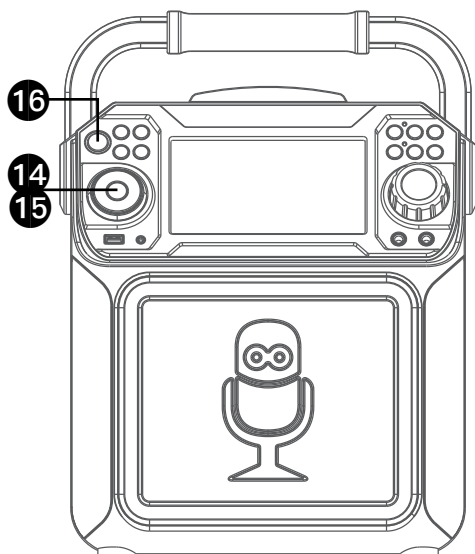
Lecture d'un CD (suite)



12 ENREGISTREMENT DE VOS CHANTS:

Insérez d'abord une clé USB, puis appuyez sur la touche **ENREGISTREMENT**; la chanson commencera et l'enregistrement débutera. Le témoin d'enregistrement s'allumera. **ENREGISTREMENT (REC)** avec progression de la piste en pourcentage s'affichera dans le coin supérieur gauche de l'écran. Pour arrêter l'enregistrement, appuyez de nouveau sur la touche **ENREGISTREMENT**. Le témoin d'enregistrement s'éteindra. Consultez « Lecture de chansons à partir de la clé USB » pour lire vos fichiers enregistrés sur la clé USB.

13 EFFET SONORE: Appuyez plusieurs fois sur les touches EFFET VOCAL pour sélectionner l'effet vocal ÉCHO, FEMME, HOMME, CHIPMUNK, ROBOT ou RADIO. Sélectionnez **AUCUN (NONE)** pour chanter sans aucun effet vocal.



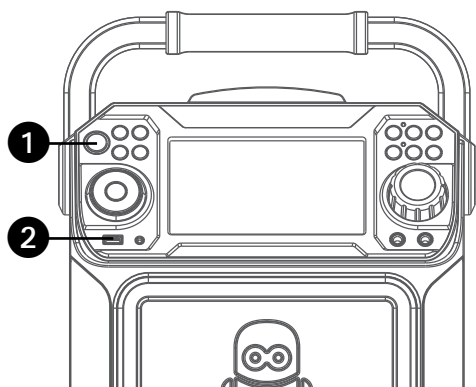
14 PAUSE: Durant la lecture, si vous désirez arrêter le disque momentanément, appuyez **Lire (Play)/Pause ►||**. Appuyez à nouveau pour reprendre la lecture normale.

15 Maintenez enfoncée la touche **LECTURE/PAUSE ►||** pour arrêter la lecture.

16 Appuyez sur la touche **MARCHE/ARRÊT** pour éteindre l'appareil. Le témoin d'alimentation s'éteindra.

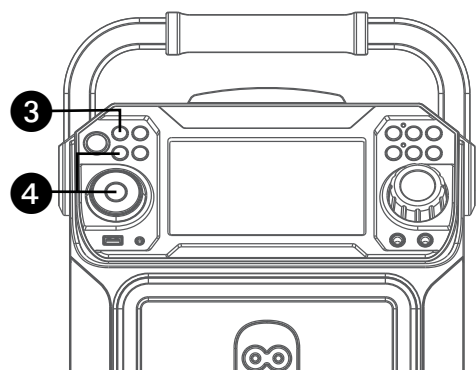
Utilisation

Lecture de chansons à partir de la clé USB



1 Raccordez l'appareil de la manière décrite précédemment. Appuyez sur la touche **MARCHE/ARRÊT** pour allumer l'appareil. Le témoin d'alimentation s'allumera.

2 Insérez une clé USB dans le port USB de l'appareil, face vers le haut. Assurez-vous de télécharger de la musique de la boutique Karaoke.



3 Appuyez plusieurs fois sur la touche **FONCTION (FUNCTION)** pour sélectionner le mode USB; la mention « LIRE USB » (READ USB) s'affiche lors de la recherche sur le disque et ensuite, le nombre de pistes s'affichera.

4 Appuyez sur la touche **Lire (Play)/ Pause** pour débiter la lecture. Vous pouvez afficher l'image et les paroles à l'écran lors de l'écoute d'un fichier CD+G. Appuyez sur la touche MONITEUR pour éteindre l'écran.

Remarque: À l'écran, les dossiers contenant des enregistrements et des chansons s'affichent à gauche et la liste des pièces du dossier sélectionné s'affiche à droite. Pour naviguer parmi ces dossiers, voir la page F13, la section "PASSER".

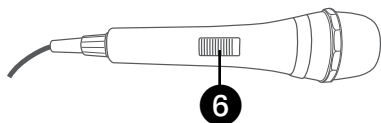


5 Ajustez le volume à un niveau confortable en utilisant la commande de **VOLUME PRINCIPAL (MASTER VOLUME)**.

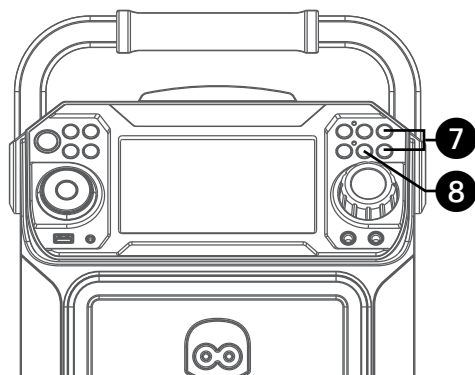
Remarque: Si connecté à un téléviseur ou à une autre source audio, réglez le volume du téléviseur en utilisant sa propre commande de volume.

Utilisation

Lecture de chansons à partir de la clé USB (suite)



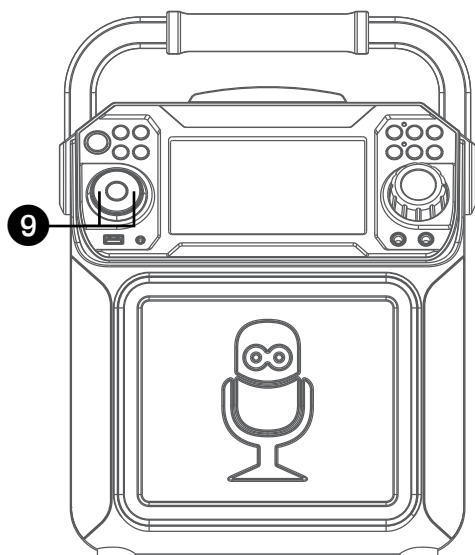
6 Connectez le ou les micro(s), puis glissez l'interrupteur **MARCHE/ARRÊT (ON/OFF)** à la position **MARCHE**.



7 Appuyez sur la touche **VOLUME MICRO** **^** ou **v** pour régler le volume du micro au niveau souhaité. Le fait de monter ce réglage augmente le volume des deux microphones.

8 L'option **CONTRÔLE AUTOMATIQUE DE LA VOIX** peut être activé en appuyant la touche **MARCHE/ARRÊT Contrôle de voix automatique (Auto Voice Control)**. Les chants de l'enregistrement multiplex sont coupés dès que vous commencez à chanter dans le micro. Lorsque le chanteur arrête de chanter, les voix enregistrés sur l'enregistrement multiplex se nivelleront en mode normal.

Remarque: Ceci est seulement pour les fichiers enregistrés avec l'option multiplex.



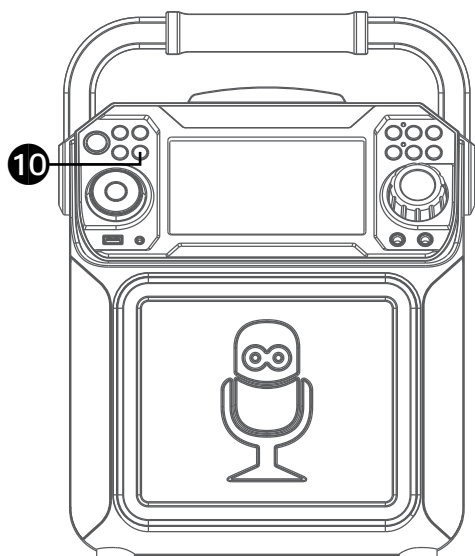
9 PASSER: Avancer ou retourner d'une piste à l'autre en appuyant sur les **Passer > o <**.

RECHERCHE: Lors de la lecture de tout CD audio sur votre clé USB, appuyez et maintenez les touches **Passer > o <**. Le clé USB recherche dans les directions avancé ou de recul à une haute vitesse. La lecture normale se poursuit lorsque vous relâchez la touche.

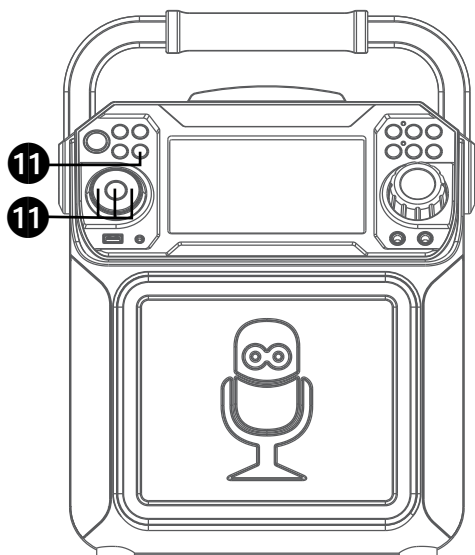
Au cours du mode Arrêt (Stop), vous pouvez également sélectionner un fichier à partir des touches **Passer > o <** pour faire défiler en haut/bas et/ou les touches **> y <** pour faire défiler à gauche/droite. La musique enregistrée sera dans le dossier ENR (REC).

Utilisation

Lecture de chansons à partir de la clé USB (suite)



10 RÉPÉTER (REPEAT): Pour répéter la piste actuelle, appuyez sur la touche **RÉPÉTER/PROGRAMME (REPEAT/PROGRAM)** une fois au cours de la lecture, **↶1** s'affiche à l'écran et la piste courante sera répétée. Appuyez sur la touche **RÉPÉTER/PROGRAMME (REPEAT/PROGRAM)** deux fois, **↶2** s'affichera et toutes les pistes MP3 à l'intérieur du dossier se répéteront en continu. Pour répéter toutes les pistes, appuyez sur la touche **RÉPÉTER/PROGRAMME (REPEAT/PROGRAM)** un autre fois et, **↶A** s'affiche à l'écran. Appuyez de nouveau pour répéter la fonctionnalité, **↶X** s'affiche à l'écran.



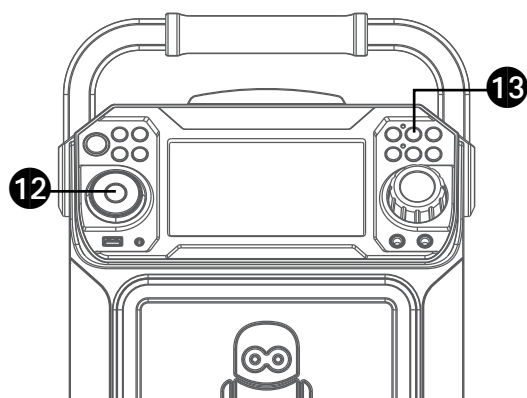
11 PROGRAMMATION: Vous pouvez programmer jusqu'à 20 pistes pour la lecture dans tout ordre souhaité. En mode arrêt, appuyez sur la touche **PROGRAMME/RÉPÉTER (PROGRAM/REPEAT)**; **PROG SET 00:XX** (xx est le nombre total de pistes) s'affiche à l'écran. Sélectionnez la première piste à partir des touches **Passer > o <**, appuyez ensuite sur la touche **PROGRAMME/RÉPÉTER (PROGRAM/REPEAT)**. Répétez pour programmer un maximum de 20 pistes, si nécessaire. Lorsque terminé, appuyez sur la touche **Lire (Play)/Pause ▶||** pour commencer la lecture.

Remarques:

- Maintenez enfoncée la touche **RÉPÉTER/PROG** pour arrêter et supprimer le programme.
- Si vous tentez de programmer plus de 20 pistes, « FUL » apparaîtra sur l'afficheur.

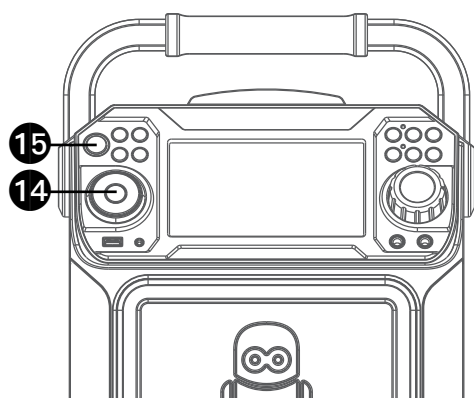
Utilisation

Lecture de chansons à partir de la clé USB (suite)



12 **PAUSE:** Durant la lecture, si vous désirez arrêter le disque momentanément, appuyez **Lire (Play)/Pause ►|| /ENTRÉE**. Appuyez à nouveau pour reprendre la lecture normale.

13 **EFFET SONORE:** Appuyez plusieurs fois sur les touches EFFET VOCAL pour sélectionner l'effet vocal ÉCHO, FEMME, HOMME, CHIPMUNK, ROBOT ou RADIO. Sélectionnez **AUCUN (NONE)** pour chanter sans aucun effet vocal.

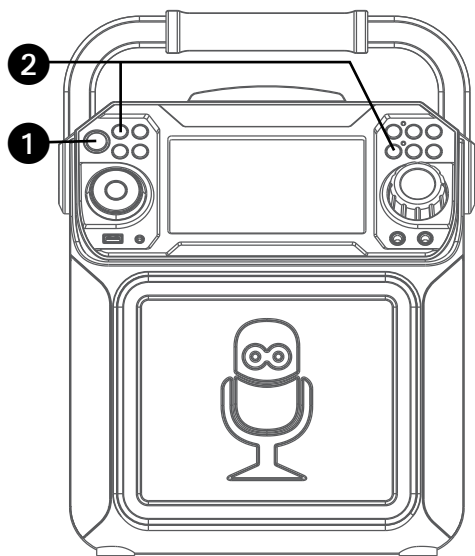


14 Maintenez enfoncée la touche **LECTURE/PAUSE ►||** pour arrêter la lecture.


15 Appuyez sur la touche **MARCHE/ARRÊT** pour éteindre l'appareil. Le témoin d'alimentation s'éteindra.

Utilisation

Utilisation d'un appareil Bluetooth



- 1 Raccordez l'appareil de la manière décrite précédemment. Appuyez sur la touche **MARCHÉ/ARRÊT**  pour allumer l'appareil. Le témoin d'alimentation s'allumera.
- 2 Appuyez plusieurs fois sur la touche  ou **FONCTION (FUNCTION)** pour sélectionner l'option Bluetooth; la mention : « BLUETOOTH » s'affiche à l'écran. L'écran affiche que votre dispositif Bluetooth est prêt à être connecté par une notification sonore. S'il y a un dispositif Bluetooth jumelé précédemment, l'appareil se connectera automatiquement avec une notification sonore de jumelage. S'il n'y a eu aucun jumelage précédemment, connectez-vous tel qu'indiqué à la prochaine étape.

Remarque: Vous pouvez également appuyer  pour déconnecter tout appareil jumelé afin de le jumeler à un autre appareil.

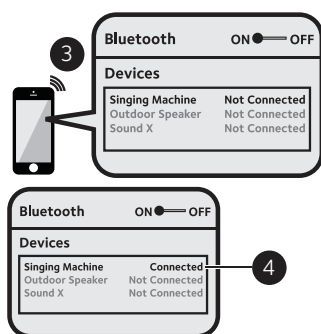
- 3 Activez l'option Bluetooth dans les paramètres de votre appareil pour rechercher un dispositif détectable avec un signal Bluetooth. Sélectionnez "**Singing Machine**" à partir des résultats dans le menu Bluetooth.

Remarque: Veuillez vous reporter au manuel d'utilisation de votre appareil Bluetooth pour obtenir des instructions détaillées.

- 4 L'écran affiche que votre dispositif Bluetooth est connecté par une notification sonore.

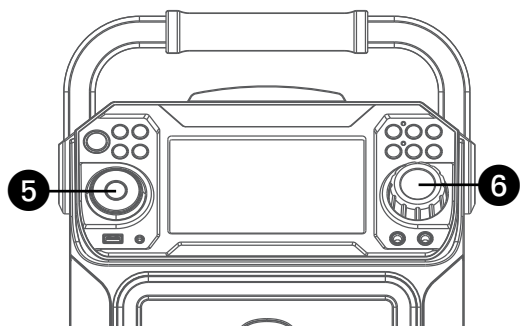
Remarques:

- Si votre dispositif Bluetooth vous demande d'inscrire un mot de passe au cours du processus de jumelage, veuillez inscrire "0000" pour vous connecter.
- Sur certains dispositifs Bluetooth, lorsque le jumelage est terminé, vous devez sélectionner l'appareil à l'aide de l'option « Utiliser comme périphérique audio » ou d'une option semblable.
- Si la connexion est perdue après un jumelage réussi, assurez-vous que la distance entre les haut-parleurs et le dispositif Bluetooth n'excède pas 30 pi/10 mètres.



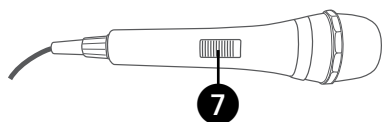
Utilisation

Utilisation d'un appareil Bluetooth (suite)

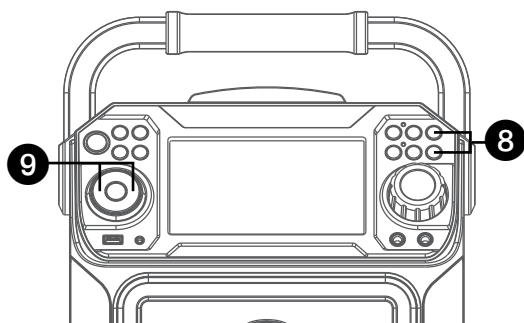


5 Pour contrôler le dispositif Bluetooth à partir de cet appareil, appuyez sur la touche **Lire (Play)/Pause ►|| /ENTRÉE** pour débuter la lecture (l'application de musique doit être allumée). Appuyez sur la touche **Lire (Play)/Pause ►|| /ENTRÉE** au cours de la lecture pour interrompre la chanson.

6 Ajustez le volume à un niveau confortable en utilisant la commande du **VOLUME PRINCIPAL (MASTER VOLUME)** sur cet appareil ou le volume sur votre dispositif Bluetooth.



7 Connectez le ou les micro(s), puis glissez l'interrupteur **MARCHE/ARRÊT (ON/OFF)** à la position MARCHE.

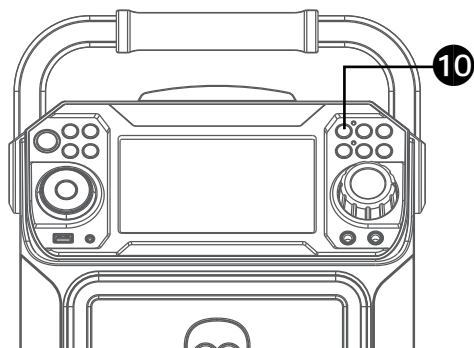


8 Appuyez sur la touche **VOLUME MICRO** **^** ou **v** pour régler le volume du micro au niveau souhaité. Le fait de monter ce réglage augmente le volume des deux microphones.

9 **PASSER:** Avancer ou retourner d'une piste à l'autre en appuyant sur les Passer **> o <**.


Utilisation

Utilisation d'un appareil Bluetooth (suite)



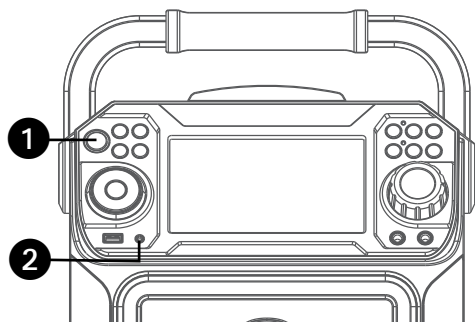
- 10 ENREGISTREMENT DE VOS CHANTS:** Insérez d'abord une clé USB, puis appuyez sur la touche **ENREGISTREMENT**; la chanson commencera et l'enregistrement débutera. Le témoin d'enregistrement s'allumera. **ENREGISTREMENT (REC)** avec progression de la piste en pourcentage s'affichera dans le coin supérieur gauche de l'écran. Pour arrêter l'enregistrement, appuyez de nouveau sur la touche **ENREGISTREMENT**. Le témoin d'enregistrement s'éteindra. Consultez « Lecture de chansons à partir de la clé USB » pour lire vos fichiers enregistrés sur la clé USB.



- 11 EFFET SONOR:** Appuyez plusieurs fois sur les touches **EFFET VOCAL** pour sélectionner l'effet vocal **ÉCHO**, **FEMME**, **HOMME**, **CHIPMUNK**, **ROBOT** ou **RADIO**. Sélectionnez **AUCUN** pour chanter sans aucun effet vocal.
- 12** Appuyez sur la touche **MARCHE/ARRÊT**  pour éteindre l'appareil. Le témoin d'alimentation s'éteindra.

Utilisation

En utilisant l'entrée LINE IN

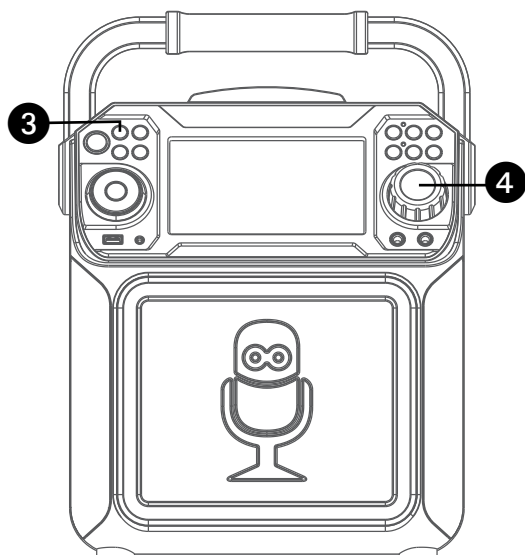


1 Raccordez l'appareil de la manière décrite précédemment. Appuyez sur la touche **MARCHE/ARRÊT** pour allumer l'appareil. Le témoin d'alimentation s'allumera.

2 Connectez l'appareil externe à la prise LINE IN située à l'avant de cet appareil. La connexion avec l'appareil externe permettra au son audio d'être en lecture sur le Singing Machine.

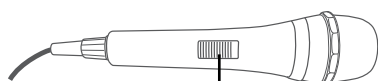
Remarques:

- Il est fortement recommandé de régler le volume de l'appareil auxiliaire à 1/3 du niveau ou plus bas pour éviter toute distorsion.
- Il n'est pas possible de passer des fichiers/pistes lorsque vous utilisez un appareil externe.



3 Appuyez sur la touche **FONCTION (FUNCTION)** pour sélectionner le mode LINE IN; la mention "LINE IN" s'affichera à l'écran.

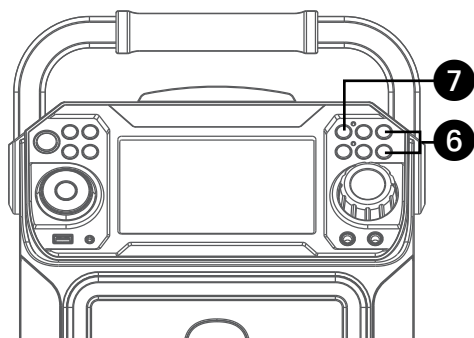
4 Réglez le volume en utilisant la commande de **volume principal (MASTER VOLUME)** de cet appareil ou à partir de la commande de volume de votre dispositif externe.



5 Connectez le ou les micro(s), puis glissez l'interrupteur **MARCHE/ARRÊT (ON/OFF)** à la position MARCHE.

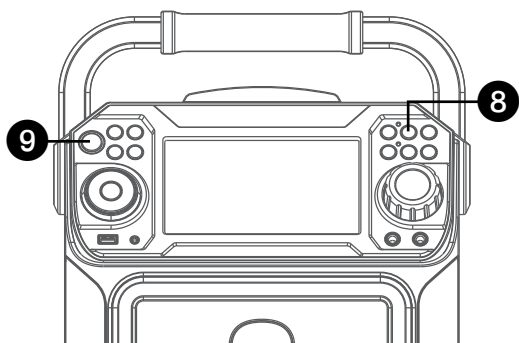
Utilisation

En utilisant l'entrée LINE IN (suite)



6 Appuyez sur la touche **VOLUME MICRO** \wedge ou \vee pour régler le volume du micro au niveau souhaité. Le fait de monter ce réglage augmente le volume des deux microphones.

7 **ENREGISTREMENT DE VOS CHANTS:** Insérez d'abord une clé USB, puis appuyez sur la touche **ENREGISTREMENT**; la chanson commencera et l'enregistrement débutera. Le témoin d'enregistrement s'allumera. ENREGISTREMENT (REC) avec progression de la piste en pourcentage s'affichera dans le coin supérieur gauche de l'écran. Pour arrêter l'enregistrement, appuyez de nouveau sur la touche **ENREGISTREMENT**. Le témoin d'enregistrement s'éteindra. Consultez « Lecture de chansons à partir de la clé USB » pour lire vos fichiers enregistrés sur la clé USB.



8 **EFFET SONORE:** Appuyez plusieurs fois sur les touches EFFET VOCAL pour sélectionner l'effet vocal ÉCHO, FEMME, HOMME, CHIPMUNK, ROBOT ou RADIO. Sélectionnez **AUCUN** pour chanter sans aucun effet vocal.

9 Appuyez sur la touche **MARCHÉ/ARRÊT** ⏻ pour éteindre l'appareil. Le témoin d'alimentation s'éteindra.

Utilisation

Où télécharger des fichiers MP3+G

Conseils pratiques:

Les fichiers .mp3 et .cdg sont fournis en téléchargement dans un seul fichier .zip MP3+G compressé. Il n'est pas possible d'effectuer la lecture du fichier MP3+G en tant que fichier .zip sur une mémoire flash USB. Pour effectuer la lecture de chansons de karaoké à l'aide d'une mémoire flash USB, le fichier .zip MP3+G doit être décompressé comme suit:

- Connectez une mémoire flash USB à votre ordinateur
- Téléchargez le fichier MP3+G à partir de votre section numérique Digital Locker et enregistrez le fichier.zip* dans un dossier de votre ordinateur
- Double-cliquez sur le fichier .zip pour l'ouvrir (vous pourrez voir les fichiers .mp3 et .cdg)
- Faites glisser les fichiers .mp3 et .cdg vers la mémoire flash USB
- Retirez (éjectez) la mémoire flash USB de votre ordinateur.

Allumez le karaoké Singing Machine et connectez la mémoire flash USB.

Pour acheter ou télécharger des chansons de karaoké, veuillez s'il vous plaît, visiter le <http://store.singingmachine.com> pour accéder à plus de 13 000+ de vos chansons de karaoké favorites. Vous aurez besoin d'un disque USB flash (non inclus) pour transférer les téléchargements vers l'unité. Veuillez suivre les étapes simples:

- 1 Rendez-vous au site <http://store.singingmachine.com> à partir de votre navigateur Internet et ensuite, enregistrez-vous.
- 2 Sélectionnez et achetez vos chansons de karaoké préférées à partir de la boutique Singing Machine Download.
- 3 Téléchargez vos achats sélectionnés à partir du casier Singing Machine Digital vers disque USB flash.
- 4 Insérez le lecteur USB flash comme démontré à la page F12 et amusez-vous!

FAQ

• Où puis-je obtenir de l'aide supplémentaire concernant les formats de fichiers?

Visitez <http://singingmachine.com/smcmusic/> pour obtenir des ressources supplémentaires sur le type adéquat de FORMAT DE FICHIER pour votre système.


Remarque: Vos chansons téléchargées peuvent aussi être gravées sur un disque compact (CDR-CDRW).

The screenshot shows the Singing Machine Digital Store website. At the top, there's a navigation bar with 'HOME', 'ABOUT', and 'CONTACT' links. Below that, the main content area is titled 'BROWSE ALL' and features a section for 'FEATURED MUSIC PACKS'. There are six music packs displayed as thumbnails, each with a cover image, a title, a brief description, and a price tag. The packs are: 'GREATEST LOVE SONGS' (18 songs, \$14.99), 'KARAOKE HITS' (18 songs, \$14.99), 'CLASSIC ROCK' (18 songs, \$14.99), 'ROCK ANTHEMS' (18 songs, \$14.99), 'MOTOWN CLASSICS' (18 songs, \$14.99), and 'TOTALLY COOL' (18 songs, \$14.99). Below the featured packs, there are three more sections: 'NEW MUSIC PACKS', 'TOP SONGS', and 'TOP ARTISTS'. The 'NEW MUSIC PACKS' section has a 'VIEW ALL' link. The 'TOP SONGS' and 'TOP ARTISTS' sections have 'VIEW ALL' links. The bottom of the page has a footer with 'RECENT RELEASES', 'TOP SONGS', and 'TOP ARTISTS' links.

Guide de dépannage

En cas de problème avec cet appareil, vérifiez les points suivants avant de le faire réparer:

Aucune alimentation

- L'appareil n'est pas sous tension; appuyez sur la touche **MARCHE/VEILLE (ON\OFF)**  pour allumer l'appareil.
- Assurez-vous que l'adaptateur AC est bien connecté à l'arrière de l'appareil.
- Connectez l'appareil à un autre périphérique.

Aucun son – général

- Le volume principal est réglé au minimum : augmenter le volume.
- La bonne fonction n'a pas été sélectionnée; sélectionnez à partir de la touche **FONCTION (FUNCTION)**.
- Si vous utilisez un dispositif externe, augmenter le volume.

Aucun son – si connecté à votre téléviseur

- Le volume du téléviseur est en mode silence ou trop faible.
- La source appropriée (habituellement AV) n'est pas sélectionnée dans le menu du téléviseur.


Aucun son provenant du microphone

- Assurez-vous que le microphone est connecté fermement à la prise MIC 1 ou MIC 2.
- Assurez-vous que le commutateur **MARCHE/ARRÊT (ON\OFF)** du microphone soit en position MARCHE.
- Assurez-vous que le niveau du **MIC VOLUME** n'est pas trop faible.
- Le volume principal est réglé au minimum : augmenter le volume.
- Augmentez le contrôle Écho au-dessus du milieu.

Les fichiers sur la clé USB ne s'ouvrent pas

- Le fichier est corrompu; remplacez le fichier.
- Le fichier n'est pas dans un format de lecture compatible.
- Le dispositif USB n'est pas compatible à l'appareil.

L'appareil Bluetooth ne peut pas être jumelé ou connecté avec l'appareil

- Ensure any other Bluetooth devices are turned off to avoid accidental pairing.
- Vous n'avez pas activé la fonction Bluetooth de votre appareil; consultez la page 16 ou reportez-vous au mode d'emploi de l'appareil Bluetooth.
- Le système n'est pas en mode de jumelage : appuyez sur la touche  pour redémarrer le jumelage.

La lecture musicale n'est pas disponible sur l'appareil après l'établissement de la connexion Bluetooth

- Assurez-vous que l'appareil Bluetooth est compatible avec le profil Bluetooth A2DP.
- Le volume du dispositif externe Bluetooth est en mode silence ou trop faible; augmenter le volume.

L'appareil n'enregistre pas

- Aucune clé USB n'est insérée, ou l'appareil USB est complet. Transférez tous les enregistrements sur votre ordinateur pour créer de l'espace.

Caractéristiques techniques

AUDIO

Alimentation de sortie	15 Watts (RMS)
Impédance de sortie	4 Ohms

SECTION DU LECTEUR DE CD

Réponse en fréquence	100Hz - 20kHz
Ratio du signal-bruit	50dB (A-WTD)
Nombre de programmes	20 étapes de programmation d'accès aléatoires

BLUETOOTH

Bluetooth Version	V4.2
Distance de travail	jusqu'à 30 pieds/10 mètres mesuré en espace ouvert

USB

Format	FAT32
Compatibilité maximale	32GB

GÉNÉRALITÉS

Alimentation.....	DC12V 2A Positive Center
Dimensions - appareil principal Unit.....	13,0 x 9,1 x 17,04 inches (33,0 x 23,0 x 43,1cm)
Poids - appareil principal	8,7Lbs (4,0kgs)
Microphone.....	-74 dB 600 Ohms impédance avec microphone dynamique de 6,3 mm
Aux In	3,5mm prise stéréo

Caractéristiques sujettes à modifications sans préavis.

Le mot et le logo Bluetooth® sont des marques déposées de Bluetooth SIG, Inc. Leur utilisation par The Singing Machine Company est soumise à une licence. Toutes les autres marques sont la propriété de leurs détenteurs respectifs.

Visit Our Website: www.singingmachine.com
Visite Nuestra Pagina de Internet: www.singingmachine.com
Visitez notre site Web : www.singingmachine.com

The Singing Machine Company, Inc.
4060 E Jurupa Street, Unit B
Ontario, CA 91761-1413 USA

Copyright © 2018 All Rights Reserved.
Derechos de autor © 2018 Todos los derechos reservados.
Droit d'auteur © 2018 - Tous droits réservés.

PRINTED IN CHINA
IMPRESO EN CHINA
Imprimé en Chine
782-1805-ESF01-US