

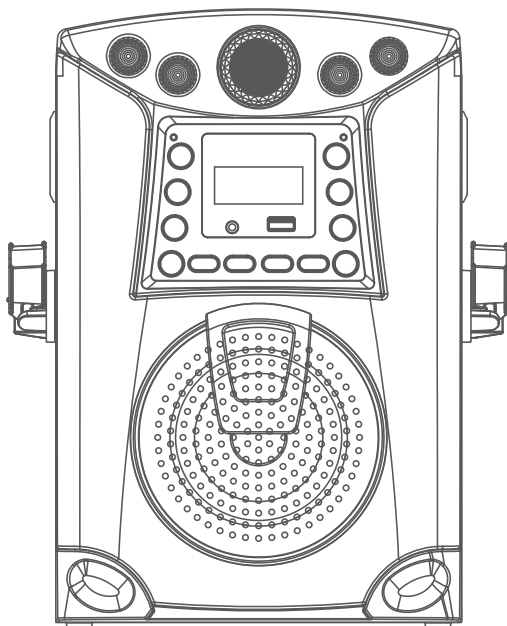


singing machine®

creating Joy through music™

SML633



INSTRUCTION MANUAL /
MANUAL DE INSTRUCCIONES /
MODE D'EMPLOI





www.singingmachine.com

The Singing Machine® is a registered trademark of The Singing Machine Co., Inc.
The Singing Machine® es una marca registrada de The Singing Machine Co., Inc.
The Singing Machine® est une marque déposée de The Singing Machine Co., Inc.

Warnings

	CAUTION RISK OF ELECTRIC SHOCK DO NOT OPEN	
CAUTION: TO REDUCE THE RISK OF ELECTRIC SHOCK, DO NOT REMOVE COVER (OR BACK). NO USER-SERVICEABLE PARTS INSIDE. REFER SERVICE TO QUALIFIED SERVICE PERSONNEL. The CAUTION marking is located on the rear panel.		

 **DANGEROUS VOLTAGE:** The lightning flash with arrowhead symbol within an equilateral triangle is intended to alert the user to the presence of uninsulated dangerous voltage within the product's enclosure that may be of sufficient magnitude to constitute a risk of electric shock to persons.

 **ATTENTION:** The exclamation point within an equilateral triangle is intended to alert the user to the presence of important operating and maintenance (servicing) instructions in the literature accompanying this product.

DRIPPING WARNING: This product shall not be exposed to dripping or splashing, and no objects filled with liquids, such as vases, shall be placed on the product.

VENTILATION WARNING: The normal ventilation of the product shall not be impeded for intended use.

THIS PRODUCT COMPLIES WITH DHHS RULES 21 CFR CHAPTER 1, SUBCHAPTER J APPLICABLE AT DATE OF MANUFACTURED.

Warnings:

- This CD player employs a laser light beam. Only a qualified service person should remove the cover or attempt to service this device, due to possible eye injury.
- The use of controls, adjustments, or procedures other than those specified herein might result in hazardous radiation exposure.
- The apparatus shall be used in an open area.

CAUTION!

Invisible laser radiation when open and interlocks defeated. Avoid exposure to beam.

WARNING: TO PREVENT FIRE OR SHOCK HAZARD, DO NOT EXPOSE THIS UNIT TO RAIN OR MOISTURE.

FCC WARNING: This equipment may generate or use radio frequency energy. Changes or modifications to this equipment may cause harmful interference unless the modifications are expressly approved in the instruction manual. The user could lose the authority to operate this equipment if an unauthorized change or modification is made.

This device complies with part 15 of the FCC Rules. Operation is subject to the following two conditions: (1) This device may not cause harmful interference, and (2) this device must accept any interference received, including interference that may cause undesired operation.

Changes or modifications not expressly approved by the party responsible for compliance could void the user's authority to operate the equipment.

Radiation Exposure Statement

This equipment complies with FCC radiation exposure limits set forth for an uncontrolled environment. This equipment should be installed and operated with minimum distance 20cm between the radiator and your body.

NOTE: This equipment has been tested and found to comply with the limits for a Class B digital device, pursuant to part 15 of the FCC Rules. These limits are designed to provide reasonable protection against harmful interference in a residential installation. This equipment generates, uses and can radiate radio frequency energy and, if not installed and used in accordance with the instructions, may cause harmful interference to radio communications. However, there is no guarantee that interference will not occur in a particular installation. If this equipment does cause harmful interference to radio or television reception, which can be determined by turning the equipment off and on, the user is encouraged to try to correct the interference by one or more of the following measures:

- Reorient or relocate the receiving antenna.
- Increase the separation between the equipment and receiver.
- Connect the equipment into an outlet on a circuit different from that to which the receiver is connected.
- Consult the dealer or an experienced radio/TV technician for help.

The rating information is located at the rear of the unit.

Important Safety Information

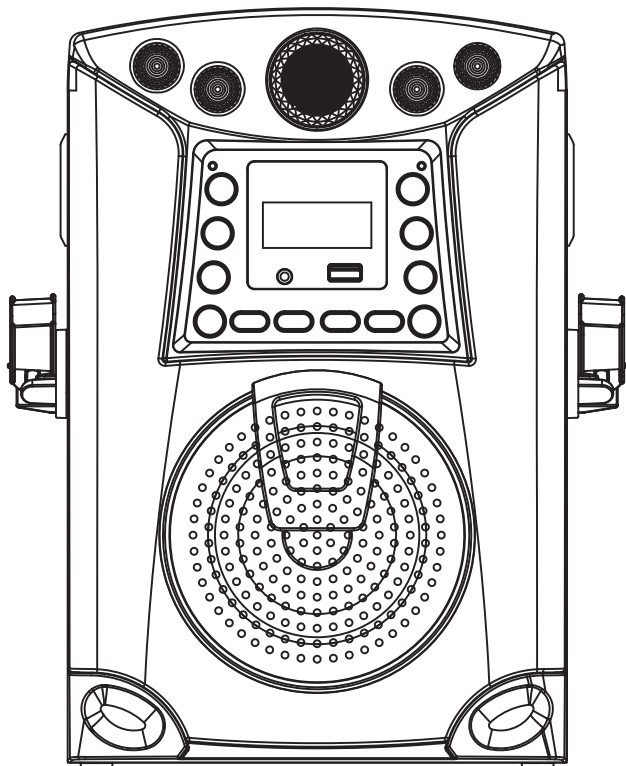
1. Read these Instructions.
2. Keep these Instructions.
3. Heed all Warnings.
4. Follow all Instructions.
5. Do not use this apparatus near water.
6. Clean only with a dry cloth.
7. Do not block any of the ventilation openings. Install in accordance with the Manufacturer's instructions.
8. Do not install near any heat sources such as radiators, heat registers, stoves, or other apparatus (including amplifiers) that produce heat.
9. Do not defeat the safety purpose of the polarized or grounding-type plug. A polarized plug has two blades with one wider than the other. A grounding type plug has two blades and a third grounding prong. The wide blade or the third prong are provided for your safety. When the provided plug does not fit into your outlet, consult an electrician for replacement of the obsolete outlet.
10. Protect the power cord from being walked on or pinched particularly at plugs, convenience receptacles, and the point where they exit from the apparatus.
11. Only use attachments/accessories specified by the manufacturer.
12. Use only with a cart, stand, tripod, bracket, or table specified by the manufacturer, or sold with the apparatus. When a cart is used, use caution when moving the cart/apparatus combination to avoid injury from tip-over.
13. Unplug this apparatus during lightning storms or when unused for long periods of time.
14. Refer all servicing to qualified service personnel. Servicing is required when the apparatus has been damaged in any way, such as power-supply cord or plug is damaged, liquid has been spilled or objects have fallen into the apparatus, the apparatus has been exposed to rain or moisture, does not operate normally, or has been dropped.
15. **WARNING:** To reduce the risk of fire or electric shock, do not expose this apparatus to rain or moisture. Do not place objects filled with water, such as a vase, on the apparatus.
16. The AC mains plug is used as the power disconnect device and it should remain readily accessible and operable during intended use. In order to completely disconnect the apparatus from power, the mains plug should be completely removed from the AC outlet socket.
17. **CAUTION:** To reduce the risk of fire or explosion, do not expose batteries to excessive heat such as sunshine, fire or other heat sources.

PORTABLE CART WARNING
(symbol provided by RETAC)

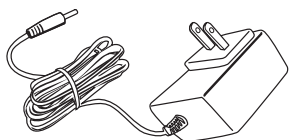


Included

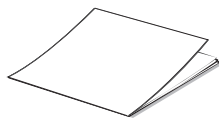
What's in the box.



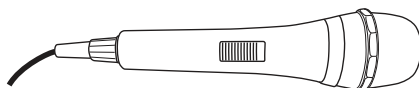
Main Unit



AC Adapter

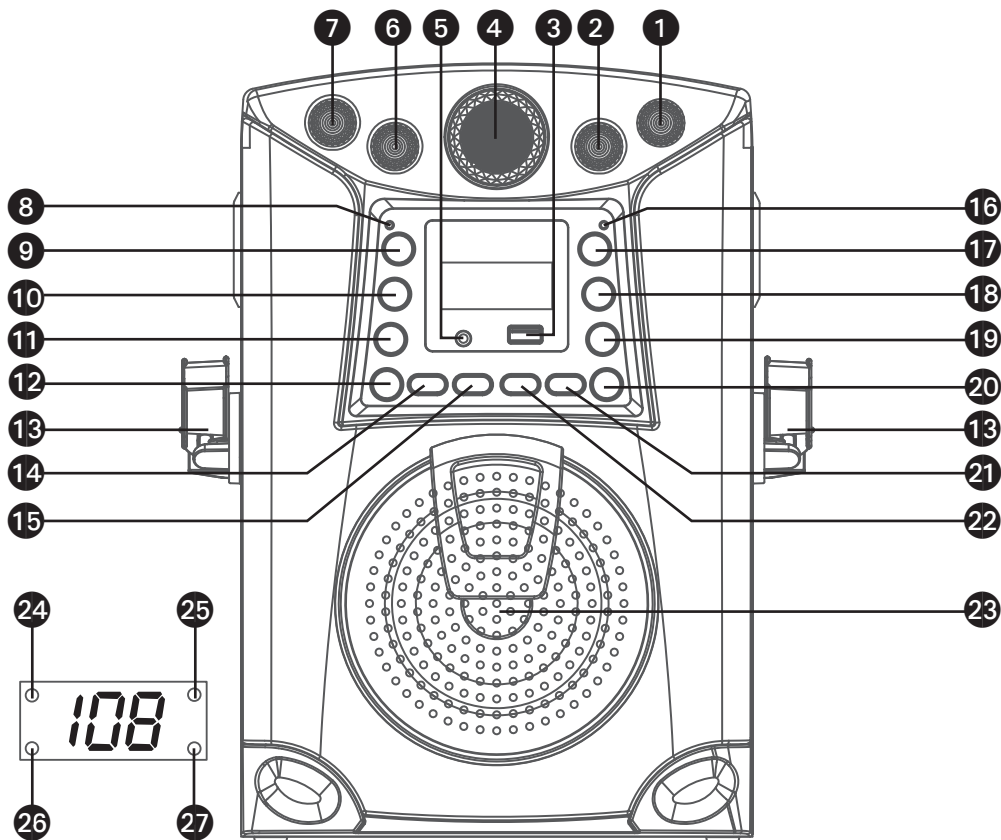


Manual



Wired Microphone

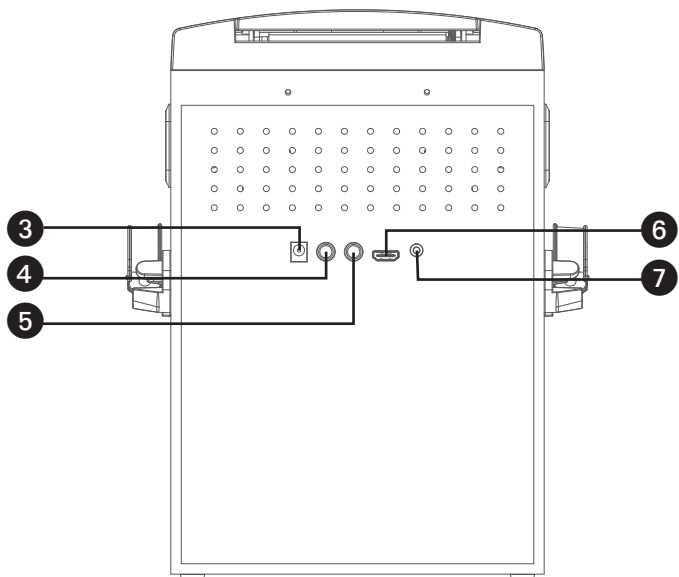
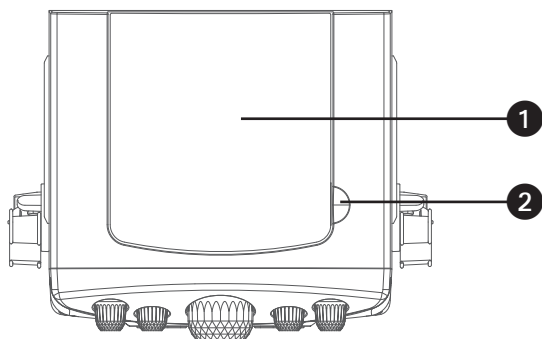
Location of Controls (Front)



Display

- | | | |
|--------------------------|---------------------------|--------------------------------|
| 1. MIC 2 VOLUME control | 10. FUNCTION Button | 19. ■ STOP Button |
| 2. Auto Voice Control | 11. REPEAT/PROGRAM Button | 20. 📶 BLUETOOTH pairing Button |
| 3. USB Port | 12. VOICE EFFECTS Button | 21. ⏭ SKIP FORWARD Button |
| 4. MASTER VOLUME Control | 13. Mic Holders | 22. ⏮ SKIP BACK Button |
| 5. LINE IN Jack | 14. LIGHTS Button | 23. Speaker |
| 6. BALANCE Control | 15. SKIP 10+ Button | 24. CDG Indicator |
| 7. MIC 1 VOLUME control | 16. Record Indicator | 25. Play/Pause Indicator |
| 8. Power indicator | 17. ● RECORD Button | 26. Repeat Indicator |
| 9. ⏻ ON/STANDBY Button | 18. ⏯ PLAY/PAUSE Button | 27. Program Indicator |

Location of Controls (Top/Rear)



TOP VIEW

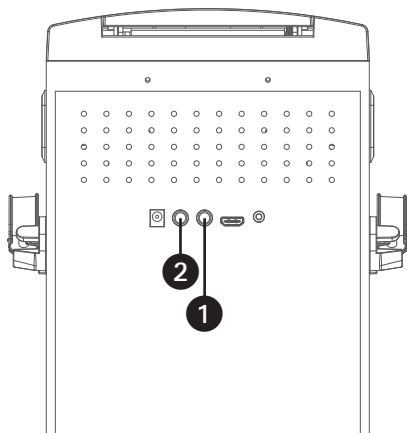
1. CD Door
2. CD open

REAR VIEW

3. DC IN Jack
4. MIC 2 Jack
5. MIC 1 Jack
6. HDMI Jack
7. LINE OUT Jack

Connection

Connecting the Microphone(s)

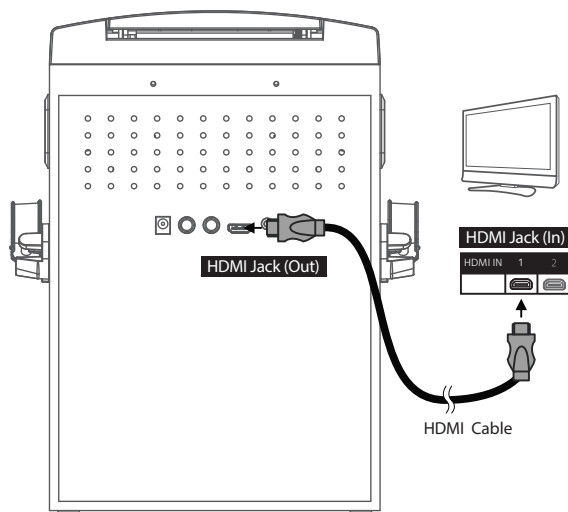


Microphones:

Connect a microphone into Mic jack 1 as well as Mic jack 2 (when desired).

Note: Do not drop or tap the Mic as damage to the Mic or speakers may occur. Do not twirl the microphone cord as it will cause damage to the encased wiring.

Connecting the Unit to a TV



To output the video, lyrics and audio to your TV, perform the following steps:

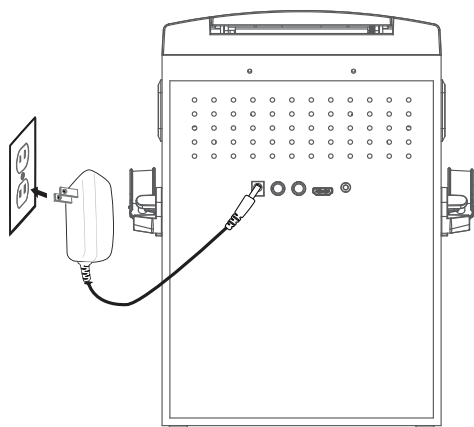
Plug the HDMI cable (not included) into the HDMI Jack on the back of the unit. Plug the other end of the HDMI cable into the HDMI input on your TV.

Notes:

- This unit can be used with or without a TV, but it is highly recommended to use a TV in order to utilize all the features.
- Also refer to the TV's User Guide.
- To see the lyrics on the screen, you must use a CD+G disc.

Connection

Connecting to AC Power

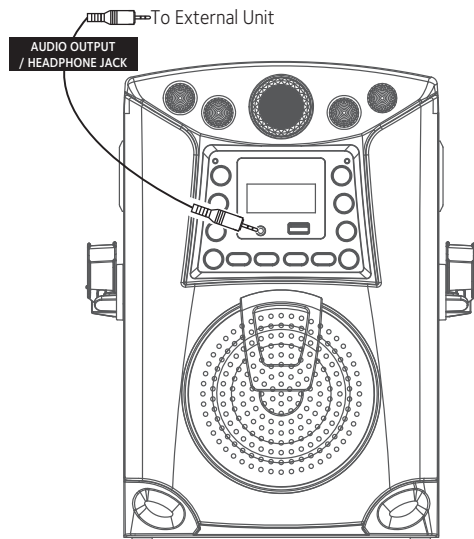


Insert the AC power cord into a conveniently located AC outlet having 120V AC, 60Hz.

Note:

Make all connections before connecting to AC power.

Connecting to LINE IN Jack



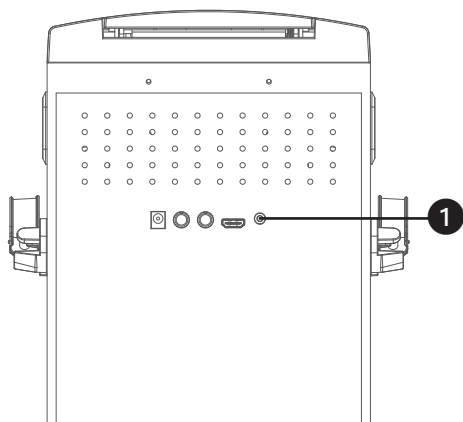
Connect an external device by using an appropriate cable (3.5mm audio cable not included) as shown.

Note:

See page E19 to select and use the Line In function.

Connection

Connecting to Line Out Jack

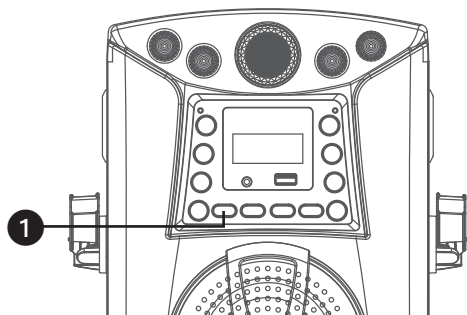


- 1 This unit can be connected to another audio system for greater audio output via 3.5mm AUX cord (not included).

Plug one end of AUX cord into the Line Out jack located on the back of the machine.

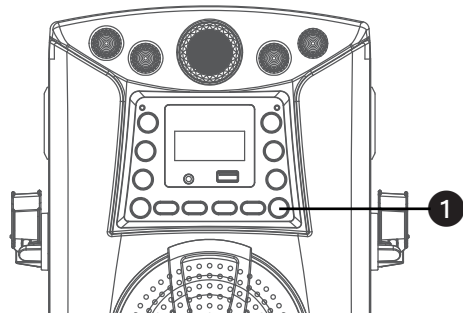
Plug the other end of the AUX cord into the Line In jack on your separate audio device. You may need to refer the instructions of your separate audio device for more details.

Lights Mode



- 1 Press the **LIGHTS** button to switch on the lighting effect, press again to switch off.

Bluetooth Mode



Press the  button to easily set the machine into bluetooth mode.

Note: See page E16 for Bluetooth operation instructions.

Operation

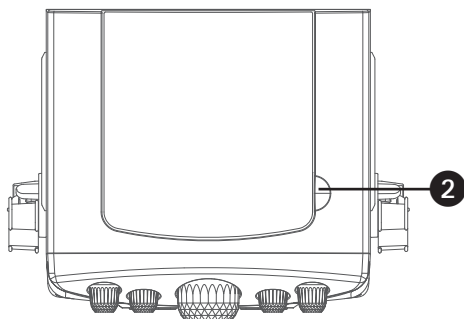
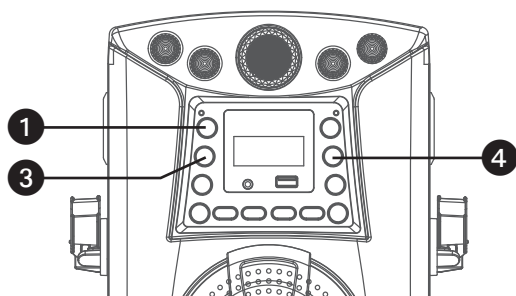
Playing a CDG



This unit is designed to play CDs and CDGs bearing the identification logo respectively. If the disc does not conform to the standard, it may not play properly.

Notes:

• What is a CD+G?

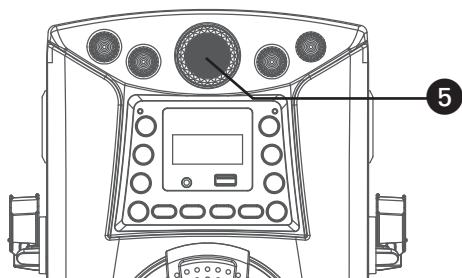
- A CD+G (CD+Graphics) is the standard format for most karaoke discs that will display the words on the screen.
- Never place anything other than a CD in the compartment, as foreign objects can damage the unit.
- If no disc is inserted, “no” will appear on the display.



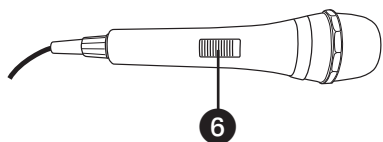
- 1 Connect the unit as described previously; if using a CD+G, it is recommended to connect to a TV. Press the  button to turn the unit on.
- 2 Lift open the CD door and insert a CD or a CD+G by gently pressing it on the center spindle. Then close the CD door.
- 3 Repeatedly press the **FUNCTION** button to select the CDG mode; “---” will appear when searching the disc and then the total number of tracks will appear.
- 4 Press the  button to start playback; if listening to a CD+G file, the image and lyrics will appear on the TV screen (if connected) and the PLAY/PAUSE and CDG Indicator will light.

Operation

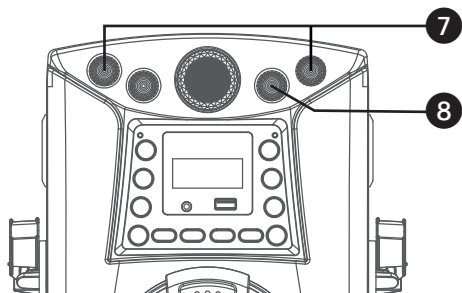
Playing a CDG (Continued)



5 Adjust the volume to a comfortable level using the **MASTER VOLUME** control.

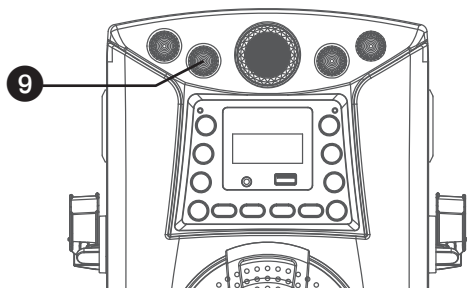


6 Connect microphone(s) and slide the **ON/OFF** switch on the microphone to the ON position.



7 Adjust the **MIC 1 or MIC 2 VOLUME** control as desired. Increasing this will increase the volume of respective microphone.

8 **AUTO VOICE CONTROL** can be activated by rotating the **AVC** control. The higher this control is set to, the more the vocals on the multiplex recording will be muted when the singer starts to sing through the microphone. When the singer stops singing, the recorded vocals on the multiplex recording will resume to normal.

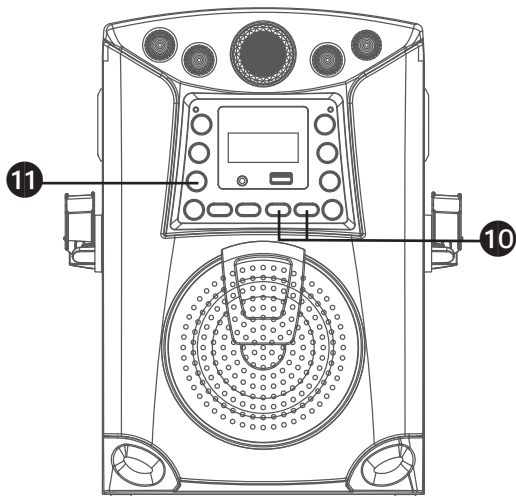


9 Rotate the **BALANCE** control clockwise to hear the music and recorded vocals from a multiplex recording or counterclockwise to hear the music only from a multiplex recording.

Note: To use the **BALANCE** control, a CD+G disc must be used, otherwise it will operate as a standard Balance control.

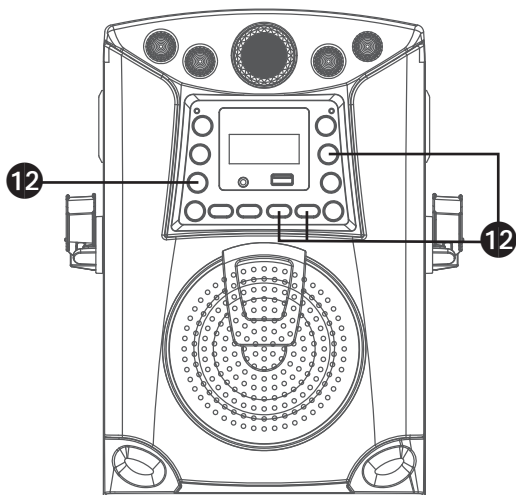
Operation

Playing a CDG (Continued)



10 SKIP: Advance or go back one track by pressing the ►►/◄◄ button.

11 REPEAT: During playback, press the **REPEAT/PROG** button once to repeatedly play the selected song; the Repeat indicator will blink. Press the **REPEAT/PROG** button a second time to repeatedly play the whole CD; the Repeat indicator will light solid. Press it again to cancel Repeat function, the Repeat indicator turns off.



12 PROGRAM: You can program up to 20 tracks on any disc for playback in any desired order. While in the Stop mode, press the **REPEAT/PROG** button; the Program indicator will blink and “P00” will appear. Select the first track using the ►►/◄◄ buttons. Press the **REPEAT/PROG** button again to confirm the entry. After selecting the desired tracks the display will show P01, P02, etc. recognizing the tracks selected have been programmed. Repeat to set up to 20 tracks into memory. When done, press the ►|| button to start playback.

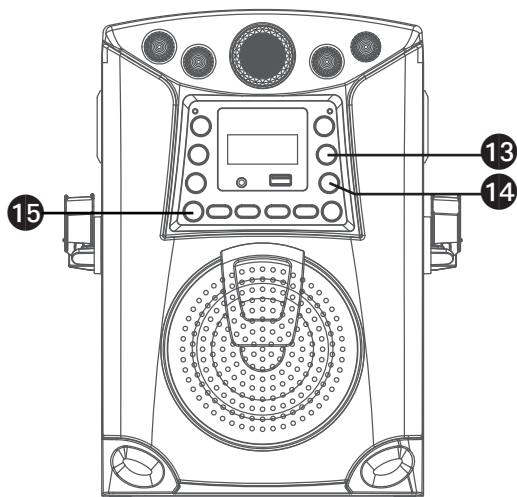
Note:

- Press the ■ button TWICE to stop and clear the program.

13 PAUSE: During playback, if you wish to pause the disc

Operation

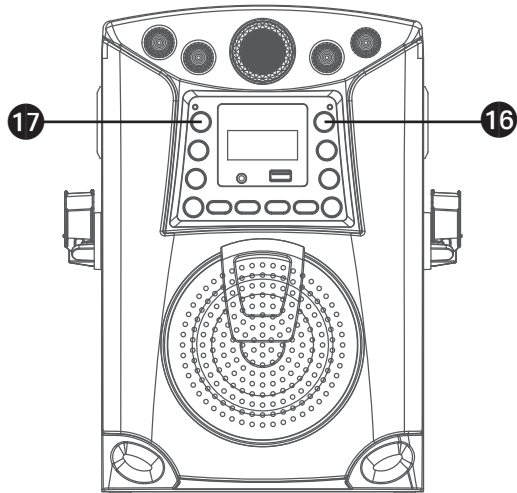
Playing a CDG (Continued)



momentarily, press the **▶||** button; the PLAY/PAUSE indicator will blink. Press again to resume normal playback.

14 Press the **■** button to stop playback.

15 VOICE EFFECTS: Repeatedly press the **VOICE EFFECTS** button to select from ECHO, FEMALE, MALE, CHIPMUNK, ROBOT or RADIO vocal effect. Select "EFO" to sing without any voice effect.



16 RECORD YOUR SINGING: Insert a USB drive first, then press the **●** button; the song will start over and recording will begin. When done recording, press the **●** button again to stop recording.

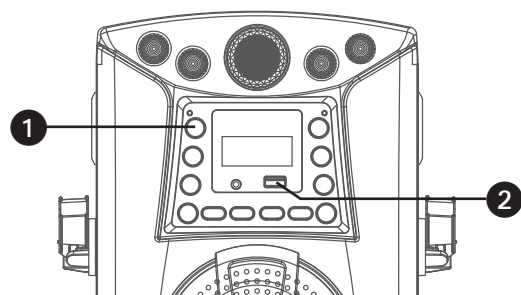
Notes:

- A USB drive (not included) must be inserted into USB slot to record.
- The recorded audio file will record onto the USB drive.
- See section "Playing Songs from the USB" to play back your recorded files.

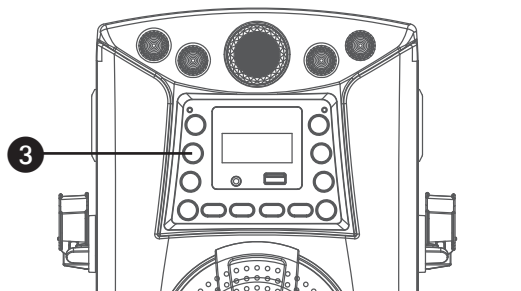
17 Press the **⏻** button to turn the unit off.

Operation

Playing Songs from the USB



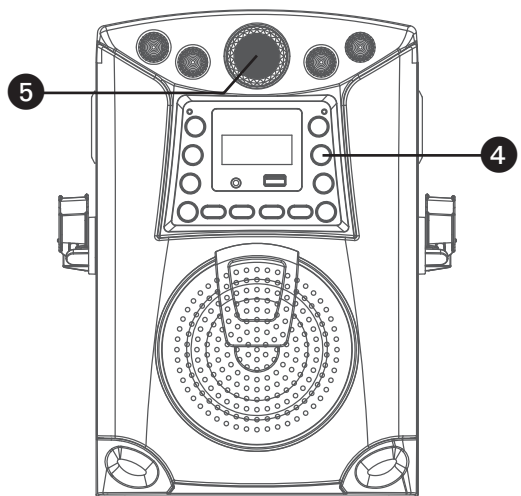
1 Connect the unit as described previously. Press the **⏻** button to turn the unit on.



2 Insert a USB flash drive into the USB port on the unit so it faces upward. Make sure to download music from the Karaoke store.

3 Repeatedly press the **FUNCTION** button to select the USB mode; "USB" will appear when searching the drive and then the total number of files will appear.

Note: The USB mode cannot be accessed until a flash drive is inserted.



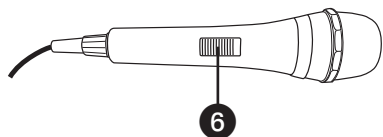
4 Press the **▶||** button to start playback; if listening to an MP3+G file, the image and lyrics will appear on the TV screen (if connected).

5 Adjust the volume to a comfortable level using the **MASTER VOLUME** control.

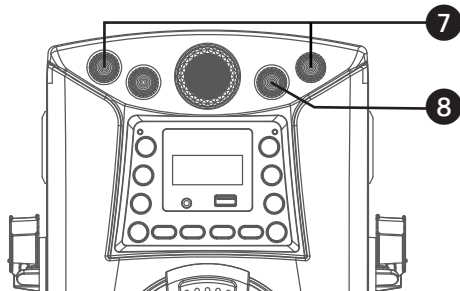
Note: If connected to a TV or other audio source, adjust the volume of the TV using its own volume control.

Operation

Playing Songs from the USB (Continued)

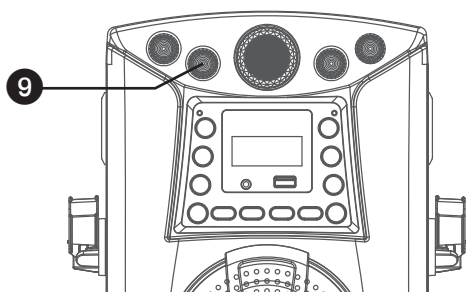


6 Connect microphone(s) and slide the **ON/OFF** switch on the microphone to the ON position.



7 Adjust the **MIC 1 or MIC 2 VOLUME** control as desired. Increasing this will increase the volume of respective microphone.

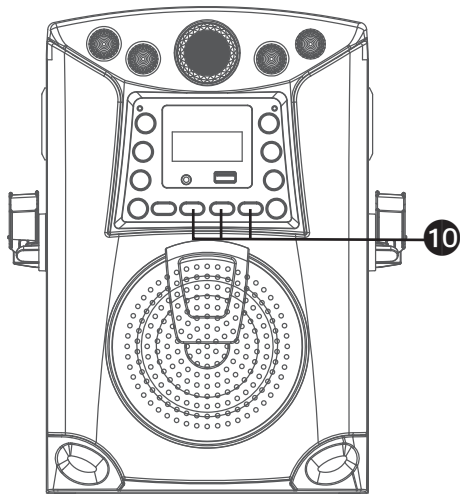
8 **AUTO VOICE CONTROL** can be activated by rotating the **AVC** control. The higher this control is set to, the more the vocals on the multiplex recording will be muted when the singer starts to sing through the microphone. When the singer stops singing, the recorded vocals on the multiplex recording will resume to normal.



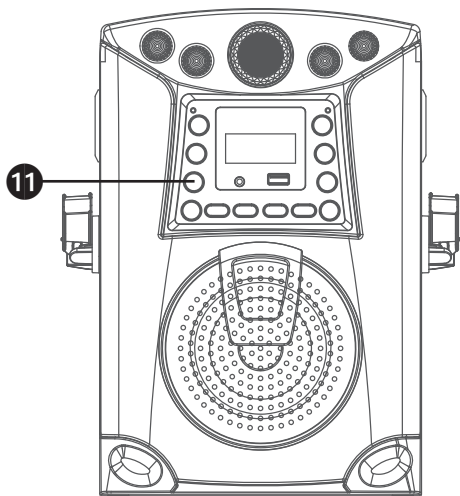
9 Rotate the **BALANCE** control clockwise to hear the music and recorded vocals from a multiplex recording or counterclockwise to hear the music only from a multiplex recording.

Operation

Playing Songs from the USB (Continued)



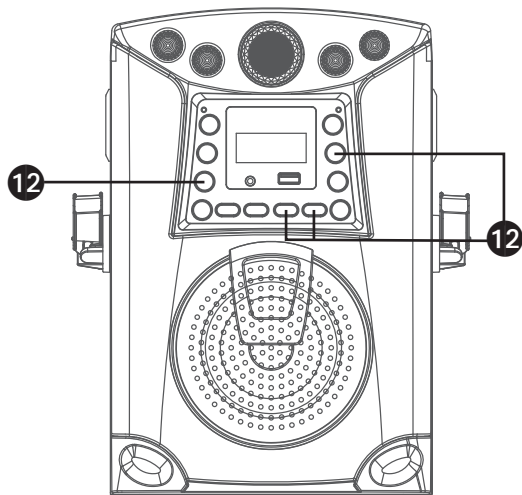
- 10 SKIP:** Advance or go back one track by pressing the **▶▶/◀◀** button. You can also skip ahead 10 files/tracks using the **SKIP 10+** button.



- 11 REPEAT:** During playback, press the **REPEAT/PROG** button once during playback, the Repeat indicator will blink and the current track will be repeated. Press the **REPEAT/PROG** button twice, the Repeat indicator will flash quickly, all MP3 tracks inside the current folder will be repeated continuously. Press the **REPEAT/PROG** button three times, the Repeat indicator will light solid, all MP3 tracks will be repeatedly. To stop repeat function by press the button again, the Repeat indicator will turns off.

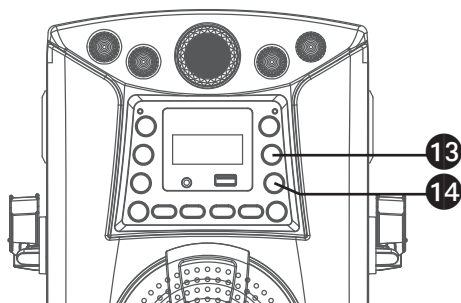
Operation

Playing Songs from the USB (Continued)



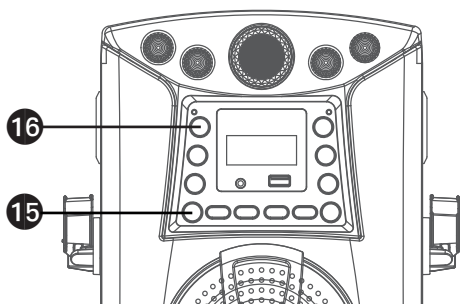
12 PROGRAM: You can program up to 20 tracks for playback in any desired order. While in Stop mode, press the **REPEAT/PROG** button; Program indicator will blink and “P00” appear. Select the first track using **◀◀** or **▶▶** buttons, then press the **REPEAT/PROG** button. Repeat to set up to 20 tracks into memory. When done, press the **▶▶** button to start playback.

Note: Press the **■** button TWICE to stop and clear the program.



13 PAUSE: During playback, if you wish to pause the music momentarily, press the **▶▶** button. Press again to resume normal playback.

14 Press the **■** button to stop playback.

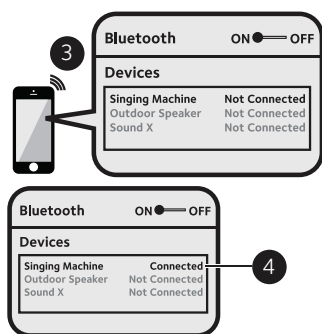
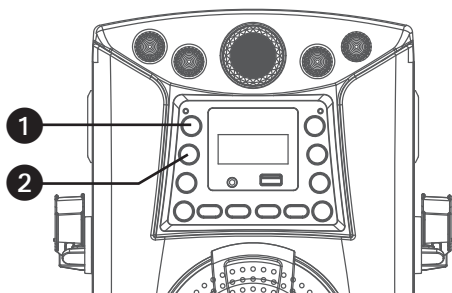


15 VOICE EFFECTS: Repeatedly press the **VOICE EFFECTS** button to select from ECHO, FEMALE, MALE, CHIPMUNK, ROBOT or RADIO vocal effect. Select “EFO” to sing without any voice effect.

16 Press the **⏻** button to turn the unit off.

Operation

Using a Bluetooth Device



- 1 Connect the unit as described previously. Press the **⏻** button to turn the unit on.
- 2 Press the **📶** button or repeatedly press the **FUNCTION** button to select the Bluetooth mode; “bt” will appear in the display and flashing. The unit automatically searches for and pairs a previously paired Bluetooth device (if previously paired). If no previously paired devices are present and you cannot find this unit on your bluetooth compatible device’s search list. Press and hold the **📶** button; display will flash alternatively “bt” & “pr” in 60 seconds.

Note: You can also press and hold the **📶** button to disconnect any paired devices in order to pair another device.

- 3 Turn on your device’s Bluetooth option in settings to search for a discoverable device with a Bluetooth signal. Select “**Singing Machine**” from the device results on the Bluetooth menu.

Note: Also refer to the user manual of your Bluetooth device for detailed instructions.

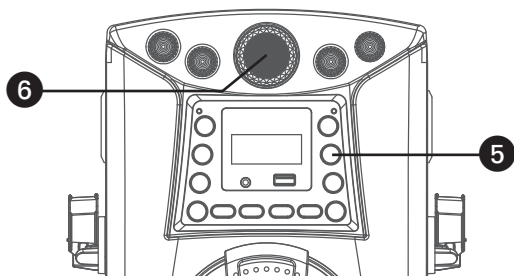
- 4 “bt” will light solid in the display and a successful pairing sound will be heard.

Notes:

- If your Bluetooth prompts you for a passcode during the pairing process, please enter “0000” to connect.
- On some Bluetooth devices, once pairing is complete, select your Bluetooth device as “Use as Audio Device” or similar.
- If connection is lost after successful pairing, check to make sure the distance between speaker and Bluetooth-enabled device does not exceed 30 feet/10 meters.
- “Bluetooth” will blink on TV screen, and will stop blinking after successful connection.

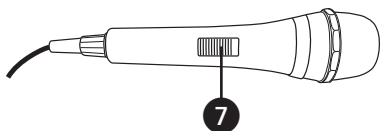
Operation

Using a Bluetooth Device (Continued)

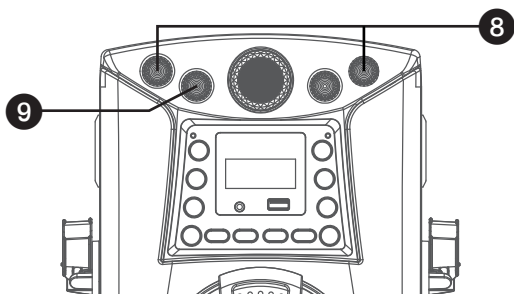


5 To control your Bluetooth device from this unit, press the **▶||** button to start playback. Press the **▶||** button during playback to pause the song.

6 Adjust the volume to a comfortable level using the **MASTER VOLUME** control on this unit as well as the volume on your Bluetooth device.

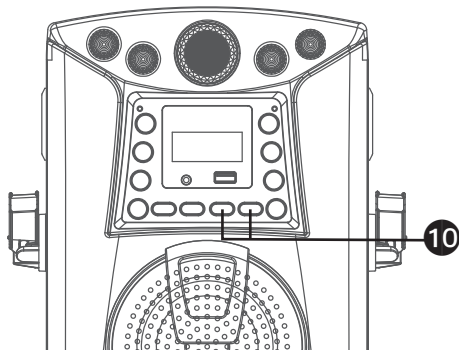


7 Connect microphone(s) and slide the **ON/OFF** switch on the microphone to the ON position.



8 Adjust the **MIC 1** or **MIC 2 VOLUME** control as desired. Increasing this will increase the volume of respective microphone.

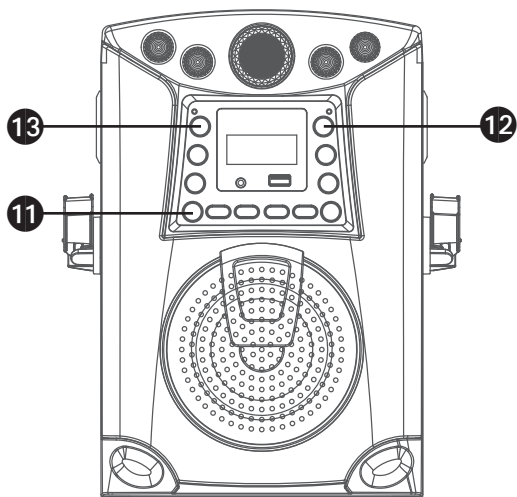
9 Adjust the balance between the speakers using the **BALANCE** control.



10 Advance or go back one track by pressing the **▶▶/◀◀** button.

Operation

Using a Bluetooth Device (Continued)



11 VOICE EFFECTS: Repeatedly press the **VOICE EFFECTS** button to select from ECHO, FEMALE, MALE, CHIPMUNK, ROBOT or RADIO vocal effect. Select “EFO” to sing without any voice effect.

12 RECORD YOUR VOCAL PERFORMANCE:
To record your singing as well as the music, press the ● button. Recording will begin and the record indicator will light solid. When done recording, press the ● button again; the record indicator will turn off.

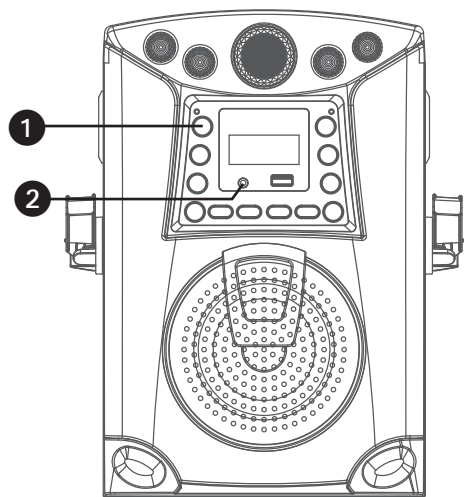
Notes:

- A USB drive (not included) must be inserted into USB slot to record.
- The recorded audio file will record onto the USB drive.
- See section “Playing Songs from the USB” to play back your recorded files.

13 Press the ⏻ button to turn the unit off.

Operation

Using the LINE IN Jack

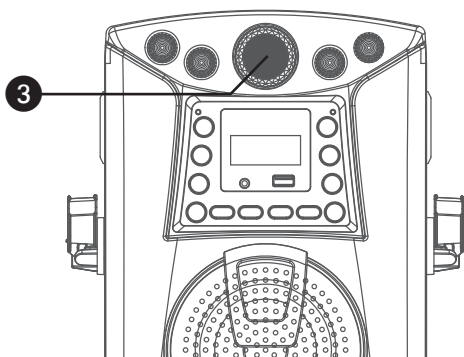


1 Connect the unit as described previously. Press the **⏻** button to turn the unit on.

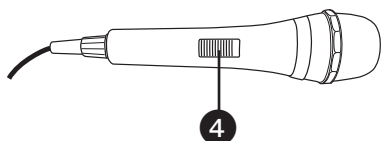
2 Connect the external unit to the LINE IN Jack on the front of this unit. Connecting an external unit will allow the audio to be played through your Singing Machine. Repeatedly press the **FUNCTION** button to select the Line In mode; "AU" will appear in display.

Notes:

- It is highly recommended to set the volume on the auxiliary unit to 1/3 or lower to avoid distortion.
- Skipping files/tracks is not possible on this unit when using an external device.



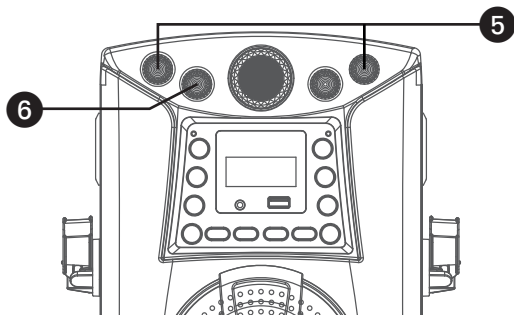
3 Adjust the volume using the **MASTER VOLUME** control on this unit or your external device's volume control.



4 Connect microphone(s) and slide the **ON/OFF** switch on the microphone to the ON position.

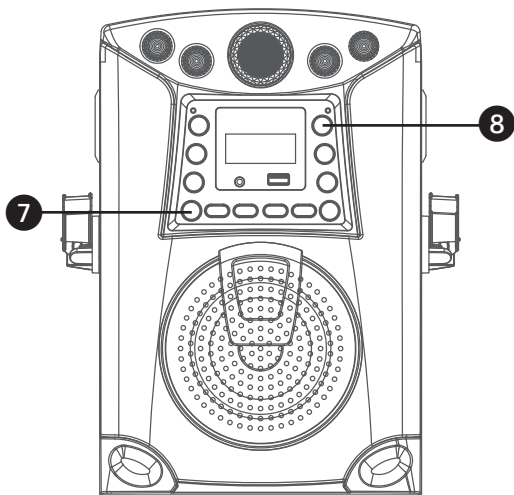
Operation

Using the LINE IN Jack (Continued)



5 Adjust the **MIC 1** or **MIC 2 VOLUME** control as desired. Increasing this will increase the volume of respective microphone.

6 Adjust the balance between the speakers using the **BALANCE** control.

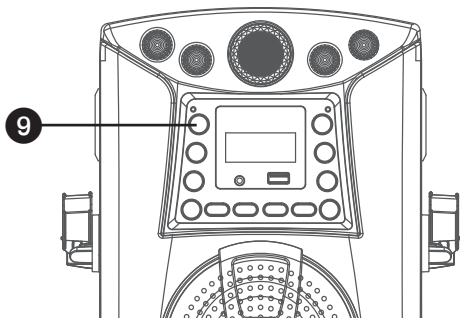


7 **VOICE EFFECTS:** Repeatedly press the **VOICE EFFECTS** button to select from ECHO, FEMALE, MALE, CHIPMUNK, ROBOT or RADIO vocal effect. Select "EFO" to sing without any voice effect.

8 **RECORD YOUR VOCAL PERFORMANCE:** To record your singing as well as the music, press the ● button. Recording will begin and the record indicator will light solid. When done recording, press the ● button again; the record indicator will turn off.

Notes:

- A USB drive (not included) must be inserted into USB slot to record.
- The recorded audio file will record onto the USB drive.
- See section "Playing Songs from the USB" to play back your recorded files.



9 Press the ⏻ button to turn the unit off.

Operation

Where to Download MP3+G Files

Helpful Hints:

The .mp3 and .cdg files are delivered for download in a single, compressed MP3+G.zip file. The MP3+G file cannot be played as a .zip file on a USB flash drive. To play karaoke songs using a USB flash drive, the MP3+G.zip file must be unzipped as follow:

- Connect a USB flash drive to your computer.
- Download the MP3+G file from your Digital Locker and save the .zip file to a folder on your computer.
- Double click the .zip file to open the .zip (you will see the .mp3 .cdg files to USB flash drive.
- Remove (eject) the USB flash drive from your computer.

Turn on the Singing Machine and connect the USB flash drive.

FAQ

- Where can I get additional help with the file formats?

While on the Singing Machine Store's web page, simply click **FILE FORMATS** at the lower left.

To purchase and download karaoke music, please visit <http://store.singmachine.com> to access over 15,000+ of your favourite karaoke songs. You will need a USB flash drive (not included) to transfer the downloads to this unit. Follow these easy steps:

- 1 Go to <http://store.singmachine.com> using your internet browser, and then register.
- 2 Select and purchase your favorite karaoke music from the Singing Machine Download Store.
- 3 Download your selected purchase(s) from the Singing Machine Digital Locker to your USB flash drive.
- 4 Insert the USB flash drive as shown on page E12 and have fun singing!

Note: Your downloaded songs can also be burned to a blank CDR/CDRW.

The screenshot shows the Singing Machine Store website interface. At the top, there are navigation links for "BROWSE ALL", "FEATURED PACKS", "SONGS", and "ARTISTS". Below this, a "FEATURED PACKS" section displays six music packs with their respective covers and prices. The packs are:

- GREATEST LOVE SONGS VOL. 2**: 25 Songs, 40% off regular price, \$10.00
- KARAOKE HITS VOLUME 3**: 10 Songs, 25% off regular price, \$15.00
- CLASSIC ROCK VOLUME 3**: 10 Songs, 25% off regular price, \$15.00
- ROCK ANTHEMS VOLUME 2**: 10 Songs, 25% off regular price, \$15.00
- MOTOWN CLASSICS VOLUME 1**: 10 Songs, 25% off regular price, \$15.00
- TOTALLY 80S VOLUME 1**: 10 Songs, 25% off regular price, \$15.00

Below the featured packs, there are three promotional banners:


- NOW OPTIMIZED FOR TABLETS AND MOBILE!**: Play your purchased songs in MY LIBRARY on any tablet or mobile device. Connect to your Singing Machine with Blue iTouch® for even more fun!
- FREE SONGS!**: When you register your Singing Machine or redeem your promo code, song credits may be added to your account. Make sure to redeem your song credits in your cart to access your free songs!
- SONG PACKS!**: Save time and money by purchasing karaoke song packs! Available for download or direct playback in MY LIBRARY!

At the bottom of the page, there are three navigation links: "RECENT RELEASES", "TOP SONGS", and "TOP ARTISTS".

Troubleshooting Guide

Should this unit exhibit a problem, check the following before seeking service:

No Power

- Power is not on; press the  button to turn power on.
- Confirm that the AC adapter is connected securely to the back of the unit.
- Connect the unit to a different outlet.
- The normal function of the product may be disturbed by strong Electro-Magnetic Interference. If so, simply restart the product to resume normal operation by following the instruction manual. In case the function could not resume, please use the product in other location.

No Sound – General

- Master Volume is set to minimum; raise volume.
- Correct Function was not selected; select using the **FUNCTION** button.
- If using an external device, raise the volume.

No Sound – If connected to a TV

- Volume on the TV is muted or too low.
- Correct source (usually AV) was not selected on the TV's menu.

Lyrics do not appear on the TV screen

- If connected to a TV, Video plug is not connected properly; see page E5.
- If connected to a TV, select the correct source on the TV (usually AV).
- The file/track being played is not a track recording with lyrics. These are the only files that allow you to view the lyrics on the TV screen.
- Nothing will appear on the TV screen when using Line In or Bluetooth.


File(s) on USB jack not playing

- The file is corrupted; replace the file.
- The file is not in a format this unit will play.
- The connected USB device is not supported by the product.

No sound from the microphone

- Make sure the microphone is firmly connected to the MIC 1 or MIC 2 jack.
- Make sure the **ON/OFF** switch on the microphone is set to the ON position.
- Make sure the **MIC 1 & MIC 2 VOLUME** setting is not set too low.
- **MASTER VOLUME** is set to minimum; raise volume.

The Bluetooth device cannot be paired or connected with the unit

- You have not activated the Bluetooth function of your device; see page E16 or refer to the Bluetooth device user's manual.
- The system is not in pairing mode; press and hold the  button to restart pairing.

The Music is not available on the unit after successfully connecting the Bluetooth

- Ensure your Bluetooth device can support the A2DP Bluetooth profile.
- The volume on the external Bluetooth device is set to low or muted; raise as desired.

Specifications

AUDIO

OUTPUT POWER (MAXIMUM).....	3.5 Watts (RMS)
OUTPUT IMPEDANCE.....	3 Ohms

CD PLAYER SECTION

FREQUENCY RESPONSE.....	100Hz - 20kHz
SIGNAL-TO-NOISE RATIO.....	50dB

BLUETOOTH

Bluetooth Version.....	V5.0
Working Distance.....	Up to 30 feet/10 meters measured in open space

USB

Format.....	FAT32
Maximum Compatibility.....	32GB

AUX IN SECTION	3.5 mm Stereo Headphone Jack
MICROPHONE	-74db 600 Ohm Impedance with 6.3 mm Dynamic Microphone

POWER SECTION	DC 5.8V 1.5A
----------------------------	--------------

POWER CONSUMPTION	8.7 W
--------------------------------	-------

DIMENSIONS (HxWxD)	12.8 x 10.5 x 8.1 inches / 32.7 x 26.6 x 20.6 cm
---------------------------------	--



WEIGHT	4.6 lbs / 2.1 kgs
---------------------	-------------------

Specifications are subject to change without notice.



The Bluetooth® word mark and logos are registered trademarks owned by Bluetooth SIG, Inc. and any use of such marks and logos by The Singing Machine Company, Inc. is under license. Other trademarks and trade names are those of their respective owners.

Advertencias

	PRECAUCIÓN RIESGO DE DESCARGA ELÉCTRICA NO ABRIR	
PRECAUCIÓN: PARA REDUCIR EL RIESGO DE DESCARGAS ELÉCTRICAS, NO quite la cubierta (ni la tapa posterior) NO HAY PIEZAS REPARABLES POR EL USUARIO DENTRO. DERIVE LAS REPARACIONES A PERSONAL DE SERVICIO CALIFICADO. Las marcas de Precaución se ubican en el panel reverso.		



TENSIÓN PELIGROSA: La luz intermitente con símbolo de flecha dentro de un triángulo pretende alertar al usuario de la presencia de tensión peligrosa no aislada, dentro del paquete del producto, que puede ser de magnitud suficiente para constituir un riesgo de descarga eléctrica para las personas.



ATENCIÓN: El signo de exclamación dentro de un triángulo pretende alertar al usuario de la presencia de instrucciones importantes de operación y mantenimiento (reparaciones) en el material que acompaña a este producto.

ADVERTENCIA DE GOTEOS: Este producto no se podrá exponer a goteo o salpicaduras, y no se colocará ningún objeto lleno con líquidos, como jarrones, encima del producto.

ADVERTENCIA DE VENTILACIÓN: La ventilación normal del producto no se bloqueará si se le da el uso previsto.

Este producto cumple con las normas DHHS 21 CFR del capítulo 1, subcapítulo J que aplican desde la fecha de fabricación.

Advertencias:

- Este reproductor de CD utiliza un haz de luz láser. Solo la persona de reparaciones calificada es quien puede retirar la cubierta y reparar este dispositivo debido a posibles lesiones en la vista.
- El uso de controles, ajustes o la realización de procedimientos que no sean los especificados en el presente pueden producir exposición a radiación peligrosa.
- El artefacto deberá utilizarse en un espacio abierto.

PRECAUCIÓN!

Si la caja se abre o el dispositivo de seguridad se destruye, puede producirse la emisión invisible de radiación láser. Evite la exposición al haz de luz.

ADVERTENCIA: PARA EVITAR INCENDIOS O PELIGROS DE DESCARGA, NO EXPONGA ESTA UNIDAD A LA LLUVIA O HUMEDAD.

AVISO DE LA FCC: Este equipo puede generar o usar energía de radio frecuencia. Los cambios o modificaciones realizados en el aparato pueden provocar interferencia perjudicial, a menos que dichas modificaciones estén autorizadas en el manual de instrucciones. El usuario puede perder toda autoridad para operar el equipo si realiza cambios o modificaciones sin autorización.

Este aparato cumple con la parte 15 de las Normas de la FCC. El funcionamiento está sujeto a las dos condiciones que figuran a continuación: (1) Es probable que no cause interferencia perjudicial y (2) deberá aceptar cualquier interferencia recibida, incluyendo la interferencia que pueda llegar a causar un funcionamiento indeseado.

Este equipo cumple con los límites de exposición a radiación de FCC estipulados para un ambiente no controlado. Este equipo debería instalarse y operarse con una distancia mínima de 20 centímetros entre el radiador y su cuerpo.

NOTA: Este equipo fue probado y se concluyó que cumple con los límites establecidos para los dispositivos digitales Clase B, de acuerdo con el Apartado 15 de las normas de la FCC. Estos límites fueron pensados para proporcionar protección razonable ante la interferencia perjudicial en una instalación residencial. Este equipo genera, usa y puede emitir energía de radio frecuencia y, si no se lo instala y utiliza de conformidad con las instrucciones, puede causar interferencia perjudicial a las comunicaciones radiales. No obstante, no existe ninguna garantía de que no se produzca interferencia en una instalación en particular. Si este equipo provoca interferencia perjudicial a la recepción de radio o televisión, lo cual puede determinarse apagando y encendiendo el equipo, el usuario puede intentar corregir la interferencia de alguna/s de las siguientes maneras:

- Reoriente la antena receptora o ubíquela en otro lugar.
- Aumente la distancia entre el equipo y el receptor.
- Conecte el equipo a un tomacorriente de un circuito distinto al que está conectado el receptor.
- Consulte al distribuidor o a un técnico experimentado de radio y televisión para que lo asesore.

La información de clasificación está ubicada en la parte posterior de la unidad.

Información importante sobre seguridad

1. Lea estas instrucciones.
2. Conserve estas instrucciones.
3. Preste atención a todas las advertencias.
4. Siga todas las instrucciones.
5. No utilice este artefacto cerca del agua.
6. Límpielo únicamente con un paño seco.
7. No obstruya las aberturas para ventilación. Instálelo de acuerdo con las instrucciones del fabricante.
8. No instale cerca de fuentes de calor, como radiadores, rejillas de calefacción, estufas u otros aparatos (incluso amplificadores) que produzcan calor.
9. No desafíe el fin de seguridad del enchufe polarizado o de conexión a tierra. Un enchufe polarizado tiene dos clavijas y una es más ancha que la otra. El enchufe de conexión a tierra tiene dos clavijas, y una tercera punta a tierra. La clavija ancha o la tercera punta se suministran para su seguridad. Si el enchufe suministrado no coincide con su tomacorriente, consulte con un electricista para reemplazar el tomacorriente obsoleto.
10. Evite pisar o apretar el cable de alimentación, especialmente en los enchufes, tomacorrientes y en el punto por donde salen del artefacto.
11. Utilice sólo los complementos y accesorios especificados por el fabricante.
12. Utilice la unidad sólo con el carro, soporte, trípode, repisa mesa recomendados por el fabricante, o que se vendan junto con el

producto. Cuando se utiliza un carro, tenga cuidado cuando mueva el carro y artefacto junto a para evitar lesiones producidas por la caída del producto.

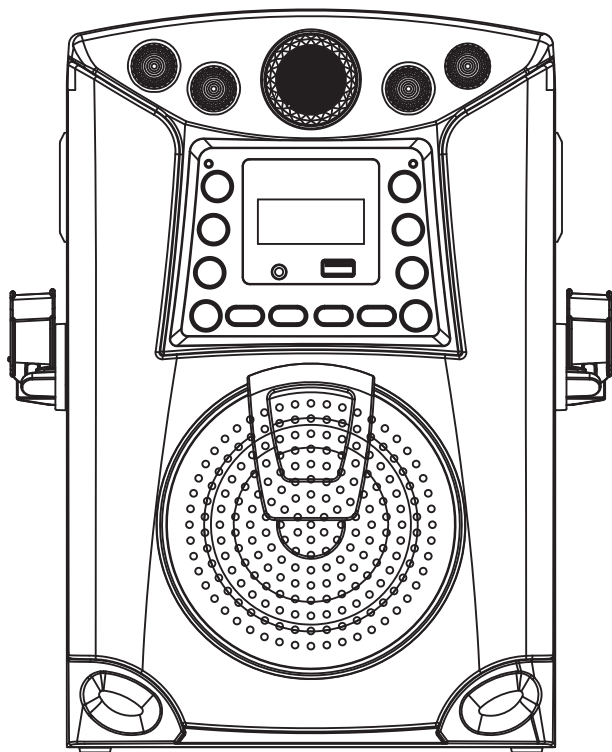
13. Desenchufe este artefacto durante las tormentas eléctricas o cuando no se lo utilice durante períodos prolongados.
14. Derive todas las reparaciones al personal de reparaciones calificado. Es necesario reparar el artefacto cuando se encuentra dañado, por ejemplo, cuando el cable de suministro de energía o el enchufe están dañados, cuando se derrama líquido sobre la unidad o caen objetos dentro del mismo, cuando el producto ha estado expuesto a la lluvia o a la humedad, cuando no funciona con normalidad o cuando se ha caído.
15. **ADVERTENCIA:** Para reducir el riesgo de incendio o descarga eléctrica, no exponga este artefacto a la lluvia o la humedad. No coloque objetos llenos de agua, como jarrones, sobre el aparato.
16. El enchufe de conexión de CA se utiliza como dispositivo de desconexión eléctrica y deberá estar siempre accesible y en funcionamiento durante el uso previsto. Para desconectar completamente el aparato de la electricidad, el enchufe de conexión deberá quitarse por completo del tomacorriente de CA.
17. **PRECAUCIÓN:** Para reducir el riesgo de incendio o explosión no exponga las baterías al calor excesivo, como al rayo del sol, fuego u otras fuentes de calor.

ADVERTENCIA SOBRE EL CARRO PORTÁTIL
(símbolo provisto por RETAC)

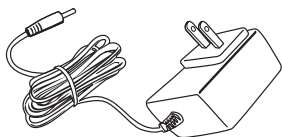


Se incluyen

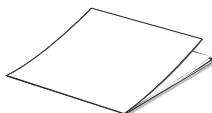
Contenido de la caja.



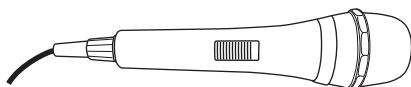
Unidad principal



Adaptador de CA

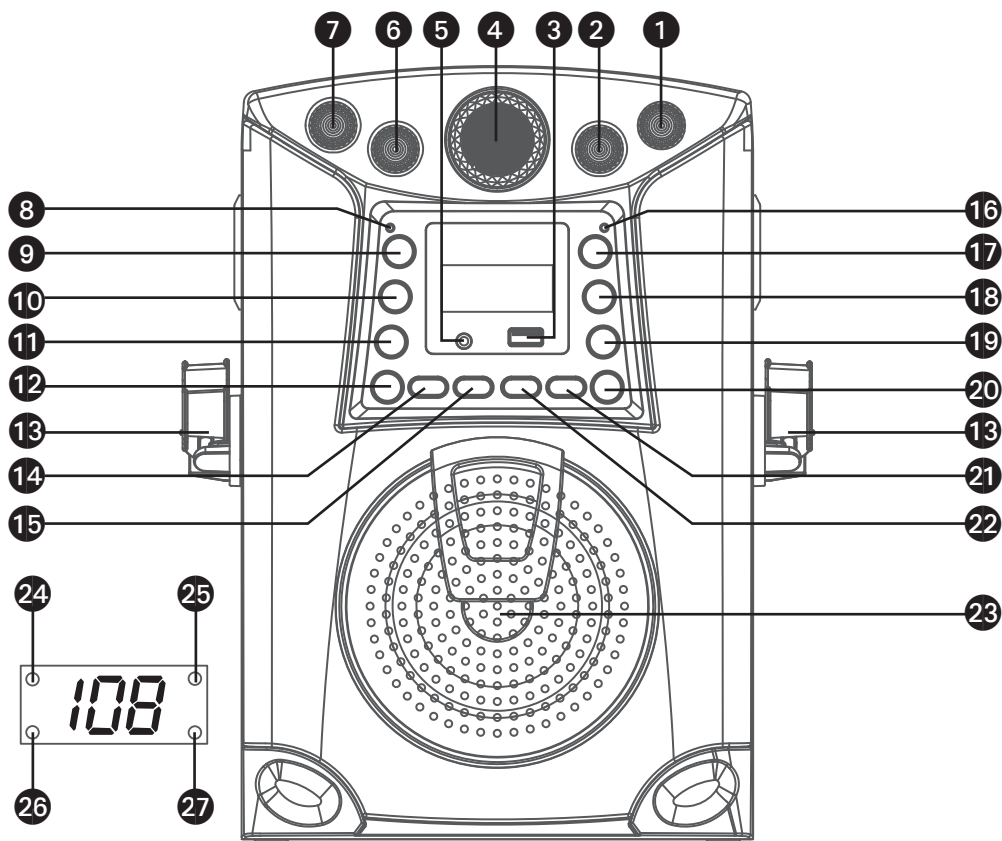


Manual



Micrófono con cable

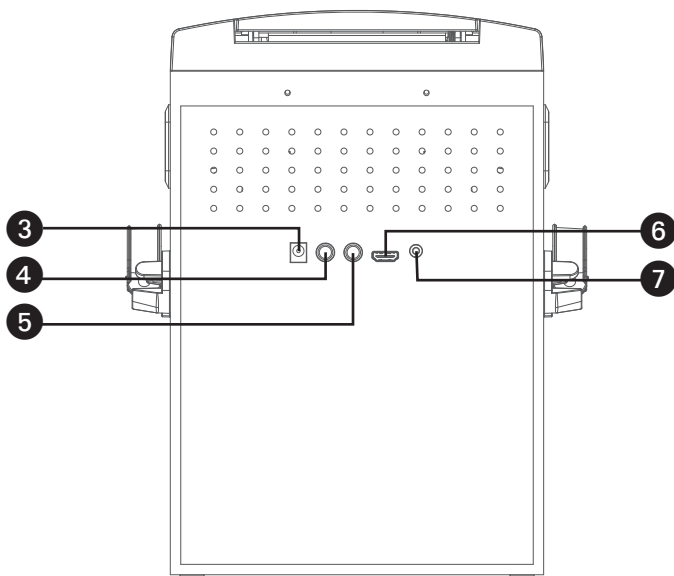
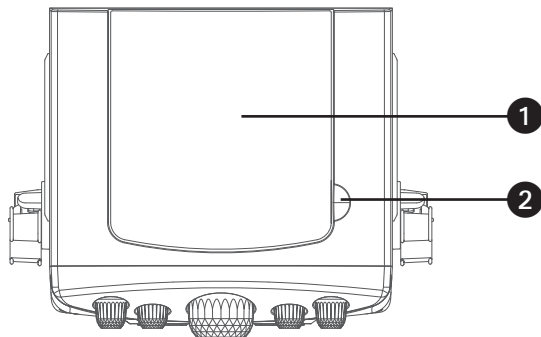
Ubicación de controles (delantero)



Pantalla

- | | | |
|--|---|--|
| 1. Control de VOLUMEN DEL MICRÓFONO 2 (MIC 2 VOLUME) | 9. Botón de ENCENDIDO/ ESPERA | 19. Botón de Detener (Stop) |
| 2. Control de VOZ AUTOMÁTICO (AUTO VOICE) | 10. Botón de FUNCIÓN | 20. Botón de EMPAREJAMIENTO DE BLUETOOTH |
| 3. Puerto USB | 11. Botón de REPETIR/ PROGRAMAR (REPEAT/ PROGRAM) | 21. Botón Salto hacia adelante (Skip Forward) |
| 4. Control de VOLUMEN PRINCIPAL (MASTER VOLUME) | 12. Botón EFECTO DE VOZ (VOICE EFFECTS) | 22. Botón de Saltar anterior (Skip Back) |
| 5. Conector de ENTRADA DE LÍNEA | 13. Porta micrófono | 23. Altavoz |
| 6. Control de BALANCE | 14. Botón LUZ | 24. Indicador CDG |
| 7. Control de VOLUMEN DEL MICRÓFONO 1 (MIC 1 VOLUME) | 15. Botón para saltar 10+ | 25. Indicador de Reproducir/ Pausar (Play/Pause) |
| 8. Indicador de encendido | 16. Indicador de grabación | 26. Indicador de REPETICIÓN (REPEAT) |
| | 17. Botón de GRABAR (RECORD) | 27. Indicador de PROGRAMA (PROGRAM) |
| | 18. Botón Reproducir/ Pausar (Play/Pause) | |

Ubicación de los controles (Superior/reverso)



VISTA SUPERIOR

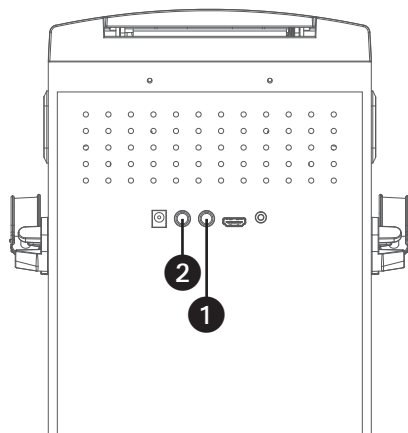
1. Tapa del CD
2. CD abierto

Reverso

3. Conector de entrada de CC
4. Conector para micrófono 2
5. Conector para micrófono 1
6. Conector HDMI
7. Conector de LÍNEA DE SALIDA

Conexión

Conexión de micrófono(s)

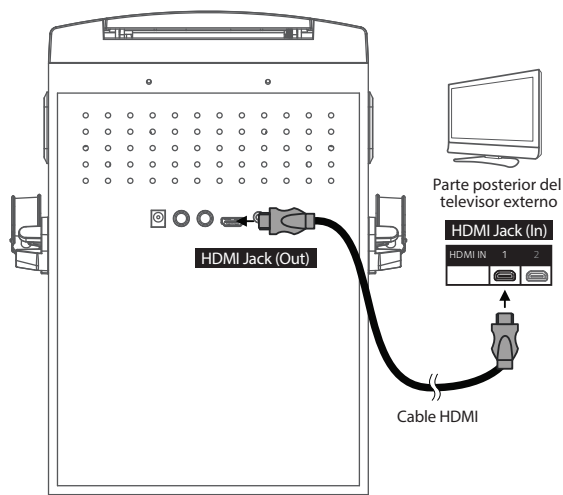


Micrófonos:

Conecte un micrófono en la entrada para micrófono 1 y el otro micrófono en la entrada para micrófono (si lo desea).

Nota: No arroje o dé golpecitos al micrófono, puede dañar el micrófono o los parlantes. No gire el micrófono por el cable porque causará daños al cable interno.

Conexión de la unidad a un televisor



Para que se reproduzca el video, las letras y el audio en su televisor, siga los siguientes pasos:

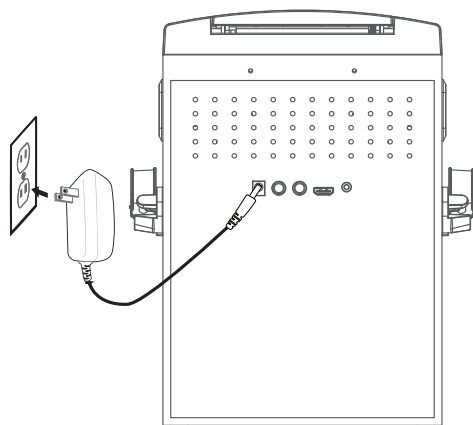
Conecte el cable de HDMI (incluido) en el conector de HDMI en la parte posterior de la unidad. Conecte el otro extremo del cable de HDMI en la entrada de HDMI de su televisor.

Notas:

- Esta unidad puede utilizarse con o sin televisor, pero es altamente recomendable usar uno para aprovechar todas las funciones.
- También consulte la Guía de usuario del televisor.
- Para ver las letras de canciones en la pantalla, debe usar un disco CD+G.

Conexión

Conexión de corriente

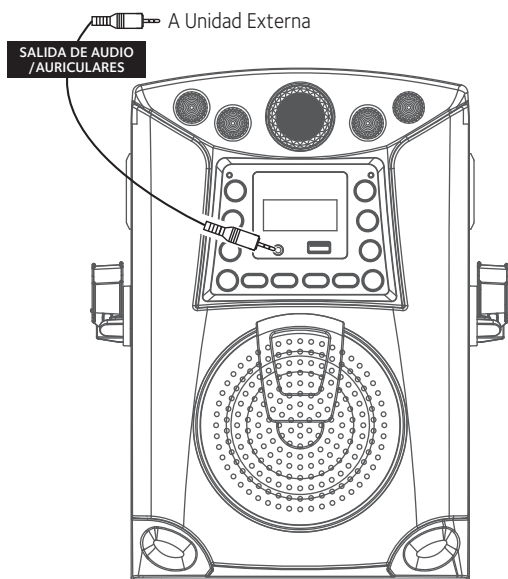


Introduzca el cable de corriente de CA en un tomacorriente de CA con 120V de CA, 60 Hz.

Nota:

Haga todas las conexiones antes de enchufar a la corriente de CA.

Conexión a entrada de línea



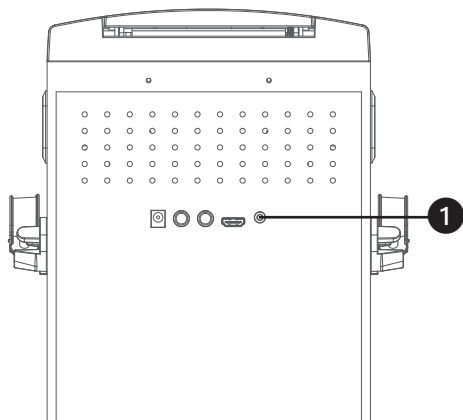
Conecte su dispositivo externo utilizando un cable adecuado (no se incluye el cable de audio de 3,5mm) como se muestra.

Nota:

Consulte la página S19 para seleccionar y utilizar la función de entrada de línea.

Conexión

Conectando al conector de línea de salida (Line Out)

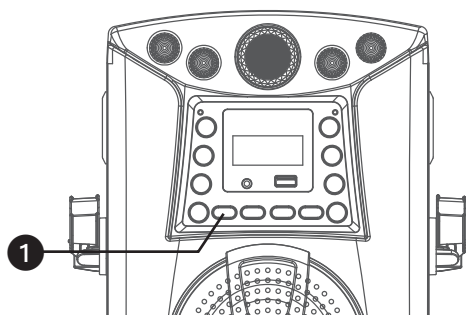


- 1 Esta unidad se puede conectar a otro sistema de audio para una mayor salida de sonido a través de un cable AUX de 3,5 mm (no incluido).

Conecte en extremo del cable AUX en el conector de **línea de salida (Line Out)** ubicado en la parte posterior de la máquina.

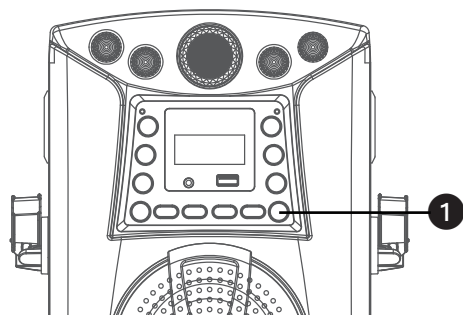
Conecte el otro extremo del cable AUX en el conector de línea de entrada (Line In) en el otro dispositivo de audio. Tal vez necesite remitirse a las instrucciones de su otro dispositivo de audio para más detalles.

Modo de luz



- 1 Oprima el botón **LUZ (LIGHTS)** para encender el efecto de luz, oprímalo nuevamente para apagarlo.

Modo Bluetooth



Oprima el botón **Bluetooth** para configurar fácilmente la máquina en modo de bluetooth.

Nota: Consulte la página S16 para obtener instrucciones de funcionamiento de Bluetooth.

Funcionamiento

Reproducción de un CDG

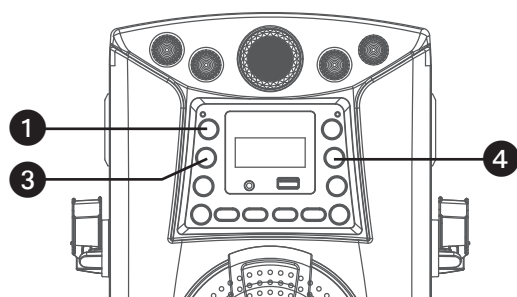
Esta unidad está diseñada para reproducir CD y CDG con el logotipo de identificación respectivamente. Si el disco no cumple con el estándar, es posible que no se reproduzca correctamente.


Notas:

• ¿Qué es un CD+G?

Un CD+G (CD+ Graphics), es el formato estándar para la mayoría de los discos de karaoke que mostrarán las letras de canciones en pantalla.


- Nunca coloque nada que no sea un CD en el compartimiento, como por ejemplo objetos extraños que puedan dañar la unidad.
- Si no introduce un disco, "NO DISC" aparecerá en la pantalla de LCD.

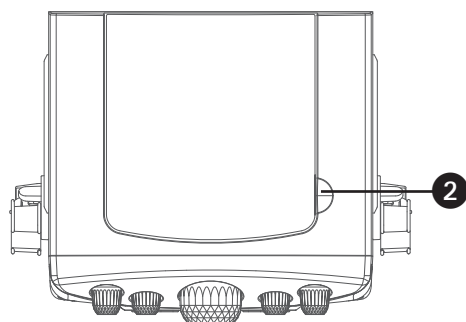


1 Conecte la unidad como se describió antes; si utiliza CD+G, se recomienda que conecte un televisor. Oprima el botón de  para encender la unidad.

2 Abra el compartimiento de CD e introduzca un CD o un CD+G presionándolo cuidadosamente en el husillo central. Cierre la tapa del CD.

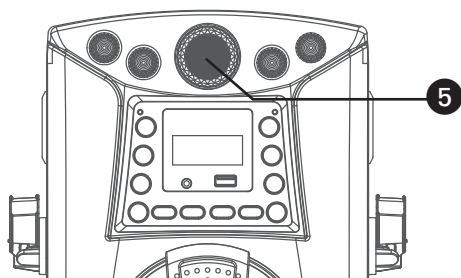
3 Presione varias veces el botón **FUNCTION** para seleccionar el modo CDG/CD; aparecerá "--" cuando busque el disco. Luego, aparecerá la cantidad total de pistas.

4 Presione **REPRODUCCIÓN/PAUSAR (PLAY/PAUSE **) para comenzar la reproducción; si está escuchando un archivo CD+G, en la pantalla del televisor aparecerá la imagen y la letra (si está conectado) y se encenderá la luz indicadora de REPRODUCCIÓN/PAUSAR (PLAY/PAUSE) y CDG.



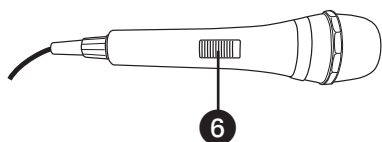
Funcionamiento

Reproducción de un CDG (Continuación)



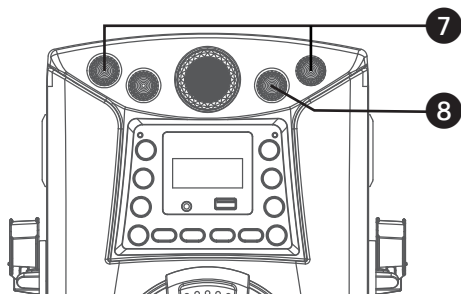
5

Ajuste el volumen a un nivel conveniente, usando el control de **VOLUMEN PRINCIPAL**.



6

Conecte los micrófonos y ubique el interruptor de **ENCENDIDO/APAGADO (ON/OFF)** del micrófono en la posición de ENCENDIDO (ON).

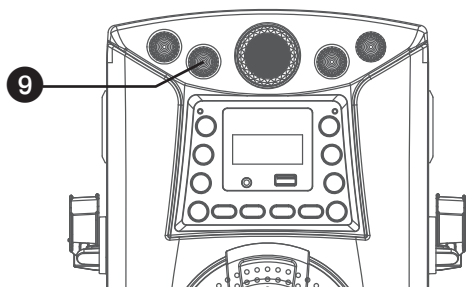


7

Ajuste el control de **VOLUMEN DEL MICRÓFONO 1 & 2 (MIC VOLUME 1 & 2)** hasta el nivel deseado. Al aumentar el nivel de este control se incrementará el volumen de los dos micrófonos.

8

Puede activarse el control de **AVC** (Control Automático de Voz) girando este control. Cuanto más alto se ajuste este control, más se silenciarán las voces de la grabación multiplex cuando el cantante comience a cantar ante el micrófono. Cuando el cantante deje de cantar, las voces grabadas en la grabación multiplex volverán a la normalidad.



9

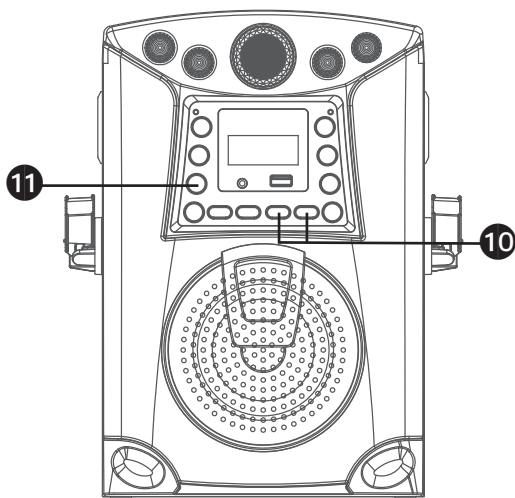
Gire el control **BALANCE** hacia la derecha para escuchar la música y las voces grabadas en una grabación multiplex o hacia la izquierda para escuchar solamente la música en una grabación multiplex.

Nota:

Para usar el control **BALANCE**, debe utilizarse un disco CD+G, de lo contrario funcionará como un control de balance estándar.

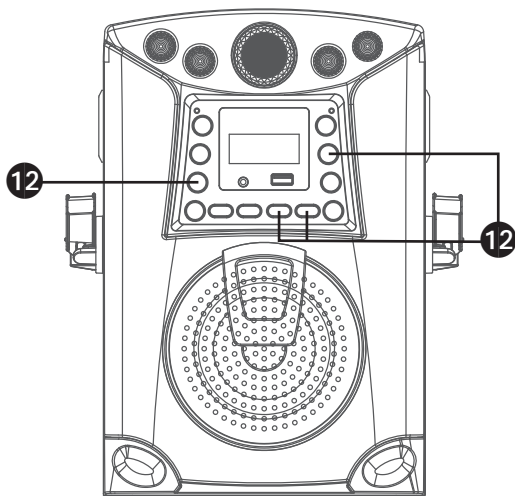
Funcionamiento

Reproducción de un CDG (Continuación)



10 SALTO: Avance o retroceda una pista oprimiendo los botones de ►►/◄◄

11 FUNCIÓN REPETIR: Durante la reproducción, presione **REPETIR/ PROGRAMAR (REPEAT/PROGRAM)** una vez para que se reproduzca varias veces la canción seleccionada; el indicador Repetir (Repeat) parpadeará. Presione el botón **REPETIR/ PROGRAMAR (REPEAT/ PROGRAM)** una segunda vez para que se reproduzca varias veces el CD completo; el indicador Repetir (Repeat) quedará encendido y fijo. Presiónelo nuevamente para cancelar la función Repetir, el indicador **REPETIR (REPEAT)** se apagará.



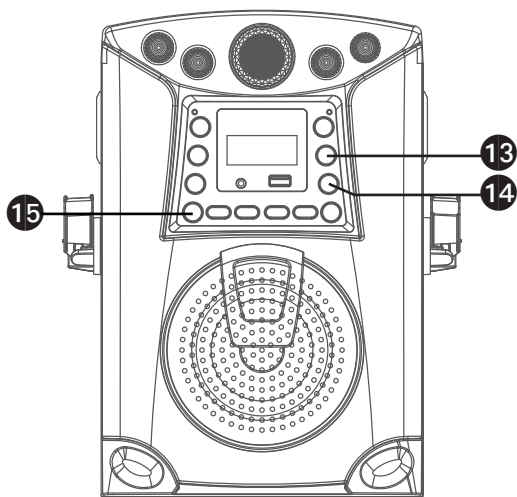
12 PROGRAMAR: Puede programar hasta 20 pistas de cualquier disco para reproducir en el orden deseado. Mientras se encuentre en el modo Detener (Stop), presione **REPETIR/ PROGRAMAR (REPEAT/PROGRAM)**; el indicador Programar (Program) parpadeará y aparecerá "P00". Seleccione la primera pista con los botones **Salto hacia atrás/adelante ►►/◄◄**. Presione **REPETIR/ PROGRAMAR (REPEAT/PROGRAM)** nuevamente para confirmar la entrada. Después de seleccionar las pistas deseadas, la pantalla mostrará P01, P02, etc. reconociendo que las pistas seleccionadas se han programado y el indicador de programa se iluminará con luz roja fija. Repita hasta agregar un máximo de 20 pistas a la memoria. Al finalizar, presione el botón **REPRODUCIR/PAUSAR (PLAY/ PAUSE ►||)** para comenzar la reproducción.

Nota:

- Oprima **DOS VECES DETENER (STOP ■)** para detener y eliminar el programa.

Funcionamiento

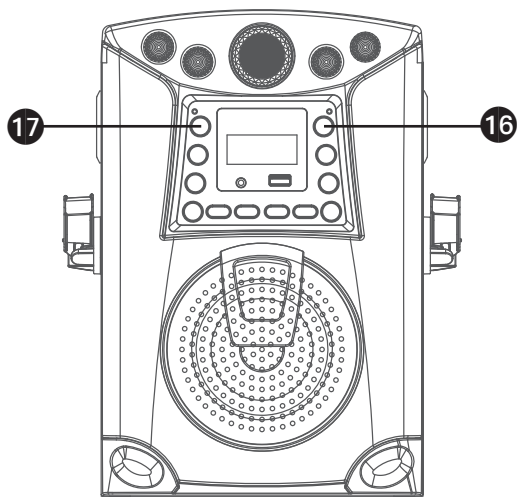
Reproducción de un CDG (Continuación)



13 PAUSAR (PAUSE): Durante la reproducción, si desea pausar momentáneamente el disco, oprima **REPRODUCIR/ PAUSAR (PLAY/ PAUSE ►||)**; el indicador REPRODUCIR/ PAUSAR (PLAY/PAUSE) parpadeará. Oprima nuevamente para reanudar la reproducción normal.

14 Oprima **DETENER (STOP ■)** para detener la reproducción.

15 EFECTOS DE VOZ: Repetidamente oprima los botones **EFECTOS DE VOZ (VOICE EFFECTS)** para seleccionar entre los efectos vocales ECO, FEMENINO, MASCULINO, ARDILLA, ROBOT o RADIO. Seleccione "EFO" para cantar sin efectos de voz.



16 CÓMO GRABAR LO QUE CANTA: Introduzca primero un dispositivo USB, luego presione el botón **GRABAR (RECORD) ●**; la canción comenzará de nuevo y se iniciará la grabación. El indicador de grabación se iluminará sin parpadear. Cuando finalice de grabar, oprima nuevamente **GRABAR (RECORD) ●** para detener la grabación; El indicador de grabación se apagará.

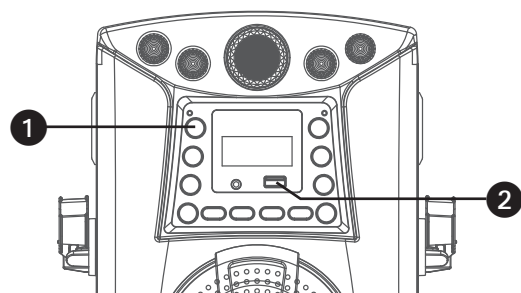
Notes:

- Una unidad USB (no incluida) insertado en la ranura USB para grabar.
- El archivo de audio grabado se almacenará en el dispositivo USB.
- Consulte la sección "Cómo reproducir canciones desde un USB" para volver a reproducir los archivos grabados.

17 Oprima **⏻** para apagar la unidad.

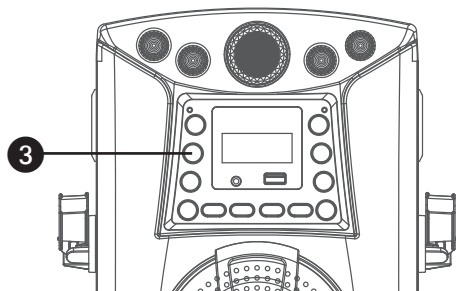
Funcionamiento

Reproducir canciones desde el USB



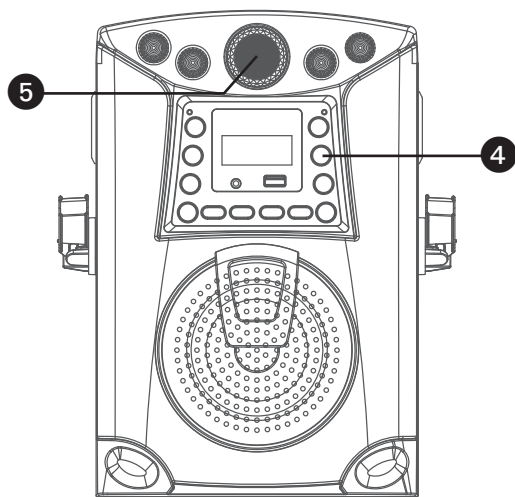
1 Conecte la unidad como se describió previamente. Oprima **POWER** para encender la unidad.

2 Introduzca un dispositivo flash USB en el puerto USB de la unidad de forma tal que esté hacia arriba. Asegúrese de descargar música de la tienda de karaoke.



3 Presione varias veces el botón **FUNCTION** para seleccionar el modo USB; aparecerá "USB" cuando busque el dispositivo y después aparecerá la cantidad total de archivos.

Nota: No se puede acceder al modo USB hasta que no se introduce un dispositivo flash.



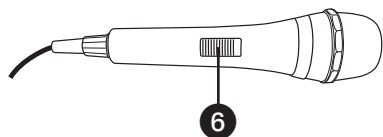
4 Presione el botón **REPRODUCIR/PAUSA (PLAY/PAUSE ►||)** para comenzar la reproducción. Si está escuchando un archivo MP3+G, la imagen y la letra aparecerán en la pantalla del televisor (si está conectado).

5 Ajuste el volumen a un nivel conveniente, usando el **control de VOLUMEN PRINCIPAL (MASTER VOLUME)**.

Nota: Si se conecta a un televisor u otra fuente de audio, ajuste el volumen del televisor con su propio control de volumen.

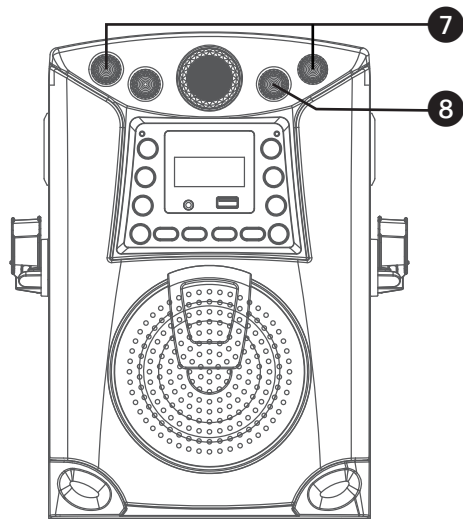
Funcionamiento

Reproducir canciones desde el USB (Continuación)



6

Conecte los micrófonos y ubique el interruptor de **ENCENDIDO/APAGADO (ON/OFF)** del micrófono en la posición de ENCENDIDO (ON).

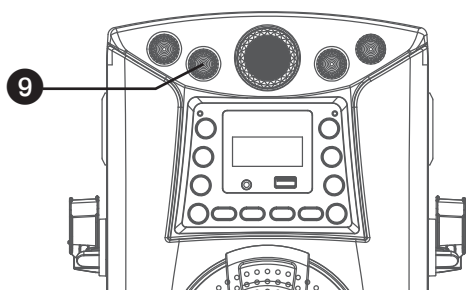


7

Ajuste el control de **VOLUMEN DEL MICRÓFONO 1 o 2 (MIC 1 or 2 VOLUME)** hasta el nivel deseado. Al aumentar el nivel de este control se incrementará el volumen de los dos micrófonos.

8

Puede activarse el control de **AVC** girando este control. Cuanto más alto se ajuste este control, más se silenciarán las voces de la grabación multiplex cuando el cantante comience a cantar ante el micrófono. Cuando el cantante deje de cantar, las voces grabadas en la grabación multiplex volverán a la normalidad.

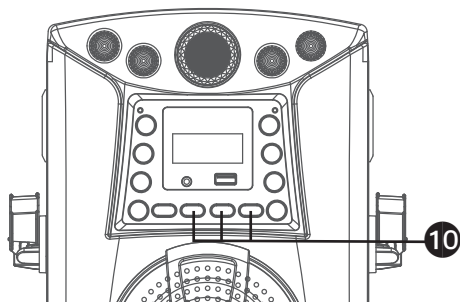


9

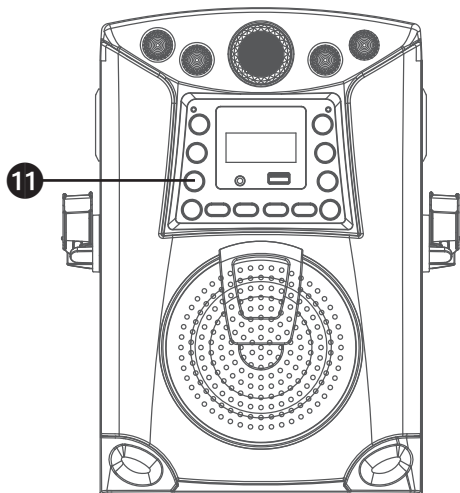
Gire el control **BALANCE** hacia la derecha para escuchar la música y las voces grabadas en una grabación multiplex o hacia la izquierda para escuchar solamente la música en una grabación multiplex.

Funcionamiento

Reproducir canciones desde el USB (Continuación)



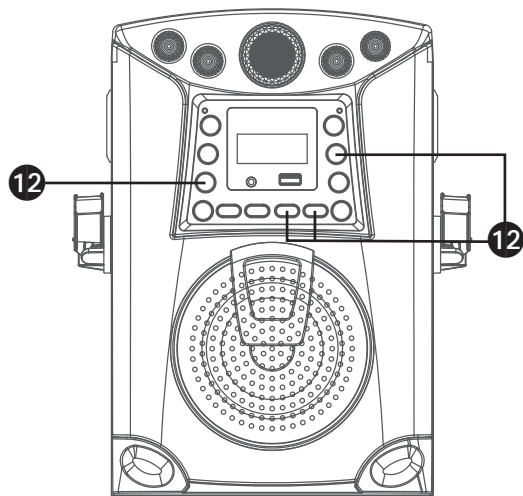
- 10** **SALTO (SKIP):** Avance o retroceda una pista presionando los botones **▶▶/◀◀**. También puede saltar 10 archivos/pistas hacia adelante con el botón Salto 10+ (Skip10+).



- 11** **REPETIR (REPEAT):** Durante la reproducción, presione el botón **REPETIR/ PROGRAMAR (REPEAT/ PROGRAM)** una vez, el indicador de REPETIR (REP) parpadeará y se repetirá la pista actual. Oprima dos veces el botón **REPETIR/ PROGRAMAR (REPEAT/PROGRAM)**, el indicador de REPETIR (REP) parpadea rápidamente y todas las pistas MP3 se repetirán de forma continua dentro de la carpeta actual. Presione el botón **REPETIR/ PROGRAMAR (REPEAT/PROGRAM)** tres veces, el indicador de REPETIR (REP) quedará encendido y todas las pistas de MP3 se repetirán. Para detener la función de repetir, presione nuevamente el botón; se apagará el indicador de REPETIR (REP).

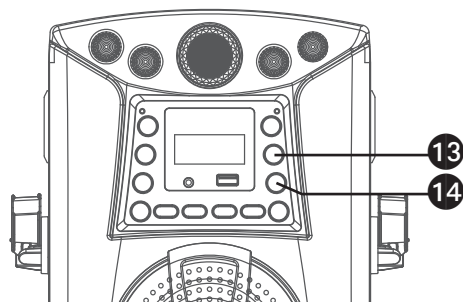
Funcionamiento

Reproducir canciones desde el USB (Continuación)



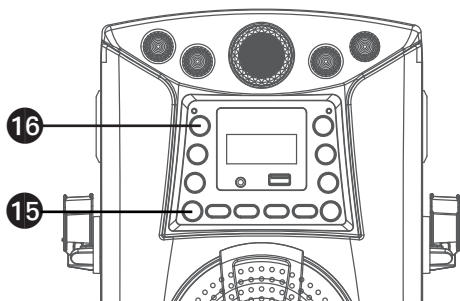
- 12 PROGRAMAR (PROGRAM):** Puede programar hasta 20 pistas para reproducir en cualquier orden deseado. Mientras se encuentre en el modo Detener (Stop), presione **REPETIR/ PROGRAMAR (REPEAT/ PROGRAM)**; el indicador PROGRAMAR (PROG) parpadeará y aparecerá "P00". Seleccione la primera pista con los botones ▶▶ o ◀◀, luego presione **REPETIR/ PROGRAMAR (REPEAT/PROGRAM)**. Repita hasta agregar un máximo de 20 pistas a la memoria. Al finalizar, presione el botón **REPRODUCIR/PAUSAR (PLAY/PAUSE ▶||)** para comenzar la reproducción.

Nota: Oprima DOS VECES el botón de **DETENER (STOP ■)** para detener y eliminar el programa.



- 13 PAUSAR (PAUSE):** Durante la reproducción, si desea pausar momentáneamente el disco, oprima **REPRODUCIR/PAUSAR (PLAY/PAUSE ▶||)**; el indicador REPRODUCIR/PAUSAR (PLAY/PAUSE) parpadeará. Oprima nuevamente para reanudar la reproducción normal.

- 14** Oprima **DETENER (STOP ■)** para detener la reproducción.

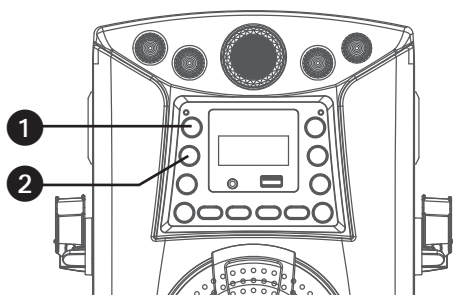


- 15 EFECTOS DE VOZ:** Repetidamente oprima los botones **EFECTOS DE VOZ (VOICE EFFECTS)** para seleccionar entre los efectos vocales ECO, FEMENINO, MASCULINO, ARDILLA, ROBOT o RADIO. Seleccione "EFO" para cantar sin efectos de voz.

- 16** Oprima **⏻** para apagar la unidad.

Funcionamiento

Utilizar un dispositivo Bluetooth



1 Conecte la unidad como se describió previamente. Oprima para encender la unidad.

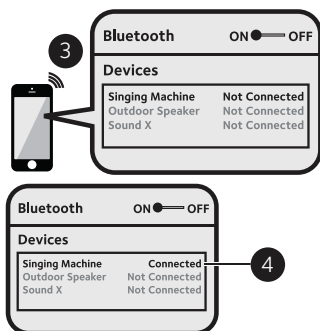
2 Presione el botón o presione repetidamente el botón **FUNCTION** para seleccionar el modo Bluetooth; “Bt” aparecerá en la pantalla. La unidad busca y empareja automáticamente un dispositivo Bluetooth previamente emparejado (si está emparejado previamente). Si no hay dispositivos emparejados previamente y no puede encontrar esta unidad en la lista de búsqueda de su dispositivo compatible con bluetooth. Mantenga presionado el botón ; la pantalla parpadeará alternativamente “bt” y “pr” en 60 segundos.

Nota: También puede presionar y mantener para desconectar los dispositivos emparejados y sincronizar uno nuevo.

3 Encienda la opción Bluetooth en su dispositivo, desde el menú de configuración, para buscar un dispositivo reconocible con señal Bluetooth. Seleccione “Singing Machine” en los resultados del dispositivo en el menú de Bluetooth.

Nota: También consulte el manual de usuario de su dispositivo con Bluetooth para más instrucciones.

4 “bt” se iluminará en la pantalla y quedará fijo, y se oirá un sonido de emparejamiento exitoso.

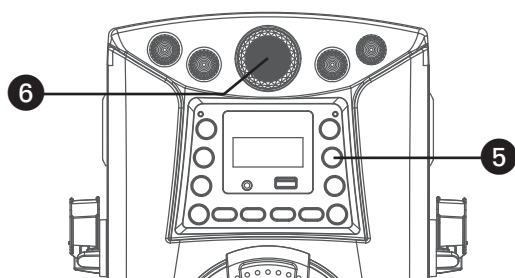


Notas:

- Si su dispositivo con Bluetooth le pide un código durante el proceso de emparejamiento, ingrese “0000” para conectarse.
- En algunos dispositivos con Bluetooth, una vez finalizado el emparejamiento, elija su dispositivo con Bluetooth como “Usar como dispositivo de audio” o similar.
- Si la conexión se pierde luego de un emparejamiento exitoso, verifique que la distancia entre el altavoz y el dispositivo con Bluetooth no supera los 30 pies/10 metros.
- “Bluetooth” parpadeará en la pantalla del televisor, y dejará de hacerlo después de haberse conectado con éxito.

Funcionamiento

Utilizar un dispositivo Bluetooth (Continuación)

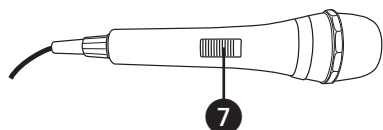


5

Para controlar su dispositivo Bluetooth desde esta unidad, oprima **REPRODUCIR/PAUSAR (PLAY/PAUSE ►||)** para comenzar la reproducción. Presione **REPRODUCIR/PAUSAR (Play/Pause ►||)** durante la reproducción para pausar la canción.

6

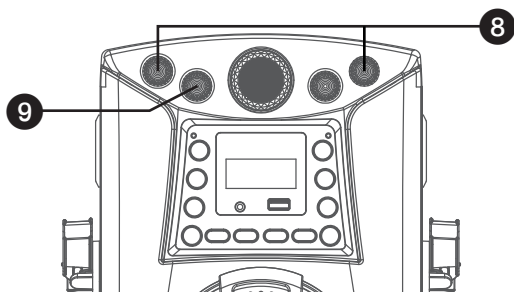
Ajuste el volumen a un nivel conveniente usando el **control de VOLUMEN PRINCIPAL (MASTER VOLUME)** de esta unidad así como también el Volumen de su dispositivo Bluetooth.



7

Conecte los micrófonos y ubique el interruptor de **ENCENDIDO/APAGADO (ON/OFF)** del micrófono en la posición de ENCENDIDO (ON).

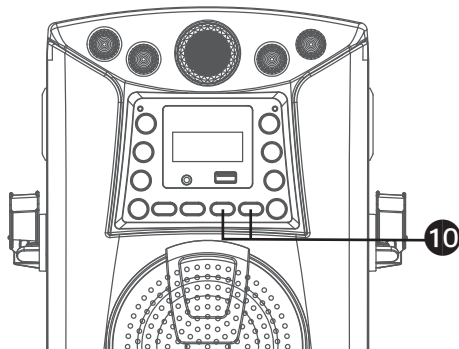
8



9

Ajuste el control de **VOLUMEN DEL MICRÓFONO 1 o 2 (MIC 1 or 2 VOLUME)** hasta el nivel deseado. Al aumentar el nivel de este control se incrementará el volumen de los dos micrófonos.

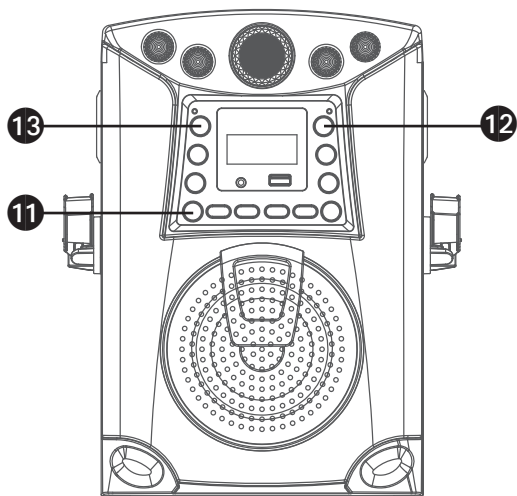
10



Avance o retroceda una pista oprimiendo los botones de **►►/◄◄**.

Funcionamiento

Utilizar un dispositivo Bluetooth (Continuación)



11 EFECTOS DE VOZ: Repetidamente oprima los botones **EFECTOS DE VOZ (VOICE EFFECTS)** para seleccionar entre los efectos vocales ECO, FEMENINO, MASCULINO, ARDILLA, ROBOT o RADIO. Seleccione "EFO" para cantar sin efectos de voz.

12 CÓMO GRABAR LO QUE CANTA: Para grabarse cantando y también para grabar música, oprima el botón **GRABAR ● (RECORD)**. El indicador de grabación se iluminará sin parpadear. Cuando termine de grabar, presione el botón **GRABAR ● (RECORD)** nuevamente; El indicador de grabación se apagará.

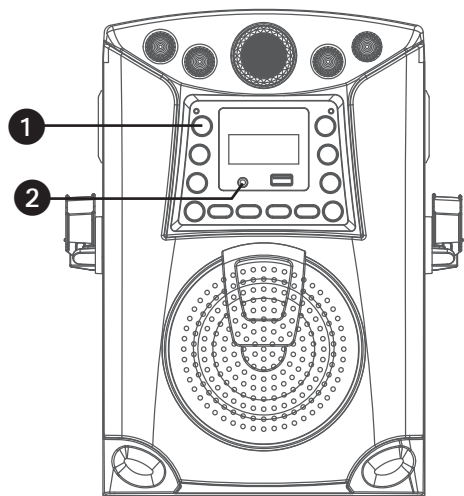
Notes:


- Una unidad USB (no incluida) insertado en la ranura USB para grabar.
- El contenido de audio grabado será almacenado en el dispositivo USB.
- Consulte la sección "Cómo reproducir canciones desde un USB" para volver a reproducir los archivos grabados.

13 Oprima  para apagar la unidad.

Funcionamiento

Uso del conector de ENTRADA de línea

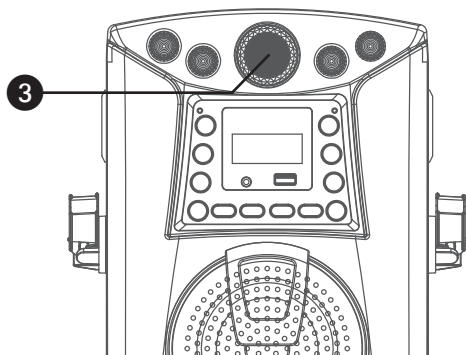


1 Conecte la unidad como se describió antes. Oprima el botón de  para encender la unidad.

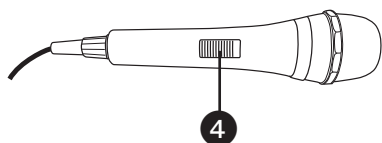
2 Conecte la unidad externa al conector de ENTRADA DE LÍNEA (LINE IN) en la parte delantero de esta unidad. La conexión a una unidad externa permitirá reproducir audio a través de su Singing Machine. Presione varias veces el botón **FUNCTION** para seleccionar el modo ENTRADA DE LÍNEA (LINE IN); aparecerá "AU".

Notas:

- Se recomienda que configure el volumen en la unidad auxiliar a 1/3 o menos para evitar distorsiones.
- No es posible saltar archivos o pistas cuando se usa un dispositivo externo.



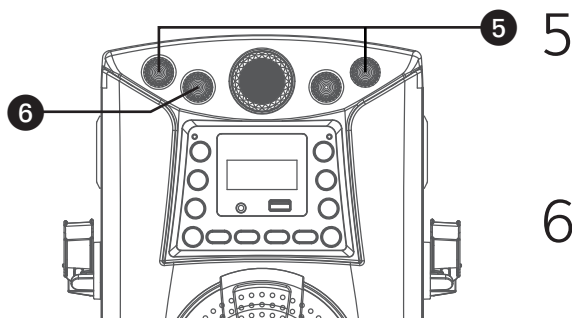
3 Ajuste el volumen con el control de **VOLUMEN PRINCIPAL (MASTER VOLUME)** de esta unidad o con el control de volumen del dispositivo externo.



4 Conecte los micrófonos y ubique el interruptor de **ENCENDIDO/APAGADO (ON/OFF)** del micrófono en la posición de ENCENDIDO (ON).

Funcionamiento

Uso del conector de ENTRADA de línea (Continuación)

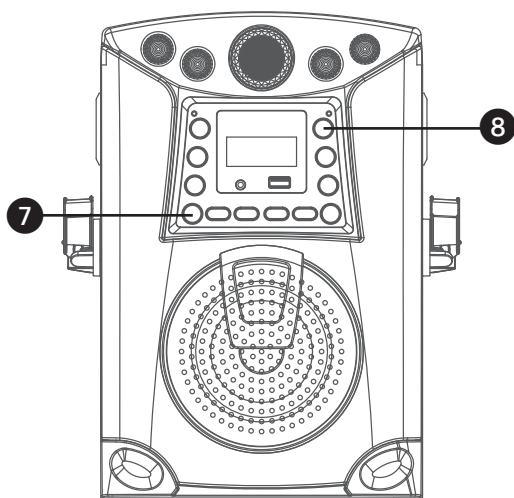


5

Ajuste el control de **VOLUMEN DEL MICRÓFONO 1 o 2 (MIC 1 or 2 VOLUME)** hasta el nivel deseado. Al aumentar el nivel de este control se incrementará el volumen de los dos micrófonos.

6

Para regular el balance entre los altavoces, utilice el control **BALANCE**.



7

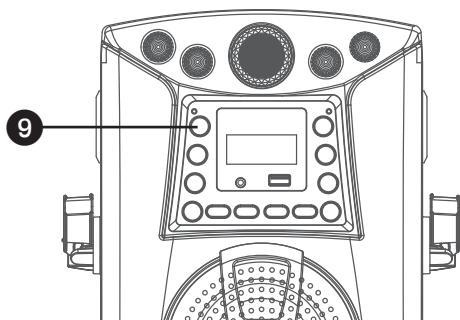
EFFECTOS DE VOZ: Repetidamente oprima los botones **EFFECTOS DE VOZ (VOICE EFFECTS)** para seleccionar entre los efectos vocales ECO, FEMENINO, MASCULINO, ARDILLA, ROBOT o RADIO. Seleccione "EFO" para cantar sin efectos de voz.

8

CÓMO GRABAR LO QUE CANTA
Para grabarse cantando y también para grabar música, oprima el botón **GRABAR ● (RECORD)**. El indicador de grabación se iluminará sin parpadear. Cuando termine de grabar, presione el botón **GRABAR ● (RECORD)** nuevamente; El indicador de grabación se apagará.

Nota:

- Una unidad USB (no incluida) insertado en la ranura USB para grabar.
- El contenido de audio grabado será almacenado en el dispositivo USB.
- Consulte la sección "Cómo reproducir canciones desde un USB" para volver a reproducir los archivos grabados.



9

Oprima **⏻** para apagar la unidad.

Funcionamiento

Dónde descargar archivos MP3+G

Recomendaciones útiles :

Los archivos .mp3 y .cdg. están disponibles para descargarse en el único archivo, comprimido MP3 +G.zip. El archivo MP3+G no se puede reproducir como un archivo .zip en un dispositivo flash USB. Para reproducir canciones de karaoke utilizando un dispositivo flash USB, el archivo MP3+G.zip se debe descomprimir de la siguiente manera:

- Conecte un dispositivo flash USB a su computadora.
- Descargue el archivo MP3+G de su casillero digital y guarde el archivo .zip* en una carpeta en su computadora.
- Haga doble clic en el archivo .zip para abrirlo (visualizará los archivos .mp3 y .cdg en el dispositivo USB).
- Remueva (expulse) el dispositivo flash USB de su computadora.

Encienda la máquina Singing Machine y conecte el dispositivo flash USB.

PREGUNTAS FRECUENTES

- ¿Dónde puedo obtener ayuda adicional con los formatos de archivo?

En la página web de Singing Machine Store, haga clic en **FORMATOS DE ARCHIVO (FILE FORMATS)** en el extremo inferior izquierdo.

Para adquirir y descargar música de Karaoke visite <http://store.singingmachine.com> y obtendrá acceso a más de 15000+ de sus canciones favoritas para karaoke. Necesitará un dispositivo flash USB (no incluido) para transferir las descargas a esta unidad.

Siga estos sencillos pasos:

- 1 Ingrese <http://store.singingmachine.com> en su navegador de Internet y regístrese.
- 2 Seleccione y adquiera su música de karaoke favorita de la Tienda de descargas de Singing Machine.
- 3 Descargue su compra seleccionada del Singing Machine Digital Locker a su dispositivo flash USB.
- 4 Introduzca el dispositivo flash USB como se muestra en la página S12 y ¡disfrute!

Nota: Sus canciones descargadas también se pueden grabar en un CDR/CDRW.

The screenshot shows the Singing Machine Store website interface. At the top, there's a navigation bar with the Singing Machine logo, the text "official partner of STINGRAY", and a search bar containing "Q title, artist or lyrics". There are also "SIGN IN" and "SIGN UP" buttons. Below the navigation bar, the main content area is titled "BROWSE ALL" and "FEATURED PACKS SONGS ARTISTS". Under "FEATURED PACKS", there are six featured items, each with a cover image, title, volume, and number of songs. Each item also has a description, a "40% off regular price" or "25% off regular price" badge, and a price tag. The items are: "GREATEST LOVE SONGS VOL. 2" (25 Songs, \$30.00), "KARAOKE HITS VOLUME 3" (10 Songs, \$15.00), "CLASSIC ROCK VOLUME 3" (10 Songs, \$15.00), "ROCK ANTHEMS VOLUME 2" (10 Songs, \$15.00), "MOTOWN CLASSICS VOLUME 3" (10 Songs, \$15.00), and "TOTALLY 80s VOLUME 1" (10 Songs, \$15.00). Below the featured packs, there are three promotional banners: "NOW OPTIMIZED FOR TABLETS AND MOBILE!", "FREE SONGS!", and "SONG PACKS!". At the bottom of the page, there are three tabs: "RECENT RELEASES", "TOP SONGS", and "TOP ARTISTS".

Guía de Resolución de Problemas

Si esta unidad presentara un problema, lea lo siguiente antes de llamar al servicio técnico:

No hay energía

- La unidad no está encendida; oprima **U** para encenderla.
- Verifique que el adaptador de CA esté conectado de forma segura en la parte trasera de la unidad.
- Conecte la unidad a otro tomacorriente.
- La función normal del producto puede verse alterada por una fuerte interferencia electromagnética. Si es así, simplemente reinicie el producto para reanudar el funcionamiento normal siguiendo el manual de instrucciones. En caso de que la función no se reanude, por favor utilice la máquina en otra parte de la casa.

No hay sonido (General)

- Volumen principal (Master Volume) está en mínimo: suba el volumen.
- No se seleccionó la Función correcta, seleccione con el botón **FUNCTION**.
- Si utiliza un dispositivo externo, suba el volumen.

No hay sonido – si está conectado a un televisor

- El volumen del televisor está silenciado o demasiado bajo.
- No se seleccionó la fuente correcta (generalmente AV) en el menú del televisor.

La letra de la canción no aparece en la pantalla

- Si está conectado a un televisor externo, no se conectó correctamente el cable amarillo de video; consulte las página S5.
- Si está conectado a un televisor externo, no se seleccionó la fuente correcta (generalmente AV) en el menú del televisor.
- El archivo o pista que se reproduce no es una grabación de pista con letra. Estos son los únicos archivos que le permiten ver las letras de las canciones en la pantalla del televisor.
- No aparecerá nada en la pantalla del televisor cuando utilice Entrada de línea (Line In) o Bluetooth.


No se reproducen los archivos en la entrada USB

- El archivo está dañado; reemplácelo.
- El archivo no está en un formato que esta unidad pueda reproducir.
- El producto no admite el dispositivo de USB conectado.

No hay sonido desde el micrófono

- Asegúrese de que está firmemente conectado a la entrada para el MICRÓFONO 1 o 2.
- Asegúrese de que el interruptor de **ENCENDIDO/APAGADO (ON/OFF)** del micrófono se encuentre en la posición ENCENDIDO (ON).
- Asegúrese de que el control de **VOLUMEN DEL MICRÓFONO 1 o 2 (MIC 1 or 2 VOLUME)** no esté en su configuración más baja.
- El **VOLUMEN PRINCIPAL** está fijado en mínimo: suba el volumen.

El dispositivo Bluetooth no se puede configurar o conectar con la unidad

- No ha activado la función Bluetooth de su dispositivo; ver la página S16 o consultar el manual de usuario del dispositivo Bluetooth.
- La unidad no está en modo de emparejamiento; Mantenga presionado el botón **Sincronizar (Pair)**  para reiniciar el emparejamiento.

La reproducción de la música no está disponible en la unidad luego de conectar de manera exitosa el Bluetooth

- Asegúrese de que su dispositivo Bluetooth es compatible con el perfil Bluetooth A2DP.
- El volumen del dispositivo externo con Bluetooth está bajo o en silencio; súbalo según lo deseado.

Especificaciones

Audio

Potencia De Salida (Max).....	3.5 Watts (RMS)
Impedancia De Salida	3 Ohms

Reproductor De Cd

Respuesta De Frecuencia.....	100Hz - 20kHz
Proporción De Señal Y Ruido.....	50Db

Bluetooth

Version Bluetooth	V5.0
Distancia De Trabajo	Hasta 10 Metros Medidos En Espacio Abierto

USB

Formato	FAT32
Compatibilidad máxima	32GB

Sección de entrada auxiliar (aux in):	Entradas Para Micrófono De 3.5 mm
Micrófono	Impedancia Con Micrófono Dinámico -74 dB 600 Ohm Con 6.3 mm

Energía	DC 5,8V 1,5A
----------------------	--------------

Consumo de energía	8,7 W
---------------------------------	-------

Dimensiones (HxWxD)	12,8 x 10,5 x 8,1 inches / 32,7 x 26,6 x 20,6 cm
----------------------------------	--

Peso	4,6 lbs / 2,1 kgs
-------------------	-------------------

Las Especificaciones Están Sujetas A Cambios Sin Previo Aviso.



El nombre de la marca Bluetooth® y los logotipos son marcas registradas propiedad de Bluetooth SIG, Inc., y todo uso que The Singing Machine Company, Inc haga de dichas marcas en virtud de una licencia. Otras marcas registradas y comerciales pertenecen a sus respectivos titulares.

Mises en Garde

	MISE EN GARDE RISQUE DE CHOC ÉLECTRIQUE NE PAS OUVRIR	
MISE EN GARDE: AFIN DE RÉDUIRE LE RISQUE D'ÉLECTROCUTION, NE PAS RETIRER LE COUVERCLE (OU LE DOS DU BOÎTIER). AUCUNE PIÈCE POUVANT ÊTRE RÉPARÉE PAR L'UTILISATEUR NE SE TROUVE À L'INTÉRIEUR. POUR TOUTE RÉPARATION, CONTACTER UN TECHNICIEN COMPÉTENT. La mention Mise en garde se trouve sur le panneau arrière.		



TENSION DANGEREUSE: Le symbole de l'éclair dans un triangle équilatéral a pour but d'avertir l'utilisateur du danger présenté par des pièces non isolées à l'intérieur de l'appareil, dont la tension est suffisante pour provoquer des décharges électriques dangereuses.



ATTENTION: Le point d'exclamation à l'intérieur d'un triangle équilatéral a pour but d'avertir l'utilisateur de la présence de consignes importantes sur le fonctionnement et l'entretien (réparation) de l'appareil dans la documentation accompagnant ce produit.

AVERTISSEMENT D'ÉGOUTTEMENT: Ce produit ne doit pas être exposé à l'égouttement ni aux éclaboussures et aucun objet rempli de liquide, tel qu'un vase, ne doit être placé sur le produit.

AVERTISSEMENT D'AÉRATION: L'aération normale du produit ne doit pas être entravée pour l'usage prévu.

Ce produit est conforme aux règles 21 CF, chapitre 1 du ministère de la santé et des services sociaux, sous-chapitre J applicable à partir de la date de fabrication

Mise en garde:

- Ce lecteur de CD est muni d'un faisceau de lumière au laser. Seul un technicien qualifié devrait retirer le couvercle et tenter toute réparation ou entretien sur cet appareil afin d'éviter tout risque de blessure au yeux.
- L'utilisation de commandes, de réglages ou de procédures autre que ceux spécifiés dans le présent document peut causer un risque d'exposition aux radiations.
- Cet appareil doit être utilisé dans un endroit aéré.

ATTENTION!

Vous risquez d'être exposé à un rayonnement laser dangereux et invisible en ouvrant ce produit et en désactivant ou rendant inopérant le dispositif de verrouillage. Évitez toute exposition directe au faisceau.

AVERTISSEMENT: POUR RÉDUIRE LES RISQUES D'INCENDIE OU D'ÉLECTROCUTION, N'EXPOSEZ PAS CET APPAREIL À LA PLUIE OU À L'HUMIDITÉ.

MISE EN GARDE DE LA FCC: Cet appareil peut générer ou utiliser des fréquences radio. Les modifications ou changements peuvent causer des interférences nuisibles, à moins que ces modifications ne soient approuvées expressément dans ce mode d'emploi. L'utilisateur pourrait perdre l'autorité de faire fonctionner cet équipement en cas de modification non autorisée.

Cet appareil répond aux exigences de l'alinéa 15 des réglementations FCC. Son utilisation est soumise aux deux conditions suivantes : 1) Cet appareil ne peut pas causer d'interférence nuisible et 2), Cet appareil doit accepter toute interférence reçue, incluant les interférences qui pourraient affecter son fonctionnement.

Cet équipement est conforme aux limites d'exposition aux rayonnements énoncées par la FCC pour un environnement non contrôlé. Cet équipement doit être installé et utilisé en maintenant une distance minimale de 20 cm entre l'appareil rayonnant et votre corps.

REMARQUE: Suite aux tests effectués, il est établi que cet appareil numérique de Classe B répond aux exigences de l'alinéa 15 des réglementations FCC. Ces normes sont élaborées pour vous protéger contre toute interférence nuisible en installation résidentielle. Cet appareil génère, utilise et peut émettre des fréquences radio. Par conséquent, s'il n'est pas installé et utilisé en suivant les instructions, il peut causer des interférences nuisibles aux communications radio. Cependant, aucune garantie n'est donnée concernant la possibilité d'interférence avec une installation spécifique. Si une interférence se produisait en réception radio et/ou de télédiffusion, lors de l'activation et la désactivation de l'appareil, nous vous recommandons.

- Réorientez ou déplacez l'antenne de réception.
- Éloignez l'appareil du récepteur.
- Branchez l'appareil à une prise de courant différente de celle utilisée par le récepteur.
- En cas de problème, contactez le vendeur ou un technicien spécialisé en réception radio/TV.

Le régime nominal est indiqué dans la partie arrière de l'appareil.

Renseignements Importants de Sécurité

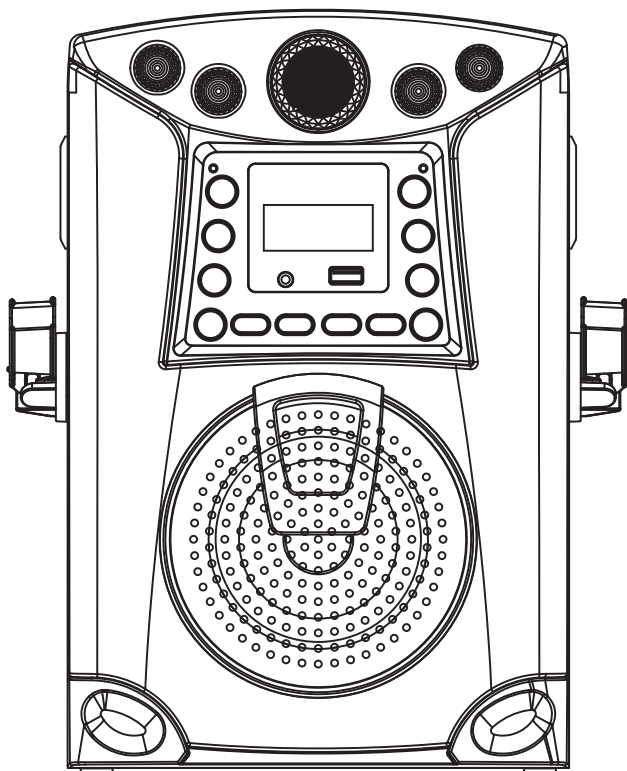
1. Lisez ces instructions.
2. Conservez ces instructions.
3. Respectez toutes les mises en garde.
4. Suivez toutes les consignes.
5. N'utilisez pas cet appareil à proximité de l'eau.
6. Nettoyez l'appareil uniquement avec un chiffon sec.
7. Ne bloquez pas les ouvertures d'aération. Installez conformément selon les consignes du fabricant.
8. N'installez pas à proximité de sources de chaleur telles que les radiateurs, registres d'air chaud, cuisinières, ou autres appareils (notamment des amplificateurs) produisant de la chaleur.
9. Ne nuisez pas à la fonction de sécurité de la fiche polarisée ou de mise à la terre. Une fiche polarisée est dotée de deux broches dont l'une est plus large que l'autre. Une fiche de mise à la terre est dotée de deux broches et d'une troisième broche de mise à la terre. La broche la plus large ou la troisième broche est conçue pour votre sécurité. Lorsque la broche fournie ne convient pas à la prise, consultez un électricien afin de remplacer la prise désuète.
10. Protégez le cordon d'alimentation afin que personne ne marche dessus ou le pince, particulièrement au niveau des broches, de la prise et du point où ils sortent de l'appareil.
11. Utilisez seulement les accessoires spécifiés par le fabricant.
12. Utilisez seulement avec un chariot, une sellette, un trépied, un support ou une table. Lorsqu'un chariot est utilisé, prenez garde de ne pas déplacer la combinaison chariot/appareil pour éviter toute blessure causée par un renversement.
13. Débranchez cet appareil durant un orage ou lorsqu'il n'est pas utilisé pendant de longues périodes.
14. Confiez toutes les réparations à un technicien compétent. La réparation s'avère nécessaire lorsque l'appareil a été endommagé, par exemple, si le cordon d'alimentation ou la fiche a été endommagé, du liquide a été renversé ou des objets sont tombés dans l'appareil, ou si l'appareil a été exposé à la pluie ou à l'humidité, ne fonctionne pas normalement, ou a été échappé.
15. **AVERTISSEMENT :** Pour réduire le risque d'électrocution, évitez d'exposer l'appareil à la pluie ou à l'humidité. Ne déposez pas d'objets remplis d'eau, tels qu'un vase, sur l'appareil.
16. La fiche de secteur c.a. est utilisée pour débrancher l'appareil et doit être facilement accessible et utilisable durant l'usage prévu. Afin de couper complètement l'alimentation de l'appareil, la fiche de secteur doit être complètement débranchée de la prise c.a.
17. **MISE EN GARDE :** Afin de réduire le risque d'incendie ou d'explosion, n'exposez pas les piles à une source de chaleur excessive telle que le soleil, le feu ou autre.

AVERTISSEMENT RELATIF AU CHARIOT PORTATIF
(Symbole fourni par IRETAC)

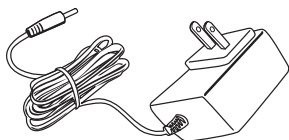


Contenu

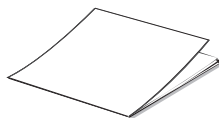
Qu'y a-t-il dans la boîte ?



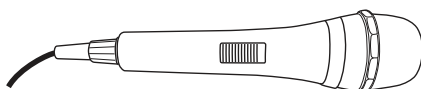
Unité principale



Adaptateur CA

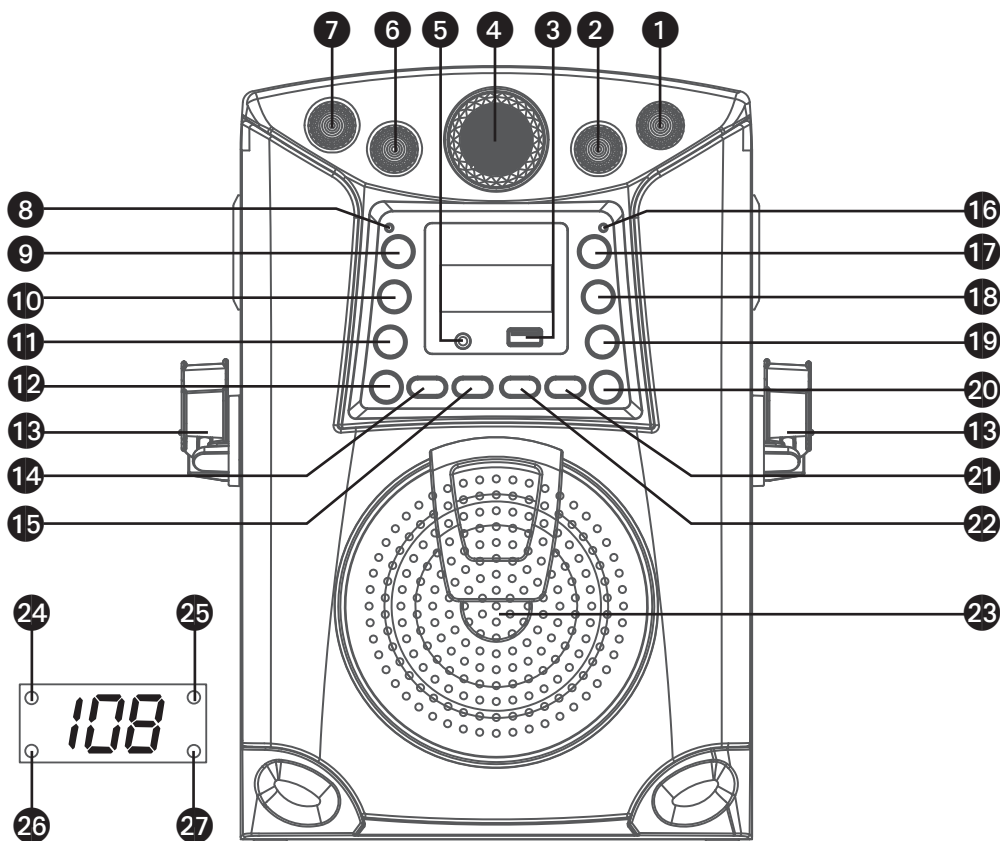


Manuel



Microphone câblé

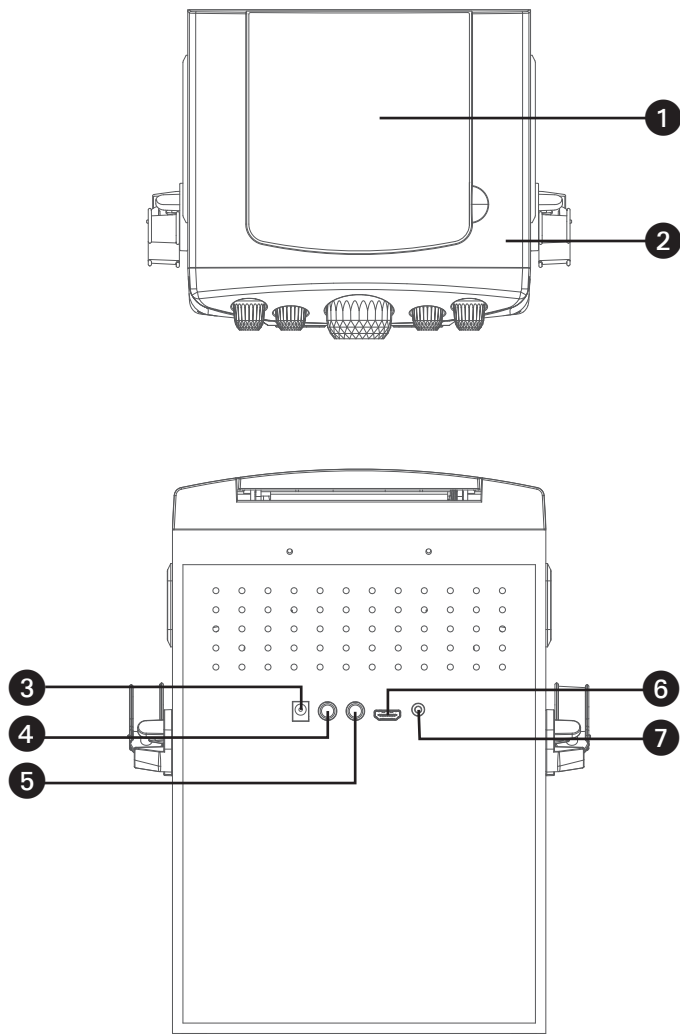
Emplacement des commandes (Devant)



Écran

- | | | |
|--|---|------------------------------------|
| 1. Contrôle du VOLUME du micro 2 | 10. Touche FONCTION | 19. ■ Bouton Arrêt |
| 2. Contrôle AUTOMATIQUE DE LA VOIX | 11. Bouton REPEAT/PROG (RÉPÉTITION/PROGRAM) | 20. 📶 Bouton d'appairage BLUETOOTH |
| 3. Port USB | 12. Touche EFFETS VOCAUX (VOICE EFFECTS) | 21. ▶▶▶ Bouton saut avant |
| 4. Commande de VOLUME MAITRE | 13. Support du MIC | 22. ◀◀◀ Bouton saut arrière |
| 5. Prise de la LIGNE de sortie | 14. Bouton de la lumière | 23. Haut-parleur |
| 6. Commande d'équilibrage | 15. Touche SAUT 10+ (SKIP 10+) | 24. Indicateur CDG |
| 7. Contrôle du VOLUME du micro 1 | 16. Indicateur d'enregistrement | 25. Indicateur Lecture/Pause |
| 8. Témoin d'alimentation | 17. ● Bouton d'ENREGISTREMENT | 26. Indicateur de répétition |
| 9. ⏻ Touche MARCHÉ/VEILLE (ON/STANDBY) | 18. ▶ Bouton Lecture/Pause | 27. Indicateur de programmes |

Emplacement des commandes (dessus/devant)



VUE D'ENSEMBLE

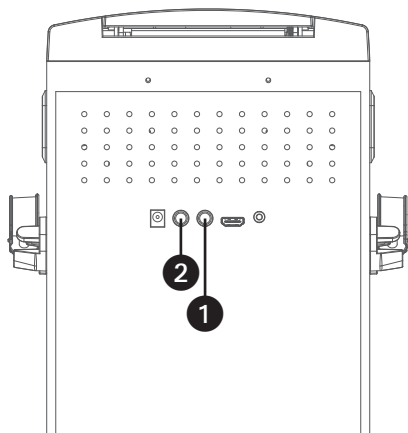
1. Porte du CD
2. CD ouvert

RÉTROVISEUR

3. Prise de sortie DC
4. Prise MIC 2
5. Prise MIC 1
6. Prise HDMI
7. PRISE DE SORTIE

Branchement

Connexion des microphones

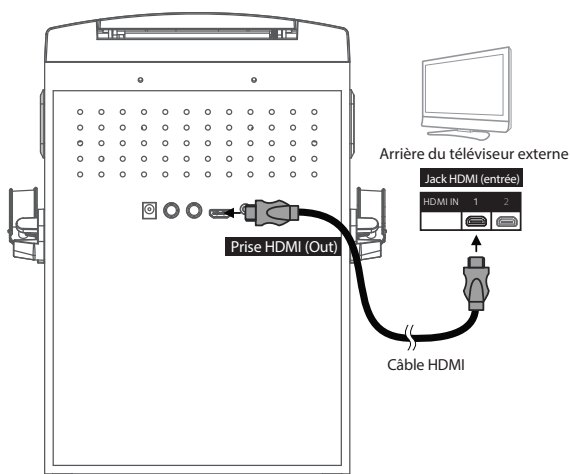


Microphones:

Connectez le microphone à une prise MIC 1 et à une prise MIC jack 2 (lorsque souhaité).

Remarque: Ne pas échapper le microphone car cela peut causer des dommages ainsi qu'aux haut-parleurs. Ne pas faire virevolter le microphone par la cordon car cela peut endommager le câblage encastré.

Connexion de l'unité à un téléviseur



Pour restituer la vidéo, les paroles de chansons et l'audio sur votre téléviseur, veuillez suivre les étapes ci-dessous :

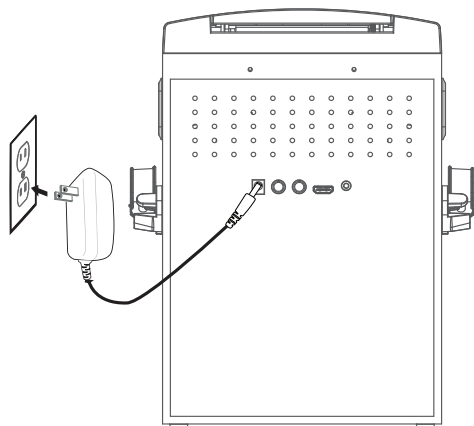
Connectez le câble HDMI (non inclus) dans la prise HDMI à l'arrière de l'appareil. Connectez l'autre extrémité du câble HDMI à l'entrée HDMI de votre téléviseur.

Remarques:

- Cet appareil peut être utilisé avec ou sans un téléviseur, par contre, il est fortement recommandé d'utiliser un téléviseur afin de pouvoir accéder aux fonctionnalités.
- Référez-vous également au guide de l'utilisateur de votre téléviseur.
- Pour voir les paroles à l'écran, vous devez utiliser le disque CD+G.

Branchement

Raccordement à l'alimentation CA

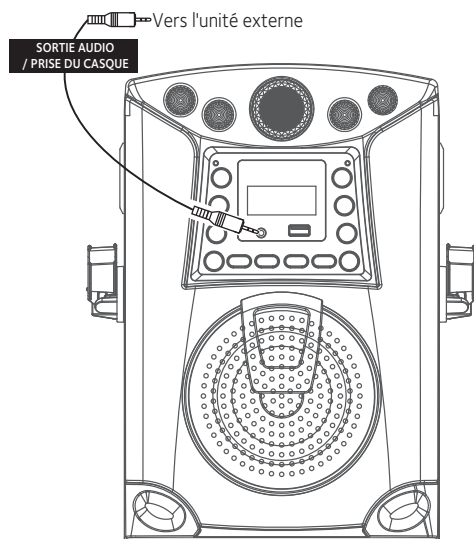


Insérez le cordon d'alimentation c.a. dans une prise c.a. située à proximité et dotée de 120 V c.a. et 60 Hz.

Remarque:

Effectuer toutes les connexions avant de brancher le cordon d'alimentation.

Connexion à une prise LINE IN



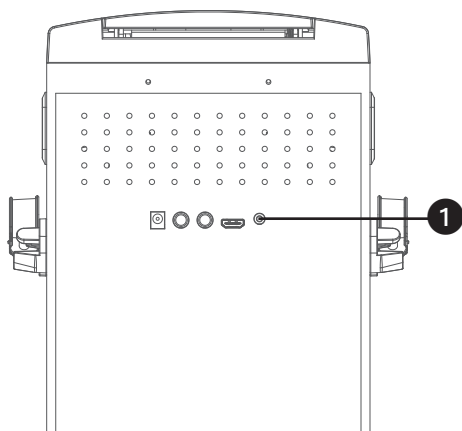
Raccordez simplement votre appareil externe en utilisant un câble audio approprié (câble audio 3,5 mm non inclus) tel qu'illustré.

Remarque:

Voir la page F19 pour sélectionner et utiliser la fonction LINE IN.

Branchement

Branchement à la prise de sortie

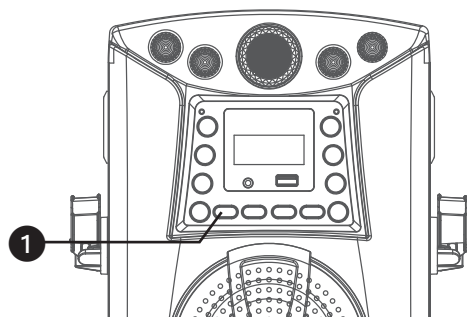


- 1 Cet appareil peut être branché à un autre système audio pour un meilleur rendement externe audio via un cordon AUX de 3,5 mm (non inclus).

Branchez un embout du cordon AUX dans la prise de sortie située à l'endos de la machine.

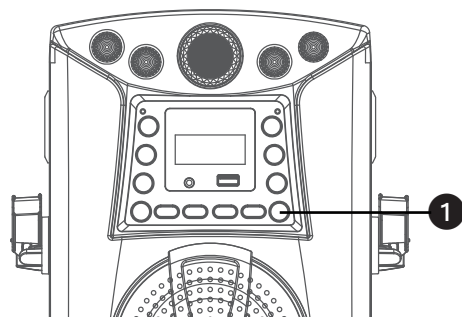
Branchez l'autre embout du cordon AUX dans la prise d'entrée sur votre autre appareil audio. Il se peut que vous ayez besoin de vous référer aux directives de votre autre appareil audio pour plus de détails.

Mode Lumières



- 1 Appuyer le bouton **LUMIÈRE (LIGHTS)** pour allumer l'effet de luminosité, appuyer de nouveau pour l'éteindre.

Mode Bluetooth



Appuyez sur la touche Bluetooth  pour régler facilement l'appareil en mode de bluetooth.

Remarque: Voir page F16 pour les instructions de fonctionnement Bluetooth.

Utilisation

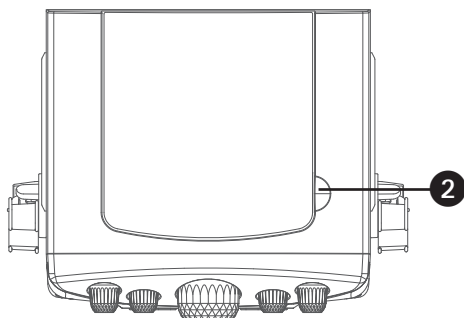
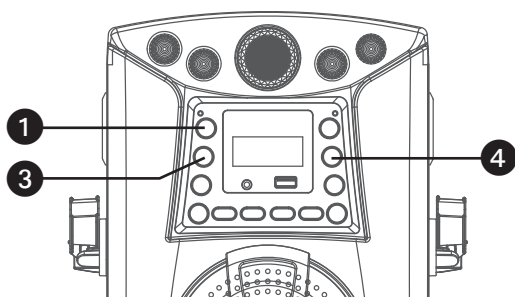
Lecture d'un CDG


Cet appareil est conçu pour lire les CD et les CDG portant respectivement le logo d'identification. Si le disque n'est pas conforme à la norme, il peut ne pas être lu correctement.

Remarques:

• Qu'est-ce que le CD+G?


- A CD+G (CD graphiques) est le format standard pour la plupart des disques de karaoké qui affichent les paroles à l'écran.
- Ne placer aucun objet autre qu'un CD dans le compartiment car les objets étrangers peuvent endommager l'appareil.
- S'il n'y a aucun disque d'inséré, la mention « Non » s'affiche à l'écran.



1 Connectez-vous à l'appareil tel que décrit précédemment; si vous utilisez un disque CD+G, il devrait être branché à un téléviseur. Appuyez sur la touche d'alimentation  pour allumer l'appareil.

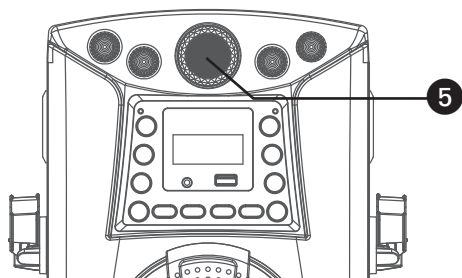
2 Soulevez la porte de CD et insérez un CD ou un CD+G en appuyant doucement sur l'axe central. Fermez ensuite la porte du CD.

3 Appuyez plusieurs fois sur la touche **FUNCTION** pour sélectionner le mode CDG/CD; la mention "--" s'affiche lors de la recherche sur le disque et ensuite, le nombre de pistes s'affichera.

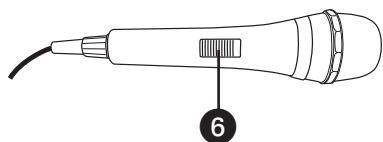
4 Appuyez sur la touche **LECTURE/ PAUSE (PLAY/PAUSE **) pour débuter la lecture; si vous écoutez un fichier CD+G, l'image et les paroles apparaîtront sur l'écran du téléviseur (si celui-ci est connecté) et l'indicateur LECTURE/PAUSE (PLAY/PAUSE) et l'indicateur CDG s'allumera.

Utilisation

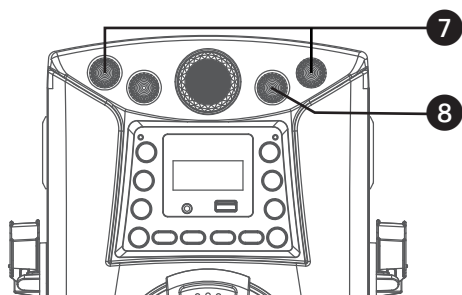
Lecture d'un CDG (suite)



5 Ajustez le volume à un niveau confortable en utilisant la **commande de VOLUME PRINCIPAL (MASTER VOLUME)**.

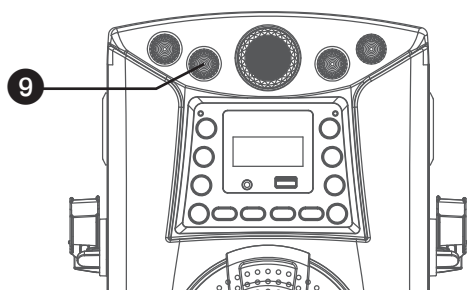


6 Connectez le ou les micro(s), puis glissez l'interrupteur **MARCHE/ARRÊT (ON/OFF)** à la position MARCHE.



7 Réglez le **VOLUME DU MICROPHONE 1 ou 2 (MIC1 or 2 VOLUME)** au niveau souhaité. Le fait de croître ce réglage augmente le volume des deux microphones.

8 L'option **CONTRÔLE AUTOMATIQUE DE LA VOIX** peut être activé en tournant le **A.V.C.** Plus le contrôle est réglé à un haut niveau, plus les voix sur l'enregistrement multiplex seront mis en sourdine lorsque le chanteur commence à chanter dans le microphone. Lorsque le chanteur arrête de chanter, les voix enregistrés sur l'enregistrement multiplex se nivelleront en mode normal.



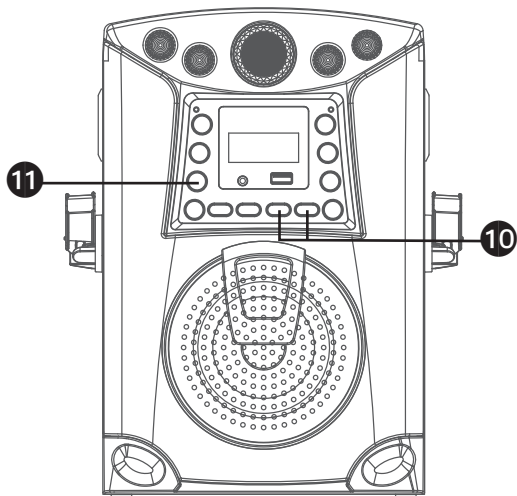
9 Faire pivoter la commande **BALANCE** dans le sens horaire pour écouter les voix enregistrés à partir de l'enregistrement multiplex ou dans le sens antihoraire pour écouter seulement la musique à partir de l'enregistrement multiplex.

Remarque:

Pour utiliser la commande **BALANCE**, le disque CD+G doit être utilisé ou il fonctionnera comme un contrôle standard **BALANCE**.

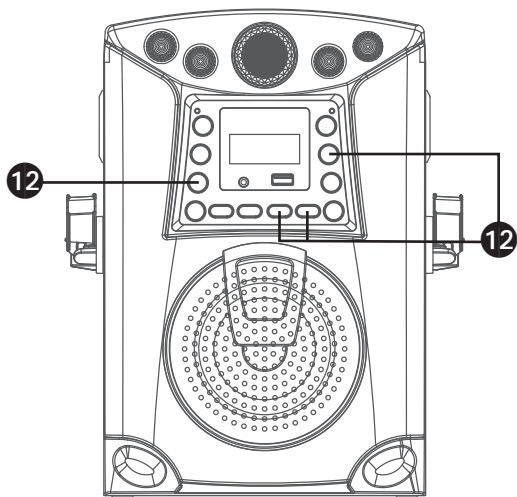
Utilisation

Lecture d'un CDG (suite)



10 PASSER: Avancer ou retourner d'une piste à l'autre en appuyant sur les touches de ►►/◄◄.

11 REPEAT (RÉPÉTITION) : Au cours de la lecture, appuyez sur la touche **RÉPÉTER/PROGRAMME (REPEAT/PROGRAM)** une fois pour une lecture répétée de la chanson sélectionnée; l'indicateur Répéter clignotera. Appuyez sur la touche **RÉPÉTER/PROGRAMME (REPEAT/PROGRAM)** une seconde fois pour une lecture répétée de toutes les pistes du CD; l'indicateur Répéter s'allume de couleur clair. Appuyez de nouveau pour annuler la fonction Répéter, l'indicateur RÉPÉTER s'éteint.



12 PROGRAMME: Vous pouvez programmer jusqu'à 20 pistes sur n'importe quel disque pour la lecture dans n'importe quel ordre souhaité. En mode arrêt, appuyer sur le bouton **RÉPÉTER/PROGRAMME (REPEAT/PROGRAM)**; l'indicateur de programmes clignotera et apparaîtra «P00». Sélectionner la première piste utilisant les boutons **SKIP BACK ◄◄ / SKIP FORWARD ►►**. Appuyer le bouton **RÉPÉTER/PROGRAMME (REPEAT/PROGRAM)** pour confirmer l'entrée. Après avoir sélectionné les pistes désirées, l'écran affichera P01, P02, etc. reconnaissant les pistes sélectionnées qui ont été programmées. Répéter pour définir jusqu'à 20 pistes dans la mémoire. Une fois terminé, appuyez le bouton **PLAY/PAUSE** pour lancer la lecture.

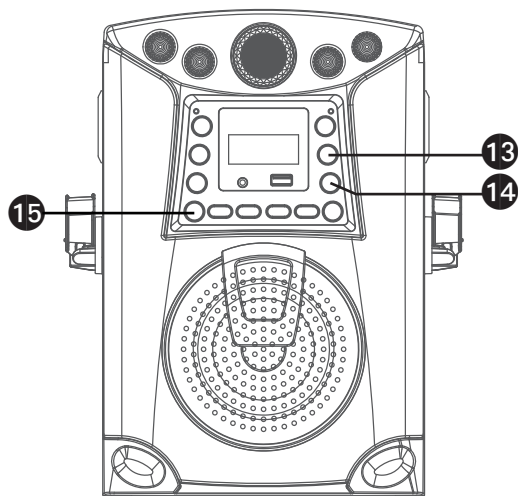
Remarque:

- Appuyez sur la touche **ARRÊT (STOP ■)** DEUX FOIS pour arrêter et supprimer le programme.

13 PAUSE: Durant la lecture, si vous désirez arrêter le disque

Utilisation

Lecture d'un CDG (suite)



14 Appuyez sur la touche **ARRÊT (STOP)** ■ pour arrêter l'enregistrement.

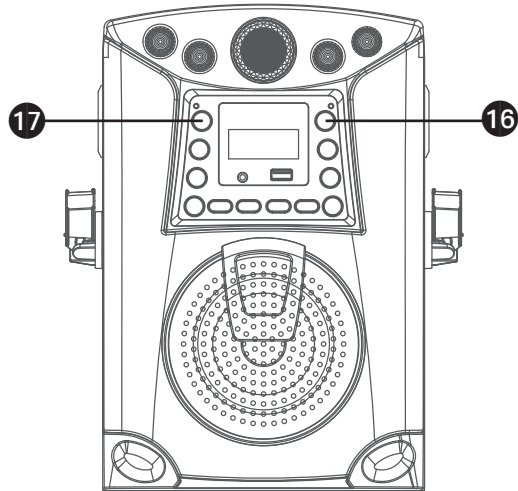
15 **EFFETS VOCAUX** : Appuyez plusieurs fois sur la touche **EFFETS VOCAUX** pour sélectionner l'effet vocal ÉCHO, FEMME, HOMME, CHIPMUNK, ROBOT ou RADIO. Sélectionnez "EFO" pour chanter sans aucun effet vocal.

16 **REGISTREMENT DE VOS CHANTS** : Insérez une clé USB dans un premier temps, appuyez ensuite sur la touche **ENREGISTREMENT (RECORD)** ● ; la chanson recommencera et l'enregistrement débutera. Indicateur d'enregistrement s'illuminera. Pour arrêter l'enregistrement, appuyez à nouveau sur la touche **ENREGISTREMENT (RECORD)** ●.

Remarque:

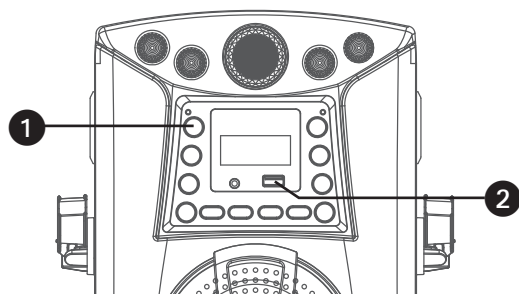
- Une clé USB (non fournie) doit être insérée dans la fente USB pour enregistrer.
- Le fichier audio sera enregistré sur la clé USB.
- Consultez la section « Lire des titres depuis une clé USB » pour écouter vos fichiers enregistrés.


17 Appuyez sur la touche **U** pour éteindre l'appareil.



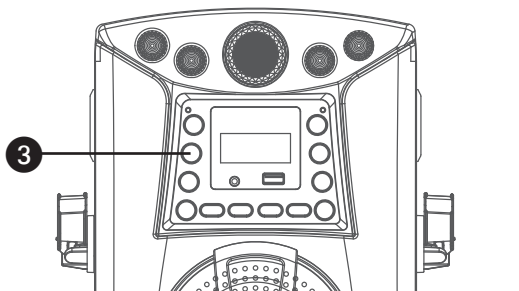
Utilisation

Lecture de chansons à partir de la clé USB



1 Connectez-vous à l'appareil tel que décrit précédemment. Appuyez sur la touche d'alimentation  pour allumer l'appareil.

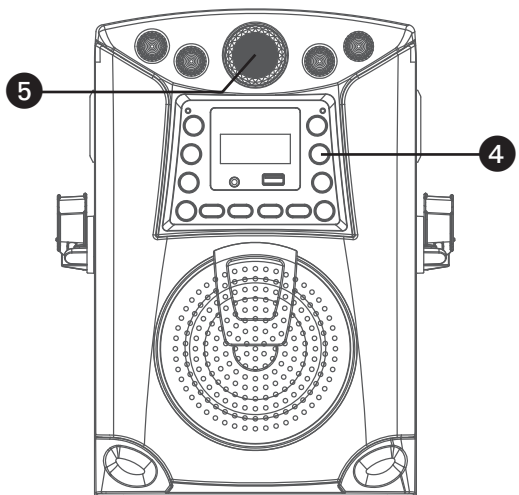
2 Insérez une clé USB dans le port USB de l'appareil, face vers le haut. Assurez-vous de télécharger de la musique de la boutique Karaoke.




3 Appuyer plusieurs fois le bouton **FUNCTION** pour sélectionner le mode USB; « USB » apparaîtra lors de la recherche du lecteur et alors le nombre total de fichiers apparaîtra.

Remarque:

Le mode USB n'est pas accessible tant qu'une carte mémoire n'est pas insérée.



4 Appuyer le bouton **LECTURE / PAUSE**  pour lancer la lecture; si vous écoutez un fichier MP3 + G, l'image et les paroles apparaîtront sur l'écran du téléviseur (si connecté).

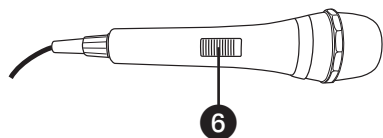
5 Ajustez le volume à un niveau confortable en utilisant la commande de **VOLUME PRINCIPAL (MASTER VOLUME)**.

Remarque:

Si connecté à un téléviseur ou à une autre source audio, réglez le volume du téléviseur en utilisant sa propre commande de volume.

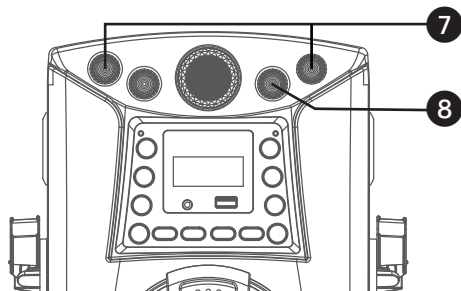
Utilisation

Lecture de chansons à partir de la clé USB (suite)



6

Connectez le ou les micro(s), puis glissez l'interrupteur **MARCHE/ARRÊT (ON/OFF)** à la position MARCHE.

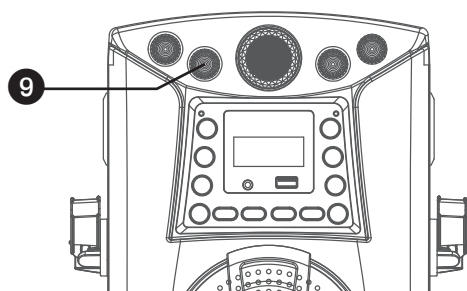


7

Réglez le **VOLUME DU MICROPHONE 1 ou 2 (MIC 1 or 2 VOLUME)** au niveau souhaité. Le fait de croître ce réglage augmente le volume des deux microphones.

8

L'option **CONTRÔLE AUTOMATIQUE DE LA VOIX** peut être activé en tournant le **A.V.C.** (Contrôle automatique de la voix). Plus le contrôle est réglé à un haut niveau, plus les voix sur l'enregistrement multiplex seront mis en sourdine lorsque le chanteur commence à chanter dans le microphone. Lorsque le chanteur arrête de chanter, les voix enregistrés sur l'enregistrement multiplex se nivelleront en mode normal.

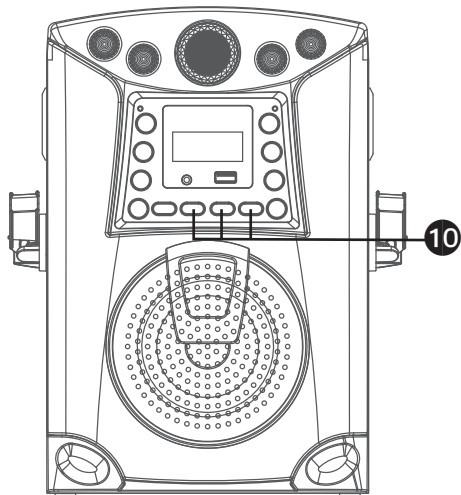


9

Faire pivoter la commande **BALANCE** dans le sens horaire pour écouter les voix enregistrés à partir de l'enregistrement multiplex ou dans le sens antihoraire pour écouter seulement la musique à partir de l'enregistrement multiplex.

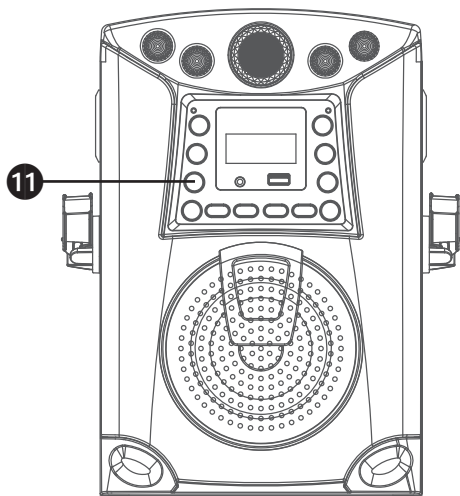
Utilisation

Lecture de chansons à partir de la clé USB (suite)



10 PASSER: Avancer ou revenir une piste en arrière en appuyant sur le ►►/◄◄ les boutons.

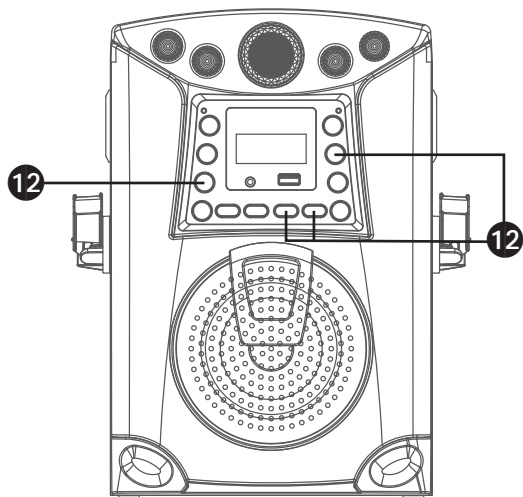
Vous pouvez également passer vers l'avant de 10 fichiers/pistes en utilisant le bouton **SKIP 10 +**.



11 RÉPÉTER: Pendant la lecture, appuyer le bouton **RÉPÉTER/PROGRAMME (REPEAT/PROGRAM)** une fois pendant la lecture, l'indicateur REP clignotera et la piste en cours sera répétée. Appuyer deux fois sur le bouton **RÉPÉTER/PROGRAMME (REPEAT/PROGRAM)**, l'indicateur REP clignotera, toutes les pistes MP3 sur le présent dossier seront répétées en continu. Appuyer trois fois le bouton **RÉPÉTER/PROGRAMME (REPEAT/PROGRAM)**, l'indicateur REP s'allumera pleine couleur, toutes les pistes MP3 joueront à plusieurs reprises. Pour arrêter la fonction de répétition, appuyer à nouveau le bouton; l'indicateur REP s'éteindra.

Utilisation

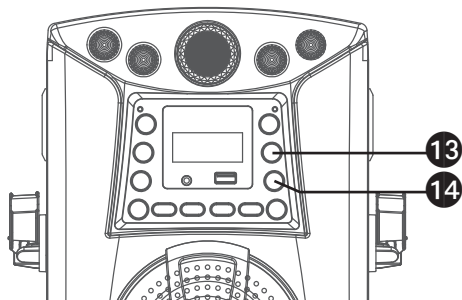
Lecture de chansons à partir de la clé USB (suite)



- 12 PROGRAMME:** Vous pouvez programmer jusqu'à 20 pistes pour la lecture dans n'importe quel ordre souhaité. Pendant le mode arrêt, appuyer le bouton **RÉPÉTER/PROGRAMME (REPEAT/PROGRAM)**; l'indicateur de PROG clignotera et apparaîtra «P00». Sélectionner la première piste en utilisant le **◀◀** ou **▶▶** les boutons, puis appuyer le bouton **RÉPÉTER/PROGRAMME (REPEAT/PROGRAM)**. Répéter pour définir jusqu'à 20 pistes dans la mémoire. Une fois terminé, appuyez le bouton **PLAY/PAUSE ▶||** pour lancer la lecture.

Remarque:

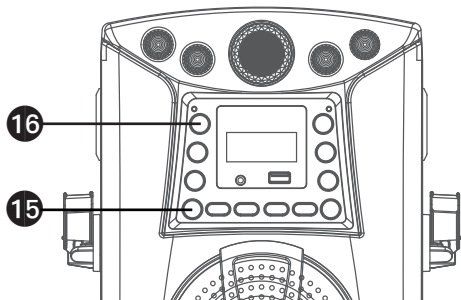
Appuyez sur la touche **ARRÊT (STOP ■)** DEUX FOIS pour arrêter et supprimer le programme.



- 13 PAUSE:** Durant la lecture, si vous désirez arrêter le disque momentanément, appuyez sur **LECTURE/PAUSE (PLAY/PAUSE ▶||)** l'indicateur clignote. Appuyez à nouveau pour reprendre la lecture normale.

- 14** Appuyez sur la touche **ARRÊT (STOP ■)** pour arrêter l'enregistrement.

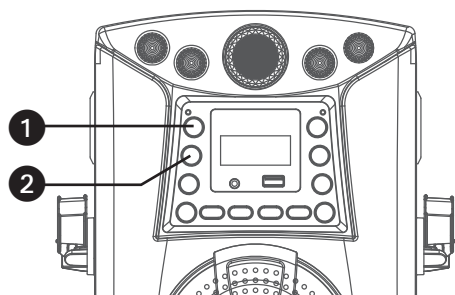
- 15 EFFETS VOCAUX :** Appuyez plusieurs fois sur la touche **EFFETS VOCAUX** pour sélectionner l'effet vocal ÉCHO, FEMME, HOMME, CHIPMUNK, ROBOT ou RADIO. Sélectionnez "EFO" pour chanter sans aucun effet vocal.




- 16** Appuyez sur la touche **⏻** pour éteindre l'appareil.

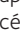
Utilisation

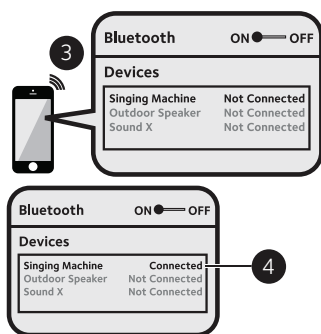
Utilisation d'un appareil Bluetooth



1 Raccordez l'appareil de la manière décrite précédemment. Appuyez sur la touche  pour allumer l'appareil.

2 Appuyez sur le bouton  ou appuyez plusieurs fois sur le bouton **FUNCTION** pour sélectionner le mode Bluetooth; "Bt" apparaît sur l'affichage. L'appareil recherche et associe automatiquement un appareil Bluetooth précédemment apparié (s'il a déjà été apparié). Si aucun appareil précédemment couplé n'est présent et que vous ne trouvez pas cet appareil sur la liste de recherche de votre appareil compatible Bluetooth. Appuyez et maintenez le bouton . L'affichage clignotera alternativement «bt» et «pr» pendant 60 secondes.

Remarque: Vous pouvez également appuyer sur le bouton  et le maintenir enfoncé pour déconnecter les appareils couplés afin de coupler un autre appareil.



3 Activer dans les paramètres l'option Bluetooth de votre appareil pour rechercher un périphérique détectable avec un signal Bluetooth. Sélectionner « **Singing Machine** » à partir des résultats de l'appareil sur le menu Bluetooth.

Remarque: Veuillez vous reporter au manuel d'utilisation de votre appareil Bluetooth pour obtenir des instructions détaillées.

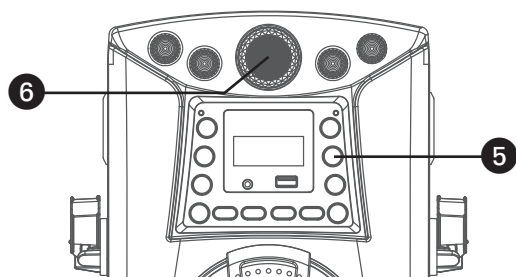
4 « bt » s'allume dans l'afficheur et une sonorité de jumelage réussi est audible.

Remarque:

- Si votre dispositif Bluetooth vous demande d'inscrire un mot de passe au cours du processus de jumelage, veuillez inscrire "0000" pour vous connecter.
- Sur certains dispositifs Bluetooth, lorsque le jumelage est terminé, vous devez sélectionner l'appareil à l'aide de l'option « Utiliser comme périphérique audio » ou d'une option semblable.
- Si la connexion est perdue après un jumelage réussi, assurez-vous que la distance entre les haut-parleurs et le dispositif Bluetooth n'excède pas 30 pi/10 mètres.
- «Bluetooth» clignotera sur l'écran du téléviseur et cessera de clignoter après une connexion réussie.

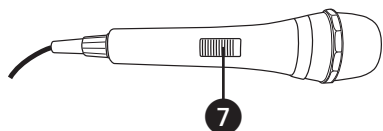
Utilisation

Utilisation d'un appareil Bluetooth (Suite)



5 Pour contrôler le dispositif Bluetooth à partir de cet appareil, appuyez sur la touche **LECTURE/PAUSE (PLAY/PAUSE ►||)** pour débiter la lecture. Appuyez sur la touche **LECTURE/PAUSE (PLAY/PAUSE ►||)** au cours de la lecture pour interrompre la chanson.

6 Ajustez le volume à un niveau confortable en utilisant la commande du **VOLUME PRINCIPAL (MASTER VOLUME)** sur cet appareil ou le volume sur votre dispositif Bluetooth.

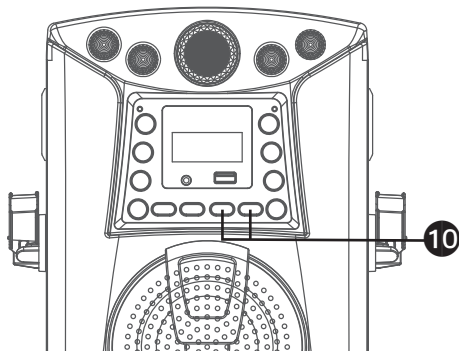
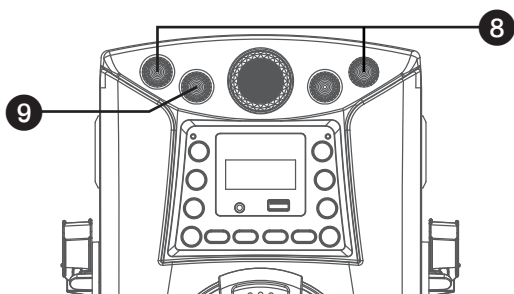


7 Connectez le(s) micro(s), puis glissez l'interrupteur **MARCHE/ARRÊT** sur le micro à la position **MARCHE**.

8 Réglez le **VOLUME DU MICROPHONE 1 ou 2 (MIC 1 or 2 VOLUME)** au niveau souhaité. Le fait de monter ce réglage augmente le volume du/des microphone(s) connecté(s).

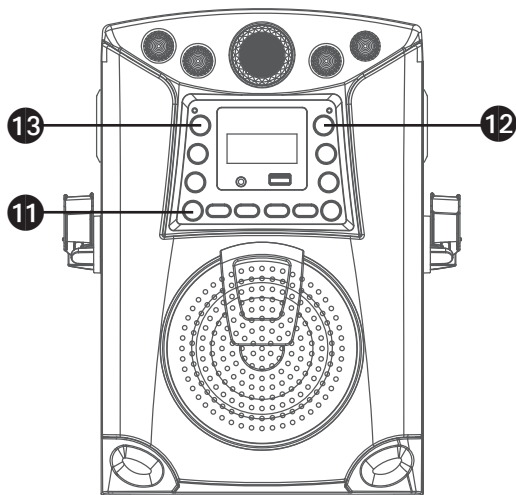
9 Ajustez la balance entre les haut-parleurs en utilisant les commandes **BALANCE**.

10 SAUT: Avancer ou retourner d'une piste à l'autre en appuyant sur les touches **►|/|◄◄**.



Utilisation

Utilisation d'un appareil Bluetooth (Suite)



11 EFFETS VOCAUX : Appuyez plusieurs fois sur la touche **EFFETS VOCAUX** pour sélectionner l'effet vocal ÉCHO, FEMME, HOMME, CHIPMUNK, ROBOT ou RADIO. Sélectionnez "EFO" pour chanter sans aucun effet vocal.

12 REGISTREMENT DE VOS CHANTS: Insérer une clé USB dans le port USB de l'appareil, appuyer le bouton REC; l'indicateur **ENREGISTREMENT (RECORD)** ● s'allumera, l'enregistrement débutera immédiatement. Lorsque l'enregistrement est terminé, appuyer encore le bouton **ENREGISTREMENT (RECORD)** ● pour arrêter.

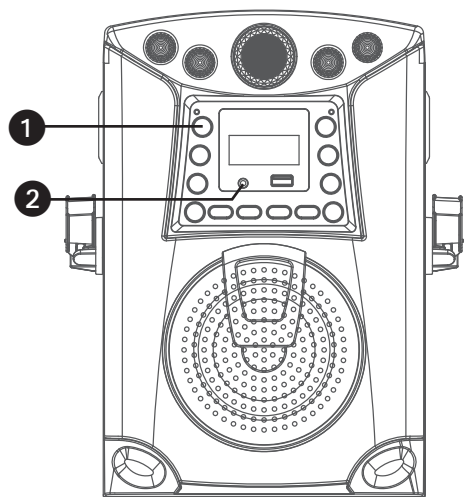
Remarques:


- Une clé USB (non fournie) doit être insérée dans la fente USB pour enregistrer.
- Le fichier audio sera enregistré sur la clé USB.
- Consultez la section « Lire des titres depuis une clé USB » pour écouter vos fichiers enregistrés.

13 Appuyez sur la touche **U** pour éteindre l'appareil.

Utilisation

En utilisant l'entrée LINE IN

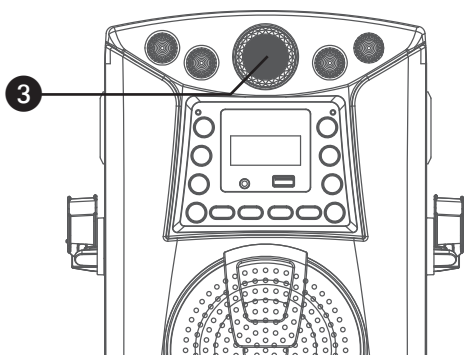


1 Raccordez l'appareil de la manière décrite précédemment. Appuyez sur la touche d'alimentation  pour allumer l'appareil.

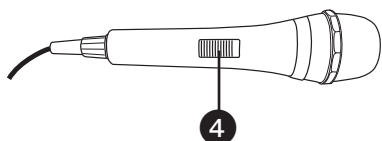
2 Connectez l'appareil audio externe à l'entrée LINE IN située à l'arrière de cet appareil. La connexion avec l'appareil externe permettra au son audio d'être en lecture sur le Singing Machine. Appuyez plusieurs fois sur le bouton **FUNCTION** pour sélectionner le mode LINE IN ; "AU" apparaît alors sur l'écran.

Remarques:

- Il est fortement recommandé de régler le volume de l'appareil auxiliaire à 1/3 du niveau ou plus bas pour éviter toute distorsion.
- Il n'est pas possible de passer des fichiers/pistes lorsque vous utilisez un appareil externe.



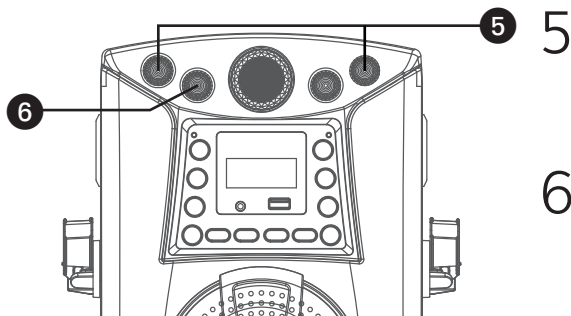
3 Réglez le volume en utilisant la commande de **VOLUME PRINCIPAL (MASTER VOLUME)** de cet appareil ou à partir de la commande de volume de votre dispositif externe.



4 Connectez le(s) micro(s), puis glissez l'interrupteur **MARCHÉ/ARRÊT** sur le micro à la position MARCHÉ.

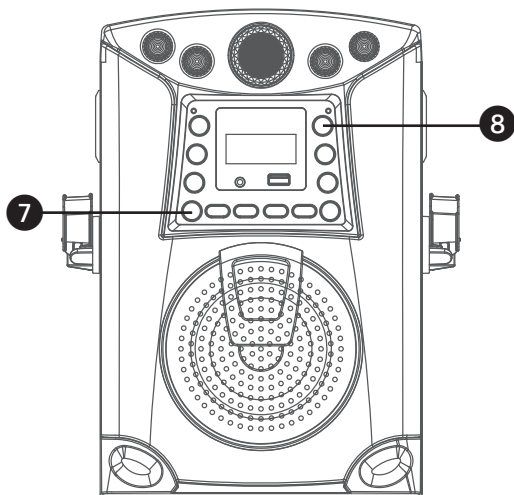
Utilisation

En utilisant l'entrée LINE IN



5 Réglez le Commande **VOLUME DU MICROPHONE 1 ou 2 (MIC 1 or 2 VOLUME)** au niveau souhaité. Le fait de monter ce réglage augmente le volume du micro.

6 Ajustez la balance entre les haut-parleurs en utilisant les commandes **BALANCE**.

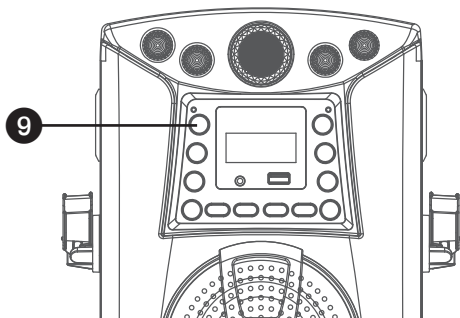


7 **EFFETS VOCAUX** : Appuyez plusieurs fois sur la touche **EFFETS VOCAUX** pour sélectionner l'effet vocal ÉCHO, FEMME, HOMME, CHIPMUNK, ROBOT ou RADIO. Sélectionnez "EFO" pour chanter sans aucun effet vocal.

8 **REGISTREMENT DE VOS CHANTS**: Insérer une clé USB dans le port USB de l'appareil, appuyer le bouton REC; l'indicateur **ENREGISTREMENT (RECORD)** ● s'allumera, l'enregistrement débutera immédiatement. Lorsque l'enregistrement est terminé, appuyer encore le bouton **ENREGISTREMENT (RECORD)** ● pour arrêter.

Remarques:

- Une clé USB (non fournie) doit être insérée dans la fente USB pour enregistrer.
- Le fichier audio sera enregistré sur la clé USB.
- Consultez la section « Lire des titres depuis une clé USB » pour écouter vos fichiers enregistrés.



9 Appuyez sur la touche **U** pour éteindre l'appareil.

Utilisation

Où télécharger des fichiers MP3+G

Conseils pratiques :

Les fichiers .mp3 et .cdg sont fournis en téléchargement dans un seul fichier .zip MP3+G compressé. Il n'est pas possible d'effectuer la lecture du fichier MP3+G en tant que fichier .zip sur une mémoire flash USB. Pour effectuer la lecture de chansons de karaoké à l'aide d'une mémoire flash USB, le fichier .zip MP3+G doit être décompressé comme suit :

- Connectez une mémoire flash USB à votre ordinateur
- Téléchargez le fichier MP3+G à partir de votre section numérique Digital Locker et enregistrez le fichier.zip* dans un dossier de votre ordinateur
- Double-cliquez sur le fichier .zip pour l'ouvrir (vous pourrez voir les fichiers .mp3 et .cdg)
- Faites glisser les fichiers .mp3 et .cdg vers la mémoire flash USB
- Retirez (éjectez) la mémoire flash USB de votre ordinateur

Allumez le karaoké Singing Machine et connectez la mémoire flash USB

Pour acheter ou télécharger des chansons de karaoké, veuillez s'il vous plaît, visiter le <http://store.singingmachine.com> pour accéder à plus de 15 000+ de vos chansons de karaoké favorites. Vous aurez besoin d'un disque USB flash (non inclus) pour transférer les téléchargements vers l'unité. Veuillez suivre les étapes simples:

- 1 Rendez-vous au site <http://store.singingmachine.com> à partir de votre navigateur Internet et ensuite, enregistrez-vous.
- 2 Sélectionnez et achetez vos chansons de karaoké préférées à partir de la boutique Singing Machine Download.
- 3 Téléchargez vos achats sélectionnés à partir du casier Singing Machine Digital vers disque USB flash.
- 4 Insérez le lecteur USB flash comme démontré à la page F12 et amusez-vous!

FAQ

- Où puis-je obtenir de l'aide supplémentaire concernant les formats de fichiers?

Lorsque vous êtes sur la page Internet de la boutique Singing Machine, simplement cliquer sur **format de fichiers (FILE FORMATS)** au bas à gauche.

Remarques:

Vos chansons téléchargées peuvent aussi être gravées sur un disque compact (CDR-CDRW).

The screenshot shows the Singing Machine digital store interface. At the top, there are navigation links for "BROWSE", "Q title, artist or lyrics", "SIGN IN", and "SIGN UP". Below this is a "BROWSE ALL" section with tabs for "FEATURED PACKS", "SONGS", and "ARTISTS". The "FEATURED PACKS" section is highlighted, showing a grid of six featured packs:

- GREATEST LOVE SONGS VOL. 2**: Volume 2, 25 Songs. 40% off regular price. \$30.00.
- KARAOKE HITS VOLUME 3**: Volume 3, 10 Songs. 25% off regular price. \$15.00.
- CLASSIC ROCK VOLUME 3**: Volume 3, 10 Songs. 25% off regular price. \$15.00.
- ROCK ANTHEMS VOLUME 2**: Volume 2, 10 Songs. 25% off regular price. \$15.00.
- MOTOWN CLASSICS VOLUME 1**: Volume 1, 10 Songs. 25% off regular price. \$15.00.
- TOTALLY 80s VOLUME 1**: Volume 1, 10 Songs. 25% off regular price. \$15.00.

Below the featured packs, there are three promotional boxes:


- NOW OPTIMIZED FOR TABLETS AND MOBILE!**: Play your purchased songs in MY LIBRARY on any tablet or mobile device. Connect to your Singing Machine with Blue iTouch for even more fun!
- FREE SONGS!**: When you register your Singing Machine or redeem your promo code, song credits may be added to your account. Make sure to redeem your song credits in your cart to access your free songs!
- SONG PACKS!**: Save time and money by purchasing karaoke song packs! Available for download or direct playback in MY LIBRARY!

At the bottom of the interface, there are three navigation options: "RECENT RELEASES", "TOP SONGS", and "TOP ARTISTS".

Guide de dépannage

En cas de problème avec cet appareil, vérifiez les points suivants avant de le faire réparer:

Aucune alimentation

- L'appareil n'est pas sous tension; appuyez sur la touche **MARCHE/ARRÊT (ON\OFF)**  pour allumer l'appareil.
- Assurez-vous que l'adaptateur AC est bien connecté à l'arrière de l'appareil.
- Connectez l'appareil à un autre périphérique.
- Le fonctionnement normal du produit peut être perturbé par de fortes interférences électromagnétiques. Si c'est le cas, redémarrez simplement le produit pour reprendre son fonctionnement normal en suivant le manuel d'instructions. Dans le cas où la fonction ne pourrait pas reprendre, veuillez utiliser le produit dans un autre emplacement.

Aucun son - général

- Le volume principal est réglé au minimum : augmenter le volume.
- Si la fonction sélectionnée est incorrecte, appuyez sur la touche **FUNCTION** pour changer de fonction.
- Si vous utilisez un dispositif externe, augmenter le volume.

Aucun son - si connecté à votre téléviseur

- Le volume du téléviseur est en mode silence ou trop faible.
- La source appropriée (habituellement AV) n'est pas sélectionnée dans le menu du téléviseur.

Les paroles n'apparaissent pas sur le téléviseur

- Si connecté au téléviseur, la prise Vidéo n'est pas connectée correctement; voir page F5.
- Si connecté au téléviseur, sélectionnez la bonne source sur votre téléviseur (habituellement AV).
- Le fichier/piste en lecture n'est pas un enregistrement avec paroles. Ce sont uniquement ces fichiers qui peuvent vous permettre de voir les paroles sur l'écran de votre téléviseur.
- Rien ne s'affiche à l'écran du téléviseur lorsque vous utilisez LINE IN ou Bluetooth.


Les fichiers sur la clé USB ne s'ouvrent pas

- Le fichier est corrompu; remplacez le fichier.
- Le fichier n'est pas dans un format de lecture compatible.
- Le dispositif USB n'est pas compatible à l'appareil.

Aucun son provenant du microphone

- Assurez-vous que le microphone est connecté fermement à la prise MIC 1 ou MIC 2.
- Assurez-vous que le commutateur **MARCHE/ARRÊT (ON\OFF)** du microphone soit en position MARCHE.
- Assurez-vous que le niveau du **MIC 1 or 2 VOLUME** n'est pas trop faible.
- Le volume principal est réglé au minimum : augmenter le volume.

L'appareil Bluetooth ne peut pas être jumelé ou connecté avec l'appareil

- Vous n'avez pas activé la fonction Bluetooth de votre appareil; consultez la page F16 ou reportez-vous au mode d'emploi de l'appareil Bluetooth.
- Le système n'est pas en mode de jumelage, appuyez et maintenez enfoncé le bouton **JUMELER (PAIR)**  pour redémarrer le jumelage.

La lecture musicale n'est pas disponible sur l'appareil après l'établissement de la connexion Bluetooth

- Assurez-vous que l'appareil Bluetooth est compatible avec le profil Bluetooth A2DP.
- Le volume du dispositif externe Bluetooth est en mode silence ou trop faible; augmenter le volume.

Caractéristiques techniques

AUDIO

Alimentation de sortie (MAX)..... 3.5 Watts (RMS)
Impédance de sortie..... 3 Ohms

SECTION DU LECTEUR DE CD

RÉPONSE EN FRÉQUENCE100Hz - 20kHz
RATIO DU SIGNAL-BRUIT50dB

BLUETOOTH

Bluetooth VersionV5.0
Distance de travail jusqu'à 30 pieds/10 mètres mesuré en espace ouvert

USB

Format..... FAT32
Compatibilité maximale 32GB

SECTION AUX IN 3,5 mm prise d'écouteurs stéréo
MICROPHONE -74db 600 Ohm impédance avec microphone dynamique de 6,3 mm

SECTION PUISSANCE DC 5,8V 1,5A
CONSOMMATION D'ÉNERGIE 8,7 W
DIMENSIONS (H x L x P) 12,8 x 10,5 x 8,1 inches / 32,7 x 26,6 x 20,6 cm
Poids 4,6 lbs / 2,1 kgs

Caractéristiques sujettes à modifications sans préavis.



Le nom de marque et les logos Bluetooth® sont des marques déposées de Bluetooth SIG, Inc. et toute utilisation de ces marques et logos par The Singing Machine Company, Inc. s'effectue sous licence. Les autres marques de commerce et noms de commerce appartiennent à leurs propriétaires respectifs.

Visit Our Website: www.singingmachine.com
Visite nuestro sitio web: www.singingmachine.com
Visitez notre site Internet au: www.singingmachine.com

Copyright © 2021 All Rights Reserved.
Derechos de autor © 2021 Todos los derechos reservados.
Droit d'auteur © 2021 Tous Droits Réservés.

The Singing Machine Company, Inc.
4060 E Jurupa Street, Unit B
Ontario, CA 91761-1413 USA

The Responsible Party

Company Name : The Singing Machine Company, Inc.

Address : 6301 NW 5th Way, Suite 2900, Fort Lauderdale,
FL33309, USA

Telephone : 954 -596-1000

Website : www.singingmachine.com

PRINTED IN CHINA
IMPRESO EN CHINA
IMPRIMÉ EN CHINE
633-2101-ESF01-US