

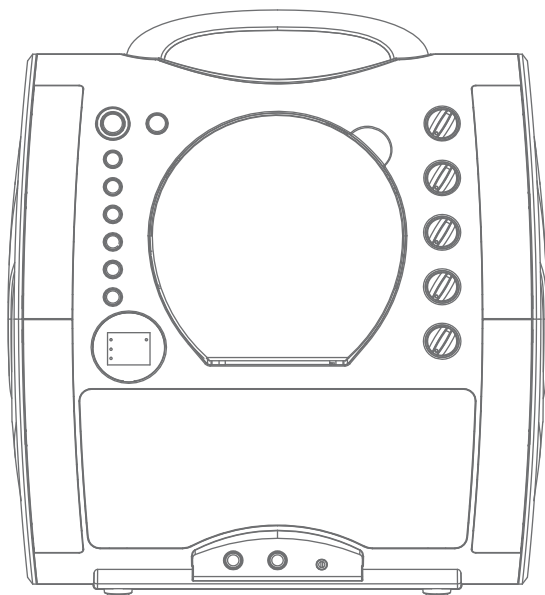


singing machine®

creating Joy through music™

SML343BTBK / SML343BTP

INSTRUCTION MANUAL/ MANUAL DE INSTRUCCIONES/ MODE D'EMPLOI/
BEDIENUNGSANLEITUNG/ MANUALE DI ISTRUZIONI



www.singingmachine.com

The Singing Machine® is a registered trademark of The Singing Machine Co., Inc.

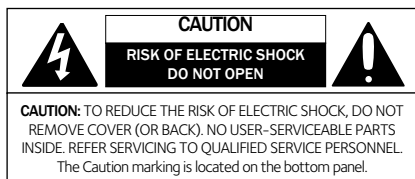
The Singing Machine® es marca registrada de The Singing Machine Co., Inc.

The Singing Machine® est une marque déposée par The Singing Machine Co., Inc.

The Singing Machine® ist eine eingetragene Handelsmarke von The Singing Machine Co., Inc.

The Singing Machine® è un marchio registrato di The Singing Machine Co., Inc.

Warnings



DANGEROUS VOLTAGE: The lightning flash with arrowhead symbol within an equilateral triangle is intended to alert the user to the presence of uninsulated dangerous voltage within the product's enclosure that may be of sufficient magnitude to constitute a risk of electric shock to persons.



ATTENTION: The exclamation point within an equilateral triangle is intended to alert the user to the presence of important operating and maintenance (servicing) instructions in the literature accompanying this product.

DRIPPING WARNING: This product shall not be exposed to dripping or splashing, and no objects filled with liquids, such as vases, shall be placed on the product.

VENTILATION WARNING: The normal ventilation of the product shall not be impeded for intended use.

Warning: Changes or modifications to this unit not expressly approved by the party responsible for compliance could void the user's authority to operate the equipment.

Main plug is used as disconnect device and it should remain readily operable during intended use. In order to disconnect the apparatus from the mains completely, the main plug should be disconnected from the main socket outlet completely.

WARNING: TO PREVENT FIRE OR SHOCK HAZARD, DO NOT EXPOSE THIS UNIT TO RAIN OR MOISTURE.

Warnings:

- This CD player employs a laser light beam. Only a qualified service person should remove the cover or attempt to service this device, due to possible eye injury.
- The use of controls, adjustments, or procedures other than those specified herein might result in hazardous radiation exposure.
- The apparatus shall be used in an open area.

CAUTION!

Invisible laser radiation when open and interlocks defeated. Avoid exposure to beam.

Class II equipment symbol.

This symbol indicates that the unit has a double insulation system.



This symbol on the product or in the instructions means that your electrical and electronic equipment should be disposed of at the end of its life separately from your household waste. There are separate collection systems for recycling in the EU.

For more information, please contact the local authority or your retailer where you purchased the product.

Under the influence of electrostatic phenomenon, the product may malfunction and require user to reset.

Important Safety Information

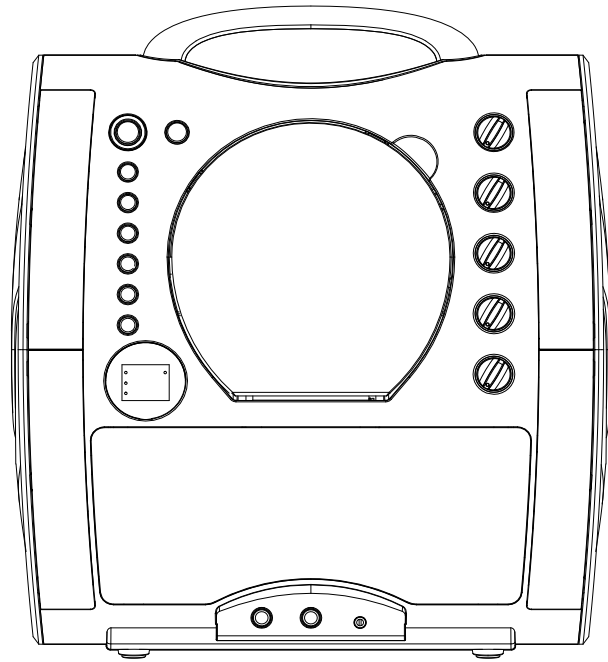
1. Read these Instructions.
2. Keep these Instructions.
3. Heed all Warnings.
4. Follow all Instructions.
5. Do not use this apparatus near water.
6. Clean only with a dry cloth.
7. Do not block any of the ventilation openings. Install in accordance with the Manufacturer's instructions.
8. Do not install near any heat sources such as radiators, heat registers, stoves, or other apparatus (including amplifiers) that produce heat.
9. Do not defeat the safety purpose of the polarized or grounding-type plug. A polarized plug has two blades with one wider than the other. A grounding type plug has two blades and a third grounding prong. The wide blade or the third prong are provided for your safety. When the provided plug does not fit into your outlet, consult an electrician for replacement of the obsolete outlet.
10. Protect the power cord from being walked on or pinched particularly at plugs, convenience receptacles, and the point where they exit from the apparatus.
11. Only use attachments/accessories specified by the manufacturer.
12. Use only with a cart, stand, tripod, bracket, or table specified by the manufacturer, or sold with the apparatus. When a cart is used, use caution when moving the cart/apparatus combination to avoid injury from tip-over.
13. Unplug this apparatus during lightning storms or when unused for long periods of time.
14. Refer all servicing to qualified service personnel. Servicing is required when the apparatus has been damaged in any way, such as power-supply cord or plug is damaged, liquid has been spilled or objects have fallen into the apparatus, the apparatus has been exposed to rain or moisture, does not operate normally, or has been dropped.
15. **WARNING:** To reduce the risk of fire or electric shock, do not expose this apparatus to rain or moisture. Do not place objects filled with water, such as a vase, on the apparatus.
16. The AC mains plug is used as the power disconnect device and it should remain readily accessible and operable during intended use. In order to completely disconnect the apparatus from power, the mains plug should be completely removed from the AC outlet socket.
17. **CAUTION:** To reduce the risk of fire or explosion, do not expose batteries to excessive heat such as sunshine, fire or other heat sources.

PORTABLE CART WARNING
(symbol provided by RETAC)



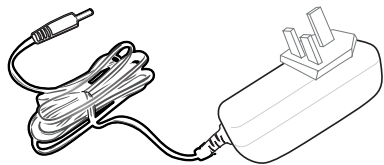
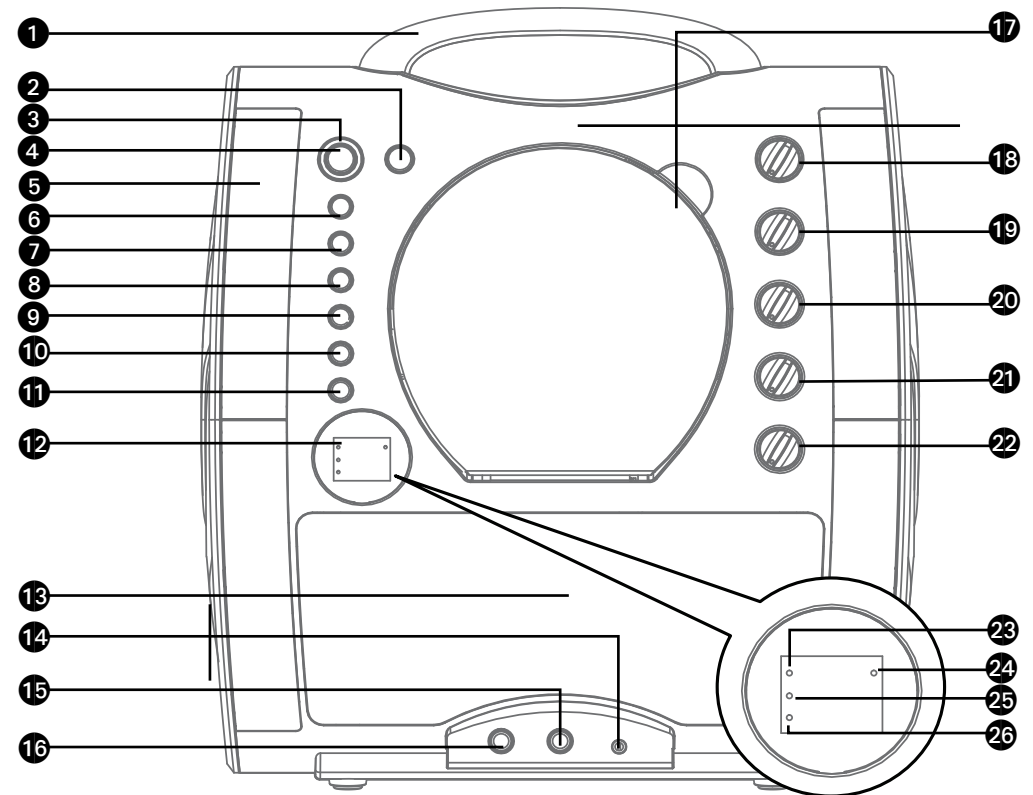
Included

What's in the box.

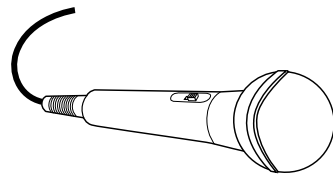


Main Unit

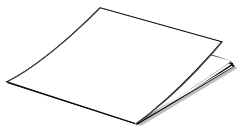
Location of Controls (Front)



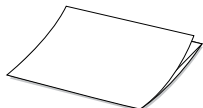
AC Adapter



Wired Microphone



Manual



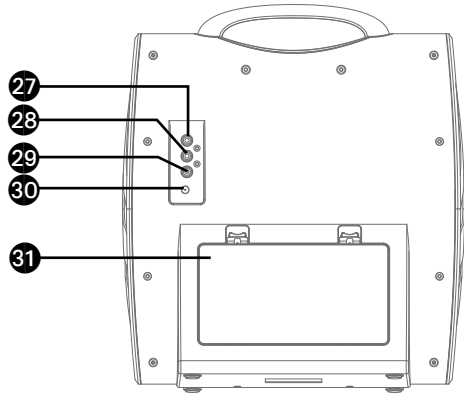
Welcome Kit



Audio/Video Cables

- | | | |
|---------------------------|---------------------------|--------------------------|
| 1. Handle | 11. FUNCTION button | 22. MIC VOLUME control |
| 2. Disco Light button | 12. Display | 23. CDG indicator |
| 3. ON/STANDBY indicator | 13. Speaker | 24. PLAY/PAUSE indicator |
| 4. ON/STANDBY button | 14. AUX IN jack | 25. PROGRAM indicator |
| 5. Disco Lights | 15. MIC 2 jack | 26. REPEAT indicator |
| 6. PLAY/PAUSE/PAIR button | 16. MIC 1 jack | |
| 7. STOP button | 17. CD door | |
| 8. SKIP ►► Button | 18. MASTER VOLUME control | |
| 9. SKIP ◀◀ Button | 19. ECHO control | |
| 10. PROGRAM/REPEAT button | 20. Auto Voice Control | |
| | 21. BALANCE Control | |

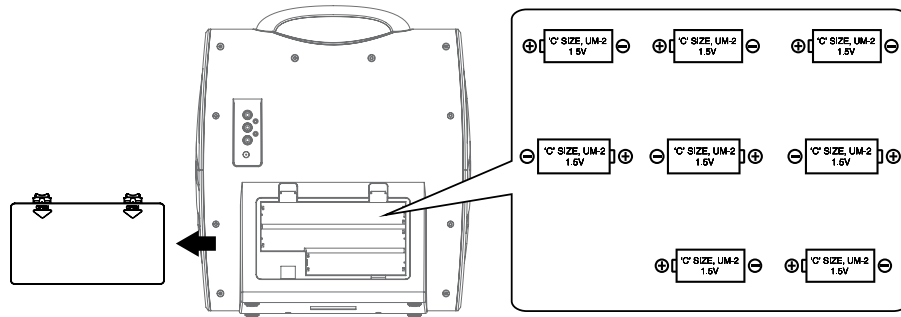
Location of Controls (Rear)



- 27. VIDEO OUT jack
- 28. AUX OUT jack (R)
- 29. AUX OUT jack (L)
- 30. DC IN Jack
- 31. Battery Door

Connection

Installation of Batteries



DC OPERATION

1. Slide the battery door in the direction of the arrow to reveal the battery compartment. Insert eight (8) "C" size alkaline batteries (not included) as indicated on the diagram.
2. Replace cover tightly before operating.

CAUTIONS:

- Replace all batteries at the same time.
- Do not mix old batteries with new batteries.

Battery Precautions

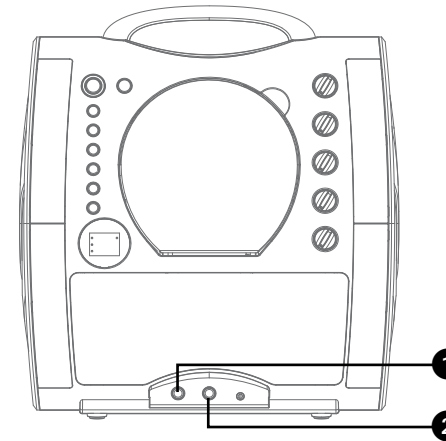
The precautions below should be followed when using batteries in this device:

1. Use only the size and type of batteries specified.
2. Be sure to follow the correct polarity when installing the batteries as indicated in the battery compartment. Reversed batteries may cause damage to the device.
3. Do not mix different types of batteries together (e.g. Alkaline and Carbon Zinc) or old batteries with fresh ones.
4. If the device is not to be used for a long period of time, remove the batteries to prevent damage or injury from possible battery leakage.

5. Do not try to recharge batteries not intended to be recharged, they can overheat and rupture. (Follow battery manufacturer's directions.)
6. Rechargeable batteries are to be removed from the product before being charged.
7. Rechargeable batteries are only to be charged under adult supervision.
8. Exhausted batteries are to be removed from the product.
9. Batteries shall not be exposed to excessive heat such as sunshine, fire or the like.

Connection

Connecting the Microphone(s)

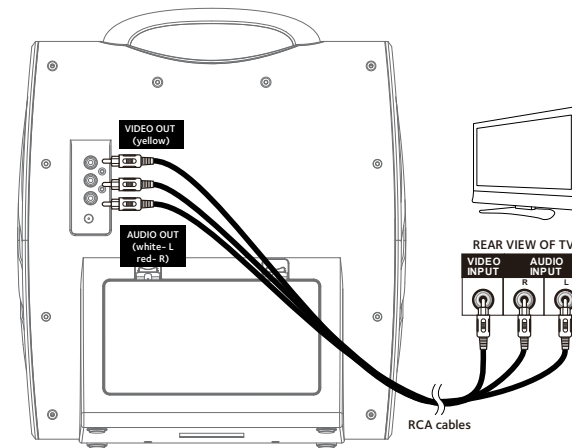


Microphones:

Connect a microphone into Mic jack 1 as well as Mic jack 2 (when desired).

Note: Do not drop or tap the Mic as damage to the Mic or speakers may occur. Do not twirl the microphone cord as it will cause damage to the encased wiring.

Connecting the Unit to a TV



To output the video, lyrics and audio to your TV, follow these steps:

Connect the RCA video cable (Yellow) to the VIDEO OUT jack and the audio cables (White and Red) to the AUDIO OUT jacks located on the back of the Singing Machine.

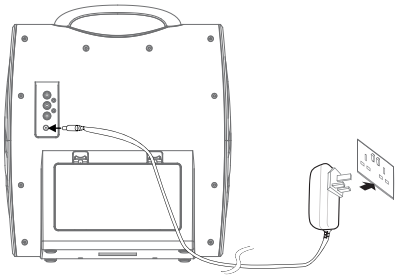
Connect the opposite end of the RCA video cable (Yellow) to the VIDEO IN jack and the audio cables (White and Red) to the AUDIO IN on your TV.

Notes:

- This unit can be used with or without a TV, but it is highly recommended to use a TV in order to utilize all the features.
- Also refer to the TV's User Guide.
- To see the lyrics on the screen, you must use a CD+G disc.

Connection

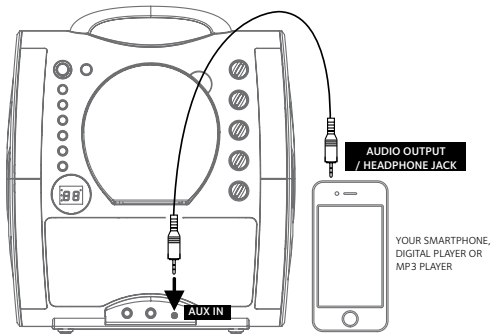
Connecting to AC Power



Insert the AC power cord into an AC outlet having 100–240 V AC, 50–60 Hz.

Note:
Make all connections before connecting to AC power.

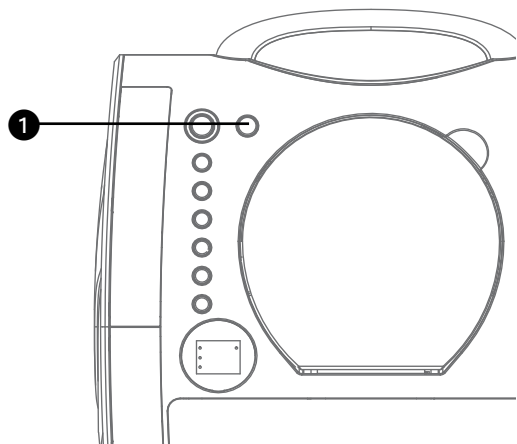
Connecting to AUX IN Jack



Connect an external device by using an appropriate cable (3.5mm audio cable not included) as shown.

Note:
See page E13 to select and use the AUX IN function.

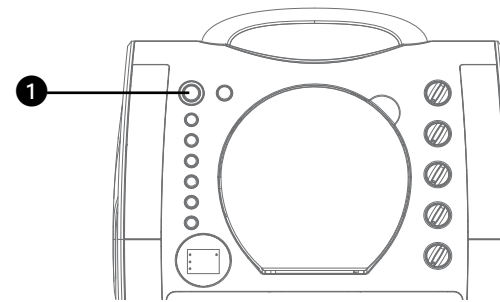
Disco Lights



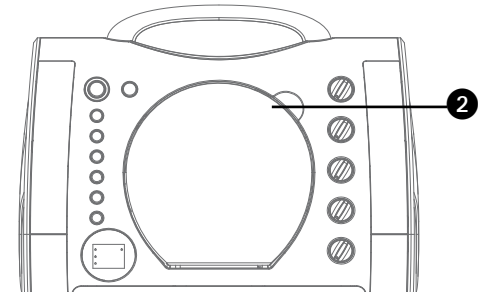
1 Press the **Disco Light** button to switch on the lighting effect, press again to switch off.

Operation

Playing a CDG



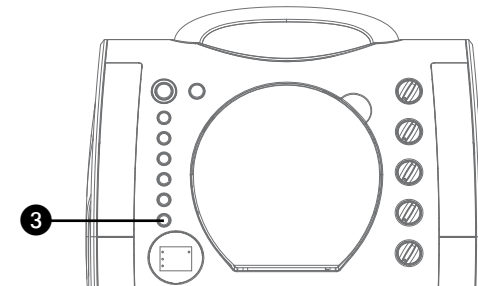
1 Connect the unit as described previously; if using a CD+G, it is recommended to connect to a TV (see page E5). Press the power **ON/STANDBY** button to turn the unit on.



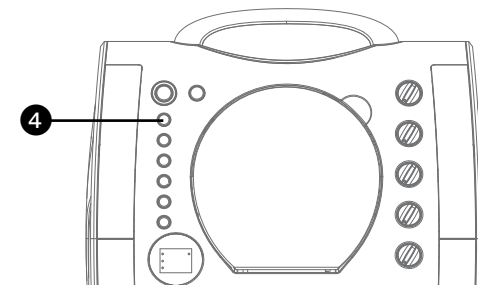
2 Lift open the CD door and insert a CD or a CD+G by gently pressing it on the center spindle. Then close the CD door.

Note:

- **What is a CD+G?**
A CD+G (CD+Graphics) is the standard format for most karaoke discs that will display the words on the screen.
- Never place anything other than a CD in the compartment, as foreign objects can damage the unit.
- If no disc is inserted, “no” will appear on the display.
- If connected to a TV and/or other audio source, adjust the volume of the external unit using its own volume control.



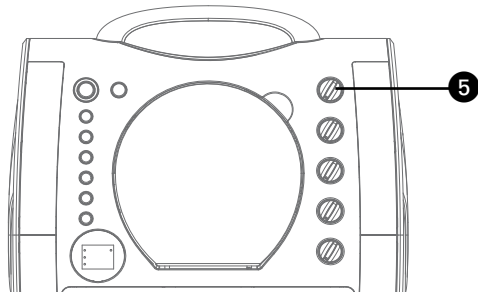
3 Repeatedly press the **FUNCTION** button to select the CDG mode; “--” will appear when searching the disc and then the total number of tracks will appear. When a CDG disc is inserted, the CDG indicator light will turn on.



4 Press the **PLAY/PAUSE** button to start playback; if listening to a CD+G file, the image and lyrics will appear on the TV screen (if connected) and the PLAY/PAUSE indicator light will turn on.

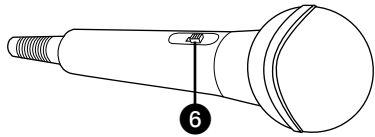
Operation

Playing a CDG (Continued)



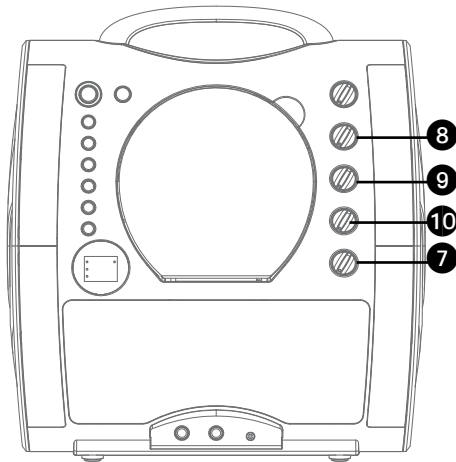
5 Adjust the volume to a comfortable level using the **MASTER VOLUME** control.

6 Connect microphone(s) as shown on page E5, and slide the **ON/OFF** switch on the microphone to the ON position.



7 Adjust the **MIC VOLUME** control as desired. Increasing this control will increase the volume of both microphones.

8 Rotate the **ECHO** control to add an echo effect to your voice. Rotate towards MAX to increase the echo effect.

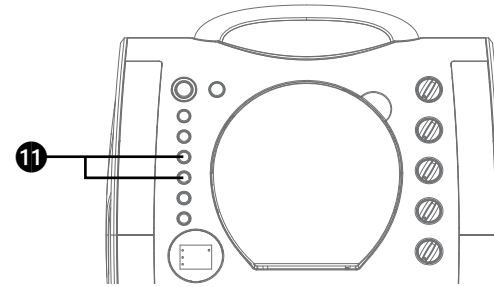


9 **AUTO VOICE CONTROL** can be activated by rotating the **AVC** control. The higher this control is set to, the more the vocals on the multiplex recording will be muted when the singer starts to sing through the microphone. When the singer stops singing, the recorded vocals on the multiplex recording will resume to normal.

10 Rotate the **BALANCE** control clockwise to hear the music and recorded vocals from a multiplex recording or counterclockwise to hear the music only from a multiplex recording.
Note: To use the **BALANCE** control, a CD+G disc must be used, otherwise it will operate as a standard Balance control.

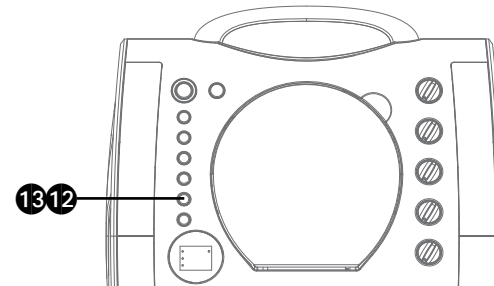
Operation

Playing a CDG (Continued)



11 **SKIP:** Advance or go back one track by pressing the **Skip** **⏮/Skip** **⏭** buttons.

12 **REPEAT:** During playback, press the **PROGRAM/REPEAT** button once to repeatedly play the selected song; the REPEAT indicator will blink. Press the **PROGRAM/REPEAT** button a second time to repeatedly play the whole CD; the REPEAT indicator will light solid. Press it again to cancel Repeat function, the REPEAT indicator turns off.



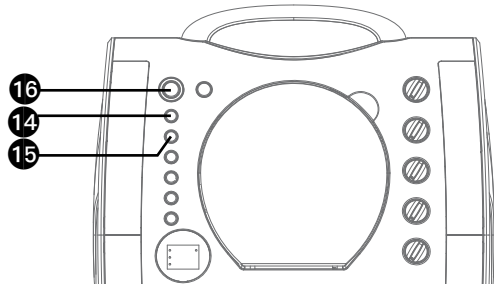
13 **PROGRAM:** You can program up to 20 tracks on any disc for playback in any desired order. While in the Stop mode, press the **PROGRAM/REPEAT** button; the PROGRAM indicator will blink and "00" will appear. Select the first track using the **Skip** **⏮/Skip** **⏭** buttons. Press the **PROGRAM/REPEAT** button again to confirm the entry. After selecting the desired tracks the display will show 01, 02, etc. recognizing the tracks selected have been programmed and the PROGRAM indicator will illuminate solid red. Repeat to set up to 20 tracks into memory. When done, press the **PLAY/PAUSE** button to start playback.

Note:

- Press the **STOP** button TWICE to stop and clear the program.

Operation

Playing a CDG (Continued)



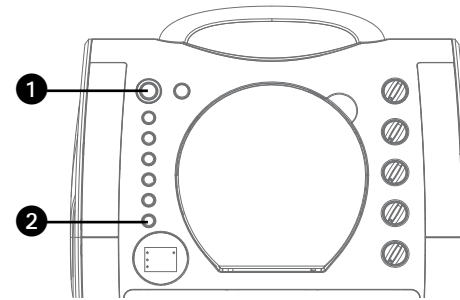
14 PAUSE: During playback, if you wish to pause the disc momentarily, press the **PLAY/PAUSE** button; the PLAY/PAUSE indicator will blink. Press again to resume normal playback.

15 Press the **STOP** button to stop playback.

16 Press the power **ON/STANDBY** button to turn the unit off.

Operation

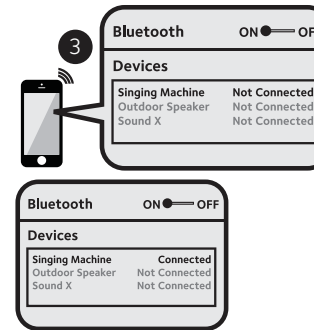
Using a Bluetooth Device



1 Connect the unit as described previously. Press the power **ON/STANDBY** button to turn the unit on.

2 Repeatedly press the **FUNCTION** button to select the Bluetooth mode; “bt” will blink in the display as the unit automatically searches for and pairs a previously paired Bluetooth device (if previously paired). If no previously paired devices are present, connect as shown in the next step.

Note: You can also press and hold the **PLAY/PAUSE/PAIR** button to disconnect any paired devices in order to pair another device.



3 Turn on your device’s Bluetooth option in settings to search for a discoverable device with a Bluetooth signal. Select “**Singing Machine**” from the device results on the Bluetooth menu.

Note: Also refer to the user manual of your Bluetooth device for detailed instructions.

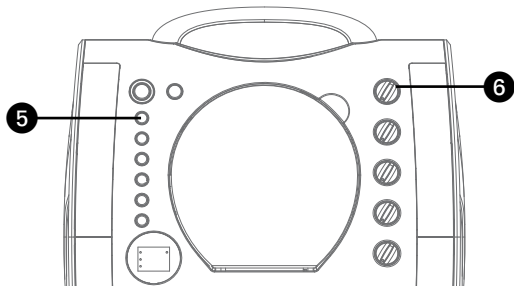
4 The “bt” will light solid in the display. The Bluetooth indicator will light and a successful pairing sound will be heard.

Notes:

- If your Bluetooth prompts you for a passcode during the pairing process, please enter “0000” to connect.
- On some Bluetooth devices, once pairing is complete, select your Bluetooth device as “Use as Audio Device” or similar.
- If connection is lost after successful pairing, check to make sure the distance between speaker and Bluetooth-enabled device does not exceed 30 feet/10 meters.
- “Bluetooth” will blink on TV screen, and will stop blinking after successful connection.

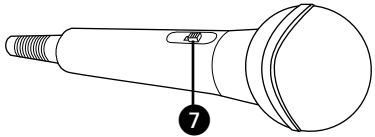
Operation

Using a Bluetooth Device (Continued)

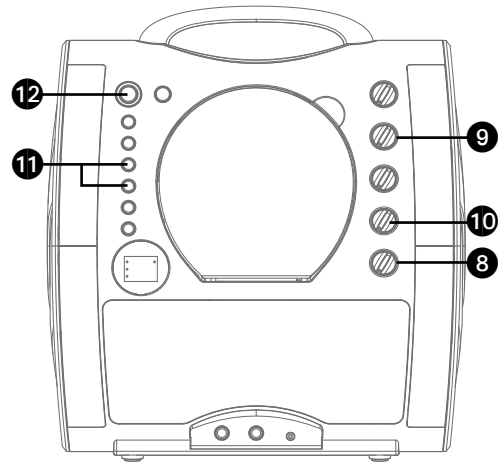


5 To control your Bluetooth device from this unit, press the **PLAY/PAUSE** button to start playback. Press the **PLAY/PAUSE** button during playback to pause the song.

6 Adjust the volume to a comfortable level using the **MASTER VOLUME** control on this unit as well as the volume on your Bluetooth device.



7 Connect microphone(s) as shown on page E5, and slide the **ON/OFF** switch on the microphone to the ON position.



8 Adjust the **MIC VOLUME** control as desired. Increasing this control will increase the volume of both microphones.

9 Rotate the **ECHO** control to add an echo effect to your voice. Rotate towards **MAX** to increase the echo effect.

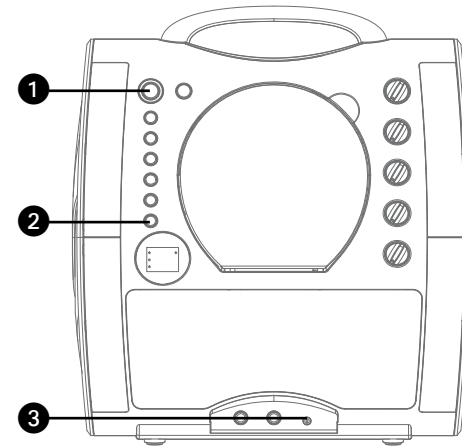
10 Adjust the balance between the speakers using the **BALANCE** control.

11 **SKIP:** Advance or go back one track by pressing the **Skip** **⏮/Skip** **⏭** buttons.

12 Press the power **ON/STANDBY** button to turn the unit off.

Operation

Using the AUX IN Jack



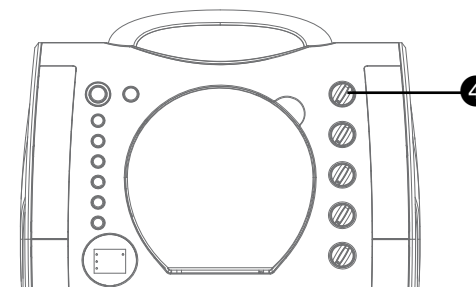
1 Connect the unit as described previously. Press the power **ON/STANDBY** button to turn the unit on.

2 Repeatedly press the **FUNCTION** button to select the AUX IN mode; "AU" will appear on the display.

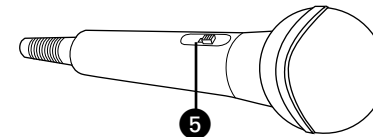
3 Connect the external unit to the AUX IN Jack on the front of this unit. Connecting an external unit will allow the audio to be played through your Singing Machine.

Notes:

- It is highly recommended to set the volume on the auxiliary unit to 1/3 or lower to avoid distortion.
- Skipping files/tracks is not possible on this unit when using an external device.



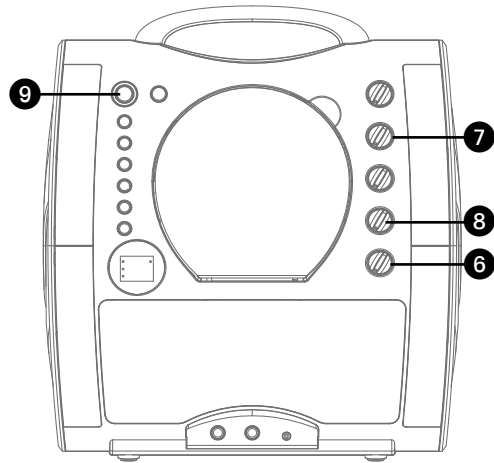
4 Adjust the volume using the **MASTER VOLUME** control on this unit or your external device's volume control.



5 Connect microphone(s) as shown on page E5. Slide the **ON/OFF** switch on the microphone to the ON position.

Operation

Using the AUX IN Jack (Continued)



6 Adjust the **MIC VOLUME** control as desired. Increasing this control will increase the volume of both microphones.

7 Rotate the **ECHO** control to add an echo effect to your voice. Rotate towards **MAX** to increase the echo effect.

8 Adjust the balance between the speakers using the **BALANCE** control.

9 Press the power **ON/STANBY** button to turn the unit off.

Energy Saving Mode (Auto Power System-APS)

The unit will automatically enter the Standby mode after 15 minutes in the following situations:

1. There is no CD in the compartment or the playback of CD has been stopped;
2. The playback of external music player had been stopped but the audio cable is still plugged into the AUX IN jack;
3. The Bluetooth music has been stopped..

The unit can be resumed to turn on by pressing the **ON/STANDBY** button once.

APS is for energy saving purposes.

Troubleshooting Guide

Should this unit exhibit a problem, check the following before seeking service:

No Power

- Power is not on; press the power **ON/STANBY** button to turn power on.
- Confirm that the AC adapter is connected securely to the back of the unit.
- Connect the unit to a different outlet.

No Sound – General

- Master Volume is set to minimum; raise volume.
- Correct Function was not selected; select using the **FUNCTION** button.
- If using an external device, raise the volume.

No Sound – If connected to a TV

- Volume on the TV is muted or too low.
- Correct source (usually AV) was not selected on the TV's menu.

Lyrics do not appear on the TV screen

- If connected to a TV, Video plug is not connected properly; see page E5.
- If connected to a TV, select the correct source on the TV (usually AV).
- The file/track being played is not a track recording with lyrics. These are the only files that allow you to view the lyrics on the TV screen.
- Nothing will appear on the TV screen when using AUX IN or Bluetooth.

No sound from the microphone

- Make sure the microphone is firmly connected to the MIC 1 or MIC 2 jack.
- Make sure the **ON/OFF** switch on the microphone is set to the ON position.
- Make sure the **MIC VOLUME** setting is not set too low.
- **MASTER VOLUME** is set to minimum; raise volume.
- Adjust The **Echo** control past the mid point on the Singing Machine.

The Bluetooth device cannot be paired or connected with the unit

- You have not activated the Bluetooth function of your device; see page E11 or refer to the Bluetooth device user's manual.
- The system is not in pairing mode; press the **Pair** button to restart pairing.

The Music is not available on the unit after successfully connecting the Bluetooth

- Ensure your Bluetooth device can support the A2DP Bluetooth profile.
- The volume on the external Bluetooth device is set to low or muted; raise as desired.

Specifications

AUDIO

OUTPUT POWER (MAXIMUM) 2 Watts (RMS)

OUTPUT IMPEDANCE 8 Ohms

CD PLAYER SECTION

FREQUENCY RESPONSE 100 Hz - 20 kHz

SIGNAL-TO-NOISE RATIO 50 dB

NUMBER OF PROGRAMS 20 Step Random Access Programming

SAMPLING SYSTEM 8 Times Over Sampling

BLUETOOTH

Bluetooth Version V4.2

Working Distance Up to 30 feet/10 meters measured in open space

AUX IN SECTION 3.5 mm Stereo Headphone Jack

MICROPHONE -74 db 600 Ohm Impedance with 6.3 mm Dynamic Microphone

POWER SECTION DC 12V --- 1A ⊖ ⊕ (8 x "C" Batteries) (Batteries not included)

DIMENSIONS (HxWxD) 13.3 x 12.0 x 6.1 inches / 36.6 x 33.6 x 18.1 cm

WEIGHT 4.0 lbs / 1.82 kgs

Specifications are typical. Individual units might vary and are subject to continuous improvement without notice and/or incurring any obligation.

The Bluetooth® word mark and logos are registered trademarks owned by Bluetooth SIG, Inc. and any use of such marks by The Singing Machine Company, Inc. is under license.

Other trademarks and trade names are those of their respective owners.

Advertencias

PRECAUCIÓN



RIESGO DE DESCARGA ELÉCTRICA. NO ABRIR



PRECAUCIÓN: PARA REDUCIR EL RIESGO DE DESCARGAS ELÉCTRICAS, NO quite la cubierta (ni la tapa posterior) NO HAY PIEZAS REPARABLES POR EL USUARIO DENTRO. DERIVE LAS REPARACIONES A PERSONAL DE SERVICIO CALIFICADO.

Las marcas de Precaución se ubican en el panel inferior.



TENSIÓN PELIGROSA: La luz intermitente con símbolo de flecha dentro de un triángulo pretende alertar al usuario de la presencia de tensión peligrosa no aislada, dentro del paquete del producto, que puede ser de magnitud suficiente para constituir un riesgo de descarga eléctrica para las personas.



ATENCIÓN: El signo de exclamación dentro de un triángulo pretende alertar al usuario de la presencia de instrucciones importantes de operación y mantenimiento (reparaciones) en el material que acompaña a este producto.

ADVERTENCIA DE GOTEOS: Este producto no se podrá exponer a goteo o salpicaduras, y no se colocará ningún objeto lleno con líquidos, como jarrones, encima del producto.

ADVERTENCIA DE VENTILACIÓN: La ventilación normal del producto no se bloqueará si se le da el uso previsto.

Advertencia: Los cambios o modificaciones efectuados a esta unidad que no hayan sido expresamente aprobados por la parte responsable del cumplimiento, podrían anular la autoridad del usuario para operar el equipo.

El enchufe se utiliza como un dispositivo de desconexión y debe estar listo para su funcionamiento cuando sea necesario. Para desconectar el equipo por completo de la red eléctrica, el enchufe deberá desconectarse completamente de la toma de corriente.

ADVERTENCIA: PARA EVITAR INCENDIOS O PELIGROS DE DESCARGA, NO EXPONGA ESTA UNIDAD A LA LLUVIA O HUMEDAD.

Advertencias:

- Este reproductor de CD utiliza un haz de luz láser. Solo la persona de reparaciones calificada es quien puede retirar la cubierta y reparar este dispositivo debido a posibles lesiones en la vista.
- El uso de controles, ajustes o la realización de procedimientos que no sean los especificados en el presente pueden producir exposición a radiación peligrosa.
- El artefacto deberá utilizarse en un espacio abierto.

¡PRECAUCIÓN!

Si la caja se abre o el dispositivo de seguridad se destruye, puede producirse la emisión invisible de radiación láser. Evite la exposición al haz de luz.

Símbolo de equipo Clase II.

Este símbolo indica que la unidad tiene sistema de doble aislamiento.



Este símbolo en el producto o en las instrucciones significa que su equipo eléctrico y electrónico se debe desechar al finalizar la vida útil del mismo en forma separada de los desperdicios del hogar. Existen sistemas de recogida selectiva para el reciclaje en la UE.

Si desea más información, comuníquese con la autoridad local o con el minorista donde adquirió el producto.

Bajo la influencia de fenómenos electrostáticos, se puede producir el mal funcionamiento del producto. En ese caso, el usuario deberá reiniciarlo.

Información importante sobre seguridad

1. Lea estas instrucciones.
2. Conserve estas instrucciones.
3. Preste atención a todas las advertencias.
4. Siga todas las instrucciones.
5. No utilice este artefacto cerca del agua.
6. Límpielo únicamente con un paño seco.
7. No obstruya las aberturas para ventilación. Instálelo de acuerdo con las instrucciones del fabricante.
8. No instale cerca de fuentes de calor, como radiadores, rejillas de calefacción, estufas u otros aparatos (incluso amplificadores) que produzcan calor.
9. No desafíe el fin de seguridad del enchufe polarizado o de conexión a tierra. Un enchufe polarizado tiene dos clavijas y una es más ancha que la otra. El enchufe de conexión a tierra tiene dos clavijas, y una tercera punta a tierra. La clavija ancha o la tercera punta se suministran para su seguridad. Si el enchufe suministrado no coincide con su tomacorriente, consulte con un electricista para reemplazar el tomacorriente obsoleto.
10. Evite pisar o apretar el cable de alimentación, especialmente en los enchufes, tomacorrientes y en el punto por donde salen del artefacto.
11. Utilice sólo los complementos y accesorios especificados por el fabricante.
12. Utilice la unidad sólo con el carro, soporte, trípode, repisa o mesa recomendados por el fabricante, o que se vendan junto con el producto.

Quando se utiliza un carro, tenga cuidado cuando mueva el carro y artefacto junto a para evitar lesiones producidas por la caída del producto.

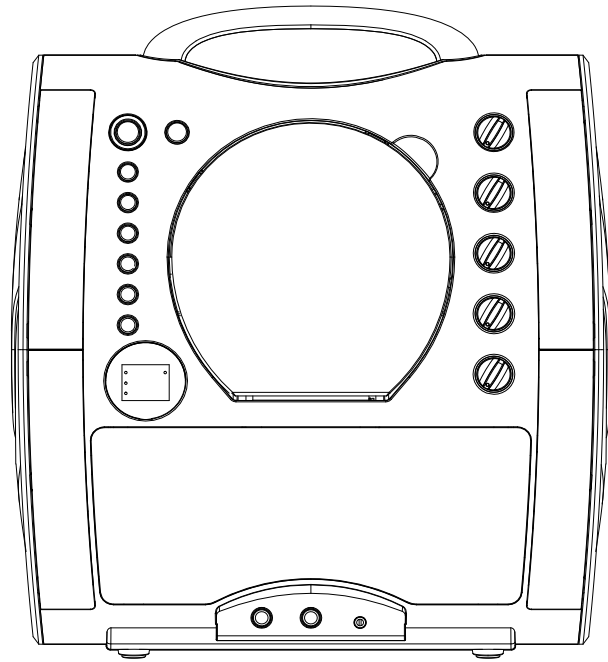
13. Desenchufe este artefacto durante las tormentas eléctricas o cuando no se lo utilice durante períodos prolongados.
14. Derive todas las reparaciones al personal de reparaciones calificado. Es necesario reparar el artefacto cuando se encuentra dañado; por ejemplo, cuando el cable de suministro de energía o el enchufe están dañados, cuando se derrama líquido sobre la unidad o caen objetos dentro del mismo, cuando el producto ha estado expuesto a la lluvia o a la humedad, cuando no funciona con normalidad o cuando se ha caído.
15. **ADVERTENCIA:** Para reducir el riesgo de incendio o descarga eléctrica, no exponga este artefacto a la lluvia o la humedad. No coloque objetos llenos de agua, como jarrones, sobre el aparato.
16. El enchufe de conexión de CA se utiliza como dispositivo de desconexión eléctrica y deberá estar siempre accesible y en funcionamiento durante el uso previsto. Para desconectar completamente el aparato de la electricidad, el enchufe de conexión deberá quitarse por completo del tomacorriente de CA.
17. **PRECAUCIÓN:** Para reducir el riesgo de incendio o explosión no exponga las baterías al calor excesivo, como al rayo del sol, fuego u otras fuentes de calor.

ADVERTENCIA SOBRE EL CARRO PORTÁTIL (SIEMPRE SOBREVIVA SIN RETAR)

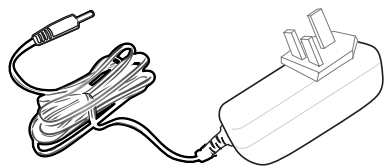


Se incluyen

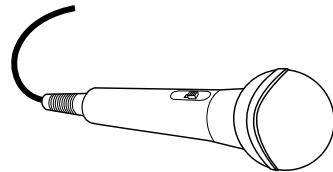
Asegúrese de que estén incluidos los siguientes elementos.



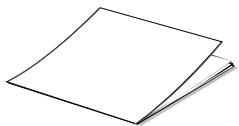
Unidad principal



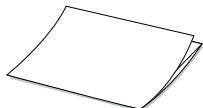
Adaptador de CA



Micrófono con cable



Manual

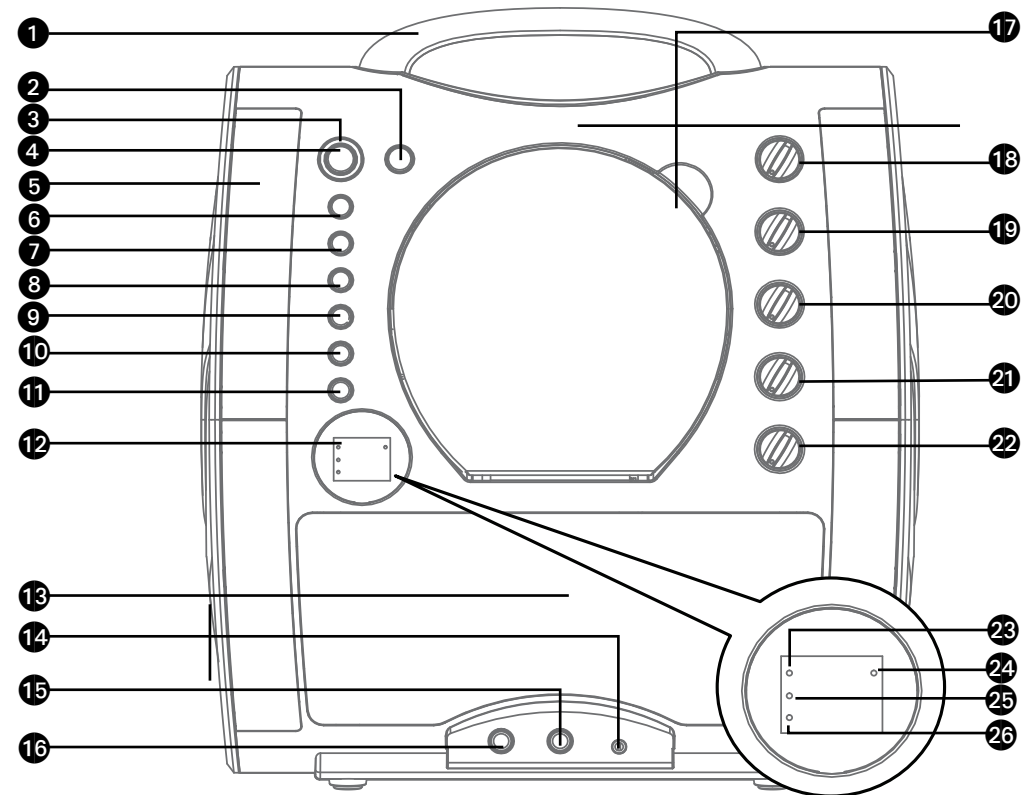


Kit de bienvenida



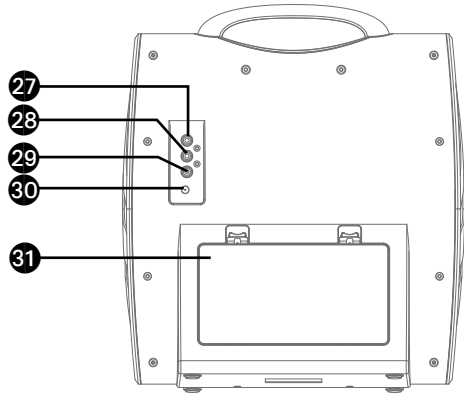
Cables de Audio/Video

Ubicación de controles (Delantero)



- | | | |
|--|---|---|
| 1. Manija | REPETIR (PROGRAM/REPEAT) | VOLUME) |
| 2. Botón Luz de disco (Disco Light) | 11. Botón de FUNCIÓN (FUNCTION) | 19. Control de ECO (ECHO) |
| 3. Indicador de ENCENDIDO/ESPERA (ON/STANDBY) | 12. Pantalla | 20. Control de voz automático (Auto Voice) |
| 4. Botón de ENCENDIDO/ESPERA (ON/STANDBY) | 13. Altavoz | 21. Control de BALANCE |
| 5. Luces de disco | 14. Conector de ENTRADA AUXILIAR (AUX IN) | 22. Control de VOLUMEN DEL MICRÓFONO (MIC VOLUME) |
| 6. Botón REPRODUCIR/PAUSAR/SINCRONIZAR (PLAY/PAUSE/PAIR) | 15. Conector para MICRÓFONO 2 (MIC 2) | 23. Indicador CDG |
| 7. Botón DETENER (STOP) | 16. Conector para MICRÓFONO 1 (MIC 1) | 24. Indicador de PROGRAMA (PROGRAM) |
| 8. SALTO (SKIP) ►► | 17. Tapa del CD | 25. Indicador de REPRODUCIR/PAUSAR (PLAY/PAUSE) |
| 9. Botón SALTO ◄◄ (SKIP) | 18. Control de VOLUMEN PRINCIPAL (MASTER | 26. Indicador de REPETIR (REPEAT) |
| 10. Botón PROGRAMAR/ | | |

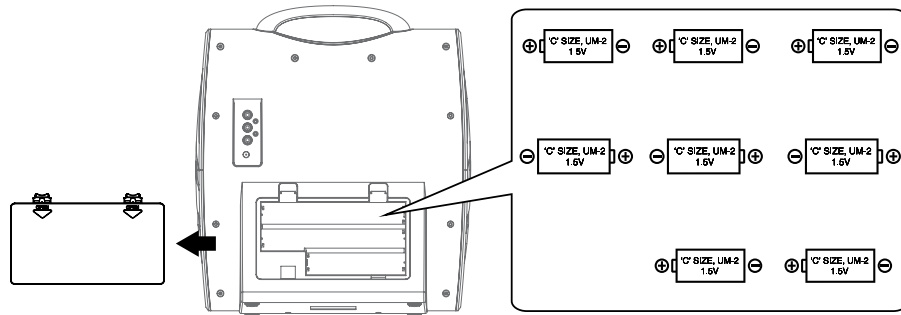
Ubicación de los controles (reverso)



- 27. Conector de SALIDA DE VIDEO (VIDEO OUT)
- 28. SALIDA AUXILIAR (AUX OUT) derecha (R)
- 29. SALIDA AUXILIAR (AUX OUT) izquierda (L)
- 30. Conector de entrada de CC
- 31. Compartimiento para pilas

CONEXION

INSTALACIÓN DE LAS PILAS



FUNCIONAMIENTO DE CC

1. Deslice la tapa de la pila en la dirección de las flechas para exponer el compartimiento para pilas. Inserte ocho (8) pilas alcalinas tamaño "C" (no incluidas) como lo indica el diagrama.
2. Reemplace la cubierta firmemente antes de operar.

PRECAUCIONES:

- Reemplace todas las pilas al mismo tiempo.
- No mezcle pilas viejas y nuevas.

Precauciones sobre las pilas

Se seguirán las precauciones a continuación cuando se utilicen pilas en este dispositivo:

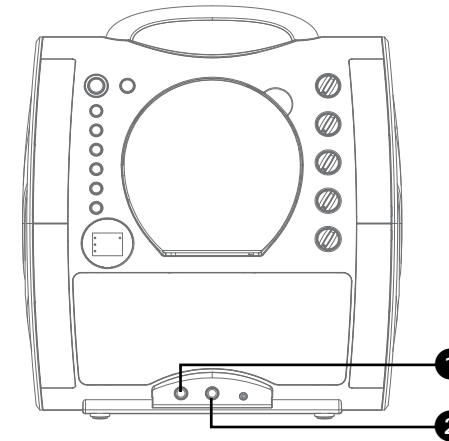
1. Utilice sólo el tamaño y tipo de pilas especificadas.
2. Asegúrese de respetar la polaridad correcta cuando instale las pilas, según lo indicado en el compartimiento de las pilas. Las pilas al revés pueden provocar daños al dispositivo.
3. No mezcle diferentes tipos de pilas (por ejemplo, alcalinas y de zinc-carbono) o pilas viejas con pilas nuevas.
4. Si no va a usarse el dispositivo durante un período prolongado, asegúrese de quitar las pilas para prevenir daños o lesiones a causa de

posibles pérdidas de las pilas.

5. No intente recargar pilas que no fueron diseñadas para ese fin; pueden recalentarse y romperse (Siga las indicaciones del fabricante de la pila).
6. Las pilas recargables se deben quitar del producto antes de la carga.
7. Las pilas recargables solo se pueden cargar bajo supervisión de un adulto.
8. Las pilas sin carga se deben quitar del producto.
9. La pila no deberá exponerse a calor excesivo como luz solar, fuego o fuentes similares.

CONEXION

Conexión de micrófono(s)

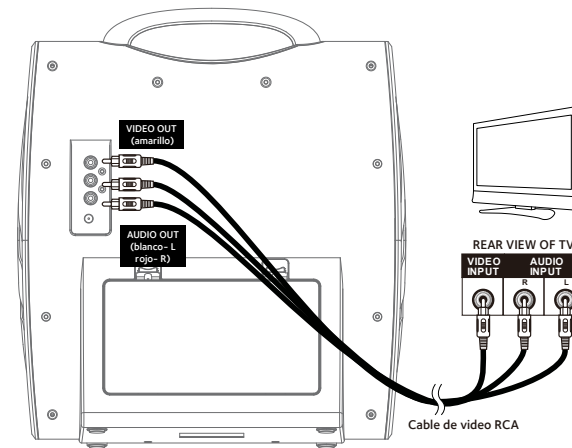


Micrófonos:

Inserte el enchufe de un micrófono en la entrada para micrófono 1 u y el otro enchufe de micrófono en la entrada para micrófono v (si lo desea).

Nota: No arroje o dé golpecitos al micrófono, puede dañar el micrófono o los parlantes. No gire el micrófono por el cable porque causará daños en el cableado revestido.

Conexión de la unidad a un televisor



Para que se reproduzca el video, las letras y el audio en su televisor, siga los siguientes pasos:

Conecte el cable de video RCA (amarillo) a la SALIDA DE VIDEO (VIDEO OUT) y los cables de audio (blanco y rojo) a las SALIDAS DE AUDIO (AUDIO OUT) ubicadas en la parte trasera de la Singing Machine.

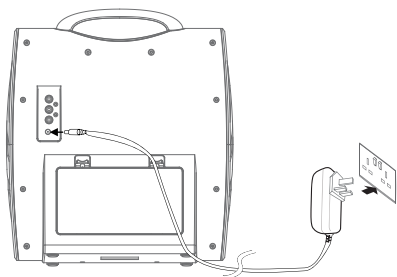
Conecte el otro extremo del cable de video RCA (amarillo) a la ENTRADA DE VIDEO (VIDEO IN) y los cables de audio (blanco y rojo) a la ENTRADA DE AUDIO (AUDIO IN) de su televisor.

Notas:

- Esta unidad puede utilizarse con o sin televisor, pero es altamente recomendable usar uno para aprovechar todas las funciones.
- También consulte la Guía de usuario del televisor.
- Para ver las letras de canciones en la pantalla, debe usar un disco CD+G.

Conexió

Conexión a alimentación de corriente alterna

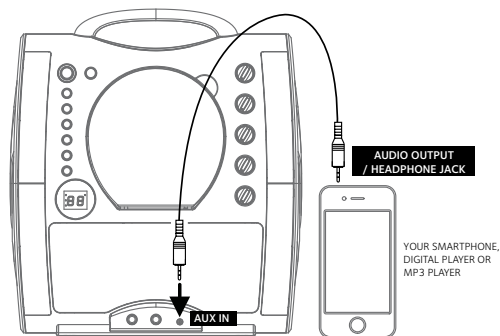


Introduzca el cable de alimentación de CA en un tomacorriente de CA con 100-240 V de CA, 50/60 Hz.

Nota:

Haga todas las conexiones antes de enchufar a la alimentación de CA.

Conexión a entrada de Aux

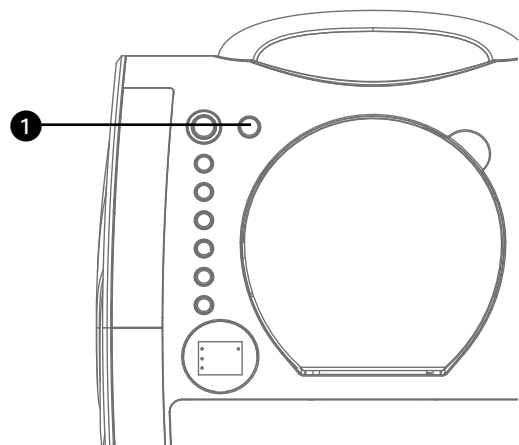


Conecte su dispositivo externo utilizando un cable adecuado (no se incluye el cable de audio de 3,5mm) como se muestra.

Nota:

Consulte la página 13 para seleccionar y utilizar la función de entrada de AUX.

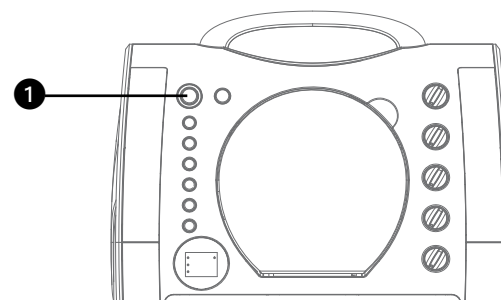
Luces de disco



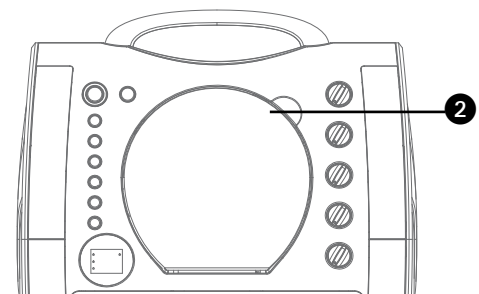
- 1 Oprima el botón **LUZ DISCO** para encender el efecto de luz, oprímalo nuevamente para apagarlo.

Funcionamiento

Reproducción de un CDG



- 1 Conecte la unidad como se describió antes; si utiliza CD+G, se recomienda que conecte un televisor (consulte la página xx). Oprima el botón de **ENCENDIDO/ ESPERA (ON/STANDBY)** para encender la unidad.



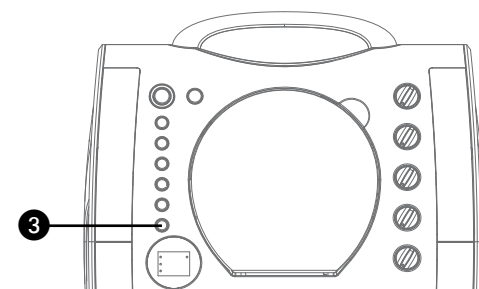
- 2 Abra el compartimiento de CD e introduzca un CD o un CD+G presionándolo cuidadosamente en el husillo central. Cierre la tapa del CD.

Notas:

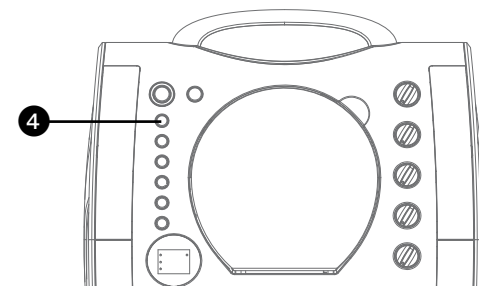
• ¿Qué es un CD+G?

Un CD+G (CD+ Graphics), es el formato estándar para la mayoría de los discos de karaoke que mostrarán las letras de canciones en pantalla.

- Nunca coloque nada que no sea un CD en el compartimiento, como por ejemplo objetos extraños que puedan dañar la unidad.
- Si no introdujo un disco, "No" aparecerá en
- Si se conecta a un televisor u otra fuente de audio, ajuste el volumen del televisor con su propio control de volumen.



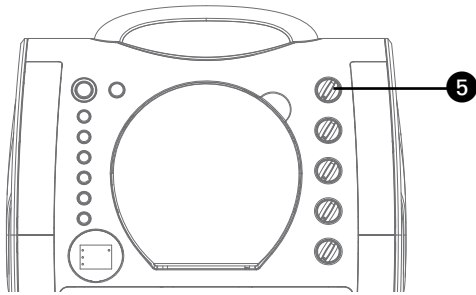
- 3 Presione varias veces el botón **Función** para seleccionar el modo CDG; aparecerá "--" cuando busque el disco. Luego, aparecerá la cantidad total de pistas. Cuando se introduce un disco CDG, la luz indicadora de CDG se iluminará.



- 4 Presione **Reproducir/Pausar (Play/Pause)** para comenzar la reproducción; si está escuchando un archivo CD+G, en la pantalla del televisor aparecerá la imagen y la letra (si está conectado) y se encenderá la luz indicadora de **REPRODUCIR/PAUSAR (PLAY/PAUSE)**.

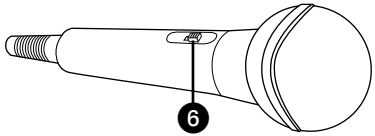
Funcionamiento

Reproducción de un CDG (Continuó)



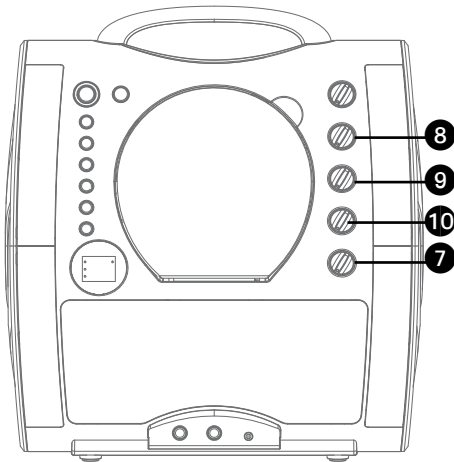
5 Ajuste el volumen a un nivel conveniente, usando el control de **VOLUMEN PRINCIPAL**.

6 Conecte el/los micrófono/s como se muestra en la página 5. Ubique el interruptor de **ENCENDIDO/ESPERA (ON/STANDBY)** del Control remoto/ Micrófono en la posición de ENCENDIDO (ON).



7 Ajuste el control de **VOLUMEN DEL MICRÓFONO (MIC VOLUME)** hasta el nivel deseado. Al aumentar el nivel de este control se incrementará el volumen de los dos micrófonos.

8 Gire el control de **ECO (ECHO)** para darle un efecto de eco a su voz. Gire hacia MAX para aumentar el efecto de eco.



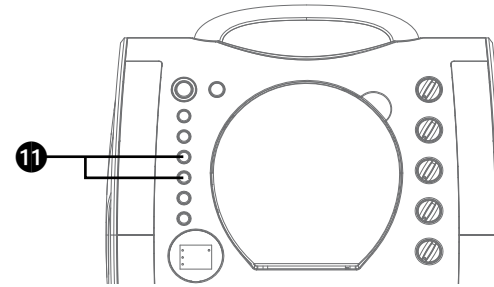
9 Puede activarse el control de **VOZ AUTOMÁTICO (AUTO VOICE CONTROL)** girando este control. Cuanto más alto se ajuste este control, más se silenciarán las voces de la grabación multiplex cuando el cantante comience a cantar ante el micrófono. Cuando el cantante deje de cantar, las voces grabadas en la grabación multiplex volverán a la normalidad.

10 Gire el control **BALANCE** hacia la derecha para escuchar la música y las voces grabadas en una grabación multiplex o hacia la izquierda para escuchar solamente la música en una grabación multiplex.

Nota: Para usar el control **BALANCE**, debe utilizarse un disco CD+G, de lo contrario funcionará como un control de balance estándar.

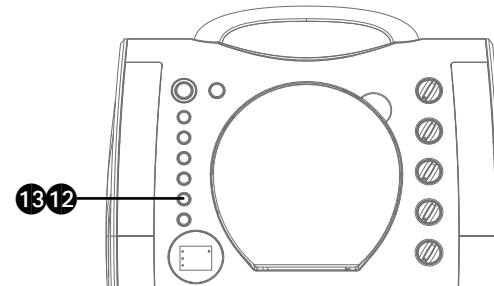
Funcionamiento

Reproducción de un CDG (Continuó)



11 **SALTO:** Avance o retroceda una pista oprimiendo los **botones de Salto** **⏮/⏭**.

12 **FUNCIÓN REPETIR:** Durante la reproducción, presione **Repetir/Programar (Repeat/Program)** una vez para que se reproduzca varias veces la canción seleccionada; el indicador Repetir (Repeat) parpadeará. Presione el botón **Repetir/Programar (Repeat/Program)** una segunda vez para que se reproduzca varias veces el CD completo; el indicador Repetir (Repeat) quedará encendido y fijo. Presiónelo nuevamente para cancelar la función Repetir, el indicador **Repetir** se apaga.



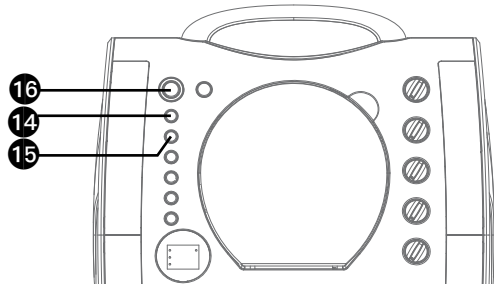
13 **PROGRAMAR:** Puede programar hasta 20 pistas de cualquier disco para reproducir en el orden deseado. Mientras se encuentre en el modo Detener (Stop), presione **REPETIR/PROGRAMAR (REPEAT/PROGRAM)**; el indicador Programar (Program) parpadeará y aparecerá "00". Seleccione la primera pista con los botones **Salto hacia atrás/adelante** **⏮/⏭**. Presione **REPETIR/PROGRAMAR (REPEAT/PROGRAM)** nuevamente para confirmar la entrada. Después de seleccionar las pistas deseadas, la pantalla mostrará 01, 02, etc. reconociendo que las pistas seleccionadas se han programado y el indicador de programa se iluminará con luz roja fija. Repita hasta agregar un máximo de 20 pistas a la memoria. Al finalizar, presione el botón **Reproducir/Pausar (Play/Pause)** para comenzar la reproducción.

Nota:

- Oprima **DOS VECES Detener** para detener y eliminar el programa.

Funcionamiento

Reproducción de un CDG (Continuó)



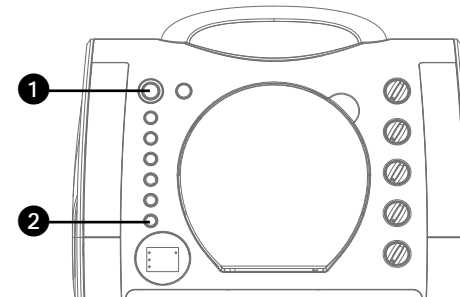
14 PAUSAR (PAUSE): Durante la reproducción, si desea pausar momentáneamente el disco, oprima **Reproducir/ Pausar (Play/ Pause)**; el indicador REPRODUCIR/ PAUSAR (PLAY/PAUSE) parpadeará. Oprima nuevamente para reanudar la reproducción normal.

15 Oprima **Detener ■** para detener la reproducción.

16 Oprima **ENCENDIDO/ESPERA (ON/STANDBY)** para apagar la unidad.

Funcionamiento

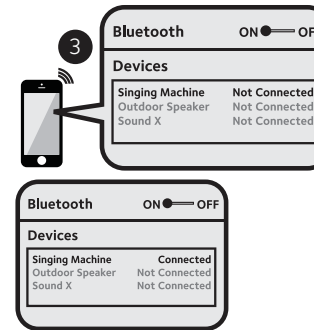
Utilizar un dispositivo Bluetooth



1 Conecte la unidad como se describió previamente. Oprima **ENCENDIDO/ESPERA (ON/STANDBY)** para encender la unidad.

2 Oprima varias veces **Función** para seleccionar Bluetooth; "bt" parpadeará en la pantalla mientras la unidad busca automáticamente y empareja un dispositivo Bluetooth previamente emparejado (si ya se realizó esta acción antes). Si no hay dispositivos previamente emparejados, realice la conexión como se muestra en el siguiente paso.

Nota: También puede oprimir **Reproducir/ Pausar / Sincronizar** para desconectar los dispositivos emparejados y sincronizar uno nuevo.



3 Encienda la opción Bluetooth en su dispositivo, desde el menú de configuración para buscar un dispositivo reconocible con señal Bluetooth. Seleccione **"Singing Machine"** en los resultados del dispositivo en el menú de Bluetooth.

Nota: : También consulte el manual de usuario de su dispositivo con Bluetooth para más instrucciones.

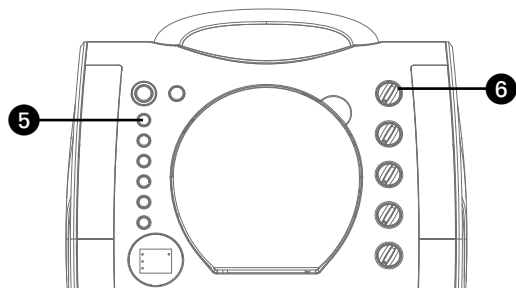
4 "bt" se iluminará en la pantalla y quedará fijo. El indicador de Bluetooth se encenderá y se oír un sonido que indicará sincronización exitosa.

Notas:

- Si su dispositivo con Bluetooth le pide un código durante el proceso de sincronización, ingrese "0000" para conectarse.
- En algunos dispositivos con Bluetooth, una vez finalizado la sincronización, elija su dispositivo con Bluetooth como "Usar como dispositivo de audio" o similar.
- Si la conexión se pierde luego de una sincronización exitosa, verifique que la distancia entre el altavoz y el dispositivo con Bluetooth no supera los 30 pies/10 metros.
- No aparecerá nada en el televisor conectado cuando utilice el modo Bluetooth.

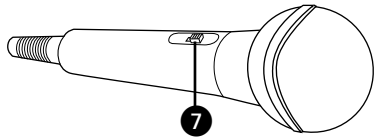
Funcionamiento

Utilizar un dispositivo Bluetooth (Continuó)

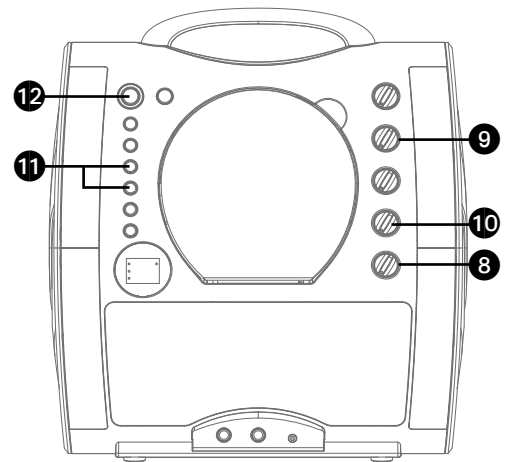


5 Para controlar su dispositivo Bluetooth desde esta unidad, oprima **Reproducir/Pausar (Play/Pause)** para comenzar la reproducción. Presione **Reproducir/Pausar (Play/Pause)** durante la reproducción para pausar la canción.

6 Ajuste el volumen a un nivel conveniente usando el control de **VOLUMEN PRINCIPAL (MASTER VOLUME)** de esta unidad, así como también el Volumen de su dispositivo Bluetooth.



7 Conecte el/los micrófono/s como se muestra en la página X. Ubique el interruptor de **ENCENDIDO/ESPERA (ON/STANDBY)** del Control remoto/Micrófono en la posición de ENCENDIDO (ON).



8 Ajuste el control de **VOLUMEN DEL MICRÓFONO (MIC VOLUME)** hasta el nivel deseado. Al aumentar el nivel de este control se incrementará el volumen de los dos micrófonos.

9 Gire el control de **ECO (ECHO)** para darle un efecto de eco a su voz. Gire hacia MAX para aumentar el efecto de eco.

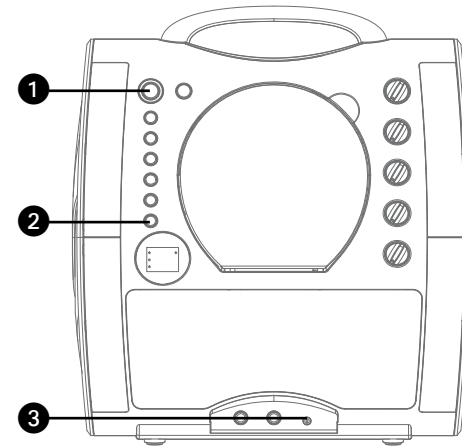
10 Para regular el balance entre los altavoces, utilice el control **BALANCE**.

11 **SALTO:** Avance o retroceda una pista oprimiendo los botones de Salto **⏮/⏭**.

12 Oprima **ENCENDIDO/ESPERA (ON/STANDBY)** para apagar la unidad.

Funcionamiento

Uso del conector de ENTRADA AUX



1 Conecte la unidad como se describió antes (consulte la página 6). Oprima el botón de **ENCENDIDO/ESPERA (ON/STANDBY)** para encender la unidad.

2 Oprima el botón **FUNCIÓN (FUNCTION)** varias veces para seleccionar el modo ENTRADA AUXILIAR (AUX IN); aparecerá "AUXILIAR" (AU) en la pantalla.

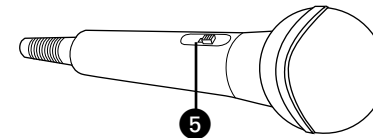
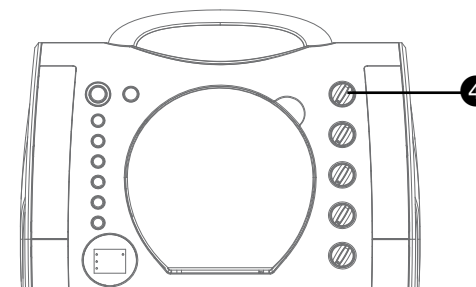
3 Conecte la unidad externa al conector de ENTRADA AUX en la parte trasera de esta unidad. La conexión a una unidad externa permitirá reproducir audio a través de su Singing Machine.

Notas:

- Se recomienda que configure el volumen en la unidad auxiliar a 1/3 o menos para evitar distorsiones.
- No es posible saltar archivos o pistas cuando se usa un dispositivo externo.

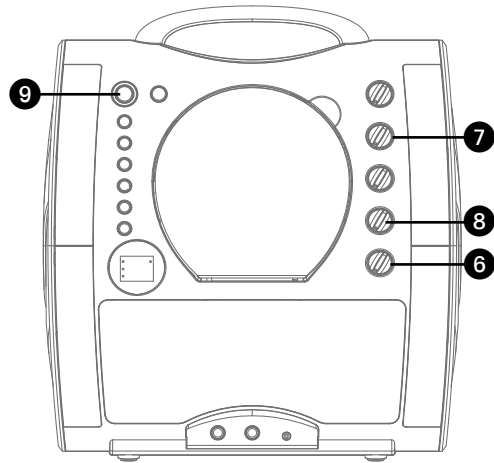
4 Ajuste el volumen con el control de **VOLUMEN PRINCIPAL (MASTER VOLUME)** de esta unidad o con el control de volumen del dispositivo externo.

5 Conecte el/los micrófono/s como se muestra en la página X. Ubique el interruptor de **ENCENDIDO/ESPERA (ON/STANDBY)** del Control remoto/Micrófono en la posición de ENCENDIDO (ON).



Funcionamiento

Uso del conector de ENTRADA AUX (Continuó)



6 Ajuste el control de **VOLUMEN DEL MICRÓFONO (MIC VOLUME)** hasta el nivel deseado. Al aumentar el nivel de este control se incrementará el volumen de los dos micrófonos.

7 Gire el control de **ECO (ECHO)** para darle un efecto de eco a su voz. Gire hacia MAX para aumentar el efecto de eco.

8 Para regular el balance entre los altavoces, utilice el control **BALANCE**.

9 Oprima **ENCENDIDO/ESPERA (ON/STANDBY)** para apagar la unidad.

Ahorro de energía

(Sistema de apagado automático- APS)

El modo Espera de la unidad se activará automáticamente después de permanecer 15 minutos en una de las siguientes situaciones:

1. No hay CD en el compartimento o se ha detenido la reproducción del CD;
2. La reproducción del reproductor de música externo se ha detenido pero el cable de audio
3. La reproducción de Bluetooth se ha detenido.

Esta unidad se puede volver a encender oprimiendo una vez el botón **ENCENDIDO/ESPERA (ON/STANDBY)**. APS es para ahorro de energía.

Guía de Resolución de Problemas

Si esta unidad presentara un problema, lea el siguiente cuadro antes de llamar al servicio técnico:

No hay energía

- La unidad no está encendida; oprima **ENCENDIDO/ESPERA (ON/STANDBY)** para encenderla.
- Verifique que el adaptador de CA esté conectado de forma segura en la parte trasera de la unidad.
- Conecte la unidad a otro tomacorriente.

No hay sonido (General)

- Volumen principal (Master Volume) está en mínimo: suba el volumen.
- No se seleccionó la Función correcta, seleccione con el botón **Función**.
- Si utiliza un dispositivo externo, suba el volumen.

No hay sonido – si está conectado a un televisor

El volumen del televisor está silenciado o demasiado bajo.

- No se seleccionó la fuente correcta (generalmente AV) en el menú del televisor.

La letra de la canción no aparece en la pantalla

- Si está conectado a un televisor externo, no se conectó correctamente el enchufe amarillo de video; consulte la página 5.
- Si está conectado a un televisor externo, no se seleccionó la fuente correcta (generalmente AV) en el menú del televisor.
- El archivo o pista que se reproduce no es una grabación de pista con letra. Estos son los únicos archivos que le permiten ver las letras de las canciones en la pantalla del televisor.
- No aparecerá nada en la pantalla del televisor cuando utilice Entrada AUX o Bluetooth.

No hay sonido desde el micrófono

- Asegúrese de que está firmemente conectado a la entrada para el MICRÓFONO 1 o 2.
- Asegúrese de que el interruptor de **ENCENDIDO/ESPERA (ON/STANDBY)** del micrófono se encuentre en la posición ENCENDIDO (ON).
- Asegúrese de que el control de **VOLUMEN DEL MICRÓFONO (MIC VOLUME)** no esté en su configuración más baja.
- El **VOLUMEN PRINCIPAL** está fijado en mínimo: suba el volumen.
- Ajuste el control de **Eco (Echo)** pasado el punto medio en la Singing Machine.

El dispositivo Bluetooth no se puede configurar o conectar con la unidad

- No ha activado la función Bluetooth de su dispositivo; ver la página XXXX o consultar el manual de usuario del dispositivo Bluetooth.
- La unidad no está en modo de sincronización; presione el botón **Sincronizar (Pair)** para reiniciar la sincronización.

La reproducción de la música no está disponible en la unidad luego de conectar de manera exitosa el Bluetooth.

- Asegúrese de que su dispositivo Bluetooth es compatible con el perfil Bluetooth A2DP.
- El volumen del dispositivo externo con Bluetooth está bajo o en silencio; súbalo según lo deseado.

Especificaciones

AUDIO

Potencia De Salida (Max) 2 Watts (RMS)
Impedancia De Salida 8 Ohms

Reproductor De Cd

Respuesta De Frecuencia 100 Hz - 20 kHz
Proporción De Señal Y Ruido 50 Db
Cantidad de programas Programación de acceso aleatorio de 20 pasos
Sistema De Muestreo Sobremuestreo Por 8

Bluetooth

Versión Bluetooth V4.2
Distancia De Trabajo Hasta 10 Metros Medidos En Espacio Abierto

Sección de entrada auxiliar (Aux in): Entradas Para Auriculares De 3.5 Mm
Micrófono Impedancia Con Micrófono Dinámico -74 Db 600 Ohm Con 6.3 Mm

Energía DC 12V --- 1A ⊖ ⊕ (8 pilas tamaño "C") (Las pilas no están incluidas)
Dimensiones (HxWxD) 13.3 x 12.0 x 6.1 pulgadas / 36.6 x 33.6 x 18.1 cm
Peso 4.0 lbs / 1.82 kgs

Las especificaciones son las típicas. Las unidades individuales pueden variar y están sujetas a mejoras constantes sin previo aviso y sin incurrir en ningún tipo de obligación.

El número de la marca Bluetooth® y los logotipos son marcas registradas propiedad de Bluetooth SIG, Inc., y todo uso que The Singing Machine Company haga de dichas marcas es en virtud de una licencia. Otras marcas registradas y comerciales pertenecen a sus respectivos titulares.


Mises en garde




ATTENTION
RISQUE DE CHOC ÉLECTRIQUE
NE PAS OUVRIR



ATTENTION : AFIN DE RÉDUIRE LES RISQUES DE CHOCS ÉLECTRIQUES, NE PAS OUVRIR LES COUVERCLES (OU L'ARRIÈRE). AUCUNE PIÈCE INTERNE RÉPARABLE PAR L'UTILISATEUR. VEUILLEZ VOUS ADRESSER AU PERSONNEL QUALIFIÉ POUR TOUTE RÉPARATION. Le repère de mise en garde est situé sur le panneau inférieur.



TENSION DANGEREUSE : L'éclair fléché dans un triangle équilatéral, avertit l'utilisateur de la présence d'une « tension dangereuse » non isolée à l'intérieur de l'appareil et d'une valeur suffisante pour constituer un risque d'électrocution.



ATTENTION : Le point d'exclamation contenu dans un triangle équilatéral, avertit l'utilisateur de la présence, dans la documentation qui accompagne l'appareil, de consignes d'utilisation et de maintenance importantes.

ATTENTION AUX ÉCLABOUSSURES : Cet appareil doit être gardé à l'abri des gouttes ou des éclaboussures d'eau ; ne posez jamais un objet contenant de l'eau sur cet appareil, par exemple un vase.

ATTENTION À LA BONNE VENTILATION : Pour une utilisation conforme, il ne faut pas empêcher une ventilation normale du produit.

Avertissement : Tout changement ou modification apporté à cet appareil sans l'approbation expresse de la partie responsable de sa conformité risque d'annuler le droit de l'utilisateur à se servir de cet équipement.

La prise secteur est utilisée comme dispositif de déconnexion et doit rester facilement accessible pendant l'utilisation. Pour isoler totalement cet appareil de l'alimentation secteur, il est impératif de débrancher totalement sa prise du câble d'alimentation secteur.

ATTENTION : POUR ÉVITER UN INCENDIE OU UN RISQUE D'ÉLECTROCUTION NE PAS EXPOSER CET ENSEMBLE À LA PLUIE OU À L'HUMIDITÉ.

Mises en garde :

- Ce lecteur CD utilise un rayon laser. Seul un personnel qualifié de maintenance peut ôter le couvercle ou essayer de réparer ce matériel, en raison des risques encourus pour la vision.
- L'utilisation d'éléments de commande ou d'adaptations ou encore l'exécution de procédures qui ne sont pas décrites dans ce manuel pourraient exposer à une irradiation dangereuse.
- Il convient d'utiliser cet appareil dans un endroit ouvert.

ATTENTION !

La radiation laser est visible en cas d'ouverture et de manipulation du dispositif de sécurité. Évitez toute exposition au rayon.

Symbole correspondant à un appareil de classe II.
Ce symbole figurant sur l'appareil indique une double isolation.





Ce symbole qui apparaît sur le produit ou dans les instructions signifie que votre appareil électrique ou électronique, lorsqu'il ne fonctionne plus, doit être jeté séparément de vos déchets ménagers. Il existe aujourd'hui des systèmes de collecte et de recyclage distincts dans l'UE. Pour plus d'informations, veuillez contacter vos autorités locales ou le revendeur où le produit a été acheté.

Sous l'influence du phénomène électrostatique, ce produit est susceptible de mal fonctionner et peut nécessiter un redémarrage.

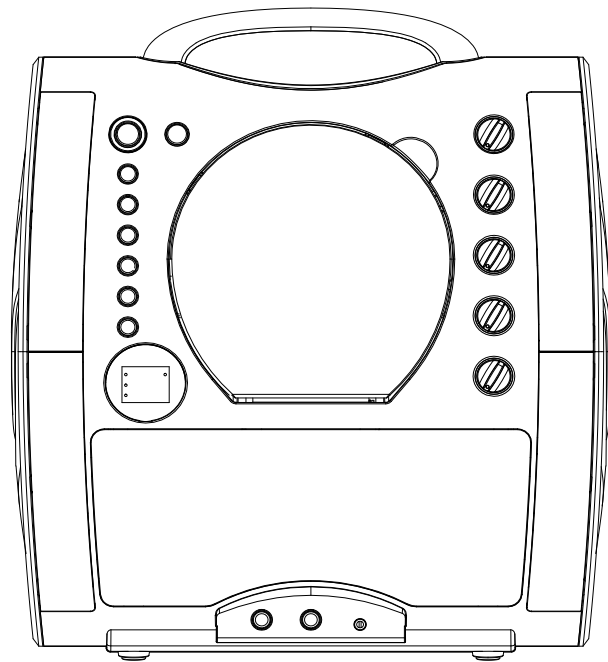
Informations importantes sur la sécurité

1. Lisez ces instructions.
2. Conservez ces instructions.
3. Tenez compte de tous les avertissements.
4. Suivez toutes les instructions.
5. N'utilisez pas cet appareil à proximité de l'eau.
6. Nettoyez seulement avec un chiffon sec.
7. Ne bloquez aucune des ouvertures de ventilation. Installez conformément aux instructions du fabricant.
8. Ne pas installer à proximité d'une source de chaleur telle qu'un radiateur, une bouche de chaleur, un poêle ou d'autres appareils (dont les amplificateurs) produisant de la chaleur.
9. Ne retirez en aucun cas le dispositif de sécurité de la fiche polarisée ou de la fiche de terre. Une prise polarisée est composée de deux fiches dont l'une est plus large que l'autre. Une fiche de terre comporte deux lames et une troisième broche de mise à la terre. La grande broche ou la troisième broche sont fournies pour votre sécurité. Si la fiche fournie ne s'adapte pas à la prise électrique, demander à un électricien de remplacer la prise hors normes.
10. Placez le cordon d'alimentation de sorte qu'il ne soit ni piétiné ni comprimé, en particulier au niveau de la fiche de connexion, de la prise de courant et du point de sortie de l'appareil.
11. Utilisez uniquement les fixations/accessoires spécifiés par le fabricant.
12. Utilisez uniquement le chariot, le pied, le trépied, le support ou la table recommandé par le fabricant ou fourni avec l'appareil.
13. Débranchez cet appareil pendant les orages ou au cours des longues périodes de non utilisation.
14. Veuillez vous adresser au personnel qualifié pour toute réparation. Des réparations sont nécessaires si l'appareil est endommagé d'une façon quelconque, par exemple : cordon ou prise d'alimentation endommagé, liquide renversé ou objet tombé à l'intérieur de l'appareil, exposition de l'appareil à la pluie ou à l'humidité, appareil qui ne marche pas normalement ou que l'on a fait tomber.
15. ATTENTION : Pour réduire les risques d'incendie ou de choc électrique, ne pas exposer cet appareil à la pluie ou à l'humidité. Ne placez pas d'objets remplis d'eau tels qu'un vase sur l'appareil.
16. La prise secteur CA est utilisée comme dispositif de déconnexion et doit rester facilement accessible et manipulable pendant l'utilisation. Afin de déconnecter complètement l'appareil du courant, la fiche secteur doit être entièrement retirée de la prise électrique CA.
17. ATTENTION : Pour réduire le risque d'incendie ou d'explosion, ne pas exposer les piles à une chaleur excessive telle que les rayons du soleil, le feu ou une autre source de chaleur.

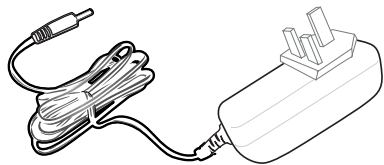


Contenu

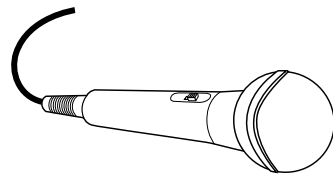
Qu'y a-t-il dans la boîte.



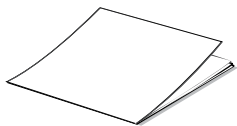
Module principal



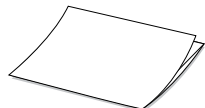
Adaptateur secteur



Microphone filaire



Manuel d'utilisation

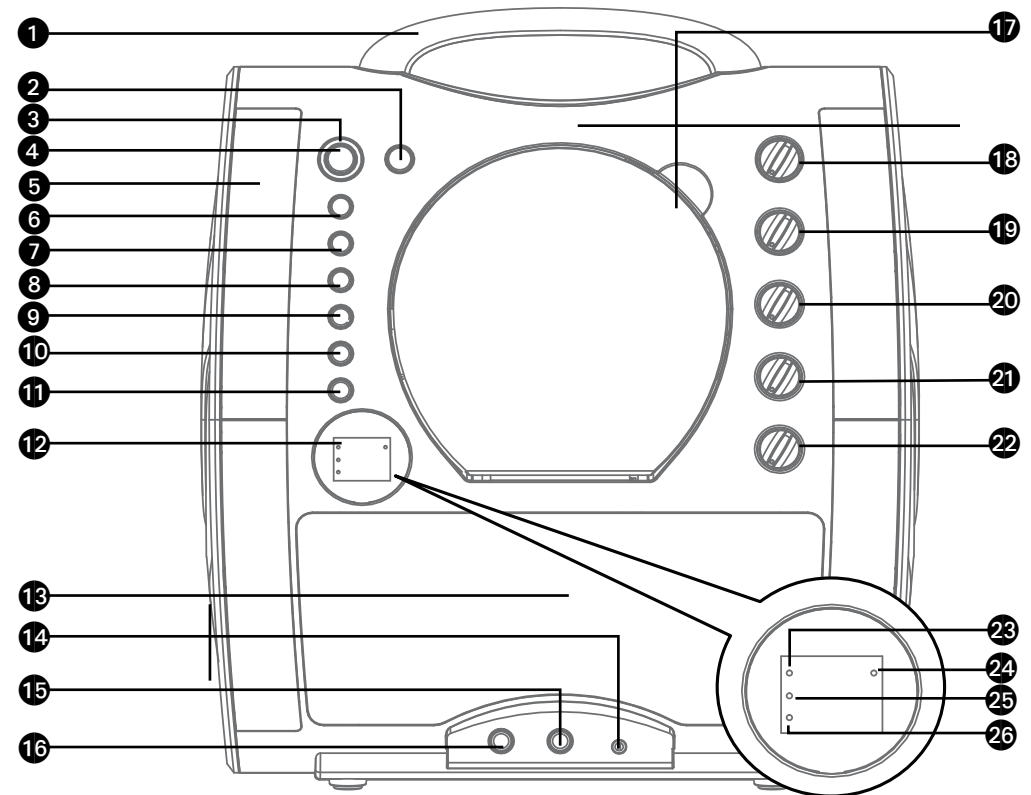


Ensemble de bienvenue



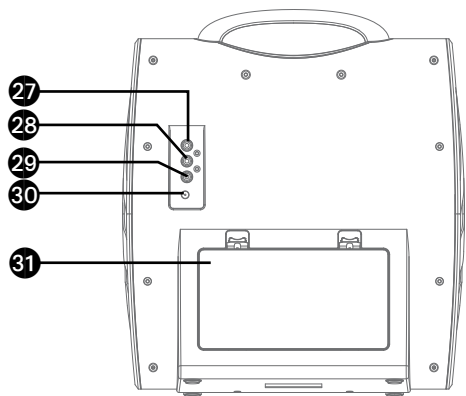
Câbles audio/vidéo

Position des commandes (face avant)



- | | | |
|---|--|--|
| 1. Poignée | 11. Bouton FUNCTION (Fonction) | 21. Commande BALANCE (Équilibrage) |
| 2. Bouton éclairage disco | 12. Affichage | 22. Commande MIC VOLUME (Volume du microphone) |
| 3. Voyant ON/STANDBY (Allumé/en veille) | 13. Haut-parleur | 23. Voyant CDG |
| 4. Bouton ON/STANDBY -Allumé/en veille) | 14. Jack AUX IN | 24. Voyant PLAY/PAUSE (Lecture/pause) |
| 5. Éclairages disco | 15. Jack MIC 2 | 25. Voyant PROGRAM (Programme) |
| 6. Bouton PLAY/PAUSE/PAIR (Lecture/pause/appariement) | 16. Jack MIC 1 | 26. Voyant REPEAT (répéter) |
| 7. Bouton STOP | 17. Porte du compartiment à CD | |
| 8. Bouton SKIP ►► (passer) | 18. Commande MASTER VOLUME (Volume principal) | |
| 9. Bouton SKIP ◄◄ (passer) | 19. Commande d'ÉCHO | |
| 10. Bouton PROGRAM/REPEAT (Programmer/répéter) | 20. Auto Voice Control (Contrôle automatique de la voix) | |

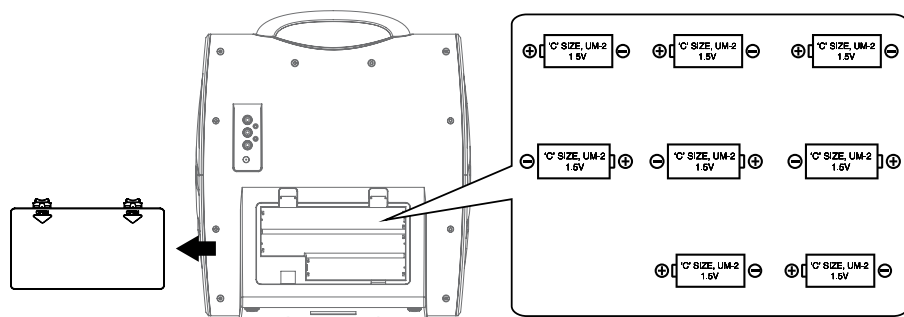
Position des commandes (Arrière)



- 27. Jack VIDEO OUT (Sortie vidéo)
- 28. Jack AUX OUT (R) (Sortie AUX (D))
- 29. Jack AUX OUT (L) (Sortie AUX (G))
- 30. Jack DC In
- 31. Couvercle du compartiment à piles

Connexion

Installation des piles



Fonctionnement sur CC

1. Poussez la porte du compartiment à piles dans le sens des flèches afin d'ouvrir le compartiment à piles. Insérez huit (8) piles alcalines de type "C" (Non comprises) tel que c'est indiqué sur le diagramme.
2. Replacez fermement le couvercle avant de mettre en marche.

PRÉCAUTIONS :

- Remplacez toutes les piles en même temps
- Ne mélangez pas des piles neuves et des piles usées.

Précautions spécifiques à l'utilisation avec des piles

Les précautions ci-dessous doivent être respectées lorsque vous utilisez cet appareil avec des piles.

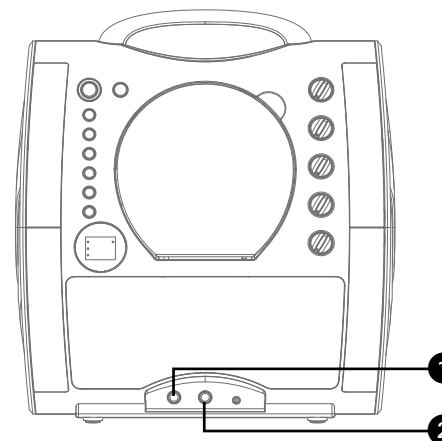
1. Utilisez uniquement la taille et le type de piles spécifiées.
2. Assurez-vous de respecter la bonne polarité lorsque vous installez les piles tel que cela est indiqué dans le compartiment à piles. Une pile positionnée à l'envers risque d'endommager l'appareil.
3. Ne mélangez pas différents types de piles (p. Ex. alcalines et carbone zinc) ou des piles usées avec des piles neuves.
4. Si l'appareil ne doit pas être utilisé pour une période de temps prolongée, enlevez les piles pour empêcher tout dommage ou tout risque de

blessure dû à une fuite possible des piles.

5. N'essayez pas de recharger des piles qui ne sont pas rechargeables ; elles pourraient surchauffer et se détériorer. (suivez les instructions du fabricant des piles).
6. Les piles rechargeables doivent être retirées de l'appareil avant d'être chargées.
7. Les piles rechargeables doivent uniquement être rechargées sous la surveillance d'un adulte.
8. Les piles usées doivent être retirées de l'appareil.
9. Les piles ne doivent pas être exposées à une chaleur élevée, telle que les rayons du soleil, le feu, ou autres sources de chaleur.

Connexion

Connecter le(s) microphone(s)

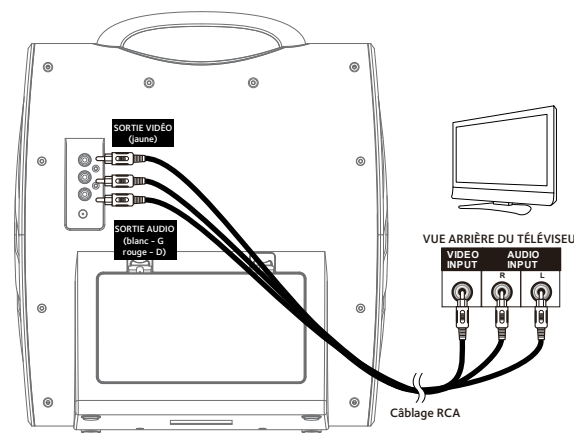


Microphones :

Connectez un microphone au jack Mic 1 ainsi qu'au jack Mic 2 (si vous le souhaitez).

Remarque : Ne faites pas tomber ou ne cognez pas le microphone car cela pourrait endommager le microphone ou les haut-parleurs. Ne faites pas tourner le microphone au niveau du cordon car cela abîme les câbles dans la gaine.

Connecter l'unité à un téléviseur



Pour lire la vidéo, les paroles et le son sur votre téléviseur, effectuez les étapes suivantes :

Connectez le câble vidéo RCA (jaune) au jack VIDEO OUT (sortie vidéo) et connectez les câbles audio (blanc et rouge) aux jacks AUDIO OUT (sortie audio) situés à l'arrière de votre Singing Machine.

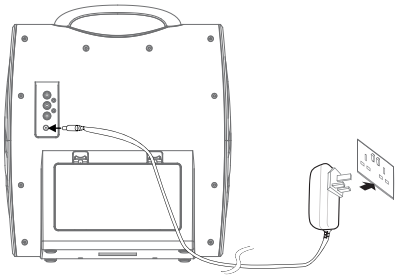
Connectez l'embout opposé du câble vidéo RCA (jaune) au jack VIDEO IN (entrée vidéo) et connectez les câbles audio (blanc et rouge) aux jacks AUDIO IN (entrée audio) situés sur votre téléviseur.

Remarques :

- Cette unité peut être utilisée avec ou sans téléviseur, mais il est fortement recommandé d'utiliser un téléviseur afin de pouvoir utiliser toutes les fonctionnalités.
- Référez-vous également au guide utilisateur du téléviseur.
- Afin d'afficher les paroles sur l'écran, vous devez utiliser un disque CD+G.

Connexion

Connexion à l'alimentation secteur

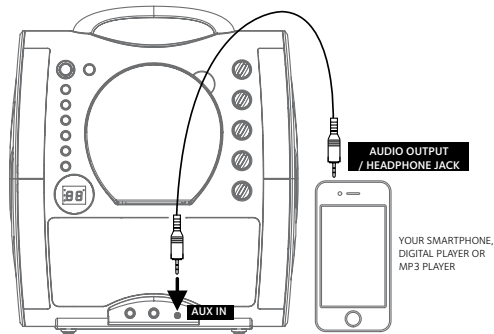


Insérez la fiche secteur dans une prise de courant CA, disposant de 100-240 V CA, 50-60 Hz.

Remarque :

Connectez tous les éléments avant de raccorder l'appareil au secteur.

Connexion au jack AUX IN

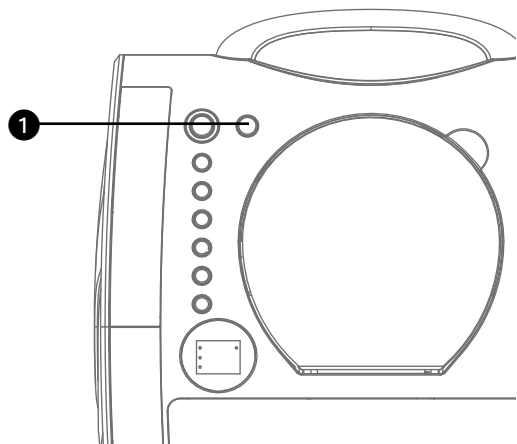


Connectez un appareil externe en utilisant un câble adapté (câble audio 3.5 mm non fourni) tel que cela est décrit.

Remarque :

Voir page F13 pour sélectionner et utiliser la fonction AUX IN.

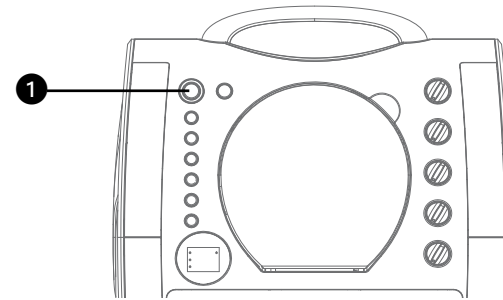
Éclairages disco



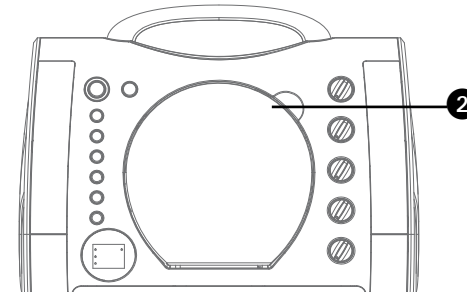
1 Appuyez sur le bouton **Disco Light** pour activer l'effet lumineux, appuyez de nouveau pour l'éteindre.

Fonctionnement

Lecture d'un CDG



1 Connectez l'appareil tel que décrit précédemment ; si vous utilisez un CD+G, il est recommandé de connecter un téléviseur (voir page F5). Appuyez sur le bouton power **ON/STANDBY** pour allumer l'appareil.

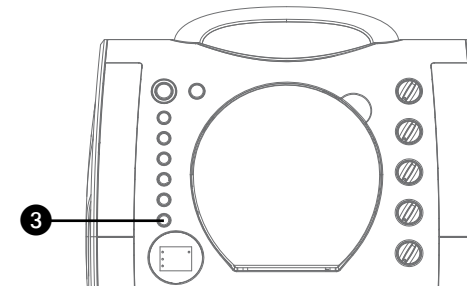


2 Ouvrez la porte de CD et insérez un CD ou un CD+G en appuyant délicatement sur l'axe central. Puis fermez la porte de CD.

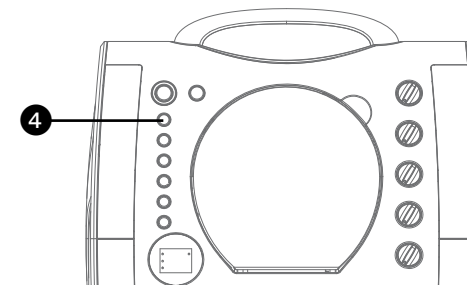
Remarque :

• Qu'est-ce qu'un CD+G?

- Un CD+G (CD+Graphics) est le format standard de la plupart des disques de karaoké qui permettent d'afficher les paroles à l'écran.
- N'insérez jamais rien d'autre qu'un CD dans le compartiment car des corps étrangers peuvent endommager l'appareil.
- Si aucun disque n'est inséré, "no" apparaîtra sur l'écran.
- Si l'appareil est connecté à un téléviseur et/ou une autre source audio, ajustez le volume de l'appareil externe en utilisant la commande de volume qui lui est dédiée.



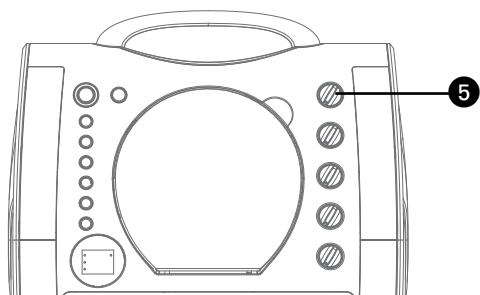
3 Appuyez plusieurs fois sur le bouton **FUNCTION** pour sélectionner le mode CDG/CD; "---" apparaît lors de la recherche du disque, puis le nombre total de pistes apparaît. Lorsqu'un disque CDG est inséré, l'indicateur CDG s'allume.



4 Appuyez sur le bouton **PLAY/PAUSE** (lecture/pause) pour démarrer la lecture ; si vous écoutez un fichier CD+G, l'image et les paroles apparaissent sur l'écran du téléviseur (si celui-ci est connecté) et le voyant LECTURE/PAUSE s'éclaire.

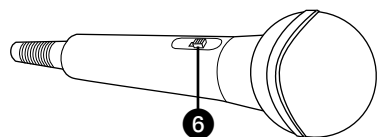
Fonctionnement

Lire un CDG (Suite)



5 Ajustez le volume à un niveau agréable en utilisant la commande **MASTER VOLUME** (Volume principal).

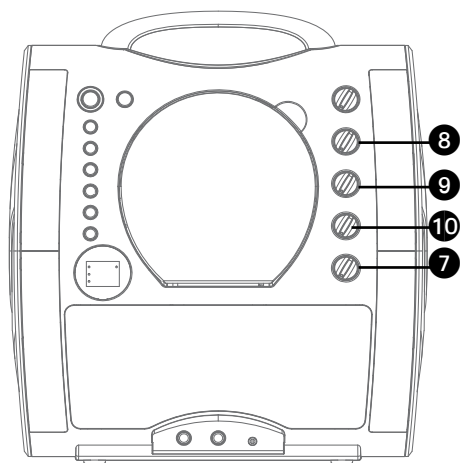
6 Connectez le(s) microphone(s) tel que c'est décrit page F5, et faites glisser le bouton **ON/OFF** du microphone en position ON.



7 Réglez la commande **MIC VOLUME** (Volume du microphone) comme vous le souhaitez. Si vous augmentez cette commande, cela augmentera le volume des deux microphones.

8 Tournez la commande **ECHO** pour ajouter un effet d'écho à votre voix. Tournez-la vers MAX pour augmenter l'effet de résonance.

9 Le contrôle automatique de la voix (AUTO VOICE CONTROL) peut être activé en tournant la commande **AVC**. Plus cette commande est en position élevée, plus les voix sur l'enregistrement multiplex seront atténuées lorsque le chanteur se met à chanter dans le microphone. Lorsque le chanteur arrête de chanter, les voix enregistrées en multiplex reviennent au niveau normal.

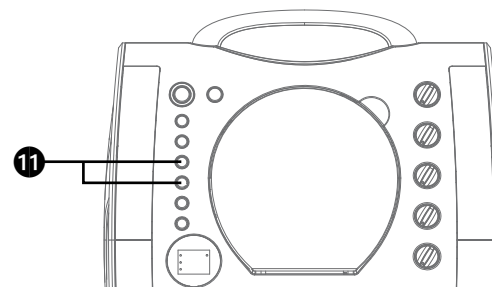


10 Tournez la commande **BALANCE** dans le sens des aiguilles d'une montre pour entendre la musique et les voix enregistrées sur un enregistrement multiplex, ou bien dans le sens inverse des aiguilles d'une montre pour entendre seulement la musique d'un enregistrement multiplex.

Remarque : Afin d'utiliser la commande **BALANCE**, il faut utiliser un disque CD+G, sinon cette commande fonctionnera comme une commande d'équilibrage standard.

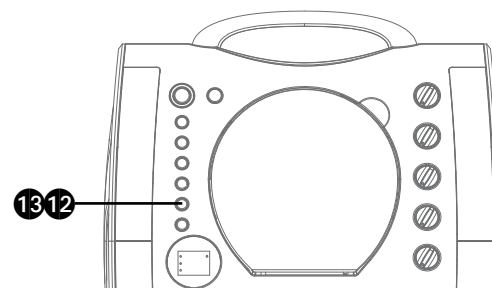
Fonctionnement

Lire un CDG (Suite)



11 **SKIP (Passer):** Avancez ou reculez d'une piste en appuyant sur les boutons **Skip** **⏮/Skip** **⏭**.

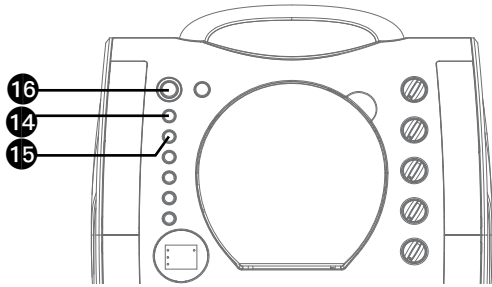
12 **REPEAT (Répéter) :** Pendant la lecture, appuyez une fois sur le bouton **PROGRAM/REPEAT** (Programmer/répéter) pour lire plusieurs fois le titre sélectionné ; le voyant REPEAT se met à clignoter. Appuyez une seconde fois sur le bouton **PROGRAM/REPEAT** (Programmer/répéter) pour lire plusieurs fois l'ensemble du CD ; le voyant REPEAT s'éclaire de façon continue. Appuyez de nouveau pour annuler la fonction « Repeat » (Répéter), le voyant REPEAT s'éteint.



13 **PROGRAM (Programme):** Vous pouvez programmer jusqu'à 20 pistes de n'importe quel disque pour les lire dans l'ordre que vous souhaitez. Lorsque l'appareil se trouve en mode Stop, appuyez sur le bouton **PROGRAM/REPEAT** (Programmer/répéter) ; le voyant PROGRAM se met à clignoter et « 00 » apparaît. Sélectionnez le premier titre en utilisant les boutons **Skip** **⏮/Skip** **⏭**. Appuyez de nouveau sur le bouton **PROGRAM/REPEAT** (Programmer/répéter) pour confirmer la saisie. Après avoir sélectionné les pistes souhaitées, l'écran indique 01, 02, etc., reconnaissant que les pistes

Fonctionnement

Lire un CDG (Suite)



sélectionnées ont été programmées et le voyant PROGRAM (programme) s'éclaire en rouge de façon continue. Répétez cette opération pour programmer jusqu'à 20 titres dans la mémoire. Lorsque vous avez terminé, appuyez sur le bouton **PLAY/PAUSE** pour lancer la lecture.

Remarque :

- Appuyez DEUX FOIS sur le bouton **STOP** pour arrêter et effacer le programme.

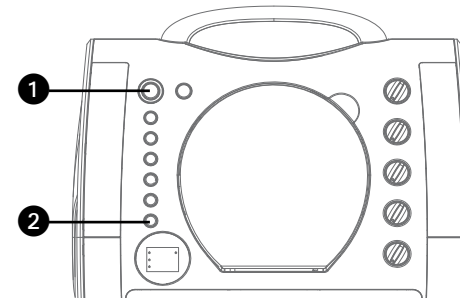
14 PAUSE : Lors de la lecture, si vous souhaitez temporairement mettre le disque en pause, appuyez sur le bouton **PLAY/PAUSE** (lecture/pause) ; le voyant PLAY/PAUSE se met à clignoter. Appuyez de nouveau pour retourner à la lecture normale.

15 Appuyez sur le bouton **STOP** pour arrêter la lecture.

16 Appuyez sur le bouton power **ON/STANDBY** pour éteindre l'appareil.

Fonctionnement

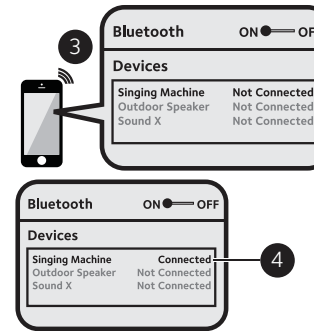
Utilisation d'un appareil Bluetooth



1 Connectez l'appareil tel que cela a été décrit précédemment. Appuyez sur le bouton power **ON/STANDBY** pour allumer l'appareil.

2 Appuyez plusieurs fois sur le bouton **FUNCTION** pour sélectionner le mode Bluetooth ; « bt » se met à clignoter à l'écran pendant que l'appareil recherche et couple automatiquement un appareil Bluetooth précédemment couplé (si celui-ci a été couplé auparavant). Si aucun appareil précédemment couplé n'est à proximité, établissez la connexion tel que cela est décrit dans l'étape suivante.

Remarque : Vous pouvez également maintenir le bouton **PLAY/PAUSE/PAIR** appuyé pour déconnecter tout appareil couplé afin de coupler un autre appareil.



3 Activez la fonction Bluetooth de votre appareil externe dans les paramètres pour chercher un appareil disponible disposant d'un signal Bluetooth. Sélectionnez « **Singing Machine** » dans la liste des résultats du menu Bluetooth de l'appareil externe.

Remarque : Référez-vous également au guide utilisateur de votre appareil Bluetooth pour des instructions détaillées.

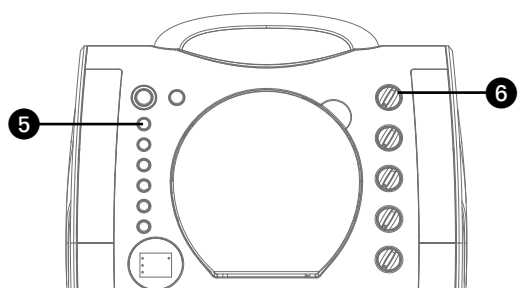
4 Le voyant « bt » s'allume de façon continue sur l'écran. Le voyant Bluetooth s'éclaire et un son de couplage réussi retentit.

Remarques :

- Si votre appareil Bluetooth vous demande un mot de passe lors du processus de couplage, veuillez saisir "0000" pour établir la connexion.
- Sur certains appareils Bluetooth, une fois que le couplage est effectué, sélectionnez votre appareil Bluetooth en mode "Utiliser comme appareil audio" ou similaire.
- Si la connexion est rompue après un couplage réussi, vérifiez que la distance entre le haut-parleur et l'appareil Bluetooth n'excède pas 30 pieds/10 mètres.
- "Bluetooth" clignote sur l'écran du téléviseur et s'arrête de clignoter une fois la connexion établie.

Fonctionnement

Utilisation d'un appareil Bluetooth (suite)



5 Afin de contrôler votre appareil Bluetooth depuis cet appareil, appuyez sur le bouton **PLAY/PAUSE** pour lancer la lecture. Appuyez sur le bouton **PLAY/PAUSE** pendant la lecture pour mettre le titre en pause.

6 Ajustez le volume à un niveau agréable en utilisant la commande **MASTER VOLUME** (volume principal) de cet appareil ainsi que la commande de volume de votre appareil Bluetooth.

7 Connectez le(s) microphone(s) tel que c'est décrit page F5, et faites glisser le bouton **ON/OFF** du microphone en position ON.

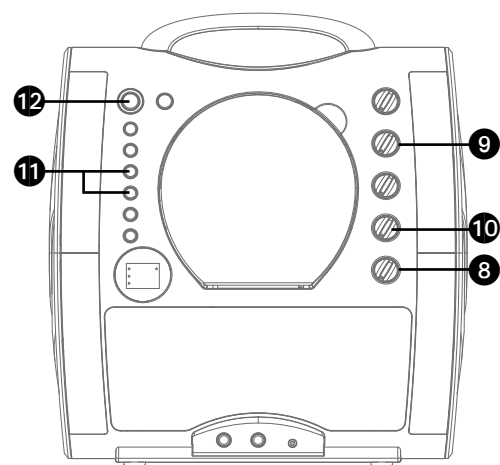
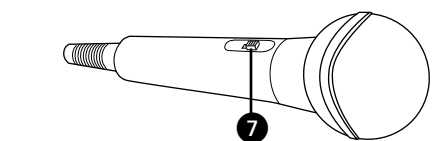
8 Réglez la commande **MIC VOLUME** (Volume du microphone) comme vous le souhaitez. Si vous augmentez cette commande, cela augmentera le volume des deux microphones.

9 Tournez la commande **ECHO** pour ajouter un effet d'écho à votre voix. Tournez-la vers MAX pour augmenter l'effet de résonance.

10 Ajustez l'équilibrage entre les haut-parleurs avec la commande **BALANCE**.

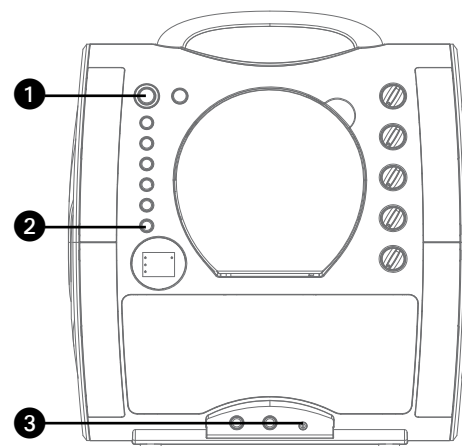
11 **SKIP (Passer)** : Avancez ou reculez d'une piste en appuyant sur les boutons **Skip** **⏪**/**Skip** **⏩**.

12 Appuyez sur le bouton power **ON/STANDBY** pour éteindre l'appareil.



Fonctionnement

Utilisation du jack AUX IN



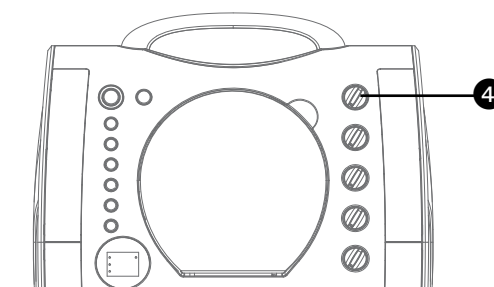
1 Connectez l'appareil tel que cela a été décrit précédemment. Appuyez sur le bouton power **ON/STANDBY** pour allumer l'appareil.

2 Appuyez plusieurs fois sur le bouton **FUNCTION** pour sélectionner le mode AUX IN mode ; « AU » apparaît à l'écran.

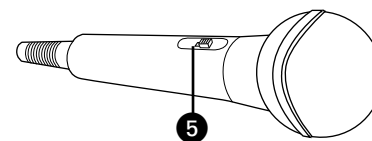
3 Connectez l'appareil externe au jack **LINE IN** situé à l'avant de cet appareil. La connexion d'un appareil externe permettra de jouer le son à travers votre Singing Machine.

Remarques :

- Il est fortement recommandé de régler le volume de l'appareil auxiliaire sur 1/3 ou plus bas pour éviter les déformations.
- Il n'est pas possible d'avancer d'un ou plusieurs fichiers/titres avec cet appareil si vous utilisez un appareil externe.



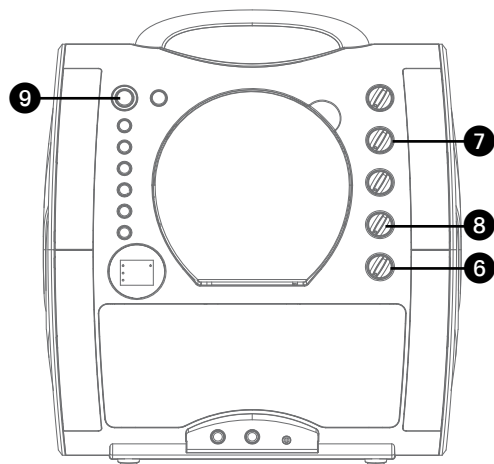
4 Ajustez le volume en utilisant la commande **MASTER VOLUME** (volume principal) de cet appareil ou bien la commande de volume de votre appareil externe.



5 Connectez le(s) microphone(s) tel que c'est expliqué à la page F5. Glissez l'interrupteur **ON/OFF** du microphone en position ON.

Fonctionnement

Utilisation du jack AUX IN (suite)



6 Réglez la commande **MIC VOLUME** (Volume du microphone) comme vous le souhaitez. Si vous augmentez cette commande, cela augmentera le volume des deux microphones.

7 Tournez la commande **ECHO** pour ajouter un effet d'écho à votre voix. Tournez-la vers MAX pour augmenter l'effet de résonance.

8 Ajustez l'équilibrage entre les haut-parleurs avec la commande **BALANCE**.

9 Appuyez sur le bouton power **ON/STANBY** pour éteindre l'appareil.

Mode économie d'énergie (Auto Power System-APS)

Cet appareil passe automatiquement en mode veille après 15 minutes dans les situations suivantes :

1. In n'y a pas de CD dans le compartiment ou bien la lecture du CD a été arrêtée ;
2. La lecture du lecteur de musique externe a été arrêtée, mais le câble audio est toujours branché au jack AUX IN.
3. La musique Bluetooth est arrêtée.

L'appareil peut être rallumé en appuyant une fois sur le bouton **ON/STANDBY**. L'APS sert à faire des économies d'énergie.

Guide de dépannage

Si vous rencontrez un problème avec cet appareil, vérifiez la liste suivante avant de demander de l'aide :

Ne s'allume pas

- L'appareil n'est pas sous tension ; appuyez sur le bouton power **ON/STANBY** pour le mettre sous tension
- Assurez-vous que la prise de courant est correctement branchée à l'arrière de l'appareil.
- Branchez l'appareil à une autre prise de courant.

Pas de son - Général

- Le volume maître est réglé au minimum ; augmentez le volume.
- La bonne fonction n'a pas été sélectionnée ; sélectionnez-la avec le bouton **FUNCTION**.
- Si vous utilisez un appareil externe, augmentez le volume.

Pas de son - Lorsque connecté à un téléviseur

- Le volume du téléviseur est sur muet ou réglé trop bas.
- La bonne source (habituellement AV) n'a pas été sélectionnée dans le menu du téléviseur.

Les paroles n'apparaissent pas sur l'écran du téléviseur

- Si l'appareil est connecté à un téléviseur, la prise vidéo n'est pas correctement connectée ; voir page F5.
- Si l'appareil est connecté à un téléviseur, sélectionnez la bonne source sur le téléviseur (habituellement AV).
- Le fichier/titre lu n'est pas un enregistrement avec paroles. Seul ce type de fichiers vous permet d'afficher les paroles sur l'écran de votre téléviseur.
- Rien n'apparaît sur votre écran de téléviseur si vous utilisez le mode AUX IN ou Bluetooth.

Le microphone n'émet pas de son

- Assurez-vous que le microphone est bien connecté au jack MIC 1 ou MIC 2.
- Assurez-vous que l'interrupteur **ON/OFF** du microphone est bien en position ON.
- Assurez-vous que le paramètre **MIC VOLUME** n'est pas réglé trop bas.
- Le volume principal (**MASTER VOLUME**) est réglé au minimum ; augmentez le volume.
- Ajustez la commande d'**Echo** au-delà de la moitié sur la Singing Machine.

L'appareil Bluetooth ne peut pas être couplé ou connecté à l'appareil

- Vous n'avez pas activé la fonction Bluetooth de votre appareil ; voir page F11 ou référez-vous au guide utilisateur de l'appareil Bluetooth.
- Le système ne se trouve pas en mode couplage ; appuyez sur le bouton **Pair** (appariement) pour relancer le couplage.

La musique n'est pas disponible sur l'appareil après avoir connecté le Bluetooth avec succès

- Assurez-vous que votre appareil Bluetooth est compatible avec le profil Bluetooth A2DP.
- Le volume de l'appareil Bluetooth externe est réglé trop bas ou muet ; augmentez le volume comme vous le souhaitez.

Spécifications

AUDIO

PUISSANCE DE SORTIE (MAXIMALE)..... 2 Watts (RMS)

IMPÉDANCE DE SORTIE..... 8 Ohms

SECTION LECTEUR DE CD

FRÉQUENCE RÉPONSE..... 100 Hz - 20 kHz

RAPPORT SIGNAL-BRUIT..... 50 dB

NOMBRE DE PROGRAMMES.....

..... Système d'échantillonnage de programmation aléatoire 20 pistes

SYSTÈME D'ÉCHANTILLONAGE..... suréchantillonnage 8 fois

BLUETOOTH

Version Bluetooth..... V4.2

Distance de fonctionnement..... jusqu'à 30 pieds/10 mètres dans un espace ouvert

SECTION AUX IN Jack de casque stéréo 3,5 mm

MICROPHONE -74 dB impédance 600 Ohm avec microphone dynamique 6,3 mm

SECTION DE PUISSANCE CC 12 V $\text{---} 1 \text{ A}$ \ominus \oplus (8 piles de type « C »)

(piles non fournies)

DIMENSIONS (HxIxP) 13,3 x 12,0 x 6,1 pouces / 36,6 x 33,6 x 18,1 cm


POIDS 4,0 onces / 1,82 kg

Les spécifications sont classiques. Les appareils individuels peuvent différer et peuvent être sujets à l'amélioration continue sans préavis et/ou engagement.


La marque et les logos Bluetooth® appartiennent à Bluetooth SIG, Inc. et La Compagnie The Singing Machine, Inc. les utilise sous licence.

Les autres marques et noms commerciaux sont ceux de leurs propriétaires respectifs.


Warnhinweise




ACHTUNG
GEFAHR EINES STROMSCHLAGES
NICHT ÖFFNEN



ACHTUNG: UM DIE GEFAHR EINES ELEKTROSCHOCKS ZU VERMINDERN, DIE ABDECKUNG (ODER RÜCKSEITE) NICHT ABNEHMEN. ES BEFINDEN SICH KEINE DURCH DEN ANWENDER ZU WARTENDEN TEILE IM INNEREN DES GERÄTS. BEAUFTRAGEN SIE IHREN ZUSTÄNDIGEN KUNDENDIENST MIT DEN RAPARATURARBEITEN. Das Sicherheitssymbol finden Sie an der Bodenplatte des Gerätes.

 **GEFÄHRLICHE ELEKTRISCHE SPANNUNG:** Das Blitzsymbol mit Pfeilspitze in einem gleichseitigen Dreieck weist den Benutzer auf das Vorhandensein einer nicht isolierten gefährlichen elektrischen Spannung innerhalb des Systemgehäuses hin, so dass die Gefahr von Stromschlägen besteht.

 **ACHTUNG:** Das Ausrufezeichen in einem gleichzeitigen Dreieck ist vorgesehen, den Benutzer auf wichtige Operations- und Wartungsanweisungen (Instandhaltung) in der begleitenden Anwendungsliteratur hinzuweisen.

ACHTUNG AUF TROPFEN: Schützen Sie das Produkt vor Spritzwasser oder Tropfwasser, stellen Sie keine mit Wasser gefüllten Gegenstände (wie Vasen) auf dem Gerät ab.

ACHTUNG AUF BELÜFTUNG: Für den bestimmungsgemäßen Gebrauch, darf die normale Belüftung des Produkts nicht gehindert werden.

Achtung: Veränderungen oder Modifikationen an diesem Gerät, die nicht ausdrücklich von der für die Einhaltung dieser Bestimmungen zuständigen Stelle genehmigt werden, können bewirken, dass der Benutzer das Gerät nicht mehr betreiben darf.

Der Netzstecker wird als Trennvorrichtung verwendet; die Trennvorrichtung muss immer betriebsbereit sein. Wenn Sie das Gerät von der Stromversorgung trennen müssen, ziehen Sie den Netzstecker ganz aus der Steckdose.

Wichtige Sicherheitsinformationen

- Lesen Sie diese Anweisungen.
- Bewahren Sie diese Anweisungen auf.
- Beachten Sie alle Warnungen.
- Befolgen Sie alle Hinweise.
- Verwenden Sie dieses Gerät nicht in der Nähe von Wasser.
- Nur mit einem trockenen Tuch reinigen.
- Blockieren Sie keine der Lüftungsöffnungen. Beachten Sie beim Einbau des Gerätes die Herstellerhinweise.
- Installieren Sie das Gerät nicht in der Nähe von Wärmequellen wie Heizungskörpern, Wärmespeichern, Öfen oder anderen Apparaten (einschließlich Verstärkern), die Wärme abgeben
- Die Schutzfunktion des polarisierten oder geerdeten Steckers darf nicht unwirksam gemacht werden. Ein polarisierter Stecker besitzt zwei Blätter. Ein Blatt ist größer als das andere. Ein Schukostecker hat zwei Zinken und eine dritte Erdungszinke. Die breite Klinge oder der Zinken dienen zu Ihrer Sicherheit. Wenn der mitgelieferte Stecker nicht in die Steckdose passt, einen Elektriker mit dem Austauschen der veralteten Steckdose beauftragen.
- Achten Sie insbesondere im Bereich von Steckern, Steckdosen und am Geräteausgang darauf, dass nicht auf das Netzkabel getreten oder das Kabel eingeklemmt werden kann.
- Verwenden Sie nur die vom Hersteller angegebenen Befestigungen/Zubehörteile.
- Verwenden Sie nur Wagen, Ständer, Stativhalterungen und Tische, die vom Hersteller empfohlen oder die zusammen mit dem Gerät verkauft werden. Falls Sie einen Rollwagen verwenden, dürfen Sie die Einheit Gerät/ Rollwagen nur mit Vorsicht bewegen, damit Verletzungen beim möglichen Umkippen ausgeschlossen sind.
- Trennen Sie das Gerät während eines Gewitters oder bei längerer Nichtbenutzung vom Stromnetz.
- Beauftragen Sie Ihren zuständigen Kundendienst mit den Reparaturarbeiten. Wartungsarbeiten oder Reparaturen sind erforderlich, wenn das Netzkabel oder der Stecker beschädigt ist, wenn Flüssigkeit oder andere Gegenstände in das Geräteinnere gefallen sind, wenn das Gerät im Regen gestanden hat, sich nicht erwartungsgemäß verhält oder wenn es gefallen ist.
- WARNHINWEIS:** Um eine Gefährdung durch Feuer oder Stromschlag auszuschließen, das Gerät weder Regen noch Feuchtigkeit aussetzen. Stellen Sie keine mit Wasser gefüllten Gegenstände, wie Vasen, auf dem Gerät ab.
- Der AC Netzstecker wird als Trennvorrichtung verwendet; die Trennvorrichtung muss immer zugänglich und betriebsbereit sein. Ziehen Sie zum sicheren Trennen des Geräts von der Stromversorgung den Netzstecker vollständig aus der Steckdose.
- ACHTUNG:** Um eine Gefährdung durch Feuer oder Explosion auszuschließen, die Batterien weder direkter Sonneneinstrahlung, Feuer noch anderen Wärmequellen aussetzen.

WARNHINWEIS: ZUR VERHÜTUNG VON FEUER UND ELEKTRISCHEM SCHLAG DIESES GERÄT NICHT REGEN ODER SONSTIGER FEUCHTIGKEIT AUSSETZEN.

Warnhinweise:

- Dieser CD-Player verwendet ein Laserlichtband. Nur der qualifizierte Kundendienst sollte das Gerät öffnen oder reparieren, da die Möglichkeit von Augenverletzungen besteht.
- Abweichungen von den hier angegebenen Verfahren oder Einstellungen können zu einer gesundheitsgefährdenden Strahlenbelastung führen.
- Das Gerät soll in einem offenen Bereich verwendet werden.

ACHTUNG!

Unsichtbarer Laserstrahlungen, wenn externe Verriegelungen offen und beschädigt sind. Vermeiden Sie Strahlungseinwirkung.

Symbol für die Gerätegruppe II.
Dieses Symbol bedeutet, dass diese Einheit ein doppeltes Isoliersystem hat.



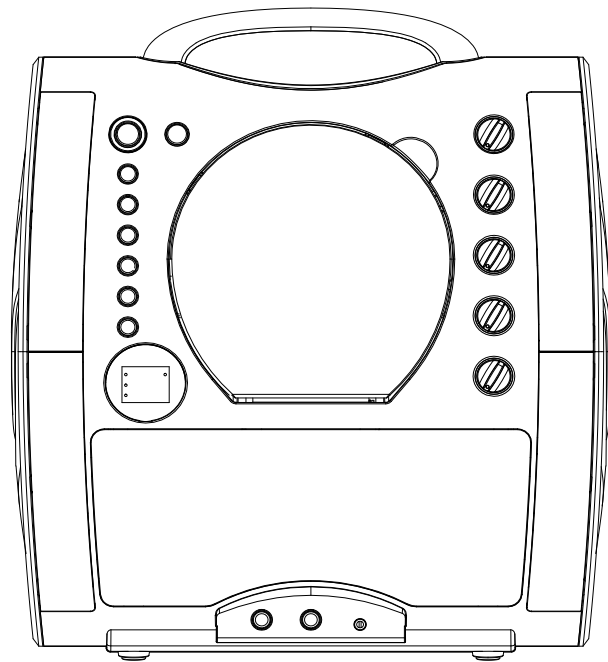
Das Symbol am Produkt oder in den Anleitungen bedeutet, dass Ihre elektrischen und elektronischen Geräte nach Ablauf ihrer Lebenszeit separat vom Hausmüll entsorgt werden müssen. Es stehen in der EU extra Kollektionssysteme zur Abfallverwertung zur Verfügung. Für weitere Informationen wenden Sie sich bitte an Ihre Behörde vor Ort oder Ihren Händler, von dem Sie das Produkt erworben haben.

Im Falle von Störungen, die durch elektrostatische Entladung bedingt sind, führen Sie bitte ein Reset durch.

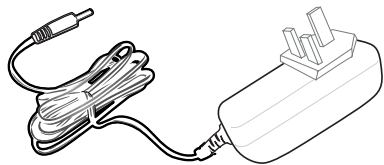


Enthalten

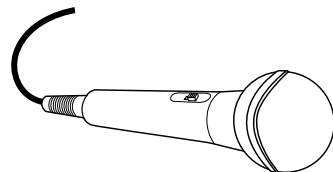
Was gibt's in der Schachtel.



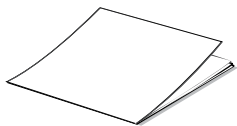
Haupteinheit



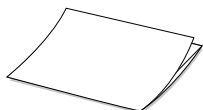
AC Netzadapter



Kabelgebundenes Mikrophon



Handbuch

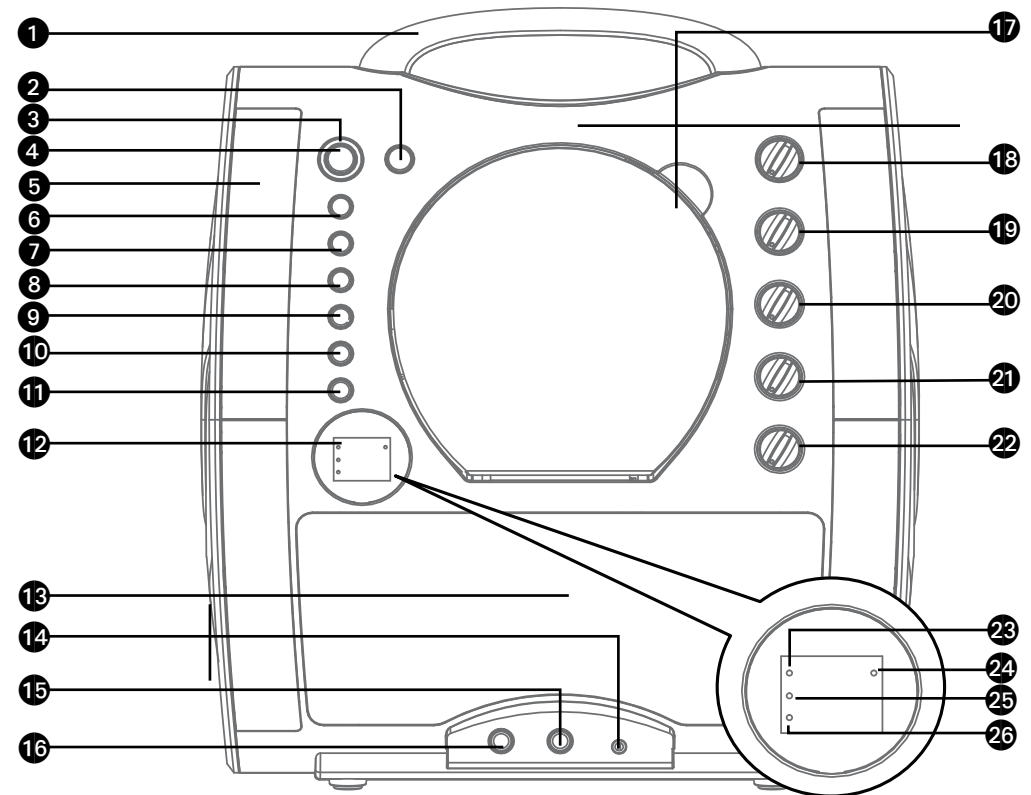


Willkommens-Set



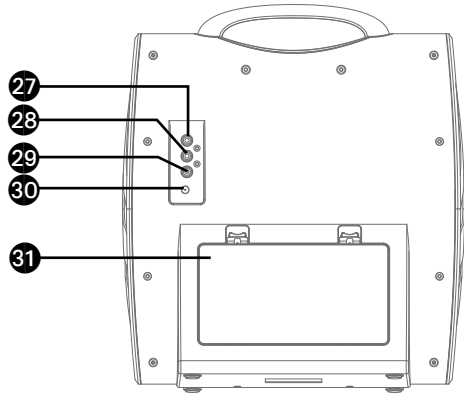
Audio-/Videokabel

Standort der Kontrollen (Vorderseite)



- | | | |
|---|--|--|
| 1. Griff | Taste | Regelung |
| 2. Disco-Beleuchtung Taste | 10. PROGRAM/REPEAT (Programm/Wiederholung) Taste | 19. Echoregelung |
| 3. ON/STANDBY (An/Standby) Anzeige | 11. FUNCTION (Funktion) -Taste | 20. Automatische Stimmregelung |
| 4. ON/STANDBY Taste | 12. Anzeige | 21. BALANCE Control (Ausgleichsregelung) |
| 5. Disco-Beleuchtungen | 13. Lautsprecher | 22. MIK Lautstärkenregelung |
| 6. PLAY/PAUSE/PAIR (Spielen/Pause/ Paarung) Taste | 14. AUX-EINGANG Jack | 23. CDG-Anzeige |
| 7. STOPP-Taste | 15. MIK 2 Jack | 24. PLAY/PAUSE Anzeige |
| 8. SKIP (Auslassen) ►► Taste | 16. MIK 1 Jack | 25. PROGRAMM-Anzeige |
| 9. SKIP (Auslassen) ◄◄ | 17. CD-Tür | 26. REPEAT (Wiederholen) Anzeige |
| | 18. MASTER VOLUME (Haupt-Lautstärke) | |

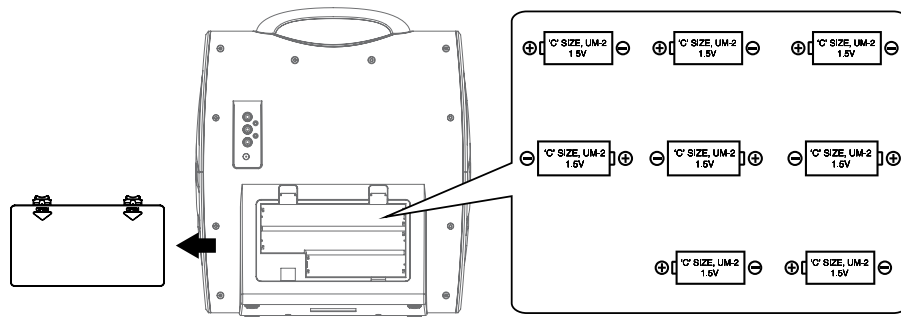
Position der Kontrollen (Hinterseite)



- 27. VIDEO-AUSGANG Jack
- 28. AUX-AUSGANG Jack (R)
- 29. AUX-AUSGANG Jack (L)
- 30. DC-EINGANG Jack
- 31. Batterie-Tür

Anschluss

Installation der Batterien



DC-Betrieb

1. Schieben Sie die Batterie-Tür in die angezeigte Richtung, um das Batterie-Fach zu öffnen. legen Sie acht (8) "C"-Größen alkalische Batterien ein (Batterien nicht enthalten), entsprechend der Markierung auf dem Diagramm.
2. Schließen Sie fest die Batteriefach-Tür, bevor Sie das Gerät in Betrieb nehmen.

WARNUNGEN:

- Wechseln Sie alle Batterien gleichzeitig aus.
- Verwenden Sie nicht gleichzeitig alte und neue Batterien.

Batterie Sicherheitsanweisungen

Bitte folgen Sie diesen Anweisungen, wenn Sie in diesem Gerät Batterien verwenden:

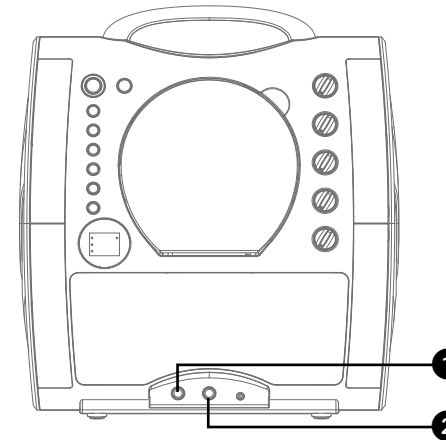
1. Bitte nur die Batterien des empfohlenen Typs und der angegebenen Größe verwenden.
2. Achten Sie beim Einsetzen der neuen Batterie auf richtige Polung, so wie es im Batteriefach angegeben ist. Batterien, die umgekehrt eingesetzt sind, können das Gerät beschädigen.
3. Legen Sie keine Batterien unterschiedlichen Typs (z. B. Alkalisch und Zink-Kohle) oder alte Batterien mit neuen Batterien ein.
4. Nehmen Sie den Akku heraus, wenn das Gerät über einen längeren Zeitraum nicht benutzt wird, um jegliche Schäden oder Verletzungen

wegen möglichem Auslaufen der Batterie zu verhindern.

5. Versuchen Sie nicht, Batterien aufzuladen, die nicht wieder aufgeladen werden können; diese könnten überheizen und zerbersten. (Beachten Sie die Hinweise des Batterieherstellers.)
6. Wiederaufladbare Batterien sollen aus dem Produkt entfernt werden, bevor Sie diese wieder aufladen.
7. Wiederaufladbare Batterien sollen nur unter Aufsicht von Erwachsenen aufgeladen werden.
8. Erschöpfte Batterien sollen aus dem Produkt entfernt werden.
9. Batterien dürfen nicht großer Hitze wie Sonnenschein, Feuer oder hnlichem ausgesetzt werden.

Anschluss

Mikrofon(e) anschließen

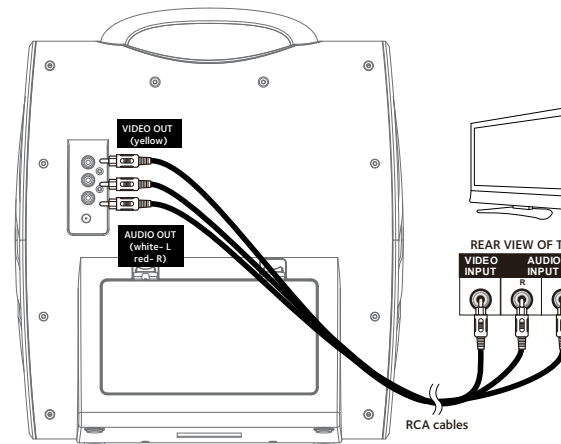


Mikrofone:

Stecken Sie ein Mikrofon in den Mic Jack 1 ein und auch in Mic Jack 2 (auf Wunsch).

Anmerkung: Lassen Sie das Mikrofon nicht fallen, und klopfen Sie nicht mit Gewalt auf das Mikrofon, da dadurch das Mikrofon oder die Lautsprecher beschädigt werden können. Verquirlen Sie nicht das Kabel des Mikrofons, da dadurch die umhüllten Drähte beschädigt werden können.

Die Einheit an einen Fernseher anschließen



Um Video, Texte und Audio auf ihrem Fernseher einzuschalten, folgen Sie diesen Schritten:

Schließen Sie das RCA Videokabel (gelb) an den VIDEO OUT Jack an, und die Audiokabel (weiß und rot) an die AUDIO OUT Jacks, die sich auf der Hinterseite der Singing Machine befinden.

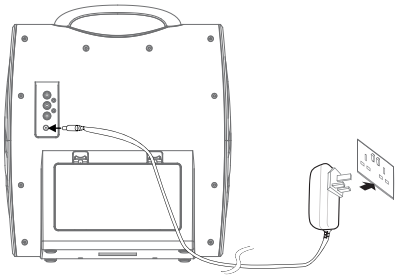
Schließen Sie das andere Ende des RCA Videokabels (gelb) an den VIDEO IN Jack an, und die Audiokabel (weiß und rot) an die AUDIO IN Jacks Ihres Fernsehers.

Anmerkungen:

- Diese Einheit kann mit oder ohne Fernseher benutzt werden, jedoch ist es hoch empfohlen, einen Fernseher zu benutzen, um alle Funktionen verwenden zu können.
- Beziehen Sie sich ebenfalls auf die Gebrauchsanweisung des Fernsehers.
- Um die Texte auf dem Bildschirm zu sehen, müssen Sie eine CD+G Platte verwenden.

Anschluss

Anschließen des Netzstroms

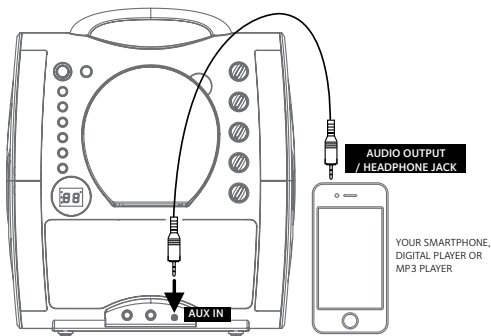


Verbinden Sie das AC-Netzkabel mit einer AC Standard-Steckdose mit 100–240V AC, 50–60Hz.

Anmerkung:

Nachdem Sie Anschlüsse vorgenommen haben, schließen Sie das AC Stromkabel an.

Anschließen des AUX IN Jacks

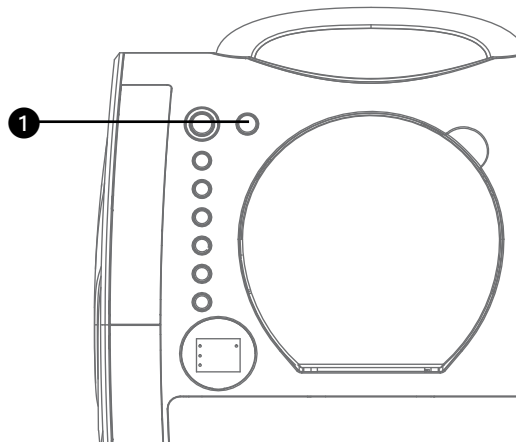


Schließen Sie ein externes Gerät an, indem Sie ein passendes Kabel verwenden (3.5mm Audiokabel, nicht enthalten), wie angezeigt.

Anmerkung:

Siehe Seite 13, um die AUX IN Funktion auszuwählen und zu verwenden.

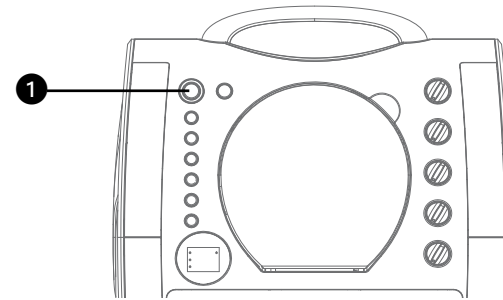
Disco-Beleuchtungen



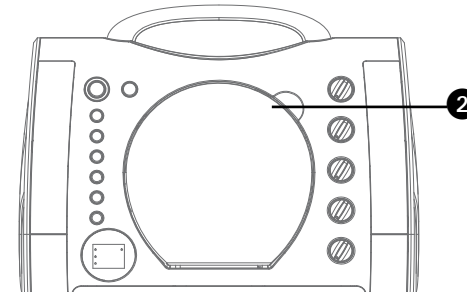
- 1 Drücken Sie die **Disco Light** (Disco-Licht)-Taste, um den Lichteffekt zu aktivieren, drücken Sie nochmals um ihn auszuschalten

Betrieb

Eine CDG spielen



- 1 Schließen Sie die Einheit wie vorher beschrieben an; falls Sie eine CD+G benutzen, ist es empfohlen, einen Fernseher anzuschließen (siehe Seite E5). Drücken Sie die power **ON/STANDBY** Taste, um die Einheit einzuschalten.

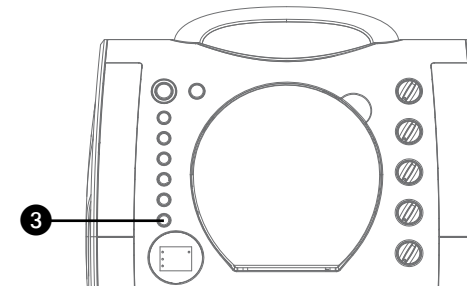


- 2 Öffnen Sie die CD-Tür und setzen Sie eine CD oder eine CD+G ein, indem Sie sanft auf die zentrale Spindel drücken. Schließen Sie dann sanft die CD-Tür.

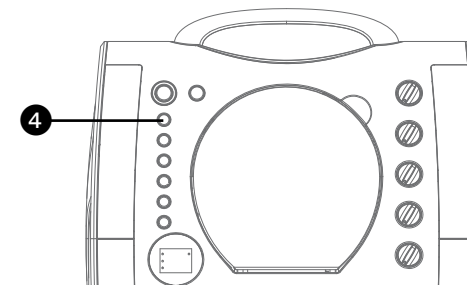
Anmerkung:

• Was ist eine CD+G?

- Eine CD+G (CD+Graphics) ist das standard-Format für die meisten Karaoke-Platten, die auch die Texte auf dem Bildschirm anzeigen.
- Versuchen Sie auf keinen Fall, irgendetwas anderes als eine CD in das Fach hineinzulegen, da fremde Gegenstände die Einheit beschädigen können.
- Fall sich keine Platte innerhalb des Geräts befindet, erscheint "no" auf dem Bildschirm.
- Falls das Gerät an einem Fernseher und/oder einer anderen Audio-Quelle angeschlossen ist, regeln Sie die Lautstärke der externen Einheit mit dessen eigenen Lautstärkenregelung.



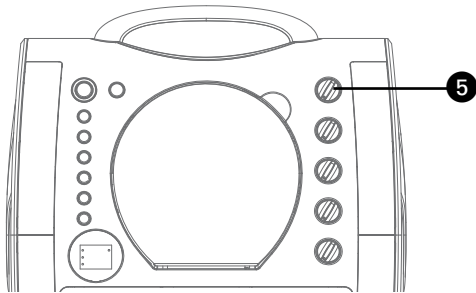
- 3 Drücken Sie wiederholt auf die **FUNCTION** Taste, um den CDG/CD Modus auszuwählen; "---" erscheint während der Suche der Platte und dann erscheint die Gesamtzahl der Titel. Falls eine CD+G Platte geladen ist, leuchtet die CDG Anzeige auf.



- 4 Drücken Sie die **PLAY/PAUSE** Taste, um die Musik zu starten; falls Sie eine CD+G Datei anhören, erscheinen die Bilder und die Texte auf dem Fernsehbildschirm (falls dieser angeschlossen ist) und die PLAY/PAUSE-Anzeige leuchtet auf.

Betrieb

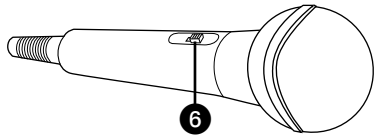
Eine CD spielen (Fortsetzung)



5 Stellen Sie die Lautstärke auf ein angenehmes Niveau anhand der **MASTER VOLUME** Regelung.

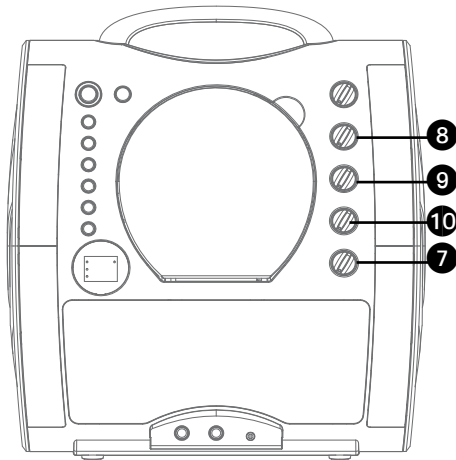
6 Anschluss von Mikrofon(en), wie auf Seite E5 abgebildet, und schalten Sie den **ON/OFF** Schalter des Mikrofons auf ON.

7 Regeln Sie den **MIC VOLUME** wie Sie es wünschen. Wenn Sie diese Einstellung lauter stellen, wird die Lautstärke beider Mikrofone erhöht.



8 Drehen Sie die **ECHO** Regelung, um Ihrer Stimme einen Echo-Effekt hinzuzufügen. Drehen Sie in Richtung MAX, um den Echo-Effekt stärker zu stellen.

9 AUTO VOICE CONTROL kann aktiviert werden, indem Sie den **AVC** Schaltknopf drehen. Je höher dieses eingestellt ist, umso mehr werden die Stimmen der multiplexen Aufnahme gedämpft, wenn der Sänger anfängt, im Mikrofon zu singen. Wenn der Sänger aufhört zu singen, werden die Stimmenaufnahmen der multiplexen Aufnahme wieder normal hörbar.

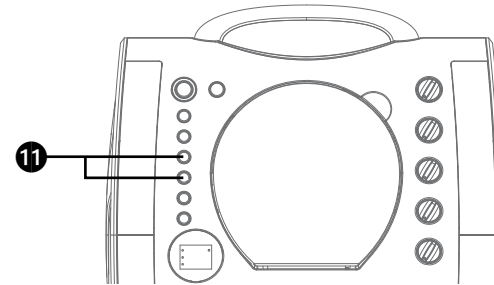


10 Drehen Sie die **BALANCE** Regelung im Uhrzeigersinn, um die Musik und die Stimmnaufnahmen einer Multiplexen Aufnahme zu hören, oder gegen den Uhrzeigersinn, um nur die Musik einer Multiplex-Aufnahme zu hören.

Anmerkung: Um die **BALANCE**-Regelung zu verwenden, müssen Sie eine CD+G benutzen, ansonsten funktioniert diese nur wie eine Standard Balance-Regelung.

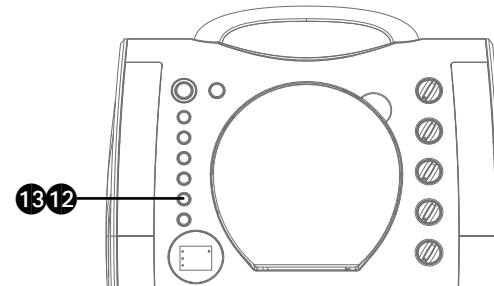
Betrieb

Eine CD spielen (Fortsetzung)



11 **SKIP (Auslassen):** Gehen Sie ein Lied vorwärts oder rückwärts, indem Sie die **Skip** **⏮/Skip** **⏭** Tasten drücken.

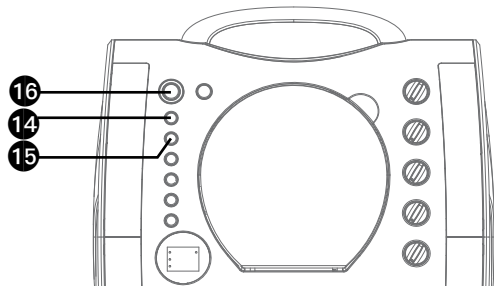
12 **REPEAT (wiederholen):** Während die Musik spielt, drücken Sie einmal die **PROGRAM/REPEAT** Taste, um das ausgewählte Lied wiederholt zu spielen; die Repeat-Anzeige blinkt dabei auf. Drücken Sie ein zweites Mal die **PROGRAM/REPEAT** Taste, um die ganze CD wiederholt zu spielen; die REPEAT-Anzeige bleibt dabei an. Drücken Sie nochmals die Taste, um die Wiederholungsfunktion zu stoppen, die REPEAT Anzeige schaltet aus.



13 **PROGRAM:** Sie können bis zu 20 Titel von beliebigen Platten programmieren, damit diese in einer bestimmten Reihenfolge spielen. Im Stopp-Modus, drücken Sie die **PROGRAM/REPEAT** Taste; die PROGRAM-Anzeige blinkt dabei und "00" erscheint. Wählen Sie den ersten Titel aus, indem Sie die **Skip** **⏮/Skip** **⏭** Tasten verwenden. Drücken Sie nochmal die **PROGRAM/REPEAT** Taste, um den Eintrag zu bestätigen. Nachdem Sie die gewünschten Titel ausgewählt haben, erscheint auf der Anzeige 01, 02, usw. und zeigt dabei an, dass die ausgewählten Titel programmiert wurden und die PROGRAM-Anzeige leuchtet rot auf. Wiederholen Sie diese Schritte, um bis zu 20 Titel zu speichern. Wenn Sie soweit sind, drücken Sie die **PLAY/PAUSE** Taste, damit die Musik zu spielen beginnt.

Betrieb

Eine CD spielen (Fortsetzung)



Anmerkung:

- Drücken Sie die **STOP** Taste ZWEIMAL, um das Programm zu stoppen und zu löschen.

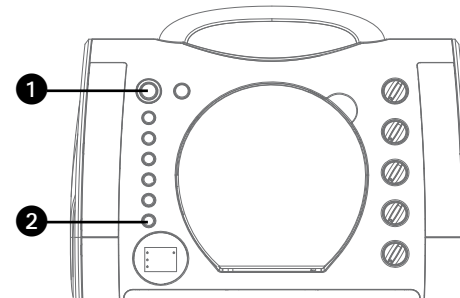
14 PAUSE: Während des Spielens, falls Sie die Platte momentan auf Pause schalten möchten, drücken Sie die **PLAY/PAUSE** Taste; die PLAY/PAUSE Anzeige blinkt dabei. Drücken Sie nochmals, um die Wiedergabe fortzusetzen.

15 Drücken Sie die **STOP** Taste, um die Wiedergabe zu stoppen.

16 Drücken Sie die power **ON/STANDBY**Taste, um die Einheit auszuschalten.

Betrieb

Verwendung eines Bluetooth-Gerätes



1 Schließen Sie die Einheit wie vorher beschrieben an. Drücken Sie die power **ON/STANDBY** Taste, um die Einheit einzuschalten.

2 Drücken Sie mehrmals die **FUNCTION**Taste, um den Bluetooth-Modus auszuwählen; "bt" erscheint auf der Anzeige und die Bluetooth-Anzeige blinkt während die Einheit automatisch Bluetooth Geräte sucht und ein vorher gepaartes Gerät paart (falls dieses schon vorher gepaart wurde). Falls keine vorher gepaarten Geräte erkannt werden, schließen Sie dieses an, wie es im nächsten Schritt erklärt wird.

Anmerkung: Sie können ebenfalls die **PLAY/PAUSE/PAIR** Taste gedrückt halten, um ein gepaartes Gerät zu trennen und ein neues Gerät zu paaren.

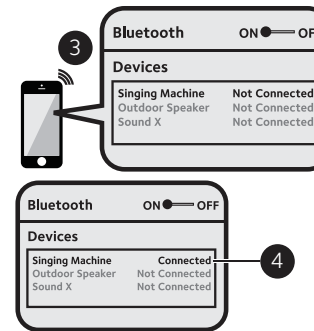
3 Schalten Sie die Bluetooth-Funktion Ihres Gerätes in den Parametern ein, um ein erkennbares Gerät mit Bluetooth-Signal zu suchen. Wählen Sie "**Singing Machine**" in den Ergebnissen des Gerätes im Bluetooth Menü aus.

Anmerkung: Schauen Sie ebenfalls in die Gebrauchsanweisung Ihres Bluetooth-Gerätes für detaillierte Anweisungen.

4 "bt" leuchtet dabei fest in der Anzeige auf. Die Bluetooth-Anzeige leuchtet auf und Sie hören einen Ton, der bedeutet, dass die Paarung erfolgreich ist.

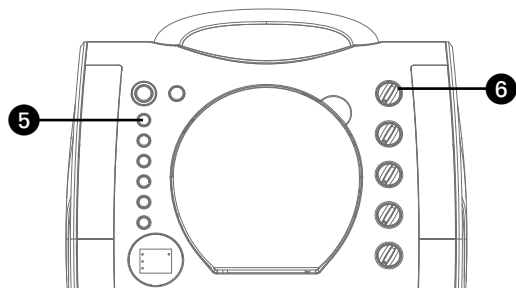
Anmerkungen:

- Falls Ihr Bluetooth während des Paaren ein Passwort anfordert, geben Sie "0000"ein, um die Verbindung herzustellen.
- Auf manchen Bluetooth-Geräten, wenn das Paaren zu Ende ist, wählen Sie für Ihr Bluetooth-Gerät "Use as Audio Device" (als Audiogerät verwenden) oder Ähnliches aus.
- Fall nach erfolgreichem Paaren die Verbindung abbricht, prüfen Sie, dass die Entfernung zwischen dem Lautsprecher und dem Bluetooth-fähigen Gerät nicht länger als 30 FüÙe/10 Meter ist.
- "Bluetooth" blinkt auf dem Fernseh Bildschirm und hört auf zu blinken, wenn der Anschluss erfolgreich ist.



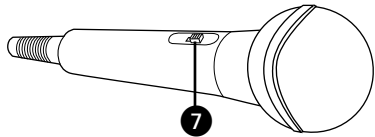
Betrieb

Verwendung eines Bluetooth-Gerätes (Fortsetzung)



5 Um Ihr Bluetooth-Gerät von dieser Einheit aus zu steuern, drücken Sie die **PLAY/PAUSE** Taste, damit die Musik beginnt. Drücken Sie die **PLAY/PAUSE** Taste während des Spielens, um das Lied zu pausieren.

6 Stellen Sie sowohl die Lautstärke auf ein angenehmes Niveau anhand des **MASTER VOLUME** Reglers dieser Einheit als auch die Lautstärke Ihres Bluetooth-Gerätes.



7 Anschluss von Mikrofon(en), wie auf Seite E5 abgebildet, und schalten Sie den **ON/OFF** Schalter des Mikrofons auf ON.

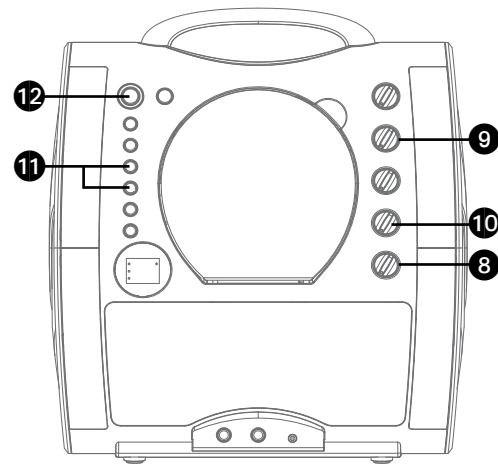
8 Regeln Sie den **MIC VOLUME** wie Sie es wünschen. Wenn Sie diese Einstellung lauter stellen, wird die Lautstärke beider Mikrofone erhöht.

9 Drehen Sie die **ECHO** Regelung, um Ihrer Stimme einen Echo-Effekt hinzuzufügen. Drehen Sie in Richtung MAX, um den Echo-Effekt stärker zu stellen.

10 Stellen Sie die Balance zwischen den Lautsprechern ein, indem Sie den **BALANCE** Regler verwenden.

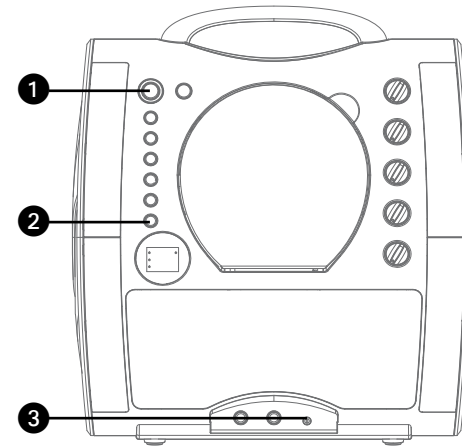
11 **SKIP (Auslassen):** Gehen Sie ein Lied vorwärts oder rückwärts, indem Sie die **Skip** **⏮/Skip** **⏭** Tasten drücken.

12 Drücken Sie die power **ON/STANDBY**Taste, um die Einheit auszuschalten.



Betrieb

Verwendung des AUX IN Jacks



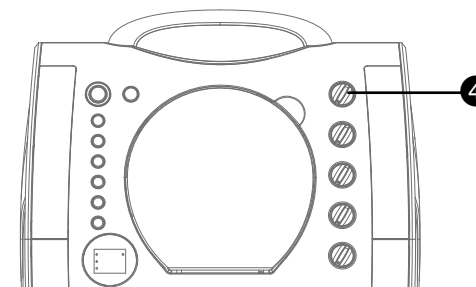
1 Schließen Sie die Einheit wie vorher beschrieben an. Drücken Sie die power **ON/STANDBY** Taste, um die Einheit einzuschalten.

2 Drücken Sie wiederholt die **FUNCTION**Taste, um den AUX IN-Modus auszuwählen; "AU" erscheint dabei auf dem Display

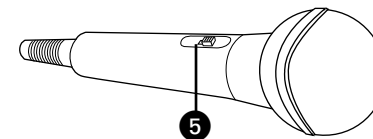
3 Schließen Sie die externe Einheit an den AUX IN Jack an der Vorderseite dieser Einheit an. Eine externe Einheit anzuschließen erlaubt es, den Ton durch Ihre Singing Machine zu spielen.

Anmerkungen:

- Es wird dringend empfohlen, die Lautstärke der Zusatzeinrichtung auf 1/3 oder niedriger zu stellen, um Verzerrungen zu verhindern.
- Dateien/Titel zu überspringen ist mit dieser Einheit nicht möglich, wenn Sie ein externes Gerät verwenden.



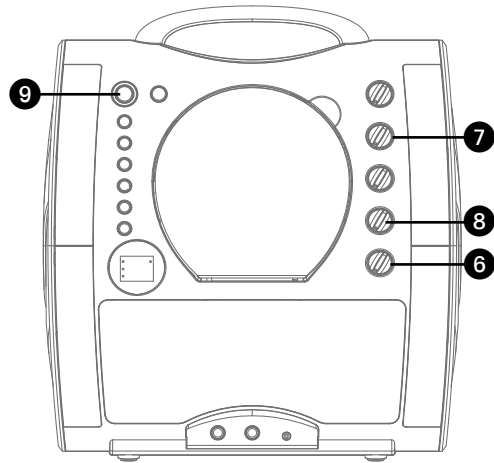
4 Stellen Sie die Lautstärke ein, indem Sie den **MASTER VOLUME** Regler dieser Einheit oder die Lautstärkenregelung Ihrer externen Einheit verwenden.



5 Schließen Sie Mikrofon(e) an, wie es Seite E5 erklärt wird. Schalten Sie den **ON/OFF** Schalter des Mikrofons auf die On-Stellung.

Betrieb

Verwendung des AUX IN Jacks (Fortsetzung)



6 Regeln Sie den **MIC VOLUME** wie Sie es wünschen. Wenn Sie diese Einstellung lauter stellen, wird die Lautstärke beider Mikrofone erhöht.

7 Drehen Sie die **ECHO** Regelung, um Ihrer Stimme einen Echo-Effekt hinzuzufügen. Drehen Sie in Richtung MAX, um den Echo-Effekt stärker zu stellen.

8 Stellen Sie die Balance zwischen den Lautsprechern ein, indem Sie den **BALANCE** Regler verwenden.

9 Drücken Sie die power **ON/STANBY** Taste, um die Einheit auszuschalten.

Stromsparmmodus (Auto Power System-APS)

In den folgenden Situationen geht das Gerät nach 15 Minuten automatisch auf Standby-Modus:

1. Es befindet sich keine CD im Fach oder das Spielen der CD wurde gestoppt;
2. Das Spielen des externen Musik Players wurde gestoppt, aber das Audiokabel steckt immer noch im AUX IN Jack.
3. Die Bluetooth-Musik spielt nicht mehr.

Die Einheit kann wiedereingestellt werden indem man einmal auf die **ON/STANDBY** Taste drückt.

Das APS dient zum Strom sparen.

Fehlersuchanleitung

Sollte diese Einheit ein Problem aufweisen, überprüfen Sie folgende Elemente, bevor Sie Dienstleistungen suchen.

Schaltet nicht ein

- Das Gerät ist nicht eingeschaltet; drücken Sie die power **ON/STANBY** Taste, um es einzuschalten.
- Vergewissern Sie sich, dass das Stromkabel sicher an der Hinterseite der Einheit angeschlossen ist.
- Schließen Sie die Einheit an eine andere Steckdose an.

Kein Ton – Generell

- Die Master-Lautstärke steht auf Minimal; erhöhen Sie die Lautstärke.
- Die korrekte Funktion wurde nicht ausgewählt; wählen Sie diese anhand der **FUNCTION** Taste aus.
- Falls Sie ein externes Gerät verwenden, stellen Sie die Lautstärke höher.

Kein Ton – wenn an einem Fernseher angeschlossen

- Der Ton des Fernsehers ist stummgeschaltet oder zu leise.
- Die richtige Quelle (gewöhnlich AV) wurde im Fernsehmenü nicht ausgewählt.

Die Texte erscheinen nicht auf dem Fernsehbildschirm

- Falls das Gerät an einem Fernseher angeschlossen ist, ist der Video-Stecker nicht richtig eingesteckt; siehe Seite E5.
- Falls das Gerät an einem Fernseher angeschlossen ist, wählen Sie die richtige Quelle auf dem Fernseher aus (normalerweise AV).
- Die Datei/der Titel, der gespielt wird ist keine Titelaufnahme mit Texten. Dies sind die einzigen Dateien, die es Ihnen erlauben, die Texte auf einem Fernsehbildschirm anzusehen.
- Nichts erscheint auf dem Bildschirm, wenn Sie AUX IN oder Bluetooth verwenden.

Kein Ton kommt aus dem Mikrofon

- Vergewissern Sie sich, dass das Mikrofon fest am MIC 1 oder MIC 2 Jack angeschlossen ist.
- Vergewissern Sie sich, dass der **ON/OFF** Schalter des Mikrofons auf der ON-Stellung ist.
- Vergewissern Sie sich, dass die **MIC VOLUME** Parameter nicht zu leise gestellt sind.
- Das **MASTER VOLUME** steht auf Minimal; erhöhen Sie die Lautstärke.
- Regeln Sie die **Echo**-Reglung über den Mittelpunkt auf der Singing Machine.

Das Bluetooth-Gerät kann nicht gepaart werden oder an der Einheit angeschlossen werden

- Sie haben nicht die Bluetooth-Funktion auf Ihrem Gerät aktiviert; siehe Seite E11 oder beziehen Sie sich auf die Benutzeranwendung Ihres Bluetooth Gerätes.
- Das System ist nicht im Paarungsmodus; drücken Sie die **Pair** Taste, um erneut zu paaren.

Die Musik ist auf der Einheit nicht verfügbar, nachdem das Bluetooth gut angeschlossen wurde.

- Vergewissern Sie sich, dass Ihr Bluetooth-Gerät das A2DP Bluetooth-Profil unterstützt.
- Die Lautstärke auf dem externen Bluetooth-Gerät wurde leise oder stummgestellt; steigern Sie die Lautstärke, wie Sie es wünschen.

Spezifikationen

AUDIO

AUSGANGSSTROM (MAXIMAL) 2 Watts (RMS)

AUSGANGSIMPEDANZ 8 Ohms

CD-PLAYER-PROFIL

FREQUENZGANG 100 Hz - 20 kHz

SIGNAL-RAUSCH-VERHÄLTNIS 50 dB

ANZAHL DER PROGRAMME 20 Programmierungsschritte mit wahlfreiem Zugriff

PROBEENTNAHMESYSTEM 8 Mal über Probenahme

BLUETOOTH

Bluetooth-Version V4.2

Arbeitsabstand bis zu 30 Füßen/10 Metern gemessen im freien Raum

AUX IN PROFIL 3.5 mm Stereo Kopfhörer-Jack

MIKROFON -74 dB 600 Ohm Impedanz mit 6.3 mm dynamischem Mikrofon

LEISTUNGSTEIL DC 12V \equiv 1A \ominus \oplus (8 x "C" Batterien) (Batterien nicht enthalten)

MAßE (HxBxT) 13.3 x 12.0 x 6.1 Zoll / 36.6 x 33.6 x 18.1 cm

GEWICHT 4.0 Pfund / 1.82 Kg

Alle Angaben sind typische Werte. Einzelgeräte können variieren und unterliegen der kontinuierlichen Verbesserung, ohne Vorankündigung und/oder ohne Verbindlichkeit.

Die Wortmarke Bluetooth und die Logos sind eingetragene Marken von Bluetooth SIG, Inc. und werden von The Singing Machine Company, Inc. unter Lizenz verwendet.

Andere Marken und Produktnamen sind Eigentum der jeweiligen Rechteinhaber.


Avvertenze




ATTENZIONE
RISCHIO DI SCOSSE ELETTRICHE
NON APRIRE



ATTENZIONE: PER RIDURRE IL RISCHIO DI SCOSSE ELETTRICHE, NON RIMUOVERE IL COPERCHIO (O LA PARTE POSTERIORE). NON VI SONO PEZZI RIPARABILI DALL'UTENTE. PER LA MANUTENZIONE, RIVOLGERSI A PERSONALE QUALIFICATO.
La marcatura Attenzione si trova sul pannello inferiore.



TENSIONE PERICOLOSA La spia illuminata con il simbolo della freccia all'interno di un triangolo equilatero avverte l'utente della presenza di tensione pericolosa non isolata all'interno del contenitore del prodotto, che può essere di intensità sufficiente per costituire un rischio di scossa elettrica per le persone.



ATTENZIONE: Il punto esclamativo all'interno di un triangolo equilatero avverte l'utente della presenza di importanti istruzioni operative e di manutenzione (assistenza) nella documentazione che accompagna il prodotto.

AVVERTENZA RELATIVA AL GOCCIOLAMENTO Questo prodotto non deve essere esposto ad acqua da gocciolamenti o spruzzi e nessun oggetto contenente liquidi, come per esempio un vaso, deve esservi posizionato sopra.

AVVERTENZA RIGUARDANTE LA VENTILAZIONE. La normale ventilazione del prodotto non deve essere impedita per l'uso previsto.

Avvertenza: Cambiamenti o modifiche a questa unità non espressamente approvati dalla parte responsabile della conformità potrebbero invalidare il diritto dell'utente ad utilizzare l'impianto.

La spina principale è usata come dispositivo di scollegamento e dovrebbe essere sempre facilmente accessibile durante l'uso previsto. Al fine di scollegare l'impianto completamente dalla rete, la spina di alimentazione deve essere scollegata completamente dalla presa di corrente principale.

Importanti istruzioni di sicurezza

1. Leggere queste Istruzioni.
2. Conservare queste Istruzioni.
3. Osservare tutte le Avvertenze.
4. Seguire queste Istruzioni.
5. Non usare questo impianto vicino all'acqua.
6. Pulire solo con un panno asciutto.
7. Non bloccare nessuna delle aperture di ventilazione. Installare secondo le istruzioni del Produttore.
8. Non installare vicino a fonti di calore come radiatori, regolatori di calore, stufe o altri apparecchi (inclusi gli amplificatori) che producono calore.
9. Non annullare l'obiettivo di sicurezza della spina polarizzata o con messa a terra. Una spina polarizzata ha due lame, una più grande dell'altra. Una spina a terra ha due lame e un terzo polo di terra. La lama larga o il terzo polo sono forniti per la sicurezza dell'utente. Quando la spina fornita non entra nella presa, consultare un elettricista per la sostituzione della presa obsoleta.
10. Proteggere il cavo di alimentazione dall'essere calpestato o schiacciato, in particolare in prossimità a delle spine, prese e al punto in cui esce dall'apparecchio.
11. Utilizzare soltanto collegamenti/accessori specificati dal produttore.
12. Usare solo con un carrello, supporto, cavalletto, sostegno o tavola specificati dal produttore o venduti con l'apparecchio. Quando si usa un carrello, prestare attenzione quando si sposta la combinazione carrello/impianto per evitare cadute dell'apparecchio dall'alto.
13. Scollegare l'impianto durante i temporali o se non viene utilizzato per lunghi periodi di tempo.
14. Per assistenza rivolgersi sempre a personale qualificato. È necessario rivolgersi all'assistenza se l'impianto è stato danneggiato in qualsiasi modo, come per esempio se il cavo di alimentazione o la spina sono stati danneggiati, in caso di rovesciamento di liquidi sull'impianto o di caduta di oggetti all'interno dello stesso, se l'impianto è stato esposto a pioggia o umidità, se non funziona normalmente o è stato fatto cadere.
15. **AVVISO:** Per ridurre il rischio di incendi o scosse elettriche, non esporre l'unità a pioggia o umidità. Non posizionare oggetti pieni d'acqua, come ad esempio un vaso, sull'apparecchio.
16. La spina di rete CA è usata come dispositivo di scollegamento e dovrebbe essere sempre facilmente accessibile e operativa durante l'uso previsto. Per scollegare completamente l'apparecchio dalla rete, la spina di rete deve essere completamente rimossa dalla presa CA di corrente.
17. **ATTENZIONE:** Per ridurre il rischio di incendi o esplosioni, non esporre le batterie a calore eccessivo come luce solare, fuoco o altro.


AVVISO: PER EVITARE IL RISCHIO DI INCENDI O SCOSSE ELETTRICHE, NON ESPORRE L'UNITÀ A PIOGGIA O UMIDITÀ.

Avvertenze:

- Questo lettore CD impiega un fascio di luce laser. Soltanto un tecnico qualificato dovrebbe rimuovere il coperchio o tentare di riparare il dispositivo, a causa di possibili lesioni agli occhi.
- L'uso di comandi, regolazioni o procedure diverse da quelle specificate nel presente documento potrebbe provocare l'esposizione a radiazioni pericolose.
- L'impianto deve essere utilizzato in uno spazio aperto.

ATTENZIONE!
Vi sono delle radiazioni laser invisibili quando aperto e i dispositivi di blocco sono superati. Evitare l'esposizione al fascio di luce laser.

Simbolo equipaggiamento classe II.
Il simbolo indica che l'unità ha un doppio sistema isolamento.



CLASS 1 LASER PRODUCT
PRODOTTO LASER CLASSE 1
PRODUCTO LASER CLASSE 1
PRODUIT LASER DE CLASSE 1
LASER-PRODUKT DER KLASSE 1



Questo simbolo sul prodotto o nelle istruzioni indica che l'impianto elettrico ed elettronico deve essere smaltito, al termine della sua durata d'uso, separatamente dai rifiuti domestici. Vi sono sistemi di raccolta differenziata per il riciclaggio nell'UE.
Per ulteriori informazioni, si prega di contattare l'autorità locale o il rivenditore presso il quale il prodotto è stato acquistato.

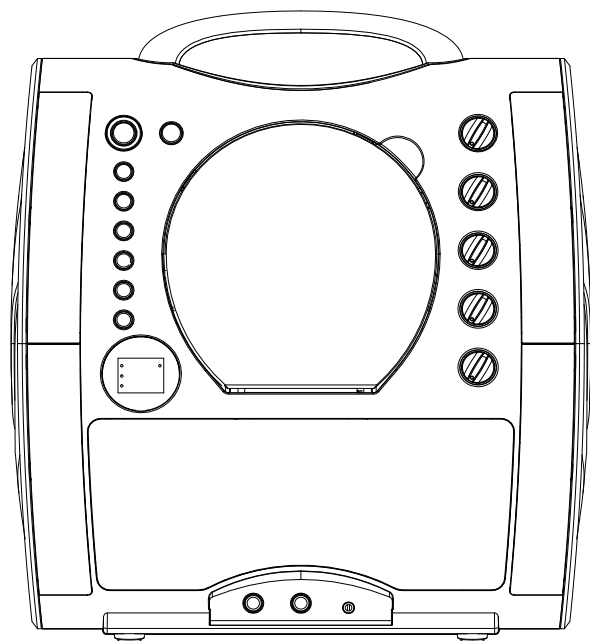
Sotto l'influenza di fenomeni elettrostatici, il prodotto potrebbe non funzionare correttamente e potrebbe essere necessario resettarlo.



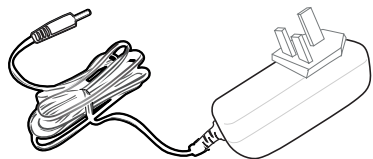
AVVERTENZA CARRELLO PORTABILE (simbolo fornito da RETAC)

La confezione include

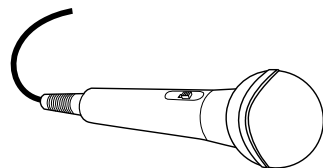
Cosa comprende la confezione?



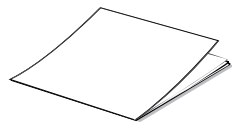
Unità principale



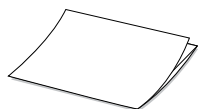
Adattatore per corrente alternata (CA)



Microfono cablato



Manuale

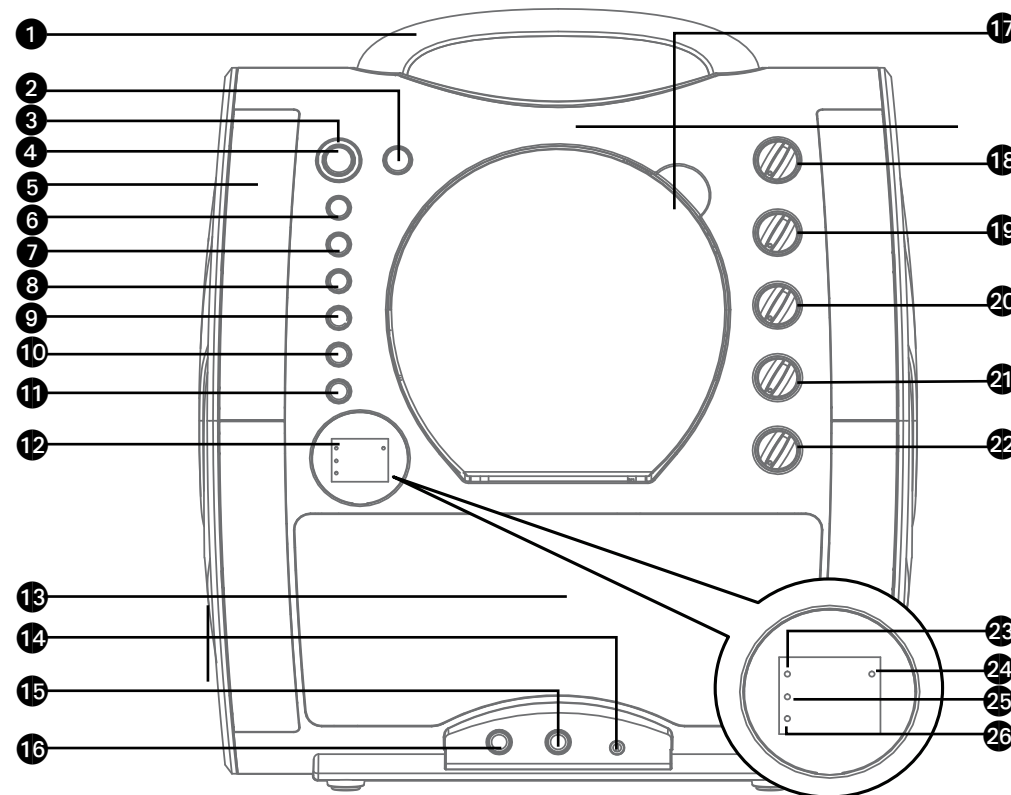


Kit di benvenuto



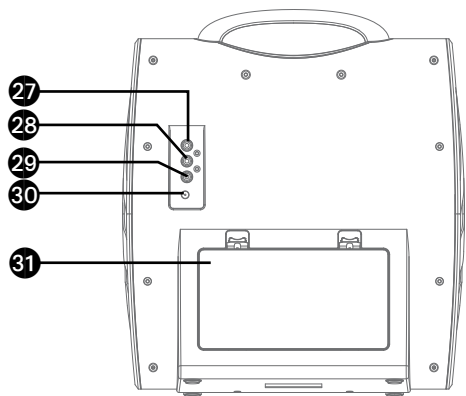
Cavi audio/video

Posizione dei comandi (Anteriore)



- | | | |
|------------------------------|-------------------------------|--|
| 1. Maniglia | 10. Tasto PROGRAM/
REPEAT | 20. Controllo vocale
automatico (AVC) |
| 2. Pulsante luci discoteca | 11. Tasto FUNCTION | 21. Pulsante
BILANCIAMENTO |
| 3. Led ON/STANDBY | 12. Display | 22. Tasto VOLUME MIC |
| 4. Pulsante ON/
STANDBY | 13. Altoparlante | 23. Led CDG |
| 5. Luci Discoteca | 14. Jack AUX IN | 24. Led PLAY/PAUSE |
| 6. Tasto PLAY/PAUSE/
PAIR | 15. Jack MIC 2 | 25. Led PROGRAM |
| 7. Pulsante STOP | 16. Jack MIC 1 | 26. Led REPEAT |
| 8. Tasto SKIP ►► | 17. Sportello CD | |
| 9. Tasto SKIP ◄◄ | 18. Pulsante MASTER
VOLUME | |
| | 19. Tasto ECHO | |

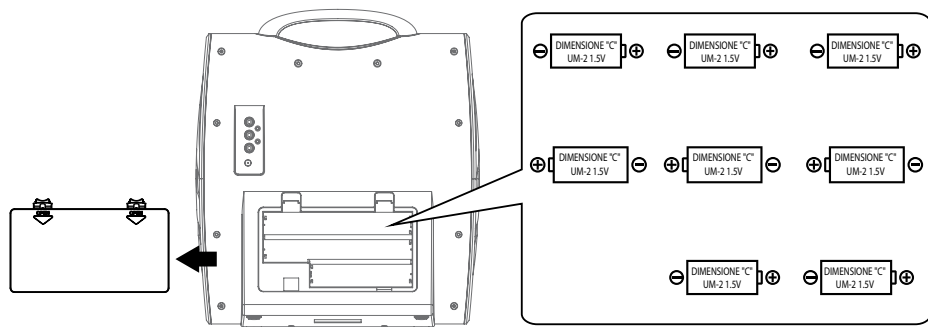
Posizione dei pulsanti (Posteriore)



- 27. Jack VIDEO OUT
- 28. Jack AUX OUT (D)
- 29. Jack AUX OUT (S)
- 30. Jack CC IN
- 31. Sportello batteria

Collegamento

Installazione delle batterie



FUNZIONAMENTO CC

1. Far scorrere il coperchio della batteria nella direzione della freccia per aprire il compartimento della batteria. Inserire otto (8) batterie alcaline "C" (non incluso), come indicato nello schema.
2. Riposizionare il coperchio saldamente prima di utilizzare il telecomando.

ATTENZIONE:

- Sostituire tutte le batterie allo stesso tempo.
- Non mischiare batterie vecchie con batterie nuove.

Avvertenze riguardanti la batteria

Seguire le seguenti precauzioni riguardanti l'utilizzo delle batterie in questo dispositivo.

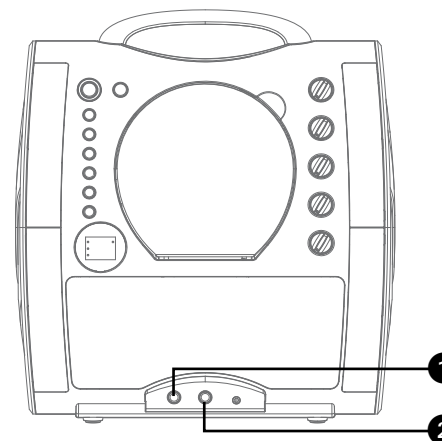
1. Utilizzare solo batterie di dimensioni e tipo specificati.
2. Assicurarsi di seguire la polarità corretta quando si installano le batterie come indicato nel vano batterie. Una batteria invertita può causare danni al dispositivo.
3. Non mescolare diversi tipi di batterie (per esempio alcaline e in zinco carbonio) o le batterie vecchie con quelle nuove.
4. Se il dispositivo non deve essere utilizzato per un lungo periodo di tempo, rimuovere le batterie per evitare danni o lesioni da eventuali

perdite delle batterie.

5. Non tentare di ricaricare le batterie non destinate ad essere ricaricate; potrebbero surriscaldarsi e scoppiare. (Seguire le indicazioni del produttore della batteria.)
6. Le batterie ricaricabili devono essere rimosse dal prodotto prima di essere caricate.
7. Le batterie ricaricabili devono essere caricate soltanto sotto la supervisione di un adulto.
8. Le batterie consumate devono essere rimosse dal prodotto.
9. Le batterie non devono essere esposte a calore eccessivo, come sole, fuoco o simili.

Collegamento

Collegamento del Microfono/dei Microfoni

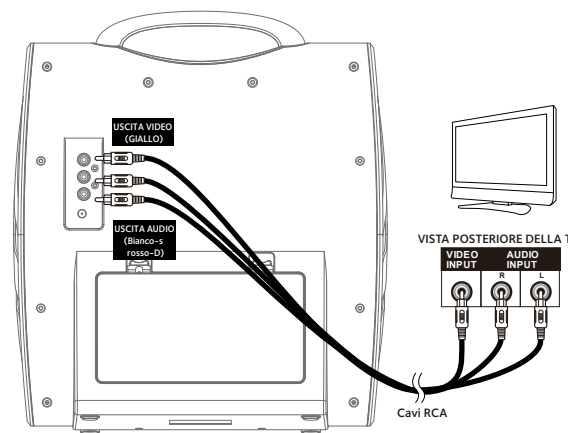


Microfoni:

Collegare un microfono nel Mic jack 1 e nel Mic jack 2 (se desiderato).

Nota: Non far cadere e non toccare il Mic in quanto si potrebbero verificare danni al Mic o agli altoparlanti. Non torcere il cavo del microfono poiché causerà danni al cablaggio incassato.

Collegamento dell'Unità a un Televisore



Per riprodurre video, testi e audio sul televisore, svolgere le seguenti operazioni:

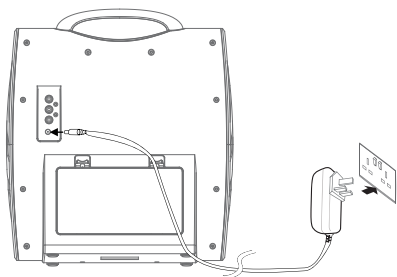
Collegare il cavo video RCA (giallo) al Jack VIDEO OUT e i cavi audio (bianco e rosso) ai Jack AUDIO OUT posti sul retro della Singing Machine. Collegare l'estremità opposta del cavo video RCA (Giallo) al Jack VIDEO IN e i cavi audio (Bianco e Rosso) all'AUDIO IN sulla TV.

Note:

- Questa unità può essere utilizzata con o senza televisore, ma si consiglia vivamente di usare un televisore per poter sfruttare tutte le caratteristiche.
- Fare riferimento anche alla Guida per l'utente della TV.
- Per visionare i testi sullo schermo, bisogna utilizzare un disco CD+G.

Collegamento

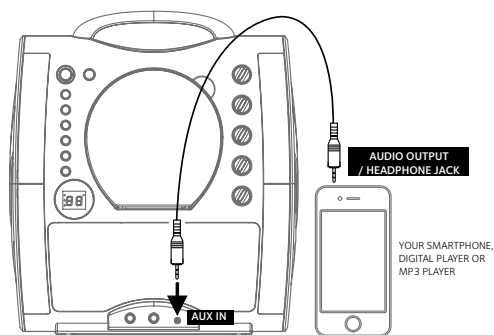
Collegamento all'alimentazione CA



Inserire il cavo di alimentazione CA in una presa CA, 100-240V CA, 50-60Hz.

Nota:
Effettuare tutti i collegamenti prima di collegare all'alimentazione CA.

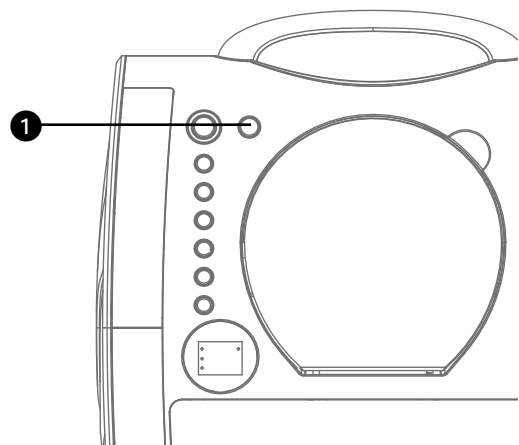
Collegare a AUX IN Jack



Collegare il dispositivo esterno utilizzando un cavo adatto (cavo audio 3,5 mm non incluso) come indicato.

Nota:
Si veda la pagina E13 per selezionare e utilizzare la funzione AUX IN.

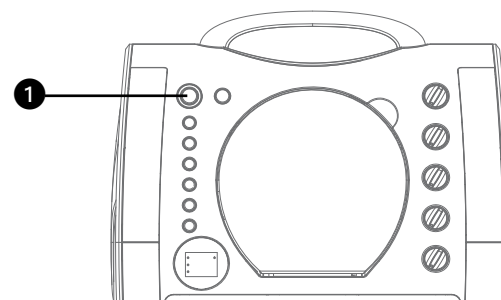
Luci Discoteca



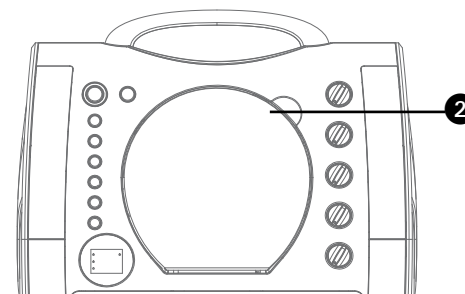
1 Premere il tasto **Disco Light** per accendere l'effetto luci, premere nuovamente il tasto per spegnerlo.

Funzionamento

Riproduzione di un CDG



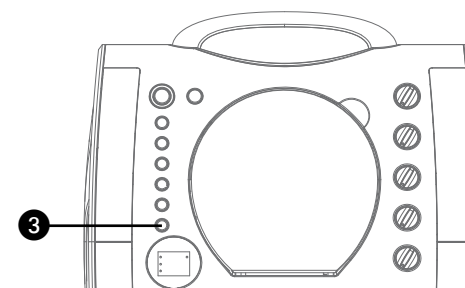
1 Collegare l'unità come descritto in precedenza; se si utilizza un CD+G, si consiglia di collegarla ad una TV (si veda la pagina E5). Premere il tasto **ON/STANDBY** per accendere l'unità.



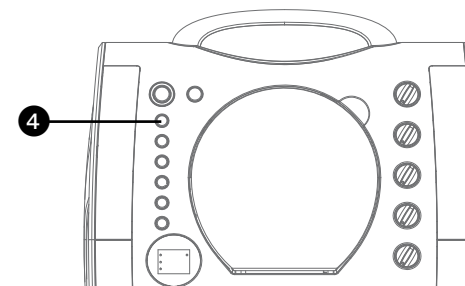
2 Sollevare lo sportello del CD e inserire un CD o un CD+G premendo delicatamente sul perno centrale. Chiudere poi lo sportello CD.

Nota:

- **Cos'è un CD+G?**
Un CD+G (CD + Graphics) è il formato standard della maggior parte dei dischi karaoke, che farà apparire le parole sullo schermo.
- Non inserire mai oggetti diversi dai CD nel vano, poiché i corpi estranei potrebbero danneggiare l'unità.
- Se non vi è inserito alcun disco, sul display apparirà la scritta "No".
- Se collegata ad un televisore e/o un'altra sorgente audio, regolare il volume dell'unità esterna utilizzando il proprio controllo del volume.



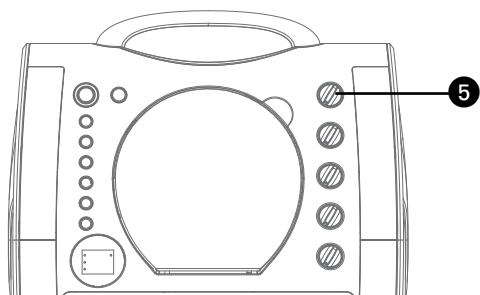
3 Premere ripetutamente il tasto **FUNCTION** per selezionare la modalità CDG; cercando il disco, apparirà prima "--" e poi il numero totale di brani. Quando si inserisce un disco CDG, il led CDG si illuminerà.



4 Premere il pulsante **PLAY/PAUSE** per avviare la riproduzione; se si ascolta un file CD+G, sullo schermo della TV (se collegato) compariranno immagini e testi e il led PLAY/PAUSE verrà illuminato.

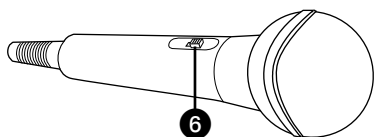
Funzionamento

Riproduzione di un CDG (Continua)



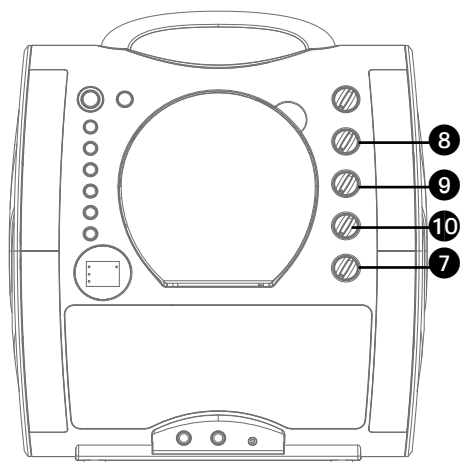
5 Regolare il volume ad un livello confortevole utilizzando il pulsante **MASTER VOLUME**.

6 Collegare un microfono come mostrato alla pagina E5 e far scorrere l'interruttore **ON/OFF** sul microfono in posizione ON.



7 Regolare il pulsante **VOLUME MIC** a piacimento. Verrà così aumentato il volume di entrambi i microfoni.

8 Ruotare il tasto **ECHO** per aggiungere un effetto eco alla propria voce. Girare verso MAX per aumentare l'effetto eco.



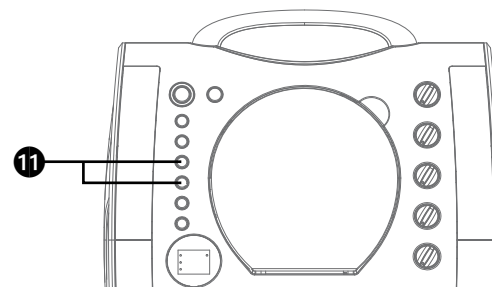
9 AUTO VOICE CONTROL può essere attivato girando il pulsante **AVC**. Più alto è il livello impostato di questo pulsante, tanto più la voce sulla registrazione multiplex verrà silenziata quando il cantante inizia a cantare attraverso il microfono. Quando il cantante si ferma, la voce sulla registrazione multiplex tornerà alla normalità.

10 Girare il pulsante **BALANCE** in senso orario per sentire la musica e la voce registrata da una registrazione multiplex o antiorario per sentire la musica solo da una registrazione multiplex.

Nota: Per utilizzare il pulsante **BALANCE**, bisogna utilizzare un disco CD+G, altrimenti funzionerà come un pulsante Bilanciamento standard.

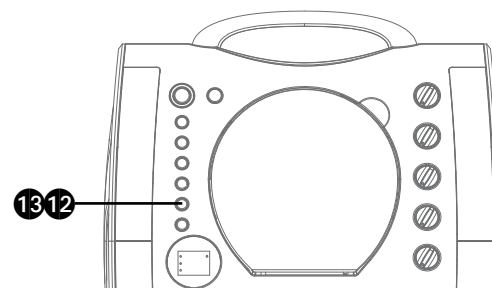
Funzionamento

Riproduzione di un CDG (Continua)



11 **SKIP:** Andare avanti o indietro di un brano premendo il tasto **Skip** **⏮/Skip** **⏭**.

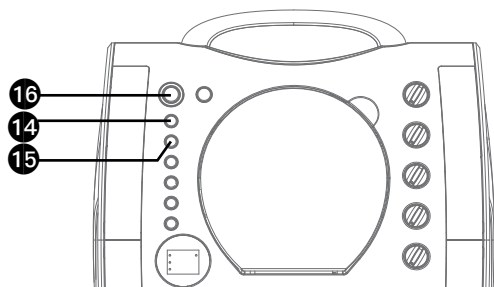
12 **REPEAT:** Durante la riproduzione, premere il tasto **PROGRAM/REPEAT** una volta per riprodurre ripetutamente il brano selezionato; il led REPEAT lampeggerà. Premere il tasto **PROGRAM/REPEAT** una seconda volta per riprodurre ripetutamente l'intero CD; il led **REPEAT** sarà illuminato permanente. Premerlo nuovamente per cancellare la funzione Repeat, il led REPEAT si spegne.



13 **PROGRAM:** È possibile programmare fino a 20 brani su ogni CD per la riproduzione in qualsiasi ordine desiderato. In modalità Stop, premere il tasto **PROGRAM/REPEAT**; il led PROGRAM lampeggerà e comparirà "00". Selezionare la prima traccia utilizzando i tasti **Skip** **⏮/Skip** **⏭**. Premere nuovamente il tasto **PROGRAM/REPEAT** per confermare l'inserimento. Dopo aver selezionato le tracce desiderate, il display visualizza 01, 02, ecc riconoscendo che le tracce selezionate sono state programmate e l'indicatore di PROGRAMMA si accende rosso permanente. Ripetere per impostare 20 tracce nella memoria. Premere quindi il tasto **PLAY/PAUSE** per avviare la riproduzione.

Funzionamento

Riproduzione di un CDG (Continua)



Nota:

- Premere il tasto **STOP** DUE VOLTE per interrompere e cancellare il programma.

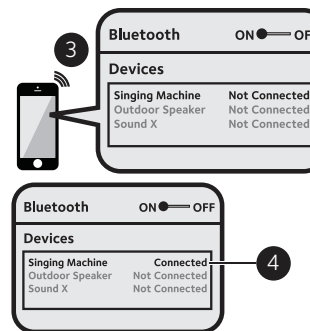
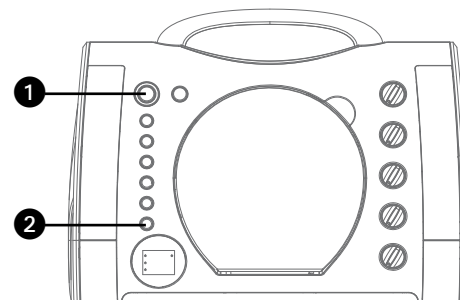
14 PAUSE: Durante la riproduzione, se si desidera interrompere momentaneamente il disco, premere il tasto **PLAY/PAUSE**; il led PLAY/PAUSE lampeggerà. Premere nuovamente per riprendere la riproduzione normale.

15 Premere il tasto **STOP** per fermare la riproduzione.

16 Premere il tasto **ON/STANDBY** per spegnere l'unità.

Funzionamento

Utilizzo di un Dispositivo Bluetooth



1 Collegare l'unità così come descritto in precedenza. Premere il tasto di alimentazione **ON/STANDBY** per accendere l'unità.

2 Premere ripetutamente il tasto **FUNCTION** per selezionare il Bluetooth; "bt" lampeggerà sullo schermo poiché l'unità cerca automaticamente e associati ai dispositivi Bluetooth associati in precedenza (se associati in precedenza). Se non vi sono dispositivi associati in precedenza, collegare come mostrano nella fase successiva.

Nota: È inoltre possibile premere il tasto **PLAY/PAUSE/PAIR** per scollegare eventuali dispositivi associati per associare un altro dispositivo.

3 Attivare l'opzione Bluetooth del dispositivo nelle impostazioni per la ricerca di un dispositivo raggiungibile con un segnale Bluetooth. Selezionare "**Singing Machine**" dai risultati del dispositivo nel menu Bluetooth.

Nota: Per istruzioni dettagliate, consultare il manuale d'istruzione del dispositivo Bluetooth.

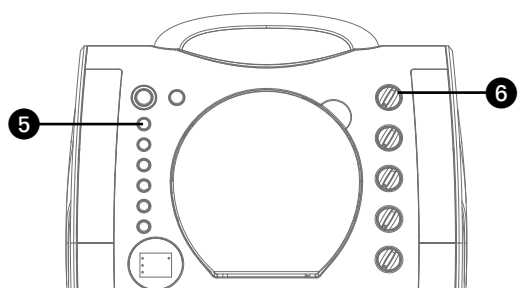
4 "bt" si illuminerà permanentemente sul display. Il led Bluetooth si illuminerà e si sentirà un suono di riuscita dell'abbinamento.

Nota:

- Se il dispositivo Bluetooth richiede un codice di accesso durante il processo di associazione, inserire "0000" per la connessione.
- Su alcuni dispositivi Bluetooth, una volta completata l'associazione, selezionare il dispositivo Bluetooth come "Usa come Dispositivo Audio" o simile.
- Se dopo la realizzazione dell'associazione la connessione è persa, verificare che la distanza tra l'altoparlante e il dispositivo Bluetooth non superi 10 m/30 piedi.
- "Bluetooth" lampeggerà sullo schermo TV e smetterà di lampeggiare in seguito alla connessione riuscita.

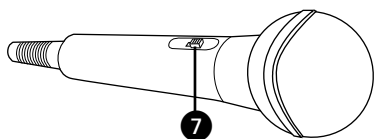
Funzionamento

Utilizzo di un Dispositivo Bluetooth (Continua)



5 Per controllare il dispositivo Bluetooth da questa unità, premere il tasto **PLAY/PAUSE** per avviare la riproduzione. Premere il tasto **PLAY/PAUSE** durante la riproduzione per interrompere il brano.

6 Regolare il volume ad un livello confortevole utilizzando il pulsante **MASTER VOLUME** sull'unità e il tasto Volume sul dispositivo Bluetooth.



7 Collegare un microfono come mostrato alla pagina E5 e far scorrere l'interruttore **ON/OFF** sul microfono in posizione ON.

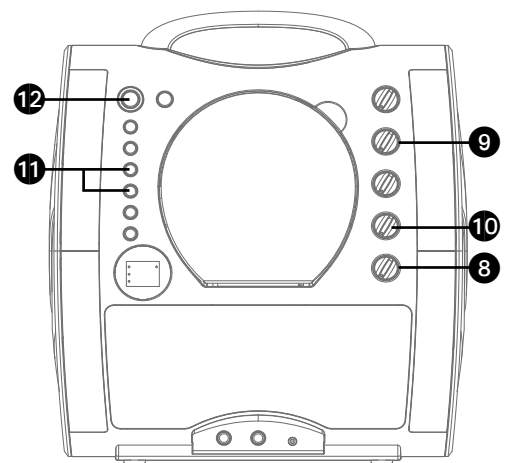
8 Regolare il pulsante **MIC VOLUME** a piacimento. Verrà così aumentato il volume di entrambi i microfoni.

9 Ruotare il pulsante **ECHO** per aggiungere un effetto eco alla voce. Girare verso MAX per aumentare l'effetto eco.

10 Regolare l'equilibrio tra gli altoparlanti utilizzando il tasto **BALANCE**.

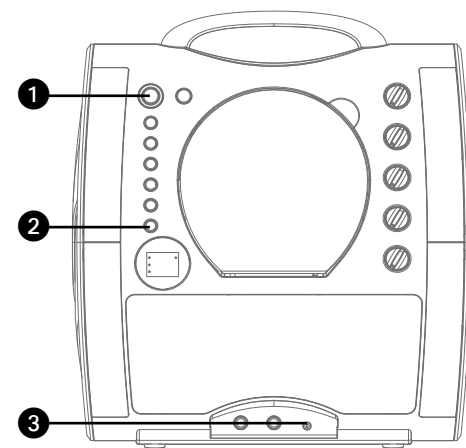
11 **SKIP:** Andare avanti o indietro di un brano premendo il tasto **Skip** **⏮/Skip** **⏭**.

12 Premere il tasto **ON/STANDBY** per spegnere l'unità.



Funzionamento

Utilizzo del Jack AUX IN.



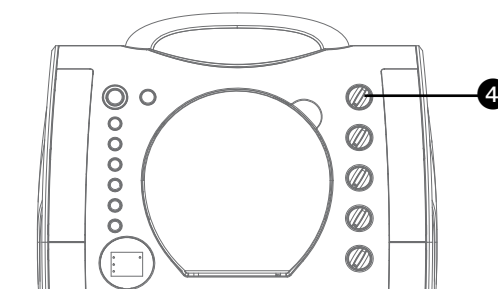
1 Collegare l'unità così come descritto in precedenza. Premere il tasto alimentazione **ON/STANDBY** per accendere l'unità.

2 Premere ripetutamente il pulsante **FUNCTION** per selezionare la modalità AUX IN; sul display comparirà "AU".

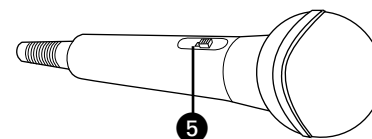
3 Collegare l'unità esterna al Jack AUX IN sulla parte anteriore di questa unità. Collegando un'unità esterna permetterà al file audio di essere riprodotto attraverso la Singing Machine. .

Note:

- Si consiglia vivamente di impostare il volume sull'unità ausiliare a 1/3 o più basso per evitare distorsioni.
- Quando sull'unità di utilizza un dispositivo esterno, non è possibile saltare dei file/ brani.



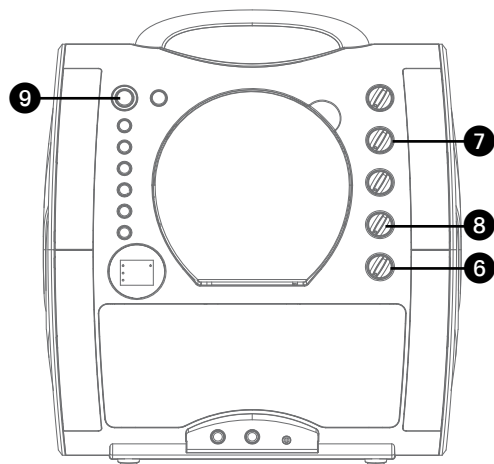
4 Regolare il volume utilizzando il tasto **MASTER VOLUME** su questa unità o sul tasto volume del dispositivo esterno.



5 Collegare i microfoni così come mostrato alla pagina E5. Scorrere l'interruttore **ON/OFF** sul microfono in posizione ON.

Funzionamento

Utilizzo del Jack AUX IN (Continua)



- 6 Regolare il pulsante **VOLUME MIC** a piacimento. Verrà così aumentato il volume di entrambi i microfoni.
- 7 Ruotare il pulsante **ECHO** per aggiungere un effetto eco alla voce. Girare verso MAX per aumentare l'effetto eco.
- 8 Regolare l'equilibrio tra gli altoparlanti utilizzando il tasto **BALANCE**.
- 9 Premere il tasto **ON/STANDBY** per spegnere l'unità.

Modalità risparmio energetico (Auto Power System - APS)

L'unità entrerà automaticamente in modalità stand-by dopo 15 minuti nelle seguenti situazioni:

1. Non vi è un CD nel compartimento o la riproduzione del CD è stata arrestata;
2. La riproduzione del lettore musicale esterno è stata arrestata, ma il cavo audio è ancora collegato al jack AUX IN.
3. La musica Bluetooth è stata interrotta.

L'unità può essere fatta ripartire premendo il tasto **ON/STANDBY** una volta. APS è per il risparmio energetico.

Guida alla risoluzione dei problemi

Qualora l'unità dovesse mostrare dei problemi, eseguire le seguenti verifiche prima di rivolgersi all'assistenza:

Alimentazione mancante

- L'alimentazione non è accesa; premere il tasto **ON/STANDBY** per accendere l'unità.
- Verificare che l'adattatore CA sia collegato in sicurezza nella parte posteriore dell'unità.
- Collegare l'unità ad una presa distinta.

Nessun suono - Generale

- Il Master Volume è impostato al minimo; aumentare il volume.
- Non è stata selezionata la Funzione corretta; selezionare utilizzando i tasti **FUNCTION**.
- Se si utilizza un dispositivo esterno, alzare il volume.

Nessun suono - Se collegato ad una TV

- Il volume della TV è muto o troppo basso.
- Nel menu della TV non è stata selezionata la fonte corretta (di solito AV).

I testi non compaiono sullo schermo della TV

- Se collegato ad una TV, la presa video non è collegata correttamente. vedere la pagina 15.
- Se collegato ad una TV, selezionare la fonte corretta sulla TV (di solito AV).
- Il file/brano riprodotto non è un brano registrato con testo. Questi sono gli unici file che permettono di visualizzare i testi sullo schermo della TV.
- Non comparirà nulla sullo schermo della TV utilizzando AUX IN o Bluetooth.

Nessun suono dal microfono

- Verificare che il microfono sia collegato fermamente al jack MIC 1 o MIC 2.
- Verificare che l'interruttore **ON/OFF** sul microfono sia impostato in posizione ON.
- Verificare che il **VOLUME MIC** non sia impostato ad un livello troppo basso.
- Il **MASTER VOLUME** è impostato sul minimo; aumentare il volume.
- Regolare il tasto **Echo** oltre il punto medio sulla Singing Machine.

Il dispositivo Bluetooth non può essere associato o collegato all'unità.

- Non è stata attivata la funzione Bluetooth sul proprio dispositivo; si veda la pagina I11 o consultare il manuale dell'utente del dispositivo Bluetooth.
- Il sistema non è in modalità accoppiamento; premere il pulsante **Pair** per riavviare l'accoppiamento.

La musica non gioca sull'unità dopo il collegamento riuscito con Bluetooth.

- Assicurarsi che il dispositivo Bluetooth sia in grado di supportare il profilo Bluetooth A2DP.
- Il volume del dispositivo Bluetooth esterno è impostato su basso o disattivato; aumentare il volume a piacimento.

Caratteristiche

AUDIO

POTENZA USCITA (MASSIMA) 2 Watt (RMS)
USCITA IMPEDENZA 8 Ohm

SEZIONE LETTORE CD

FREQUENZA RISPOSTA 100 Hz - 20 kHz
RAPPORTO SEGNALE - RUMORE 50 dB
NUMERO DI PROGRAMMI 20 Passi Programmazione Accesso Casuale
SISTEMA DI CAMPIONAMENTO 8 volte nel corso del campionamento

BLUETOOTH

Versione Bluetooth V4.2
Copertura Fino a 10 metri / 30 piedi in linea d'aria

AUX IN SEZIONE 3,5 mm Jack Stereo Cuffie

MICROFONO -74db 600 Ohm Impedenza con 6,3 mm Microfono Dinamico

SEZIONE ALIMENTAZIONE CC 12V \equiv 1A \ominus \oplus (8 x "C" Batterie)
(Batterie non incluse)

DIMENSIONI (AxLxP) 36,6 X 33,6 X 18,1 cm

PESO 1,82 kg

Le specifiche sono tipiche. Le singole unità potrebbero variare e sono soggetti ad un continuo miglioramento, senza preavviso e/o senza incorrere in alcun obbligo.

Il marchio scritto e il logo Bluetooth® sono marchi registrati di proprietà di Bluetooth SIG, Inc. e l'uso di tali marchi da parte di The Singing Machine Company, Inc. è regolato da licenza. Altri marchi e nomi commerciali sono di proprietà dei rispettivi titolari.

Visit Our Website: www.singingmachine.com
Visite nuestro sitio web: www.singingmachine.com
Visitez notre site internet : www.singingmachine.com
Besuchen Sie unsere Webseite: www.singingmachine.com
Visitate il nostro sito web: www.singingmachine.com

Singing Machine is distributed in the UK and Europe by:
Singing Machine est distribué au Royaume-Uni et en Europe par :
Singing Machine es distribuida en GB y Europa por:
Singing Machine wird im Vereinigten Königreich und in Europa verteilt durch:
Singing Machine è distribuito nel Regno Unito e in Europa da:

PDT Limited 1st Floor, Unit 4b,
Greengate Industrial Estate, White Moss View,
Middleton, Manchester, M24 1UN

Copyright © 2017 All Rights Reserved.
Derechos de autor © 2017 Todos los derechos reservados.
Copyright © 2017 Tous droits réservés.
Copyright © 2017 Alle Rechte vorbehalten.
DereCopyright © 2017 Tutti i diritti riservati.

PRINTED IN CHINA
IMPRESO EN CHINA
IMPRIMÉ EN CHINE
IN CHINA GEDRUCKT
STAMPATO IN CINA
343BT-1708-ESFIG03-PDT