

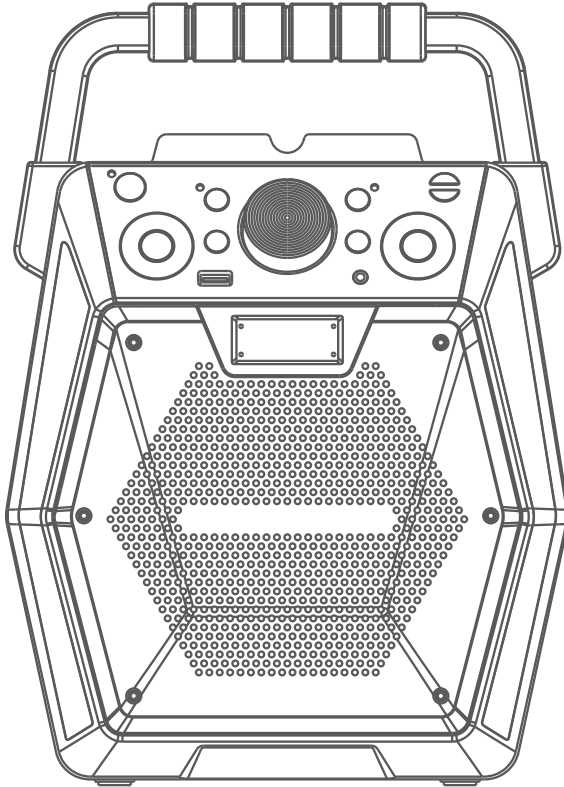


singing machine®

creating Joy through music™

SML2300

INSTRUCTION MANUAL



www.singingmachine.com

The Singing Machine® is a registered trademark of The Singing Machine Co., Inc.

Warnings

	CAUTION RISK OF ELECTRIC SHOCK DO NOT OPEN	
CAUTION: TO REDUCE THE RISK OF ELECTRIC SHOCK, DO NOT REMOVE COVER (OR BACK). NO USER-SERVICEABLE PARTS INSIDE. REFER SERVICING TO QUALIFIED SERVICE PERSONNEL.		



DANGEROUS VOLTAGE: The lightning flash with arrowhead symbol within an equilateral triangle is intended to alert the user to the presence of uninsulated dangerous voltage within the product's enclosure that may be of sufficient magnitude to constitute a risk of electric shock to persons.



ATTENTION: The exclamation point within an equilateral triangle is intended to alert the user to the presence of important operating and maintenance (servicing) instructions in the literature accompanying this product.

DRIPPING WARNING: This product shall not be exposed to dripping or splashing, and no objects filled with liquids, such as vases, shall be placed on the product.

VENTILATION WARNING: The normal ventilation of the product shall not be impeded for intended use.

THIS PRODUCT COMPLIES WITH DHHS RULES 21 CFR CHAPTER 1, SUBCHAPTER J APPLICABLE AT DATE OF MANUFACTURED.

Warning: Changes or modifications to this unit not expressly approved by the party responsible for compliance could void the user's authority to operate the equipment.

Warnings:

- This CD player employs a laser light beam. Only a qualified service person should remove the cover or attempt to service this device, due to possible eye injury.
- The use of controls, adjustments, or procedures other than those specified herein might result in hazardous radiation exposure.
- The apparatus shall be used in an open area.

CAUTION!

Invisible laser radiation when open and interlocks defeated. Avoid exposure to beam.

CAN ICES-3(B)/NMB-3(B)

CAUTION: TO PREVENT ELECTRIC SHOCK, MATCH WIDE BLADE OF PLUG TO WIDE SLOT AND FULLY INSERT.

WARNING: TO PREVENT FIRE OR SHOCK HAZARD, DO NOT EXPOSE THIS UNIT TO RAIN OR MOISTURE.

FCC WARNING: This equipment may generate or use radio frequency energy. Changes or modifications to this equipment may cause harmful interference unless the modifications are expressly approved in the instruction manual. The user could lose the authority to operate this equipment if an unauthorized change or modification is made.

This device complies with part 15 of the FCC Rules. Operation is subject to the following two conditions: (1) This device may not cause harmful interference, and (2) this device must accept any interference received, including interference that may cause undesired operation.

NOTE: This equipment has been tested and found to comply with the limits for a Class B digital device, pursuant to part 15 of the FCC Rules. These limits are designed to provide reasonable protection against harmful interference in a residential installation. This equipment generates, uses and can radiate radio frequency energy and, if not installed and used in accordance with the instructions, may cause harmful interference to radio communications. However, there is no guarantee that interference will not occur in a particular installation. If this equipment does cause harmful interference to radio or television reception, which can be determined by turning the equipment off and on, the user is encouraged to try to correct the interference by one or more of the following measures:

- Reorient or relocate the receiving antenna.
- Increase the separation between the equipment and receiver.
- Connect the equipment into an outlet on a circuit different from that to which the receiver is connected.
- Consult the dealer or an experienced radio/TV technician for help.
- The rating information is located at the back of the unit.

INDUSTRY CANADA NOTICE:

This device complies with Industry Canada license-exempt RSS standard(s). Operation is subject to the following two conditions: (1) This device may not cause interference, and (2) This device must accept any interference, including interference that may cause undesired operation of the device.

Le présent appareil est conforme aux CNR d'Industrie Canada applicables aux appareils radio exempts de licence. L'exploitation est autorisée aux deux conditions suivantes: (1) l'appareil ne doit pas produire de brouillage, et (2) l'utilisateur de l'appareil doit accepter tout brouillage radioélectrique subi, même si le brouillage est susceptible d'entraîner le fonctionnement. Cet équipement doit être installé et utilisé à une distance minimale de 20 cm entre le radiateur et votre corps.

Important Safety Information

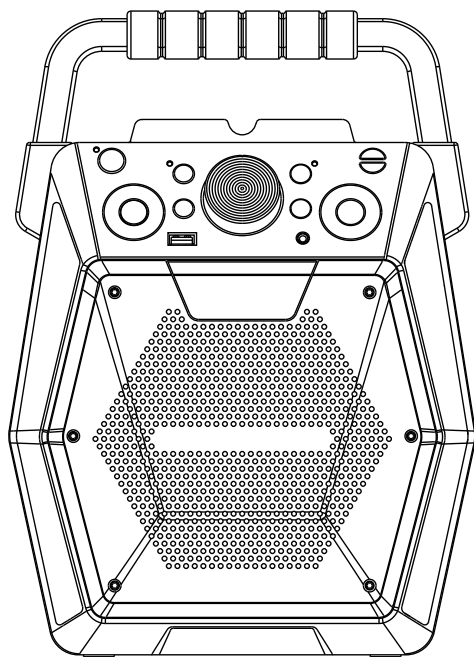
1. Read these Instructions.
2. Keep these Instructions.
3. Heed all Warnings.
4. Follow all Instructions.
5. Do not use this apparatus near water.
6. Clean only with a dry cloth.
7. Do not block any of the ventilation openings. Install in accordance with the Manufacturer's instructions.
8. Do not install near any heat sources such as radiators, heat registers, stoves, or other apparatus (including amplifiers) that produce heat.
9. Do not defeat the safety purpose of the polarized or grounding-type plug. A polarized plug has two blades with one wider than the other. A grounding type plug has two blades and a third grounding prong. The wide blade or the third prong are provided for your safety. When the provided plug does not fit into your outlet, consult an electrician for replacement of the obsolete outlet.
10. Protect the power cord from being walked on or pinched particularly at plugs, convenience receptacles, and the point where they exit from the apparatus.
11. Only use attachments/accessories specified by the manufacturer.
12. Use only with a cart, stand, tripod, bracket, or table specified by the manufacturer, or sold with the apparatus. When a cart is used, use caution when moving the cart/apparatus combination to avoid injury from tip-over.
13. Unplug this apparatus during lightning storms or when unused for long periods of time.
14. Refer all servicing to qualified service personnel. Servicing is required when the apparatus has been damaged in any way, such as power-supply cord or plug is damaged, liquid has been spilled or objects have fallen into the apparatus, the apparatus has been exposed to rain or moisture, does not operate normally, or has been dropped.
15. **WARNING:** To reduce the risk of fire or electric shock, do not expose this apparatus to rain or moisture. Do not place objects filled with water, such as a vase, on the apparatus.
16. The AC mains plug is used as the power disconnect device and it should remain readily accessible and operable during intended use. In order to completely disconnect the apparatus from power, the mains plug should be completely removed from the AC outlet socket.
17. **CAUTION:** To reduce the risk of fire or explosion, do not expose batteries to excessive heat such as sunshine, fire or other heat sources.

PORTABLE CART WARNING
(symbol provided by RETAC)

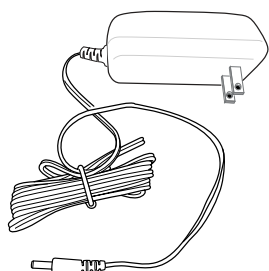


Included

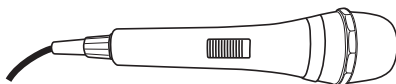
What's in the box.



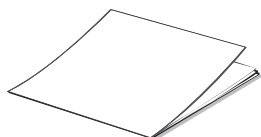
Main Unit



AC Adapter



Wired Microphone

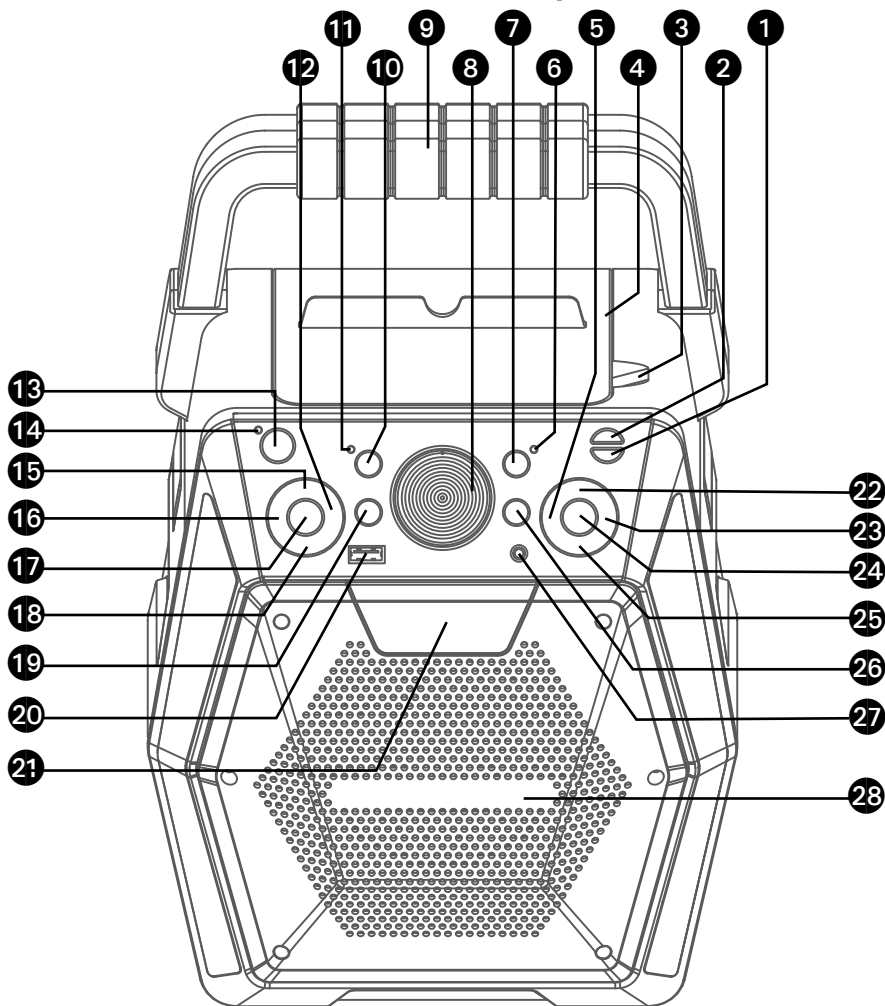


Manual



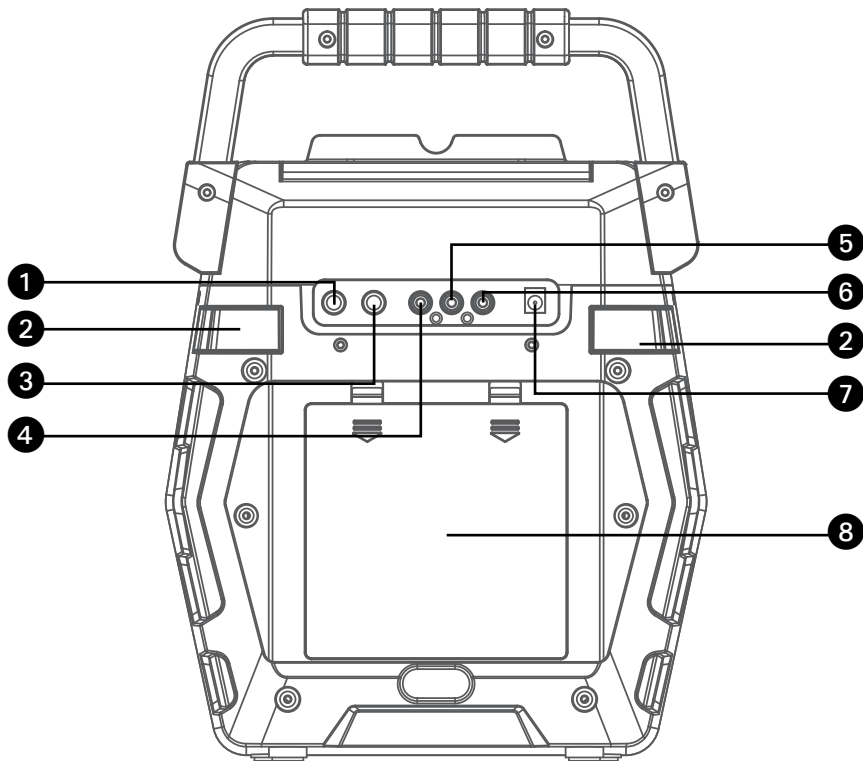
Audio/Video Cables

Location of Controls (Top/Front)



- | | | | |
|----------------------------------|---------------------------|--------------------------------|-----------------------------------|
| 1. VOICE EFFECTS DOWN Button | 8. MASTER VOLUME Control | 15. MIC VOL + Button | 23. > (Navigation / Skip +)Button |
| 2. VOICE EFFECTS UP Button | 9. Handle | 16. SKIP +10 Button | 24. ENTER/▶ (Play/Pause) Button |
| 3. Open/Close Tab | 10. PAIR Button | 17. FUNCTION Button | 25. KEY -/∨ (Navigation) Button |
| 4. CD Compartment | 11. Bluetooth indicator | 18. MIC VOL - Button | 26. STOP■ Button |
| 5. < (Navigation / Skip -)Button | 12. PROGRAM/REPEAT Button | 19. LIGHTS Button | 27. LINE IN Jack |
| 6. Record indicator | 13. ON/STANDBY Button | 20. USB slot | 28. Speaker |
| 7. RECORD Button | 14. Power indicator | 21. Display | |
| | | 22. KEY +/∧ (Navigation)Button | |

Location of Controls (Rear)



- 1. Mic 1 Jack
- 2. Mic Holders
- 3. Mic 2 Jack
- 4. Video Out Jack

- 5. Right Audio Out Jack
- 6. Left Audio Out Jack
- 7. DC In Jack
- 8. Battery Compartment

Location of Controls (Display)

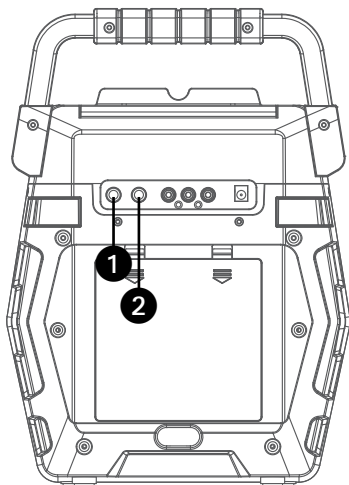


- 1. CDG Indicator
- 2. Display
- 3. Repeat Indicator

- 4. PLAY/PAUSE Indicator
- 5. Program Indicator

Connection

Connecting the Microphone(s)

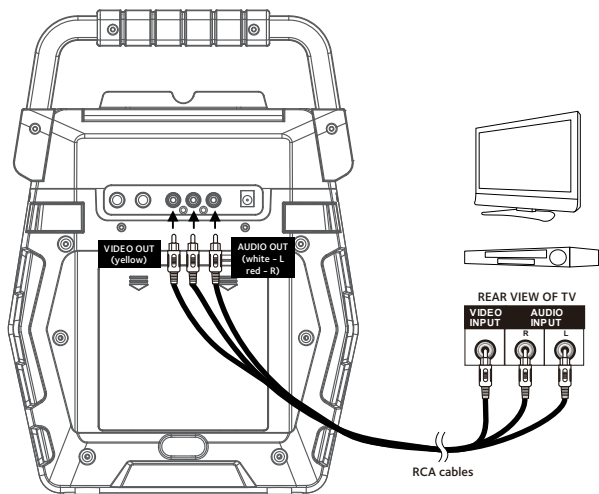


Microphones:

Connect a microphone into MIC jack 1 **1** as well as MIC jack 2 **2** (when desired).

Note: Do not drop or tap the Mic as damage to the Mic or speakers may occur. Do not twirl the microphone by cord as it will cause damage to the encased wiring.

Connecting the Unit to a TV



To output the video, lyrics and audio to your TV, perform the following steps:

1 Connect the RCA video cable (Yellow) to the VIDEO OUT jack and the audio cables (White and Red) to the AUDIO OUT jacks located on the back of the Singing Machine.

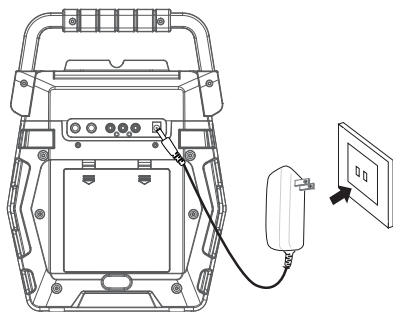
2 Connect the opposite end of the RCA video cable (Yellow) to the VIDEO IN jack and the audio cables (White and Red) to the AUDIO IN on your TV.

Notes:

- This unit can be used with or without a TV, but it is highly recommended to use a TV in order to utilize all the features.
- Also refer to the TV's User Guide.
- To see the lyrics on the screen, you must use a CD+G disc or MP3+G files.

Connection

Connecting to AC Power

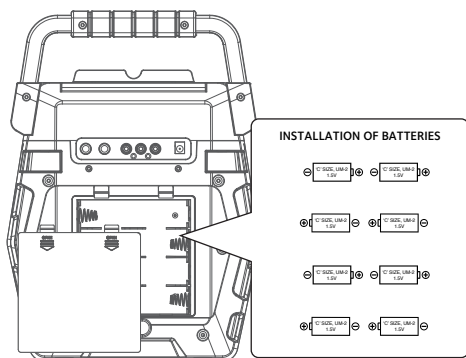


Insert the AC power cord into a conveniently located AC outlet having 120V AC, 60Hz.

Note:

Make all connections before connecting to AC power.

Inserting Batteries



1 Slide the battery door in the direction the arrows to reveal the battery compartment. Insert eight (8) "C" size alkaline batteries (not included) as indicated on the diagram.

2 Replace cover tightly before operating.

Battery Precautions

The precautions below should be followed when using batteries in this device:

1. Use only the size and type of batteries specified.
2. Be sure to follow the correct polarity when installing the batteries as indicated in the battery compartment. Reversed batteries may cause damage to the device.
3. Do not mix different types of batteries together (e.g. Alkaline and Carbon Zinc) or old batteries with fresh ones.
4. If the device is not to be used for a long period of time, remove the batteries to prevent damage or injury from possible battery leakage.
5. Do not try to recharge batteries not intended to be recharged, they can overheat and rupture. (Follow battery manufacturer's directions.)
6. Rechargeable batteries are to be removed from the product before being charged.
7. Rechargeable batteries are only to be charged under adult supervision.
8. Exhausted batteries are to be removed from the product.
9. Batteries shall not be exposed to excessive heat such as sunshine, fire or the like.

Energy Saving (Auto Power System-APS)

The unit will automatically enter the Standby mode after 20 minutes in the following situations:

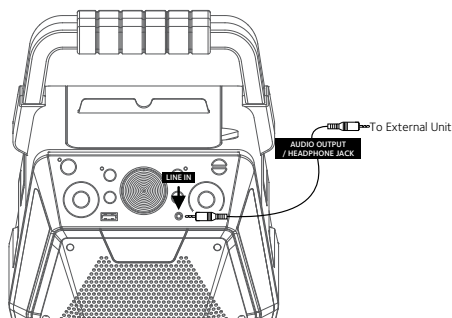
1. There is no audio playback on CD/USB/Bluetooth/Line in mode;
2. The playback of external music player had been stopped but the audio cable is still plugged into the LINE IN jack.

The unit can be resumed to turn on by pressing the **ON/STANDBY** button once.

APS is for energy saving purposes.

Operation

Connecting to Line In Jack

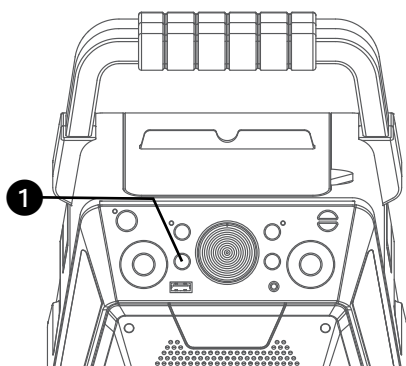


Connect an external device by using an appropriate cable (3.5mm audio cable not included) as shown.

Note:

See page E19 to select and use the Line In function.

Disco Lights

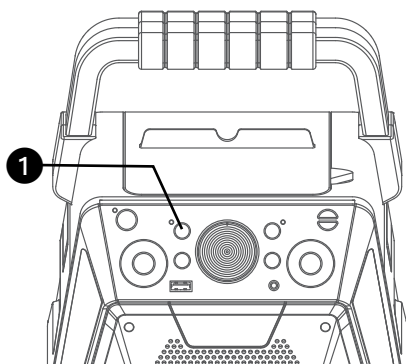



When the unit is turned on, the Light mode 1 is automatically activated. The lights will light up and will synchronize with sound when you speak or sing into the microphone.

Press the **LIGHTS** button for Light mode 2 which will display the light show but will not respond to the microphone.

Press the **LIGHTS** button again to turn off the Lights.

Bluetooth Mode



Press the  button to easily set the machine into pairing mode.

Note: See page E16 for Bluetooth operation instructions.

Operation

Playing a CD

This unit is designed to play CDs and CDGs bearing the identification logo respectively. If the disc does not conform to the standard, it may not play properly.



Notes:

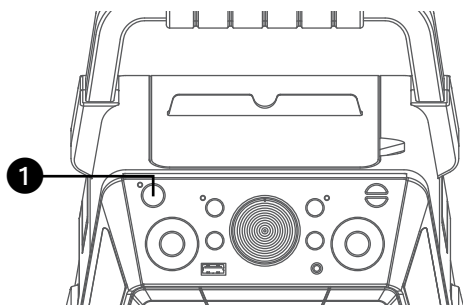
• What is a CD+G?

A CD+G (CD+Graphics) is the standard format for most karaoke discs that will display the words on the screen.

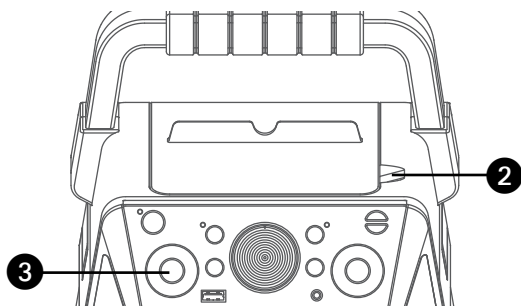
• What is an MP3+G?

MP3+G is the newest format for karaoke music utilizing the MP3's small file size. It will display the words on the screen. See section "Where to Download MP3+G Files" to order and download MP3+G files.

- Never place anything other than a CD in the compartment, as foreign objects can damage the unit.
- If no disc is inserted, "no" will appear on the display.



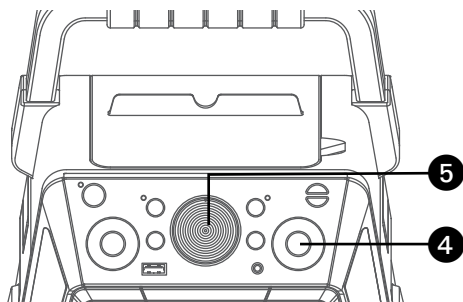
- 1 Connect the unit as described previously; it should be connected to a TV. Press the **ON/STANDBY** button to turn the unit on; the power indicator will light.



- 2 Lift the CD door and insert a CD (with standard or MP3+G files) or a CD+G by gently pressing it on the center spindle. Then close the CD door.
- 3 Repeatedly press the **FUNCTION** button to select the CDG/CD mode; "---" will blink when searching the disc and then the total number of tracks will appear.

Operation

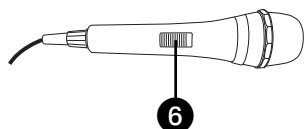
Playing a CD (Continued)



4 Press the **ENTER/▶||** button to start playback; if listening to a CD+G file, the image and lyrics will appear on the TV screen (if connected). When a CDG disc is inserted, the CDG indicator will light.

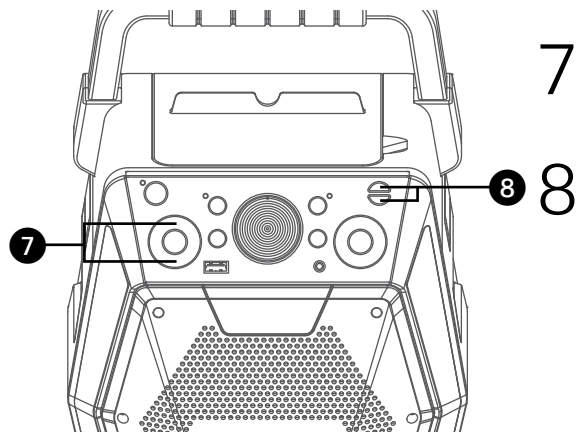
5 Adjust the volume to a comfortable level using the **MASTER VOLUME** control.

NOTE: If connected to a TV or other audio source, adjust the volume of the TV using its own volume control.



6 Connect microphone(s) and slide the **ON/OFF** switch on the microphone to the ON position.

7 Press the **MIC VOLUME +** or **-** button as desired, which will affect both microphones.



8 **SING-ALONG WITH BUILT-IN VOICE CHANGERS**
There are 6 built-in voice changers in this unit. Press the **VOICE EFFECTS UP** or **DOWN** button to select different vocal effects.

Display will show:

EF0 - NONE

EF1 - ECHO

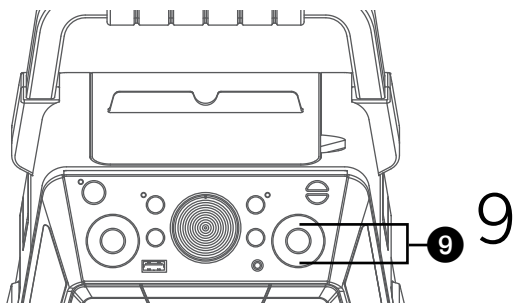
EF2 - FEMALE

EF3 - MALE

EF4 - CHIPMUNK

EF5 - ROBOT

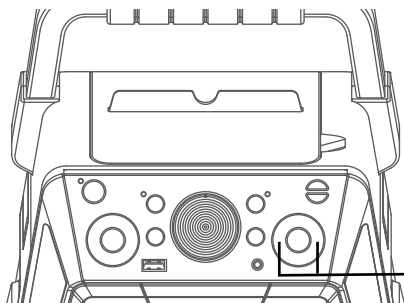
EF6 - RADIO



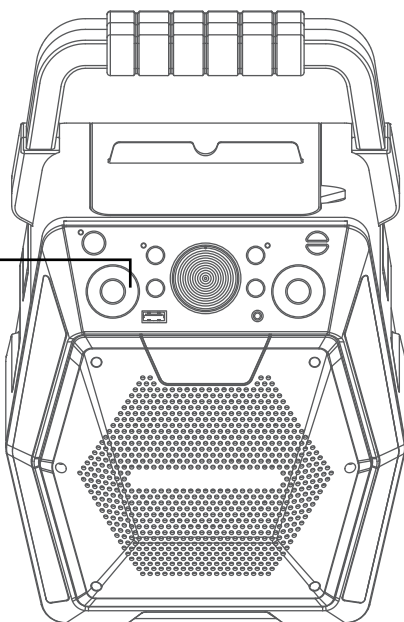
9 Adjust the Key using the **KEY +/ ^** and **KEY -/ v** buttons to obtain the best key for the playing track.

Operation

Playing a CD (Continued)

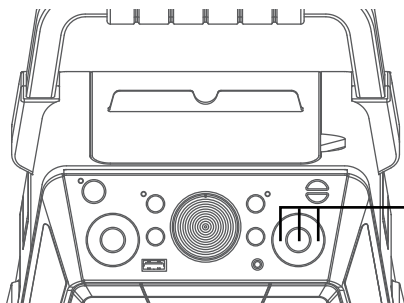


10 SKIP: Advance or go back one track by pressing the **< (Navigation < / Skip -)** button or **> (Navigation > / Skip +)** button respectively.



11 REPEAT: During playback, press the **PROG/REP** button once to repeatedly play the selected song; the Repeat indicator will blink. Press the **PROG/REP** button a second time to repeatedly play the whole CD; the Repeat indicator will light solid. Press it again to cancel Repeat function, the Repeat indicator will turn off.

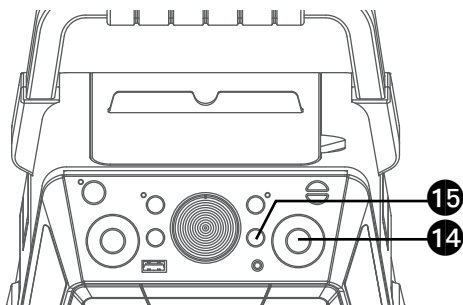
12 PROGRAM: You can program up to 20 tracks on any disc for playback in any desired order. While in the Stop mode, press the **PROG/REP** button; the Program indicator will blink and "P01" will appear on the display indicating the first program is ready to program.



13 PROGRAM: Select the first track using the **< (Navigation < / Skip -)** and **> (Navigation > / Skip +)** buttons. Press the **PROG/REP** button again to confirm the entry. Repeat to set up to 20 tracks into memory. When done, press the **ENTER/▶▶** button to start playback.

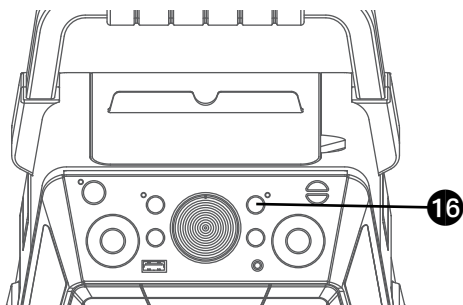
Operation

Playing a CD (Continued)



14 PAUSE: During playback, if you wish to pause the disc momentarily, press the **ENTER/▶||** button; the PLAY/PAUSE indicator will blink. Press again to resume normal playback.

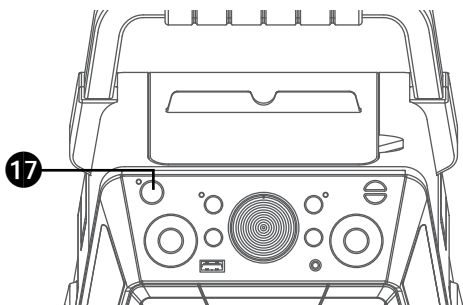
15 Press the **STOP ■** button to stop playback.



16 RECORD YOUR VOCAL PERFORMANCE:
To record your singing as well as the music, press the **REC** button. Recording will begin and the record indicator will light solid.
When done recording, press the **REC** button again; the record indicator will turn off.

Notes:

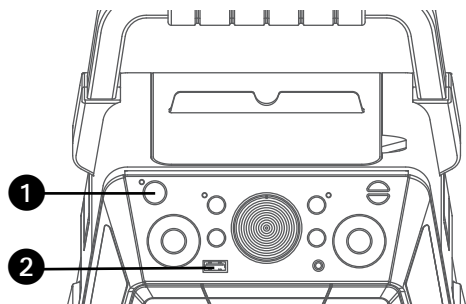
- A USB drive (not included) must be inserted into USB slot to record.
- The recorded audio file will record onto the USB drive.
- See section “Playing Songs from the USB” to play back your recorded files.



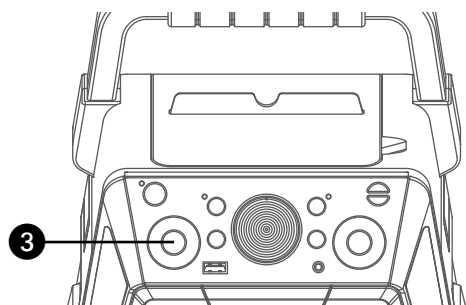
17 Press the **ON/STANDBY** button to turn the unit off; the power indicator will turn off.

Operation

Playing Songs from the USB



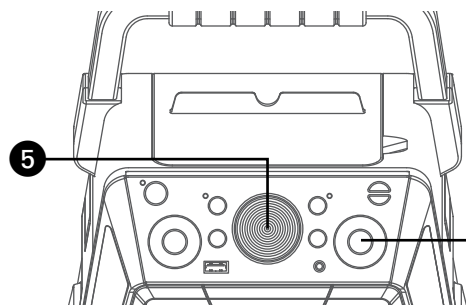
1 Connect the unit as described previously; it should be connected to a TV. Press the **ON/STANDBY** button to turn the unit on; the power indicator will turn on.



2 Insert a USB flash drive into the USB slot on the unit so it faces upward.

3 Repeatedly press the **FUNCTION** button to select the USB mode; "USB" will appear when searching the drive and then the total number of files will appear.

Note: It is highly recommended to have it connected to a TV for USB playback.



4 Press the **ENTER/▶** button to start playback; if listening to an MP3+G file, the image and lyrics will appear on the TV screen (if connected).

Notes:

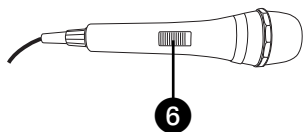
- If connected to a TV you will see the selected song and folders on the TV screen. You can navigate them using the **Navigation** buttons.
- If you recorded any audio files you can also select them using the Navigation buttons to select the REC folder on the TV screen.

5 Adjust the volume to a comfortable level using the **MASTER VOLUME** control.

Note: If connected to a TV or other audio source, adjust the volume of the TV using its own volume control.

Operation

Playing Songs from the USB (Continued)



6 Connect microphone(s) and slide the **ON/OFF** switch on the microphone to the ON position.

7 Press the **MIC VOLUME +** or **-** button as desired, which will affect both microphones.

8 SING-ALONG WITH BUILT-IN VOICE CHANGERS

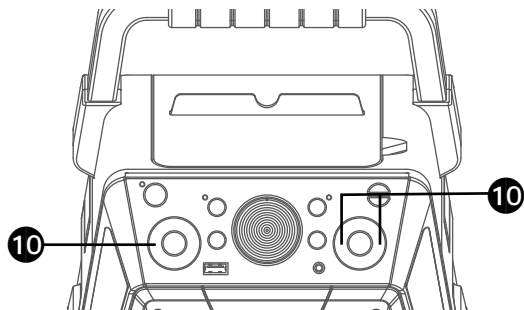
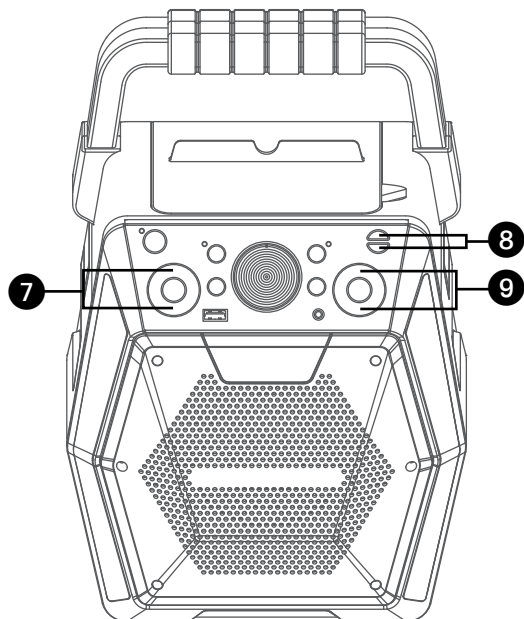
There are 6 built-in voice changers in this unit. Press the **VOICE EFFECTS UP** or **DOWN** button to select different vocal effects.

Display will show:

- EF0 - NONE
- EF1 - ECHO
- EF2 - FEMALE
- EF3 - MALE
- EF4 - CHIPMUNK
- EF5 - ROBOT
- EF6 - RADIO

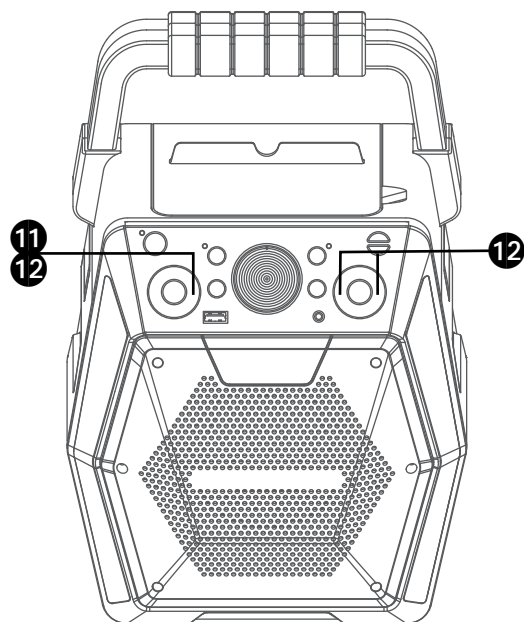
9 Adjust the Key using the **KEY +/ ^** and **KEY -/ v** buttons to obtain the best key for the playing track.

10 **SKIP:** Advance or go back one track by pressing the **< (Navigation < / Skip -)** button or **> (Navigation > / Skip +)** button respectively. You can also skip ahead 10 files/tracks using the **SKIP +10** button.



Operation

Playing Songs from the USB (Continued)



11 REPEAT: During playback, press the **PROG/REP** button once to repeatedly play the selected song; the repeat indicator will blink slowly. Press the **PROG/REP** button a second time to repeatedly play the selected folder; the repeat indicator will blink rapidly. Press a third time to repeatedly play the USB; the repeat indicator will light solid. Press it again to cancel Repeat function; the indicator will turn off.

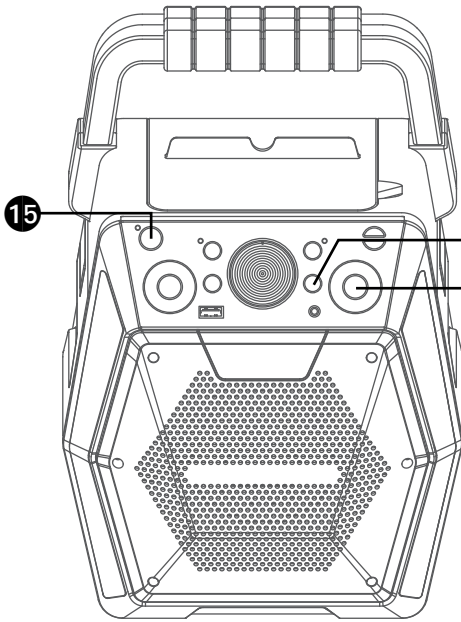
12 PROGRAM: You can program up to 20 tracks for playback in any desired order. While in the Stop mode, press the **PROG/REP** button; the Program indicator will blink and "P01" will appear on the display indicating the first program is ready to program. Select the first track using the **< (Navigation < / Skip -)** and **> (Navigation > / Skip +)** buttons. Press the **PROG/REP** button again to confirm the entry. Repeat to set up to 20 tracks into memory. When done, press the **ENTER/▶||** button to start playback.

Notes:

- Press the **STOP ■** button TWICE to stop and clear the program.
- If more than 20 tracks are attempted to be programmed, "FUL" will appear in the display.

Operation

Playing Songs from the USB (Continued)



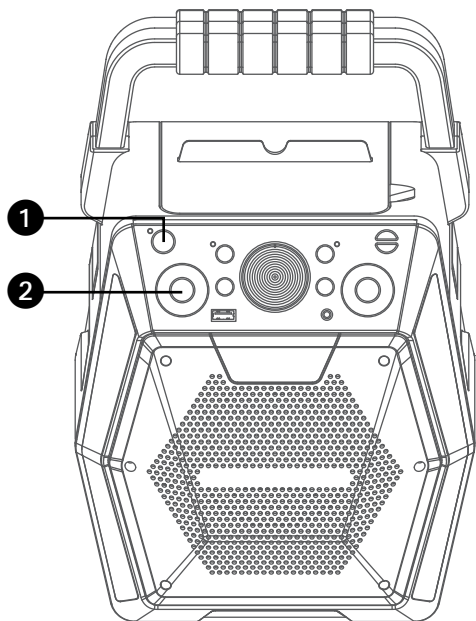
13 PAUSE: During playback, if you wish to pause the music momentarily, press the **ENTER/▶||** button; the Play/Pause indicator will blink. Press again to resume normal playback.

14 Press the **STOP ■** button to stop playback.

15 Press the **ON/STANDBY** button to turn the unit off.


Operation

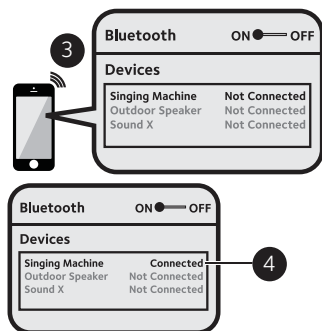
Using a Bluetooth Device




1 Connect the unit as described previously. Press the **ON/STANDBY** button to turn the unit on.

2 Repeatedly press the **FUNCTION** button to select the Bluetooth; “bt” will appear in the display. The unit automatically searches for and pairs a previously paired Bluetooth device (if previously paired). If no previously paired devices are present, you cannot find this unit on your bluetooth compatible device’s search list, connect as shown in the next step.

Note: You can also press the  button to disconnect any paired devices in order to pair another device.



3 Press the  button, the bluetooth indicator will flash alternate blue and red light. Your device’s Bluetooth option in settings to search for a discoverable device with a Bluetooth signal. Select “SINGING MACHINE” from the device results on the Bluetooth menu.

Note: Also refer to the user manual of your Bluetooth device for detailed instructions.

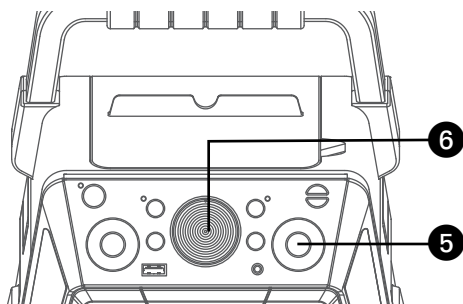
Operation

Using a Bluetooth Device (Continued)

4 The Bluetooth indicator will light solid blue and a chime will sound.

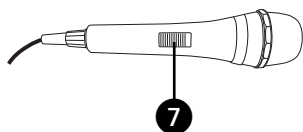
Notes:

- If your Bluetooth prompts you for a passcode during the pairing process, please enter “0000” to connect.
- On some Bluetooth devices, once pairing is complete, select your Bluetooth device as “Use as Audio Device” or similar.
- If connection is lost after successful pairing, check to make sure the distance between speaker and Bluetooth-enabled device does not exceed 30 feet/10 meters.



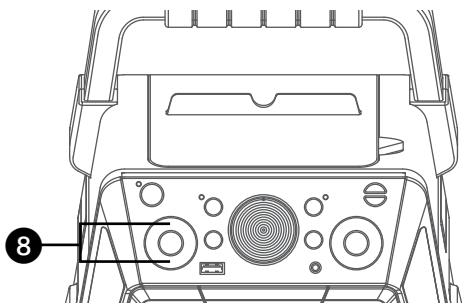
5 Start playback of your bluetooth device. Press the **ENTER/▶||** button during playback to pause the song.

6 Adjust the volume to a comfortable level using the **MASTER VOLUME** control on this unit as well as the volume on your Bluetooth device.



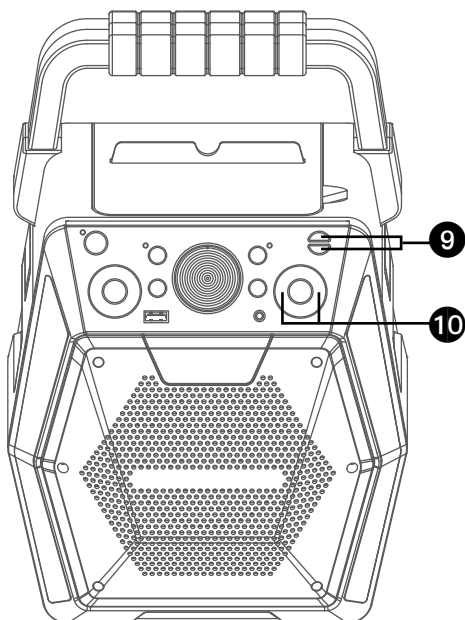
7 Connect microphone(s) and slide the **ON/OFF** switch on the microphone to the ON position.

8 Press the **MIC VOLUME +** or **-** button as desired, which will affect both microphones.



Operation

Using a Bluetooth Device (Continued)



9 SING-ALONG WITH BUILT-IN VOICE CHANGERS There are 6 built-in voice changers in this unit. Press the **VOICE EFFECTS UP** or **DOWN** button to select different vocal effects.

Display will show:

- EF0 - NONE
- EF1 - ECHO
- EF2 - FEMALE
- EF3 - MALE
- EF4 - CHIPMUNK
- EF5 - ROBOT
- EF6 - RADIO

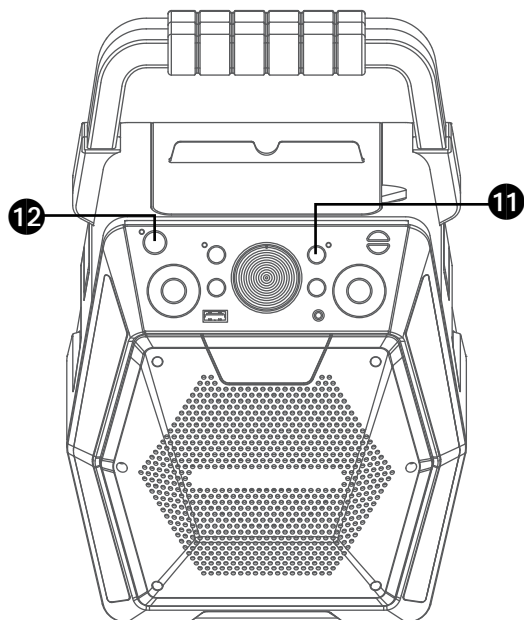
10 SKIP: Advance or go back one track by pressing the **< (Navigation < / Skip -)** button or **> (Navigation > / Skip +)** button respectively.

11 RECORD YOUR VOCAL PERFORMANCE:
To record your singing as well as the music, press the **REC** button. Recording will begin and the record indicator will light solid. When done recording, press the **REC** button again; the record indicator will turn off.

Notes:

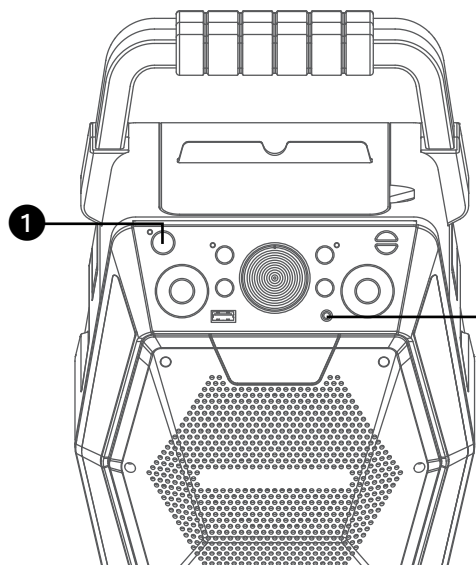
- A USB drive (not included) must be inserted into USB slot to record.
- The recorded audio file will record onto the USB drive.
- See section “Playing Songs from the USB” to play back your recorded files.

12 Press the **ON/STANDBY** button to turn the unit off.



Operation

Using the LINE IN Jack

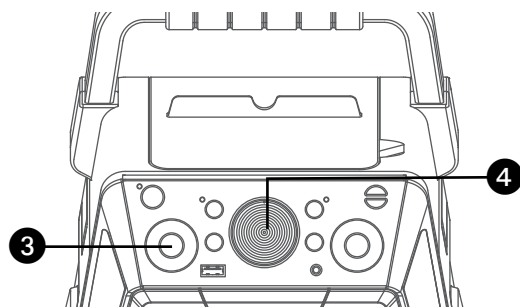


1 Connect the unit as described previously. Press the **ON/STANDBY** button to turn the unit on.

2 Connect the external unit to the LINE IN Jack on the front of this unit. Connecting an external unit will allow the audio to be played through your Singing Machine.

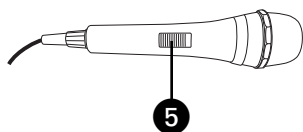
Notes:

- It is highly recommended to set the volume on the auxiliary unit to 1/3 or lower to avoid distortion.
- Skipping files/tracks is not possible in this unit when using an external device.



3 Repeatedly press the **FUNCTION** button to select the LINE IN mode; "AU" will appear in the display.

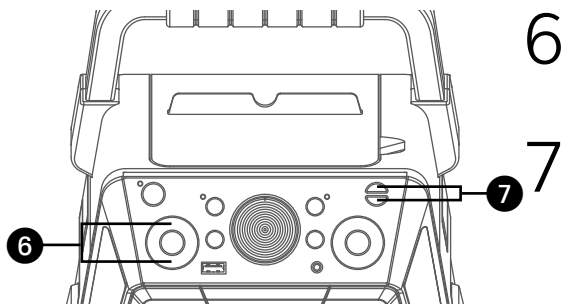
4 Adjust the volume using the **MASTER VOLUME** control on this unit or your external device's volume control.



5 Connect microphone(s) and slide the **ON/OFF** switch on the microphone to the ON position.

Operation

Using the LINE IN Jack (Continued)



6

Press the **MIC VOLUME +** or **-** button as desired, which will affect both microphones.

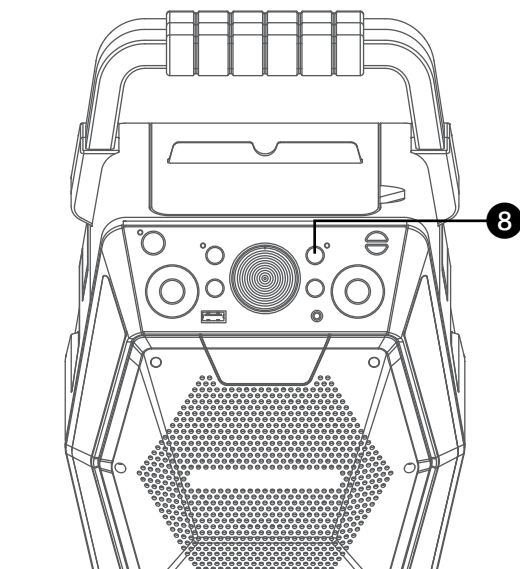
7

SING-ALONG WITH BUILT-IN VOICE CHANGERS

There are 6 built-in voice changers in this unit. Press the **VOICE EFFECTS UP** or **DOWN** button to select different vocal effects.

Display will show:

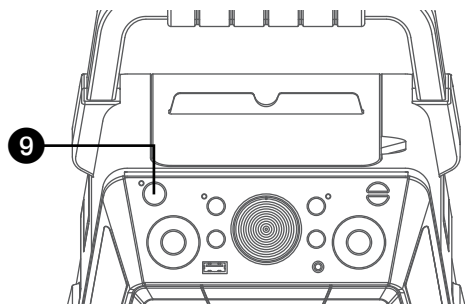
- EFO - NONE
- EF1 - ECHO
- EF2 - FEMALE
- EF3 - MALE
- EF4 - CHIPMUNK
- EF5 - ROBOT
- EF6 - RADIO



8

RECORD YOUR VOCAL PERFORMANCE:

To record your singing as well as the music, press the **REC** button. Recording will begin and the record indicator will light solid. When done recording, press the **REC** button again; the record indicator will turn off.



9

Press the **ON/STANDBY** button to turn the unit off.

Notes:

- A USB drive (not included) must be inserted into USB slot to record.
- The recorded audio file will record onto the USB drive.
- See section “Playing Songs from the USB” to play back your recorded files.

Operation

Where to Download MP3+G Files

Helpful Hints:

The .mp3 and .cdg files are delivered for download in a single, compressed MP3+G.zip file. The MP3+G file cannot be played as a .zip file on a USB flash drive.

To play karaoke songs using a USB flash drive, the MP3+G .zip file must be unzipped as follows:

- Connect a USB flash drive to your computer.
- Download the MP3+G file from your Digital Locker and save the .zip* file to a folder on your computer.
- Double click the .zip file to open the .zip (you will see the .mp3 and .cdg files).
- Drag and drop the .mp3 and .cdg files to the USB flash drive.
- Remove (eject) the USB flash drive from your computer.

Turn on the Singing Machine and connect the USB flash drive.

To purchase and download karaoke music, please visit <http://store.singingmachine.com> to access over 13,000+ of your favorite karaoke songs. You will need a USB flash drive (not included) to transfer the downloads to this unit.

Follow these easy steps:

1 Go to <http://store.singingmachine.com> using your internet browser, and then register.

2 Select and purchase your favorite karaoke music from the Singing Machine Download Store.

3 Download your selected purchase(s) from the Singing Machine Digital Locker to your USB flash drive.

4 Insert the USB flash drive as shown on page E12 and enjoy!

Note: Your downloaded songs can also be burned to a blank CDR/CDRW.

FAQ

- Where can I get additional help with the file formats?

Visit <http://singingmachine.com/smc-music/> to get additional resources about the right type of **FILE FORMAT** for your system.

The screenshot shows the Singing Machine website's 'Browse All' page. At the top, there is a navigation bar with the Singing Machine logo and 'STINGRAY' branding. Below the navigation bar, there are sections for 'FEATURED PACKS SONGS ARTISTS', 'FEATURED PACKS', and 'NOW OPTIMIZED FOR TABLETS AND MOBILE'. The 'FEATURED PACKS' section displays six music packs: 'GREATEST LOVE SONGS', 'KARAOKE HITS', 'CLASSIC ROCK', 'ROCK ANTHEMS', 'MOTOWN CLASSICS', and 'TOTALLY BOY'. Each pack includes a cover image, a description, and a price tag. The 'NOW OPTIMIZED FOR TABLETS AND MOBILE' section provides information about downloading songs to a mobile device. The bottom of the page has navigation links for 'RECENT RELEASES', 'TOP SONGS', and 'TOP ARTISTS'.

Troubleshooting Guide

Should this unit exhibit a problem, check the following before seeking service:

No Power

- Power is not on; press the **ON/STANDBY** button to turn power on.
- Confirm the AC adapter is connected securely to the back of the unit.
- Connect the unit to a different outlet.
- If using batteries, replace with new ones.
- The normal function of the product may be disturbed by strong Electro-Magnetic Interference. If so, simply restart the product to resume normal operation by following the instruction manual. In case the function could not resume, please use the product in other location.

No Sound – General

- **MASTER VOLUME** is set to minimum; raise volume.
- Correct Function was not selected; select using the **FUNCTION** button.
- If using an external device, raise the volume.

No Sound – If connected to a TV

- Volume on the TV is muted or too low.
- Correct source (usually AV) was not selected on the TV's menu.

Lyrics do not appear on the TV screen

- If connected to a TV, Video plug is not connected properly; see page E5.
- If connected to a TV, select the correct source on the TV (usually AV).
- The file/track being played is not a track recording with lyrics. These are the only files that allow you to view the lyrics on the TV screen.
- Nothing will appear on the TV screen when using Line In or Bluetooth.


No sound from the microphone

- Make sure the microphone is firmly connected to the **MIC 1** or **MIC 2** jack.
- Make sure the **Mic's ON/OFF** switch on the Mic is set to the ON position.
- Make sure the mic's volume is not set too low.
- **MASTER VOLUME** is set to minimum; raise volume.

File(s) on USB jack not playing

- The file is corrupted; replace the file.
- The file is not in a format this unit will play.
- The connected USB device is not supported by the product.

The Bluetooth device cannot be paired or connected with the unit

- You have not activated the Bluetooth function of your device; see page E16 or refer to the Bluetooth device user's manual.
- The system is not in pairing mode; press the  button to restart pairing.

The Music is not available on the unit after successfully connecting the Bluetooth

- Ensure your Bluetooth device can support the A2DP Bluetooth profile.
- The volume on the external Bluetooth device is set to low or muted; raise as desired.

Specifications

AUDIO

Output Power 8 Watts (RMS) 10% THD
Output Impedance 8 Ohms

CD SECTION

Frequency Response 100Hz - 20kHz
Signal-to-Noise Ratio 50dB (A-WTD)
Number of Programs 20 Step Random Access Programming

BLUETOOTH

Bluetooth Version V5.0
Working Distance Up to 30 feet/10 meters measured in open space

USB

Format FAT32
Maximum Compatibility 32GB

GENERAL

Power AC 100-240V ~ 50/60Hz
Output 12V \square 1A
Dimensions - Main Unit 243 mm (W) x 338 mm (H) x 206 mm (D)
Weight - Main Unit 2.19 Kg
Microphone -74 dB 600 Ohms impedance with 6.3 mm Dynamic Microphone
Line In 3.5mm Stereo Jack

Specifications are subject to change without notice.



The Bluetooth® word mark and logos are registered trademarks owned by Bluetooth SIG, Inc. and any use of such marks by The Singing Machine Company, Inc. is under license. Other trademarks and trade names are those of their respective owners.

Visit Our Website: www.singingmachine.com

Copyright © 2020 - All Rights Reserved.

The Singing Machine Company, Inc.
4060 E Jurupa Street, Unit B
Ontario, CA 91761-1413 USA

U.S. Representative

Company Name : The Singing Machine Company, Inc.

Address : 6301 NW 5th Way, Suite 2900, Fort Lauderdale,
FL33309, USA

Telephone : 954 -596-1000

Website : www.singingmachine.com

PRINTED IN CHINA
2300-xxxx-ENG01-US