



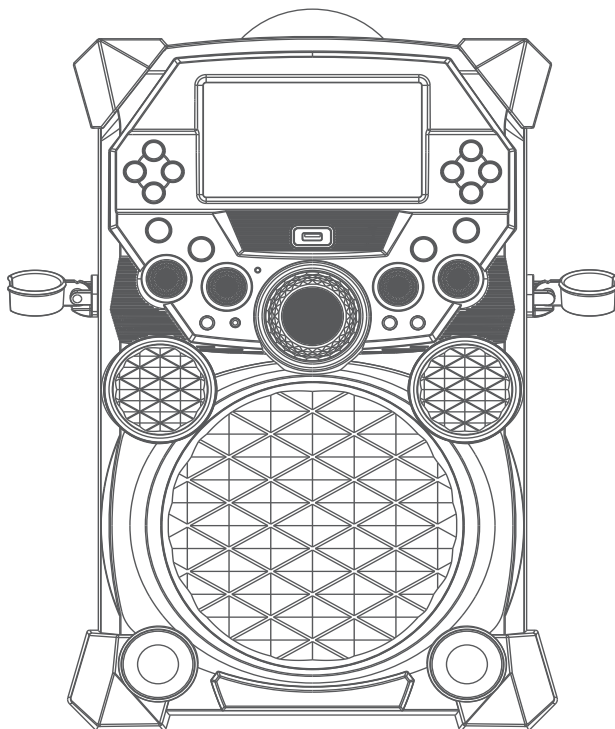
**singing machine<sup>®</sup>**

creating Joy through music

**SDL9050**

**FESTIVAL**



INSTRUCTION MANUAL



**[www.singingmachine.com](http://www.singingmachine.com)**

The Singing Machine<sup>®</sup> is a registered trademark of The Singing Machine Co.,Inc.

# Warnings

	<b>CAUTION</b> RISK OF ELECTRIC SHOCK DO NOT OPEN	
<b>CAUTION:</b> TO REDUCE THE RISK OF ELECTRIC SHOCK, DO NOT REMOVE COVER (OR BACK). NO USER-SERVICEABLE PARTS INSIDE. REFER SERVICING TO QUALIFIED SERVICE PERSONNEL. The Caution marking is located on the bottom panel.		

<b>WARNING:</b> TO PREVENT FIRE OR SHOCK HAZARD, DO NOT EXPOSE THIS UNIT TO RAIN OR MOISTURE.
<b>CAUTION:</b> TO PREVENT ELECTRIC SHOCK, MATCH WIDE BLADE OF PLUG TO WIDE SLOT AND FULLY INSERT.



**DANGEROUS VOLTAGE:** The lightning flash with arrowhead symbol within an equilateral triangle is intended to alert the user to the presence of uninsulated dangerous voltage within the product's enclosure that may be of sufficient magnitude to constitute a risk of electric shock to persons.



**ATTENTION:** The exclamation point within an equilateral triangle is intended to alert the user to the presence of important operating and maintenance (servicing) instructions in the literature accompanying this product.

**DRIPPING WARNING:** This product shall not be exposed to dripping or splashing, and no objects filled with liquids, such as vases, shall be placed on the product.

**VENTILATION WARNING:** The normal ventilation of the product shall not be impeded for intended use.

**Warning:** Changes or modifications to this unit not expressly approved by the party responsible for compliance could void the user's authority to operate the equipment.

Main plug is used as disconnect device and it should remain readily operable during intended use. In order to disconnect the apparatus from the mains completely, the main plug should be disconnected from the main socket outlet completely.




This symbol on the product or in the instructions means that your electrical and electronic equipment should be disposed of at the end of its life separately from your household waste. There are separate collection systems for recycling in the EU.

For more information, please contact the local authority or your retailer where you purchased the product.

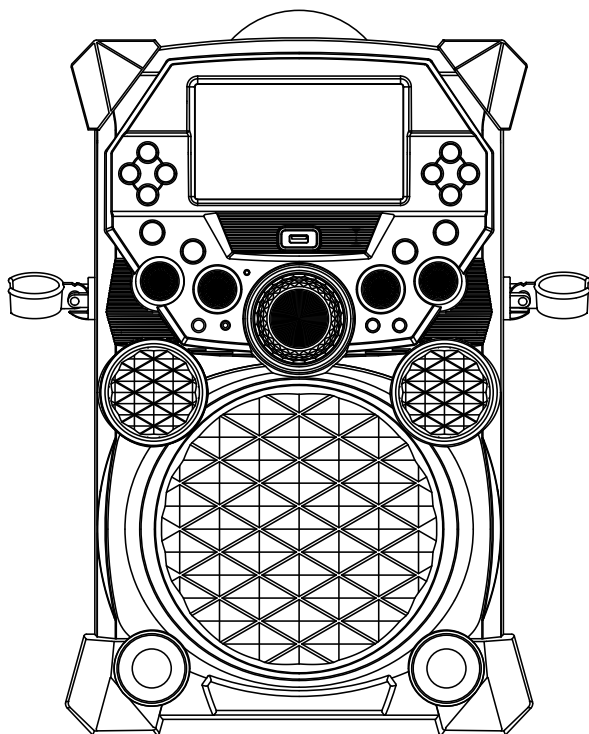
Under the influence of electrostatic phenomenon, the product may malfunction and require user to reset.

## Important Safety Information

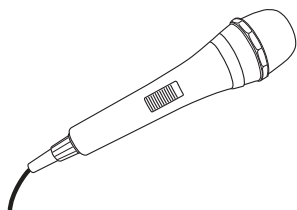
1. Read these Instructions.
2. Keep these Instructions.
3. Heed all Warnings.
4. Follow all Instructions.
5. Do not use this apparatus near water.
6. Clean only with a dry cloth.
7. Do not block any of the ventilation openings. Install in accordance with the Manufacturer's instructions.
8. Do not install near any heat sources such as radiators, heat registers, stoves, or other apparatus (including amplifiers) that produce heat.
9. Do not defeat the safety purpose of the polarized or grounding-type plug. A polarized plug has two blades with one wider than the other. A grounding type plug has two blades and a third grounding prong. The wide blade or the third prong are provided for your safety. When the provided plug does not fit into your outlet, consult an electrician for replacement of the obsolete outlet.
10. Protect the power cord from being walked on or pinched particularly at plugs, convenience receptacles, and the point where they exit from the apparatus.
11. Only use attachments/accessories specified by the manufacturer.
12. Use only with a cart, stand, tripod, bracket, PORTABLE CART WARNING (symbol provided by RETAC) or table specified by the manufacturer, or sold with the apparatus. When a cart is used, use caution when moving the cart/apparatus combination to avoid injury from tip-over. 
13. Unplug this apparatus during lightning storms or when unused for long periods of time.
14. Refer all servicing to qualified service personnel. Servicing is required when the apparatus has been damaged in any way, such as power-supply cord or plug is damaged, liquid has been spilled or objects have fallen into the apparatus, the apparatus has been exposed to rain or moisture, does not operate normally, or has been dropped.
15. **WARNING:** To reduce the risk of fire or electric shock, do not expose this apparatus to rain or moisture. Do not place objects filled with water, such as a vase, on the apparatus.
16. The AC mains plug is used as the power disconnect device and it should remain readily accessible and operable during intended use. In order to completely disconnect the apparatus from power, the mains plug should be completely removed from the AC outlet socket.
17. **CAUTION:** To reduce the risk of fire or explosion, do not expose batteries to excessive heat such as sunshine, fire or other heat sources.

# Included

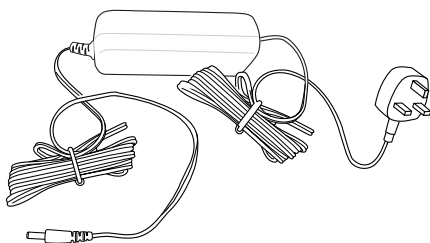
Please make sure the following items are included.



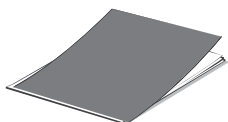
Main Unit



Wired Microphone x2

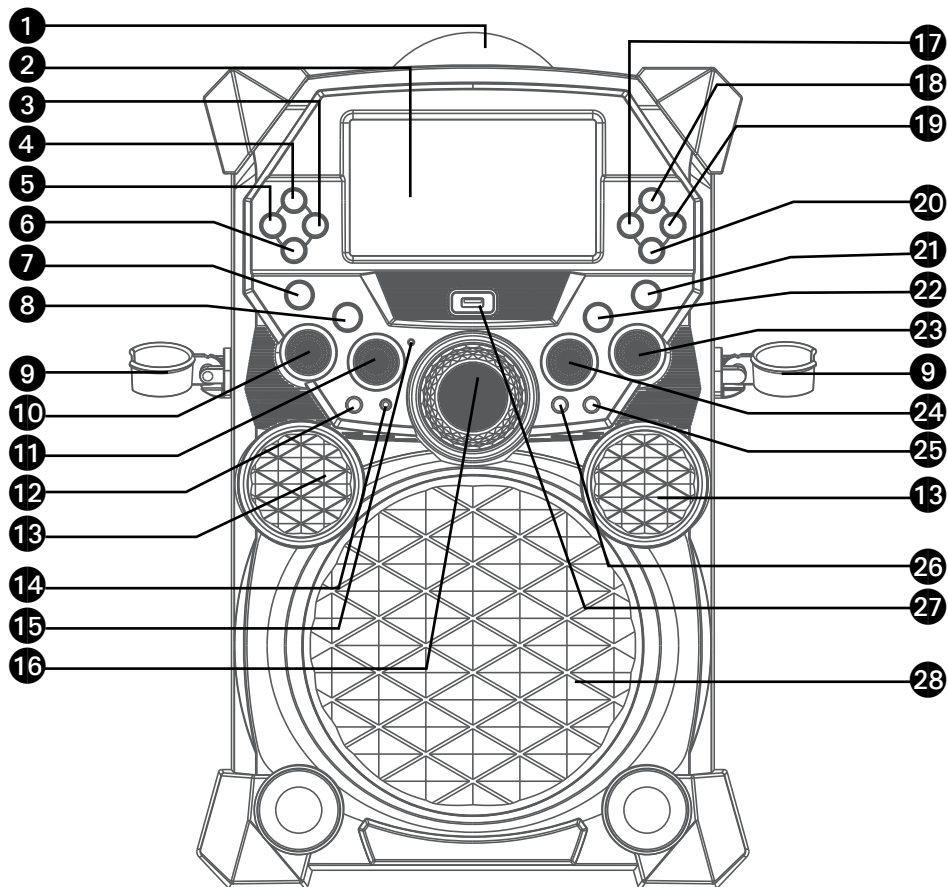


AC Adapter



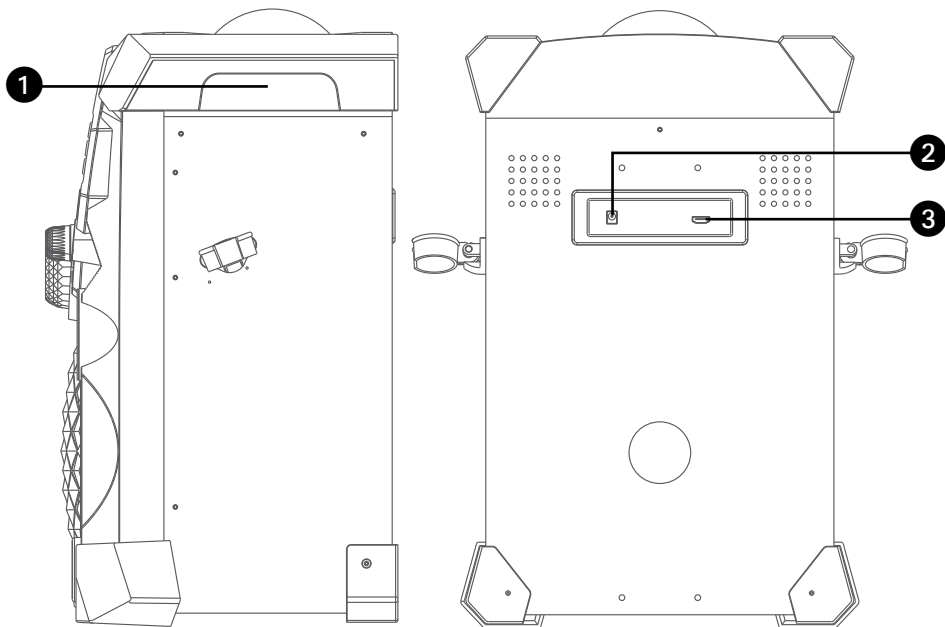
Manual

# Location of Controls (Top/Front)



- |                                     |                               |
|-------------------------------------|-------------------------------|
| 1. Disco Ball                       | 15. Bluetooth Indicator       |
| 2. TFT LCD Color Screen             | 16. MASTER VOLUME Control     |
| 3. VOCAL/PAIR Button                | 17. Navigation LEFT ◀ Button  |
| 4. FUNCTION (Monitor ON/OFF) Button | 18. Navigation UP ▲ Button    |
| 5. MENU Button                      | 19. Navigation RIGHT ▶ Button |
| 6. RECORD ● Button                  | 20. Navigation DOWN ▼ Button  |
| 7. ON/STANDBY Button                | 21. ENTER/▶■ Button           |
| 8. DISCO BALL Button                | 22. LIGHT MODE Button         |
| 9. MIC Holder                       | 23. ECHO Control              |
| 10. EXTERNAL INPUT VOLUME Control   | 24. MIC 2 VOLUME Control      |
| 11. MIC 1 VOLUME Control            | 25. MIC 2 Jack                |
| 12. EXTERNAL INPUT Jack             | 26. MIC 1 Jack                |
| 13. Tweeter                         | 27. USB Slot                  |
| 14. LINE IN Jack                    | 28. Speaker/Lights            |

# Location of Controls (Rear)



- 1. Handle
- 2. DC IN Jack

- 3. HDMI Jack

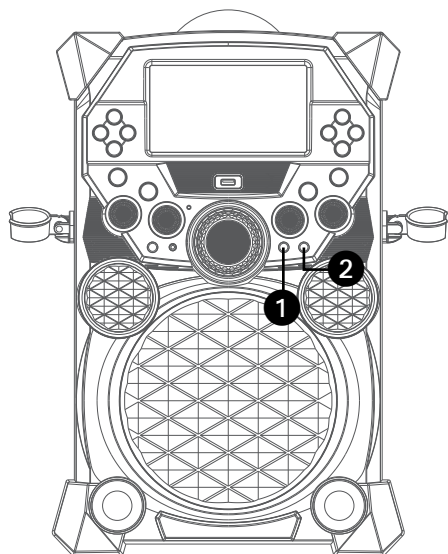
# Location of Controls (Playback Display)



- Master Volume: 0-20
- Echo Control: 0-8

# Connection

## Connecting the Microphone(s)

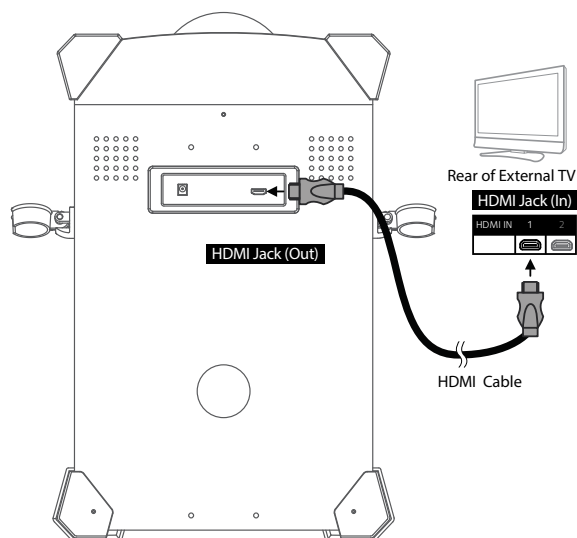


### Microphones:

Connect a microphone into Mic jack 1 **1** and the other microphone into Mic jack 2 **2** (if desired).

**Note:** Do not drop or tap the Mic as damage to the Mic or speakers may occur. Do not twirl the microphone by cord as it will cause damage to the encased wiring.

## Connecting the Unit to a TV



The video and lyrics will be displayed on the built-in screen. You may also want to connect a TV to display a larger image and additional sound; follow the steps below:

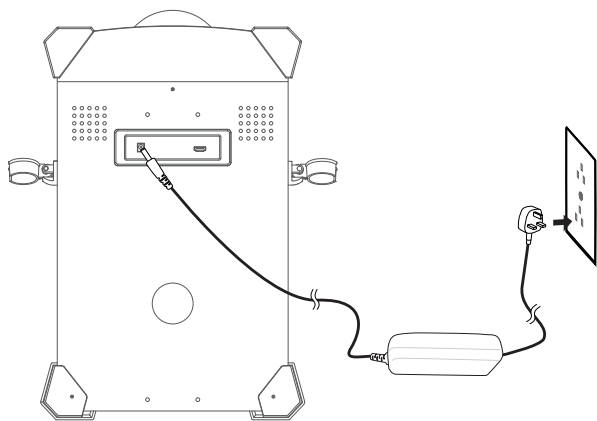
Plug the HDMI cable (Not included) into the HDMI Jack on the back of the unit. Plug the other end of the HDMI cable into the HDMI input on your TV.

### Notes:

- This unit can be used with or without a TV.
- Also refer to the TV's or external unit's User Guide.

# Connection

## Connecting to AC Power



- 1 Insert the AC power cord into a conveniently located AC outlet having 230V, 50Hz.

**Note:**

Make all connections before connecting to AC power.

---

## Energy Saving (Auto Power System-APS)

The unit will automatically enter the Standby mode after 15 minutes in the following situations:

1. There is no video or audio playback on USB/Bluetooth/Recordings/Line in mode;
2. The playback of external music player had been stopped but the audio cable is still plugged into the LINE IN jack.

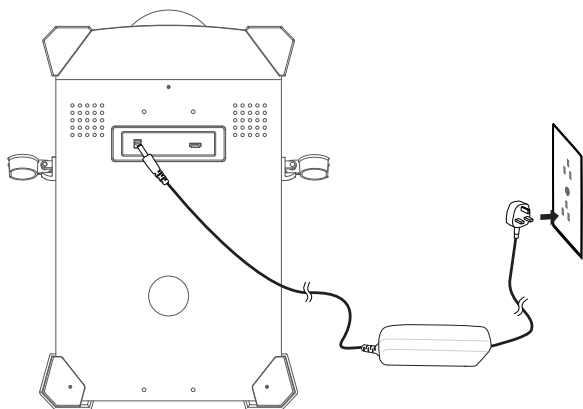
The unit can be resumed to turn on by pressing the ON/STANDBY button once.

APS is for energy saving purposes.

# Rechargeable Battery

This unit comes with a built-in rechargeable battery pack that will allow the unit to be used without being connected to AC power. The Battery indicator (top right of the display) will show the battery charge left indicated by the amount of bars. The rechargeable battery pack must NOT to be replaced by the user.

To optimize the battery life, we recommend to charge the unit once a month. When the battery icon turns red and flashing, recharge the unit by following the steps below:



- 1 Insert the AC power cord into a conveniently located AC outlet having 230V, 50Hz.
- 2 Allow the unit to charge for approximately twelve hours for a full charge.
- 3 Disconnect the AC cord and the fully charged unit can be used for approximately five hours depending on the function chosen.

**Attention:** The sound volume will adjust automatically when the battery is not full.

The symbol shown here and on the product means that the product is classed as Electrical or Electronic Equipment and should not be disposed with other household or commercial waste at the end of its working life.

The Waste Electrical and Electronic Equipment (WEEE) Directive (2012/19/EU) has been put in place to encourage the recycling of products using best available recovery and recycling techniques to minimise the impact on the environment, treat any hazardous substances and avoid the increase of landfill.

When you have no further use for this product, please dispose of it using your local authority's recycling processes. For more information, please contact your local authority or the retailer where the product was purchased.



## Lead Acid Battery Warning

- This equipment contains a rechargeable valve-regulated lead acid battery.
- Do not charge the battery in temperatures below 32° F (0° C) or higher than 122° F (50° C).
- Do not open or mutilate the battery.
- The rechargeable batteries contained in this equipment may explode if disposed of in a fire.
- Do not short-circuit the battery.
- Do not charge the rechargeable battery pack used in this equipment with any charger other than the one designed to charge this battery pack, as specified in the owner's manual. Using another charger may damage the battery pack or cause the battery pack to explode.



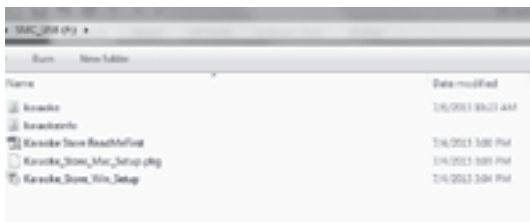
# Karaoke Store

## PC Installation

The Karaoke Store application can be installed on Microsoft Windows computers running Vista, Windows 7, and Windows 8 or higher. The Karaoke Store application requires connection to the Internet (a high-speed connection is recommended).

1 Insert the USB Flash Drive into a powered USB slot on your computer.

2 Double-click the file named, "Karaoke\_Store\_Win\_Setup".

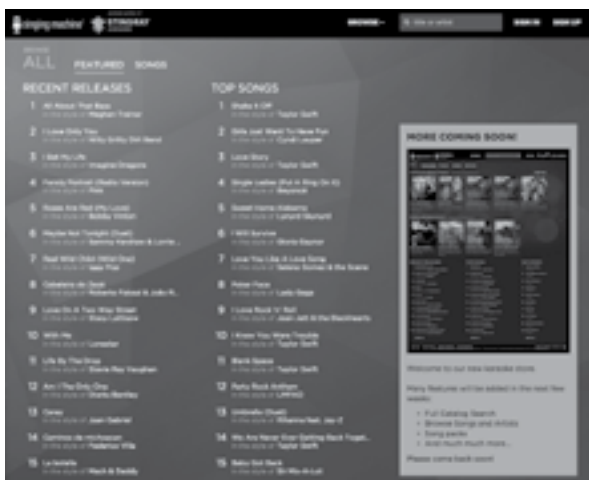


3 Follow the online instructions to install the software on your computer.



4 After installing, open your Program's folder and open the **Karaoke Store** folder.

5 Double-click "Karaoke Store" to open the software.



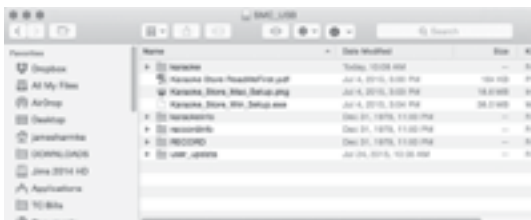
6 On this page you can now sign up and purchase/download them to your computer and/or USB drive for playing on your new Singing Machine!

# Karaoke Store

## Mac Installation

The Karaoke Store application can be installed on Apple Macintosh computers running OS X 10.8 and higher. The Karaoke Store application requires connection to the Internet (a high-speed connection is recommended).

1 Insert the USB Flash Drive into a powered USB slot on your computer.



2 Double-click the file named, "Karaoke\_Store\_Mac\_Setup.pkg".

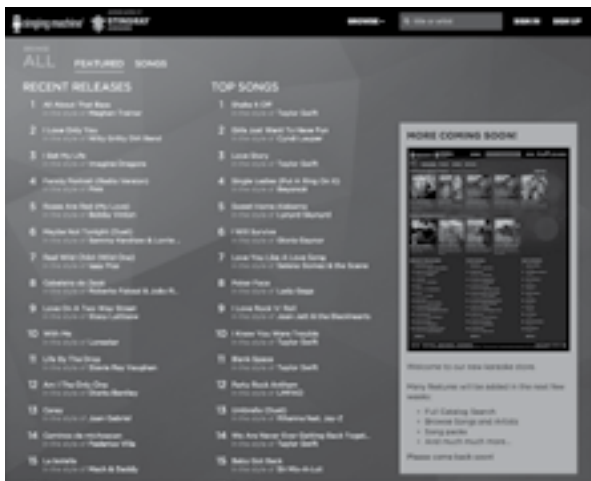
3 Follow the online instructions to install the software on your computer.



4 After installing, open your Application's folder and open the **Stingray Karaoke Store** folder.

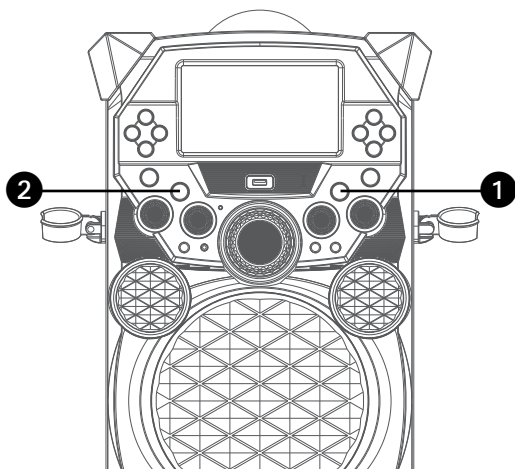
5 Double-click Karaoke Store App to open the software.

6 On this page you can now sign up and purchase/download them to your computer and/or USB drive for playing on your new Singing Machine!



# Operation

## Light Mode



1 There are four Light modes. Repeatedly press the **LIGHT MODE** button to select a mode as follows:

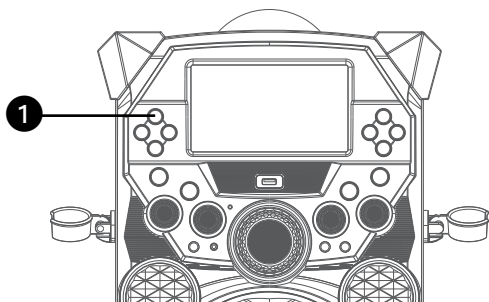
**Light Modes 1:** The unit will synchronize to the music being played.

**Light Mode 2:** The unit will light up with random colors and patterns.

**Light Mode 3:** The light effects will be turned off.

2 This unit also comes with a Disco Ball feature. Press the **DISCO BALL** button to turn the lights on and they will illuminate onto the ceiling.

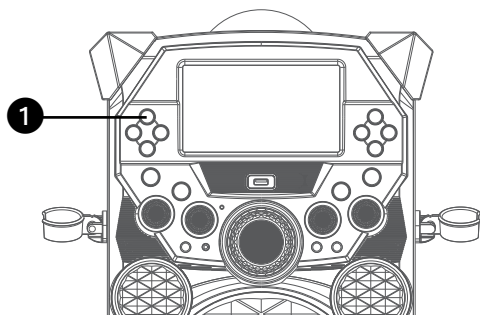
## Power Save Mode



**To save the battery power of the unit when you are outdoor,** the TFT screen will turn off after 30 seconds of no action. The sound volume level will also adjust automatically with the rechargeable battery level.

You can also press and hold the **FUNC** button ① to turn off the TFT screen whenever you want.

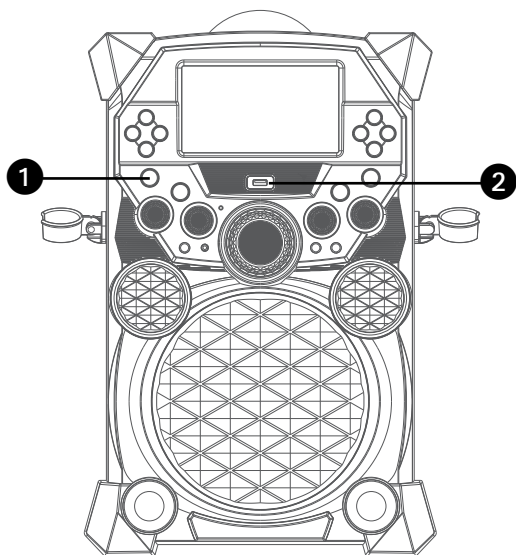
## Turning the TFT Monitor Off



1 To turn the built-in TFT monitor Off; press and hold the **FUNC** button until the built in TFT monitor turns off. Repeat the same step to turn the built-in TFT monitor ON.


# Operation

## Playing Songs from the USB



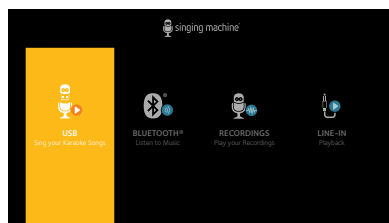
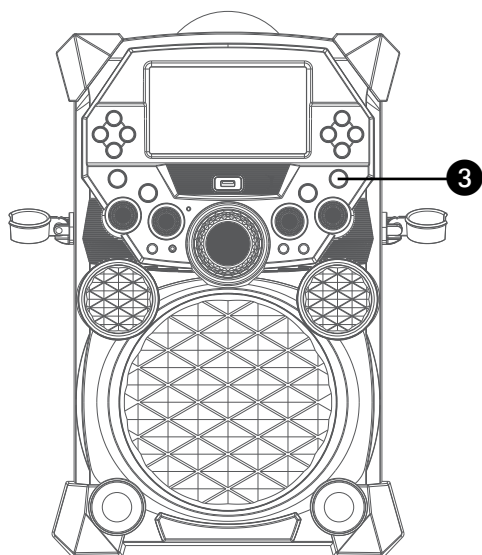
1 Connect the unit as described previously. Press the **ON/STANDBY** button to turn the unit on.


2 Insert a USB flash containing MP3 or MP4 files drive into the USB port on the unit so it faces upward. We have a large selection of karaoke music available for download through our Karaoke Store.

3 The USB mode will be selected by default; press the **ENTER**  button to enter the USB mode. You can also repeatedly press the **FUNC** button to select the USB mode.

### Notes:

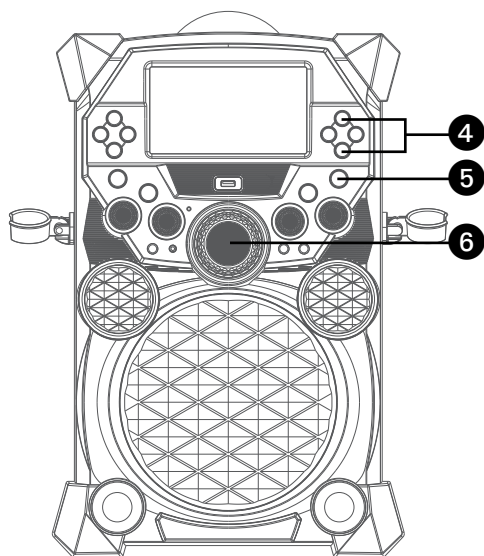
- The USB mode cannot be accessed until a flash drive is inserted.



- A loading icon  will appear on the external screen when the system is loading the songs.

# Operation

## Playing Songs from the USB (Continued)



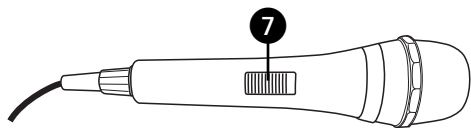
- 4 Use the **Navigation** ▲ Up and ▼ Down buttons to navigate through the list of songs that you have previously downloaded on your USB.



- 5 Press the **ENTER** button to start the playback. The HD karaoke video will play on the screen. Press the **ENTER** button during playback to pause the song. Press the **MENU** button to stop the playback and go back to the USB menu.

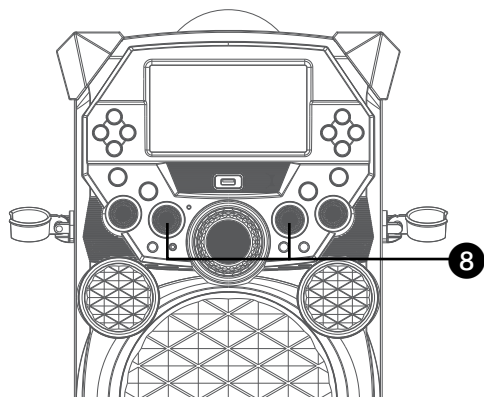
### Notes:

- If connected to a TV, there will be no display on the built-in monitor.
- If connected to a TV, you can also control the volume with the TV's volume control.



- 6 Adjust the volume to a comfortable level using the **MASTER VOLUME** control.

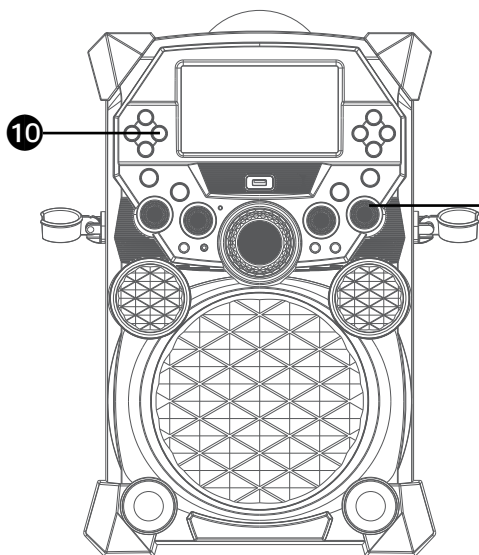
- 7 Connect microphone(s) and slide the **ON/OFF** switch on the microphone to the ON position.





- 8 Adjust the **MIC VOLUME 1** or **2** control as desired. Increasing this will increase the volume of the respective microphone(s).

# Operation

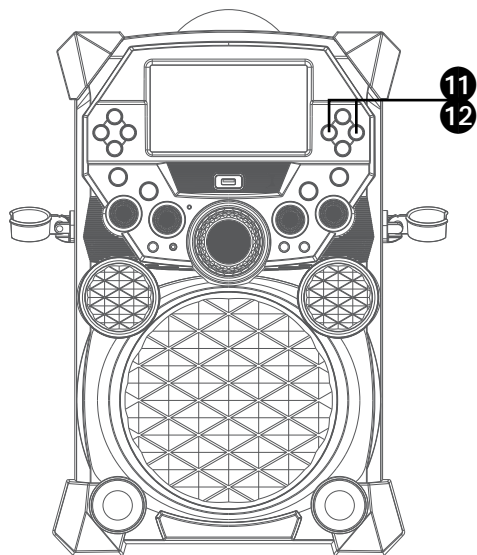
## Playing Songs from the USB (Continued)



9 Rotate the **ECHO** control to add an echo effect to your voice. Rotate towards **MAX** to increase the echo effect.

10 **VOCALS:** To sing with the lead singer on the recording, press the **VOCAL/PAIR** button; “” will appear at the top right of the monitor. To listen to music only, press the **VOCAL/PAIR** button again; “” will appear over the Lead Vocal Status icon.

**Note:** The song must be recorded with separate vocals that is downloaded (aka multiplex recording) in order to utilize the Lead Vocal function.

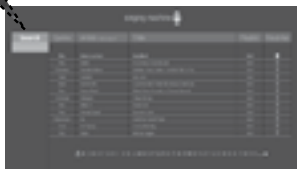
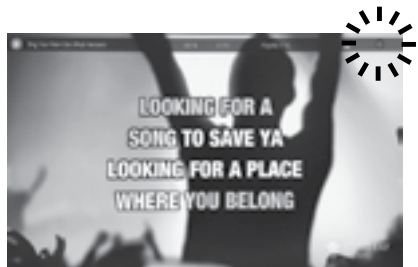


11 **SKIP:** Advance or go backone track by pressing the **Navigation** ▶ Right or ◀ Left button.

12 **TO ADVANCE ON THE TRACK:** During playback, press and hold the **Navigation** ▶ Right or ◀ Left button to move forward or backward. When you release the button, normal playback will resume.

# Operation

## Playing Songs from the USB (Continued)



- 13 SEARCHING BY ARTIST OR TITLE:** While in the USB menu, select Search using the **Navigation** ◀ Left and ▶ Right buttons, then press the **ENTER** ▣ button. The alphabet will appear at the bottom of the screen. Select the desired starting letter using the **MASTER VOLUME** control, then press the **ENTER** ▣ button to select it. A list of songs that meet the criteria will appear. Use the **Navigation** ▲ Up and ▼ Down buttons to navigate through the list of songs, then press the **ENTER** ▣ button to play your selection, or select the next letter the same way.

**Note:**

You can search up to six letters; after the sixth letter the search will reset.

# Operation

## Playing Songs from the USB (Continued)



**14 SEARCHING BY GENRE, ARTIST or TITLE:** To filter by Genre, Artist or Title, select the Genre, Artist, or Title using the **Navigation** ◀ Left and ▶ Right buttons, then press the **ENTER** ⏎ button. The alphabet will appear at the bottom of the screen; select the desired starting letter using the **MASTER VOLUME** control, then press the **ENTER** ⏎ button to select it. A list of songs that meet the criteria will appear. Use the **Navigation** ▲ Up and ▼ Down buttons to navigate through the list of songs, then press the **ENTER** ⏎ button to play your selection, or select the next letter the same way.

### Note:

You can search up to six letters. After the sixth letter the search will reset.

**15 CREATING THE PLAYLIST:** To create a personalized playlist, select a song using the **Navigation** ▲ Up and ▼ Down buttons, then scroll to the Playlist column (**Add**) using the **Navigation** ▶ Right or ◀ Left button. Press the **ENTER** ⏎ button to confirm the operation; “Added” will appear. Repeat this step to add more songs.

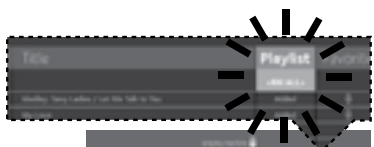
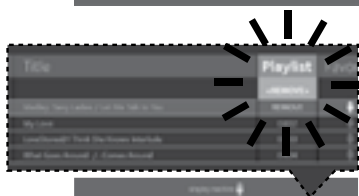
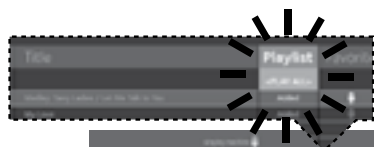
### Notes:


- The personalized Playlist will be kept even if the unit is turned on or off.
- You can always edit your Playlist after you create it by selecting a song that was added and pressing the **ENTER** ⏎ button again; “Added” will change to “Add”.




# Operation

## Playing Songs from the USB (Continued)



**16 USING THE PLAYLIST:** To play your previously created playlist, select Playlist using the **Navigation** ▶ Right and ◀ Left buttons, then press the **ENTER**  button; the row under Playlist will be highlighted. Select the desired selection using the **Navigation** ▶ Right and ◀ Left buttons as follows:


**TO PLAY ALL:** Select Play All and then press the **ENTER**  button to play back all of the Playlist songs. (See below to add favorites.)

### **PRIORITY:**


a. Select priority and then navigate down to the song you want to prioritize.


b. Press the **Navigation** ▶ Right button and the numbers will change to 0001, 0002, etc. According to the numbers displayed the songs will be listed in that order from top to bottom.

c. After setting all songs on your priority list, press the **MENU** button then the playlist will be highlighted.

d. Use the **Navigation** ▼ Down button to select the first song and press the **ENTER**  button to start the playback of all songs on the play list.

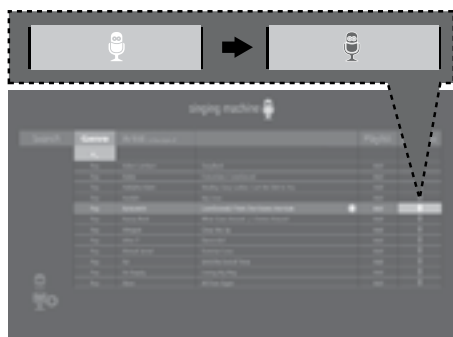
e. To change the Priority list, navigate up and down to select the songs you want to play in the order you desire.

**REMOVE:** Select Remove and then select a song to remove using the **Navigation** ▲ Up and ▼ Down buttons. Press the **ENTER**  button; the song will be deleted from the playlist.

**RM ALL:** To remove the whole Playlist, select **RM ALL** and then press the **ENTER**  button; the whole Playlist will be deleted.

# Operation

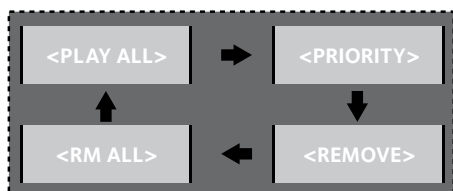
## Playing Songs from the USB (Continued)



- 17 CREATING FAVORITES:** To create a favorite playlist, select a song using the **Navigation** ▲ Up and ▼ Down buttons, then scroll to the Favorite column using the **Navigation** ▶ Right or ◀ Left button. Press the **ENTER** ■■■ button to confirm the operation; the icon will turn from white to blue. Repeat this step to add more songs.

### Notes:

- The Favorites will be stored even if the unit is turned on or off.
- You can always edit Favorites after you create them by selecting a song that was added and pressing the **ENTER** ■■■ button again; it will change from blue to white.

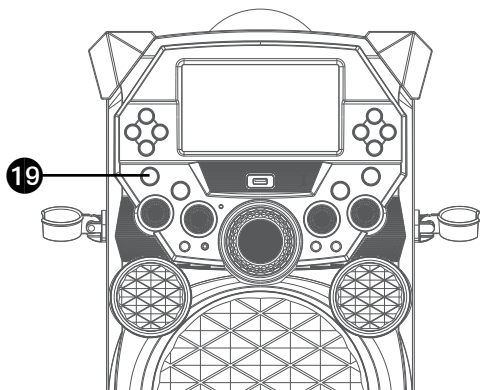


- 18 USING THE PLAYLIST:** To play or edit your previously created Favorite playlist, you can use the **Navigation** ▶ Right and ◀ Left buttons to select the **Favorite** tag. Then press the **ENTER** ■■■ button to show the favorites list. Perform the same steps as shown in the USING THE PLAYLIST section on the previous page to play and edit the Favorite playlist.

- 19** Press the **ON/STANDBY** button to turn the unit off.

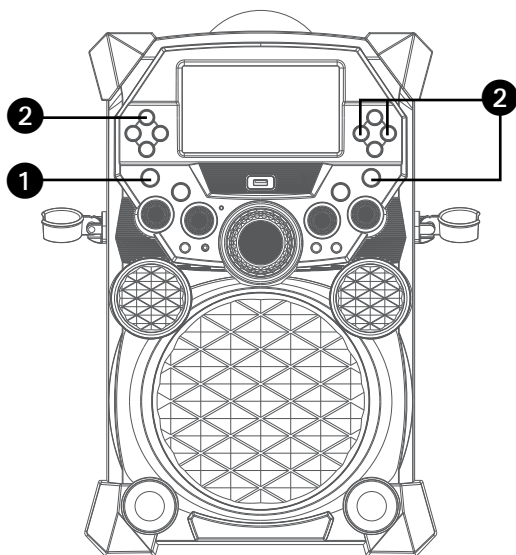
### Note:

When in the Menu screen, press the **MENU** button to go back and change categories; i.e. while in the Playlist column press the **MENU** button to go back and then select the Artist column, etc.




# Operation

## Using a Bluetooth Device



1 Connect the unit as described previously. Press the **ON/STANDBY** button to turn the unit on.

2 Press the **Navigation** ▶ Right or ◀ Left button to select the Bluetooth mode, then press the **ENTER**  button. You can also repeatedly press the **FUNC** button to select the Bluetooth mode. The Bluetooth indicator will blink to show the unit is ready to pair and “Please connect your Music Device” will appear in the monitor.

3 Turn on your device’s Bluetooth option in settings to search for a discoverable device with a Bluetooth signal. Select “**Singing Machine**” from the device results on the Bluetooth menu.

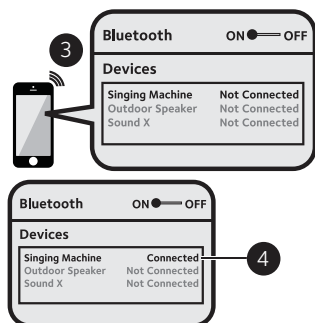
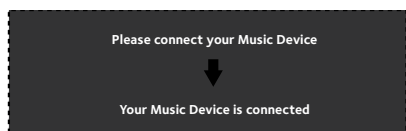
### Note:

- Always refer to the user manual of your Bluetooth device for detailed instructions.
- You can also press the **VOCAL/PAIR** button to disconnect any paired devices in order to pair another device.

4 The Bluetooth indicator will light solid, a tone will sound and the monitor will display “Your Music Device is connected”.

### Notes:

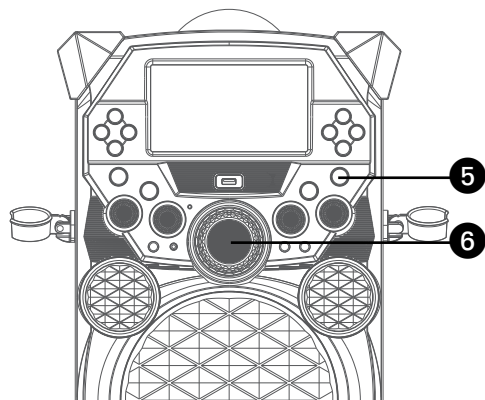
- If your Bluetooth device prompts you for a passcode during the pairing process, please enter “0000” to connect.
- On some Bluetooth devices, once pairing is complete, select your Bluetooth device as “Use as Audio Device” or similar.
- If connection is lost after successful pairing, check to make sure the distance between speaker and Bluetooth-enabled device does not exceed 30 ft/10 meters.



# Operation

## Using a Bluetooth Device (Continued)

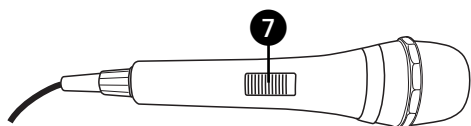
**Note:** You can view the lyrics on your mobile device/tablet and get more songs by downloading the “The Singing Machine Mobile Karaoke App”; refer to the Welcome Kit for full app download instructions.



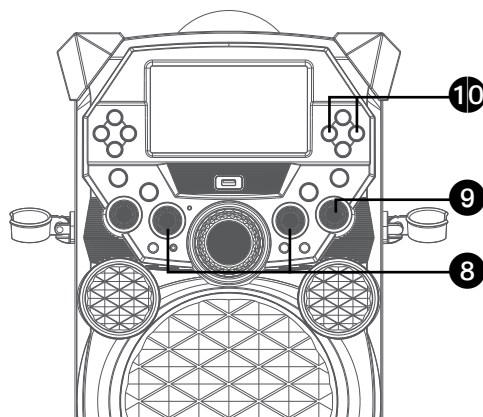
**5** You can control your Bluetooth device to start the music playback OR press the **ENTER** button to start playback. Press the **ENTER** button during playback to pause the song.

**6** Adjust the volume to a comfortable level using the **MASTER VOLUME** control on this unit as well as the Volume on your Bluetooth device.

**Note:** If connected to a TV, you can adjust the TV's volume as well.



**7** Connect microphone(s) and slide the **ON/OFF** switch on the microphone to the ON position.



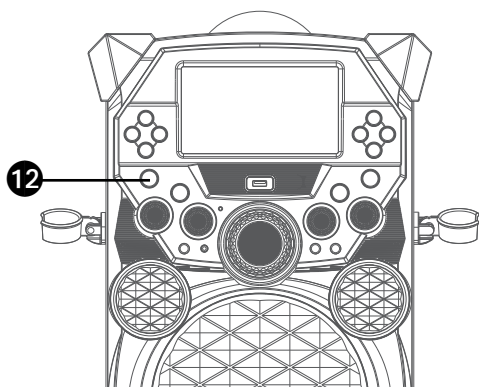
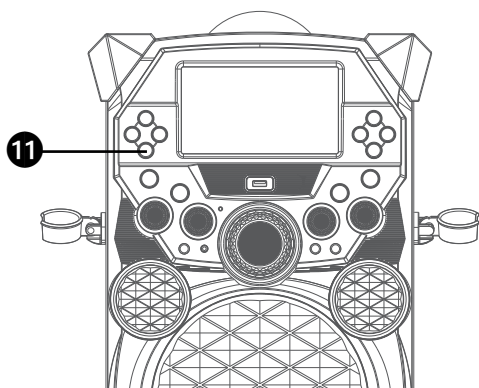
**8** Adjust the **MIC VOLUME 1** or **2** control as desired. Increasing this will increase the volume of the the respective microphone(s).

**9** Rotate the **ECHO** control to add an echo effect to your voice. Rotate towards MAX to increase the echo effect.

**10** **SKIP:** Advance or go back one track by pressing the **Navigation** Right or Left button.

# Operation

## Using a Bluetooth Device (Continued)



## 11 RECORD YOUR VOCAL PERFORMANCE:

To record your singing as well as the music, press the **REC** button. Recording will begin and the record icon at the bottom right corner of the monitor will blink red and blue.

When done recording, press the **REC** button again; the Record icon will stop blinking.

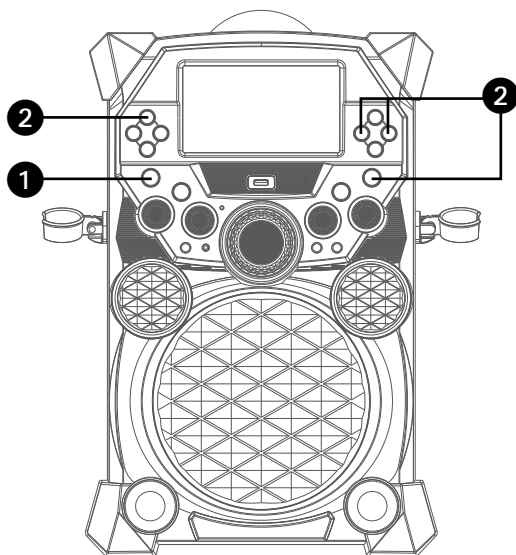
### Notes:

- A USB flash drive must be inserted into USB slot to record.
- The recorded audio file will record onto the USB drive.
- The recorded audio file will be named with the "BT" prefix.
- See section "**Playing Songs from the Recorded Files**" to play back your recorded files.

## 12 Press the **ON/STANDBY** button to turn the unit off.


# Operation

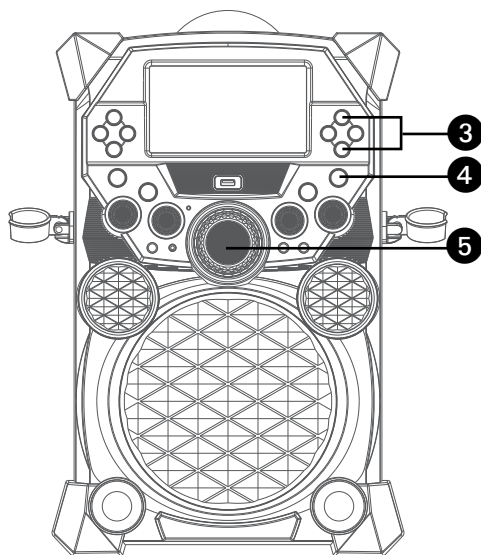
## Playing Songs from the Recorded Files



- 1 Connect the unit as described previously. Press the **ON/STANDBY** button to turn the unit on.
- 2 Press the **Navigation** ▶ Right or ◀ Left button to select the Recordings mode and press the **ENTER** ▶■ button to continue. You can also repeatedly press the **FUNC** button to select the Recordings mode.

### Notes:

- The Recording mode cannot be entered unless a USB flash drive is inserted.
- A loading icon  will appear when the system is loading the files.



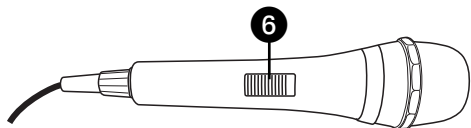
- 3 Use the **Navigation** ▲ Up and ▼ Down buttons to navigate through the list of recorded files that you have previously recorded on your USB.



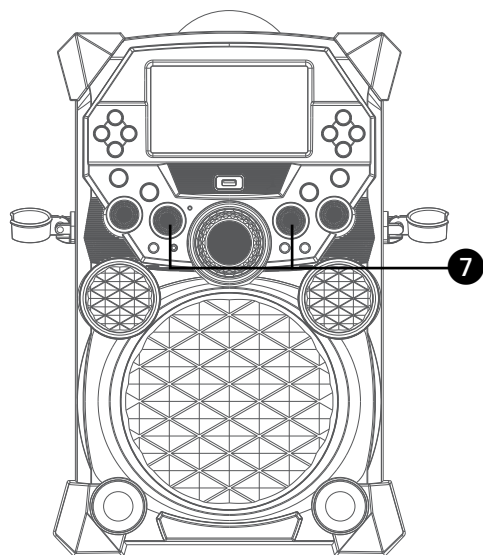
- 4 Press the **ENTER** ▶■ button to start the recorded audio file playback. Press the **ENTER** ▶■ button during playback to pause the file.
- 5 Adjust the volume to a comfortable level using the **MASTER VOLUME** control.

# Operation

## Playing Songs from the Recorded Files (Continued)



**6** You can sing along with your previously recorded song. Simply connect microphone(s) and slide the **ON/OFF** switch on the microphone to the ON position.



**7** Adjust the **MIC VOLUME 1** or **2** control as desired. Increasing this will increase the volume of the the respective microphone(s).

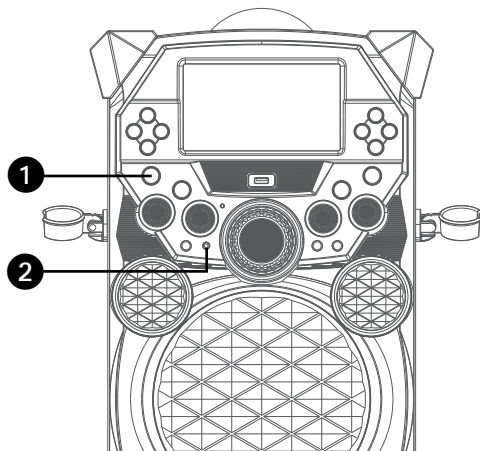
**8** Rotate the **ECHO** control to add an echo effect to your voice. Rotate towards **MAX** to increase the echo effect.

### Notes:

- You can search for a title using the same procedure as shown on page [E15](#).
- You can set and play a Playlist or Favorite using the same procedure as shown on pages [E16 to E18](#).

# Operation

## Using the LINE IN Jack

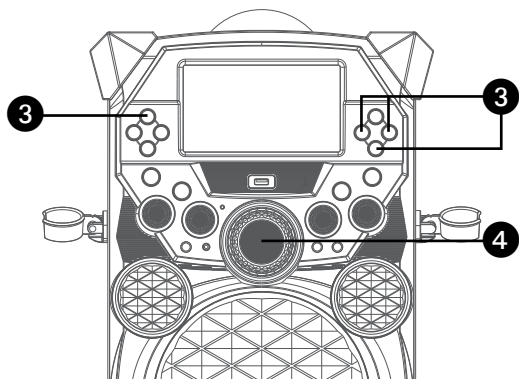


**1** Connect an external unit to the LINE IN jack. Press the **ON/STANDBY** button to turn the unit on.

**2** Connect the external unit to the **LINE IN** Jack on the front of this unit. Connecting an external unit will allow the audio to be played through your Singing Machine.

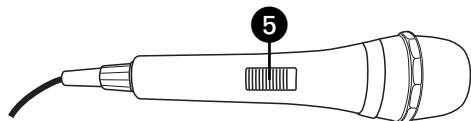
### Notes:

- It is highly recommended to set the volume on the auxiliary unit to 1/3 or lower to avoid distortion.
- Skipping files/tracks is not possible when using an external device.



**3** Press the **Navigation** ▶ Right or ◀ Left button to select the Line In mode and press the **ENTER** button to continue. You can also repeatedly press the **FUNC** button to select the Line In mode.

**4** Adjust the volume using the **Master Volume**, TV or external device.

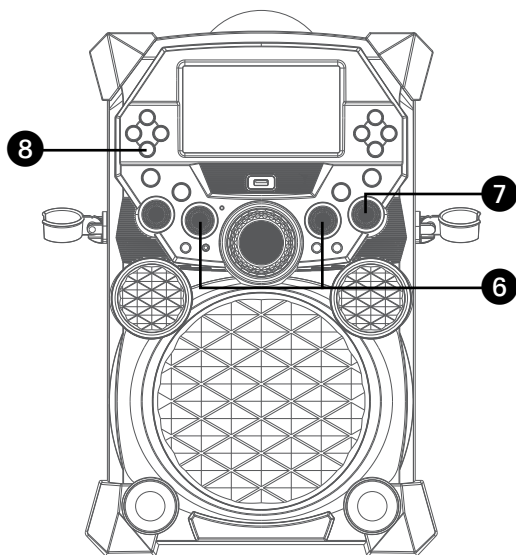


**5** Connect microphone(s) and slide the **ON/OFF** switch on the microphone to the ON position.



# Operation

## Using the LINE IN Jack (Continued)



6 Adjust the **MIC VOLUME 1** or **2** control as desired. Increasing this will increase the volume of the respective microphone.

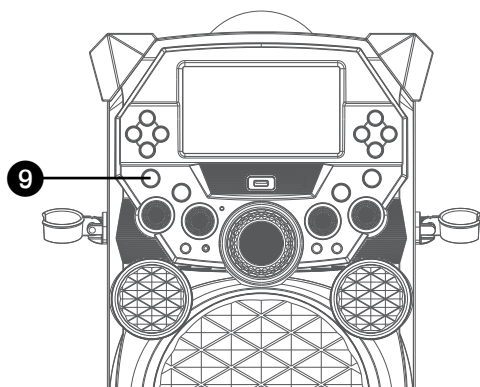
7 Rotate the **ECHO** control to add an echo effect to your voice. Rotate towards **MAX** to increase the echo effect.

8 **RECORDING YOUR SINGING:**  
To record your singing as well as the music, press the **REC** button; recording will begin and the record icon at the bottom right of the monitor will blink red and blue.

When done recording, press the **REC** button again; the Record icon will stop blinking.

### Notes:

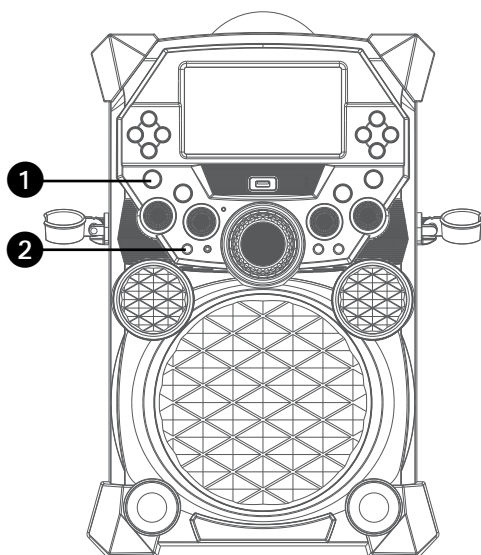
- A USB flash drive must be inserted into USB slot to record.
- The recorded audio file will record onto the USB drive.
- The recorded audio file will be named with the "LINEIN" prefix.
- See section "**Playing Songs from the Recorded Files**" to play back your recorded files.



9 Press the **ON/STANDBY** button to turn the unit off.

# Operation

## Using the EXTERNAL INPUT Jack



**1** Connect the unit as described previously. Press the **ON/STANDBY** button to turn the unit on.

**2** Connect the external unit to the **EXTERNAL INPUT** Jack on the front of this unit. Connecting an external unit will allow the audio to be played through your Singing Machine.

### Notes:

- It is highly recommended to set the volume on the auxiliary unit to 1/3 and the EXTERNAL INPUT Volume control on this unit to 1/3 as well to avoid distortion.
- Skipping files/tracks is not possible when using an external device.

**3** Play the device connected to the EXTERNAL INPUT jack and it will play through this unit regardless of the function selected.

# Troubleshooting Guide

Should this unit exhibit a problem, check the following before seeking service:

## No Power

- Power is not on; press the **ON/STANDBY** button to turn power on.
- Make sure the unit is connected to AC power.
- Confirm the AC adapter is connected securely to the back of the unit
- Connect the unit to a different outlet.
- The unit has no battery left. Connect to AC power to recharge the battery.

## No Sound – General

- Master Volume is set to minimum; raise volume.
- Correct Function was not selected; select using the **Navigation** buttons.

## No Sound – If connected to a TV

- Volume on the TV is muted or too low.
- Correct source (HDMI) was not selected on the TV's menu.

## Lyrics do not appear on the TV screen

- If connected to a TV, HDMI plug is not connected properly; see page E5.
- If connected to a TV, select the correct source on the TV (usually HDMI).
- The file/track being played is not a track recording with lyrics. These are the only files that allow you to view the lyrics on the TV screen.

## No sound from the microphone

- Make sure it is firmly connected to the MIC 1 or MIC 2 jack.
- Make sure the **Power** switch on the Mic is set to the On position.
- Make sure the **MIC VOLUME** controls are not on the lowest setting.
- **MASTER VOLUME** is set to minimum; raise volume.

## File(s) on USB jack not playing

- The file is corrupted; replace file.
- The file is not in a format this unit will play.
- The connected USB device is not supported by the product.

## The Bluetooth device cannot be paired or connected with the unit.

- Ensure any other Bluetooth devices are turned off to avoid accidental pairing.
- You have not activated the Bluetooth function of your device; see page E19 or refer to the Bluetooth device user's manual.
- The system is not in pairing mode; press the **VOCAL/PAIR** button to restart pairing.

## The Music is not available on the unit after successfully connecting the Bluetooth.

- Ensure your Bluetooth device can support the A2DP Bluetooth profile.

# Updating the Firmware

Make sure the USB Flash Drive is securely plugged into the USB slot before running the update. DO NOT interrupt the update. If interrupted during the update process, the software can become corrupted and the unit will no longer function properly.

1. Create a folder on the USB Flash Drive named “user\_update”.
2. Download the latest software (e.g xxxxxx.img) from [www.singingmachine.com/softwareupdates](http://www.singingmachine.com/softwareupdates) and save it into this folder.
3. Plug the USB Flash Drive into the USB jack on the unit and turn the unit on.
4. The unit will update automatically.

# Specifications

## AUDIO

Output Power (Tweeters) ..... 5 Watts (RMS) 8 Ohms (2)  
Output Power (Full range) ..... 30 Watts (RMS) 4 Ohms

## BLUETOOTH

Bluetooth Version ..... V4.2  
Working Distance ..... Up to 30 feet/10 meters measured in open space  
Frequency bank/Output ..... 2.402GHz - 2.480GHz  
Power ..... ISM Band / < 5dBm

## RECORDED FILE

MP3 Encoding ..... 128kbps

## USB

Format ..... FAT32  
Maximum Capacity ..... 32GB

## JACK

Microphone ..... 6.3 mm Microphone Jacks (2)  
External Input ..... 6.3 mm Microphone Jack

## GENERAL

Power ..... AC 100-240V, 50-60Hz, 1.5A  
AC power (power adaptor)  
Brand name ..... GME Technology (Shenzhen) Co.,Ltd.  
Model ..... GME72C-180300FUL  
Output ..... 18V  $\Rightarrow$  3A  
Battery (Lead Acid) ..... 12V 5.0Ah  
Dimensions - Main Unit ..... 22.2 (H) x 14.5 (W) x 13.8 (D) in (565 x 368 x 350 mm)  
Weight - Main Unit ..... 20.7 lbs (9.4 kg)  
Microphone ..... -74 dB 600 Ohms impedance with 6.3 mm Dynamic Microphone

Specifications are subject to change without notice.



The terms HDMI and HDMI High-Definition Multimedia Interface, and the HDMI Logo are trademarks or registered trademarks of HDMI Licensing Administrator, Inc. in the United States and other countries.



The Bluetooth® word mark and logos are registered trademarks owned by Bluetooth SIG, Inc. and any use of such marks by The Singing Machine Company, Inc. is under license. Other trademarks and trade names are those of their respective owners.

Visit Our Website: [www.singingmachine.com](http://www.singingmachine.com)

Singing Machine is distributed in the UK and Europe by:

Copyright © 2019 All Rights Reserved.

PDT Limited  
Unit 4b, Greengate Industrial Estate, White Moss View,  
Middleton, Manchester, M24 1UN, United Kingdom  
[info@pdtuk.com](mailto:info@pdtuk.com)

PRINTED IN CHINA  
9050-xxxx-ENG01-PDT