

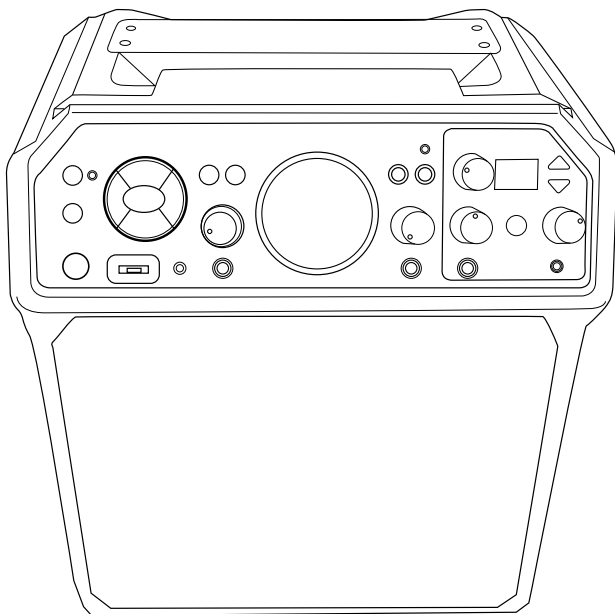


**singing machine<sup>®</sup>**

creating Joy through music™

# **SDL2093 STUDIO**

INSTRUCTION MANUAL



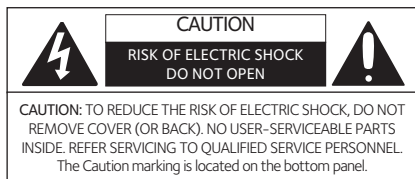
**[www.singingmachine.com](http://www.singingmachine.com)**

The Singing Machine<sup>®</sup> is a registered trademark of The Singing Machine Co., Inc.

# Contents

Warnings and Important Safety Information.....	1
Included.....	2
Location of Controls .....	3-5
Connection.....	6
Connecting the Microphone(s).....	6
Connecting the Unit to a TV .....	6
Connecting to AC Power .....	7
Connecting Headphones.....	7
Changing the Interactive Microphone's Battery .....	8
Rechargeable Battery.....	9
Singing Machine USB Flash Drive.....	10
Operation .....	11
Microphone Remote Operation .....	11
Light Mode .....	12
Function Indicator .....	12
Auto-Tune® .....	13-14
Auto-Tune® Advanced Settings .....	15-16
Playing Songs from the USB .....	17-23
Using a Bluetooth Device.....	24-26
Playing Songs from the Recorded Files.....	27-28
Using the LINE IN Jack .....	29-30
Using the EXTERNAL INPUT Jack .....	31
Troubleshooting Guide.....	32
Updating the Firmware .....	33
Specifications .....	33

# Warnings



**DANGEROUS VOLTAGE:** The lightning flash with arrowhead symbol within an equilateral triangle is intended to alert the user to the presence of uninsulated dangerous voltage within the product's enclosure that may be of sufficient magnitude to constitute a risk of electric shock to persons.



**ATTENTION:** The exclamation point within an equilateral triangle is intended to alert the user to the presence of important operating and maintenance (servicing) instructions in the literature accompanying this product.

**DRIPPING WARNING:** This product shall not be exposed to dripping or splashing, and no objects filled with liquids, such as vases, shall be placed on the product.

**VENTILATION WARNING:** The normal ventilation of the product shall not be impeded for intended use.

**CAUTION:** TO PREVENT ELECTRIC SHOCK, MATCH WIDE BLADE OF PLUG TO WIDE SLOT AND FULLY INSERT.

Le présent appareil est conforme aux CNR d'Industrie Canada applicables aux appareils radio exempts de licence. L'exploitation est autorisée aux deux conditions suivantes:

- (1) l'appareil ne doit pas produire de brouillage, et
  - (2) l'utilisateur de l'appareil doit accepter tout brouillage radioélectrique subi, même si le brouillage est susceptible d'en compromettre le fonctionnement.
- Cet équipement doit être installé et utilisé à une distance minimale de 20 cm entre le radiateur et votre corps.

**WARNING:** TO PREVENT FIRE OR SHOCK HAZARD, DO NOT EXPOSE THIS UNIT TO RAIN OR MOISTURE.

**FCC WARNING:** This equipment may generate or use radio frequency energy. Changes or modifications to this equipment may cause harmful interference unless the modifications are expressly approved in the instruction manual. The user could lose the authority to operate this equipment if an unauthorized change or modification is made.

This device complies with part 15 of the FCC Rules. Operation is subject to the following two conditions: (1) This device may not cause harmful interference, and (2) this device must accept any interference received, including interference that may cause undesired operation.

**NOTE:** This equipment has been tested and found to comply with the limits for a Class B digital device, pursuant to part 15 of the FCC Rules. These limits are designed to provide reasonable protection against harmful interference in a residential installation. This equipment generates, uses and can radiate radio frequency energy and, if not installed and used in accordance with the instructions, may cause harmful interference to radio communications. However, there is no guarantee that interference will not occur in a particular installation. If this equipment does cause harmful interference to radio or television reception, which can be determined by turning the equipment off and on, the user is encouraged to try to correct the interference by one or more of the following measures:

- Reorient or relocate the receiving antenna.
  - Increase the separation between the equipment and receiver.
  - Connect the equipment into an outlet on a circuit different from that to which the receiver is connected.
  - Consult the dealer or an experienced radio/TV technician for help.
- The rating information is located at the back of the unit.

## INDUSTRY CANADA NOTICE:

This device complies with Industry Canada license-exempt RSS standard(s). Operation is subject to the following two conditions: (1) This device may not cause interference, and (2) This device must accept any interference, including interference that may cause undesired operation of the device. This equipment should be installed and operated with a minimum distance of 20 cm between the radiator and your body.

CAN ICES-3(B)/NMB-3(B)

# Important Safety Information

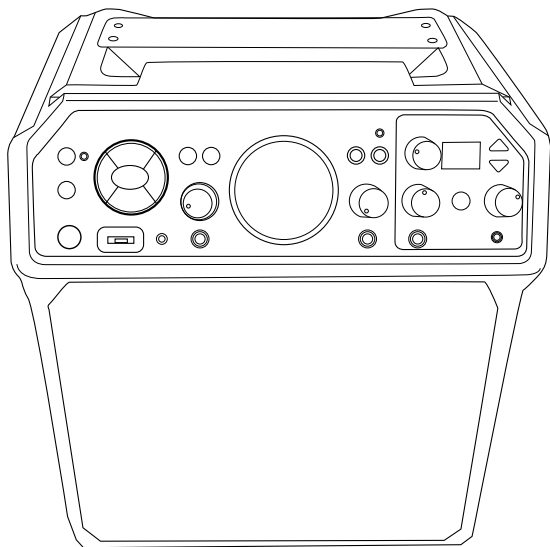
1. Read these Instructions.
2. Keep these Instructions.
3. Heed all Warnings.
4. Follow all Instructions.
5. Do not use this apparatus near water.
6. Clean only with a dry cloth.
7. Do not block any of the ventilation openings. Install in accordance with the Manufacturer's instructions.
8. Do not install near any heat sources such as radiators, heat registers, stoves, or other apparatus (including amplifiers) that produce heat.
9. Do not defeat the safety purpose of the polarized or grounding-type plug. A polarized plug has two blades with one wider than the other. A grounding type plug has two blades and a third grounding prong. The wide blade or the third prong are provided for your safety. When the provided plug does not fit into your outlet, consult an electrician for replacement of the obsolete outlet.
10. Protect the power cord from being walked on or pinched particularly at plugs, convenience receptacles, and the point where they exit from the apparatus.
11. Only use attachments/accessories specified by the manufacturer.
12. Use only with a cart, stand, tripod, bracket, or table specified by the manufacturer, or sold with the apparatus. When a cart is used, use caution when moving the cart/apparatus combination to avoid injury from tip-over.
13. Unplug this apparatus during lightning storms or when unused for long periods of time.
14. Refer all servicing to qualified service personnel. Servicing is required when the apparatus has been damaged in any way, such as power-supply cord or plug is damaged, liquid has been spilled or objects have fallen into the apparatus, the apparatus has been exposed to rain or moisture, does not operate normally, or has been dropped.
15. **WARNING:** To reduce the risk of fire or electric shock, do not expose this apparatus to rain or moisture. Do not place objects filled with water, such as a vase, on the apparatus.
16. The AC mains plug is used as the power disconnect device and it should remain readily accessible and operable during intended use. In order to completely disconnect the apparatus from power, the mains plug should be completely removed from the AC outlet socket.
17. **CAUTION:** To reduce the risk of fire or explosion, do not expose batteries to excessive heat such as sunshine, fire or other heat sources.

PORTABLE CART WARNING  
(symbol provided by IRETAC)



# Included

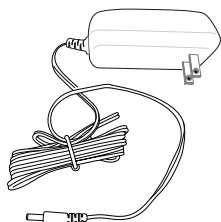
Please make sure the following items are included.



Main Unit



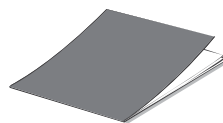
Wired Interactive Microphone



AC Adapter

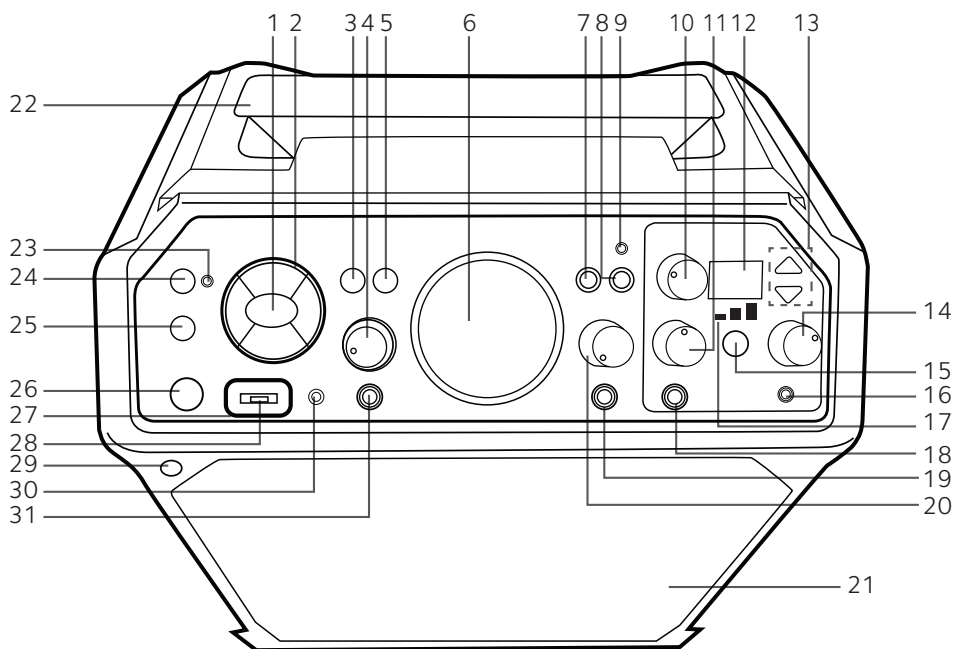


Singing Machine Flash Drive



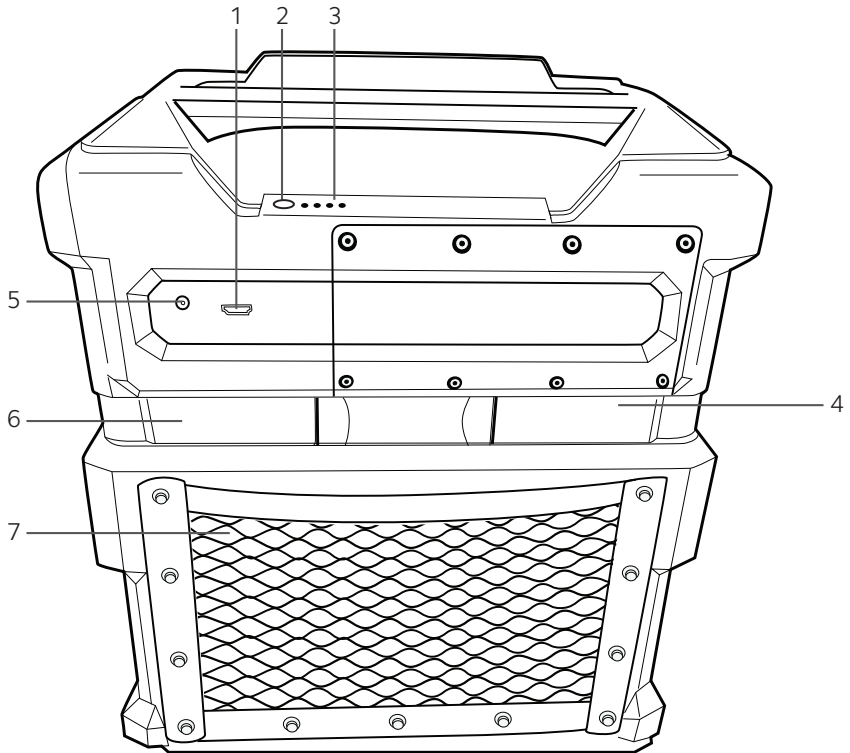
Manual

# Location of Controls (Front)



- |  |                                 |                          |
|--|---------------------------------|--------------------------|
| 1. ENTER/▶■ Button   | 10. KEY SELECT/FX LEVEL Control | 20. MIC 2 VOLUME Control |
| 2. Navigation Buttons (Up ▲, Right ▶, Down ▼, Left ◀ Button) | 11. MIC 1 VOLUME Control        | 21. Speaker              |
| 3. FUNCTION Button   | 12. Display                     | 22. Handle/Cradle        |
| 4. EXT INPUT VOLUME Control                                  | 13. EFFECTS Up/Down Buttons     | 23. Pair Indicator       |
| 5. MENU Button   | 14. HEADPHONES VOLUME Control   | 24. PAIR Button          |
| 6. MASTER VOLUME Control                                     | 15. AUTO-TUNE® Control          | 25. LIGHT MODES Button   |
| 7. LEAD VOCAL Button   | 16. Headphones Jack             | 26. STANDBY/ON Button    |
| 8. RECORD Button   | 17. Auto-Tune® Level            | 27. Function Indicator   |
| 9. RECORD Indicator  | 18. MIC 1 Jack                  | 28. USB Port             |
|  | 19. MIC 2 Jack                  | 29. Remote Sensor        |
|  |                                 | 30. LINE INPUT Jack      |
|  |                                 | 31. EXT INPUT Jack       |

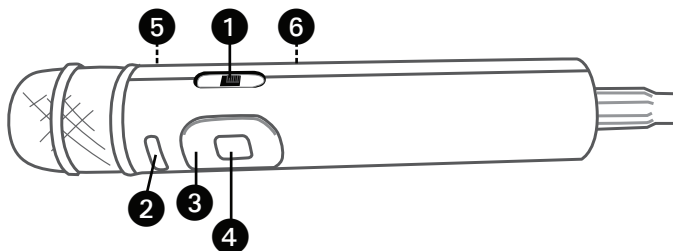
# Location of Controls (Rear/Top)



1. HDMI Jack
2. Battery Level Button
3. Battery Level Indicators
4. Mic Holder (Slides out)
5. DC IN Jack
6. Mic Holder (Slides out)
7. Accessory Storage

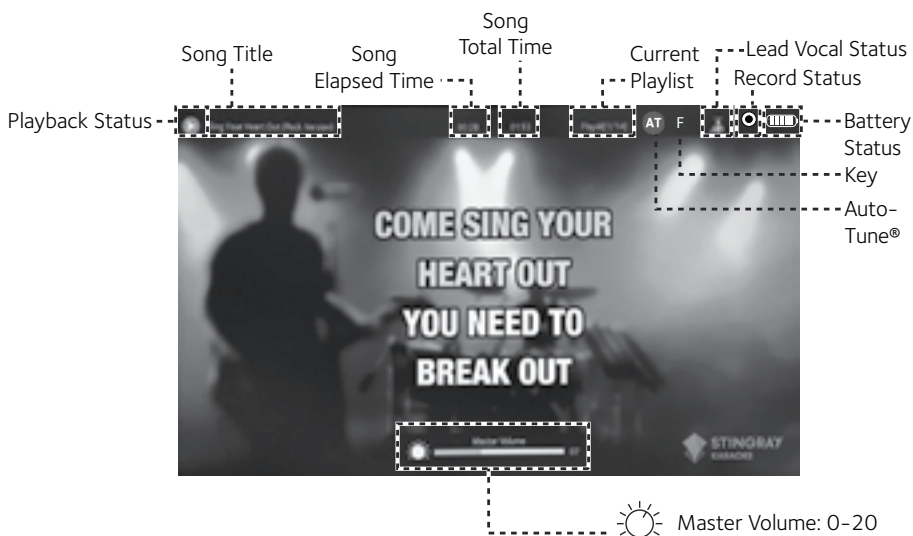
# Location of Controls (Mic)

## Interactive Microphone



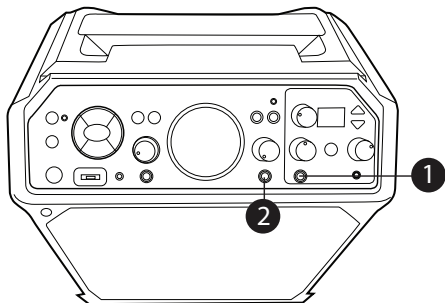
- 1. Mic ON/OFF Switch
- 2. MENU Button
- 3. Navigation Buttons
- 4. ENTER/▶|| Button
- 5. Remote Transmitter (Rear)
- 6. Battery Compartment (Rear)

# Location of Controls (Playback Display)



# Connection

## Connecting the Microphone(s)



### Microphones:

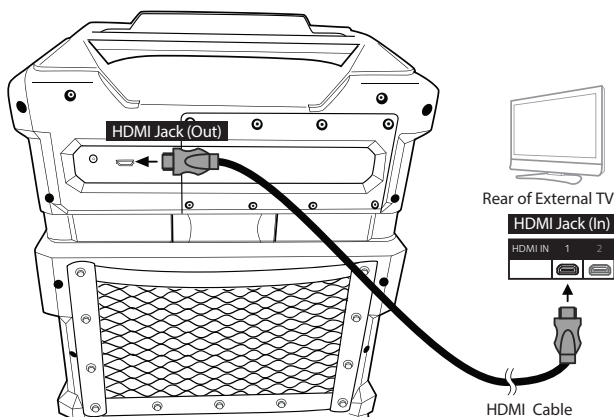
Connect a microphone into MIC 1 Jack **1** as well as MIC 2 Jack **2** (when desired).

### Note:

Do not drop or tap the Mic as damage to the Mic or speakers may occur. Do not twirl the microphone by the cord as it will cause damage to the encased wiring.

---

## Connecting the Unit to a TV



To output the video, lyrics and audio to your TV, perform the following steps:

Plug the HDMI cable (not included) into the HDMI Jack on the back of the unit. Plug the other end of the HDMI cable into the HDMI input on your TV.

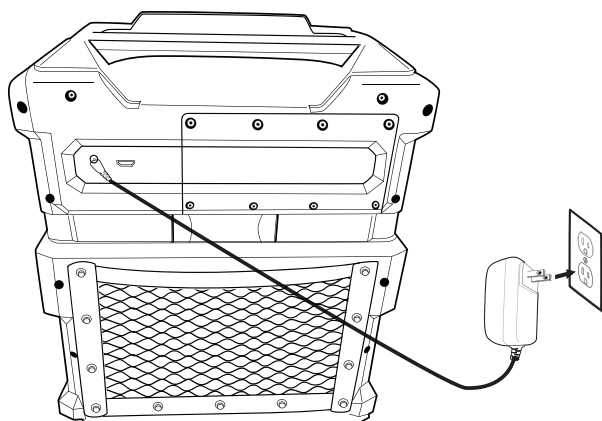
### Notes:

- This unit can be used with or without a TV, but it is highly recommended to use a TV in order to utilize all the features.
- Also refer to the TV's or external unit's User Guide.



# Connection

## Connecting to AC Power

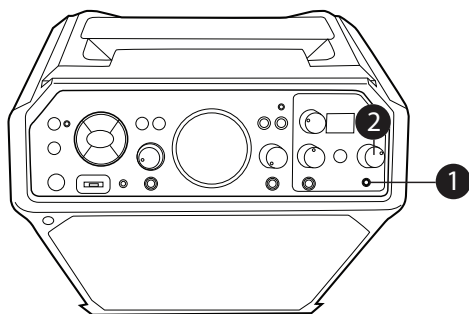


Insert the small end of the AC adapter into the DC IN Jack on the rear of the unit. Insert the other end (with the 2 blades) into a conveniently located AC outlet having 120V AC, 60Hz.

### Note:

Make all connections before connecting to AC power.

## Connecting Headphones



For private listening or to monitor singing, use headphones (not included). Insert headphones into the Headphones jack **1**. The headphones have a dedicated Volume control so rotate the **HEADPHONE VOLUME** control **2** as desired.

The Headphones jack can also be used as an audio out to connect to another audio system using a 3.5mm Auxiliary Audio cable (not included).

# Connection

## Changing the Interactive Microphone's Battery



When performance suffers, change the batteries as follows:

- 1 Unscrew the Battery Compartment screw and remove the door.
- 2 Replace battery with CR2032 button cell battery.
- 3 Replace Battery Compartment and screw.

### **BATTERY PRECAUTIONS:**

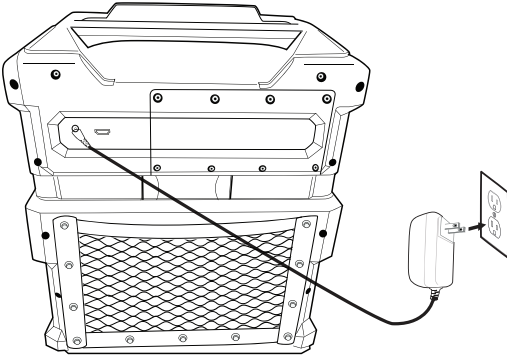
Follow these precautions when using batteries in this device:

1. Warning – Danger of explosion if battery is incorrectly replaced. Replace only with the same or equivalent type.
2. Use only the size and type of batteries specified.
3. Be sure to follow the correct polarity when installing the batteries as indicated in the battery compartment. A reversed battery may cause damage to the device.
4. If the device is not to be used for a long period of time, remove the batteries to prevent damage or injury from possible battery leakage.
5. Do not try to recharge a battery not intended to be recharged; it can overheat and rupture. (Follow battery manufacturer's directions.)
6. Remove batteries promptly if consumed.

# Rechargeable Battery

This unit comes with a built-in rechargeable battery pack that will allow the unit to be used without being connected to AC power. The Battery indicator (top of the unit) will show the battery charge remaining, indicated by the amount of bars. The rechargeable battery pack is not user-replaceable.

We recommend to charge the unit once a month so as to keep the battery in the best condition. When the battery icon turns red and flashing, recharge the unit by following below:



- 1 Insert the AC power cord into a conveniently located AC outlet having 120V AC, 60Hz .
- 2 Allow the unit to charge for approximately twelve hours for a full charge.
- 3 Disconnect the AC cord and the fully charged unit is now ready for use. Battery life can last up to 25 hours depending on playback operations.

**Attention:** The sound volume will adjust automatically when the battery is not full.

**Note:** If you experience battery issues, contact customer service.

## Recycling and Disposal Information:

- Do not dispose of electronic devices or any of their components (especially batteries and LCD displays) in your municipal trash collection.
- Consult your local waste management authority or a recycling organization like [Earth911.com](http://Earth911.com) to find an electronics recycling facility in your area.



**CAUTION:** Rechargeable batteries must be recycled or disposed of properly.

## Lead Acid Battery Warning

- This equipment contains a rechargeable valve-regulated lead acid battery.
- Do not charge the battery in temperatures below 32° F (0° C) or higher than 122° F (50° C).
- Do not open or mutilate the battery.
- The rechargeable batteries contained in this equipment may explode if disposed of in a fire.
- Do not short-circuit the battery.
- Do not charge the rechargeable battery pack used in this equipment with any charger other than the one designed to charge this battery pack, as specified in the owner's manual. Using another charger may damage the battery pack or cause the battery pack to explode.

# Singing Machine USB Flash Drive

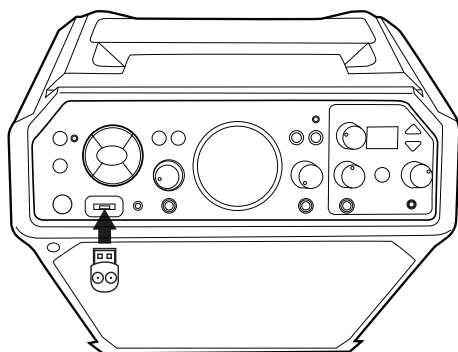


Included with the system is an 8GB **Singing Machine USB Flash Drive** which is used for storing Karaoke songs as well as recordings from this unit.

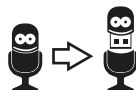
There are two songs included on the **Singing Machine USB Flash Drive** but you can access the Karaoke Store for many more songs. See Welcome Kit for more information.

---

## Inserting the USB Flash Drive



Before you insert the **Singing Machine USB Flash Drive**, make sure to remove it from its stand which will reveal the USB plug.

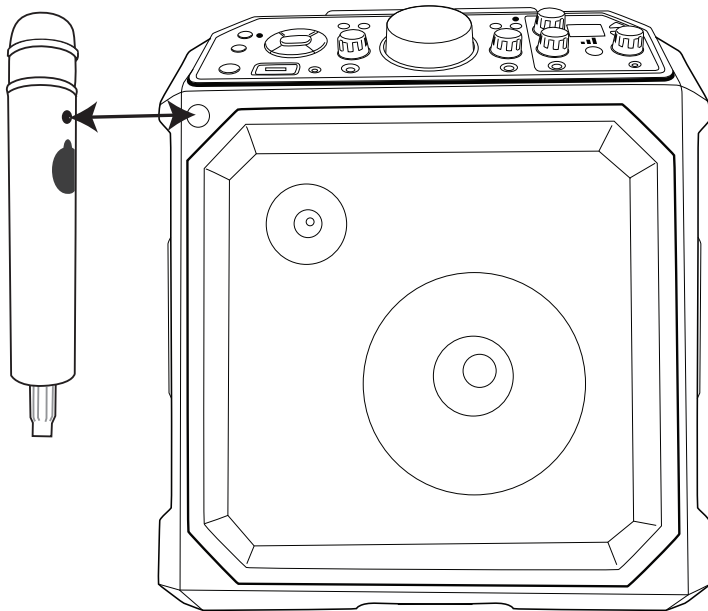


Insert it into the USB slot on the unit with the face towards the top of the unit.

# Operation

## Microphone Remote Operation

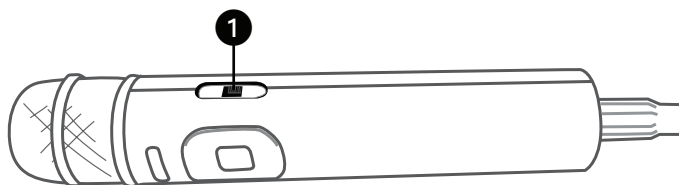
The Microphone is also a remote control that can be used to control the unit. See below for instructions on using the Microphone Remote.



It is very important to point the remote's sensor at the unit's remote sensor (see illustration).

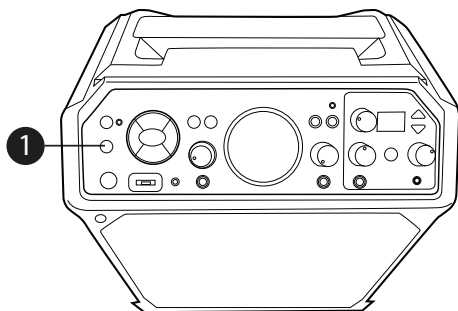
This Microphone Remote's buttons will operate the same way as the main unit's ENTER, Navigation and MENU buttons. When a step says to press one of these buttons, you can use either the unit or the Microphone Remote.

To turn the Microphone On, slide the ON/OFF switch **1** to the ON position.



# Operation

## Light Mode



1 There are three Light modes. Repeatedly press the **LIGHT MODES** button to select a mode as follows:

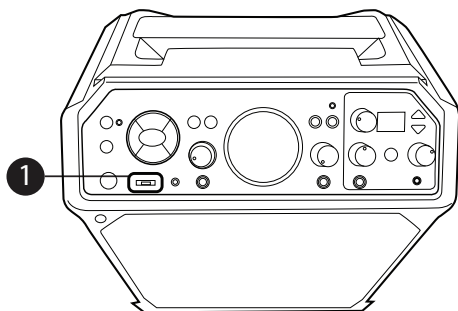
**Light Mode 1:** The unit will synchronize to the music being played.

**Light Mode 2:** The unit will light up with random colors and patterns.

**Light Mode 3:** The light effects will be turned off.

---

## Function Indicator



1 The Function indicator (around the USB port) will change colors depending on the mode selected as follows:

**Blue:** Bluetooth

**Green:** Line-In

**Orange:** USB

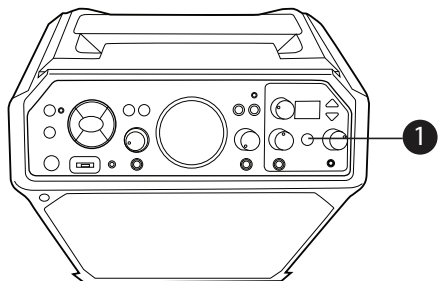
**Purple:** Auto-Tune Advanced Settings

**Red:** Recordings

# Operation

## Auto Tune®

The Auto Tune® feature is shown in a dedicated area at the front (top right) of the unit. This will allow you to Auto-Tune® your voice like the professionals.

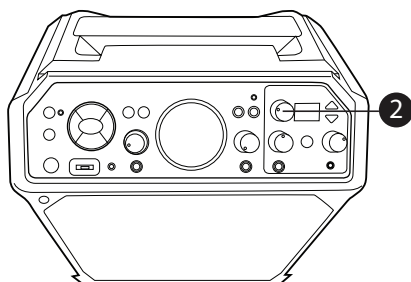


- 1 With the unit on, press the **AUTO-TUNE®** control button once to activate; the first Auto-Tune® Level indicator will light. This is the Natural Auto-Tune® setting and what is commonly used in the music industry to level out and fix a singer's voice behind the scenes. It's subtle and is meant to provide a natural fix to a singer's voice.

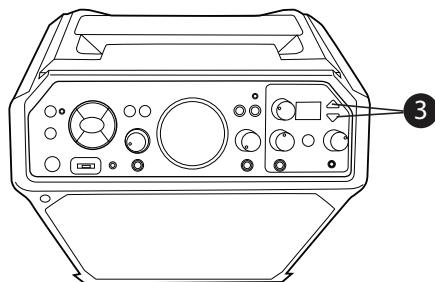
Press the **AUTO-TUNE®** control button again; the second Auto-Tune® Level indicator will light. This is a medium level, a bit stronger than natural but not full intensity of Auto-Tune®.

Press the **AUTO-TUNE®** control button again; the third Auto-Tune® Level indicator will light. This is the extreme level which is the iconic sound that has made Auto-Tune® famous in pop and hip-hop.

**Note:** Plug mic into mic 1 jack. Auto-Tune® feature is only available through mic 1 jack.



- 2 The Auto-Tune® default key is set to C. To change, press the **KEY SELECT/FX LEVEL** control and the current key will appear. Rotate the **KEY SELECT/FX LEVEL** control to select the desired key, the respective key tone will sound and be selected.

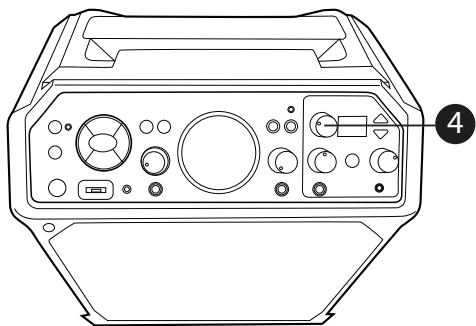


- 3 Press the **EFFECTS Up or Down** button to select a desired effect. See top of next page for Effects. Have fun experimenting with the effect to find the best results for individual songs.

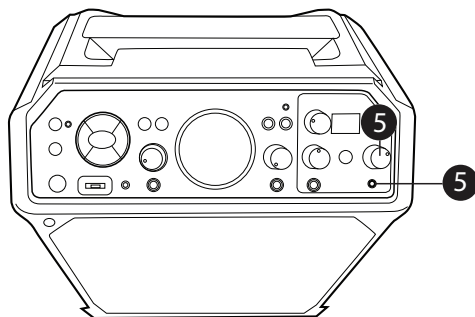
# Operation

## Auto Tune® (Continued)

Name	Display	Effect Description
None	--	No Vocal Effects
Studio Pop	P1	Short 'n fast echo followed by clean 'n bright studio plate reverb
80's Pop	P2	A familiar 80's-style long echo with vocal chorusing
Live Pop	P3	Live pop show performance in a large auditorium
Rap	H1	School gym echo with a fast & short echo
Hip/Hop	H2	Grungy & fast lo-fi echo
Old School MC	H3	"Springy" reverb with lots of reflective echoes
Rock Star	R1	Big & dramatic reverb for arena-rock legends
Rock Club	R2	Rocking out in a small club
Alternative Doubling	A1	Classic & versatile studio phasing / flanging / doubling effect
Alternative Tape Echo	A2	Vintage, lo-fi tape echo effect
Concert Hall	Co	Clean symphony hall reverb with short pre-echo
Lo-Fi Grunge	G1	Distorted & filtered megaphone / transistor radio
Garage	G2	Primitive yet vintage analog echo effects pedal
Nashville Country	CT	Classic slapback echo with a twangy reverb



- 4 Rotate the **KEY SELECT/FX LEVEL** control to set the desired effect level.



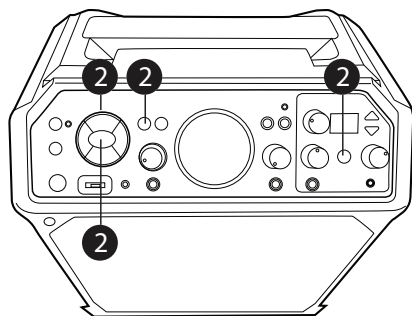
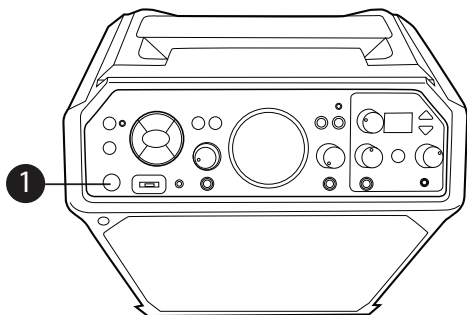
- 5 To monitor your singing, use headphones (not included). Insert headphones into the Headphone jack. The headphones have a dedicated Volume control so rotate the **HEADPHONE'S VOLUME** control as desired. The Headphones jack can also be used as an audio out to connect to another audio system using a 3.5mm auxiliary audio cable (not included).



# Operation

## Auto Tune® Advanced Settings

The Auto Tune® Advanced Settings will allow you to create custom presets and make adjustments as desired.



- 1 Connect the unit to a TV as described previously. Press the **STANDBY/ON** button to turn the unit ON.
- 2 Press the **Navigation** ▶ Right or ◀ Left button to select the Auto-Tune® Advanced Settings, then press the **ENTER ▶|||** button; the Function indicator will light purple. You can also repeatedly press the **FUNCTION** button or press and hold the **AUTO-TUNE®** control button to select the Auto-Tune® Advanced Settings. You can also press and hold the microphone's **MENU** button to go into AT advanced settings menu.
- 3 While on this screen you can make adjustments to the following Auto-Tune® and Vocal Effect Settings using the **Navigation** and **ENTER ▶|||** buttons (see note on next page for more control options) :

**AUTO-TUNE®**: Turn on or off.

**KEY/SCALE**: When Auto-Tune® is turned on, set the desired key.

**AUTO-TUNE® LEVEL**: Set the slider for a more Natural or Extreme sound or anywhere in between.

**REVERB**: Select from available reverb options or turn off.

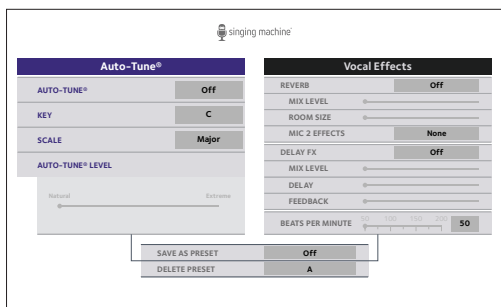
**MIX LEVEL, ROOMS SIZE**: When Reverb is on, set sliders as desired.

**MIC 2 EFFECTS**: Set the desired effect for microphone 2.

**DELAY FX**: Select from available Delay options or turn off.

**MIX LEVEL, DELAY, FEEDBACK**: When Delay Fx is turned on, set sliders as desired.

**BEATS PER MINUTE**: Set the slider for the desired beats per minute.



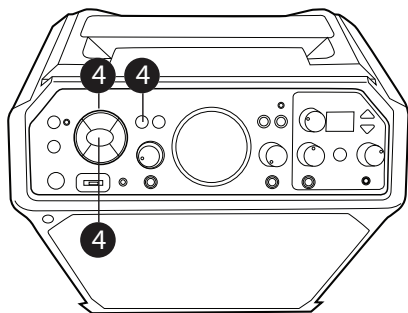
# Operation

## Auto Tune® Advanced Settings (Continued)

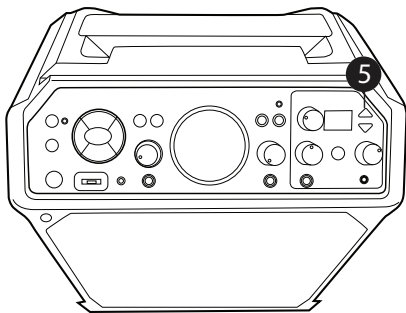
### Note:

The previous steps showed how to adjust the settings using the **Navigation** and **ENTER ►|||** buttons on the main unit. You can also use the following controls:

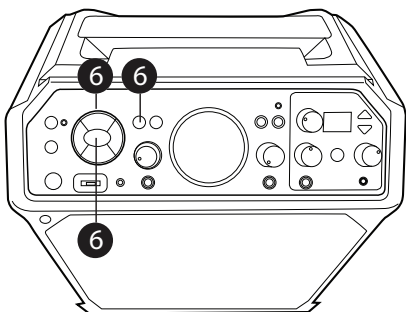
- **Navigation** and **ENTER ►|||** buttons on the mic's remote.
- **KEY EFFECT/FX LEVEL** control can be rotated and pressed.



**4** To save a preset (you can save two presets, names A and B), use the **Navigation** buttons to select SAVE AS PRESET, then press the **ENTER ►|||** button. Use the **Navigation ►** Right or **◀** Left button to select a desired preset (A or B), then press the **ENTER ►|||** button to save.



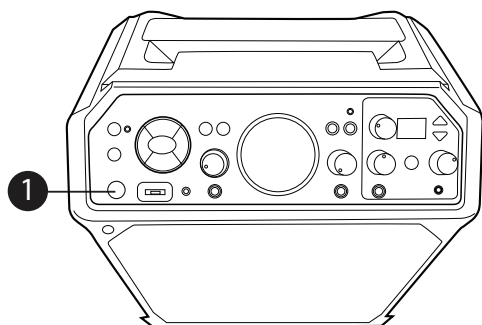
**5** The saved preset (A or B) will be shown on the unit's display. To manually select it, press the **EFFECTS Up or Down** button to cycle through the options. The presets will now be one of the available vocal effects and machine display with show custom preset as A or B.



**6** To delete a preset, use the **Navigation** buttons to select DELETE PRESET, then press the **ENTER ►|||** button. Use the **Navigation ►** Right or **◀** Left button to select the preset to delete, then press the **ENTER ►|||** button to delete.

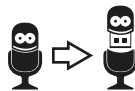
# Operation

## Playing Songs from the USB

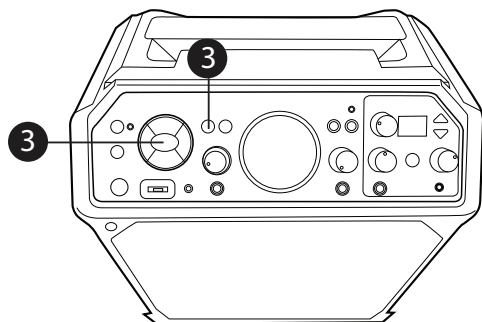


1 Connect the unit as described previously. Press the **STANDBY/ON** button to turn the unit ON.

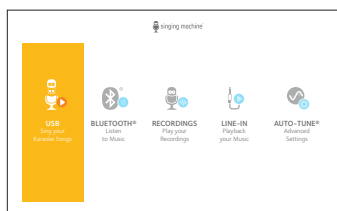
2 Remove the provided Singing Machine flash drive from its stand to reveal the USB plug. Insert it into the USB slot on the unit so it faces upward.



**Note:**  
The Singing Machine flash drive has an 8GB capacity (the actual capacity may vary slightly).



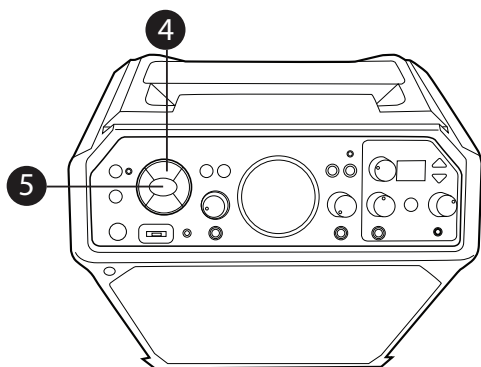
3 The USB mode will be selected by default; press the **ENTER ►||** button to enter the USB mode; the Function indicator will light orange. You can also repeatedly press the **FUNCTION** button until the Function indicator lights orange to select the USB mode.



- A loading icon will appear on the TV when the system is loading the songs.
- The USB mode cannot be accessed until a flash drive is inserted.
- Unit must be connected to a TV to access the USB song list. Songs will not display on this unit's mini display.

# Operation

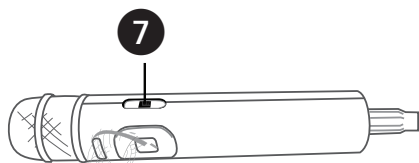
## Playing Songs from the USB (Continued)



- 4 Use the **Navigation** ▲ Up and ▼ Down buttons to navigate through the list of songs that you have previously downloaded on your USB.



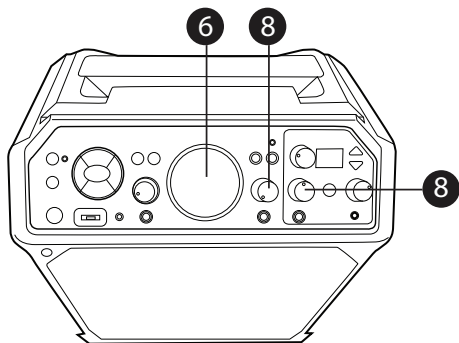
- 5 Press the **ENTER** ►|| button to start the playback. The HD karaoke video will play on the TV. Press the **ENTER** ►|| button during playback to pause the song. Press the **MENU** button at any time to go back to the USB menu.



- 6 Adjust the volume to a comfortable level using the **MASTER VOLUME** control.

### Note:

- If connected to a TV, you can also control the TV's volume with the TV's volume control.

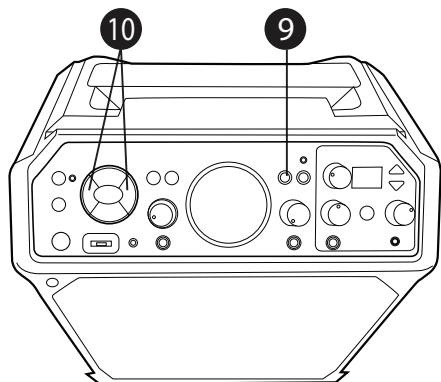




- 7 Connect the microphone(s). Slide the Mic's **ON/OFF** switch to the ON position.

- 8 Adjust the **MIC VOLUME 1** or **2** control as desired. Increasing this will increase the volume of the respective microphone.

# Operation



## Playing Songs from the USB (Continued)





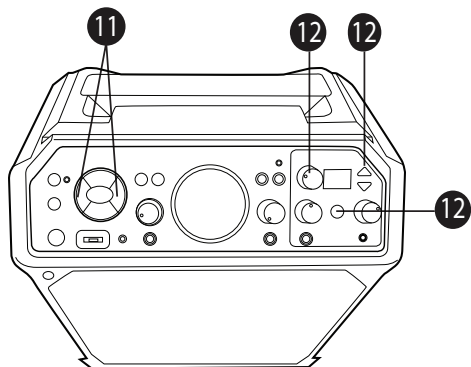
- 9 LEAD VOCAL:** To sing with the lead singer on the recording press the **LEAD VOCAL** button; “” will appear at the top right of the TV screen). To listen to music only, press the **LEAD VOCAL** button again; “” will appear over the Lead Vocal Status icon.

### Note:

The song must be recorded with separate vocals that is downloaded (aka multiplex recording) in order to utilize the Lead Vocal function.

- 10 SKIP:** Advance or go back one track (not video) by pressing the **Navigation**  Right or  Left button.

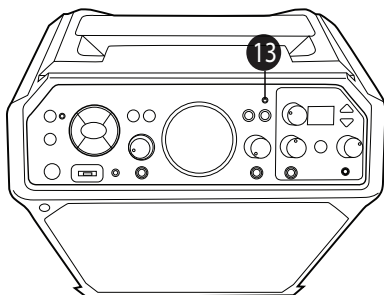
- 11 TO ADVANCE ON THE TRACK:** During playback, press and hold the **Navigation**  Right or  Left button to move forward or backward through the song. When you release the button, normal playback will resume.



- 12 AUTO-TUNE®:** See pages 13 to 16 for more details. Press the **AUTO-TUNE®** control button once to activate; the first Auto-Tune® Level indicator will light, this is Natural Auto-Tune®, it will give a singer’s voice a subtle enhancement to stay on key. Press a second time for a stronger enhancement and a third time for Extreme Auto-Tune® effect. Press the **EFFECTS Up or Down** button to select a desired effect (see page 14). Rotate the **KEY SELECT/ FX LEVEL** control to select the desired level which will be indicated temporarily on the display.

# Operation

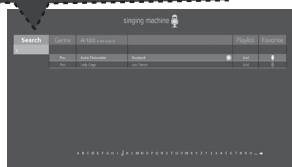
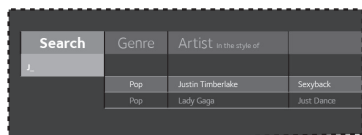
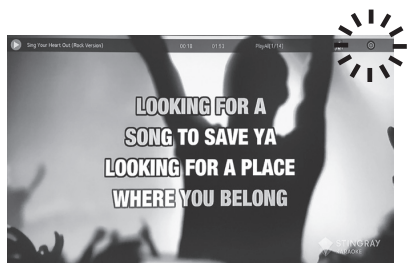
## Playing Songs from the USB (Continued)



- 13 RECORDING YOUR SINGING:**  
To record your singing as well as the music, press the **Record** button; recording will begin and the record indicator will light.  
When done recording, press the **Record** button again; the Record indicator will turn off.

### Notes:

- The recorded audio file will record onto the USB drive.
- The recorded audio file will be named starting with the Karaoke song title.
- See “Playing Songs from the Recorded Files” section on page 27 to play back your recorded files.



- 14 SEARCHING BY ARTIST OR TITLE:**  
While in the USB menu, select **Search** using the **Navigation** ◀ Left and ▶ Right buttons, then press the **ENTER** ►||| button. The alphabet will appear at the bottom of the TV screen. Select the desired starting letter using the **MASTER VOLUME** control, then press the **ENTER** ►||| button to select it. A list of songs that meet the criteria will appear. Use the **Navigation** ▲ Up and ▼ Down buttons to navigate through the list of songs, then press the **ENTER** ►||| button to play your selection, or select the next letter the same way.

### Note:

- You can search up to six letters; after the sixth letter the search will reset.

# Operation

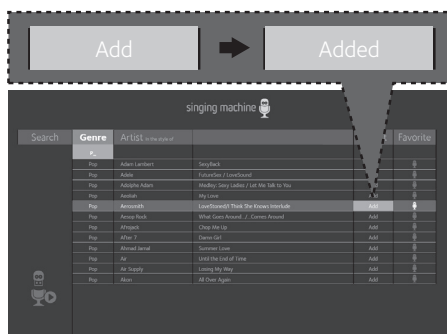
## Playing Songs from the USB (Continued)



**15 SEARCHING BY GENRE, ARTIST or TITLE:** To filter by Genre, Artist or Title, select the **Genre**, **Artist**, or **Title** using the **Navigation** ◀ left and ▶ right buttons, then press the **ENTER** ►||| button. The alphabet will appear at the bottom of the TV screen; select the desired starting letter using the **MASTER VOLUME** control, then press the **ENTER** ►||| button to select it. A list of songs that meet the criteria will appear. Use the **Navigation** ▲ Up and ▼ Down buttons to navigate through the list of songs then press the **ENTER** ►||| button to play your selection, or select the next letter the same way.

### Note:

- You can search up to six letters; after the sixth letter the search will reset.



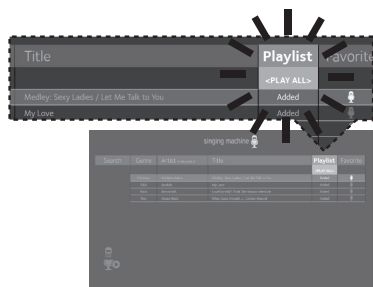
**16 CREATING THE PLAYLIST:** To create a personalized playlist, select a song using the **Navigation** ▲ Up and ▼ Down buttons, then scroll to the **Playlist** column (Add) using the **Navigation** ▶ Right or ◀ Left button. Press the **ENTER** ►||| button to confirm the operation; “Added” will appear. Repeat this step to add more songs.

### Notes:

- The personalized Playlist will be kept even if the unit is turned on or off.
- You can always edit your Playlist after you create it by selecting a song that was added and pressing the **ENTER** ►||| button again; “Added” will change to “Add”.

# Operation

## Playing Songs from the USB (Continued)



**17 USING THE PLAYLIST:** To play your previously created playlist, select **Playlist** using the **Navigation** ▶ Right and ◀ Left buttons, then press the **ENTER** ▶||| button; the row under Playlist will be highlighted. Select the desired selection using the **Navigation** ▶ Right and ◀ Left buttons as follows:

**TO PLAY ALL:** Select **Play All** and then press the **ENTER** ▶||| button to play back all of the Playlist songs. (See next page to add favorites.)

### PRIORITY:

a. Select priority and then navigate down to the song you want to prioritize.

b. Press the **Navigation** ▶ Right button and the numbers will change to 0001, 0002 etc. According to the numbers displayed the songs will be listed in that order from top to bottom.

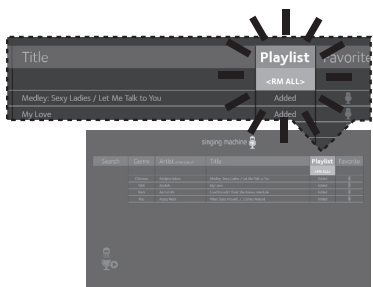
c. After setting all songs on your priority list press the **MENU** button then the play list will be highlighted.

d. Use the **Navigation** ▼ Down button to select the first song and press the **ENTER** ▶||| button to start the playback of all songs on the play list

e. To change the Priority list, navigate up and down to select the songs you want to play in the order you desire.

**REMOVE:** Select **Remove** and then select a song to remove using the **Navigation** ▲ Up and ▼ Down buttons. Press the **ENTER** ▶||| button; the song will be deleted from the playlist.

**RM ALL:** To remove the whole Playlist, select **RM ALL** and then press the **ENTER** ▶||| button; the whole Playlist will be deleted.





# Operation

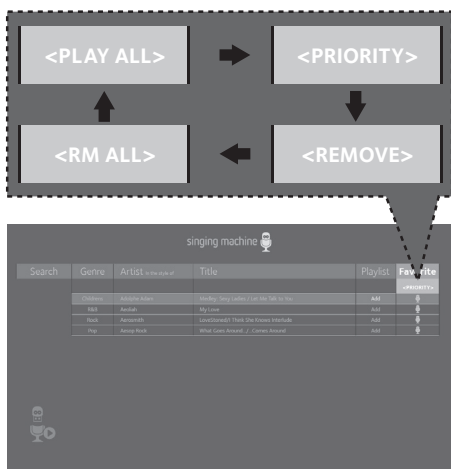
## Playing Songs from the USB (Continued)



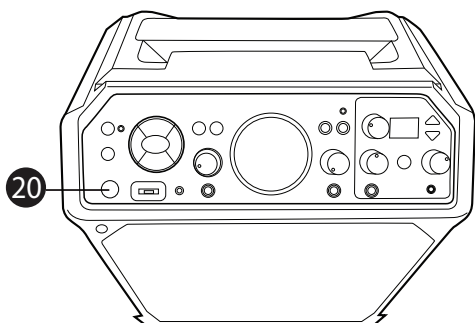
**18 CREATING FAVORITES:** To create a favorite playlist, select a song using the **Navigation** ▲ Up and ▼ Down buttons, then scroll to the **Favorite** column using the **Navigation** ► Right or ◀ Left button. Press the **ENTER** ►|| button to confirm the operation; the icon will turn from white to blue. Repeat this step to add more songs.

### Notes:

- The Favorites will be stored even if the unit is turned on or off.
- You can always edit Favorites after you create them by selecting a song that was added and pressing the **ENTER** ►|| button again; the icon will change from blue to white.



**19 USING THE FAVORITES PLAYLIST:** To play or edit your previously created Favorite playlist, you can use the **Navigation** ► Right and ◀ Left buttons to select the **Favorite** tag. Then press the **ENTER** ►|| button to show the favorites list. Perform the same steps as shown in the USING THE PLAYLIST section on the previous page to play and edit the Favorite playlist.



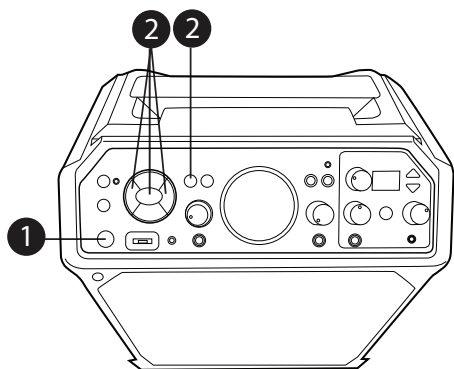
**20** Press the **STANDBY/ON** button to turn the unit off.

### Note:

When in the Menu screen, press the **MENU** button to go back and change categories; i.e. while in the Playlist column press the **MENU** button to go back and then select the Artist column, etc.

# Operation

## Using a Bluetooth Device



1 Connect the unit as described previously. Press the **STANDBY/ON** button to turn the unit on.

2 Press the **Navigation** ▶ Right or ◀ Left button to select the Bluetooth mode, then press the **ENTER ▶||** button; the Function indicator will light blue.

**Note:** Bluetooth pairing mode can be entered at anytime by pressing the **PAIR** button. You can also repeatedly press the **FUNCTION** button to select the Bluetooth mode. The Bluetooth indicator will blink to show the unit is ready to pair and “Please connect your Music Device” will appear in the monitor.

3 Turn on your device’s Bluetooth option in settings to search for a discoverable device with a Bluetooth signal. Select “**Singing Machine STUDIO**” from the device results on the Bluetooth menu.

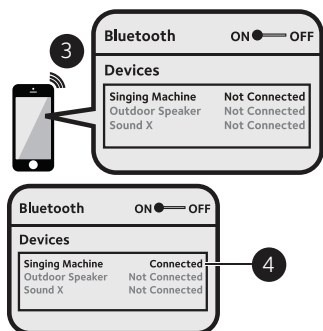
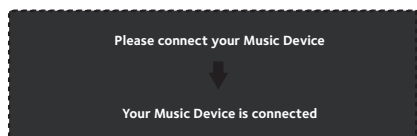
### Notes:

- Always refer to the user manual of your Bluetooth device for detailed instructions.
- You can also press the **PAIR** button to disconnect any paired devices in order to pair another device.

4 The Bluetooth indicator will light solid and the monitor will display “Your Music Device is connected”.

### Notes:

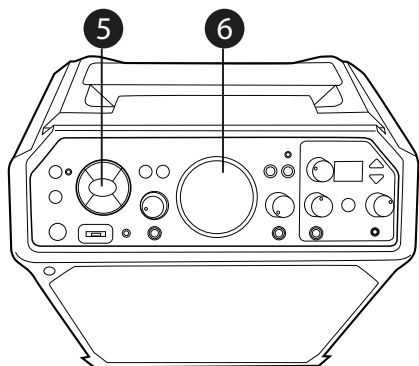
- If your Bluetooth device prompts you for a passcode during the pairing process, please enter “0000” to connect.
- On some Bluetooth devices, once pairing is complete, select your Bluetooth device as “Use as Audio Device” or similar.
- If connection is lost after successful pairing, check to make sure the distance between speaker and Bluetooth-enabled device does not exceed 30 ft/10 meters.



# Operation

## Using a Bluetooth Device (Continued)

**Note:** You can view the lyrics on your mobile device/tablet and get more songs by downloading the “The Singing Machine Mobile Karaoke App”; refer to the Welcome Kit for more information.

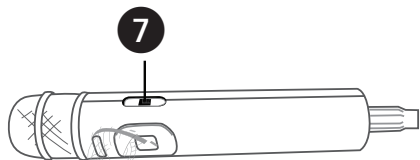


**5** You can control your Bluetooth device to start the music playback OR press the **ENTER ▶||** button to start playback. Press the **ENTER ▶||** button during playback to pause the song.

**6** Adjust the volume to a comfortable level using the **MASTER VOLUME** control on this unit as well as the Volume on your Bluetooth device.

**Note:**

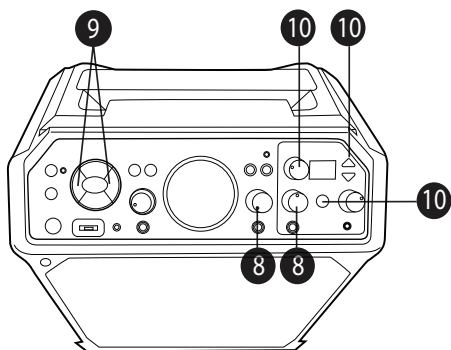
If connected to a TV, you can adjust the TV's volume as well.



**7** Connect the microphone(s). Slide the Mic's **ON/OFF** switch to the ON position.

**8** Adjust the **MIC VOLUME 1 or 2** control as desired. Increasing this will increase the volume of the respective microphone.

**9 SKIP:** Advance or go back one track by pressing the **Navigation ▶ Right** or **◀ Left** button.

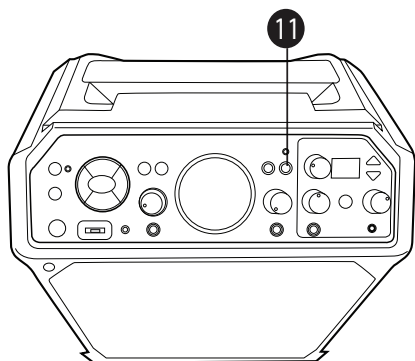


**10 AUTO-TUNE®:** See pages 13 to 16 for more details. Press the **AUTO-TUNE®** control button once to activate; the first Auto-Tune® Level indicator will light, this is Natural Auto-Tune®, it will give a singer's voice a subtle enhancement to stay on key. Press a second time for a stronger enhancement and a third time for Extreme Auto-Tune® effect. Press the **EFFECTS Up or Down** button to select

# Operation

## Using a Bluetooth Device (Continued)

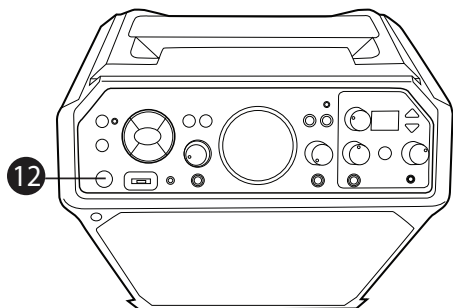
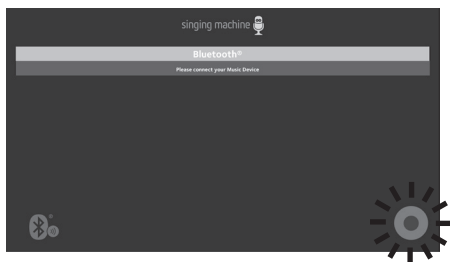
a desired effect (see page 14). Rotate the **KEY SELECT/FX LEVEL** control to select the desired level which will be indicated temporarily on the display.



- 11 RECORDING YOUR SINGING:**  
To record your singing as well as the music, press the **Record** button; recording will begin and the **Record** indicator will light. When done recording, press the **Record** button again; the Record indicator will turn off.

### Notes:

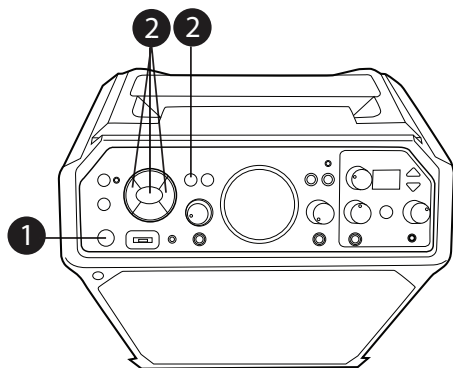
- The recorded audio file will record onto the USB drive.
- The recorded audio file will be named with the "BT" prefix.
- See "Playing Songs from the Recorded Files" section on page 27 to play back your recorded files.



- 12** Press the **STANDBY/ON** button to turn the unit off.

# Operation


## Playing Songs from the Recorded Files



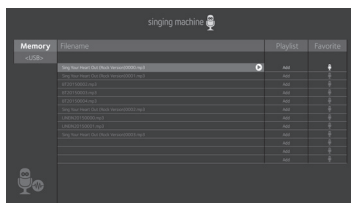
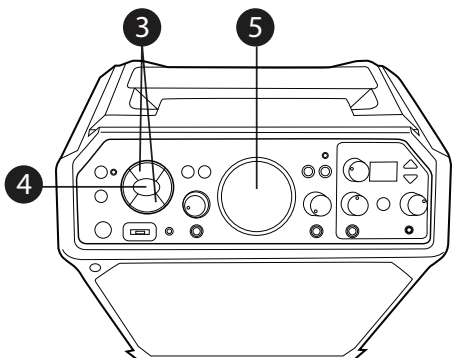
1 Connect the unit as described previously and make sure a USB drive is inserted into the USB port. Press the **STANDBY/ON** button to turn the unit on.

2 Press the **Navigation** ▶ Right or ◀ Left button to select the Recordings mode and press the **ENTER ▶|||** button to continue; the Function indicator will light red. You can also repeatedly press the **FUNCTION** button until the Function indicator lights red to select the Recordings mode.

### Notes:

- The Recording mode cannot be entered unless a USB flash drive is inserted.
- A loading icon  will appear when the system is loading the files.

3 Use the **Navigation** ▲ Up and ▼ Down buttons to navigate through the list of recorded files that you have previously recorded on your USB drive.

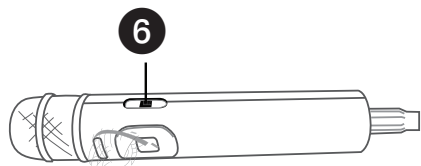


4 Press the **ENTER ▶|||** button to start the recorded audio file playback. Press the **ENTER ▶|||** button during playback to pause the file.

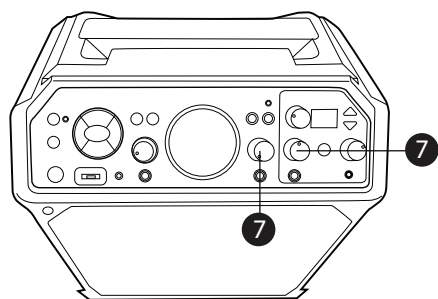
5 Adjust the volume to a comfortable level using the **MASTER VOLUME** control.

# Operation

## Playing Songs from the Recorded Files (Continued)



**6** You can sing along with your previously recorded song. Simply connect the microphone(s). Slide the Mic's **ON/OFF** switch to the ON position.



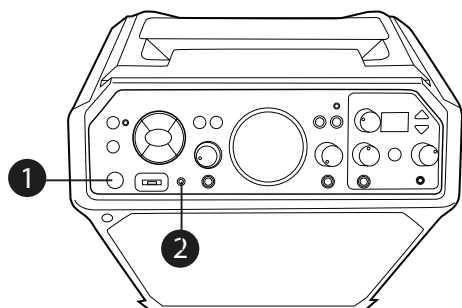
**7** Adjust the **MIC VOLUME 1 or 2** control as desired. Increasing this will increase the volume of respective microphone.

### Notes:

- You can search for a title using the same procedure as shown on page 20.
- You can set and play a Playlist or Favorite using the same procedure as shown on pages 21 to 23.

# Operation

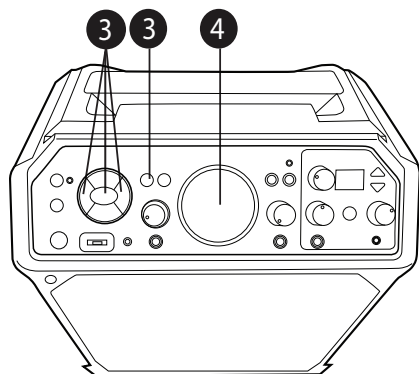
## Using the LINE IN Jack



- 1 Connect the unit as described previously. Press the **STANDBY/ON** button to turn the unit on.
- 2 Connect the external unit to the **LINE INPUT** Jack using a 3.5mm auxiliary audio cable (not included). Connecting an external unit will allow the audio to be played through your Singing Machine.

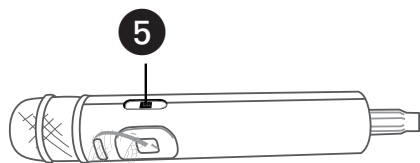
### Notes:

- It is highly recommended to set the volume on the auxiliary unit to 1/3 or lower to avoid distortion.
- Skipping files/tracks is not possible in this unit when using an external device.



- 3 Press the **Navigation** ▶ Right or ◀ Left button to select the Line In mode and press the **ENTER** ▶|| button to continue; the Function indicator will light green. You can also repeatedly press the **FUNCTION** button until the Function indicator lights green to select the Line In mode.

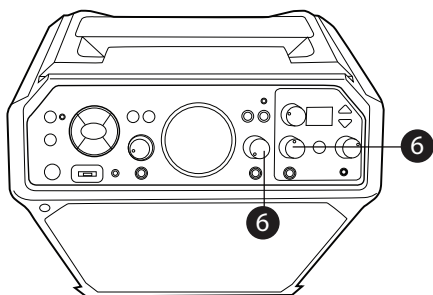
- 4 Adjust the volume using the **MASTER VOLUME** control on this unit or external device.



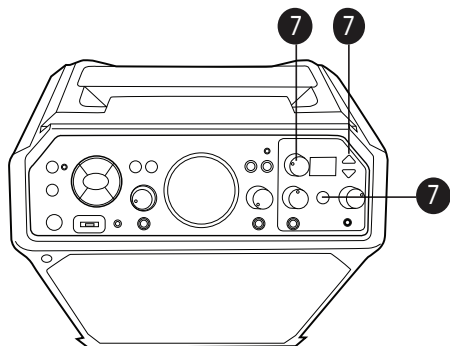
- 5 Connect the microphone(s). Slide the Mic's **ON/OFF** switch to the ON position.

# Operation

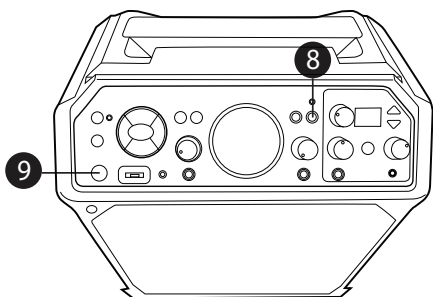
## Using the LINE IN Jack (Continued)



6 Adjust the **MIC VOLUME 1** or **2** control as desired. Increasing this will increase the volume of the respective microphone.



7 **AUTO-TUNE®**: See pages 13 to 16 for more details. Press the **AUTO-TUNE®** control button once to activate; the first Auto-Tune® Level indicator will light, this is Natural Auto-Tune®, it will give a singer's voice a subtle enhancement to stay on key. Press a second time for a stronger enhancement and a third time for Extreme Auto-Tune® effect. Press the **EFFECTS Up or Down** button to select a desired effect (see page 14). Rotate the **KEY SELECT/FX LEVEL** control to select the desired level which will be indicated temporarily on the display.



8 To record your singing as well as the music, press the **Record** button; recording will begin and the **Record** indicator will light. When done recording, press the **Record** button again; the **Record** indicator will turn off..

### Notes:

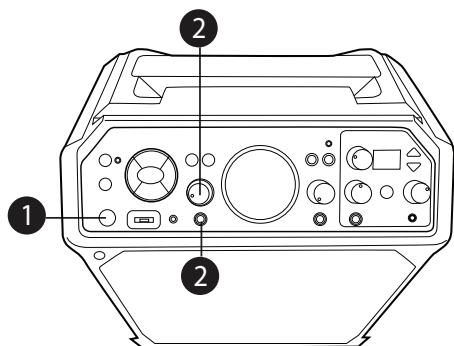
- The recorded audio file will record onto the USB drive.
- The recorded audio file will be named with the "LINEIN" prefix.
- See "Playing Songs from the Recorded Files" section on page 27 to play back your recorded files.

9 Press the **STANDBY/ON** button to turn the unit off.



# Operation

## Using the EXTERNAL INPUT Jack



- 1 Connect the unit as described previously. Press the **STANDBY/ON** button to turn the unit on.
  - 2 Connect the external unit to the **EXTERNAL INPUT** jack using a 6.3mm cable (not included). Connecting an external unit will allow the audio to be played through your Singing Machine. Adjust the external input's volume using the **EXT INPUT VOLUME** control.
- Notes:**
- It is highly recommended to set the volume on the auxiliary unit to 1/3 and the **EXT INPUT VOLUME** control on this unit to 1/3 as well to avoid distortion.
  - Skipping files/tracks is not possible in this unit when using an external device.
- 3 Play the device connected to the **EXTERNAL INPUT** jack and it will play through this unit regardless of the function selected.

# Troubleshooting Guide

Should this unit exhibit a problem, check the following before seeking service:

## No Power

- Power is not on; press the **STANDBY/ON** button to turn power ON.
- Make sure the unit is connected to AC power
- Confirm the AC adapter is connected securely to the back of the unit.
- Connect the unit to a different outlet.

## No Sound – General

- Master Volume is set to minimum; raise volume.
- Correct Function was not selected; select using the **Navigation** buttons or by pressing the **FUNCTION** button.

## No Sound – If connected to a TV

- Volume on the TV is muted or too low.
- Correct source (usually HDMI) was not selected on the TV's menu.

## Lyrics do not appear on the TV screen (if connected)

- If connected to a TV, HDMI plug is not connected properly; see page 6.
- If connected to a TV, select the correct source on the TV (usually HDMI).
- The file/track being played is not a track recorded with lyrics. These are the only files that allow you to view the lyrics on the TV screen.

## No sound from the microphone

- Make sure the microphone is firmly connected to the MIC 1 or MIC 2 Jack.
- Make sure the **Mic's ON/OFF** switch on the Mic is set to the ON position.
- Make sure the microphone volume is not on the lowest setting.
- **MASTER VOLUME** control is set to minimum; raise volume.

## File(s) on USB are not playing

- The file is corrupted; replace the file.
- The file is not in a format this unit will play.
- The connected USB device is not supported by the product.

## The Bluetooth device cannot be paired or connected with the unit

- Ensure any other Bluetooth devices are turned off to avoid accidental pairing.
- You have not activated the Bluetooth function of your device; see page 24 or refer to the Bluetooth device user's manual.
- The system is not in pairing mode; press the **PAIR** button to restart pairing.

## The Music is not available on the unit after successfully connecting the Bluetooth

- Ensure your Bluetooth device can support the A2DP Bluetooth profile.
- The volume on the external Bluetooth device is set to low or muted; raise as desired.

# Updating the Firmware

Make sure the **Singing Machine USB Flash Drive**, is securely plugged into the USB slot before running the update. DO NOT interrupt the update. If interrupted during the update process; the software can become corrupted and the unit will no longer function properly.

1. Create a folder on the **Singing Machine USB Flash Drive** named "user\_updata"
2. Download the latest software (e.g xxxxxx.img) from **www.singingmachine.com/softwareupdates** and save it into this folder.
3. Plug the **Singing Machine USB Flash Drive** into the USB jack on the unit and turn the unit on.
4. The unit will update automatically.

## Specifications

### AUDIO

Output Power.....50 Watts (RMS)  
Output Impedance.....4 Ohms

### BLUETOOTH

Bluetooth Version.....V2.1 +EDR  
Working Distance .....Up to 30 feet/10 meters measured in open space

### USB

Format.....FAT32  
Maximum Compatibility.....32GB

### RECORDED FILE

MP3 Encoding.....128kbps

### JACK

Microphone.....6.3 mm Microphone Jacks (2)

### GENERAL

Power.....AC 100-240V, 50-60 Hz  
Dimensions - Main Unit.....xxx inches (xxx cm)  
Weight - Main Unit.....xxlbs xxx Kg  
Microphone.....-74 dB 600 Ohms impedance with 6.3 mm Dynamic Microphone

Specifications are subject to change without notice.

Visit Our Website: [www.singingmachine.com](http://www.singingmachine.com)

Copyright © 2018 - All Rights Reserved.

The Singing Machine Company, Inc.  
4060 E Jurupa Street, Unit B  
Ontario, CA 91761-1413 USA