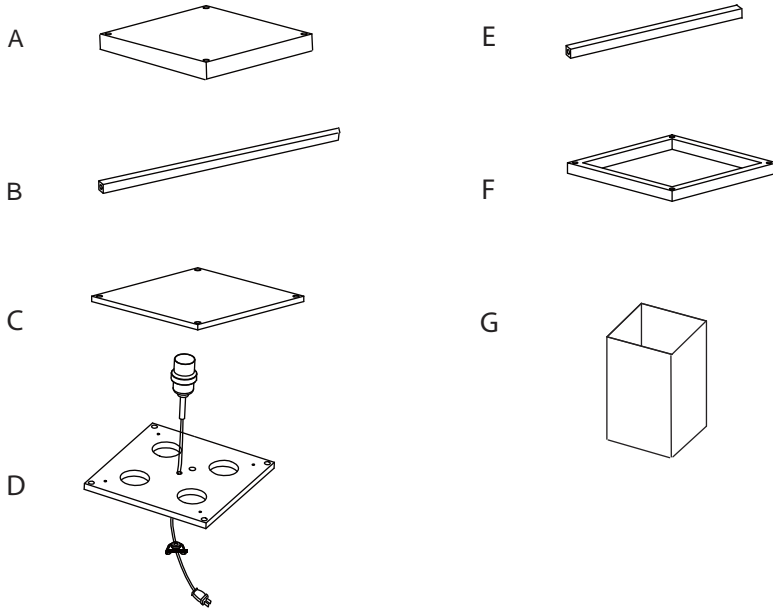
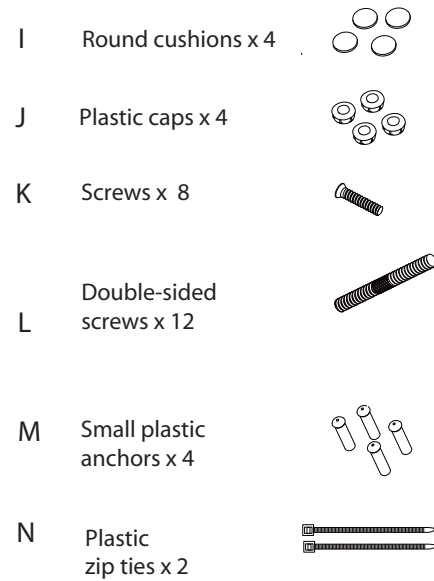


**PACKAGE CONTENTS**

**H HARDWARE PACKAGE CONTENTS:**

**IMPORTANT SAFETY INSTRUCTIONS**
**Read and Save:**

- To reduce the risk of electric shock, this lamp has a polarized plug (one blade is wider than the other). The plug will fit in a polarized outlet only one way. If the plug does not fit fully into the outlet reverse the plug. If plug still does not fit, contact a qualified electrician. Never use an extension cord unless the plug can be fully inserted. Do not alter the plug.
- Do not install non-factory wiring or any other electrical components. Altering or modifying the lamp in any way will render the product unsafe.
- Avoid laying objects directly over the power supply cord to prevent damaging or cutting the wire.
- Keep curtains, shades, wall hangings and all other fabrics and objects away from the lamp shade, light switch and the light bulb.
- Place the lamp on a stable, level surface in a location where the lamp will not be tipped over or bumped. Do not hang objects from the lamp shade, light switch or light bulb.
- This lamp is approved for indoor use only.
- Items displayed on the lamp shelves should be non-flammable.

Part	Description	Quantity
A	Bottom Board	1
B	Long Poles	12
C	Shelf Boards	2
D	Lamp Socket Board	1
E	Short Poles	4
F	Top Frame	1
G	Fabric Shade	1
H	Hardware Package	1

**BULB REPLACEMENT (not included)**

Use one 60 Watt maximum Type A bulb or CFL bulb equivalent.

**DO NOT EXCEED RECOMMENDED BULB WATTAGE.**

Do not use a halogen bulb.

Halogen bulbs operate at a higher temperature and pose a fire hazard.

- Turn off and unplug the lamp before replacing the bulb.
- Light bulb should never touch the shade.

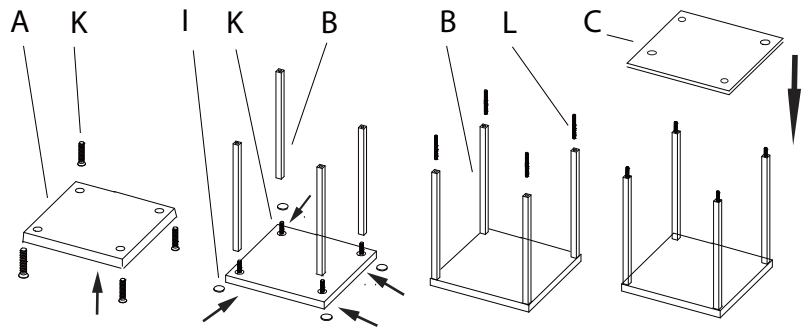
**CLEANING AND MAINTENANCE:**

- Clean using a mild cleaning solution and soft cloth.
- Never use a rough cloth or chemical cleaners containing acids, abrasives or solvents.

## ASSEMBLY INSTRUCTIONS

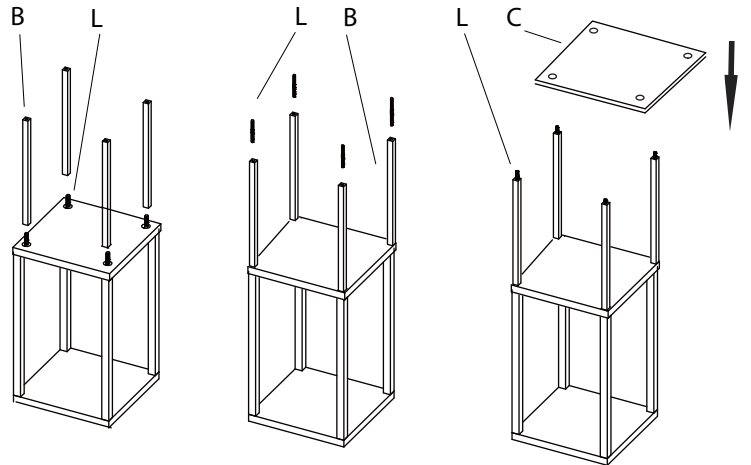
1. Place thick Bottom Board (A) face up on a flat surface. Insert the four Screws (K) through each of the four corner holes on the Bottom Board (A).
2. Insert the four Long Poles (B) onto the exposed part of the four Screws (K) and tighten with a screwdriver (not included) so the screwheads are recessed into the four corner holes on the Bottom Board (A).
3. Peel off backing on round cushions (I) and cover the each of the four holes in the Bottom Board (A).
4. Thread four of the Double-sided Screws (L) onto the tops of the four Long Poles (B).

### STEPS 1, 2, 3, 4, 5



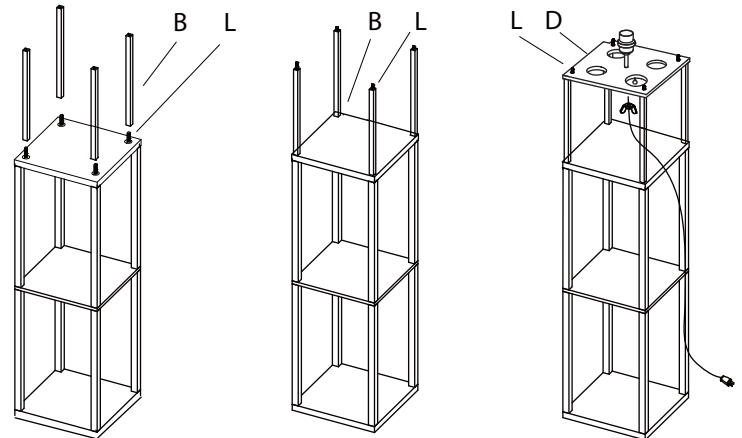
5. Place the Shelf #1 (C) onto the exposed ends of the four Double-sided Screws (L).
6. Thread four Long Poles (B) on to the exposed ends of the Double-sided Screws (L).
7. Thread four of the Double-sided Screws (L) onto the tops of the four Long Poles (B)
8. Place Shelf #2 (C) onto the exposed ends of the four Double-sided Screws (L).
9. Thread four Long Poles (B) onto the exposed ends of the Double-sided Screws (L).
10. Thread four of the Double-sided Screws (L) onto the tops of the four Long Poles (B)

### STEPS 6, 7, 8



11. Place Socket Assembly Board (D) onto the exposed ends of the four Double-sided Screws (L).
12. Secure the preattached socket to the Socket Assembly Board (D) by inserting the socket base stem through the center hole of the Socket Assembly Board (D) and tightening the preattached wing nut and washer.
13. Thread the four Short Poles (E) onto the exposed ends of the four Double-sided Screws (L).
14. Place the Top Frame (F) onto the four Short Poles (E).
15. Insert the four Screws (K) through the four holes in the Top Frame (F). The heads of the four Screws (K) now should be recessed into the Top Frame (F).

### STEPS 9, 10, 11, 12



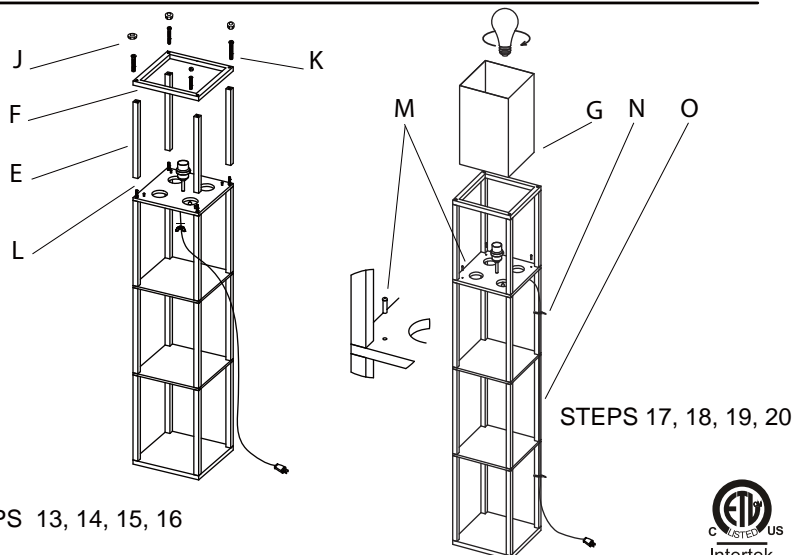
16. Place small Plastic Caps (J) into the four recessed holes of the Top Frame (F).

17. Insert the four Small Plastic Anchors (M) into the four small holes located in each corner of the Socket Assembly Board (D).
18. Unfold fabric Shade (G) and position within the Top Frame (F) down onto the Socket Assembly Board (D) and outside of the four Small Plastic Anchors (M).

19. Use the two Plastic Zip Ties (N) to secure the power Cord (O) to the side poles of the unit.

20. Install the light bulb (not included).

21. Insert Plug into an electrical outlet and turn lamp on using Pull Chain Switch of the socket.



### STEPS 13, 14, 15, 16

### STEPS 17, 18, 19, 20