

## TABLE LAMP

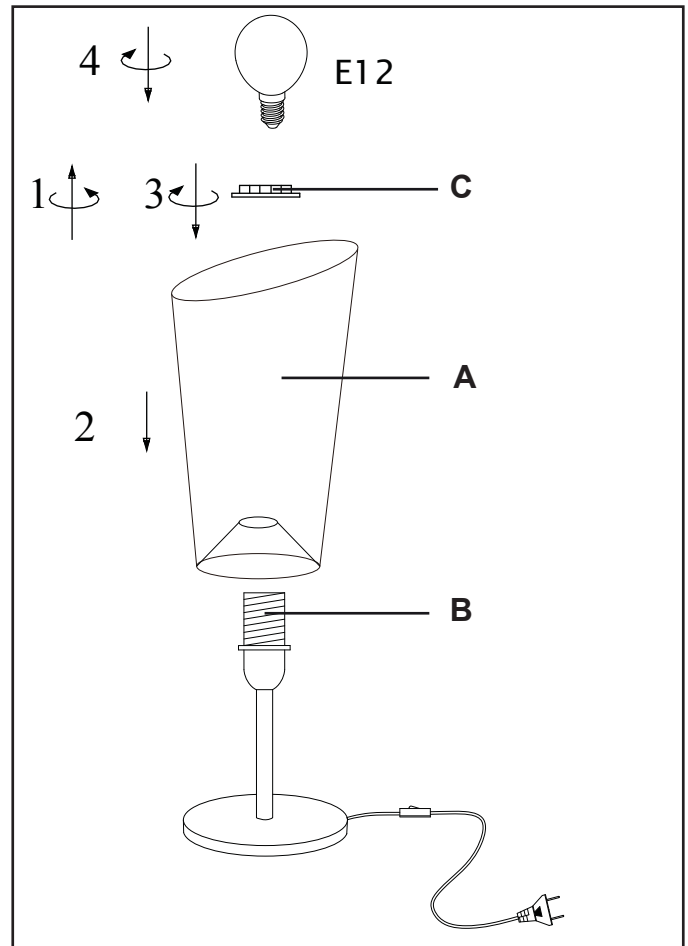
### BEFORE YOU BEGIN

1. Inspect lamp before beginning assembly. All wire connections have been made at the factory and the lamp is ready for assembly.
2. To prevent bad connections, avoid pulling wire connections when removing contents from package or during installation.
3. Be sure to tighten all parts securely.

**PLEASE NOTE: Socket Nut is Located On The Lamp Socket. Please Remove Before Adding Shade.**

### ASSEMBLY

1. Unscrew socket nut (C) from lampholder (B).
2. Place lamp shade (A) onto lampholder (B).
3. Screw socket nut (C) onto lampholder (B).
4. Install light bulb. Only use bulb of the specified type and maximum rated wattage or less.



**Use 1 x 40 watt type E12 candelabra base bulb. (not included)**

### IMPORTANT

THIS PORTABLE LAMP HAS A POLARIZED PLUG (ONE BLADE IS WIDER THAN THE OTHER). AS A SAFETY FEATURE TO REDUCE THE RISK OF ELECTRICAL SHOCK AND FIRE, THIS PLUG WILL FIT IN A POLARIZED OUTLET ONLY ONE WAY. IF THE PLUG DOES NOT FIT FULLY IN THE OUTLET, REVERSE THE PLUG. IF IT STILL DOES NOT FIT, CONTACT A QUALIFIED ELECTRICIAN. NEVER USE WITH AN EXTENSION CORD UNLESS THE PLUG CAN BE FULLY INSERTED. DO NOT ALTER THIS SAFETY FEATURE.