

DESK LAMP

PACKAGE CONTENTS

A	Lamp base
B	Pole
C	Lamp shade

WARNINGS AND CAUTIONS

CAUTION: TO PREVENT ELECTRIC SHOCK, MATCH WIDE BLADE OF PLUG TO WIDE SLOT, FULLY INSERT.

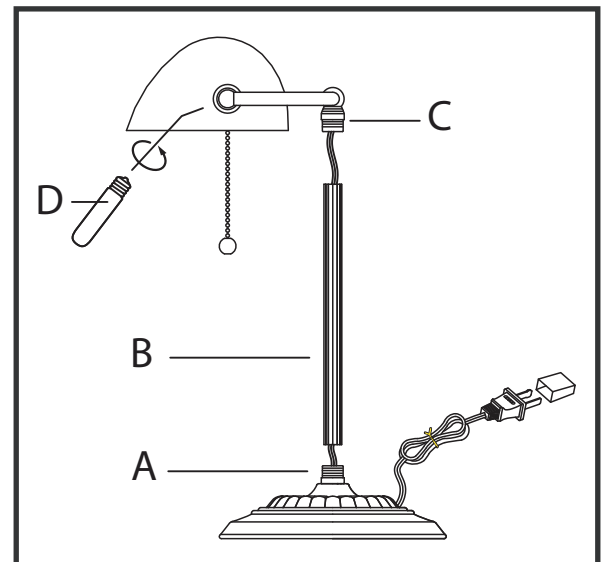
This portable lamp has a polarized plug (one blade is wider than the other) as a safety feature to reduce the risk of electric shock. This plug will fit in a polarized outlet only one way. If it does not fit fully in the outlet, reverse the plug. If it still does not fit, contact a qualified electrician. Never use with an extension cord unless the plug can be fully inserted. Do not alter this plug. Save these instructions for future reference.

PREPARATION

Before beginning assembly and installation of product, make sure all parts are present. Compare parts with package contents list and diagram above. If any part is missing or damaged, do not attempt to assemble, install or operate the product. Contact customer service for replacement parts.

ASSEMBLY AND INSTALLATION INSTRUCTIONS

1. Lay out all lamp parts from box and put them on a flat surface.
2. Screw pole (B) onto lamp base (A) clockwise to tighten.
3. Screw lamp shade (C) onto lamp tube (B). You may need to pull any excess cord gently through the poles so that these parts fit.
4. Install light bulb (D). Only use bulb of the specified type and maximum rated wattage or less (bulb not included).



CARE AND MAINTENANCE

- Clean with soft dry cloth. Do not use abrasives.
- Bulb replacement:
 Shut off main power supply before replacing bulbs. Use a 40W medium base type T10 bulb (not included).