

CHROME FLOOR LAMP WITH PAPER SHADE

Questions?

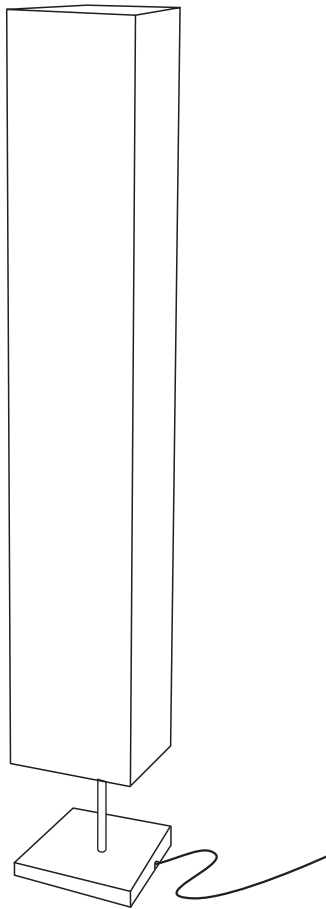
Customer Service:

CS@lightaccents.com

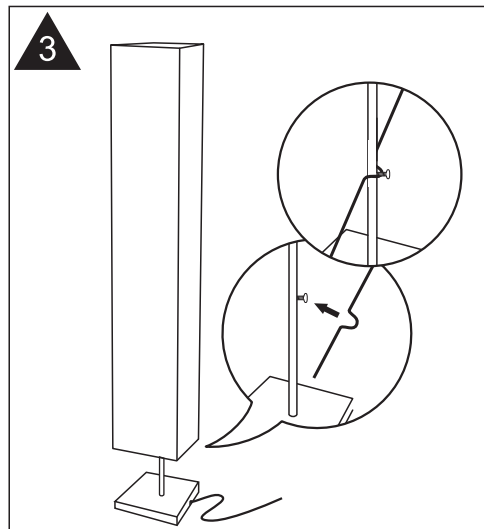
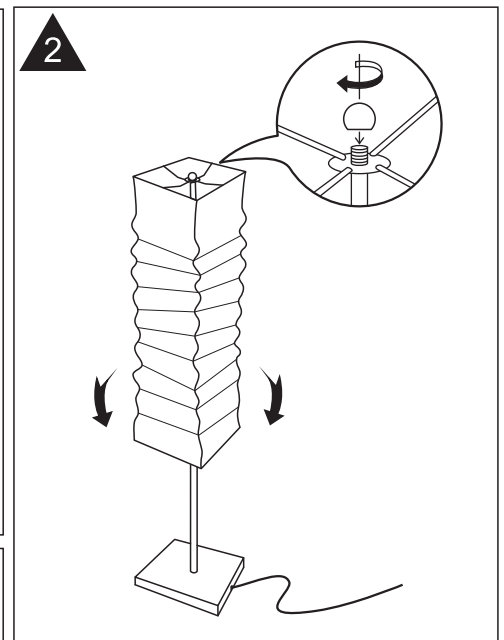
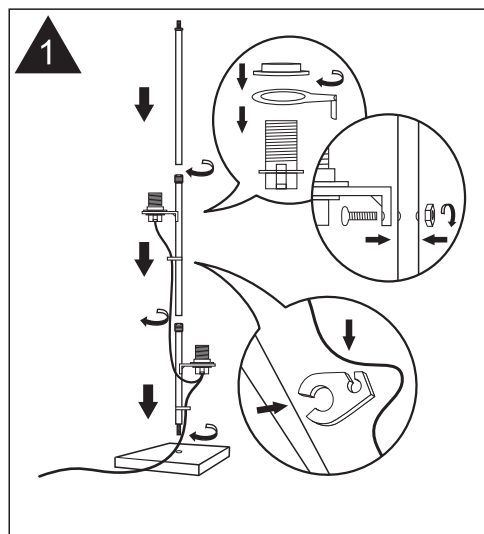
BEFORE YOU BEGIN

1. Inspect lamp before beginning assembly. All wire connections have been made at the factory and the lamp is ready for assembly.
2. To prevent bad connections, avoid pulling wire connections when removing contents from package or during installation.
3. Be sure to tighten all parts securely.

PLEASE NOTE: Socket Nut is Located On The Lamp Socket. Please Remove Before Attaching Lamp Socket to Ring on Pole.



Use 1 x 40 watt type
E26 base bulb. (not
included)



IMPORTANT

THIS PORTABLE LAMP HAS A POLARIZED PLUG (ONE BLADE IS WIDER THAN THE OTHER). AS A SAFETY FEATURE TO REDUCE THE RISK OF ELECTRICAL SHOCK AND FIRE, THIS PLUG WILL FIT IN A POLARIZED OUTLET ONLY ONE WAY. IF THE PLUG DOES NOT FIT FULLY IN THE OUTLET, REVERSE THE PLUG. IF IT STILL DOES NOT FIT, CONTACT A QUALIFIED ELECTRICIAN. NEVER USE WITH AN EXTENSION CORD UNLESS THE PLUG CAN BE FULLY INSERTED. DO NOT ALTER THIS SAFETY FEATURE.

Printed in China