



Instruction Booklet
English
(Original instructions)

Livret d'instructions
Français
(Instructions originales)

F18 SB
F18 SB TALL



SANREMO
C O F F E E M A C H I N E S

Congratulations for having purchased a SANREMO product: each of our products is the result of careful research, in constant collaboration with coffee lovers from all over the world. That's why your opinion is extremely important to us: thanks to your experience and collaboration we will be able to improve every day, to always get the best in every SANREMO creation.

SANREMO, think about it.




MANUFACTURER



SANREMO coffee machines s.r.l.
 Via Giacomo Bortolan, 52
 31050 Vascon di Carbonera (Treviso) ITALY
 Tel. +39.0422.498900 - Fax +39.0422.448935
 www.sanremomachines.com - E-mail: info@sanremomachines.com

GENERAL DATA

It is advisable to write down the machine data in the table below, in order to facilitate any reports to the sales network.

SANREMO		MADE IN ITALY	
COFFEEMACHINES		Via G. Bortolan, 52	
		31050 VASCON (TV)	
		ITALY	
mod (A)	type (B)	  	
(C) W	(D) V		(E) Hz
S.N. (F)	boiler 1: (G)		
P.max: (H)	boiler 2: (I)		
water supply: (J)			

- A Model
- B Machine configuration identification
- C Power
- D Power supply voltage
- E Frequency
- F Serial number
- G Maximum pressure of boiler 1
- H Maximum pressure
- I Maximum pressure of boiler 2
- J Supply network pressure
- K Identification of certifications

GENERAL INDEX

1	GENERAL RULES AND WARNINGS	67
1.1	GENERAL WARNINGS	67
1.2	REFERENCES TO THE LEGISLATION	68
1.3	DESCRIPTION OF SYMBOLS	68
1.4	PREPARATION BY THE PURCHASER	68
1.5	EMERGENCY OPERATIONS IN CASE OF FIRE	69
1.6	RISK OF EXPLOSION	69
1.7	SOUND PRESSURE LEVEL.....	69
1.8	VIBRATION.....	69
1.9	INTENDED USE.....	69
1.10	MISUSE.....	69
1.11	DECLARATION FOR MATERIALS COMING INTO CONTACT WITH FOOD	69
2	SAFETY DEVICES.....	71
2.1	SAFETY LABELS.....	71
2.2	SAFETY PROTECTIONS.....	71
2.3	OPERATOR AREAS	71
2.4	AREAS WITH RESIDUAL RISKS.....	72
2.5	DANGEROUS AREAS.....	72
3	MACHINE DESCRIPTION	74
4	TECHNICAL DATA	74
5	UNPACKING AND POSITIONING	77
5.1	UNPACKING THE MACHINE	77

5.2	LIFTING THE MACHINE	77
5.3	MACHINE POSITIONING	77
6	IDENTIFICATION OF COMPONENTS	78
6.1	IDENTIFICATION LABEL	78
7	CONNECTIONS	80
7.1	WATER CONNECTION	80
7.2	WARNINGS FOR A CORRECT USE OF ROTARY PUMPS	81
7.3	ELECTRICAL CONNECTION	83
7.4	INSTALLATION INSTRUCTIONS	84
8	COMMISSIONING	87
8.1	FIRST START-UP	87
9	ADJUSTING THE FUNCTIONS	89
9.1	ADJUSTING THE GRINDER DOSER	89
9.2	TESTING COFFEE DISPENSING	89
9.3	FINAL DELIVERY	89
10	USING THE MACHINE	91
10.1	DESCRIPTION OF COMPONENTS	91
10.2	DESCRIPTION OF CONTROLS	92
10.3	SPECIAL CONTROLS	94
10.4	COFFEE PREPARATION	96
10.5	CAPPUCCINO PREPARATION	97
10.6	HEATING A DRINK	98
10.7	PREPARATION OF TEA, CAMOMILE AND OTHER HOT DRINKS....	98

11	PROGRAMMING	100
11.1	PROGRAMMING AND READINGS	100
12	ALARM SIGNAL	108
13	MALFUNCTION: CAUSES AND SOLUTIONS	110
14	TEMPORARY DECOMMISSIONING	113
14.1	RE-COMMISSIONING THE MACHINE	113
15	CHECKS AND CONTROLS AFTER A LONG PERIOD OF INACTIVITY.....	113
16	CLEANING.....	115
16.1	GENERAL WARNINGS FOR CLEANING	115
16.2	ROUTINE MAINTENANCE.....	115
16.2.a	UNIT MANUAL WASHING	115
16.2.b	UNIT AUTOMATIC WASHING.....	116
16.2.c	DAILY MACHINE CLEANING	116
16.3	SCHEDULED MAINTENANCE (TECHNICIAN)	117
16.4	MAINTENANCE AS REQUIRED (TECHNICIAN).....	117
17	TECHNICAL SERVICE AND SPARE PARTS	119
18	DISPOSAL OF THE MACHINE.....	119
18.1	DISPOSAL OF HARMFUL SUBSTANCES	119

GENERAL RULES AND WARNINGS

1	GENERAL RULES AND WARNINGS	67
1.1	GENERAL WARNINGS	67
1.2	REFERENCES TO THE LEGISLATION	68
1.3	DESCRIPTION OF SYMBOLS	68
1.4	PREPARATION BY THE PURCHASER	68
1.5	EMERGENCY OPERATIONS IN CASE OF FIRE	69
1.6	RISK OF EXPLOSION	69
1.7	SOUND PRESSURE LEVEL	69
1.8	VIBRATION	69
1.9	INTENDED USE	69
1.10	MISUSE	69
1.11	DECLARATION FOR MATERIALS COMING INTO CONTACT WITH FOOD	69

1 GENERAL RULES AND WARNINGS

1.1 GENERAL WARNINGS

- This manual is an integral part of the machine and must be kept carefully for any further consultation.
- In case of loss or if you require further information, please contact the local dealership or the manufacturer.
- Before operating the machine, the operator must read this manual thoroughly and must acquire deep knowledge of technical specifications and controls.
- Before installing the machine, check that the area is suitable for the overall dimensions and weight of the machine.
- The machine is not suitable for installation outdoors or in places where water jets may be used or where the temperature may drop to below 41°F.
- Do not install the machine near heat sources.
- Children must not play with the device.
- This device can be used by children older than 8 years and by people with diminished physical, sensory or mental capacities, or without experience or required knowledge, provided that they are supervised or have received instructions on safe use of the device and understanding its risks.
- Do not use the device with wet hands or when barefoot.
- Do not allow unauthorised and unqualified personnel to start, adjust or repair the machine.
- Authorised and qualified technical personnel must have the necessary knowledge of hygiene and safety for the correct use of the appliance.
- Refer to this manual for all necessary operations.
- Before cleaning and/or servicing the machine and before removing any guard, **make sure that the main switch is on "OFF" (O)**, so that power supply is disconnected from the machine during the operation.
- Power supply grid of the purchaser must be fitted with an automatic breaker upstream of the machine main switch with a contact opening distance according to the disconnection specifications for overvoltage class III well as a suitable grounding system meeting all the requirements of the injury prevention standards.
- Do not use adaptors, multiple plugs and/or extensions.
- Do not use the machine if the power cable is frayed or damaged.
- If operations are required on or near the main switch, disconnect power from the line to which the main switch is connected.
- Check that all safety devices (guards, cases, microswitches, etc.) have not been tampered with and are perfectly operating. Otherwise, service them.
- **Do not remove safety devices.**
- To avoid personal risks, only use suitable tools compliant with national safety standards.
- **PAY UTMOST ATTENTION TO THE WARNING LABELS ON THE MACHINE EVERY TIME YOU OPERATE ON OR NEAR IT.**
- Furthermore, the user must replace all warning labels that are worn or not clearly readable for any reason, requesting spare ones from the Spare Parts Service.
- If the machine is malfunctioning or components are damaged, contact the local dealership or the manufacturer.
- It is strictly forbidden to use the machine for a purpose other than the expected and documented purpose. Use of the machine must always take place with the methods, timing and location set out by good technical practice, in accordance with current regulations and complying with workplace health and safety standards as set out by the current laws of the country where the machine is used.
- **The manufacturer will not be held liable for any accident to persons or damage to property arising from failure to observe safety standards and the instructions of this manual. Any use other than the use described in this manual must be considered as misuse. If this manual is not sufficiently suitable to your needs, always contact the local dealership or the manufacturer to receive further instructions and solutions.**
- **THESE SAFETY STANDARDS COMPLETE OR INTEGRATE THE CURRENT LOCAL SAFETY REGULATIONS.**

- **IN DOUBT, ALWAYS REQUEST THE INTERVENTION OF SPECIALIZED PERSONNEL.**
- **ELECTRICAL/ELECTRONIC OR MECHANICAL TAMPERING WITH THE MACHINE BY THE USER AND NEGLIGENT USE OF THE MACHINE WILL WAIVE ANY LIABILITY FOR THE MANUFACTURER, MAKING THE USER THE ONLY ONE RESPONSIBLE BEFORE INJURY PREVENTION AUTHORITIES.**

1.2 REFERENCES TO THE LEGISLATION

- The machine and its safety devices have been manufactured in compliance with the standards listed in the declaration of conformity.

1.3 DESCRIPTION OF SYMBOLS

- Many accidents are caused by insufficient knowledge and failure to apply safety rules during operation and maintenance of the machine.
- In order to avoid accidents, read, understand and follow all cautions and warnings contained in this manual and those shown on the labels applied to the machine.

- To identify the safety messages included in this manual, the following symbols have been used:



Electricity hazard



General hazard or miscellaneous



Heat hazard (burns)



Danger of damaging the machine

- To identify operations that must be performed exclusively by a specialised technician, we used the following symbol:



1.4 PREPARATION BY THE PURCHASER

a. Preparation of the installation area

- The purchaser must prepare a support floor for the machine as described in the installation chapter.

b. Electrical preparation

- The power supply system must comply with current national regulations of the area and must be fitted with an efficient grounding system.
- Position an omni-polar disconnecting device on the power supply line, upstream of the machine.



The power supply cables must be sized according to the maximum current required by the machine so that the total voltage drop under full load is less than 2%.

c. Water preparation

- A drain fitted with a siphon and a water supply network must be prepared to supply softened water with a shuttering gate located upstream of the machine.

1.5 EMERGENCY OPERATIONS IN CASE OF FIRE

- a. In case of fire, cut out power supply to the machine by disconnecting the main switch.



It is strictly forbidden to extinguish the fire with water when the machine is live.

- b. Extinguish the fire with suitable extinguishers.

1.6 RISK OF EXPLOSION

The machine is not suitable for use in environments at risk of explosion.

1.7 SOUND PRESSURE LEVEL

The machine has been manufactured to maintain a continuous equivalent weighted sound pressure level of less than 83 dB, uncertainty 2.5 dB.

1.8 VIBRATION

The machine is fitted with vibration dampening rubber feet. During normal operation, it does not generate vibration that is harmful to the operator and the environment.

1.9 INTENDED USE

The coffee machine is manufactured and designed only to dispense espresso coffee and to prepare hot drinks (tea, cappuccino, etc.) by means of hot water or steam.

Use of the coffee machine is reserved to professional operators with adequate knowledge of the hygiene and safety standards.

The machine includes an area to pre-heat the cups. It should only be used for this purpose, any other use is considered improper and therefore dangerous.



The manufacturer will not be held liable for any injury to persons or damage to property due to misuse of the machine.

1.10 MISUSE

The coffee machine is designed and manufactured only for food preparation purposes, therefore the following is prohibited:

- use of the machine by non-professional operators;
- fluids other than softened drinking water with maximum hardness of 3/5 French degrees (60/85 ppm);
- heating beverages or other non-food items;
- pouring ground material other than coffee in the filter holder;
- positioning objects other than cups and mugs on the cup heating plate;
- placing containers with fluids on the cup heating plate;
- obstructing air grills with cloths or other materials;
- covering the cup heating plate with cloths;
- touching the dispensing areas with your hands;
- using the machine if it is very wet.



This paragraph lists some misuses that can be reasonably expected, but in any case the machine must be used in compliance with the instructions contained in the paragraph "Intended use".

1.11 DECLARATION FOR MATERIALS COMING INTO CONTACT WITH FOOD

The manufacturer SANREMO S.r.l. hereby declares that the materials used in its products comply with EC regulation no. 1935/2004, Reg. no. 2023/2006/EC (GMP), Reg. no. 10/2011/EC for plastic materials, Ministerial Decree of 21 March 1973 and subsequent amendments and supplements.

SAFETY DEVICES

2	SAFETY DEVICES.....	71
2.1	SAFETY LABELS.....	71
2.2	SAFETY PROTECTIONS.....	71
2.3	OPERATOR AREAS.....	71
2.4	AREAS WITH RESIDUAL RISKS.....	72
2.5	DANGEROUS AREAS.....	72

2 SAFETY DEVICES

2.1 SAFETY LABELS

Warning labels with descriptive pictograms are present in all areas that are dangerous for the operator or technician.



Labels showing safety instructions are applied to the machine; they must be followed carefully by anyone operating on the machine. Failure to comply with the instructions on the label waives any liability of the manufacturer for damage to property or injury to persons that may arise.

Danger: voltage on



Nameplate located on all live areas. Do not work while the voltage is on.

Danger of burning



Label placed on the top part of the cup heating plate.

2.2 SAFETY PROTECTIONS

There are two types of safety systems designed and fitted to the coffee machine:

- mechanical safety devices;
- electrical/electronic safety devices.

Mechanical safety devices

The mechanical safety devices are as follows:

- panels enclosing all electrical/electronic components and the boiler, fully closed with screws;
- working surface fitted with grille and tray to collect fluids;
- controls located on the top part of the machine, above the dispensing areas;
- relief valve on the boiler;
- check valve on the water line.

Electrical/electronic safety devices

The electrical/electronic safety devices are as follows:

- thermal breakers on motors;
- safety thermostats to monitor overheating;

2.3 OPERATOR AREAS

The machine is operated by only one operator, who stands in front of the machine to prepare coffee and other hot drinks with ease.

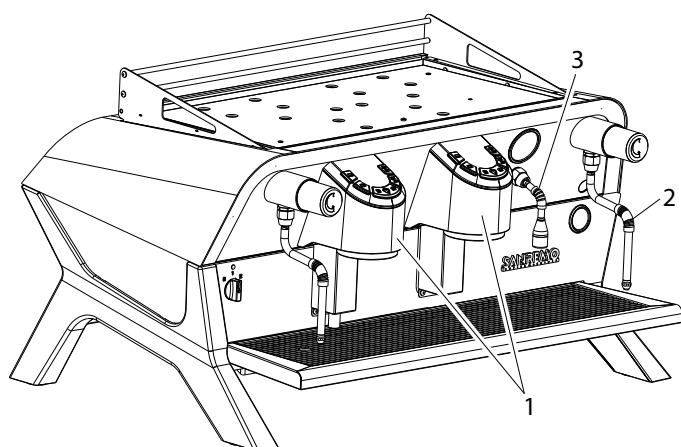
2.4 AREAS WITH RESIDUAL RISKS

Areas with residual risks are areas that cannot be protected due to the specific type of operation they are used for; on the coffee machine, these areas are as follows:

- the area (1) of the units when dispensing coffee;
- the steam tap (2) when heating drinks;
- the hot water dispensing area (3);



Risk of burning is present in these areas.



2.5 DANGEROUS AREAS



Dangerous areas are all areas inside the machine, under the safety guards, where the technician can operate when repairing the machine. These areas are accessible only by the technician.

MACHINE DESCRIPTION - TECHNICAL DATA

3	MACHINE DESCRIPTION	74
4	TECHNICAL DATA	74

3 MACHINE DESCRIPTION

Below are the main features of the automatic espresso coffee machine.

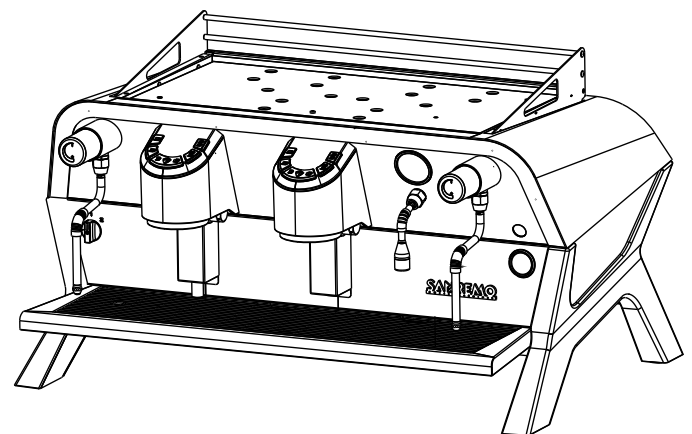
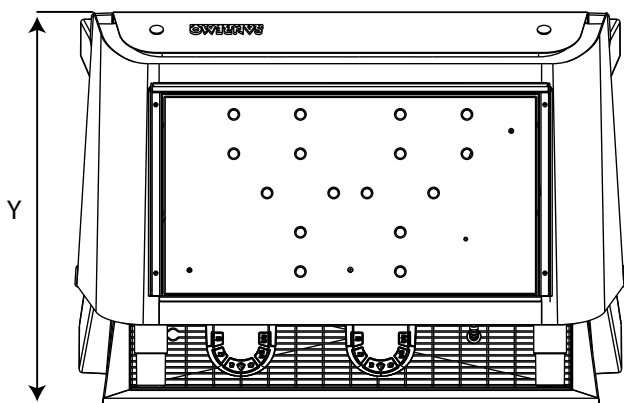
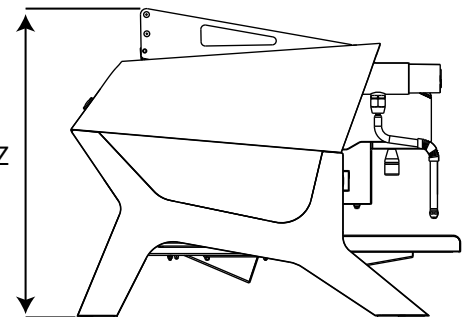
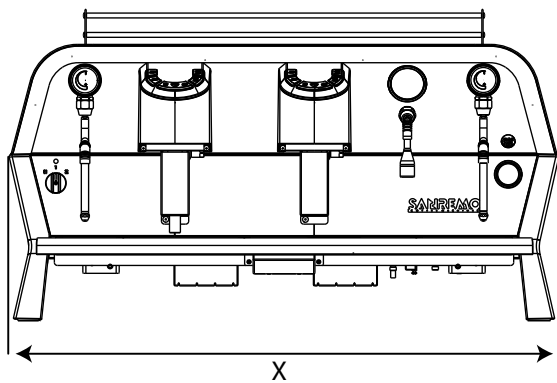
- Espresso coffee machine for professional use with 2 or 3 units, available in Tall version.
- Automatic water filling in the boiler.

The machine is designed for the preparation of espresso coffee and hot drinks.

The special controls on the front of the machine allow dispensing coffee through the units or hot water or steam. On the upper part there is a surface for heating the cups.

The machine consists of a frame on which all components are installed, enclosed with cover panels fixed by screws.

4 TECHNICAL DATA



	2GR - 2GR TALL	3GR - 3GR TALL
X	35,7 in	42,4 in
Y	25,5 in	25,5 in
Z	20,2 in	20,2 in

UNITS		2 - 2 TALL	3 - 3 TALL
Boiler capacity	US gal	3,14	4,83
Net weight	lb	198,4	227,1
Power supply voltage	V	208-240V 60Hz	
Boiler heating element power	kW	2,7 / 4 / 4,5	5,1 / 6
Cup heating plate heating element power	kW	0,20	0,25
Electric pump power	kW	0,13 / 0,15	0,15
Total power	kW	2,6 - 3,2 3,7 - 4,5 4,3 - 5,0	4,9 - 5,7 5,5 - 6,3
Boiler operating pressure	Bar/PSI	0,8 ÷ 1,2 / 11,6 ÷ 17,4	
Mains water pressure	Bar/PSI	1 ÷ 6 / 14,5 ÷ 87	
Coffee dispensing pressure	Bar/PSI	8 ÷ 9 / 116 ÷ 130,5	
Operating temperature	°F	41 ÷ 95	

TRANSPORT, UNPACKING AND COMPONENTS

5	UNPACKING AND POSITIONING	77
5.1	UNPACKING THE MACHINE	77
5.2	LIFTING THE MACHINE	77
5.3	MACHINE POSITIONING	77
6	IDENTIFICATION OF COMPONENTS	78
6.1	IDENTIFICATION LABEL	78

5 UNPACKING AND POSITIONING



IMPORTANT: unpacking and positioning operations must be performed by a specialized and authorized technician.

In order to prevent risks of contamination, we recommend unpacking the equipment only when it is installed.

5.1 UNPACKING THE MACHINE

- Always check the conditions of the package: inform the carrier if damaged;
- Open the top of the package and lower the tabs;
- Pull out the accessories: supplies and technical documentation (manuals);
- Open the cellophane and lift the machine **HOLDING IT BY ITS BASE**;
- The elements of the package (box, cellophane, metal staples, etc.) can cut or injure if not handled with care or used improperly; keep away from the reach of children or unsuitable persons.



CAUTION: keep packing elements (plastic bags, cardboard, nails, etc.) out of the reach of children, since they are source of danger. Collect and send them to specialised centres for correct recristallisation.



Any damage, malfunction or non-conformity must be timely communicated, in any case within 8 days from receipt of the machine. Otherwise the goods are deemed accepted.

5.2 LIFTING THE MACHINE

The machine must be lifted manually by four or more people located on opposite sides of the machine, holding it by the machine frame/feet under the base.

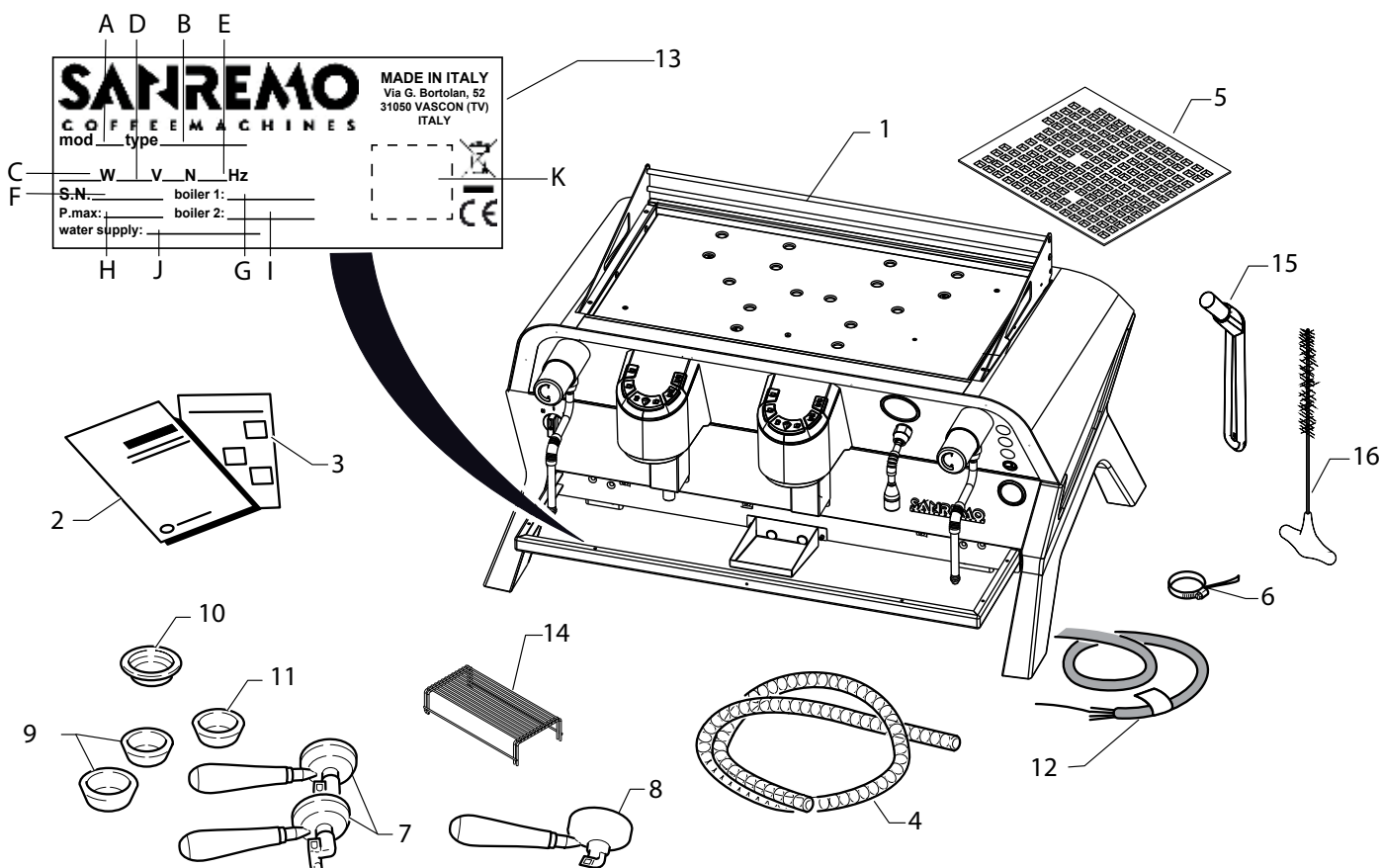
The machine may also be lifted using a hoist, inserting the straps under the base and attaching the other end to a lifting beam to avoid crushing the outer panels.

5.3 MACHINE POSITIONING

Position the machine in its final location, checking that:

1. the support cabinet is sufficiently strong and stable, keeping into account the weight of the machine, and it is not tilted;
2. there are at least 3,9 in between the rear and side walls of the machine and the walls of the room, to allow proper ventilation;
3. the top part of the machine (cup heating plate) must be at a height of not less than 59,1 in from the floor;
4. let a space for a used coffee container and a grinder/dosing machine near the machine;
5. prepare an electrical panel, a water drain and a water supply tap near the machine for water connection.

6 IDENTIFICATION OF COMPONENTS



Key

- 1) Coffee machine
- 2) Instruction manual
- 3) Test report
- 4) Drain pipe L= 78,7 in
- 5) Cup grille
- 6) Strap
- 7) Double filter holder (2/3 pieces)
- 8) Single filter holder
- 9) Double filter (2/3 pieces)
- 10) Single filter
- 11) Blind filter
- 12) Power supply cable
- 13) Identification label
- 14) Espresso grille (tall version only)
- 15) Cleaning brush
- 16) Pipe cleaner

6.1 IDENTIFICATION LABEL

The identification label bears the following data:

- A.** Model
- B.** Machine configuration identification
- C.** Power
- D.** Power supply voltage
- E.** Frequency
- F.** Serial number
- G.** Maximum pressure of boiler 1
- H.** Maximum pressure
- I.** Maximum pressure of boiler 2
- J.** Supply network pressure
- K.** Identification of certifications

CONNECTIONS

7	CONNECTIONS	80
7.1	WATER CONNECTION	80
7.2	WARNINGS FOR A CORRECT USE OF ROTARY PUMPS	81
7.3	ELECTRICAL CONNECTION.....	83
7.4	INSTALLATION INSTRUCTIONS	84



7 CONNECTIONS



IMPORTANT: first connection operations must be performed by a specialised and authorised technician.

7.1 WATER CONNECTION

Drain

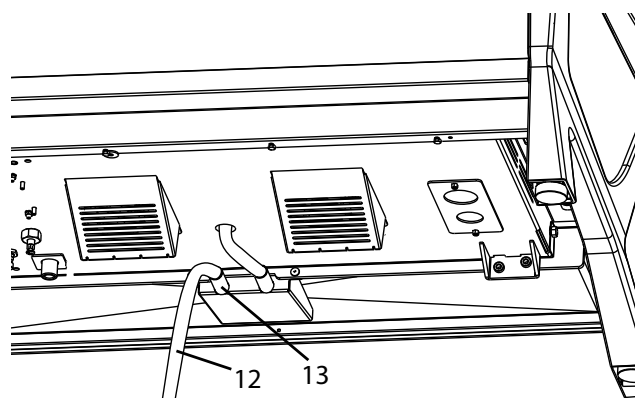
A water drain (1) with siphon must be prepared near the machine.



The drain siphon must be positioned at least 7,9 in below the bearing plane of the machine.

Connect the drain hose (12) to the connection (13) of the drain tray and secure it with the appropriate clamps.

Connect the other end of the pipe to the previously prepared drain pipe (1).



The equipment is to be installed with adequate backflow protection to comply with applicable federal, state, and local codes.

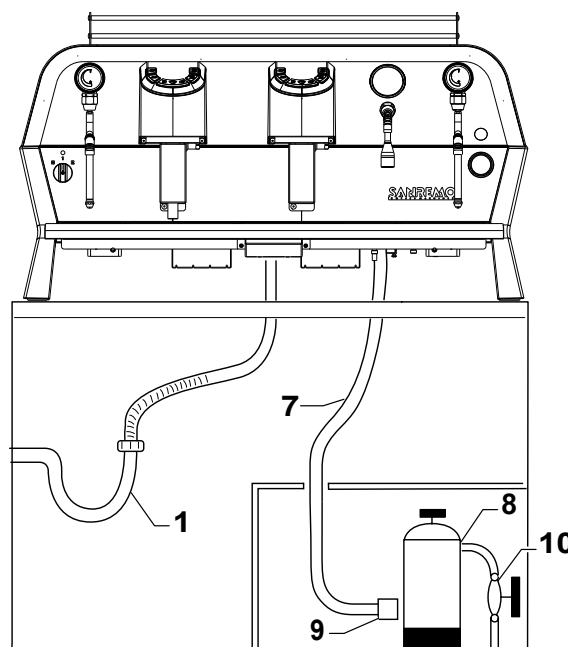


The machine must be mandatorily connected to water mains supplying drinking water properly softened with a maximum hardness of 3.5/5 French degrees (60/85 ppm). Check that the supply pressure does not exceed 6 bar (87 PSI). If pressure is greater, install a pressure reducer.

Intake

Intake (for the version with built-in pump)

- Connect the intake pipe (7) to a softener (8) with the supplied impurity filter (9) between them
- Before the softener (8), install a shuttering tap (10) to separate the water system from the machine.



Intake (for the version with external pump)

On request, the pump can be installed outside rather than inside the machine acting as follows:

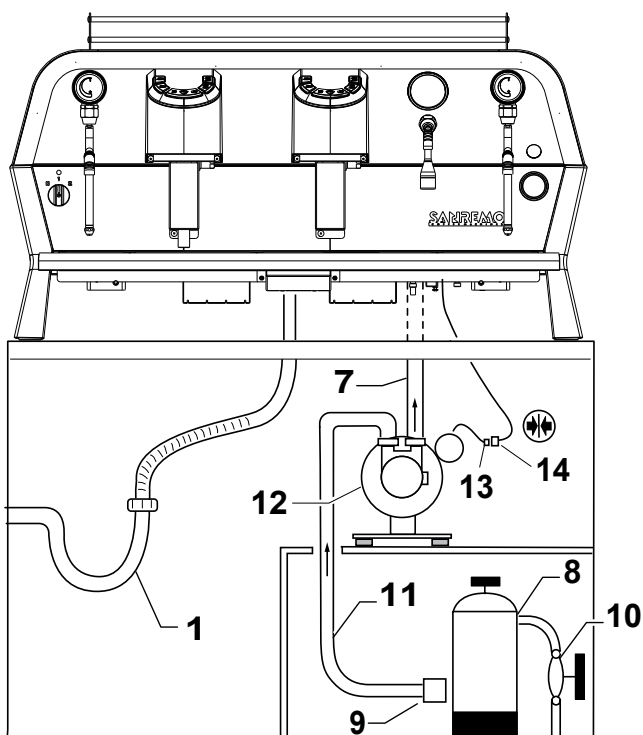


Position the pump away from heat sources and water jets. The bearing plane must be horizontal and correctly dimensioned to support the weight.

- Position the pump (12) under the machine at a distance of not more than 39,4 in, keeping a distance between the pump and the external walls of at least 2 in to prevent transmission of vibration and allow proper air recirculation.
- Connect the pipe (7) that comes out of the machine to the pump delivery union (12).
- Connect the pipe (11) provided to the pump intake union and the other end to a softener (8) with the impurity filter (9) between them.
- Before the softener (8), install a shuttering tap (10) to separate the water system from the machine.
- Connect the pump connector (14) to the preset connector (13) that comes out of the machine.



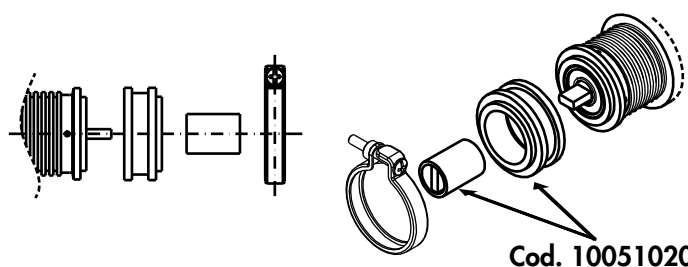
For installation, use and maintenance of the softener, see the relevant instruction manual.



7.2 WARNINGS FOR A CORRECT USE OF ROTARY PUMPS

1) Proper alignment of pump and motor

Sometimes the noise of a unit is caused by a poor alignment. When the coupling between motor and pump is rigid, the pump rotor and the motor rotor may not be on the same axis. If this condition persists, the most frequent damage is the pump lock. To avoid this problem, it is possible to operate effectively by placing an elastic joint between the pump with clamp connection and the motor; for this purpose, a kit p/n 10051020 is available as accessory



2) Quality of Water

The working tolerances and the materials used for the rotary vane pumps are such as to require a quality of water that is as clean as possible and in any case free of suspended particles. Sand, deposits on connecting pipes or the resins of the softener, when flowing through the pump, may scratch the graphite parts causing pressure and flow rate problems.

If there is no guarantee of clean and therefore not "contaminable" water within a closed circuit, we recommend placing a filter of 5 or 10 microns between the softener and the pump.

It is also important to keep the filter clean. If the filter upstream of the pump is clogged, it creates cavitation and the pump will break shortly (see section 4).

If a feed tank is used, to avoid the suction of any sediment, we recommend placing the float a few centimetres above the bottom.

3) Dry operation

Rotary vane pumps can operate in dry condition only for very short periods of time (a few seconds). In case of prolonged operation without water the gasket is not cooled properly and reaches very high temperatures, until it breaks. The most likely consequence is a remarkable leak visible through the 4 drain holes close to the clamp. For potential lack of mains water, it is recommended to install a minimum pressure switch upstream of the pump. In case of feed from a tank, it is advisable to equip it with a suitable level control.

4) Cavitation

Cavitation shows when feed water flow does not match the pump design characteristics: the most frequent causes are clogged filters, pipes with insufficient diameter, several users on the same line. The solenoid valve (generally installed upstream of the pump and filters) must always be opened before the pump activation, to avoid cavitation. For the same reason, when the pump stops, the solenoid valve closing must be delayed.

The most noticeable effect is an increase in noise. If this condition persists, the consequences are similar to those with dry operation.

5) Hot water return

Sometimes the non return valve, provided on the hydraulic circuit of the machine between the pump and the boiler, is defective. In this case the pump may remain in contact with hot water (90-100°C - 194/212 °F) and be damaged because of the different expansions of the material used. Lock-out is the most frequent consequence.

6) Unsuitable connections

The pumps may have 3/8"NPT (conical) or GAS (cylindrical) unions. Sometimes unions and nipples with different threads from those recommended are used, and the sealant or Teflon must complete a seal made only with a few turns of thread. If the union is forced it is possible to create chips; if excessive sealant is used, the extra quantity may enter the pump body. In both cases damage may be caused.

7) Pressure strokes

To avoid pressure strokes, if the solenoid valve is installed after the pump delivery, it must be opened in advance with respect to the pump activation. For the same reason, when the pump stops, the solenoid valve closing must be delayed.

A pressure stroke may break graphite parts and damage mechanical seal causing the pump lock-out and leaks.

8) Handling

The accidental fall of the pump may cause dents and deformations such as to compromise the tight internal tolerances. For the same reason it is necessary to pay the utmost attention when the pump is clamped for the assembly or disassembly of the unions.

9) Limescale deposits

If the water pumped is particularly calcareous and is not pre-treated with ion exchange resins or other effective systems, limescale may deposit inside the pump.

Limescale formation increases when the pressure relief valve is used as flow rate regulator: the greater the recirculation of water, the faster the process.

Limescale deposits may cause a progressive pump hardening and in some cases its lock-out or a pressure reduction due to an incorrect modulation of the pressure relief valve.

To limit this problem, it is advisable to use pumps with flow rate matching the hydraulic circuit features. In some cases it is advisable to periodically perform a descaling treatment with proper acids.

7.3 ELECTRICAL CONNECTION



Check that all switches are in OFF position before electrically connecting the machine.

Grounding connection is absolutely compulsory and the system must meet the current regulations in the country of installation.

Check the power supply voltage (see the indication label); it must match the voltage of the local grid.

The device in single-phase configuration must be connected to a power line with maximum impedance equal to $(0.142+j0.089)$ Ohm.

The machine is connected to the grid by the supplied power cable (2) and a circuit breaker (3) that is properly sized for the machine absorption (differential current equal to 30mA).

See the wiring diagrams in the figure for the connection method.

Equipotential bonding (if any)

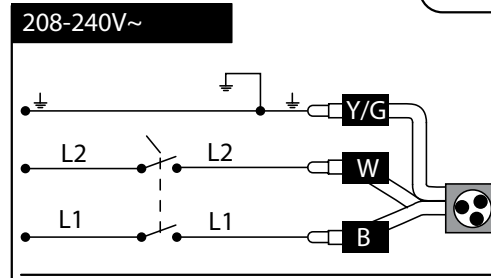
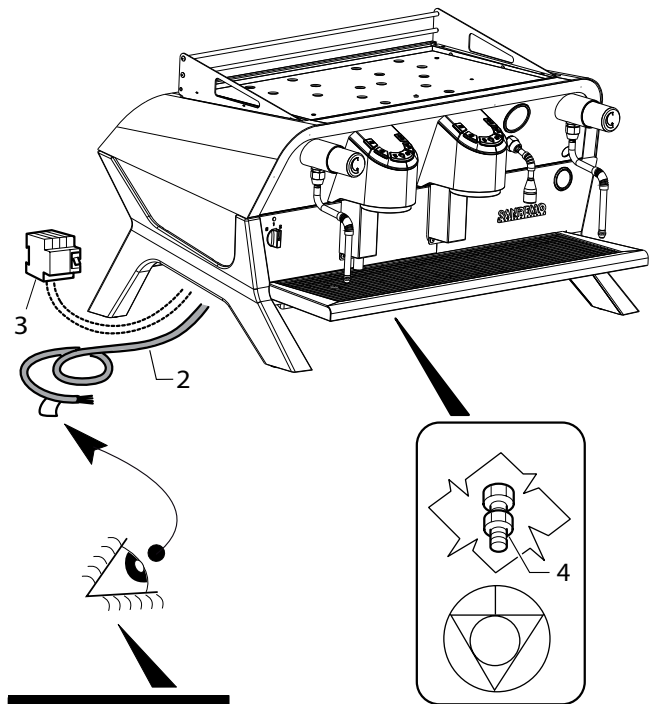
This connection, as required by some regulations, prevents differences in electrical potential between the grounds of the devices installed in the same room.

The machines prepared for this connection are fitted with the relevant terminal (4) located on the bottom of the machine.

- The connection is made by connecting an external equipotential connector of the proper size to the relevant terminal (4), in compliance with current regulations.

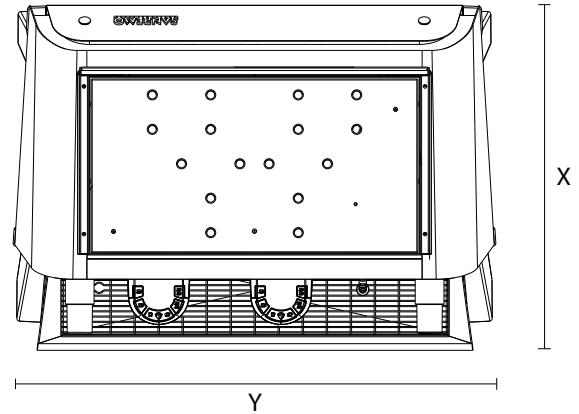
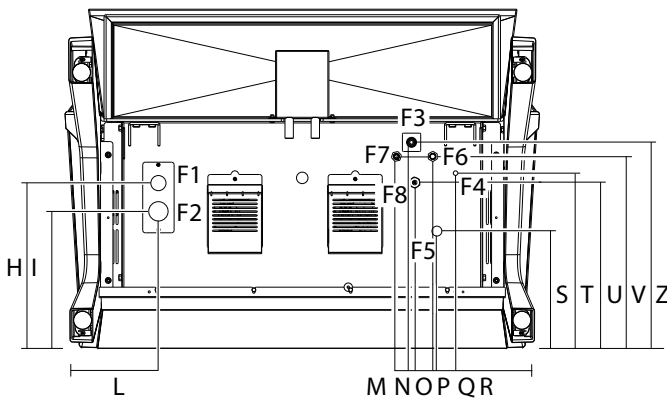
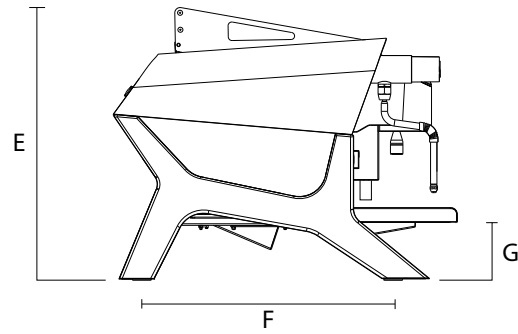
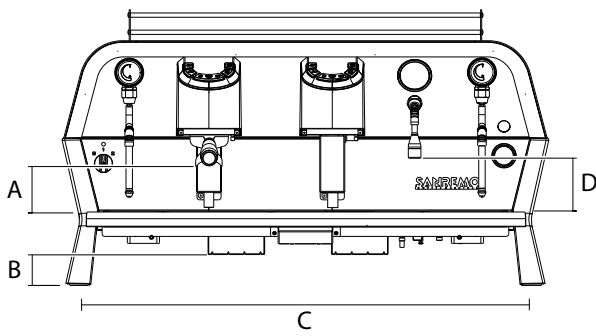


Machines that are not equipped with screw for equipotential connection cannot be installed in kitchens.



Y/G = Yellow/Green
 W = White
 B = Black

7.4 INSTALLATION INSTRUCTIONS



	2 UNITS (in)	2 TALL UNITS (in)	3 UNITS (in)	3 TALL UNITS (in)
A	3,5	4,9	3,5	4,9
B	2,3	2,3	2,3	2,3
C	33,2	33,2	39,9	39,9
D	4	5,4	4	5,4
E	20,2	20,2	20,2	20,2
F	18,7	18,7	18,7	18,7
G	4,3	3	4,3	3
H	12,2	12,2	12,2	12,2
I	9,9	9,9	9,9	9,9
L	6,8	6,8	6,8	6,8
M	10,7	10,7	10,4	10,4
N	9,6	9,6	9,4	9,4
O	9,4	9,4	9	9
P	8	8	8	8
Q	7,7	7,7	7,7	7,7
R	6,5	6,5	6,5	6,5
S	8,8	8,8	8,8	8,8
T	13,7	13,7	13,7	13,7
U	12,5	12,5	12,5	12,5
V	14,4	14,4	14,4	14,4
Z	15,5	15,5	15,5	15,5
X	25,5	25,5	25,5	25,5
Y	35,7	35,7	42,4	42,4

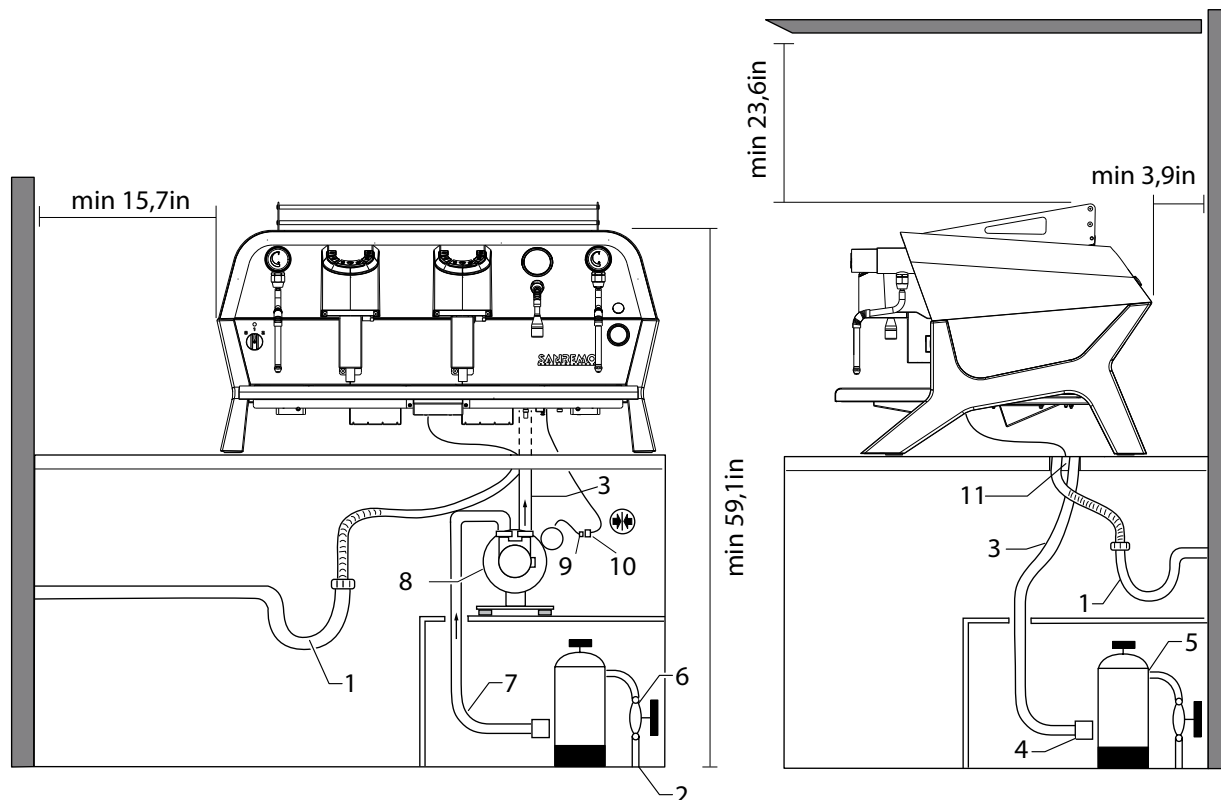
STEAM BOILER CAPACITY:

2 UNITS	3,14 US gal
2 TALL UNITS	3,14 US gal
3 UNITS	4,83 US gal
3 TALL UNITS	4,83 US gal

QUALITY OF WATER:

	MINIMUM (ppm)	MAXIMUM (ppm)
Total Dissolved Solids (TDS)	90	150
Total hardness	60	85
Total iron	0	0.2
Total chlorine	0	0.1
pH	6.5	8
Alkalinity	40	80
Total chloride	0	30

F1	UL POWER CABLE OUTLET
F2	IEC POWER CABLE OUTLET
F3	WATER CONNECTION INLET
F4	MOTOR PUMP PRESSURE ADJUSTMENT
F5	EXTERNAL PUMP CABLE INLET
F6	REGULATING HOT WATER
F7	AUTOSTEAMER AIR OR STEAM OUTLET REGULATION (OPTIONAL)
F8	STEAM OUTLET TAP (OPTIONAL)



KEY:

1	Drain pipe
2	Water supply
3	Coffee machine connection tube
4	Impurity filter
5	Water softener
6	3/8 "M tap
7	External pump tube
8	External pump motor
9	External pump connector 3/8 "M
10	External pump connector 3/8 "M
11	Opening for drainage and water and power supply

INSTALLATION REQUIREMENTS:

Pay attention to the minimum spaces to be respected between the wall and the machine to allow maintenance of the latter and good air circulation.

Electrical work must only be carried out by trained technicians or persons.

Please note that the inlet water must be chlorine-free.

Install a suitable thermo-magnetic circuit breaker with a differential current of 30 mA.

COMMISSIONING

8	COMMISSIONING.....	87
8.1	FIRST START-UP.....	87
9	ADJUSTING THE FUNCTIONS	89
9.1	ADJUSTING THE GRINDER DOSER	89
9.2	TESTING COFFEE DISPENSING.....	89
9.3	FINAL DELIVERY	89

8 COMMISSIONING

8.1 FIRST START-UP



IMPORTANT: first start-up operations must be performed by a specialised and authorised technician.

- Open the water supply tap upstream of the machine.
- Open the steam supply, turning the knob (5) anti-clockwise.
- Power on the machine and move the circuit breaker upstream of the machine to ON.
- Turn the main switch (6) to "1", light (7) turns on to indicate that the circuit is live, the displays light up and the automatic filling program starts.

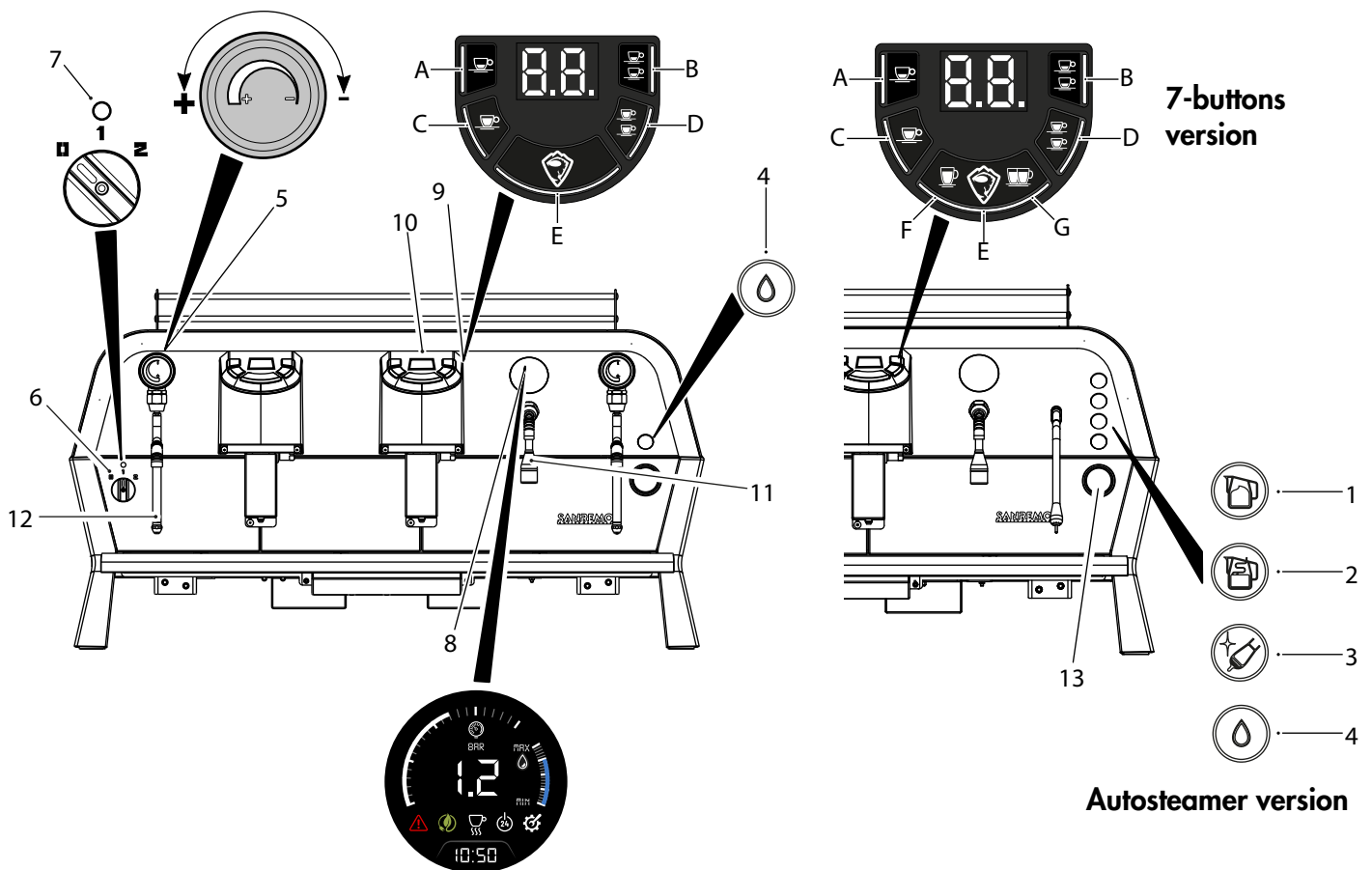


If automatic filling does not take place within 120 seconds, the machine stops and the keys above the units light up and flash.

Check that the water supply tap is open.

Turn the machine off and on again to complete the water intake in the boiler.

- When the boiler reaches the filling level and the pump switches off, turn the main switch to position "2" and wait for the machine to warm up.
- Wait until air mixed with water comes out of the steam dispenser, then close the steam tap previously opened.
- Dispense water from the units, without fitting the filter holders, press one of the buttons (A), (B), (C), (D), (E), (F, G only for 7-key version) located on the front button panels (9), checking that water comes out properly, venting any air bubble present in the circuit. • Press the same button again to stop dispensing.
- Wait until the set steam temperature indicated on the display (8) is reached, check on display (8) that the boiler pressure is approx. 1 - 1.2 bar (14,5 - 17,4 PSI) and on the pressure gauge (13) that the water supply pressure from the mains does not exceed 6 bar (87 PSI).



- Position a suitable jug with handle under the dispenser (11) and dispense water by pressing button (4), checking that water is dispensed correctly; the water dispensing ends automatically at the end of the set time.
- Place a jug of water and insert the spout in the tap (12). Open the steam tap by turning knob (5) anticlockwise and try to heat water up. Repeat the same operation with the dispenser on the other side of the machine.
- Assemble the filter holders in the units, place some cups underneath and make some dispensing cycles by enabling the various types of extraction each time using the relative buttons on the button panel (9). Check that the water is dispensed correctly in the cup.



ATTENTION: we recommend the following maximum dispensing quantities:

- maximum 100cc of continuous coffee delivery for each coffee unit.
- maximum 500cc of continuous hot water delivery.
- 30 seconds of continuous steam delivery.

- Check that the pump pressure shown by pressure gauge (13) is approx. 9 bar (130 PSI).



IMPORTANT: during dispensing, check that the pump pressure is between 8 and 9 bar (116 - 130 PSI). If pressure is not within this range, it must be adjusted. Call the Technical Service for the adjustment.

- Switch off the machine by turning the switch (6) to position "0", the displays will switch off. Close the water supply with the relevant tap.

9 ADJUSTING THE FUNCTIONS



ATTENTION: some machine functions (temperature, language, etc.) must be adjusted by a specialised and authorised technician, while the machine is operating and with the utmost care; these operations are described in the relevant technical manual.

9.1 ADJUSTING THE GRINDER DOSER



Install, adjust and prepare the grinder doser as described in the relevant instruction manual.

9.2 TESTING COFFEE DISPENSING

Dispense coffee several times following the instructions in the relevant chapter and check the quality of the coffee.

- Dispense the coffee and check that 20-30 cc of coffee are dispensed in 20-30 seconds.
- If this is not the case, the coarseness of the coffee must be adjusted on the grinder doser, finer grinding increases brewing time, coarser grinding reduces brewing time.
- Make sure that the coffee dispensed has the following characteristics:
 - hazelnut-colour cream
 - consistency (fine bubbles)
 - cream lasting more than 1 minute



These indications are not binding as the correct quantity and therefore the quality of coffee depends on the type of coffee, type of water and climatic conditions.

9.3 FINAL DELIVERY

At the end of machine installation, it is necessary to:

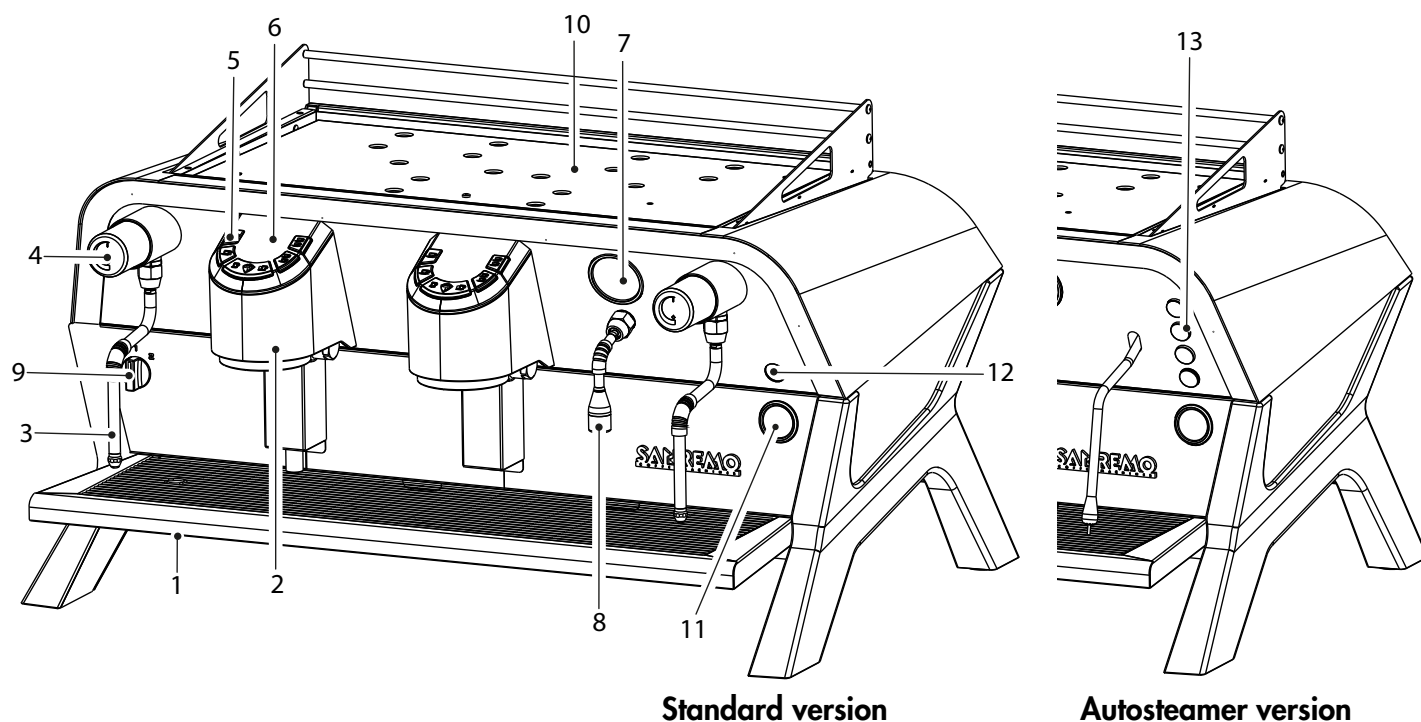
- Train the personnel who will use the machine, preparing a number of test coffees, cappuccinos, etc.
- Explain how to perform maintenance and cleaning operations to ensure correct care of the machine.
- At the end of installation, fill in the installation report.

USING THE MACHINE

10	USING THE MACHINE.....	91
10.1	DESCRIPTION OF COMPONENTS.....	91
10.2	DESCRIPTION OF CONTROLS.....	92
10.3	SPECIAL CONTROLS	94
10.4	COFFEE PREPARATION	96
10.5	CAPPUCCINO PREPARATION.....	97
10.6	HEATING A DRINK	98
10.7	PREPARATION OF TEA, CAMOMILE AND OTHER HOT DRINKS....	98

10 USING THE MACHINE

10.1 DESCRIPTION OF COMPONENTS



- KEY**
- 1. Tray
 - 2. Unit with filter holder
 - 3. Steam wand
 - 4. Steam tap knob
 - 5. Button panel
 - 6. Unit display
 - 7. General function display
 - 8. Water tap
 - 9. On/Off switch
 - 10. Cup heating plate
 - 11. Pressure gauge
 - 12. Water button
 - 13. Autosteamer button panel (optional)

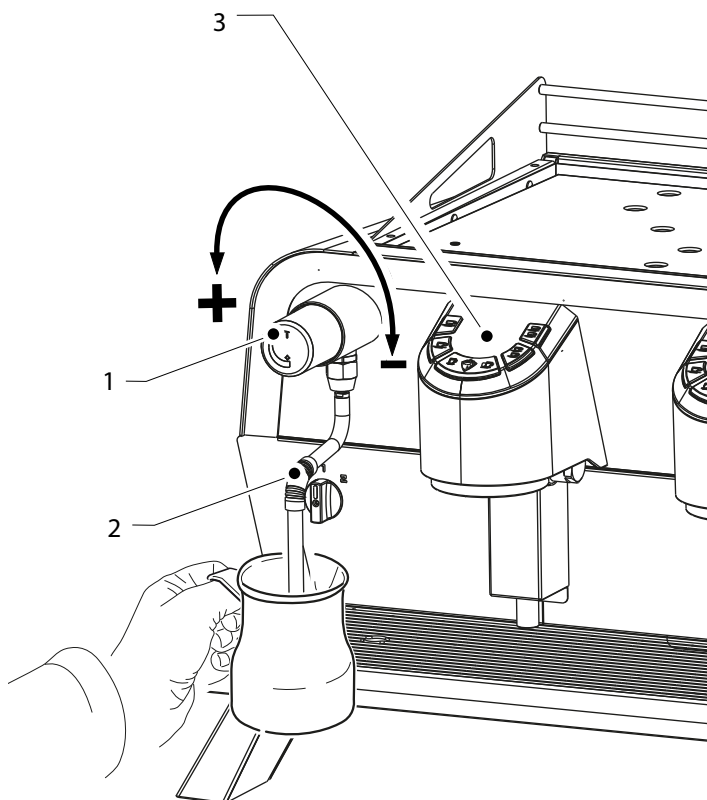
NOTE: Unit 1, used for programming and accessing the user menu, is always the first on the left.

10.2 DESCRIPTION OF CONTROLS

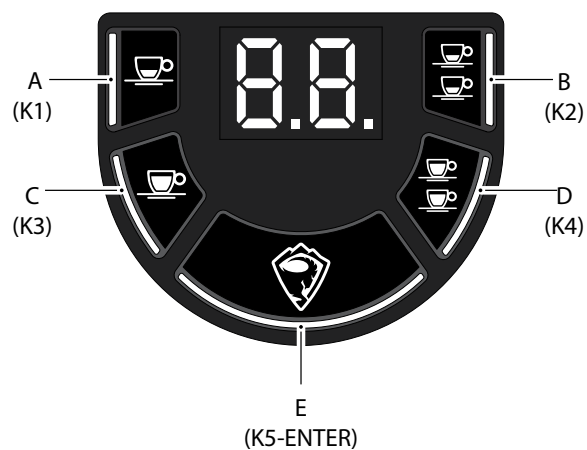
Steam tap knob (1)

When turned anti-clockwise, it dispenses steam from the steam tap (2).

To stop dispensing steam, turn the knob clockwise to close the tap.

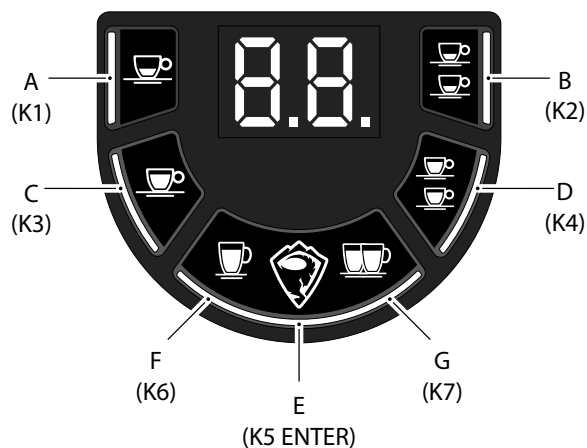


Standard button panel (3)



- A.** Button for espresso coffee
- B.** Button for double shot espresso coffee
- C.** Button for weak black coffee
- D.** Button for double shot weak black coffee
- E.** Button for continuous dispensing/unit programming / purge

7-button panel (optional) (3)



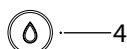
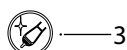
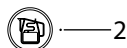
- A.** Button for espresso coffee
- B.** Button for double shot espresso coffee
- C.** Button for weak black coffee
- D.** Button for double shot weak black coffee
- E.** Button for continuous dispensing/unit programming / purge
- F.** Big single cup button
- G.** Big double cup button

Button panel for hot water dispensing



4. Hot water button (2 programmable doses)

Autosteamer button panel (optional)



1. Milk frothing button
2. Drink heating button
3. Button for washing the Autosteamer tap
4. Hot water dispensing button (2 programmable doses)

The Autosteamer function allows you, by means of a special steam wand equipped with a drink temperature probe, to automatically heat and froth milk to the set temperature (button 1) through the combined use of air and steam. In addition with the heating button (button 2) it is possible to heat any drink to the set temperature using steam only.



Button for espresso coffee dispensing (A)

Place a cup under the single filter holder, then press the button to start dispensing coffee.

The selected button remains on for the entire dispensing, while all other LEDs turn off.

The seconds counter in the centre of the button panel starts at value 00 and increments during extraction.

At the end of the extraction, the extraction time remains visible until the next cycle.



Button for double espresso coffee dispensing (B)

Place two cups under the double filter holder, then press the button to start dispensing two coffees.

The selected button remains on for the entire dispensing, while all other LEDs turn off.

The seconds counter in the centre of the button panel

starts at value 00 and increments during extraction.

At the end of the extraction, the extraction time remains visible until the next cycle.



Button for weak black coffee dispensing (C)

Place a cup under the single filter holder, then press the button to start dispensing weak black coffee.

The selected button remains on for the entire dispensing, while all other LEDs turn off.

The seconds counter in the centre of the button panel starts at value 00 and increments during extraction.

At the end of the extraction, the extraction time remains visible until the next cycle.



Button for double weak black coffee dispensing (D)

Place two cups under the double filter holder, then press the button to start dispensing two coffees.

The selected button remains on for the entire dispensing, while all other LEDs turn off.

The seconds counter in the centre of the button panel starts at value 00 and increments during extraction.

At the end of the extraction, the extraction time remains visible until the next cycle.



Button for continuous dispensing (E) (ENTER)

Position a cup of suitable capacity for the desired coffee quantity under the filter holder.

Press button (E) twice to start dispensing coffee (twice if Purge is enabled) and press it again to deactivate it. After 120 seconds, dispensing stops automatically.

Purge

If enabled in the user menu, remove the filter holder from the unit and press the button (E) once.

Button will become steady on and a small preset quantity of water will be delivered for two seconds in order to clean the unit head.



Big single cup button (F)

Place a cup under the single filter holder, then press the button to start dispensing coffee.

The selected button remains on for the entire dispensing, while all other LEDs turn off.

When dispensing is over, all the buttons of the button panel turn on.



Big double cup button (G)

Place two cups under the double filter holder, then press the button to start dispensing coffee.

The selected button remains on for the entire dispensing, while all other LEDs turn off.

When dispensing is over, all the buttons of the button panel turn on.



Milk frothing button (1)

Place the milk jug under the Autosteamer tap, press the button (1) on the Autosteamer button panel to froth the milk and wait for the process to end.



Drink heating button (2)

Place the milk jug under the Autosteamer tap, then press the button (2) on the Autosteamer button panel for hot milk and wait for the process to end.



Button for washing the Autosteamer tap (3)

To activate the steam wand/cappuccino washing cycle, simply press the button (3) on the relevant (Autosteamer) button panel. The LED (3) relating to the button panel remains on, the other LEDs go off.



Button for hot water (4)

Place a cup under the water spout, then press button (4) to start dispensing "dose 1" of hot water. Press button (4) twice to start dispensing "dose 2".

10.3 SPECIAL CONTROLS

Pre-infusion

The machine can be configured so that dispensing of coffee doses with volumetric control is preceded by pre-infusion. By pressing one of the volumetrically controlled dose buttons, the "normal" dispensing cycle is preceded by a short timed water jet used to moisten the coffee pod before the actual dispensing cycle takes place.

TIMER function

The TIMER function allows displaying on each button panel the time (expressed in seconds) related to the dispensing of the coffee doses (the dose is volumetrically controlled in any case).



Washing dispensing units

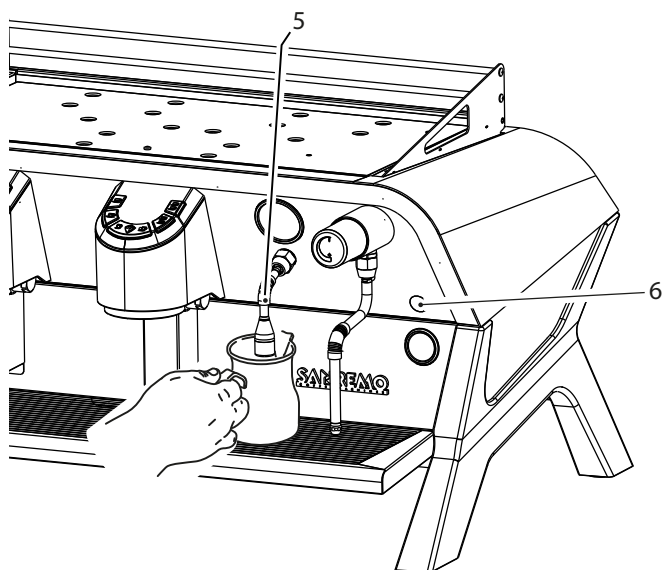
There are two different modes that activate the unit washing programme:

- **MANUAL WASHING**
- **AUTOMATIC WASHING (see page 48)**

To activate the MANUAL WASHING for each dispensing unit, simply press the continuous button (E) and then button (A), always holding down button (E) for the unit on which you wish to perform a washing cycle. The LEDs (E) and (A) relating to the unit concerned start to flash to confirm that the washing phase has been carried out (the display of the unit shows the "CL" message during the entire process).

To activate the AUTOMATIC WASHING of all the units, see PROGRAMMING, technical user menu, UNIT WASHING.

Tap for hot water dispensing (5)



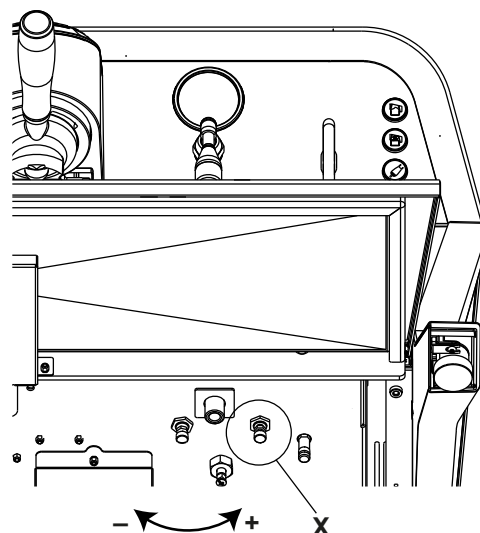
Position a cup of suitable capacity for the desired water quantity under the tap (5). Press button (6) to start dispensing hot water from the spout.

The end of dispensing occurs automatically at the end of the set time. Dispensing can be stopped by pressing the button (6).

There are two programmable doses: press button (6) once for dose 1 and twice for dose 2. The display will show a countdown indicating how many seconds remain until the end of dispensing.

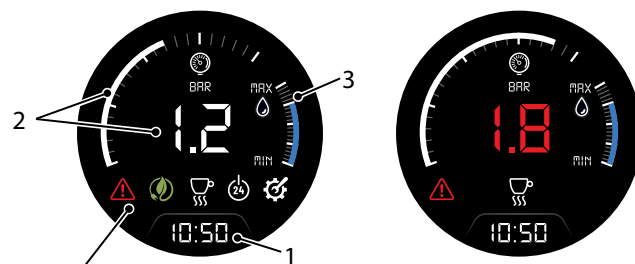
Hot water temperature control

The machine is equipped with the "mixed water" function that allows adjusting the water temperature through the regulator (X) that is located under the machine. Turn anticlockwise (+) to increase the outlet water temperature.



Display

During normal operation of the machine the following screen is displayed:



4, 5, 6, 7, 8

The following information is displayed:

- 1) current time;
- 2) temperature/pressure of service boiler (in case of alarm, they turn red);
- 3) water level in the boiler;
- 4) alarm icon;
- 5) Eco-mode icon enabled;
- 6) cup heating plate icon enabled;
- 7) time scheduler activated icon;
- 8) service icon.

10.4 COFFEE PREPARATION

General rules for the preparation of a good coffee.

The cup must be hot so take it from the cup heating plate or, if cold, rinse it with hot water.

If the cup is cold the sudden change of temperature of the espresso changes its taste.

Never load the filter holder without immediately after dispensing it; the coffee powder would "burn" in the unit and the espresso would be very bitter.

It is advisable to grind the quantity of coffee needed for immediate consumption; ground coffee left for a long time loses its aromatic qualities and the fatty substances it contains go rancid.

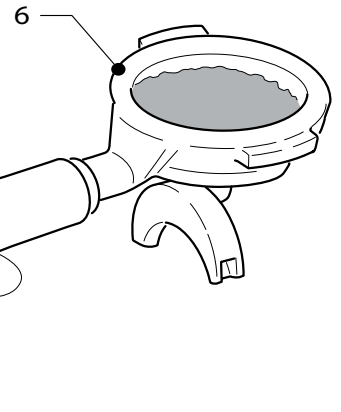
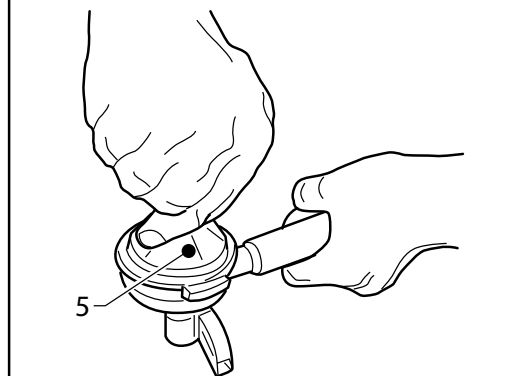
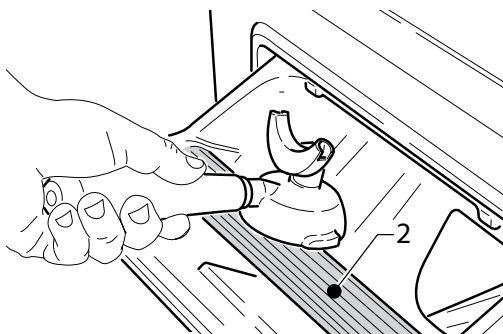
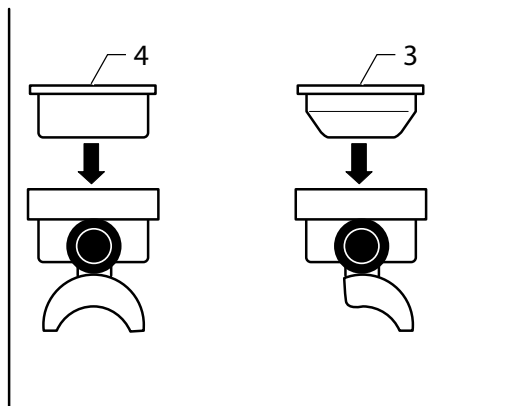
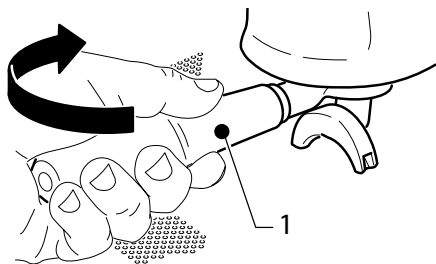
Coffee dispensing

Remove the filter holder (1) from the dispensing unit by rotating it in the direction of the arrow, turn it upside down and tap it on the special used coffee container (2) to discharge the contained grounds.

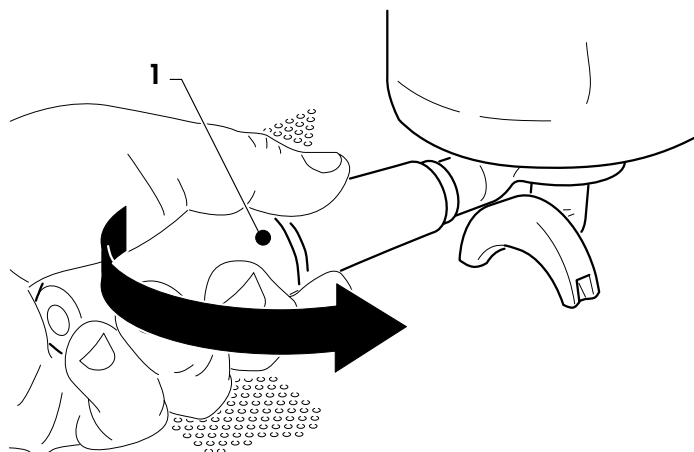


ATTENTION: Do not tap the filter holder on an unprotected surface, the filter may be damaged and the seal may be compromised.

- Use the filter for one coffee (3) or two coffees (4) as required.
- Place the correct amount of coffee in the filter holder.
- Press the coffee with the presser (5).
- Clean the edge (6) of the filter holder; leaving coffee powder on the edge of the filter compromises the seal and results in water and coffee ground leakage.



- Connect the filter holder (1) to the unit by turning it in the direction of the arrow until fully home.



- Place the coffee cup(s) under the filter holder.
- Choose the type of desired coffee. The pressed button lights up. After dispensing, leave the filter holder fitted to the unit until the next dispensing.

10.5 CAPPUCCINO PREPARATION

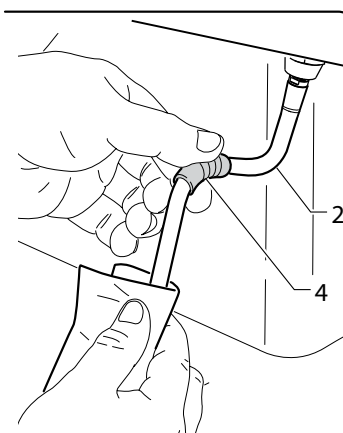
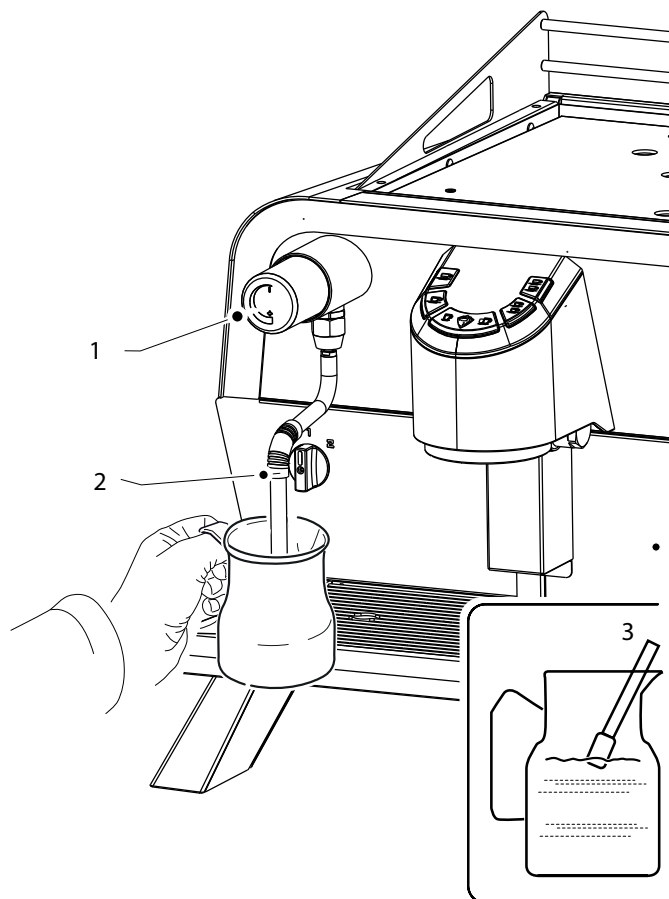
To prepare a professional cappuccino you need to "froth" fresh milk ($\pm 140 - 149$ °F max.) until you obtain a foam that will be poured over a previously dispensed espresso.



CAUTION: Be aware that the wand (2) is hot and can burn your hand. To move it, hold it only in the area (4) coated with rubber.

- Remove the tap (2) from the grille and use the knob (1) to dispense steam for one/two seconds to drain the water contained in the steam tap.
- Pour milk in the jug. We recommend using stainless steel jugs with conical spouts. The amount of milk for a cappuccino is about 125 cc (1/8 litre).
- Hold the nozzle of the steam wand (3) just below the surface of the milk; keep the jug inclined, the steam wand should not be in the middle, but neither should it be against the wall.
- Open the steam supply by turning the knob (1), a vortex will be created inside the jug, forming a compact cream.
- Stop the steam supply by turning the knob (1) to the centre when the maximum temperature of 149 °F has been reached.

- Remove the steam wand from the jug, gently tap the bottom of the jug to stabilise the air bubbles, then pour the foam over the previously prepared espresso by waving the jug.
- After preparing each drink, dispense steam for a few seconds to remove any residual drink. Before and after each dispensing, clean using an exclusively dedicated cloth (to be replaced periodically) to avoid the formation of limescale deposits difficult to remove.



10.6 HEATING A DRINK

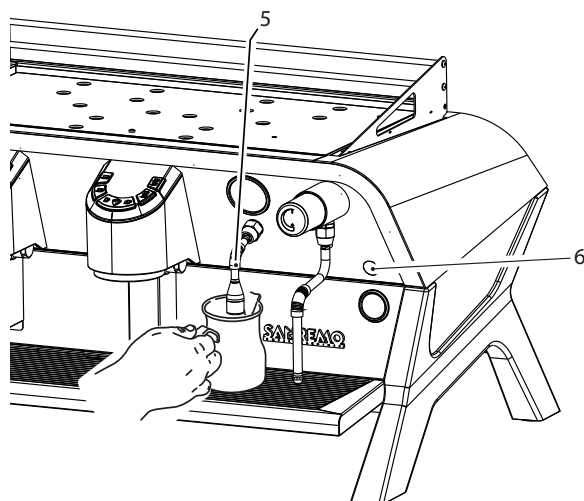
- Position the tap (2) over the grille and use the knob (1) to dispense steam for one/two seconds to drain the water contained in the steam tap.
- Pour the drink in the jug. We recommend using stainless steel jugs with conical spouts.
- Insert the steam tap (2) into the jug, then dispense steam by working on knob (1).
- After heating up, turn off the steam supply.
- After preparing each drink, dispense steam for a few seconds to remove any residual drink. Before and after each dispensing, clean using an exclusively dedicated cloth (to be replaced periodically) to avoid the formation of limescale deposits difficult to remove.



CAUTION: Be aware that the wand (2) is hot and can burn your hand. To move it, hold it only in the area (4) coated with rubber.

10.7 PREPARATION OF TEA, CAMOMILE AND OTHER HOT DRINKS

- Place the special jug under the water tap (5).
- Press button (6) to dispense hot water, when the set time is reached the dispensing stops.
- Add the desired product.

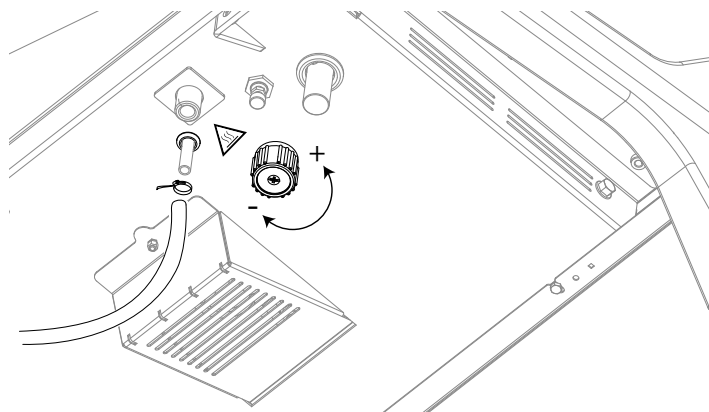


10.8 ADDITIONAL STEAM OUTLET (OPTIONAL)

It is possible to use the additional steam outlet by connecting a silicone tube fully tightened with a screw steel clamp. Turn clockwise (+) to allow the steam to come out, turn anticlockwise (-) to stop it.



Warning: hot surface. Never open the tap when the silicone tube is not connected to the steam outlet. This operation must be performed only by a specialised technician.



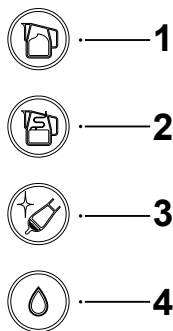
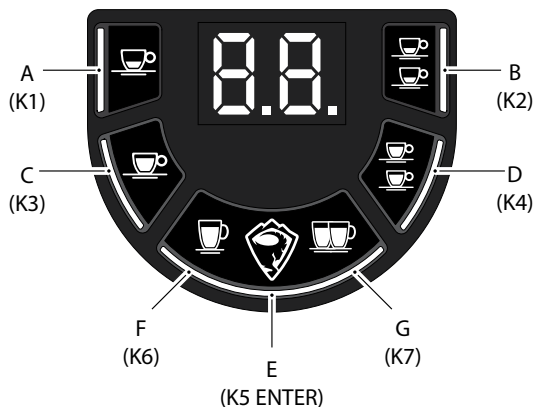
PROGRAMMING

11	PROGRAMMING	100
11.1	PROGRAMMING AND READINGS	100
12	ALARM SIGNAL	108

11 PROGRAMMING

The machine can be programmed via the unit and Autosteamer button panels.

11.1 PROGRAMMING AND READINGS



The quantity of dispensed coffee can be programmed for all buttons.



IMPORTANT: when the left button panel is programmed (unit number 1), the programmed doses are automatically transferred to the other button panels.

You can customise the coffee doses for each dispensing unit.

PROGRAMMING COFFEE DOSES

Start the machine as described in the relevant paragraph.

Program the doses as follows:

- Fit the filter holder with coffee on the left unit of the machine, as shown in the paragraph "OPERATION".
- Position a cup or two cups under the unit according to the type of programming to be performed.

- Press button (E) of unit 1 for more than 10 seconds and check that the LED switches from steady to flashing. The following screen will be displayed:



- Within 30 seconds, press the dispensing button to be programmed, e.g. button (A) (single espresso coffee).
During dispensing the LEDs of buttons (A) and (E) remain lit, the other buttons go off.
The seconds counter displays the time in progression.
- When the coffee reaches the desired quantity in the cup, press any button on the button panel to stop dispensing; the quantity of dispensed coffee for that button will be saved, the button (A) turns off while the other buttons that still need to be saved turn on.
- If necessary, repeat the aforementioned operations to program the other buttons as well; after 30 seconds without using any button, the dose programming stage will be quitted.

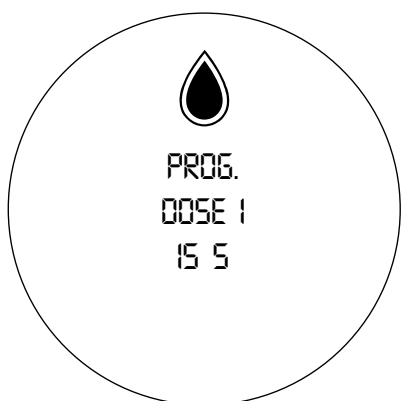
PROGRAMMING CONTINUOUS DOSE

You can also programme the continuous dose on buttons (E). The programming procedure is the same as for the other 4/6 doses of each button panel described above. During programming, only the LED of the continuous button being programmed remains lit.

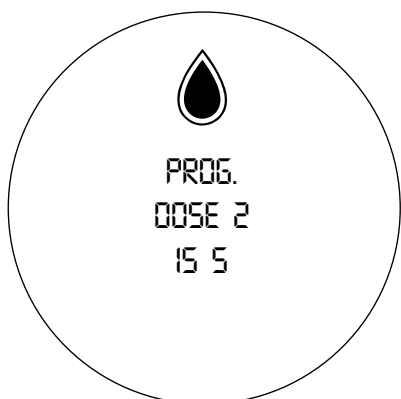
If Purge is enabled, press the (E) button twice to start programming.

HOT WATER DOSE PROGRAMMING

- It is possible to save two different hot water doses. To store dose "1", press button (E) for more than 10 seconds and check that the LED changes from steady to flashing. Within 30 seconds press button (4) associated with the tea dose once to store dose "1". The following screen will be displayed:



- When the desired quantity has been reached, press button (4) again to stop dispensing.
- If you wish to program dose "2", follow the same procedure by pressing button (4) twice quickly.



- After 30 seconds without using any button, the dose programming stage will be quitted.

PROGRAMMING FOR AUTOSTEAMER STEAM TEMPERATURE SIMULATION

- Milk frothing (button 1) and drink heating (button 2) can be programmed independently to respectively froth milk or heat a drink with two different temperatures (both by default set to 60°C / 140°F).

- Before you start programming one of the two buttons, prepare the jug with milk or drink you want to heat under the wand.
- Insert a thermometer inside the jug if you want to measure the product temperature.
- To program the operating temperature of milk frothing function, enter the mode pressing button (1) for more than 5 seconds. The following screen will appear on the display with the seconds counter indicating the time in progress:

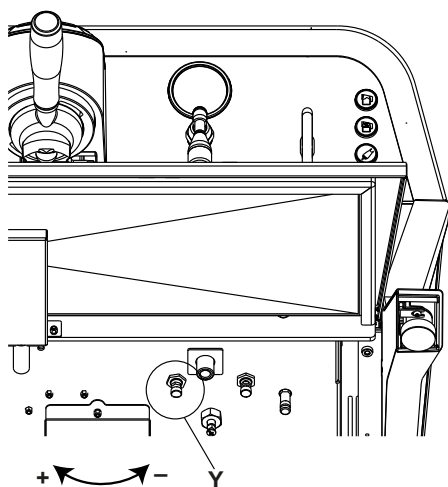


- Alternatively press button (2) for more than 5 seconds for heating only. The following screen will appear on the display with the seconds counter indicating the time in progress:



- Once the desired temperature has been reached, press the previously pressed button again. The new temperature value is stored.
- After 10 seconds without using any button, the temperature programming stage will be quitted.

It is possible to adjust the amount of inlet air into the Autosteamer to vary the degree of milk frothing by acting on the "Y" regulator positioned under the machine.



Turn clockwise (+) to increase the amount of air in the emulsion.

MACHINE SWITCHING ON/OFF

To switch off the machine, using unit 1, press button (E) and then button (C) while keeping button (E) pressed. All the button panels and the display switch off; to switch the machine on again press button (C) of unit 1.

TECHNICAL USER MENU

To access the technical user menu, in ON condition press button (E) of unit 1 for at least 15 seconds: once the display shows the message "DOSE PROGRAMMING" continue to hold button (E) pressed. The following items are displayed in sequence:

- 1) Cup heating plate,
- 2) LED bar.
- 3) ECO mode.
- 4) Programming coffee doses.
- 5) Pre-infusion enabling
- 6) Setting of ON/OFF time for pre-infusion of single doses.
- 7) Setting of ON/OFF time for pre-infusion of double doses.
- 8) Enabling of user "Flush" signal
- 9) Setting of clock and programmed switching on.

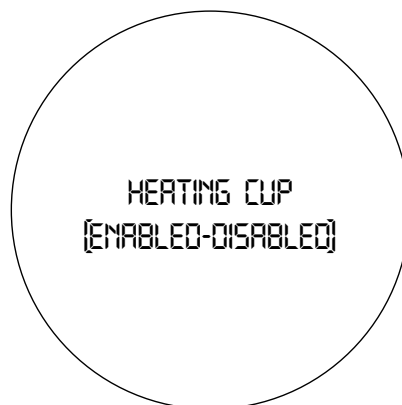
- 10) Global counters.
- 11) Unit automatic washing
- 12) Menu exit

Use buttons (C) and (D) to go backwards/forwards in the user menu items, to enter the selected item, press button (E).

Once in the menu, press (A)/(B) to decrease/increase the value if there is a numerical field to be modified or to enable/disable a function. After making your choice, press (E) to return to the technical user menu or (C) or (D) to confirm and move on to the previous or next function. If you pause for more than 60 seconds on a selected parameter without taking any action, you will automatically exit the menu. On each item of the menu, only the buttons actually useful and necessary to modify the values of the parameter under examination will be lit.

LED AND CUP HEATING PLATE ENABLING

You can enable the LEDs and the cup heating plate. Go to the technical menu and enter the cup heating plate menu by pressing button (E). The following screen will be displayed:



If you want to modify the parameter (display enabled or disabled) you must act on buttons (A) (<) or (B) (>). Once enabled, it is possible to set the power value expressed in % from a minimum of 20% to a maximum of 100% by pressing the (A) (-) or (B) (+) buttons. It is possible to enable/disable the cup heating plate without accessing the user menu using unit 2 by pressing button (E) and then button (B) while keeping button (E) pressed; activation of this mode is indicated by the icon on the TFT (cup heating plate) turning on. After the last parameter has been set, press

button (D) to move on to the LED lighting setting. Press button (E) to enter the menu. The following

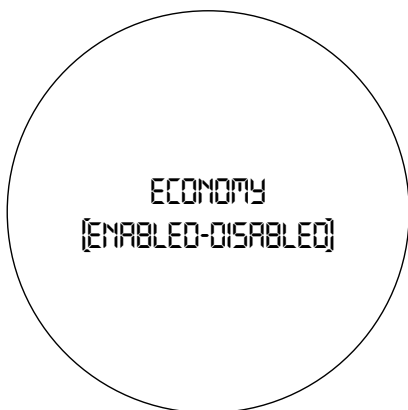
screen will be displayed:



If you want to modify the parameter (display enabled or disabled) you must act on buttons (A) (<) or (B) (>), confirm with (E). It is possible to enable/disable the LED activation without accessing the user menu using unit 2 by pressing button (E) and then button (D), always keeping button (E) pressed.

ECO MODE ENABLING

After the settings concerning the LED bar, pressing again the button (D) allows moving to the enabling of the "ECO MODE". To enter the item, press the button (E).



If you want to modify the parameter (display enabled or disabled) you must act on buttons (A) (<) or (B) (>), confirm with (E). Activation of this mode is indicated by the lighting up of the icon on the TFT (green leaf).



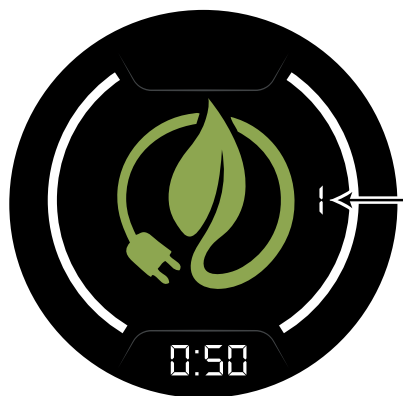
The operation is structured as follows:

Phase 1: after 1h30' of missing coffee or hot water dispensing, the machine switches to economy mode with steam boiler temperature fixed at 110°C (230°F).

Phase 2: after 3 more hours, it brings the boiler temperature to 100°C (212°F).

Phase 3: after another hour, the heating is brought to 60°C (140°F) alternating heating phases up to 80°C (176°F). In this phase the LED bar and cup heating plate are switched off.

It will not be possible to make coffee/hot water/steam and the LEDs will be off while the LED (C) of unit 1 remains on and when pressed it allows you to exit the ECO mode. Even if it is disabled from the user menu, it is possible to set the machine directly to ECO phase 1 by repeating the pressing sequence of button (E) twice and then button (C), always keeping button (E) pressed. The number on the right, indicated by the arrow, indicates the current ECO phase.



It is possible to interrupt the Energy Saving cycle before it ends and re-establish the optimal operating conditions by pressing button (C) of unit 1.

VIEWING AND EDITING DOSES

After the settings for the economy mode, press button (D) again to display/change the coffee doses in ml. To enter the menu details press (E), while pressing (D) to go to the next parameter.



If you want to change the parameter you must act on the buttons (A) (-) or (B) (+) with steps of 1 ml.

During editing, the dose flashes.

Press (C)/(D) to scroll forward/backward through all doses for all units, displaying both the continuous dose button and the two additional doses for the 7-button version (after the last dose you then switch back to the first one). The doses also include the MAN button (E).

To exit the setup menu at any time, press (E), which returns you to the "Dose Setup" screen again.

PRE-INFUSION

When you have finished setting the coffee doses, press button (D) to switch to the display for selecting the pre-infusion function. By pressing button (E) you can enable/disable the pre-infusion using the button (A) (<) or (B) (>). Once the choice has been confirmed with button (E), programming of the single/double pre-infusion times takes place.

Use button (C) (<) or (D) (>) to select single/double ON/OFF programming. The following screen will be displayed:



XX = activation time

If you want to change the pre-infusion activation time, press buttons (A) (+) and (B) (-). When you have finished setting all the values, from the pre-infusion OFF/pause screen, press (E) to confirm and move on to the procedure for changing the parameters of the DOUBLE COFFEE PRE-INFUSION. The procedure for changing the parameters is the same as for SINGLE COFFEE PRE-INFUSION. The following screen will be displayed:



Once all the values have been set correctly, press (E) to confirm and return to the PRE-FUSION menu.

ENABLING OF USER "FLUSH" SIGNAL

When you have finished setting the double coffee dose pre-infusion, press button (D) to switch to the function display for ENABLING FLUSH MESSAGE (press (E) to enter the menu). This function, specific for machines with thermosiphon circulation, generates an indication/suggestion on the button panels when the machine remains on without dispensing coffee for a certain time (default 15 minutes). This operation is necessary to clean the unit head and ensure a better extraction. The display shows:



XXX = ON / OFF

YY = idle time of the unit in minutes after which the button (E) of the unit concerned provides the indication.

If you want to modify the parameter related to the enabling/disabling of the item, use buttons (A) (<) or (B) (>). Default value OFF. By pressing button (A) (-) or (B) (+) you can change the unit inactivity waiting time. Press (E) to save and return to the menu. When the set time expires (valid for all units), button (E) of the unit under examination makes two ON/OFF flashes every 90s ("FL" on group display). When the button (E) blinks press it to perform the Flush.

CLOCK SETTING

After the "Flush" menu you will find the clock setting menu. To enter the item, press the button (E). The following screen will be displayed:



HH = current time (0...23)

MM = current minute

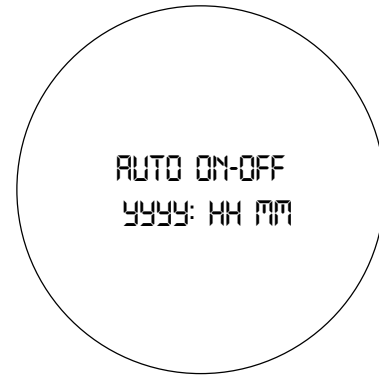
XXX = day of the week

If you want to change the parameter you have to move with the button (C) (<) or (D) (>) and with button (A) (-) or (B) (+) you change the values.

After the last parameter has been set, press button (E) to move on to the automatic switch-on setting.

AUTO ON/OFF/ECO SWITCHING ON/OFF

It allows the definition of the automatic switching-on/off times of the machine and the weekly closing days. The following screen will be displayed:



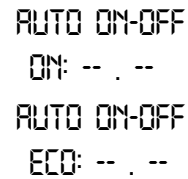
As an alternative to the OFF mode, it is possible to set the ECO mode that keeps the machine active, but at a lower SETPOINT.

They are programmed in the following order:

- switching on time (AAA = ON)
- switching on minute (AAA = ON)
- switching off time/ECO (AAA = OFF/ECO)
- switching off minute/ECO (AAA = OFF/ECO)
- days off

To switch between them, press button (C) (<) or (D) (>).

It is possible to set just one switching on and one switching off and they are valid for all the days of the week except for the days off. If you do not wish to have automatic switching on or off, go to the programming of the corresponding time and press (A) (+) or (B) (-) and set the value "-.-.-" visible on the display until one of the two screens appears on the display:



- if the switching on is disabled, the switching off and the day off remain automatically disabled; pressing (E) skips the relative settings and goes directly to the next parameter. Switching on and off can therefore only be done manually using the procedure described in the previous paragraph.
- If switching on is enabled, pressing (E) allows passing to the switching off setting.
- Once the switching off has been set, press (E) to access the days off menu.



Press button (D) and the total number of coffees dispensed so far is shown.

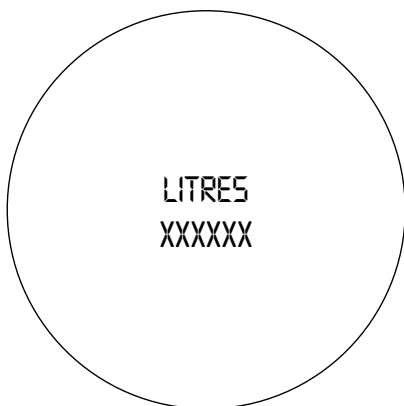


The sub-menu with the various weekdays will then be displayed. It will be possible to enable the function at "day off" by using button (A) (<) or (B) (>), to scroll through the days. You can set up to two days off.

Press button (E) to view the counts in detail. Individual dose totals for each unit are shown. The following screen will be displayed:

READING OF CONSUMPTIONS, LITRES, MAINTENANCE AND WASHING CYCLES

After the settings concerning the clock, press button (D) again to switch to the display of the global counters. To enter the item, press the button (E). The following screen will be displayed:



where Y is the unit

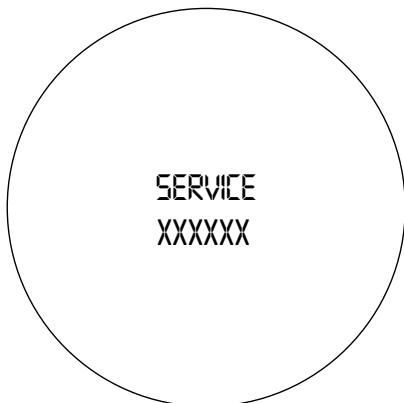
ZZZZZ = is the type of coffee

XXXXX = the number of coffees

To switch to the coffee count display of the next unit, press (D)/(E).

Press button (D) to move to the number of cycles completed to date.

When you have finished displaying the coffee counters, press (E) to move on to the next parameter.



Pressing button (E) shows the number of wash cycles carried out by the machine since the last reset. Washings are counted regardless of their type, provided they have actually been carried out.

Press (D) to access the "washing cycle log" detail.

In this way it will be possible to consult the log of the last 20 wash cycles carried out with a description of the date and time.



Where XX.XX.XX indicates day.month.year

and YY:YY indicate hour:minutes

To access the next wash history display, press (D) or (C) to view the previous one.

Once the 10 logs have been recorded, the wash cycle counter will automatically overwrite each time a new wash cycle is performed.

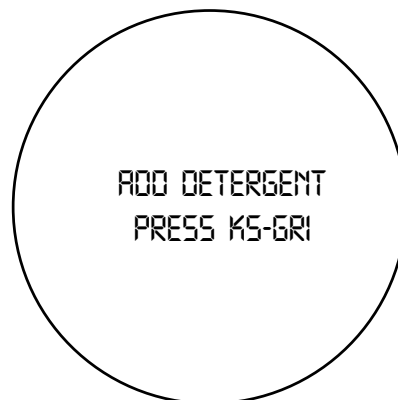
At the end of the review, pressing button (E) allows exit from this phase.

UNIT AUTOMATIC WASHING

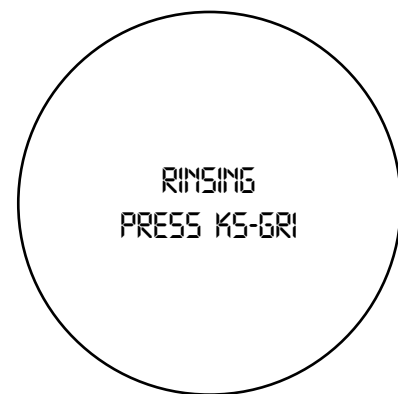
After the settings for the global counters, press button (D) again to switch to the automatic cleaning function for all units. To enter the item, press the button (E). The following screen will be displayed:



If you want to modify the parameter (display YES or NO) you must act on buttons (A) (<) or (B) (>), confirm with (E). Once "YES" has been confirmed, the following screen will be displayed:



If you decide to continue washing, remove the filter holder and empty it, remove the filter and insert the blind filter, pour specific detergent for coffee machines into the blind filter; for the quantity, follow the instructions on the detergent package. Pressing (E) will start the automatic unit washing process and the display will show "WASH. COMPLETE" with the process countdown underneath. The LEDs (E) and (A) of the units start to flash to confirm that the washing phase has been carried out (the unit displays show the "CL" message during the entire process). When the washing phase is complete, the following screen will be displayed:



Remove the filter holder and clean the blind filter, washing it with running water. Reinstall the filter holder in the unit. Pressing (E) will start the rinsing process and the display will show "RINSE" with arrows moving from left to right. At the end of the rinsing phase, the display will show "EXIT MENU". Disassemble and remove the filter holder, replace the blind filter with the normal filter and dispense a coffee to eliminate any unpleasant flavours.

If washing is not completed due to external causes (power blackout), the next time the machine is switched on, the rinsing phase is forced.

It is possible to directly access the complete unit washing function without accessing the user menu

using unit 1 by pressing button (E) and then button (D), always keeping button (E) pressed.

12 ALARM SIGNAL

TIME OUT OF (FILLING) LEVEL IN THE BOILER

When the display shows:



it means that the boiler water level filling time has been exceeded.

All the LEDs on the button panels start flashing to visually signal the user that the alarm has switched to the alarm phase.

To quit the alarm message it is necessary to switch the machine off and on.

BOILER TEMPERATURE PROBE SHORT-CIRCUIT / OVER-TEMPERATURE

The display shows:



If the boiler temperature probe is in short-circuit or if the temperature exceeds a certain value for 5 consecutive seconds, the alarm is indicated by all the LEDs flashing.

Once the cause has been eliminated, the alarm is reset by switching off the machine (OFF).

BOILER TEMPERATURE PROBE DISCONNECTED / INTERRUPTED

The display shows:



In case of disconnected or interrupted boiler temperature probe or determining a temperature around 0°C, an alarm indication is given within 5 seconds, making all the button panel LEDs flash.

Once the cause has been eliminated, the alarm is reset by switching off the machine (OFF).

MISSING VOLUMETRIC COUNTER PULSES

If "A7" appears on the unit display, this means that no volumetric counter pulses are received for the activated unit.

The LED related to the selected dose starts blinking.

After 3 minutes (volumetric counter time-out) without pulses from the volumetric counter, the current dose is automatically stopped.

For more information see section: MALFUNCTION, CAUSES AND SOLUTIONS.

MALFUNCTION: CAUSES AND SOLUTIONS

13 MALFUNCTION: CAUSES AND SOLUTIONS 110

13 MALFUNCTION: CAUSES AND SOLUTIONS

MALFUNCTIONS, CAUSES AND SOLUTIONS

Following is a list of some of the inconveniences that may occur when using the machine.

For all problems not included in this table, please contact the Technical Assistance Service.

PROBLEMS	CAUSES	SOLUTIONS
Water is not dispensed by the unit	The water mains tap or the impurity filter taps are closed.	Open the tap
	The water intake union filter is clogged	Disassemble and clean. Check regeneration of the impurity filter resins
	Clogged Gigleur	Call the technical service
Water does not heat up	Burnt out resistor	Call the technical service
	Safety thermostat tripped	Call the technical service
	Main switch set to "1"	Turn the switch to "2"
Dispensing does not occur in regular doses	Defective volumetric dosing device	Call the technical service
There is a leak from the steam wand with the tap closed	Defective gasket	Call the technical service
Steam is leaking under the tap knob during opening	Faulty tap axis gasket	Call the technical service
Insufficient use of coffee	The grain size of ground coffee is not correct (too fine or too coarse grain)	Check the grinding time and/or adjust grinding
	Partially clogged head and filters	Call the technical service
	Incorrect service boiler temperature	Call the technical service
During dispensing a leakage occurs between the unit and the filter holder	Defective cup gasket or uneven filter edge	Call the technical service
Autosteamer not working	Tap probe breakage (does not froth and heat the drink and the Autosteamer button panel LEDs are flashing)	Call the technical service
Cold tea water	Incorrect mixed water setting	Set mixed water

PROBLEMS	CAUSES	SOLUTIONS
Coffee is too cold	Machine not ready	Wait for the temperature to be reached
	Presence of limescale in the boiler	Call the technical service
The machine does not dispense hot water	Machine not ready	Wait for the temperature to be reached
	Faulty dispensing solenoid valve	Call the technical service
	Clogged dispensing ducts	Call the technician to perform a limescale removing cleaning
Coffee is not dispensed or is dispensed too slowly	Insufficient water supply	Check the supply line
	Clogged filter holder dispensing hole	Clean the filter holder thoroughly with specific detergent or using a toothpick
	Grinding too fine, possible generation of error "A7" on the unit display	Adjust the grinder dosing device
Coffee is not dispensed	Unit solenoid valve malfunction	Call the technical service
	Unit gicleur clogging (probable limestone)	Call the technical service
The machine does not dispense steam	Main switch set to "1"	Turn the switch to "2"
	Clogged dispensing nozzle	Clean
	Clogged dispensing ducts	Call the technician to perform a limescale removing cleaning
	Faulty steam tap	Call the technical service
Coffee overflows from the edges of the filter holder	Dirty residues are present in the seat of the filter holder, preventing coffee from flowing through the spout	Clean
	Unit gasket worn out	Replace
	Clogged heads	Clean or replace

DECOMMISSIONING, CHECKS AND CONTROLS

14	TEMPORARY DECOMMISSIONING	113
14.1	RE-COMMISSIONING THE MACHINE	113
15	CHECKS AND CONTROLS AFTER A LONG PERIOD OF INACTIVITY.....	113

14 TEMPORARY DECOMMISSIONING

If the machine is not used for a long period, perform the following operations:

- Perform maintenance operations.
- Disconnect water and power supply.

Drain the water contained in the boiler as follows:

- remove the upper cup heating plate.



ATTENTION: Before performing this operation, make sure that the coffee machine is off (power supply upstream of the machine disconnected), that the water supply tap upstream of the machine is closed and that the water in the boiler is cold.

- Drain the water contained in the boiler by opening the drain tap.
- Cover the machine with a cotton cloth and place it in a room free of dust and humidity.

14.1 RE-COMMISSIONING THE MACHINE

To re-commission the machine, proceed as follows:

- Clean the machine thoroughly.
- Dispense water from the shuttering tap located upstream of the machine to eliminate any residue from the pipe.
- Clean or replace the filters installed upstream of the machine.
- Close the drain tap and refit the upper cup heating plate.
- Perform the commissioning operations as described in the relevant paragraph.



15 CHECKS AND CONTROLS AFTER A LONG PERIOD OF INACTIVITY



ATTENTION: after prolonged inactivity, the machine must be checked by a specialised technician



Before using the machine, the following operations must be performed:



- Clean the machine thoroughly.
- Dispense water from the shuttering tap upstream of the machine to eliminate residues in the pipe.
- Clean or replace the filters installed upstream of the machine.
- Reconnect water and power supplies as described in the chapter "Installation" in this manual.
- Check there are no leaks in the water supply circuit.
- Start the machine and perform the first start-up operations described in "chapter 4" of this manual.

CLEANING

16	CLEANING.....	115
16.1	GENERAL WARNINGS FOR CLEANING	115
16.2	ROUTINE MAINTENANCE.....	115
16.2.a	UNIT MANUAL WASHING	115
16.2.b	UNIT AUTOMATIC WASHING.....	116
16.2.c	DAILY MACHINE CLEANING	116
16.3	SCHEDULED MAINTENANCE (TECHNICIAN)	117
16.4	MAINTENANCE AS REQUIRED (TECHNICIAN).....	117

16 CLEANING

16.1 GENERAL WARNINGS FOR CLEANING

It is forbidden to:

- use water jets to clean the machine;
- use detergents containing alcohol, ammonia or abrasive sponges to clean the machine; use only specific detergents for coffee machines or dishwashers.
- Chemical detergents for machine and/or system cleaning must be used with care to prevent wear of the components and damage to the environment (biodegradability above 90%).
- Clean all parts and components of the machine fully.
- Cleaning and maintenance to be performed by the user must not be done by children without supervision.



ATTENTION: Maintenance operations must be performed with the machine off and cold and with the main switch set to "0" OFF. For particular maintenance operations to be carried out with the machine in operation, proceed with great caution.



ATTENTION: When carrying out regeneration or maintenance operations on the decalcifier, follow the instructions in the relevant manual.

16.2 ROUTINE MAINTENANCE

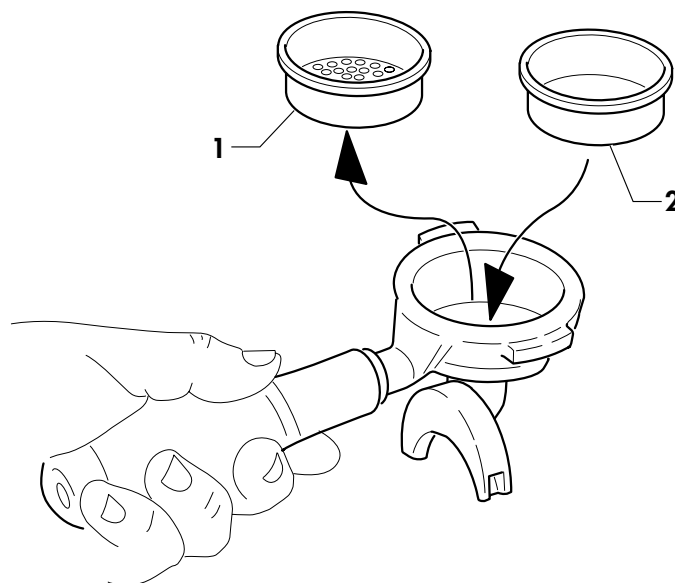
Ordinary maintenance includes all the interventions that must be carried out on the machine every day at the end of the service.

16.2.a UNIT MANUAL WASHING



IMPORTANT: all units of the machine must be washed. The duration of the cleaning cycle is about 3 minutes.

- Remove the filter holder and empty it.
- Remove the filter (1) and insert the blind filter (2), pour specific detergent for coffee machines into the blind filter; for the quantity, follow the instructions on the detergent package.



- Reassemble the filter holder in the machine and press button (E) and then (A), always keeping button (E) of the button panel of the unit you are referring to pressed. The unit washing cycle will start automatically, LEDs (A) and (E) will light up flashing and the message "CL" will appear on the display.



- Remove the filter holder and clean the blind filter, washing it with running water.
- Refit the filter holder in the unit and repeat the washing stage without pouring detergent in the blind filter; a rinsing stage is then performed.

At the end of the rinsing phase disassemble and remove the filter holder, replace the blind filter with the normal filter and dispense a coffee to eliminate any unpleasant flavours.

It is possible to interrupt the manual unit washing in progress by pressing any button of the unit concerned.

16.2.b UNIT AUTOMATIC WASHING

To activate the automatic washing of all the units, see the specific function in PROGRAMMING in the paragraph TECHNICAL USER MENU.

16.2.c DAILY MACHINE CLEANING

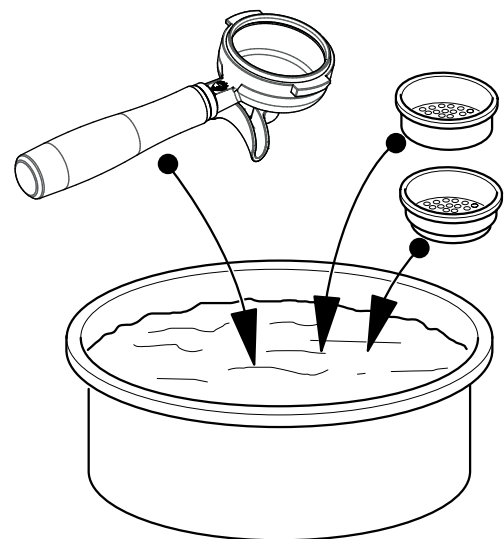
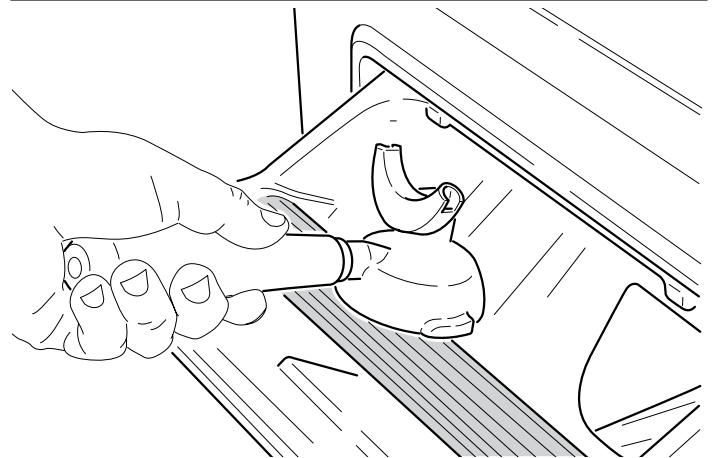
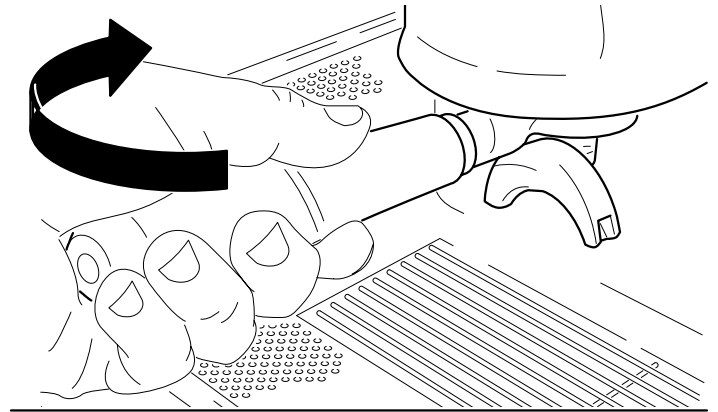


WARNING: DO NOT use corrosive or abrasive detergents, use only detergents specifically for cleaning coffee machines or cleaning dishes.

DO NOT clean the machine using water jets.

For cleaning, proceed as follows:

- remove the filter holders and empty them;
- remove the filters from their holders and immerse both in a basin containing a specific detergent, leaving them to soak for as long as the machine is not used;



- remove the grille and wash it with running water and specific detergents;
- after washing it, dry it completely with a soft cloth and reassemble it.

- Check the steam wands to make sure they are not encrusted, if necessary clean them using specific detergents.



16.3 SCHEDULED MAINTENANCE (TECHNICIAN)

Scheduled maintenance lists all the operations that must be carried out on a fixed schedule to ensure the correct operation of the machine.



IMPORTANT: all scheduled maintenance operations must be carried out by a technical service centre. It is advisable to stipulate a maintenance contract with the local technical assistance centre for any inconvenience that may occur while using the machine.

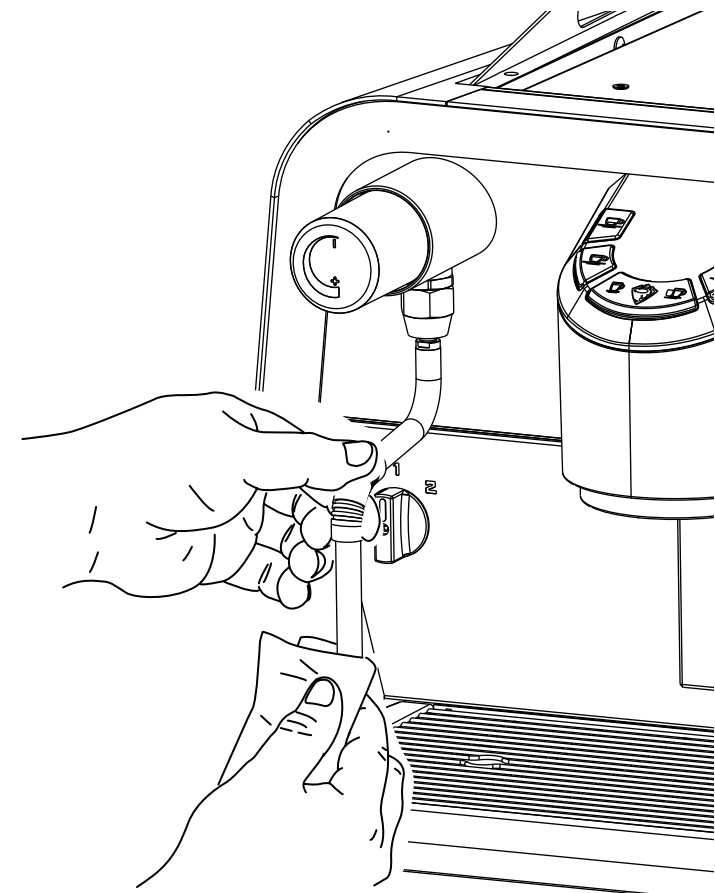


16.4 MAINTENANCE AS REQUIRED (TECHNICIAN)

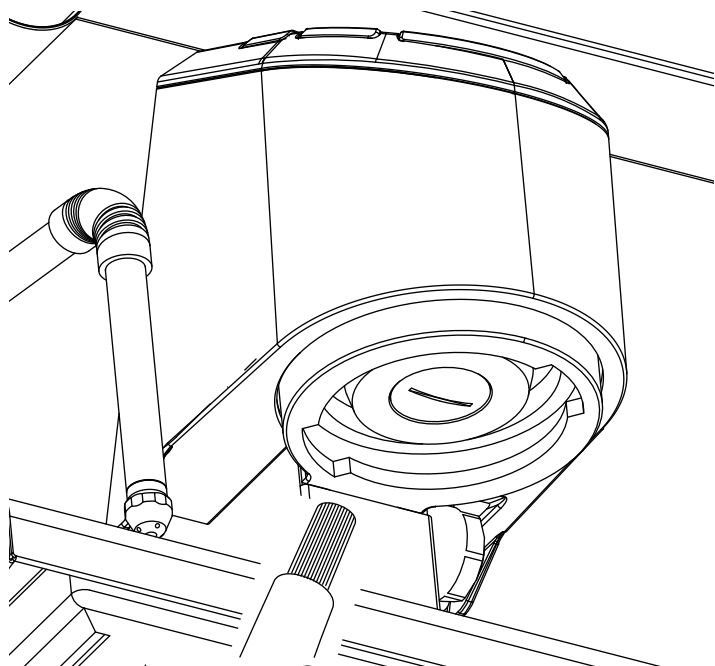
It lists certain operations that must be performed when necessary, such as replacing a worn or broken component.



IMPORTANT: Any problem not included in the table in chapter 13 must be referred to the technical assistance centre.



- Clean the lower part of the unit with a sponge and with a soft bristle brush clean the gasket (3).



- Clean the outside of the machine using a cloth moistened with water.

SERVICE AND DISPOSAL

17	TECHNICAL SERVICE AND SPARE PARTS	119
18	DISPOSAL OF THE MACHINE	119
18.1	DISPOSAL OF HARMFUL SUBSTANCES	119

17 TECHNICAL SERVICE AND SPARE PARTS

For spare parts and all problems regarding the machine, contact the authorised sales network only.

If repairs are required, use only original spare parts to guarantee that the technical features of the machine remain unchanged over time.

To order spare parts, follow the instructions in the spare parts catalogue.



18 DISPOSAL OF THE MACHINE



To protect the environment, proceed in accordance with the local regulations in force.

When the appliance can no longer be used or repaired, the components must be separated for disposal. Machines sent for disposal must be intact.

Electrical equipment cannot be disposed of as urban waste, but must be sorted in compliance with the special regulations on Waste Electrical and Electronic Equipment (Italian Legislative Decree no. 49 of 14/03/2014, Decree 2012/19 EU, Decree 2003/108 EU, Italian Legislative Decree no. 151 of 25/07/2005, Italian Legislative Decree no. 152 of 03/04/2006).

Electrical equipment is marked with a crossed-out wheeled bin symbol. This symbol indicates that the equipment was placed on the market after 13 August 2005 and must be disposed of separately.

Considering the substances and materials contained in the equipment, its inappropriate or illegal disposal of, or its improper use, may cause damage to persons and the environment. Electrical waste disposal which does not comply with the regulations in force is punishable by administrative and penal sanctions.



IMPORTANT: for information on the disposal of harmful substances (lubricants, solvents, painted products, etc.) please refer to the following paragraph.

18.1 DISPOSAL OF HARMFUL SUBSTANCES

To dispose of these substances, refer to the regulations in force in the country of installation and proceed accordingly.



IMPORTANT: any irregularities committed by the Customer before, during or after scrapping and disposal of the machine components, and in interpreting and applying the regulations in force, is the sole responsibility of the Customer.



SANREMO
C O F F E E M A C H I N E S

Nous vous félicitons d'avoir acheté un produit SANREMO : chacun de nos articles est le fruit d'une recherche attentive, en collaboration permanente avec les amateurs de café du monde entier. Voilà pourquoi votre opinion est extrêmement importante pour nous : grâce à votre expérience et collaboration nous saurons nous améliorer de jour en jour pour obtenir toujours le meilleur de chaque création SANREMO.



SANREMO, think about it.

SANREMO COFFEEMACHINES

SANREMO coffe machines s.r.l.
Via Giacomo Bortolan, 52
31050 Vascon di Carbonera (Treviso) ITALIE
Tél. +39.0422.498900 - Fax.+39.0422.448935
www.sanremomachines.com - E-mail : info@sanremomachines.com

DONNÉES RÉCAPITULATIVES

Il est conseillé de noter les données de la machine dans le tableau ci-dessous, afin de faciliter les éventuels rapports au réseau de vente.

SANREMO COFFEEMACHINES		MADE IN ITALY Via G. Bortolan, 52 31050 VASCON (TV) ITALY
mod (A) type (B)		 
(C) W (D) V (E) Hz		
S.N. (F) boiler 1: (G)		
P.max: (H) boiler 2: (I)		
water supply: (J)		
	(K)	

- A Modèle
- B Identification configuration de la machine
- C Puissance
- D Tension d'alimentation
- E Fréquence
- F Numéro d'identification
- G Pression maximale de la chaudière à vapeur 1
- H Pression maximale
- I Pression maximale de la chaudière à vapeur 2
- J Pression du réseau d'alimentation
- K Identification des certifications

INDEX GÉNÉRAL

1	NORMES ET AVERTISSEMENTS GÉNÉRAUX.....	126
1.1	AVERTISSEMENTS GÉNÉRAUX	126
1.2	NORMES DE RÉFÉRENCE	127
1.3	DESCRIPTION DES SYMBOLES	127
1.4	PRÉPARATIONS À LA CHARGE DE L'ACHETEUR	127
1.5	OPÉRATIONS D'URGENCE EN CAS D'INCENDIE	128
1.6	RISQUE D'EXPLOSION	128
1.7	NIVEAU DE PRESSION ACOUSTIQUE.....	128
1.8	VIBRATIONS.....	128
1.9	USAGE PRÉVU	128
1.10	MAUVAISE UTILISATION	128
1.11	DÉCLARATION POUR LES MATÉRIAUX EN CONTACT AVEC LES PRODUITS ALIMENTAIRES	128
2	DISPOSITIFS DE SÉCURITÉ.....	130
2.1	ÉTIQUETTES DE SÉCURITÉ.....	130
2.2	PROTECTIONS DE SÉCURITÉ.....	130
2.3	ZONES OPÉRATEUR.....	130
2.4	ZONES À RISQUE RÉSIDUEL	131
2.5	ZONES DANGEREUSES	131
3	DESCRIPTION DE LA MACHINE.....	133
4	DONNÉES TECHNIQUES.....	133
5	DÉBALLAGE ET POSITIONNEMENT.....	136
5.1	DÉBALLAGE DE LA MACHINE	136

5.2	SOULÈVEMENT DE LA MACHINE	136
5.3	POSITIONNEMENT DE LA MACHINE	136
6	IDENTIFICATION DES COMPOSANTS	137
6.1	PLAQUE SIGNALÉTIQUE	137
7	RACCORDEMENTS	139
7.1	RACCORDEMENT HYDRIQUE	139
7.2	CONSEILS POUR UNE UTILISATION CORRECTE DES POMPES ROTATIVES	140
7.3	RACCORDEMENT ÉLECTRIQUE	142
7.4	INSTRUCTIONS D'INSTALLATION	143
8	MISE EN SERVICE.....	146
8.1	PREMIER DÉMARRAGE	146
9	RÉGLAGE DES FONCTIONS.....	148
9.1	RÉGLAGE DU MOULIN-DOSEUR.....	148
9.2	ESSAIS DE DISTRIBUTION DU CAFÉ.....	148
9.3	LIVRAISON FINALE.....	148
10	UTILISATION DE LA MACHINE.....	150
10.1	DESCRIPTION DES COMPOSANTS.....	150
10.2	DESCRIPTION DES COMMANDES	151
10.3	COMMANDES SPÉCIALES	153
10.4	PRÉPARATION DU CAFÉ	155
10.5	PRÉPARATION DU CAPPUCCINO	156
10.6	RÉCHAUFFEMENT D'UNE BOISSON	157
10.7	PRÉPARATION DU THÉ, DE LA CAMOMILLE, ET D'AUTRES BOISSONS CHAUDES.....	157

11	PROGRAMMATION.....	159
11.1	PROGRAMMATION ET LECTURES.....	159
12	SIGNALISATION ALARME	167
13	DYSFONCTIONNEMENT : CAUSES ET SOLUTIONS	169
14	MISE HORS SERVICE TEMPORAIRE	172
14.1	REMISE EN SERVICE DE LA MACHINE	172
15	VÉRIFICATIONS ET CONTRÔLES APRÈS UNE INACTIVITÉ PROLONGÉE	172
16	NETTOYAGE.....	174
16.1	AVERTISSEMENTS GÉNÉRAUX CONCERNANT LE NETTOYAGE.	174
16.2	ENTRETIEN ORDINAIRE	174
16.2.a	LAVAGE MANUEL DU GROUPE	174
16.2.b	LAVAGE AUTOMATIQUE DES GROUPES	175
16.2.c	NETTOYAGE QUOTIDIEN DE LA MACHINE	175
16.3	ENTRETIEN PROGRAMMÉ (TECHNICIEN)	176
16.4	ENTRETIEN EXCEPTIONNEL (TECHNICIEN)	176
17	ASSISTANCE TECHNIQUE ET PIÈCES DE RECHANGE.....	178
18	DÉMANTÈLEMENT DE LA MACHINE	178
18.1	ÉLIMINATION DES SUBSTANCES NOCIVES	178

NORMES ET AVERTISSEMENTS GÉNÉRAUX

1	NORMES ET AVERTISSEMENTS GÉNÉRAUX.....	126
1.1	AVERTISSEMENTS GÉNÉRAUX	126
1.2	NORMES DE RÉFÉRENCE	127
1.3	DESCRIPTION DES SYMBOLES	127
1.4	PRÉPARATIONS À LA CHARGE DE L'ACHETEUR	127
1.5	OPÉRATIONS D'URGENCE EN CAS D'INCENDIE	128
1.6	RISQUE D'EXPLOSION	128
1.7	NIVEAU DE PRESSION ACOUSTIQUE.....	128
1.8	VIBRATIONS	128
1.9	USAGE PRÉVU	128
1.10	MAUVAISE UTILISATION	128
1.11	DÉCLARATION POUR LES MATÉRIAUX EN CONTACT AVEC LES PRODUITS ALIMENTAIRES	128

1 NORMES ET AVERTISSEMENTS GÉNÉRAUX

1.1 AVERTISSEMENTS GÉNÉRAUX

- Ce livret d'utilisation fait partie intégrante de la machine et doit être conservé attentivement pour toute consultation future.
- En cas de perte ou pour toute information supplémentaire, n'hésitez pas à contacter votre revendeur local ou le fabricant.
- Avant la première mise en service de la machine, l'opérateur doit avoir lu attentivement ce livret et avoir approfondi la connaissance des spécifications techniques et des commandes.
- Avant d'installer la machine, s'assurer que la surface où elle sera installée soit compatible avec les dimensions d'encombrement et son poids.
- La machine ne convient pas à l'installation à l'extérieur, dans des endroits où des jets d'eau peuvent être utilisés, ou dans des endroits où la température peut baisser au-dessous de 41 °F.
- Ne pas installer la machine à proximité d'une source de chaleur.
- Les enfants ne doivent pas jouer avec l'appareil.
- L'appareil peut être utilisé par des enfants âgés de 8 ans et plus et par des personnes avec des capacités physiques, sensorielles ou mentales réduites, ou sans expérience et dépourvues de la connaissance nécessaire, seulement s'ils sont surveillés ou instruits sur l'utilisation de la machine en toute sécurité et s'ils comprennent les dangers impliqués.
- Ne pas utiliser l'appareil avec les mains mouillées ou pieds nus.
- Ne pas permettre à des personnes non autorisées et non qualifiées de mettre en marche, régler ou réparer la machine.
- Le personnel technique autorisé doit avoir les connaissances nécessaires en matière d'hygiène et de sécurité pour utiliser correctement l'appareil.
- Se référer à ce livret pour les opérations nécessaires.
- Avant de nettoyer et/ou d'effectuer l'entretien de la machine et avant de retirer toute protection, **s'assurer que l'interrupteur général soit sur la position « OFF » (O)** afin de couper l'alimentation électrique à la machine pendant l'intervention de l'opérateur.
- L'installation électrique principale de l'acheteur doit comprendre un disjoncteur automatique en amont de l'interrupteur général de la machine avec une distance d'ouverture des contacts conforme aux spécifications de déconnexion pour la catégorie de surtension III et un système de mise à la terre approprié conforme à toutes les prescriptions des normes pour la prévention des accidents.
- Ne pas utiliser d'adaptateurs, de prises multiples et/ou de rallonges.
- Ne pas utiliser la machine si le câble d'alimentation électrique est endommagé ou craquelé.
- Au cas où l'on devrait intervenir sur l'interrupteur général ou à proximité, couper la tension à la ligne où est branché l'interrupteur général.
- Contrôler que tous les dispositifs de sécurité pour la prévention des accidents (protections, carters, microrupteurs, etc.) n'aient pas été altérés et qu'ils soient en parfait état de marche. Dans le cas contraire, effectuer les réparations nécessaires.
- **Ne pas enlever les dispositifs de sécurité.**
- Afin d'éviter tout risque personnel, utiliser seulement des outils appropriés et conformes aux réglementations nationales de sécurité.
- **FAIRE TRÈS ATTENTION AUX ÉTIQUETTES DE MISE EN GARDE PRÉSENTS SUR LA MACHINE CHAQUE FOIS QUE VOUS OPÉREZ SUR OU PRÈS DE LA MACHINE.**
- L'utilisateur doit en outre remplacer toute étiquette de mise en garde qui est endommagée pour n'importe quelle raison ou qui n'est pas clairement lisible, en demandant des nouvelles étiquettes au service pièces de rechange.
- Si la machine est défectueuse ou les composants sont endommagés, contactez votre revendeur ou le fabricant.
- Tout usage de la machine autre que celui expressément prévu et documenté est absolument interdit. La machine doit toujours être utilisée conformément aux procédures, temps et lieux établis par les règles de bonne pratique, en conformité avec les directives et les normes en vigueur dans le pays d'utilisation en matière de santé et de sécurité des travailleurs.

- **L'inobservance des normes de sécurité et des instructions fournies dans ce livret dégage le fabricant de toute responsabilité pour des accidents éventuels ou dommages aux personnes ou aux choses. Un usage autre que celui indiqué dans ce livret est considéré abusif. Si vous retenez que ce livret d'instructions n'est pas suffisamment exhaustif pour vos nécessités, contactez toujours votre revendeur local ou le fabricant pour toute indication et solution supplémentaires.**
- **CES NORMES DE SÉCURITÉ COMPLÈTENT, OU INTÈGRENT, LES NORMES DE SÉCURITÉ EN VIGUEUR LOCALEMENT.**
- **EN CAS DE DOUTE, DEMANDEZ TOUJOURS L'INTERVENTION DU PERSONNEL SPÉCIALISÉ.**
- **TOUTE MANIPULATION ÉLECTRIQUE/ÉLECTRONIQUE OU MÉCANIQUE DE LA MACHINE DE LA PART DE L'UTILISATEUR OU L'USAGE NÉGLIGENT DE CELLE-CI DÉGAGE LE FABRICANT DE TOUTE RESPONSABILITÉ ET REND L'UTILISATEUR LE SEUL RESPONSABLE DEVANT LES AUTORITÉS DE PRÉVENTION DES ACCIDENTS.**

1.2 NORMES DE RÉFÉRENCE

- La machine et ses dispositifs de sécurité ont été fabriqués en conformité avec les normes indiquées dans la déclaration de conformité.

1.3 DESCRIPTION DES SYMBOLES

- Beaucoup d'accidents sont causés par une connaissance insuffisante des normes de sécurité et par leur non-application. Les normes de sécurité doivent être respectées pendant l'usage et les opérations d'entretien de la machine.
- Pour éviter des accidents, lire, comprendre et respecter toutes les précautions et les mises en garde dans ce livret et celles reportées sur les étiquettes apposées sur la machine.

- Les symboles suivants sont utilisés pour identifier les messages de sécurité indiqués dans ce livret :



Danger électrique



Danger général ou informations diverses



Risque thermique (brûlures)



Risque de dommages causés à la machine

Pour identifier les opérations qui doivent être effectuées exclusivement par un technicien spécialisé, on a utilisé le symbole suivant :



1.4 PRÉPARATIONS À LA CHARGE DE L'ACHETEUR

a. Préparation du lieu d'installation

- L'acheteur doit préparer la surface sur laquelle la machine sera positionnée comme décrit dans le chapitre concernant l'installation.

b. Préparation électrique

- L'installation électrique d'alimentation doit respecter les normes de sécurité nationales en vigueur dans le lieu d'exploitation et doit être dotée d'un système de mise à la terre approprié.
- Un dispositif de coupure omnipolaire doit être installé sur la ligne électrique en amont de la machine.



Les câbles électriques d'alimentation doivent avoir des dimensions en fonction du courant maximal nécessaire à la machine de sorte que la baisse de tension totale à pleine charge résulte inférieure à 2 %.

c. Préparation hydrique

- Il faut préparer une vidange avec siphon correspondant et un réseau de distribution de l'eau qui fournit correctement de l'eau convenablement adoucie, avec un robinet diviseur en amont de la machine.

1.5 OPÉRATIONS D'URGENCE EN CAS D'INCENDIE

- a. En cas d'incendie, couper la tension à la machine en déconnectant l'interrupteur général.



Avec la machine sous tension, il est absolument interdit de chercher à éteindre l'incendie avec de l'eau.

- b. Éteindre l'incendie avec des extincteurs appropriés.

1.6 RISQUE D'EXPLOSION

La machine ne doit pas être utilisée dans des environnements où est présent un risque d'explosion.

1.7 NIVEAU DE PRESSION ACOUSTIQUE

La machine est fabriquée de manière à maintenir un niveau de pression acoustique pondéré continu équivalent inférieur à 83 dB, incertitude 2,5 dB.

1.8 VIBRATIONS

La machine est équipée de pieds en caoutchouc antivibratoire. Pendant les opérations normales, aucune vibration dangereuse pour l'utilisateur ou l'environnement n'est générée.

1.9 USAGE PRÉVU

La machine à café est réalisée et conçue exclusivement pour préparer du café expresso et des boissons chaudes (thé, cappuccino, etc.) en utilisant de l'eau chaude ou de la vapeur.

Seuls les opérateurs professionnels ayant une connaissance appropriée de l'hygiène et des normes de sécurité peuvent utiliser la machine à café.

Elle comprend une zone pour préchauffer les tasses. Cette zone doit être utilisée seulement pour cette fonction. Tout emploi différent est considéré incorrect et, par conséquent, dangereux.



L'usage incorrect de la machine dégage le fabricant de toute responsabilité pour des préjudices aux personnes ou des dommages aux choses.

1.10 MAUVAISE UTILISATION

La machine à café a été réalisée et fabriquée exclusivement pour l'usage alimentaire. Ce qui suit est donc interdit :

- l'utilisation de la machine par des opérateurs non-professionnels ;
- l'introduction de liquides autres que l'eau potable adoucie avec une dureté maximale de 3/5 degrés français (60/85 ppm) ;
- le réchauffement de boissons ou de substances non-alimentaires ;
- l'introduction de produits en poudre autres que le café dans le porte-filtre ;
- mettre des objets autres que les tasses sur le chauffe-tasses ;
- poser des récipients avec des liquides sur le chauffe-tasses ;
- obstruer les grilles d'aération avec des chiffons ou autre ;
- couvrir le chauffe-tasses avec des tissus ;
- toucher les zones de distribution avec les mains ;
- utiliser la machine quand elle est très mouillée.



Ce paragraphe énumère un nombre d'usages incorrects raisonnablement prévisibles ; toutefois, la machine doit toujours être utilisée dans le respect des instructions fournies dans la section « Usage prévu ».

1.11 DÉCLARATION POUR LES MATÉRIAUX EN CONTACT AVEC LES PRODUITS ALIMENTAIRES

Le fabricant SANREMO S.r.l. déclare par la présente que les matériaux utilisés dans ses produits sont conformes au règlement CE n° 1935/2004, au règlement n° 2023/2006/CE (BPF), au règlement n° 10/2011/CE pour les matières plastiques, au DM italien du 21 mars 1973 et aux modifications et compléments ultérieurs 1.

DISPOSITIFS DE SÉCURITÉ

2	DISPOSITIFS DE SÉCURITÉ.....	130
2.1	ÉTIQUETTES DE SÉCURITÉ.....	130
2.2	PROTECTIONS DE SÉCURITÉ.....	130
2.3	ZONES OPÉRATEUR.....	130
2.4	ZONES À RISQUE RÉSIDUEL.....	131
2.5	ZONES DANGEREUSES	131

2 DISPOSITIFS DE SÉCURITÉ

2.1 ÉTIQUETTES DE SÉCURITÉ

Les étiquettes de sécurité avec des pictogrammes descriptifs sont présentes sur toutes les surfaces qui représentent un danger pour les utilisateurs ou le technicien.



Les étiquettes concernant les instructions de sécurité sont appliquées sur la machine et doivent être respectées rigoureusement par tous ceux qui l'utilisent. Le non-respect des instructions de sécurité dégage le fabricant de toute responsabilité pour des dommages possibles aux personnes ou aux choses qui pourraient en résulter.

Danger alimentation active



Étiquette appliquée sur toutes les surfaces sous tension. Ne pas effectuer de travaux en présence de tension active.

Danger de brûlure



Étiquette appliquée dans la partie supérieure du chauffe-tasses.

2.2 PROTECTIONS DE SÉCURITÉ

Les systèmes de sécurité conçus et réalisés sur la machine à café sont essentiellement de deux types :

- dispositifs de sécurité mécaniques ;
- dispositifs de sécurité électriques/électroniques.

Dispositifs de sécurité mécaniques

Les dispositifs de sécurité mécaniques sont les suivants :

- panneaux de protection des composants électriques/électroniques et la chaudière complètement fermés à l'aide de vis ;
- surface de travail avec une grille et une cuvette pour recueillir les liquides ;
- commandes positionnées dans la partie supérieure de la machine au-dessus des zones de distribution ;
- soupape de surpression située sur la chaudière ;
- clapet anti-retour placé dans le circuit d'eau.

Dispositifs de sécurité électriques/électroniques

Les dispositifs de sécurité électriques/électroniques sont les suivants :

- disjoncteurs thermiques pour la protection des moteurs ;
- thermostats de sécurité pour le contrôle des surchauffes.

2.3 ZONES OPÉRATEUR

La machine est actionnée par un seul opérateur qui est debout devant la machine pendant le fonctionnement de celle-ci pour préparer facilement les opérations de café et d'autres boissons chaudes.

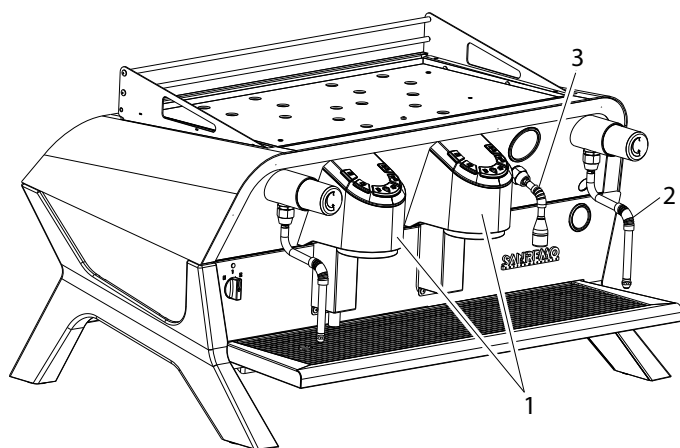
2.4 ZONES À RISQUE RÉSIDUEL

Les zones à risque résiduel sont celles qui ne peuvent pas être protégées à cause du type particulier de production. En ce qui concerne la machine à café, les zones sont les suivantes :

- la zone (1) des groupes pendant la distribution du café ;
- la zone (2) de la buse à vapeur pendant le réchauffement des boissons ;
- la zone (3) de distribution d'eau chaude.



Il y a le risque de brûlures dans toutes ces zones.



2.5 ZONES DANGEREUSES



Les zones dangereuses sont toutes les zones situées à l'intérieur de la machine, sous les protections de sécurité, où le technicien peut intervenir lors des opérations de réparation. Seul le technicien autorisé peut intervenir dans ces zones.

DESCRIPTION DE LA MACHINE - DONNÉES TECHNIQUES

3	DESCRIPTION DE LA MACHINE.....	133
4	DONNÉES TECHNIQUES.....	133

3 DESCRIPTION DE LA MACHINE

Les caractéristiques principales de la machine à café expresso automatique sont décrites ci-après.

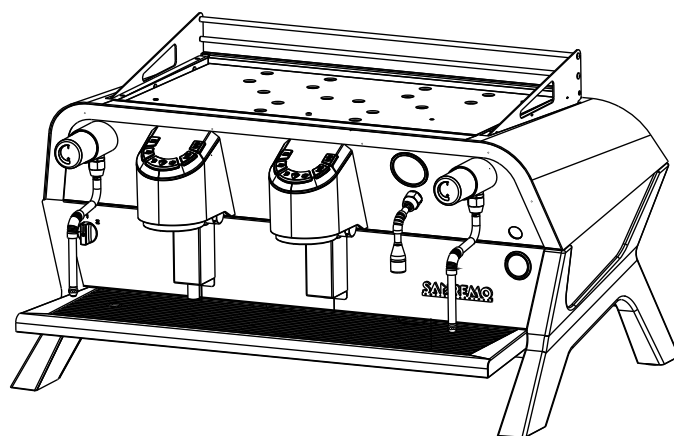
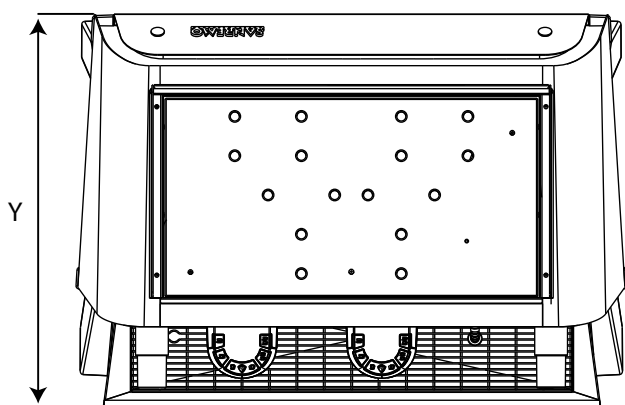
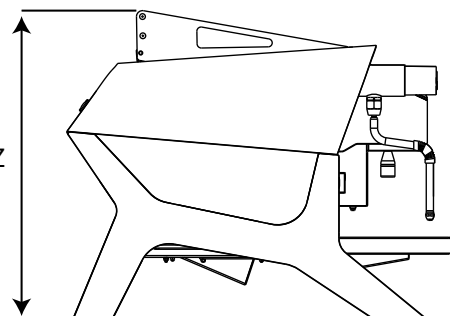
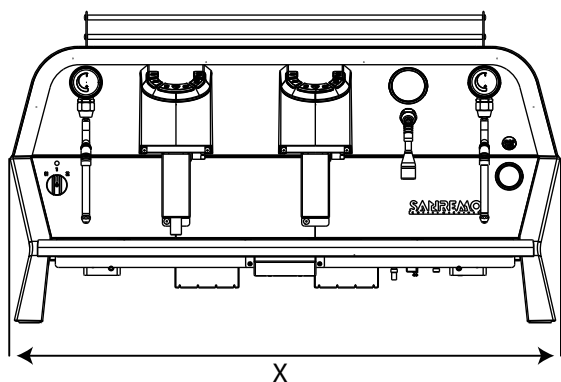
- Machine à café expresso professionnelle à 2 ou 3 groupes, disponible dans la version Tall.
- Remplissage d'eau automatique dans la chaudière.

La machine est réalisée et fabriquée pour la préparation de café expresso et de boissons chaudes.

Le café est distribué par les groupes et l'eau chaude ou la vapeur sont produites au moyen de commandes positionnées sur l'avant de la machine. Il y a un chauffe-tasses sur la partie supérieure la machine.

La machine se compose d'une structure sur laquelle tous les composants sont montés, entourés de panneaux fixés par des vis.

4 DONNÉES TECHNIQUES



	2GR - 2GR TALL	3GR - 3GR TALL
X	35,7 in	42,4 in
Y	25,5 in	25,5 in
Z	20,2 in	20,2 in

GROUPES		2- 2 TALL	3 - 3 TALL
Capacité de la chaudière	US gal	3,14	4,83
Poids net	lb	198,4	227,1
Tension d'alimentation	V	208-240V 60Hz	
Puissance de la résistance de la chaudière	kW	2,7 / 4 / 4,5	5,1 / 6
Puissance de la résistance du chauffe-tasses	kW	0,20	0,25
Puissance électropompe	kW	0,13 / 0,15	0,15
Puissance totale	kW	2,6 - 3,2 3,7 - 4,5 4,3 - 5,0	4,9 - 5,7 5,5 - 6,3
Pression de fonctionnement de la chaudière	Bar/PSI	0,8 ÷ 1,2 / 11,6 ÷ 17,4	
Pression de l'eau de réseau	Bar/PSI	1 ÷ 6 / 14,5 ÷ 87	
Pression de la distribution du café	Bar/PSI	8 ÷ 9 / 116 ÷ 130,5	
Température de fonctionnement	°F	41 ÷ 95	

TRANSPORT, DÉBALLAGE ET COMPOSANTS

5	DÉBALLAGE ET POSITIONNEMENT.....	136
5.1	DÉBALLAGE DE LA MACHINE	136
5.2	SOULÈVEMENT DE LA MACHINE	136
5.3	POSITIONNEMENT DE LA MACHINE	136
6	IDENTIFICATION DES COMPOSANTS.....	137
6.1	PLAQUE SIGNALÉTIQUE.....	137

5 DÉBALLAGE ET POSITIONNEMENT



IMPORTANT : les opérations de déballage et de positionnement de la machine doivent être effectuées par un technicien spécialisé et autorisé.

Pour éviter des risques possibles de contamination hygiénique, nous recommandons de laisser la machine dans son emballage jusqu'au moment de l'installation.

5.1 DÉBALLAGE DE LA MACHINE

- Contrôler toujours l'intégrité de l'emballage : informer le transporteur en cas de dommages éventuels ;
- Ouvrir la partie supérieure de l'emballage et baisser les languettes ;
- Extraire les accessoires : outils fournis avec l'équipement et documentation technique (livrets) ;
- Ouvrir la cellophane et soulever la machine EN LA TENANT DE LA BASE ;
- Les éléments de l'emballage (carton, cellophane, agrafes métalliques etc.) peuvent provoquer des coupures ou des blessures si ils ne sont pas manipulés attentivement ou si ils sont utilisés de manière erronée ; tenir hors de portée des enfants ou des personnes handicapées.



ATTENTION : les éléments d'emballage (sacs en plastique, carton, clous, etc.) NE doivent PAS être laissés à la portée des enfants en tant que sources potentielles de danger et doivent donc être collectés et envoyés dans des centres appropriés pour le recyclage.



La communication de dommages éventuels, défauts ou non-conformités doit être faite rapidement, dans les 8 jours à partir de la date de réception de la machine. Autrement, les produits sont réputés acceptés.

5.2 SOULÈVEMENT DE LA MACHINE

La machine doit être soulevée manuellement par quatre personnes ou plus, positionnées sur les côtés opposés de la machine, en la prenant sous le socle de la structure/pieds d'appui.

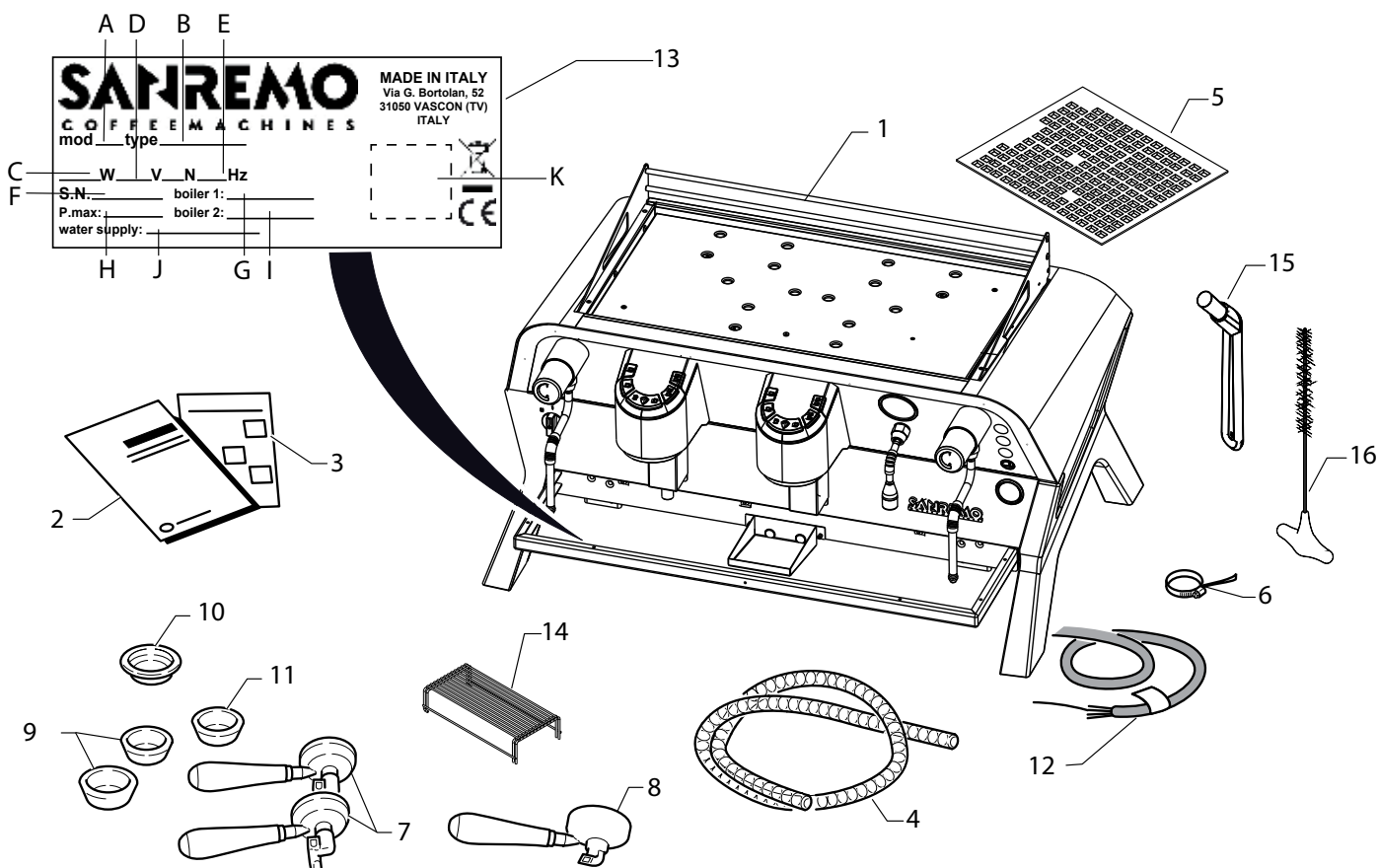
La machine peut aussi être soulevée avec un palan, en introduisant les sangles sous le socle de la machine et en fixant l'autre extrémité à un palonnier pour éviter d'écraser les panneaux extérieurs.

5.3 POSITIONNEMENT DE LA MACHINE

Placer la machine dans sa position définitive, en s'assurant que :

1. le meuble de support soit suffisamment solide et stable en tenant compte du poids de la machine et qu'il ne soit pas incliné ;
2. il y ait au moins 3,9 in entre le mur et l'arrière, ainsi qu'entre les parois latérales de la machine et des éventuelles parois, pour garantir une ventilation correcte ;
3. le plan supérieur de la machine (chauffe-tasses) doit être à une hauteur non inférieure à 59,1 in du sol ;
4. il y ait à proximité de la machine une boîte poubelle pour se débarrasser des marcs de café et un espace pour le moulin doseur ;
5. il y ait à proximité de la machine un tableau électrique pour connecter la machine électriquement, une vidange et un robinet pour le raccordement au circuit hydrique.

6 IDENTIFICATION DES COMPOSANTS



Légende

- 1) Machine à café
- 2) Livret d'instructions
- 3) Rapport d'essai
- 4) Tuyau d'évacuation L= 78,7 in
- 5) Grille porte-tasses
- 6) Collier de serrage
- 7) Porte-filtre double (2/3 pièces)
- 8) Porte-filtre simple
- 9) Filtre double (2/3 pièces)
- 10) Filtre simple
- 11) Filtre aveugle
- 12) Câble d'alimentation
- 13) Plaque signalétique
- 14) Grille espresso (seulement version tall)
- 15) Brosse de nettoyage
- 16) Nettoyeur de tuyau

6.1 PLAQUE SIGNALÉTIQUE

La plaque signalétique fournit les informations suivantes :

- A.** Modèle
- B.** Identification configuration de la machine
- C.** Puissance
- D.** Tension d'alimentation
- E.** Fréquence
- F.** Numéro d'identification
- G.** Pression maximale de la chaudière à vapeur 1
- H.** Pression maximale
- I.** Pression maximale de la chaudière à vapeur 2
- J.** Pression du réseau d'alimentation
- K.** Identification des certifications

RACCORDEMENTS

7	RACCORDEMENTS	139
7.1	RACCORDEMENT HYDRIQUE	139
7.2	CONSEILS POUR UNE UTILISATION CORRECTE DES POMPES ROTATIVES	140
7.3	RACCORDEMENT ÉLECTRIQUE	142
7.4	INSTRUCTIONS D'INSTALLATION	143



7 RACCORDEMENTS



IMPORTANT : les opérations de raccordement doivent être effectuées par un technicien spécialisé et autorisé.

7.1 RACCORDEMENT HYDRIQUE

Vidange

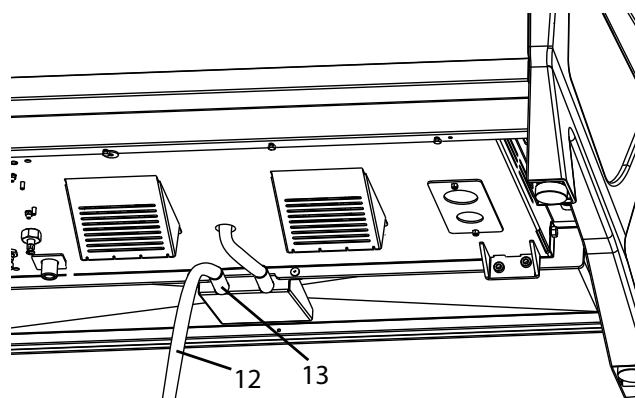
Il faut avoir à proximité de la machine une vidange d'eau (1) avec siphon.



Le siphon de vidange doit être positionné au moins 7,9 in sous le plan d'appui de la machine.

Raccorder le tuyau de vidange (12) au raccord (13) de la cuvette de vidange et le fixer avec les colliers de serrage prévus à cet effet.

Raccorder l'autre extrémité du tuyau à la pipette de vidange précédemment préparée (1).



L'équipement doit être installé avec une protection adéquate contre le refoulement pour se conformer aux codes fédéraux, provinciaux et locaux applicables

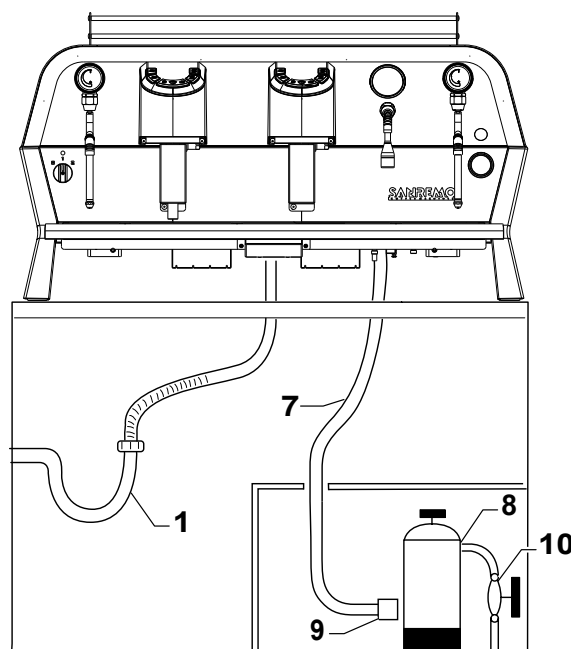


La machine doit être obligatoirement raccordée à un réseau de distribution de l'eau fournissant de l'eau potable convenablement adoucie avec une dureté maximale de 3,5/5° français (60/85 ppm). S'assurer que la pression de l'alimentation ne dépasse pas 6 bars (87 PSI). Si la pression est supérieure, installer un réducteur de pression.

Remplissage

Remplissage (pour la version avec pompe incorporée)

- Connecter le tuyau de remplissage (7) à un adoucisseur d'eau (8), en interposant le filtre de purification de l'eau (9) fourni.
- Installer un robinet diviseur (10) avant l'adoucisseur d'eau (8) pour séparer la machine du réseau de distribution de l'eau.



Remplissage (pour la version avec pompe externe)

Il est possible, sur demande, d'installer la pompe qui est normalement montée à l'intérieur, à l'extérieur de la machine en agissant de la façon suivante :

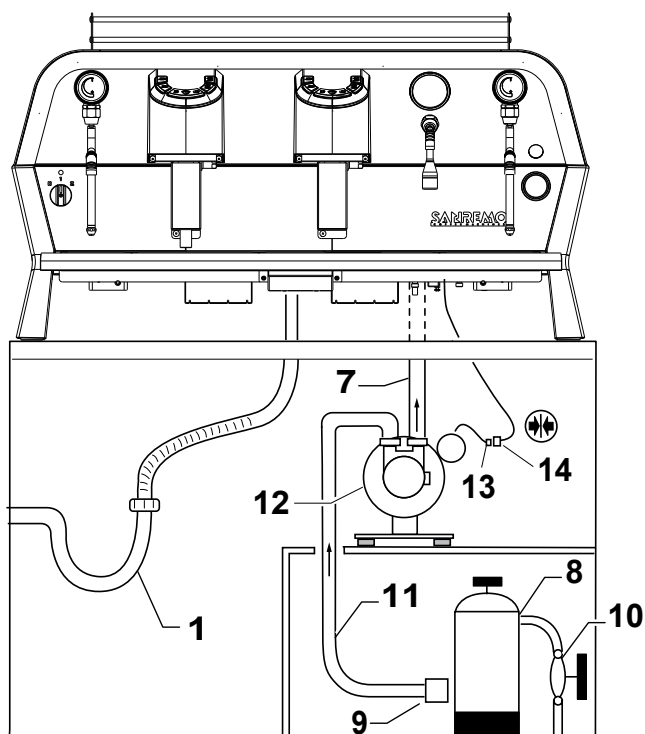


Positionner la pompe loin de sources de chaleur et à l'abri de jets d'eau. Le plan d'appui doit être horizontal et ses dimensions doivent être en fonction du poids de cette dernière.

- La pompe (12) doit être positionnée sous la machine à une distance non supérieure à 39,4 in, en laissant au moins 2 in entre celle-ci et les parois extérieures pour éviter la transmission de vibrations et permettre une recirculation d'air correcte.
- Brancher le tuyau (7) qui sort de la machine au raccord de refoulement de la pompe (12).
- Brancher le tuyau (11) fourni au raccord d'aspiration de la pompe et l'autre extrémité à un adoucisseur d'eau (8), en interposant le filtre de purification de l'eau (9).
- Installer un robinet (10) diviseur devant l'adoucisseur d'eau (8) pour séparer la machine du réseau de distribution de l'eau.
- Brancher le connecteur (14) de la pompe au connecteur (13) correspondant qui sort de la machine.



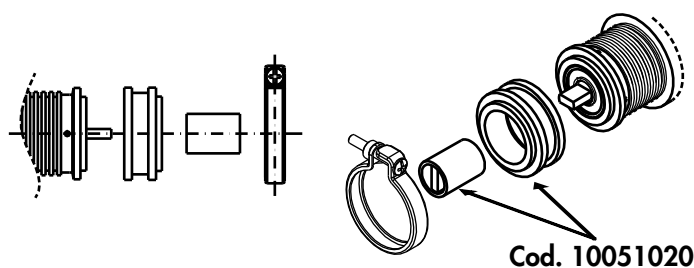
Pour l'installation, l'utilisation et l'entretien de l'adoucisseur d'eau, suivre les instructions sur le livret relatif.



7.2 CONSEILS POUR UNE UTILISATION CORRECTE DES POMPES ROTATIVES

1) Alignement correct entre pompe et moteur

Le groupe peut devenir bruyant en cas d'alignement incorrect. En effet, lorsque le couplage entre les deux composants est rigide, il peut se vérifier que le rotor de la pompe et celui du moteur soient axés. Le dommage plus fréquent qu'une persistance de cette condition pourrait causer est le blocage de la pompe. Pour éviter ce problème, une solution efficace est celle d'interposer un joint élastique entre la pompe avec fixation à collier et le moteur. À ce propos, il existe un kit sous le code 10051020, disponible comme accessoire.



2) Qualité de l'eau

Les tolérances de fabrication et les matériaux utilisés pour les pompes rotatives à palettes sont tels à imposer l'utilisation d'une eau aussi propre que possible et quoi qu'il en soit sans particules en suspension. Bien souvent le sable, les dépôts de calcaire des tuyaux de raccordement ou les résines de l'adoucisseur provoquent, à la suite de leur passage à travers la pompe, des rayures sur les parties en graphite et, en conséquence, des problèmes de pression et de débit.

Nous conseillons, là où il n'est pas possible de garantir une eau propre à l'intérieur d'un circuit fermé, donc non « susceptible d'être contaminé », d'interposer un filtre de 5 ou 10 microns entre l'adoucisseur et la pompe.

Par ailleurs, il est important de garder le filtre propre. Le colmatage du filtre avant la pompe cause en effet des cavitations et provoque la rupture de la pompe en très peu de temps (voir point 4).

En cas d'utilisation d'un réservoir d'alimentation, il est conseillé de positionner le tuyau d'aspiration à quelques centimètres du fond afin d'éviter d'aspirer des éventuels sédiments.

3) Fonctionnement à sec

Les pompes rotatives à palettes peuvent fonctionner à sec seulement pendant un temps très court (quelques secondes). Un fonctionnement prolongé sans eau provoque l'endommagement du joint en raison du fait qu'il atteint une température très élevée parce qu'il n'est plus refroidi convenablement, ce qui peut être à l'origine de fuites importantes, visibles à travers les 4 petits trous de drainage situés à proximité du collier. S'il existe la possibilité d'un manque d'eau du réseau de distribution, l'installation d'un pressostat de pression minimum avant la pompe est préconisée. En cas d'utilisation d'un réservoir d'alimentation, il est conseillé de le doter d'un contrôle de niveau approprié.

4) Cavitation

Cette situation apparaît lorsque le flux d'eau de l'alimentation n'est pas adapté aux caractéristiques de la pompe. Différents facteurs, tels que filtres bouchés, diamètre de la tuyauterie trop petit ou plusieurs points d'utilisation sur la même ligne, peuvent concourir à l'apparition de ce phénomène. L'ouverture de l'électrovanne de sécurité, si elle a été installée (placée généralement devant la pompe et les filtres), doit se déclencher avant le démarrage de la pompe, ceci pour éviter les cavitations. Pour la même raison, une fois que la pompe a terminé la distribution, la fermeture de l'électrovanne doit être retardée.

L'augmentation du bruit est l'indice révélateur le plus perceptible de ce phénomène. Si cette condition persiste, les conséquences sont comparables à celles provoquées par un fonctionnement à sec.

5) Retour d'eau chaude

Il se pourrait quelques fois que le clapet anti-retour, prévu sur le circuit hydraulique de la machine entre la pompe et la chaudière, fasse défaut. Dans ce cas, la pompe pourrait rester en contact avec l'eau chaude (90/100 °C - 194/212 °F) et subir des dommages à cause des différentes dilations des matériaux employés ; le blocage est la conséquence la plus fréquente.

6) Raccordements inadéquats

Les pompes peuvent avoir des raccords 3/8" NPT (coniques) ou GAZ (cylindriques). Il arrive parfois d'utiliser des manchons et des mamelons avec des filetages autres que ceux conseillés et, dans ce cas,

pour assurer l'étanchéité d'un raccord disposant d'un nombre de filets insuffisant, on doit utiliser de la pâte à joint ou du téflon. Si le raccord est forcé, il y a le risque de produire des copeaux, et si l'on utilise trop de pâte à joint, l'excédent pourrait s'insinuer dans la pompe, provoquant dans les deux cas des dommages.

7) Coups de bélier

L'ouverture de l'électrovanne, si elle est prévue après le refoulement de la pompe, doit se déclencher avant le démarrage de la pompe, afin d'éviter les coups de bélier. Pour la même raison, une fois que la pompe a terminé la distribution, la fermeture de l'électrovanne doit être retardée.

Un coup de bélier peut provoquer la rupture des supports en graphite et endommager le joint mécanique, entraînant ainsi le blocage de la pompe et des fuites de liquide.

8) Manipulation

Une chute accidentelle de la pompe peut causer des avaries et des déformations telles à compromettre les tolérances internes délicates. Pour cette même raison, il est nécessaire de faire très attention au moment de la fixation de la pompe dans l'étau pour le montage et le démontage des raccords.

9) Incrustations de calcaire

Dans le cas où l'eau pompée serait extrêmement calcaire et n'aurait pas été prétraitée avec des résines à échange ionique ou avec d'autres systèmes efficaces, il est possible que des dépôts calcaires se forment à l'intérieur de la pompe.

L'utilisation du by-pass comme régulateur de débit accélère ce phénomène; ce processus est d'autant plus rapide que la circulation d'eau est importante.

Les dépôts calcaires peuvent provoquer graduellement le durcissement de la pompe et, dans certains cas, le blocage ou une diminution de la pression due à une modulation incorrecte du by-pass.

Pour limiter ce problème, il est conseillé d'utiliser des pompes avec débits adaptés au circuit hydraulique de la machine. Dans certains cas, il pourrait être utile d'effectuer régulièrement un traitement de désincrustation à l'aide d'acides

spécifiques.

7.3 RACCORDEMENT ÉLECTRIQUE



S'assurer que tous les interrupteurs soient sur la position OFF avant de procéder au raccordement électrique de la machine.

Il est absolument obligatoire d'effectuer le raccordement au système de mise à la terre, il faut en outre veiller à ce que l'équipement soit conforme aux normes en vigueur dans le pays d'installation.

Vérifier que la tension de la machine (voir plaque signalétique) corresponde à la tension d'alimentation du réseau local.

Dans la configuration monophasée, le dispositif doit être branché à une ligne électrique avec une impédance maximale de $(0,142+j0,089)$ Ohm.

La machine est connectée à l'alimentation de réseau électrique à travers le câble d'alimentation (2) fourni, à un interrupteur différentiel (3) avec des mesures appropriées pour l'absorption de la machine (courant différentiel de 30 mA).

Connecter la machine en suivant les schémas électriques reportés sur l'image.

Liaison équipotentielle (si présente)

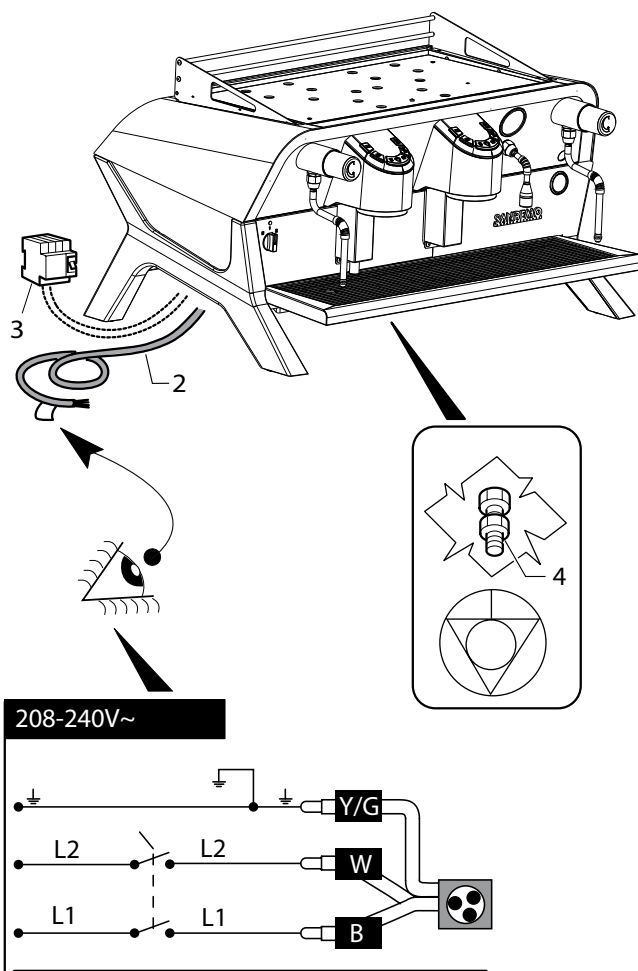
Cette liaison, comme requis par plusieurs standards, empêche des différences dans le potentiel électrique entre les mises à la terre des dispositifs installés dans le même lieu.

Les machines préparées pour ce raccordement présentent une borne spécifique (4) sur la partie inférieure de la machine.

- Connecter un câble équipotentiel externe avec des mesures appropriées conformément aux normes en vigueur à la borne correspondante (4).



Les machines sans borne de liaison équipotentielle ne doivent pas être installées dans des cuisines.

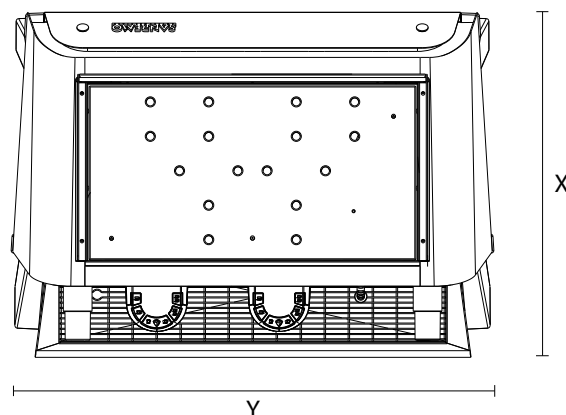
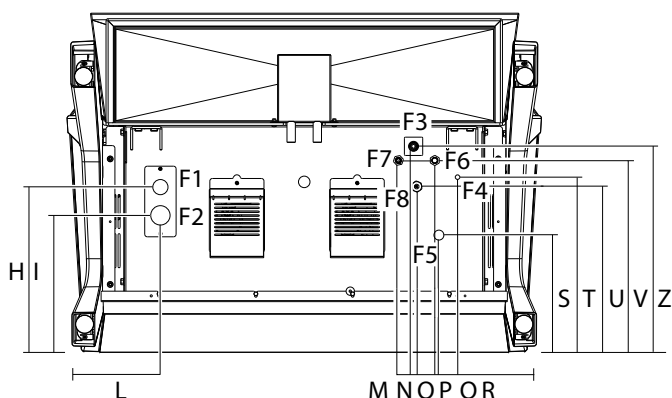
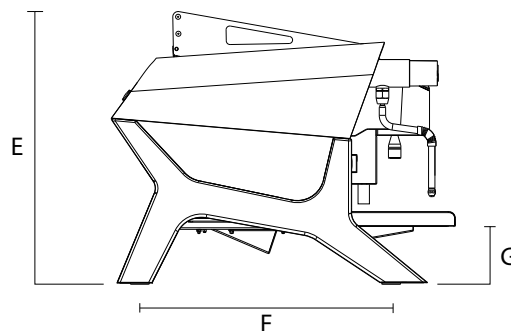
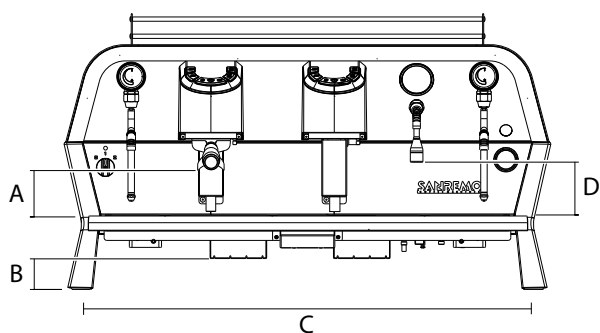


Y/G = Jaune/Vert

W = Blanc

B = Noir

7.4 INSTRUCTIONS D'INSTALLATION



	2 GROUPES (in)	2 GROUPES TALL (in)	3 GROUPES (in)	3 GROUPES TALL (in)
A	3,5	4,9	3,5	4,9
B	2,3	2,3	2,3	2,3
C	33,2	33,2	39,9	39,9
D	4	5,4	4	5,4
E	20,2	20,2	20,2	20,2
F	18,7	18,7	18,7	18,7
G	4,3	3	4,3	3
H	12,2	12,2	12,2	12,2
I	9,9	9,9	9,9	9,9
L	6,8	6,8	6,8	6,8
M	10,7	10,7	10,4	10,4
N	9,6	9,6	9,4	9,4
O	9,4	9,4	9	9
P	8	8	8	8
Q	7,7	7,7	7,7	7,7
R	6,5	6,5	6,5	6,5
S	8,8	8,8	8,8	8,8
T	13,7	13,7	13,7	13,7
U	12,5	12,5	12,5	12,5
V	14,4	14,4	14,4	14,4
Z	15,5	15,5	15,5	15,5
X	25,5	25,5	25,5	25,5
Y	35,7	35,7	42,4	42,4

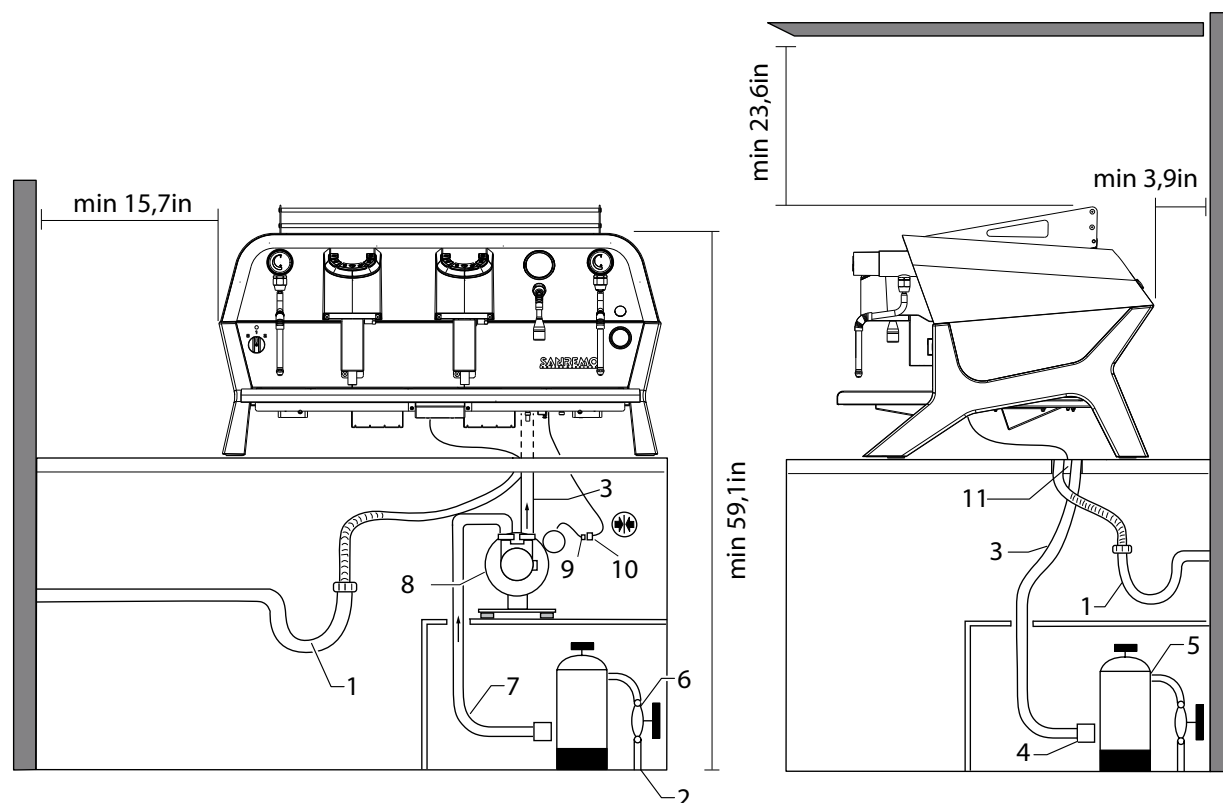
CAPACITÉ DE LA CHAUDIÈRE À VAPEUR :

2 GROUPES	3,14 US gal
2 GROUPES TALL	3,14 US gal
3 GROUPES	4,83 US gal
3 GROUPES TALL	4,83 US gal

QUALITÉ DE L'EAU :

	MINIMUM (ppm)	MAXIMUM (ppm)
Total des solides dissous (TDS)	90	150
Dureté totale	60	85
Fer total	0	0,2
Chlore totale	0	0,1
pH	6,5	8
Alcalinité	40	80
Chlorure total	0	30

F1	SORTIE CÂBLE D'ALIMENTATION UL
F2	SORTIE CÂBLE D'ALIMENTATION IEC
F3	ENTRÉE RACCORDEMENT HYDRIQUE
F4	RÉGLAGE PRESSION POMPE MOTEUR
F5	ENTRÉE CÂBLE POMPE EXTERNE
F6	RÉGLAGE EAU CHAUDE
F7	RÉGLAGE AIR AUTOSTEAMER OU SORTIE VAPEUR (EN OPTION)
F8	ROBINET SORTIE VAPEUR (EN OPTION)



LÉGENDE :

1	Tuyau d'évacuation
2	Alimentation en eau
3	Tuyau de raccordement machine à café
4	Filtre de purification de l'eau
5	Adoucisseur d'eau
6	Robinet 3/8"M
7	Tuyau pompe externe
8	Moteur pompe externe
9	Connecteur pompe externe 3/8"M
10	Connecteur pompe externe 3/8"M
11	Ouverture pour drainage et alimentation en eau et en électricité

CONDITIONS REQUISES POUR L'INSTALLATION :

Faire attention aux espaces minimums à respecter entre le mur et la machine pour permettre l'entretien de cette dernière et une bonne circulation de l'air.

Les travaux électriques ne doivent être effectués que par des techniciens ou des personnes formées.

Il est à souligner que l'eau à l'entrée doit être exempte de chlore.

Installer un disjoncteur magnétothermique approprié avec un courant différentiel de 30mA.

MISE EN SERVICE

8	MISE EN SERVICE.....	146
8.1	PREMIER DÉMARRAGE	146
9	RÉGLAGE DES FONCTIONS.....	148
9.1	RÉGLAGE DU MOULIN-DOSEUR.....	148
9.2	ESSAIS DE DISTRIBUTION DU CAFÉ.....	148
9.3	LIVRAISON FINALE.....	148

8 MISE EN SERVICE

8.1 PREMIER DÉMARRAGE



IMPORTANT : les opérations de premier démarrage doivent être effectuées par un technicien spécialisé et autorisé.

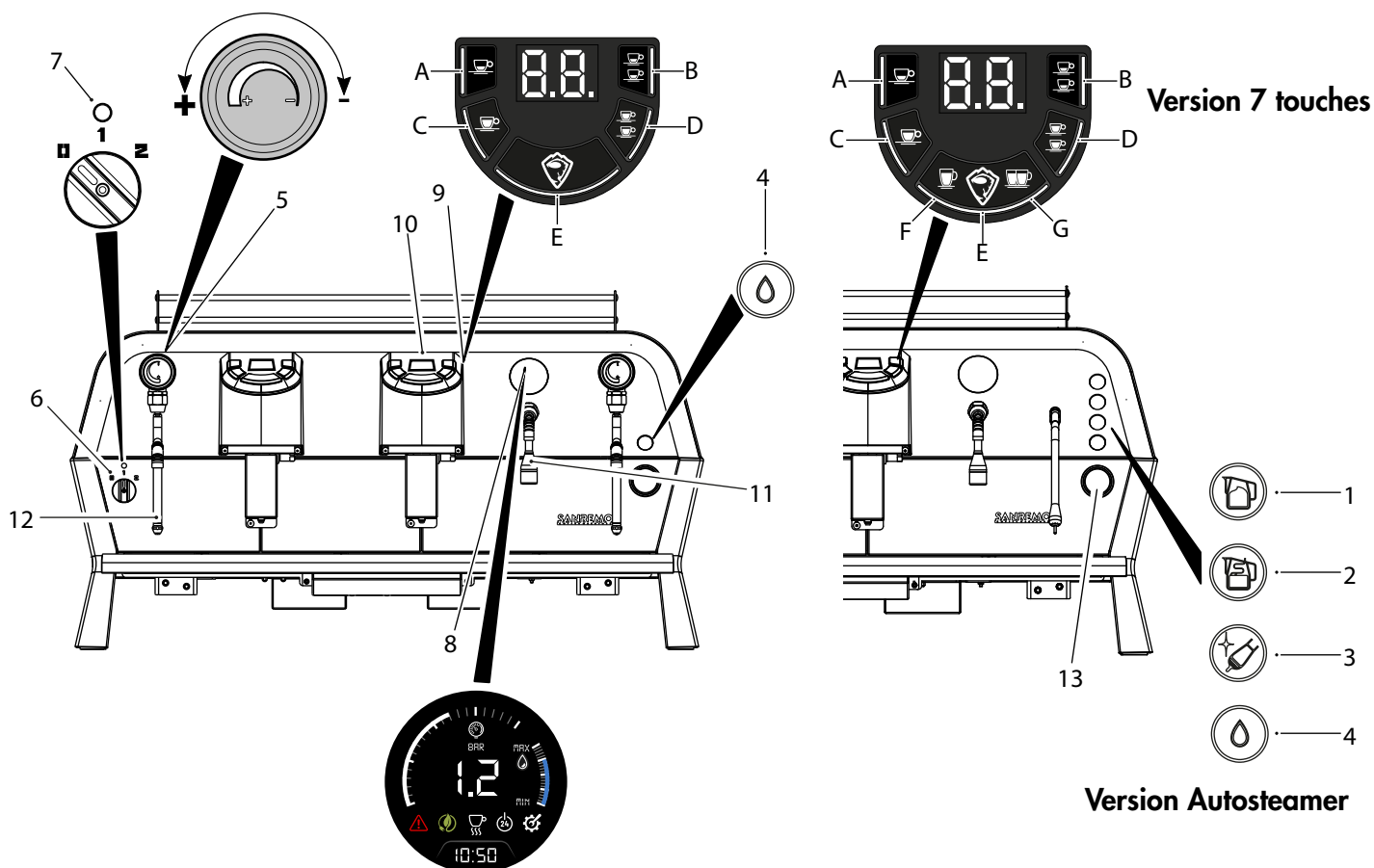
- Ouvrir le robinet de l'eau d'alimentation en amont de la machine.
- Ouvrir la vapeur en tournant le bouton (5) dans le sens inverse des aiguilles d'une montre.
- Alimenter la machine en plaçant l'interrupteur différentiel en amont de la machine dans la position ON.
- Tourner l'interrupteur général (6) en position « 1 », le témoin (7) s'allume en indiquant la présence de tension, l'écran s'allume et le remplissage automatique démarre.
- Quand la chaudière atteint le niveau de remplissage et la pompe s'éteint, tourner l'interrupteur général en position « 2 » et attendre le réchauffement de la machine.
- Attendre que du distributeur de vapeur sorte de l'air mélangé avec de l'eau et fermer le robinet de la vapeur qui avait été ouvert auparavant.
- Distribuer l'eau des groupes, sans avoir monté les porte-filtres, en appuyant sur une des touches (A), (B), (C), (D), (E) (F, G, uniquement pour version 7 touches) situées sur les claviers frontaux (9), en contrôlant que l'eau sorte correctement en déchargeant les bulles d'air éventuelles présentes dans le circuit. Pour arrêter la distribution, appuyer de nouveau sur la touche enfoncée.
- Attendre que la température configurée de la vapeur affichée à l'écran (8) soit atteinte, contrôler sur l'écran (8) que la pression dans la chaudière soit d'environ 1 - 1,2 bars (14,5 - 17,4 PSI) et sur le manomètre (13) que la pression d'alimentation de l'eau de réseau ne dépasse pas les 6 Bars (87 PSI).



Si le remplissage automatique n'est pas effectué dans les 120 secondes, la machine se bloque et les boutons au niveau des groupes s'allument en clignotant.

S'assurer que le robinet de l'eau d'alimentation soit ouvert.

Arrêter la machine et la rallumer pour compléter le remplissage d'eau de la chaudière.



- Mettre une carafe à manche prévue à cet effet au-dessous du bec (11) et distribuer de l'eau en appuyant sur le bouton (4), en contrôlant que la distribution soit correcte ; la distribution de l'eau s'arrête automatiquement à la fin du temps réglé.
- Positionner une carafe avec de l'eau et insérer le bec de la buse (12) à l'intérieur. Ouvrir le robinet de la vapeur en agissant sur le bouton (5) en le déplaçant dans le sens inverse des aiguilles d'une montre et essayer de chauffer l'eau. Répéter la même opération avec le bec de distribution sur l'autre côté de la machine.
- Monter les porte-filtres dans les groupes, placer des tasses au-dessous et effectuer plusieurs distributions, en activant à chaque fois les trois types d'extraction à l'aide des boutons correspondants sur le clavier (9). Contrôler que la distribution de l'eau dans les tasses soit correcte.



ATTENTION : nous vous recommandons les quantités de distribution maximales suivantes :

- 100 cc maximum de distribution continue de café pour chaque groupe.
- 500 cc maximum de distribution continue d'eau chaude.
- 30 secondes de distribution continue de vapeur.

- Contrôler que la pression de la pompe indiquée par le manomètre (13) soit d'environ 9 bars (130 PSI) pendant la distribution.



IMPORTANT : vérifier que la pression de la pompe pendant la distribution se trouve entre 8 et 9 bars (116 - 130 PSI). Si la pression n'est pas comprise dans cette plage, il faut la régler. Pour le réglage, contacter le service d'assistance technique.

- Éteindre la machine en tournant l'interrupteur (6) en position « 0 », les écrans s'éteignent. Fermer le robinet de l'eau d'alimentation par l'intermédiaire du robinet correspondant.

9 RÉGLAGE DES FONCTIONS



ATTENTION : certaines fonctions de la machine (températures, langue, etc.) doivent être réglées par un technicien autorisé et spécialisé, pendant le fonctionnement de la machine, avec le plus grand soin ; les opérations qui doivent être effectuées sont décrites dans le livret du technicien.

9.1 RÉGLAGE DU MOULIN-DOSEUR



Installer, régler et préparer le moulin-doseur comme décrit dans le livret d'instructions relatif.

9.2 ESSAIS DE DISTRIBUTION DU CAFÉ

Effectuer quelques essais de distribution du café en suivant les instructions dans le chapitre relatif et en contrôlant la qualité du café.

- Distribuer le café et vérifier que 20-30 cc de café soient distribués en 20-30 secondes.
- Si ce n'est pas le cas, le grain de café doit être réglé en agissant sur le moulin-doseur, une mouture plus fine fait augmenter le temps d'extraction, tandis qu'une mouture plus grosse le fait diminuer.
- S'assurer que le café distribué ait les caractéristiques suivantes :
 - crème d'une couleur noisette
 - consistance (bulles fines)
 - durée de la crème de plus de 1 minute



Ces indications ne sont pas contraignantes car la quantité correcte et donc la qualité du café dépend du type de café, du type d'eau et des conditions climatiques.

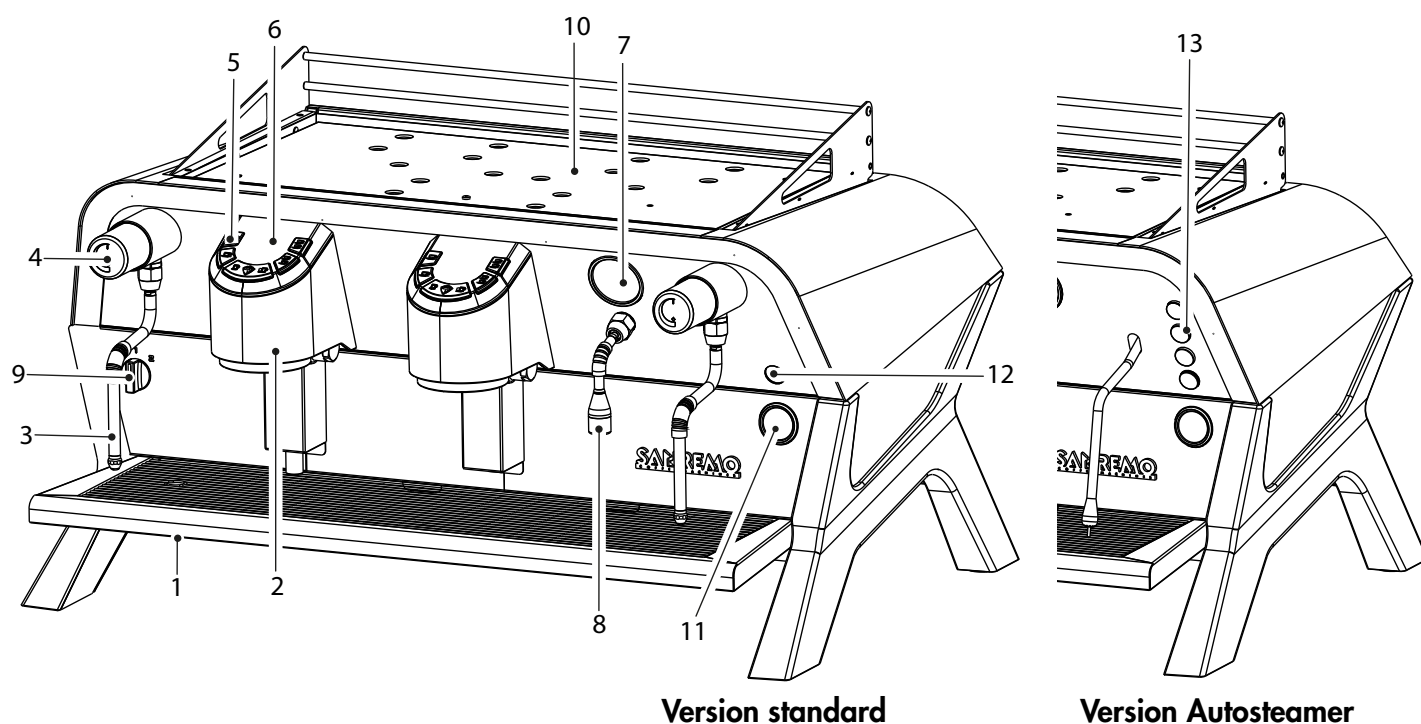
9.3 LIVRAISON FINALE

À la fin de l'installation de la machine, il faut :

- former le personnel qui utilisera la machine, en effectuant quelques essais de distribution du café, de préparation de cappuccino, etc.
- expliquer comment effectuer les opérations d'entretien et de nettoyage pour une maintenance correcte de la machine.
- à la fin de la procédure d'installation, remplir le rapport d'installation.

UTILISATION DE LA MACHINE

10	UTILISATION DE LA MACHINE.....	150
10.1	DESCRIPTION DES COMPOSANTS.....	150
10.2	DESCRIPTION DES COMMANDES	151
10.3	COMMANDES SPÉCIALES	153
10.4	PRÉPARATION DU CAFÉ	155
10.5	PRÉPARATION DU CAPPUCCINO	156
10.6	RÉCHAUFFEMENT D'UNE BOISSON	157
10.7	PRÉPARATION DU THÉ, DE LA CAMOMILLE, ET D'AUTRES BOISSONS CHAUDES.....	157

10 UTILISATION DE LA MACHINE**10.1 DESCRIPTION DES COMPOSANTS****LÉGENDE**

- | | |
|-----------------------------|-------------------------------------|
| 1. Cuvette | 7. Écran fonctions générales |
| 2. Groupe avec porte-filtre | 8. Buse à eau |
| 3. Buse à vapeur | 9. Interrupteur On/Off |
| 4. Bouton robinet vapeur | 10. Plan chauffe-tasses |
| 5. Clavier | 11. Manomètre |
| 6. Écran groupe | 12. Bouton à eau |
| | 13. Clavier Autosteamer (en option) |

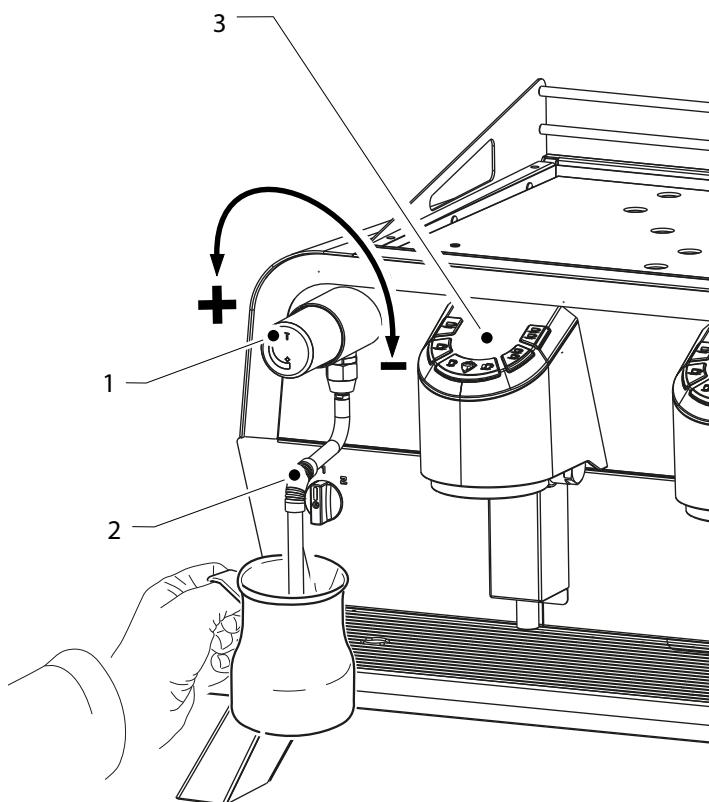
NOTE : Le groupe 1, utilisé pour la programmation et l'accès au menu utilisateur, est toujours le premier à gauche.

10.2 DESCRIPTION DES COMMANDES

Bouton robinet vapeur (1)

En le tournant dans le sens inverse des aiguilles d'une montre, on distribue de la vapeur de la buse vapeur (2).

Pour bloquer la distribution, tourner le bouton dans le sens des aiguilles d'une montre en fermant le robinet.

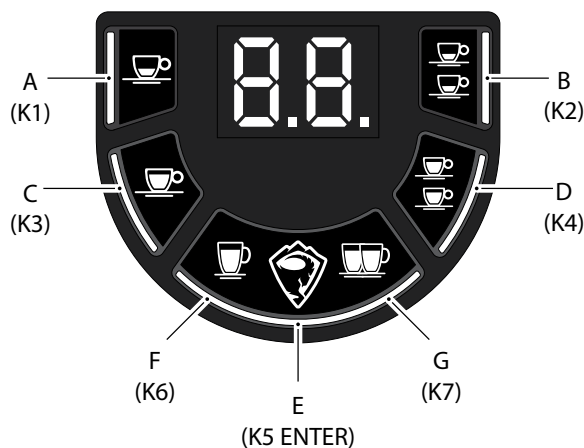


Clavier standard (3)



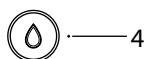
- A.** Bouton café expresso
- B.** Bouton double café expresso
- C.** Bouton café allongé
- D.** Bouton double café allongé
- E.** Bouton pour distribution continue / programmation des groupes / purge

Clavier 7 touches (en option) (3)



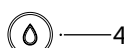
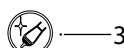
- A.** Bouton café expresso
- B.** Bouton double café expresso
- C.** Bouton café allongé
- D.** Bouton double café allongé
- E.** Bouton pour distribution continue / programmation des groupes / purge
- F.** Bouton tasse grande simple
- G.** Bouton tasse grande double

Clavier distribution eau chaude



4. Bouton d'eau chaude (2 doses programmables)

Clavier Autosteamer (en option)



1. Bouton de moussage du lait
2. Bouton de chauffage des boissons
3. Bouton de lavage de la buse Autosteamer
4. Bouton de distribution d'eau chaude (2 doses programmables)

La fonction Autosteamer permet, au moyen d'une buse à vapeur spéciale équipée d'une sonde de température de boisson, de chauffer et de faire mousser automatiquement le lait à la température réglée (bouton 1) grâce à l'utilisation combinée de l'air et de la vapeur. En outre, grâce au bouton de chauffage (bouton 2), il est possible de chauffer n'importe quelle boisson à la température réglée en utilisant uniquement de la vapeur.



Bouton distribution café expresso (A)

Positionner une tasse sous le porte-filtre simple puis appuyer sur le bouton pour faire commencer la distribution du café.

La touche sélectionnée reste allumée tout au long de la distribution, tandis que les autres s'éteignent.

Le chronomètre à secondes au centre du clavier commence de la valeur 00 et augmente pendant l'extraction.

À la fin de l'extraction, le temps d'extraction reste affiché jusqu'au cycle suivant.



Bouton distribution double café expresso (B)

Positionner deux tasses sous le porte-filtre double puis appuyer sur le bouton pour faire commencer la distribution des deux cafés.

La touche sélectionnée reste allumée tout au long de la distribution, tandis que les autres s'éteignent.

Le chronomètre à secondes au centre du clavier commence de la valeur 00 et augmente pendant l'extraction.

À la fin de l'extraction, le temps d'extraction reste affiché jusqu'au cycle suivant.



Bouton distribution café allongé (C)

Positionner une tasse sous le porte-filtre simple puis appuyer sur le bouton pour faire commencer la distribution du café allongé.

La touche sélectionnée reste allumée tout au long de la distribution, tandis que les autres s'éteignent.

Le chronomètre à secondes au centre du clavier commence de la valeur 00 et augmente pendant l'extraction.

À la fin de l'extraction, le temps d'extraction reste affiché jusqu'au cycle suivant.



Bouton distribution double café allongé (D)

Positionner deux tasses sous le porte-filtre double puis appuyer sur le bouton pour faire commencer la distribution des deux cafés.

La touche sélectionnée reste allumée tout au long de la distribution, tandis que les autres s'éteignent.

Le chronomètre à secondes au centre du clavier commence de la valeur 00 et augmente pendant l'extraction.

À la fin de l'extraction, le temps d'extraction reste affiché jusqu'au cycle suivant.



Bouton de distribution continue (E) (ENTER)

Positionner une tasse de taille appropriée sous le porte-filtre pour la quantité de café souhaitée.

Appuyer deux fois sur le bouton (E) pour commencer la distribution du café (deux fois si Purge est activé) et appuyer à nouveau pour la désactiver. Après 120 secondes, la distribution s'arrête automatiquement.

Purge

Si activé dans le menu utilisateur, retirer le porte-filtre du groupe et appuyer une fois sur le bouton (E).

Le bouton s'allume fixe et la quantité d'eau prédéfinie est distribuée pendant deux secondes, afin de nettoyer la douche du groupe.



Bouton tasse grande simple (F)

Positionner une tasse sous le porte-filtre simple puis appuyer sur le bouton pour faire commencer la distribution du café.

La touche sélectionnée reste allumée tout au long de la distribution, tandis que les autres s'éteignent.

À la fin de la distribution, toutes les touches du clavier s'allument.



Bouton tasse grande double (G)

Positionner deux tasses sous le porte-filtre double, ensuite appuyer sur le bouton pour démarrer la distribution du café.

La touche sélectionnée reste allumée tout au long de la distribution, tandis que les autres s'éteignent.

À la fin de la distribution, toutes les touches du clavier s'allument.



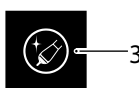
Bouton de moussage du lait (1)

Placer le pot à lait sous la buse Autosteamer, appuyer sur le bouton (1) du clavier dédié (Autosteamer) pour faire mousser le lait et attendre la fin du procédé.



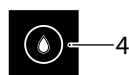
Bouton de chauffage des boissons (2)

Placer le pot à lait sous la buse Autosteamer, ensuite appuyer sur le bouton (2) du clavier dédié (Autosteamer) pour le lait chaud et attendre la fin du procédé.



Bouton de lavage de la buse Autosteamer (3)

Pour activer le cycle de lavage de la buse à vapeur/mousseur à lait, il suffit d'appuyer sur le bouton (3) du clavier dédié (Autosteamer). La LED (3) correspondante au clavier reste allumée, les autres LED s'éteignent.



Bouton distribution eau chaude (4)

Positionner une tasse sous la douche à eau, puis appuyer sur le bouton (4) pour faire commencer la distribution « dose 1 » d'eau chaude. Appuyer sur le bouton (4) deux fois pour commencer la distribution « dose 2 ».

10.3 COMMANDES SPÉCIALES

Pré-infusion

La machine peut être configurée de manière à ce que la distribution des doses de café à contrôle volumétrique soit précédée d'une pré-infusion. En appuyant sur l'un des boutons des doses à contrôle volumétrique, le cycle de distribution « normal » est précédé d'un court jet d'eau temporisé qui sert à humidifier la pastille de café avant que le cycle de distribution proprement dit ne démarre.

Fonction CHRONO

La fonction CHRONO permet d'afficher à l'écran de chaque clavier le temps (exprimé en secondes) correspondant à la distribution des doses de café (la dose reste cependant à contrôle volumétrique).



Lavage groupes de distribution

Il existe deux modes différents qui activent le programme de lavage des groupes :

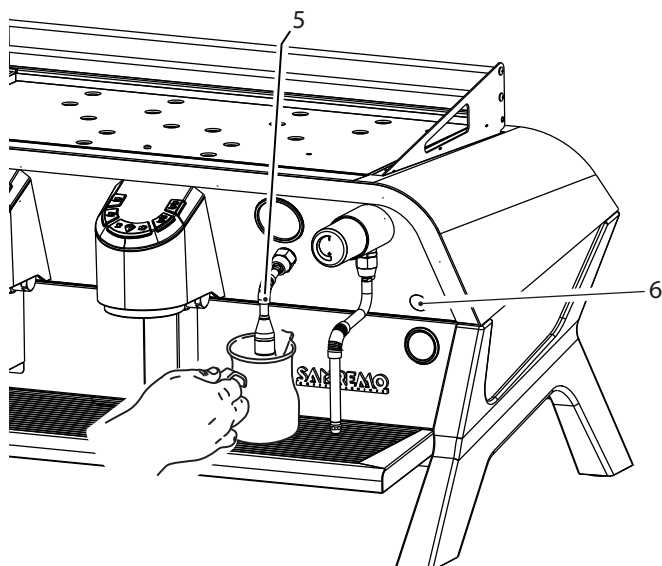
- **LAVAGE MANUEL**
- **LAVAGE AUTOMATIQUE (voir page 48)**

Pour activer le LAVAGE MANUEL pour chaque groupe de distribution, il suffit d'appuyer sur le bouton de distribution en continu (E) puis sur le bouton (A), en gardant toujours l'appui sur le bouton (E) du groupe sur lequel on souhaite effectuer le lavage. Les LED (E) et (A) se référant au groupe concerné se mettent à clignoter pour confirmer que la phase de lavage est en cours (l'écran du groupe

affiche le texte CL pendant tout le procédé).

Pour activer le LAVAGE AUTOMATIQUE de tous les groupes de distribution, voir PROGRAMMATION, menu technique utilisateur, LAVAGE GROUPES.

Buse distribution eau chaude (5)



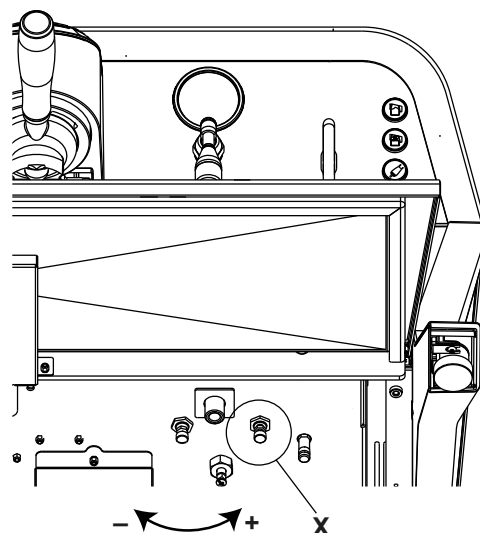
Positionner sous la buse (5) une tasse de taille appropriée pour la quantité d'eau souhaitée. Appuyer sur le bouton (6) pour commencer la distribution d'eau chaude depuis le bec diffuseur.

La distribution s'arrête automatiquement à la fin du temps configuré. Il est possible d'arrêter la distribution en appuyant sur le bouton (6).

Il existe deux doses programmables : appuyer sur le bouton (6) une fois pour la dose 1 et deux fois pour la dose 2. L'écran affiche un compte à rebours indiquant combien de secondes il reste avant la fin de la distribution.

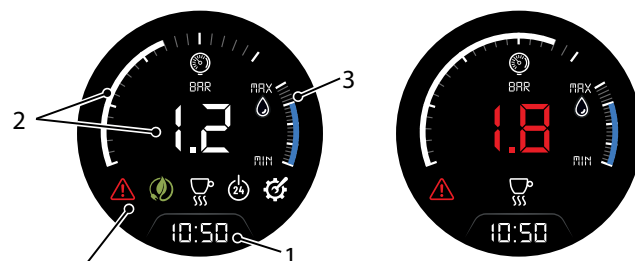
Réglage de la température de l'eau chaude

La machine est équipée de la fonction « eau mélangée » qui permet de régler la température de l'eau en utilisant le régulateur (X) situé sous la machine. Tourner dans le sens inverse des aiguilles d'une montre (+) pour augmenter la température de l'eau de sortie.



Écran

Pendant le fonctionnement normal de la machine, la page-écran suivante est affichée :



4, 5, 6, 7, 8

Les informations suivantes sont montrées sur l'écran :

- 1) heure actuelle ;
- 2) température/pression de la chaudière des services (en cas d'alarme, l'affichage est en rouge) ;
- 3) niveau de l'eau dans la chaudière ;
- 4) icône alarme ;
- 5) icône Eco-mode activé ;
- 6) icône chauffe-tasses activé ;
- 7) icône programmeur horaire activé ;
- 8) icône service.

10.4 PRÉPARATION DU CAFÉ

Règles générales pour la préparation d'un bon café.

La tasse doit être chaude et donc elle devra être prise du chauffe-tasses ou, si la tasse est froide, la réchauffer avec de l'eau.

Si la tasse est froide, l'abaissement soudain de température changera le goût de l'expresso.

Ne jamais remplir le porte-filtre sans effectuer immédiatement la distribution, la poudre de café moulu « brûlerait » dans le groupe et l'expresso obtenu résulterait très amer.

Nous recommandons de moulin seulement la quantité de café dont vous avez besoin pour l'utilisation immédiate ; le café moulu laissé pendant longtemps perd son arôme et les substances grasses contenues deviennent acides.

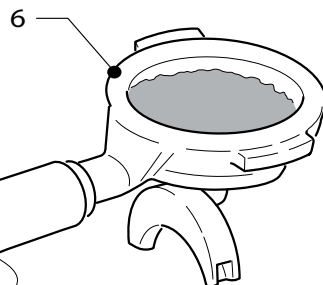
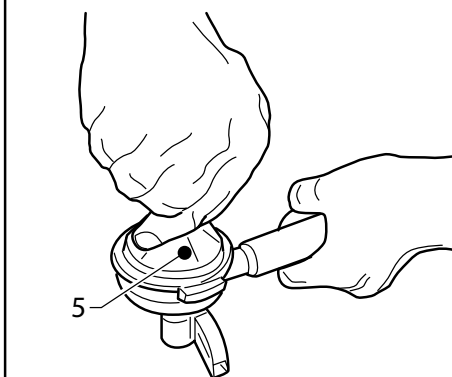
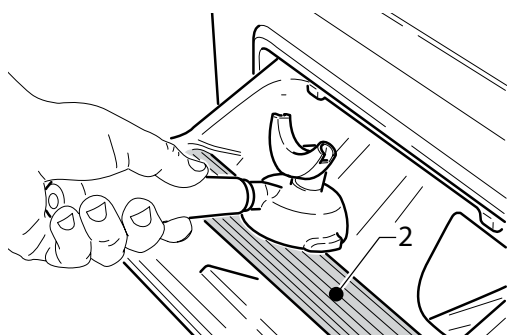
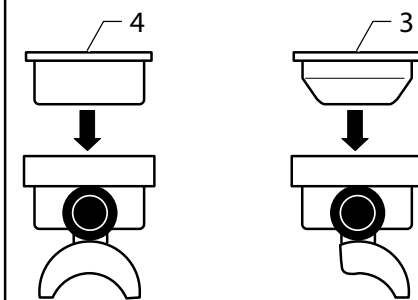
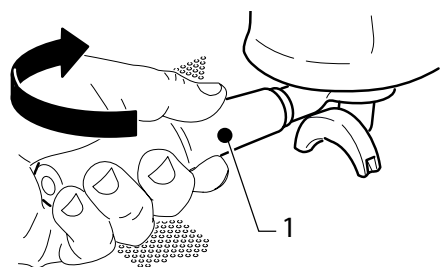
Distribution du café

Enlever le porte-filtre (1) du groupe de distribution en le tournant dans la direction indiquée par la flèche, le retourner et le battre sur le tiroir égouttoir (2) pour le vider du marc de café.

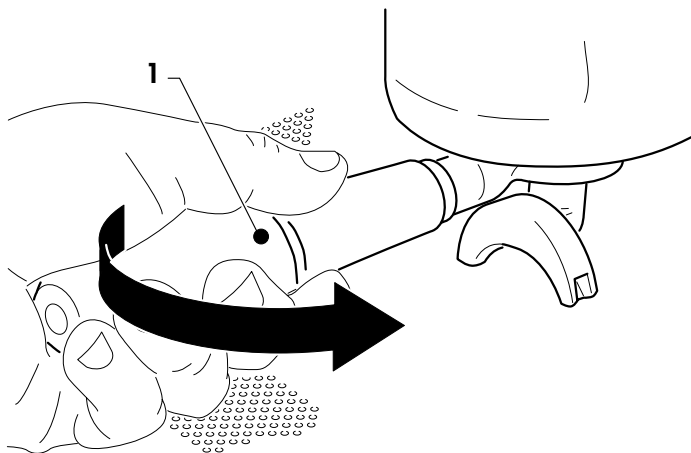


ATTENTION : ne jamais taper le porte-filtre contre une surface non protégée car cela pourrait endommager le filtre, et en compromettre l'étanchéité.

- Utiliser le filtre pour un café (3) ou deux cafés (4) comme requis.
- Placer la bonne quantité de café dans le porte-filtre.
- Tasser le café avec le presseur (5).
- Nettoyer le bord (6) du porte-filtre ; laisser du café moulu sur le bord du filtre peut détériorer le joint d'étanchéité en causant la fuite de l'eau et du marc de café.



- Accrocher le porte-filtre (1) sur le groupe en le tournant dans la direction indiquée par la flèche jusqu'en butée.



- Positionner la tasse ou les tasses de café sous le porte-filtre.
- Choisir le type de café souhaité. Le bouton enfoncé s'allume. À la fin de la distribution, laisser le porte-filtre monté sur le groupe jusqu'à la prochaine distribution.

10.5 PRÉPARATION DU CAPPUCCINO

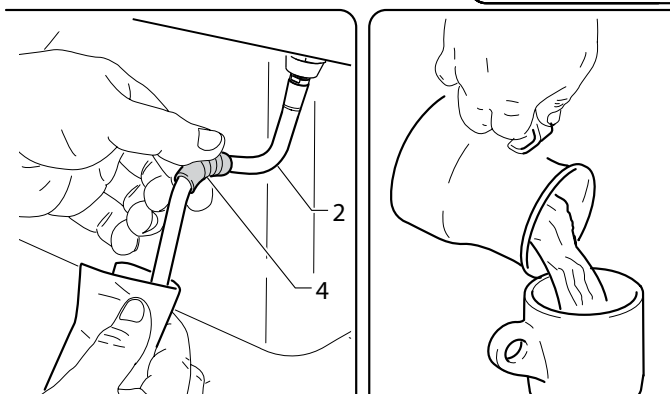
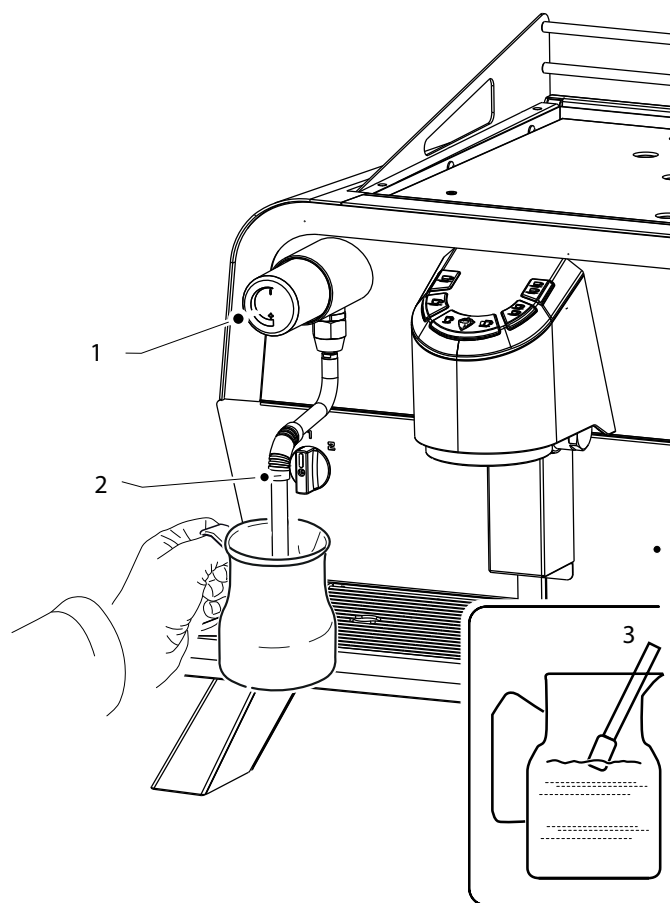
Pour préparer un cappuccino de manière professionnelle « mousser » du lait frais ($\pm 140 - 149$ °F max) jusqu'à obtenir une mousse qui sera ensuite versée sur un café expresso préparé précédemment.



ATTENTION : faire attention car la buse (2) est chaude et peut causer des brûlures. Pour la déplacer, la prendre exclusivement dans la zone (4) revêtue en caoutchouc.

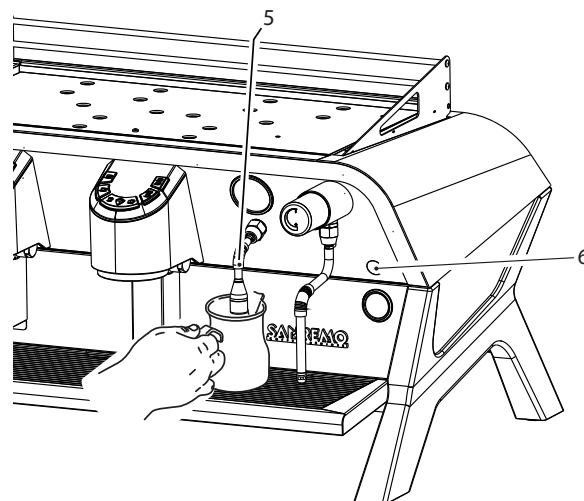
- Sortir la buse (2) de la grille et à l'aide du bouton (1) distribuer de la vapeur pendant une/deux secondes pour vider l'eau contenue dans la buse à vapeur.
- Verser le lait dans le pot prévu à cet effet. De préférence, utiliser un pot en acier inox avec bec conique. La quantité de lait pour un cappuccino est d'environ 125 cc (1/8 de litre).
- Tenir le bec de la buse de la vapeur (3) à peine au-dessous de la surface du lait, tenir le pot incliné, la buse ne doit être ni au centre du pot, ni appuyée sur le bord.
- Ouvrir la vapeur en agissant sur le bouton (1), à l'intérieur du pot on aura un tourbillon qui formera

- une crème compacte.
- Arrêter la distribution de la vapeur en positionnant le bouton (1) au centre lorsqu'on atteint la température maximale de 149 °F.
- Enlever la buse à vapeur du pot, taper doucement le fond du pot pour stabiliser les bulles d'air, verser ensuite avec un mouvement ondulatoire la mousse sur l'expresso préparé précédemment.
- Après chaque préparation de boisson, distribuer de la vapeur pendant quelques secondes afin d'en éliminer tout résidu. Nettoyer, avant et après chaque distribution, avec un chiffon exclusivement dédié à ce service et à remplacer périodiquement, pour éviter la formation d'incrustations difficiles à enlever.



10.6 RÉCHAUFFEMENT D'UNE BOISSON

- Placer la buse (2) sur la grille et à l'aide du bouton (1) distribuer de la vapeur pendant une/ deux secondes pour vider l'eau contenue dans la buse vapeur.
- Verser la boisson dans le pot prévu à cet effet. De préférence, utiliser un pot en acier inox avec bec conique.
- Insérer la buse à vapeur (2) dans le pot et actionner le bouton (1) pour ouvrir la distribution de la vapeur.
- Dès que la boisson est chaude, arrêter la distribution de la vapeur.
- Après chaque préparation de boisson, distribuer de la vapeur pendant quelques secondes afin d'en éliminer tout résidu. Nettoyer, avant et après chaque distribution, avec un chiffon exclusivement dédié à ce service et à remplacer périodiquement, pour éviter la formation d'incrustations difficiles à enlever.



ATTENTION : faire attention car la buse (2) est chaude et peut causer des brûlures. Pour la déplacer, la prendre exclusivement dans la zone (4) revêtue en caoutchouc.

10.7 PRÉPARATION DU THÉ, DE LA CAMOMILLE, ET D'AUTRES BOISSONS CHAUDES

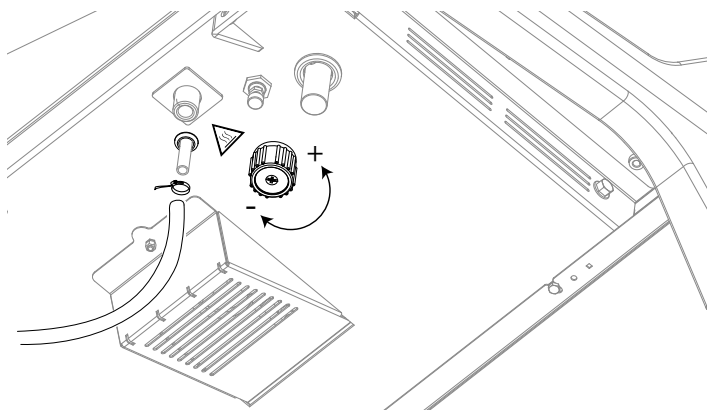
- Positionner le pot prévu à cet effet sous la buse de distribution de l'eau (5).
- Appuyer sur le bouton (6) pour distribuer l'eau chaude, la distribution s'arrête à la fin du temps fixé.
- Ajouter le produit souhaité.

10.8 SORTIE DE VAPEUR SUPPLÉMENTAIRE (EN OPTION)

Il est possible d'utiliser la sortie de vapeur supplémentaire en connectant un tube en silicone à bien serrer en utilisant un collier en acier à visser. Tourner dans le sens des aiguilles d'une montre (+) pour permettre la sortie de vapeur, tourner dans le sens inverse (-) pour l'arrêter.



Attention : surface chaude. Ne jamais ouvrir le robinet si le tube en silicone n'est pas connecté à la sortie de vapeur. Cette opération ne doit être effectuée que par un technicien spécialisé.



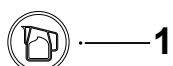
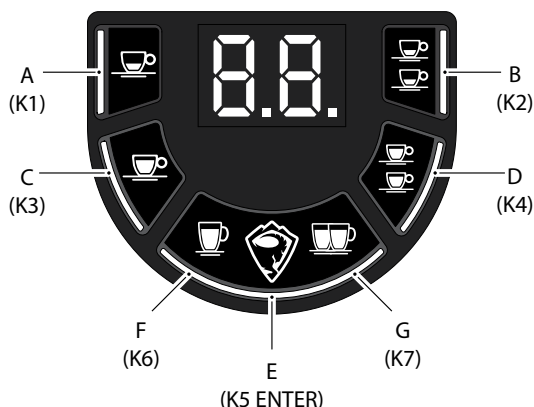
PROGRAMMATION

11	PROGRAMMATION	159
11.1	PROGRAMMATION ET LECTURES	159
12	SIGNALISATION ALARME	167

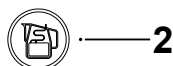
11 PROGRAMMATION

La machine peut être programmée via les claviers des groupes et de l'Autosteamer.

11.1 PROGRAMMATION ET LECTURES



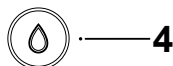
1



2



3



4

Il est possible de programmer la quantité de café distribuée pour tous les boutons.



IMPORTANT : en programmant le clavier de gauche (groupe numéro 1), les doses programmées seront automatiquement transférées aux autres claviers.

Il est possible de personnaliser les doses de café pour chaque groupe de distribution.

PROGRAMMATION DES DOSES DE CAFÉ

Démarrer la machine comme décrit dans le paragraphe correspondant.

Pour procéder à la programmation des doses, agir de la façon suivante :

- Monter le porte-filtre avec le café sur le groupe de gauche comme indiqué dans le paragraphe « UTILISATION ».
- Positionner une ou deux tasses sous le groupe en fonction du type de programmation à effectuer.

- Appuyer sur la touche (E) du groupe 1 pendant plus de 10 secondes et vérifier que la LED passe de fixe à clignotante. La page-écran suivante sera affichée :



- Dans les 30 secondes, appuyer sur le bouton de distribution que l'on souhaite programmer, par exemple le bouton (A) (café expresso simple). Pendant la distribution, les LED des boutons (A) et (E) restent allumées, les autres boutons s'éteignent. Le deuxième chronomètre à secondes affiche l'écoulement du temps.
- Quand le café dans la tasse a atteint la quantité souhaitée, appuyer sur un bouton quelconque du clavier concerné pour arrêter la distribution ; la quantité de café distribuée pour ce bouton-là est mémorisée, le bouton (A) s'éteint tandis que les autres boutons encore à mémoriser s'allument.
- Si cela est nécessaire, répéter les opérations susmentionnées pour programmer les autres boutons ; après 30 secondes d'inutilisation des boutons, la machine quitte le mode de programmation.

PROGRAMMATION DOSE EN CONTINU

Il est également possible de programmer la distribution de la dose en continu sur les boutons (E). La procédure de programmation est la même que pour les 4/6 autres doses de chaque clavier décrites ci-dessus. Pendant la programmation, seule la LED du bouton de distribution en continu en cours de programmation reste allumée.

Si Purge est activé, il faut appuyer deux fois sur le bouton (E) pour lancer la programmation.

PROGRAMMATION DOSES D'EAU CHAUDE

- Il est possible de mémoriser deux doses d'eau chaude différentes. Pour mémoriser la dose « 1 » appuyer sur la touche (E) pendant plus de 10 secondes et vérifier que la LED passe de fixe à clignotante. Dans les 30 secondes, appuyer une fois sur le bouton (4) associé à la dose de thé pour mémoriser la dose « 1 ». La page-écran suivante sera affichée :



- Lorsque la quantité souhaitée est atteinte, appuyer à nouveau sur le bouton (4) pour arrêter la distribution.
- Si l'on souhaite programmer la dose « 2 », suivre la même procédure en appuyant deux fois rapidement sur le bouton (4).



- La machine sort automatiquement du mode de programmation après 30 secondes d'inutilisation des boutons.

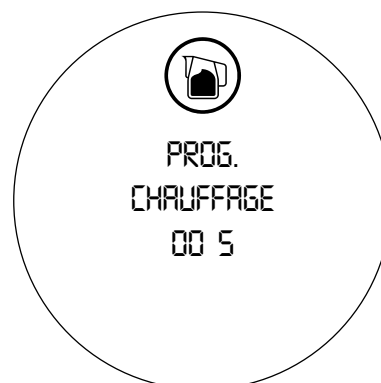
PROGRAMMATION POUR SIMULATION DE LA TEMPÉRATURE DE LA VAPEUR AUTOSTEAMER

- Le moussage du lait (bouton 1) et le chauffage des boissons (bouton 2) peuvent être programmés indépendamment pour respectivement faire mousser le lait ou chauffer une boisson à deux températures différentes (toutes deux réglées par défaut à 60 °C / 140 °F).

- Avant de commencer à programmer l'un des deux boutons, préparer en dessous de la buse le pot de lait ou de boisson que l'on souhaite chauffer.
- Insérer un thermomètre dans le pot si l'on souhaite contrôler la température du produit.
- Pour programmer la température de fonctionnement de la fonction de moussage du lait, entrez dans le mode en appuyant sur le bouton (1) pendant plus de 5 secondes. La page-écran suivante sera affichée avec le compteur de secondes indiquant l'écoulement du temps :

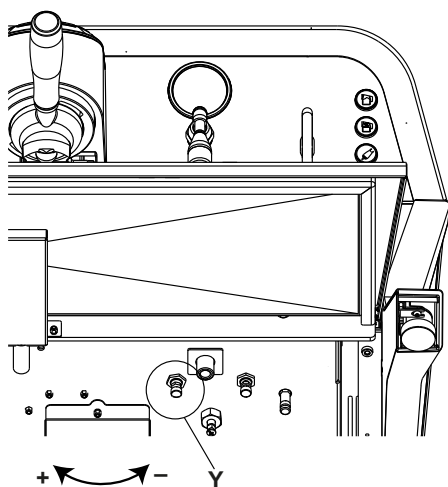


- Il est également possible d'appuyer sur le bouton (2) pendant plus de 5 secondes pour le chauffage uniquement. La page-écran suivante sera affichée avec le compteur de secondes indiquant l'écoulement du temps :



- Une fois la température souhaitée atteinte, appuyer à nouveau sur le bouton utilisé précédemment. La nouvelle valeur de température est mémorisée.
- La machine sort automatiquement du mode de programmation de la température après 10 secondes d'inutilisation des boutons.

Il est possible de régler la quantité d'air introduite dans l'Autosteamer pour faire varier le degré de moussage du lait en agissant sur le régulateur « Y » placé en dessous de la machine.



Tourner dans le sens des aiguilles d'une montre (+) pour augmenter la quantité d'air en émulsion.

ALLUMAGE/ARRÊT DE LA MACHINE

Pour arrêter la machine, en utilisant le groupe 1, appuyer sur le bouton (E) puis sur le bouton (C) tout en gardant le bouton (E) appuyé. Tous les claviers et l'écran s'éteignent ; pour rallumer la machine, appuyer sur le bouton (C) du groupe 1.

MENU TECHNIQUE UTILISATEUR

Pour accéder au menu technique utilisateur, en condition ON, appuyer sur le bouton (E) du groupe 1 pendant au moins 15 secondes : une fois que l'écran affiche le texte « PROGRAMMATION DOSES », continuer à garder le bouton (E) appuyé. Les éléments suivants sont affichés dans l'ordre :

- 1) Chauffe-tasses.
- 2) Barre LED.
- 3) Mode ECO.
- 4) Programmation des doses de café.
- 5) Activation pré-infusion
- 6) Réglage du temps ON/OFF de pré-infusion de doses simples.
- 7) Réglage du temps ON/OFF de pré-infusion de doses doubles.
- 8) Activation signalisation « Flush » utilisateur
- 9) Réglage horloge et allumages programmés.
- 10) Compteurs globaux.

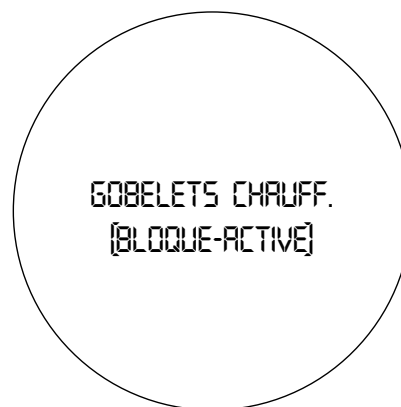
- 11) Lavage automatique des groupes.
- 12) Quitter le menu

Utiliser les boutons (C) et (D) pour faire défiler en avant/en arrière les éléments du menu utilisateur, pour accéder à l'élément concerné appuyer sur le bouton (E).

Une fois dans le menu, appuyer sur (A)/(B) pour diminuer/augmenter la valeur si un champ numérique doit être modifié ou pour activer/désactiver une fonction. Après avoir effectué la sélection appuyer sur (E) pour revenir au menu technique utilisateur ou sur (C) ou (D) pour confirmer et passer à la fonction précédente ou suivante. En cas d'une pause dépassant 60 secondes sur un paramètre sélectionné sans actions, on quittera automatiquement le menu. Sur chaque élément du menu, seuls les boutons réellement utiles et nécessaires pour modifier les valeurs du paramètre examiné seront allumés.

ACTIVATION LED ET CHAUFFE-TASSES

Il est possible d'activer les LED et le chauffe-tasses. Accéder au menu technique et au menu chauffe-tasses en appuyant sur le bouton (E). La page-écran suivante sera affichée :



Si l'on souhaite modifier le paramètre (affichage activé ou désactivé), on doit agir sur les boutons (A) (<) ou (B) (>). Après l'activation, il est possible de régler la valeur de la puissance exprimée en % d'un minimum de 20 % à un maximum de 100 % en appuyant sur les boutons (A) (-) ou (B) (+). Il est possible d'activer/désactiver le chauffe-tasses sans accéder au menu utilisateur en utilisant le groupe 2 en appuyant sur le bouton (E) et ensuite sur le bouton (B) tout en gardant le bouton (E) appuyé. L'activation de ce mode est indiquée par l'allumage de l'icône sur le TFT (chauffe-tasses). Après avoir réglé le dernier paramètre, en appuyant sur le bouton (D) on passe au réglage de l'allumage LED.

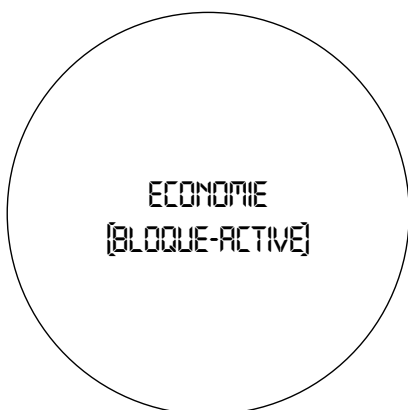
Appuyer sur le bouton (E) pour accéder au menu. La page-écran suivante sera affichée :



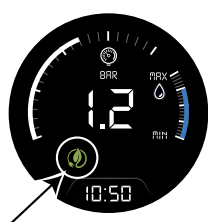
Si l'on souhaite modifier le paramètre (affichage activé ou désactivé), on doit agir sur les boutons (A) (<) ou (B) (>), confirmer avec (E). Il est possible d'activer/désactiver l'allumage LED sans accéder au menu utilisateur en utilisant le groupe 2 en appuyant sur le bouton (E) et ensuite sur le bouton (D) tout en gardant le bouton (E) appuyé.

ACTIVATION DU MODE ECO

Après les réglages concernant la barre LED, en appuyant à nouveau sur le bouton (D) on passe à l'activation du « MODE ECO ». Pour accéder à l'élément, appuyer sur le bouton (E).



Si l'on souhaite modifier le paramètre (affichage activé ou désactivé), on doit agir sur les boutons (A) (<) ou (B) (>), confirmer avec (E). L'activation de ce mode est indiquée par l'allumage de l'icône sur le TFT (feuille verte).



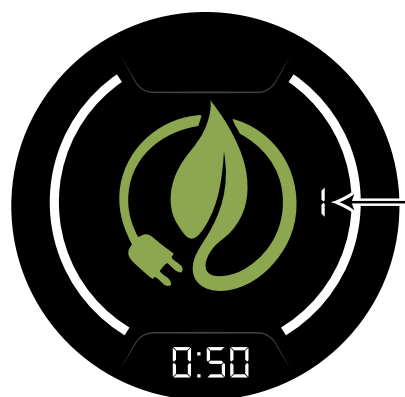
La structure des phases de fonctionnement est indiquée ci-après :

Phase 1 : après 1h30 de non distribution de café ou d'eau chaude, la machine passe en mode économie avec une température de chaudière à vapeur fixée à 110 °C (230 °F).

Phase 2 : après 3 heures supplémentaires, la température de la chaudière est amenée à 100 °C (212 °F).

Phase 3 : après une heure supplémentaire, le chauffage est amené à 60 °C (140 °F) en alternant les phases de chauffage jusqu'à 80 °C (176 °F). Dans cette phase, le barre LED et le chauffe-tasses sont éteints.

Il ne sera pas possible de distribuer du café/de l'eau chaude/de la vapeur et les LED seront éteintes, tandis que la LED (C) du groupe 1 restera allumée, permettant de quitter le mode ECO lorsqu'on appuie dessus. Même si elle est désactivée dans le menu utilisateur, il est possible de régler la machine directement en phase ECO 1 en répétant deux fois la séquence d'appui sur le bouton (E) puis sur le bouton (C), en gardant toujours l'appui sur le bouton (E). La page-écran suivante est affichée à l'écran : le chiffre à droite, indiqué par la flèche, indique la phase ECO actuelle.



Il est possible d'interrompre le cycle d'Energy Saving (économie d'énergie) avant la fin et de rétablir les conditions de fonctionnement optimales en appuyant sur le bouton (C) du groupe 1.

AFFICHAGE ET MODIFICATION DES DOSES

Après les réglages concernant le mode Economy, en appuyant à nouveau sur le bouton (D) on passe à l'affichage/modification des doses café exprimées en ml. Pour entrer dans le détail du menu, appuyer sur (E), tout en appuyant sur (D) pour passer au paramètre suivant.



Si l'on souhaite modifier le paramètre, on doit agir sur les boutons (A) (-) ou (B) (+) par pas de 1 ml.

Pendant la modification, la dose clignote.

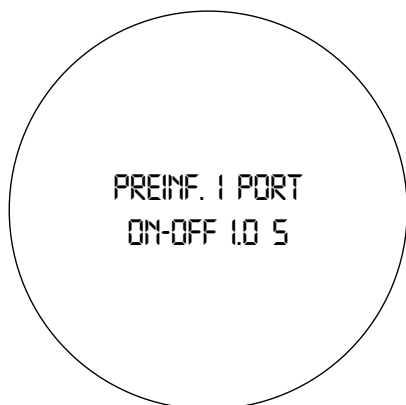
En appuyant sur (C)/(D), on défile vers l'avant/vers l'arrière toutes les doses pour tous les groupes, en affichant à la fois le bouton de dose en continu et les deux doses supplémentaires pour la version 7 touches (après la dernière dose, on revient à la première). Les doses comprennent également le bouton (E) MAN.

Pour quitter le menu de configuration à tout moment, appuyer sur (E), ce qui ramène à la page-écran « Réglage doses ».

PRÉ-INFUSION

Une fois le réglage des doses café terminé, en appuyant sur le bouton (D) on passe à l'affichage de sélection de la fonction de pré-infusion. En appuyant sur le bouton (E), on peut activer/désactiver la pré-infusion en utilisant les boutons (A) (<) ou (B) (>). Une fois le choix confirmé par le bouton (E), on passe à la programmation des temps de pré-infusion simples/doubles.

Utiliser les boutons (C) (<) ou (D) (>) pour sélectionner la programmation ON/OFF simples/doubles. La page-écran suivante est affichée :



XX = temps d'activation

Si l'on souhaite modifier le temps d'activation de la pré-infusion, appuyer sur les boutons (A) (+) et (B) (-). Une fois que toutes les valeurs ont été réglées, à partir de la page-écran de OFF/pause de la pré-infusion, appuyer sur (E) pour confirmer et passer à la procédure de modification des paramètres de la PRÉ-INFUSION CAFÉS DOUBLES. La procédure de modification des paramètres est la même que pour la PRÉ-INFUSION CAFÉ SIMPLE. La page-écran suivante est affichée :



Une fois que toutes les valeurs ont été correctement réglées, appuyer sur (E) pour confirmer et revenir au menu PRÉ-INFUSION.

ACTIVATION MESSAGE « FLUSH » UTILISATEUR

Une fois le réglage de la pré-infusion doses café double terminé, en appuyant sur le bouton (D) on peut passer à l'affichage de la fonction d'ACTIVATION MESSAGE FLUSH (appuyer sur (E) pour accéder au menu). Cette fonction, spécifique aux machines à circulation en thermosiphon, fait afficher une indication/conseil sur les claviers lorsque la machine reste allumée sans distribuer de café pendant un certain temps (15 minutes par défaut). Cette opération est nécessaire pour nettoyer la douche du groupe et assurer une meilleure extraction. L'écran affiche :



XXX = ON / OFF

YY = temps d'inactivité du groupe en minutes après lequel le bouton (E) du groupe concerné donne l'indication.

Si l'on souhaite modifier le paramètre correspondant à l'activation/désactivation de l'élément, on doit agir sur les boutons (A) (<) ou (B) (>). Valeur par défaut OFF. En appuyant sur le bouton (A) (-) ou (B) (+), il est possible de modifier le temps d'attente inactivité du groupe. Appuyer sur (E) pour sauvegarder et revenir au menu. À l'expiration du temps fixé (valable pour tous les groupes), le bouton (E) du groupe concerné fait clignoter ON/OFF deux fois tous les 90 s («FL» sur l'affichage de groupe). Lorsque le bouton (E) clignote, appuyez dessus pour effectuer le Flush.

PROGRAMMATION HORLOGE

Après le menu « Flush » on trouve le menu de réglage de l'horloge. Pour accéder à l'élément, appuyer sur le bouton (E). La page-écran suivante sera affichée :



HH = heure actuelle (0...23)

MM = minute actuelle

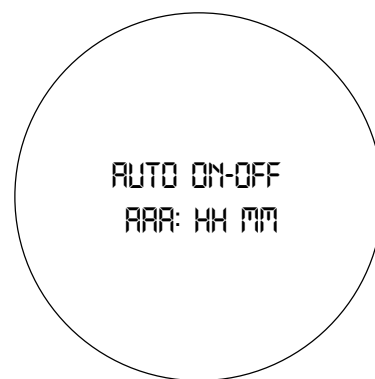
XXX = jour de la semaine

Si l'on souhaite modifier le paramètre, on doit se déplacer en utilisant les boutons (C) (<) ou (D) (>) et avec les boutons (A) (-) ou (B) (+) on modifie les valeurs.

Après avoir réglé le dernier paramètre, appuyer sur le bouton (E) pour passer au réglage de l'allumage automatique.

AUTO ON/OFF/ECO-ALLUMAGE/ARRÊT AUTOMATIQUE

Il permet de définir les heures d'allumage et d'arrêt automatique de la machine et les jours de fermeture hebdomadaires. La page-écran suivante sera affichée :



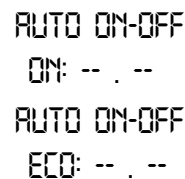
Comme alternative au mode OFF, il est possible de régler le mode ECO qui maintient la machine active, mais à un POINT DE RÉGLAGE inférieur.

Les paramètres suivants sont programmés en séquence :

- heure d'allumage (AAA = ON)
- minute d'allumage (AAA = ON)
- heure d'arrêt/ECO (AAA = OFF/ECO)
- minute d'arrêt/ECO (AAA = OFF/ECO)
- jours de repos

Pour passer de l'un à l'autre, appuyer sur les boutons (C) (<) ou (D) (>).

Il est possible de programmer un allumage et un arrêt uniquement, valables pour tous les jours de la semaine à l'exception des jours de repos. Si l'on ne souhaite pas disposer de l'allumage ou de l'arrêt automatique, aller à la programmation de l'heure correspondante et appuyer sur (A) (+) ou (B) (-) et régler la valeur « -.-.- » visible à l'écran jusqu'à ce que l'une des deux pages-écrans suivantes apparaisse :



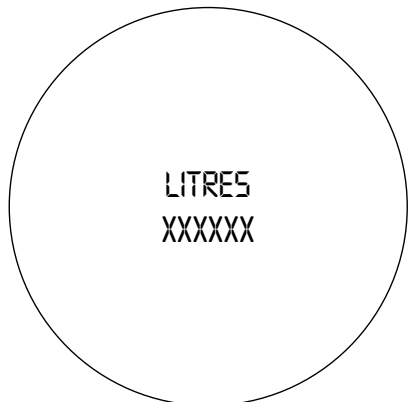
- si l'allumage a été désactivé, l'arrêt et le jour de repos restent automatiquement désactivés, en appuyant sur le bouton (E) on peut sauter les réglages relatifs et passer directement au paramètre suivant. L'allumage et l'arrêt ne peuvent donc se faire que manuellement en suivant la procédure décrite au paragraphe précédent.
- Si l'allumage est activé, l'appui sur (E) permet de passer au réglage de l'arrêt.
- Une fois que l'arrêt a été réglé, en appuyant sur (E) on accède au menu des jours de repos.



Le sous-menu avec les différents jours de la semaine est alors affiché. Il sera possible d'activer la fonction « jours de repos » en utilisant les boutons (A) (<) ou (B) (>), pour faire défiler les jours. Il est possible de programmer jusqu'à deux jours de repos.

LECTURE DES CONSOMMATIONS, DES LITRES, DE L'ENTRETIEN ET DES LAVAGES

Après les réglages concernant l'horloge, en appuyant à nouveau sur le bouton (D) on passe à l'affichage des compteurs globaux. Pour accéder à l'élément, appuyer sur le bouton (E). La page-écran suivante sera affichée :



Appuyer sur le bouton (D) pour passer au nombre de cycles effectués jusqu'à ce moment-là.



Appuyer sur le bouton (D) pour afficher le total des cafés distribués jusqu'à ce moment-là.



Appuyer sur le bouton (E) pour afficher les détails des comptages. Les totaux des doses individuelles pour chaque groupe sont affichés. La page-écran suivante sera affichée :



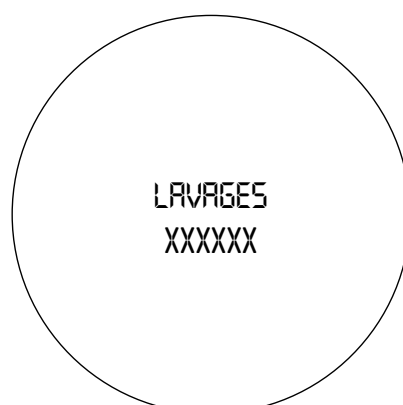
où Y est le groupe

ZZZZZZ = est le type de café

XXXXXX = le nombre de cafés

Pour passer à l'affichage du comptage des cafés du groupe suivant, appuyer sur (D)/(E).

Après avoir affiché les compteurs des cafés, appuyer sur (E) pour passer au paramètre suivant.



En appuyant sur le bouton (E) le nombre des lavages effectués par la machine depuis la dernière remise à zéro est affiché. Les lavages sont comptés quel que soit leur type, à condition qu'ils aient été effectivement effectués.

Appuyer sur (D) pour accéder au détail de l'« historique lavages ».

Il sera ainsi possible de consulter l'historique des 20 derniers lavages effectués avec une description de la date et de l'heure.



Où XX.XX.XX indiquent jour.mois.année et YY.YY indiquent heure:minutes

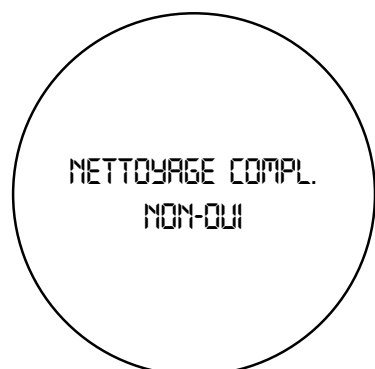
Pour accéder à l'affichage de l'historique de lavage suivant, appuyer sur (D) ou sur (C) pour afficher celui précédent.

Une fois l'écriture des 10 registres terminée, le compteur de lavages s'écrasera automatiquement à chaque nouveau lavage.

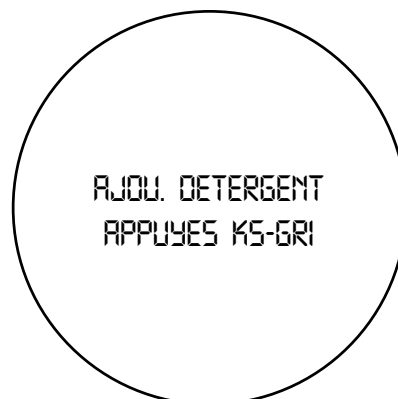
À la fin de l'affichage, l'appui sur le bouton (E) permet de sortir de cette phase.

LAVAGE AUTOMATIQUE DES GROUPES

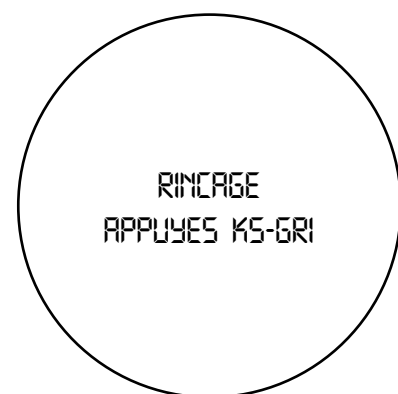
Après les réglages concernant les compteurs globaux, en appuyant à nouveau sur le bouton (D) on passe à la fonction de lavage automatique de tous les groupes. Pour accéder à l'élément, appuyer sur le bouton (E). La page-écran suivante sera affichée :



Si l'on souhaite modifier le paramètre (affichage « OUI » ou « NON »), on doit agir sur les boutons (A) (<) ou (B) (>), confirmer avec (E). Une fois que « OUI » a été confirmé, la page-écran suivante est affichée à l'écran :



Si l'on décide de continuer avec le lavage, décrocher le porte-filtre et le vider, enlever le filtre et insérer le filtre aveugle, verser du détergent spécifique pour machine à café dans le filtre aveugle ; suivre les indications sur l'emballage du détergent pour la quantité à utiliser. En appuyant sur (E), le procédé de lavage automatique des groupes est lancé et l'écran affiche « LAV. COMPLET » avec le compte à rebours du processus en dessous. Les LED (E) et (A) des groupes se mettent à clignoter pour confirmer que la phase de lavage est en cours (l'écran des groupes affiche le texte CL pendant tout le procédé). Une fois que la phase de lavage est terminée, la page-écran suivante est affichée à l'écran :



Détacher le porte-filtre et jeter la saleté contenue dans le filtre aveugle en le rinçant sous l'eau courante. Reposer le porte-filtre dans le groupe. En appuyant sur (E), le procédé de rinçage commence et le texte « RINÇAGE » est affiché à l'écran avec des flèches en dessous se déplaçant de gauche à droite. À la fin de la phase de rinçage, le texte « QUITTER MENU » est affiché à l'écran. Démonter et enlever le porte-filtre, remplacer le filtre-aveugle

avec le filtre normal et distribuer un café pour éliminer les goûts désagréables éventuels.

Si le lavage n'est pas terminé en raison de causes externes (panne de courant), la phase de rinçage est forcée lors du prochain allumage de la machine.

Il est possible d'accéder directement à la fonction de lavage complet des groupes sans accéder au menu utilisateur en utilisant le groupe 1 en appuyant sur le bouton (E) et ensuite sur le bouton (D) tout en gardant le bouton (E) appuyé.

12 SIGNALISATION ALARME

TIME-OUT NIVEAU (REPLISSAGE) DE LA CHAUDIÈRE

Lorsque l'écran affiche :



cela signifie que le temps de remplissage du niveau d'eau de la chaudière a été dépassé.

Toutes les LED des claviers clignotent pour signaler visuellement à l'utilisateur l'entrée en phase d'alarme.

Pour sortir de la signalisation d'alarme, il est nécessaire d'éteindre et de rallumer la machine.

SONDE DE TEMPÉRATURE CHAUDIÈRE EN COURT-CIRCUIT / SURCHAUFFE

L'écran affiche l'indication :



Si la sonde de température de la chaudière est en court-circuit ou si la température dépasse une certaine valeur pendant 5 secondes consécutives, une alarme se déclenche et active le clignotement de toutes les LED.

Une fois la cause de l'alarme éliminée, elle est réinitialisée en éteignant la machine (OFF).

SONDE DE TEMPÉRATURE CHAUDIÈRE DÉBRANCHÉE / INTERROMPUE

L'écran affiche l'indication :



En cas de sonde de température de chaudière débranchée ou interrompue ou déterminant une température autour de 0 °C, une indication d'alarme se déclenche dans les 5 secondes, et toutes les LED des claviers clignotent.

Une fois la cause de l'alarme éliminée, elle est réinitialisée en éteignant la machine (OFF).

ABSENCE D'IMPULSIONS DU COMPTEUR VOLUMÉTRIQUE

Si le texte « A7 » est affiché à l'écran du groupe, cela signifie qu'aucune impulsion du compteur volumétrique n'est reçue par le groupe activé.

La LED correspondante à la dose sélectionnée clignote.

Après 3 minutes (time-out du compteur volumétrique) d'absence d'impulsions du compteur volumétrique, la dose en cours est automatiquement arrêtée.

Pour plus d'informations, voir la section : DYSFONCTIONNEMENT CAUSES ET SOLUTIONS.

DYSFONCTIONNEMENT : CAUSES ET SOLUTIONS

13 DYSFONCTIONNEMENT : CAUSES ET SOLUTIONS 169

13 DYSFONCTIONNEMENT : CAUSES ET SOLUTIONS

DYSFONCTIONNEMENTS CAUSES ET SOLUTIONS

Vous trouverez ci-dessous une liste des inconvénients qui peuvent se vérifier pendant l'utilisation de la machine.

Pour des problèmes qui ne sont pas contenus dans ce tableau, contacter le Service d'assistance technique.

PROBLÈMES	CAUSES	SOLUTIONS
L'eau ne sort pas du groupe	Le robinet du réseau hydrique ou les robinets de l'épurateur sont fermés.	Ouvrir le robinet
	Le filtre du raccord d'entrée de l'eau est bouché	Le démonter et le nettoyer. Contrôler la régénération des résines de l'épurateur
	Gicleur bouché	Appeler l'assistance technique
L'eau ne se chauffe pas	Résistance brûlée	Appeler l'assistance technique
	Thermostat de sécurité déclenché	Appeler l'assistance technique
	Commutateur général en position 1	Tourner le commutateur général en position 2
La distribution n'est pas effectuée en doses régulières	Doseur volumétrique défectueux	Appeler l'assistance technique
Il y a une fuite à la buse de vapeur avec le robinet fermé	Joint d'étanchéité défectueux	Appeler l'assistance technique
Il y a une fuite de vapeur sous le bouton du robinet pendant l'ouverture	Joint axe robinet défectueux	Appeler l'assistance technique
Utilisation du café insuffisante	La granulométrie du café moulu n'est pas correcte (grain trop fin ou trop gros)	Vérifier le temps de mouture et/ou régler la mouture du café
	Douche et filtres partiellement bouchés	Appeler l'assistance technique
	Température incorrecte de la chaudière des services	Appeler l'assistance technique
Pendant la distribution il y a une fuite entre le groupe et le porte-filtre	Joint de la tête du groupe défectueux ou bord du filtre irrégulier	Appeler l'assistance technique
L'Autosteamer ne fonctionne pas	Rupture de la sonde de la buse (elle ne monte pas et ne chauffe pas la boisson et les LED du clavier de l'Autosteamer clignotent)	Appeler l'assistance technique
Eau du thé froide	Mauvais réglage de l'eau mélangée	Réglage de l'eau mélangée

PROBLÈMES	CAUSES	SOLUTIONS
Le café est trop froid	La machine n'est pas prête	Attendre que la température soit atteinte
	Présence de calcaire dans la chaudière	Appeler l'assistance technique
La machine ne fournit pas d'eau chaude	La machine n'est pas prête	Attendre que la température soit atteinte
	Électrovanne de distribution défectueuse	Appeler l'assistance technique
	Conduits de distribution bouchés	Appeler un technicien pour détartre la machine
Le café est distribué trop lentement ou il n'est pas distribué	Alimentation de l'eau insuffisante	Vérifier la ligne d'alimentation
	Trou de distribution du porte-filtre bouché	Nettoyer à fond le porte-filtre avec un détergent spécifique ou un cure-dents
	Broyage trop fin, l'erreur A7 affichée sur l'écran du groupe peut se produire	Régler le moulin-doseur
Le café n'est pas distribué	Dysfonctionnement de l'électrovanne du groupe	Appeler l'assistance technique
	Occlusion gicleur groupe (causée probablement par le calcaire)	Appeler l'assistance technique
La machine ne produit pas de vapeur	Commutateur général en position 1	Tourner le commutateur général en position 2
	Buse de distribution obstruée	Nettoyer
	Conduits de distribution bouchés	Appeler un technicien pour détartre la machine
	Robinet de la vapeur défectueux	Appeler l'assistance technique
Le café coule des bords du porte-filtre	Dans le logement du porte-filtre il y a des résidus de salissure qui empêchent la sortie du café du bec diffuseur	Nettoyer
	Joint du groupe usé	Remplacer
	Douches bouchées	Nettoyer ou remplacer

MISE HORS SERVICE, VÉRIFICATIONS ET CONTRÔLES

14	MISE HORS SERVICE TEMPORAIRE	172
14.1	REMISE EN SERVICE DE LA MACHINE	172
15	VÉRIFICATIONS ET CONTRÔLES APRÈS UNE INACTIVITÉ PROLONGÉE	172

14 MISE HORS SERVICE TEMPORAIRE

Si l'on prévoit de ne pas utiliser la machine pendant une longue période, il faut effectuer les opérations suivantes :

- effectuer les opérations d'entretien.
- débrancher l'alimentation d'eau et électrique.

Vidanger l'eau contenue dans la chaudière en procédant de la façon suivante :

- enlever le plateau supérieur du chauffe-tasses.



ATTENTION : avant d'effectuer cette opération, s'assurer que la machine à café soit éteinte (alimentation électrique en amont de la machine coupée), que le robinet de l'eau d'alimentation en amont de cette dernière soit fermé et que l'eau dans la chaudière soit froide.

- vidanger l'eau contenue dans la chaudière en ouvrant le robinet de vidange.
- couvrir la machine avec un chiffon en coton et la placer dans un lieu non poussiéreux et sans humidité.

14.1 REMISE EN SERVICE DE LA MACHINE

Pour remettre la machine en service, procéder de la façon suivante :

- nettoyer soigneusement la machine.
- distribuer de l'eau à partir du robinet diviseur en amont de la machine pour éliminer les résidus de la tuyauterie.
- nettoyer ou remplacer les filtres installés en amont de la machine.
- fermer le robinet de vidange et remettre le plateau supérieur du chauffe-tasses en place.
- effectuer les opérations de mise en service comme indiqué dans le paragraphe correspondant.



15 VÉRIFICATIONS ET CONTRÔLES APRÈS UNE INACTIVITÉ PROLONGÉE



ATTENTION : les vérifications et les contrôles après une longue période d'inactivité doivent être effectués par un technicien spécialisé.



Avant d'utiliser la machine, il faut effectuer les contrôles suivants :

- nettoyer soigneusement la machine.
- distribuer de l'eau du robinet diviseur en amont de la machine pour éliminer les résidus dans la tuyauterie.
- nettoyer ou remplacer les filtres installés en amont de la machine.
- rebrancher l'approvisionnement d'eau et rétablir l'alimentation électrique comme indiqué dans le chapitre « installation » de ce livret.
- vérifier qu'il n'y ait pas de fuites dans le système d'approvisionnement de l'eau.
- démarrer la machine et effectuer toutes les opérations de premier démarrage décrites dans le « chapitre 4 » de ce livret.

NETTOYAGE

16	NETTOYAGE.....	174
16.1	AVERTISSEMENTS GÉNÉRAUX CONCERNANT LE NETTOYAGE.	174
16.2	ENTRETIEN ORDINAIRE.....	174
16.2.a	LAVAGE MANUEL DU GROUPE.....	174
16.2.b	LAVAGE AUTOMATIQUE DES GROUPES.....	175
16.2.c	NETTOYAGE QUOTIDIEN DE LA MACHINE.....	175
16.3	ENTRETIEN PROGRAMMÉ (TECHNICIEN).....	176
16.4	ENTRETIEN EXCEPTIONNEL (TECHNICIEN).....	176

16 NETTOYAGE

16.1 AVERTISSEMENTS GÉNÉRAUX CONCERNANT LE NETTOYAGE

Il est interdit :

- d'utiliser des jets d'eau pour le nettoyage de la machine.
- d'utiliser des détergents à base d'alcool ou d'ammoniaque ou bien des éponges abrasives pour nettoyer la machine ; utiliser seulement des détergents spécifiques pour le nettoyage de machines à café ou de la vaisselle.
- Les détergents chimiques utilisés pour le nettoyage de la machine et/ou de l'installation doivent être employés avec soin pour ne pas détériorer les composants et pour respecter l'environnement (dégradabilité supérieure à 90 %).
- Nettoyer complètement toutes les parties et les composants de la machine.
- le nettoyage et l'entretien à la charge de l'utilisateur ne doivent pas être effectués par des enfants sans surveillance.



ATTENTION : les opérations d'entretien doivent être effectuées avec la machine éteinte, froide et avec l'interrupteur général désactivé sur la position « 0 » OFF. Certaines opérations d'entretien doivent être effectuées avec la machine en marche, agir avec le plus grand soin.



ATTENTION : pour les opérations de régénération ou d'entretien relatives à l'adoucisseur d'eau, suivre les instructions mentionnées dans le livret relatif.

16.2 ENTRETIEN ORDINAIRE

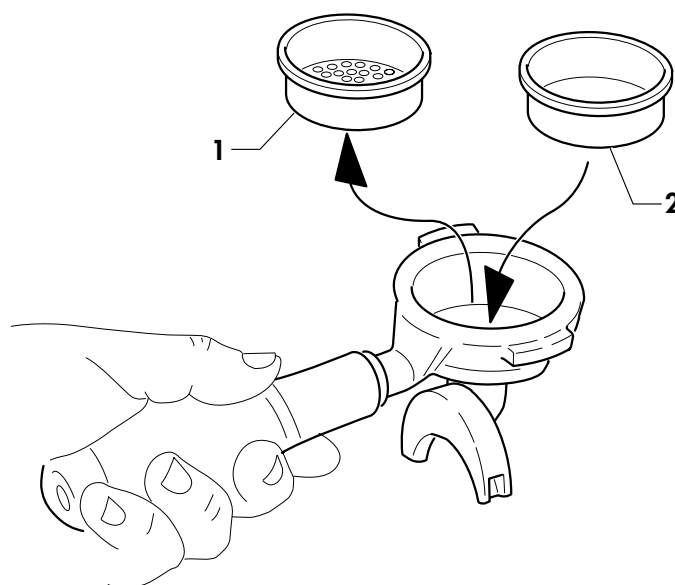
L'entretien ordinaire comprend toutes les opérations qui doivent être effectuées sur la machine quotidiennement à la fin du service.

16.2.a LAVAGE MANUEL DU GROUPE



IMPORTANT : le lavage des groupes doit être effectué pour tous les groupes qui composent la machine. La durée du cycle de nettoyage est d'environ 3 minutes.

- décrocher le porte-filtre et le vider.
- enlever le filtre (1) et insérer le filtre aveugle (2), verser du détergent spécifique pour machine à café dans le filtre aveugle ; suivre les indications sur l'emballage du détergent pour la quantité à utiliser.



- remonter le porte-filtre dans la machine et appuyer sur le bouton (E) puis sur le bouton (A), en gardant toujours l'appui sur le bouton (E) du clavier du groupe auquel on se réfère ; le cycle de lavage du groupe démarrera automatiquement, les LED (A) et (E) s'allumeront en clignotant et le texte « CL » sera affiché à l'écran.



- détacher le porte-filtre et jeter la saleté contenue dans le filtre aveugle en le rinçant sous l'eau courante.
- remonter le porte-filtre dans le groupe et répéter l'opération de lavage sans introduire le détergent dans le filtre aveugle. Ce faisant, on effectue le rinçage.

À la fin de l'opération de rinçage, démonter et enlever le porte-filtre, remplacer le filtre-aveugle avec le filtre normal et distribuer un café pour éliminer les goûts désagréables éventuels.

Il est possible d'interrompre le lavage manuel en cours du groupe en appuyant sur n'importe quel bouton du groupe concerné.

16.2.b LAVAGE AUTOMATIQUE DES GROUPES

Pour activer le lavage automatique de tous les groupes, voir la fonction spécifique dans la section PROGRAMMATION au paragraphe MENU TECHNIQUE UTILISATEUR.

16.2.c NETTOYAGE QUOTIDIEN DE LA MACHINE

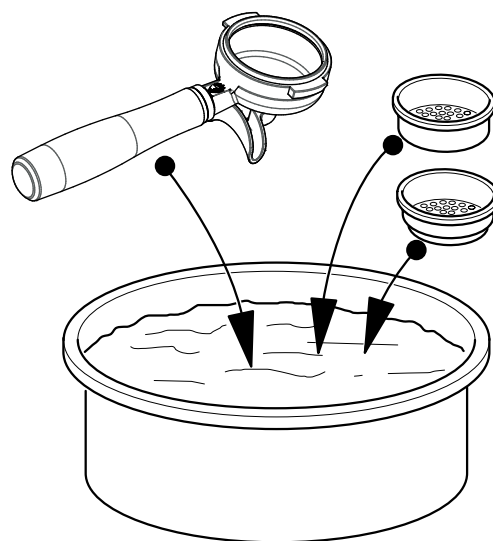
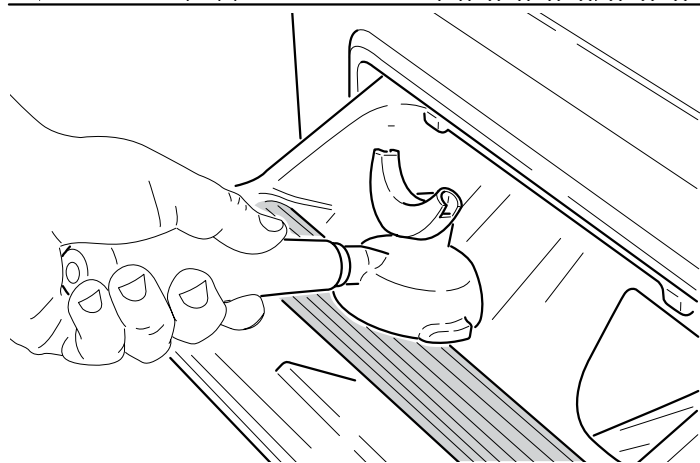
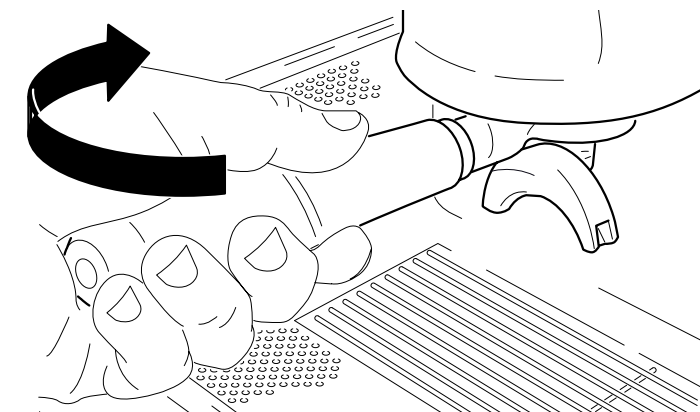


ATTENTION : Ne JAMAIS utiliser de détergents corrosifs ou abrasifs ; utiliser des détergents spécifiques pour le lavage des machines à café ou de la vaisselle.

NE JAMAIS nettoyer la machine avec des jets d'eau.

Pour le nettoyage, procéder de la façon suivante :

- décrocher les porte-filtres et les vider ;
- enlever les filtres des porte-filtres et les plonger dans une bassine contenant un détergent spécifique, les laisser dans la solution pendant toute la période pendant laquelle la machine est arrêtée ;



- enlever la grille et la laver à l'eau courante et avec des détergents spécifiques ;
- après le nettoyage, la sécher complètement avec un chiffon doux et la remonter.

- Vérifier qu'il n'y ait pas d'incrustations sur les buses à vapeur, les nettoyer si nécessaire avec des détergents spécifiques.



16.3 ENTRETIEN PROGRAMMÉ (TECHNICIEN)

L'entretien programmé comprend toutes les opérations qui doivent être effectuées régulièrement pour garantir le fonctionnement correct de la machine.



IMPORTANT : toutes les opérations d'entretien programmées doivent être effectuées par un centre d'assistance technique. Il est recommandé de signer un contrat d'entretien avec le centre d'assistance technique local pour faire face aux problèmes éventuels qui pourraient se présenter pendant l'utilisation de la machine.

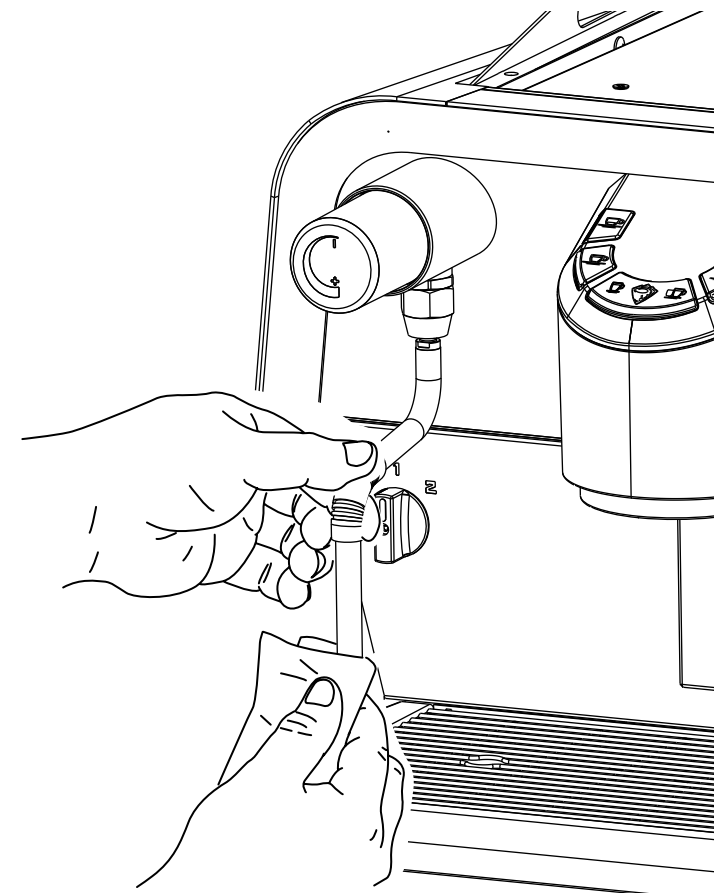


16.4 ENTRETIEN EXCEPTIONNEL (TECHNICIEN)

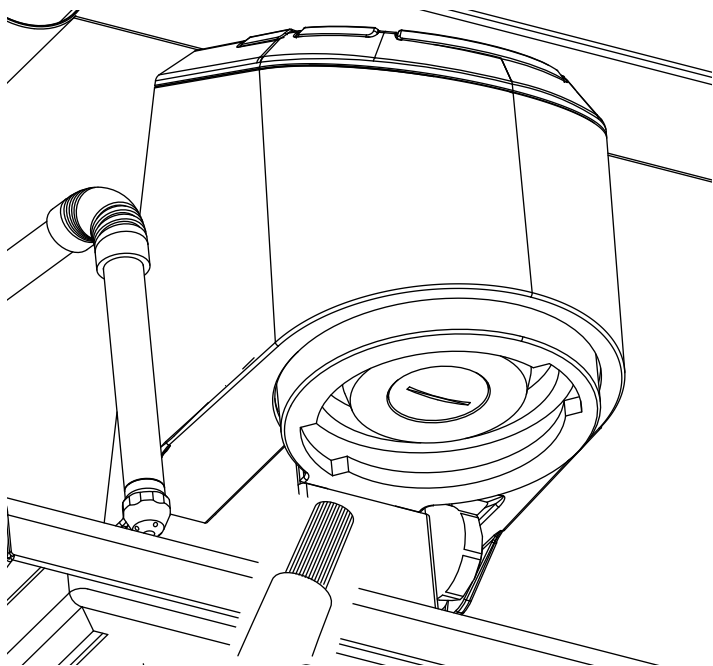
L'entretien exceptionnel comprend toutes les opérations qui doivent être effectuées lorsque cela est nécessaire, par exemple, pour remplacer un composant usé ou cassé.



IMPORTANT : tout type d'inconvénient qui n'est pas parmi ceux traités dans le tableau représenté au chapitre 13 exige l'intervention du service d'assistance technique.



- Nettoyer avec une éponge la partie inférieure du groupe avec un détergent spécifique et le joint (3) avec une brosse à poils souples.



- Nettoyer la machine à l'extérieur à l'aide d'un chiffon imbibé d'eau.

ASSISTANCE ET DÉMANTÈLEMENT

17	ASSISTANCE TECHNIQUE ET PIÈCES DE RECHANGE.....	178
18	DÉMANTÈLEMENT DE LA MACHINE	178
18.1	ÉLIMINATION DES SUBSTANCES NOCIVES	178

17 ASSISTANCE TECHNIQUE ET PIÈCES DE RECHANGE

Pour des pièces de rechange et pour tous les problèmes concernant la machine, contacter seulement le réseau de vente agréé.

Si des réparations sont nécessaires, utiliser seulement des pièces de rechange d'origine pour s'assurer que les caractéristiques techniques de la machine restent inchangées.

Pour commander des pièces de rechange, suivre les instructions dans le catalogue des pièces de rechange.



18 DÉMANTÈLEMENT DE LA MACHINE



Pour protéger l'environnement, procéder conformément aux règlements et aux normes en vigueur dans le pays concerné.

Quand l'appareil ne peut plus être utilisable ou réparable, procéder à l'élimination sélective des composants. Les machines envoyées à l'élimination doivent être intactes.

Les équipements électriques ne doivent pas être éliminés comme des déchets urbains, mais ils doivent être traités séparément en respectant la directive européenne concernant les déchets d'équipements électriques et électroniques (D.L. italien n°49 du 14/03/2014, D.2012/19 UE, D.2003/108 UE, D.L. italien n°151 du 25/07/2005, D.L. italien n°152 du 03/04/2006).

Les équipements électriques sont marqués avec un symbole barré d'une poubelle à roulettes. Cela indique que l'équipement a été mis sur le marché après le 13 août 2005 et doit faire l'objet d'une collecte sélective.

Vu les substances et les matériaux qui les composent, l'élimination illégale ou inappropriée des appareils, ou bien une utilisation abusive de ceux-ci, peuvent causer des dommages aux personnes et à l'environnement. L'élimination des déchets électriques qui ne respecterait pas les règlements en vigueur comporte l'application de sanctions administratives et pénales.



IMPORTANT : pour avoir des informations concernant l'élimination des substances nocives (lubrifiants, solvants, peintures etc.), consulter le paragraphe suivant.

18.1 ÉLIMINATION DES SUBSTANCES NOCIVES

Pour éliminer ce type de substances, consulter les règlements en vigueur dans le pays concerné et procéder en conséquence.



IMPORTANT : toute irrégularité commise par le Client avant, pendant ou après la mise à la casse et l'élimination des composants de la machine, dans l'interprétation et dans l'application des réglementations en vigueur, relève de la responsabilité exclusive de celui-ci.

Think
about
it!

SANREMO s.r.l.
Via Bortolan, 52
31050 Vascon di Carbonera (TV)
ITALIA
tel. +39 0422 448900
fax +39 0422 448935
p.iva /c.f. 03239750262
www.sanremomachines.com
info@sanremomachines.com