



Instruction Booklet
English
(Translation of original instructions)

Livret D'Instructions
Français
(Traduction des instructions d'origine)

CAFÈ RACER

CE



SANREMO

C O F F E E M A C H I N E S

Congratulations on purchasing your SANREMO machine: each one of our products is the result of careful research, in constant collaboration with coffee lovers from all over the world. That's why your thoughts are important to us: your experience and collaboration makes us improve every day, and you can always get the best out of every SANREMO creation.



SANREMO, think about it.

Nous vous félicitons d'avoir acheté un produit SANREMO : chacun de nos articles est le fruit d'une recherche attentive, en collaboration permanente avec les amateurs de café du monde entier. Voilà pourquoi votre opinion est extrêmement importante pour nous : grâce à votre expérience et collaboration nous saurons nous améliorer de jour en jour pour obtenir toujours le meilleur de chaque création SANREMO.

SANREMO, think about it.

SANREMO COFFEEMACHINES

SANREMO coffee machines s.r.l.
Via Giacomo Bortolan, 52
31050 Vascon di Carbonera (Treviso) ITALY
Tel. +39.0422.498900 - Fax +39.0422.448935
www.sanremomachines.com - E-mail: info@sanremomachines.com

SANREMO		MADE IN ITALY	
COFFEEMACHINES		Via G. Bortolan, 52	
mod <u>B</u> type <u>D</u>		31050 VASCON (TV)	
		ITALY	
<u>A</u> <u>W</u> <u>C</u> <u>V</u> <u>N</u> <u>E</u> Hz		<div style="border: 1px dashed black; padding: 5px; display: inline-block;"> M </div>  	
S.N. <u>L</u>	boiler 1: <u>I</u>		
P.max: <u>G</u>	boiler 2: <u>F</u>		
water supply: <u>H</u>			

	ENGLISH	FRANÇAIS
A	Power	Puissance
B	Model	Modèle
C	Supply voltage	Tension d'alimentation
D	Machine identification code	Identification configuration de la machine
E	Frequency	Fréquence
F	Maximum pressure boiler 2	Pression maximale de la chaudière à vapeur 2
G	Maximum pressure	Pression maximale
H	Inlet supply pressure	Pression du réseau d'alimentation
I	Maximum pressure boiler 1	Pression maximale de la chaudière à vapeur 1
L	Identification number	Numéro d'identification
M	Identification of certifications	Identification des certifications

INDICE DEI CAPITOLI

English.....7

Français..... 69

GENERAL INDEX

1	IMPORTANT SAFEGUARDS.....	12
1.1	GENERAL WARNINGS.....	12
1.2	REFERENCE STANDARDS	13
1.3	DESCRIPTION OF THE SYMBOLS	13
1.4	PREPARATION BY THE PURCHASER.....	13
1.5	EMERGENCY OPERATIONS IN CASE OF FIRE	13
1.6	RISK OF EXPLOSION	13
1.7	SOUND PRESSURE LEVEL	13
1.8	VIBRATION	14
1.9	INTENDED USE.....	14
1.10	IMPROPER USE.....	14
1.11	DECLARATION FOR MATERIALS IN CONTACT WITH FOOD..	14
2	SAFETY.....	16
2.1	SAFETY LABELS.....	16
2.2	SAFETY DEVICES.....	16
2.3	OPERATOR AREAS	16
2.4	AREAS WITH RESIDUAL RISK.....	16
2.5	DANGEROUS AREAS	16
3	DESCRIPTION OF THE MACHINE	18
4	TECHNICAL SPECIFICATION.....	18
5	TRANSPORT.....	22
5.1	SHIPMENT.....	22
5.2	LIFTING THE PACKAGE	22
5.3	STORAGE.....	22

Index

EN

5.4	CHECKS ON RECEIPT	22
6	UNPACKING AND POSITIONING	23
6.1	UNPACKING THE MACHINE	23
6.2	LIFTING THE MACHINE.....	23
6.3	POSITIONING THE MACHINE	23
7	IDENTIFYING THE COMPONENTS	24
7.1	RATING PLATE.....	24
8	CONNECTIONS	26
8.1	WATER CONNECTION.....	26
8.2	WARNING – CORRECT USE OF ROTARY PUMPS.....	27
8.3	ELECTRICAL CONNECTION	29
9	COMMISSIONING	32
9.1	FIRST START-UP.....	32
10	ADJUSTING THE FUNCTIONS	36
10.1	ADJUSTING THE GRINDER DOSER.....	36
10.2	TESTING COFFEE DELIVERY.....	36
10.3	FINAL CONSIGNMENT	36
11	OPERATING THE MACHINE	38
11.1	DESCRIPTION OF THE COMPONENTS.....	38
11.2	DESCRIPTION OF THE CONTROLS.....	39
11.3	DISPLAY	40
11.4	MAKING COFFEE.....	40
11.5	MAKING CAPPUCCINO	42
11.6	HEATING DRINKS	43
11.7	MAKING TEA, CHAMOMILE, ETC.	43
12	PROGRAMMING.....	46
12.1	PROGRAMMING DOSES.....	46
12.2	PROGRAMMING FUNCTIONS USING THE GROUP PARAMETER DISPLAY	47

12.2.a	PROGRAMMING GROUP COFFEE WATER TEMPERATURE	47
12.2.b	PROGRAMMING CUP WARMER TEMPERATURE AND ON/OFF.....	48
12.2.c	PROGRAMMING PRE-BREWING	48
12.2.d	PROGRAMMING DOSES	48
12.3	PROGRAMMING FUNCTIONS USING THE GENERAL DISPLAY	49
12.4	EXITING PROGRAMMING.....	51
12.5	PURGING THE COFFEE CIRCUIT	51
12.6	'ENERGY SAVING' FUNCTION.....	51
13	TURNING THE GROUPS ON/OFF	54
14	TURNING THE MACHINE ON/OFF	54
15	ALARMS.....	54
16	TROUBLESHOOTING	56
17	TEMPORARY DECOMMISSIONING	60
17.1	STARTING UP THE MACHINE AGAIN.....	60
18	CONTROLLING THE MACHINE AFTER PROLONGED.....	60
19	CLEANING	62
19.1	GENERAL CLEANING WARNINGS	62
19.2	ROUTINE MAINTENANCE.....	62
19.2.a	AUTOMATIC WASHING OF THE GROUPS.....	62
19.2.b	COMPLETE WASHING OF THE GROUPS.....	63
19.2.c	DAILY CLEANING.....	63
19.3	- SCHEDULED MAINTENANCE (TECHNICIAN)	64
19.4	EXCEPTIONAL MAINTENANCE (TECHNICIAN).....	65
20	TECHNICAL ASSISTANCE AND SPARE PARTS.....	68
21	SCRAPPING THE MACHINE.....	68
21.1	DISPOSAL OF HARMFUL SUBSTANCES	68



IMPORTANT SAFEGUARDS

1	IMPORTANT SAFEGUARDS.....	12
1.1	GENERAL WARNINGS.....	12
1.2	REFERENCE STANDARDS	13
1.3	DESCRIPTION OF THE SYMBOLS	13
1.4	PREPARATION BY THE PURCHASER.....	13
1.5	EMERGENCY OPERATIONS IN CASE OF FIRE	13
1.6	RISK OF EXPLOSION	13
1.7	SOUND PRESSURE LEVEL	13
1.8	VIBRATION	14
1.9	INTENDED USE.....	14
1.10	IMPROPER USE.....	14
1.11	DECLARATION FOR MATERIALS IN CONTACT WITH FOOD..	14

Chapter 1

EN



1 IMPORTANT SAFEGUARDS

1.1 GENERAL WARNINGS

- This instruction booklet is an integral part of the machine and must be kept carefully for future consultation.

If it is lost or you require further information, contact your local dealer or the manufacturer.

- Before using the machine for the first time, the operator must have read this instruction booklet carefully and have indepth knowledge of the technical specifications and controls.
- Before installing the machine, make sure the area where it will be installed is compatible for the size and weight of the machine.
- The machine is not suitable for installation outdoors, in places where water jets may be used, or where the temperature may drop below 41°F.
- Do not install the machine near heat sources.
- Children shall not play with the machine.
- This machine can be used by children aged from 8 years and above and persons with reduced physical, sensory or mental capabilities or lack of experience and knowledge if they have been given supervision or instruction concerning use of the machine in a safe way and if they understand the hazards involved.
- Do not use the device with wet hands or bare feet.
- Do not allow unauthorised and unqualified personnel to operate, adjust or repair the machine.
- Authorised qualified technical personnel must have the necessary hygiene and safety knowledge to use the appliance correctly.
- They should also refer to this instruction booklet for the necessary operations.
- Before cleaning and/or performing maintenance on the machine and before removing any of the guards, make sure the main switch is in the "OFF" (O) position to disconnect power from the machine while the operator is working.
- The purchaser's mains power installation must include an automatic circuit breaker upstream of the main switch of the machine with a contact opening distance complying with the

disconnection specifications for Overvoltage Category III and AS/NZS 3000 and an adequate earth system complying with all the requirements of accident prevention standards and regulations.

- Do not use adaptors, multiple sockets and/or extensions.
- Do not use the machine if the power cable is frayed or damaged.
- When working on or near the main switch, disconnect the switch from the mains power line.
- Check that all safety devices (guards, casing, microswitches, etc.) have not been tampered with and are operating perfectly. If this is not the case, repair.
- **Do not remove the safety devices.**
- To avoid personal danger, use only suitable tools complying with national safety standards and regulation.
- **PAY MAXIMUM ATTENTION TO THE WARNING LABELS WHENEVER YOU OPERATE ON OR NEAR THE MACHINE.**
- The user must replace any warning labels for whatever reason damaged or not clearly legible, requesting replacement labels from the Spare Parts Service.
- If the machine is malfunctioning or the components are damaged, contact your local dealer or the manufacturer.
- Any use of the machine other than those expressly envisaged and documented is absolutely forbidden.
- The machine must always be used according to the procedures, times and places established by the rules of good practice, in compliance with the directives in force and in respect of the standards and regulations on the health and safety of workers in force in the country of use.
- **Failure to observe safety standards and the instructions given in this instruction booklet absolves the manufacturer of all liability for possible accidents or damage to persons or things.**
- **Use other than that indicated in this instruction booklet is to be considered improper. If you believe this instruction booklet is not sufficiently exhaustive for**

your needs, always contact your local dealer or the manufacturer for further instructions and solutions.

- THESE SAFETY RULES COMPLETE, OR SUPPLEMENT, THE SAFETY STANDARDS AND REGULATIONS IN FORCE LOCALLY.
- IF IN DOUBT, ALWAYS REQUEST THE INTERVENTION OF SPECIALISED PERSONNEL.
- ANY ELECTRICAL/ELECTRONIC OR MECHANICAL TAMPERING WITH THE MACHINE BY THE USER OR NEGLIGENT USE OF THE MACHINE ABSOLVES THE MANUFACTURER OF ALL LIABILITY AND MAKES THE USER SOLELY RESPONSIBLE BEFORE THE ACCIDENT PREVENTION AUTHORITIES.

1.2 REFERENCE STANDARDS

- The machine and its safety devices are manufactured in compliance with the standards indicated in the declaration of conformity.

1.3 DESCRIPTION OF THE SYMBOLS

- Many accidents are caused by inadequate knowledge of and failure to apply the safety rules to be respected while operating and performing maintenance on the machine.
- To avoid accidents, read, understand and respect all the precautions and warnings in this instruction booklet and on the labels affixed to the machine.
- The following symbols are used to identify the safety messages given in this instruction booklet:



Electrical hazard



General hazard or miscellaneous information



Heat hazard (burns)



Hazard of damage to the machine.

To identify operations that must be performed exclusively by a technician, we used the symbol:



1.4 PREPARATION BY THE PURCHASER

a. Preparation of the installation site.

- The purchaser must prepare the surface on which the machine will stand as described in the chapter on installation.

b. Electrical requirements.

- The mains power installation must comply with the safety regulations and standards in force in the country of installation and must include an efficient earth system.
- An omnipolar cut-off device must be installed on the power line upstream of the machine.



The power wires must be sized according to the maximum current required by the machine to ensure a total voltage loss under full load of less than 2%.

c. Plumbing requirements.

- The purchaser must prepare a drain with siphon and a mains water supply providing suitably softened water, with a splitter tap upstream of the machine.

1.5 EMERGENCY OPERATIONS IN CASE OF FIRE

- a. In case of fire, disconnect power to the machine by turning off the main switch.



Never try to extinguish the fire with water while power to the machine is on.

- b. Extinguish the fire with suitable fire extinguishers.

1.6 RISK OF EXPLOSION

The machine is not suitable for use in environments where there is a risk of explosion.

1.7 SOUND PRESSURE LEVEL

The machine is manufactured so as to maintain the continuous equivalent weighed sound pressure level below 83 dB, uncertainty 2,5 dB.

1.8 VIBRATION

The machine is fitted with rubber vibration damper feet.

During normal operation, no vibrations harmful to the operator or the environment are generated.

1.9 INTENDED USE

The coffee machine is designed and constructed exclusively to make espresso coffee and hot drinks (tea, cappuccino, etc.) using hot water or steam.

Only professional operators with adequate knowledge of hygiene and safety standards and regulations may use the coffee machine.



Improper use of the machine absolves the manufacture of all liability for possible damage to persons or things.



This chapter lists a number of reasonably foreseeable improper uses. The machine must, however, always be used in respect of the instructions given in the chapter “Intended use”.

1.11 DECLARATION FOR MATERIALS IN CONTACT WITH FOOD

The manufacturer, SANREMO s.r.l. hereby declares that the materials used in its products comply with EC regulation 1935/2004.

1.10 IMPROPER USE

The coffee machine is designed and constructed exclusively for food use. The following are therefore prohibited:

- use of the machine by non-professional operators;
- introduction of liquids other than softened drinking water with a maximum hardness of 3/5 French degrees (60/85 ppm);
- heating drinks or other non-food substances;
- introduction of ground products other than coffee into the portafilter;
- placing objects other than cups on the cup warmer;
- resting containers of liquid on the cup warmer;
- obstructing the vents with cloths or other items;
- covering the cup warmer with cloths;
- touching the delivery areas with the hands;
- using the machine when very wet.

SAFETY

2	SAFETY	16
2.1	SAFETY LABELS.....	16
2.2	SAFETY DEVICES.....	16
2.3	OPERATOR AREAS	16
2.4	AREAS WITH RESIDUAL RISK.....	16
2.5	DANGEROUS AREAS	16

Chapter 2



2 SAFETY

2.1 SAFETY LABELS

Safety labels with descriptive symbols are present in all areas representing a hazard for operators or technicians



Labels giving safety instructions are affixed to the machine and must be scrupulously respected by anyone using or servicing it. Failure to comply with the safety instructions absolves the manufacturer from all liability for resulting damage or accidents to persons or things.

Danger: live voltage



This label is affixed in all areas with live voltage. No operations must be performed with the power on.

Danger of burns



This label is affixed to the top of the cup warmer.

2.2 SAFETY DEVICES

There are essentially two types of safety systems designed and incorporated in the coffee machine:

- Mechanical safety devices
- Electrical/electronic safety devices.

Mechanical safety devices

The mechanical safety devices consist of the following:

- panels fully closed by screws enclosing the electrical/electronic components and boiler;
- work surface with grille and tray to collect liquids;
- controls located on the top of the machine above the delivery areas;
- relief valve on the boiler;
- check valve in the water circuit.

Electrical/electronic safety devices

The electrical/electronic safety devices consist of the following:

- thermal breakers on the motors;
- safety thermostats to control overheating;

2.3 OPERATOR AREAS

The machine is operated by a single operator who stands in front of the machine to easily make coffee and other hot drinks

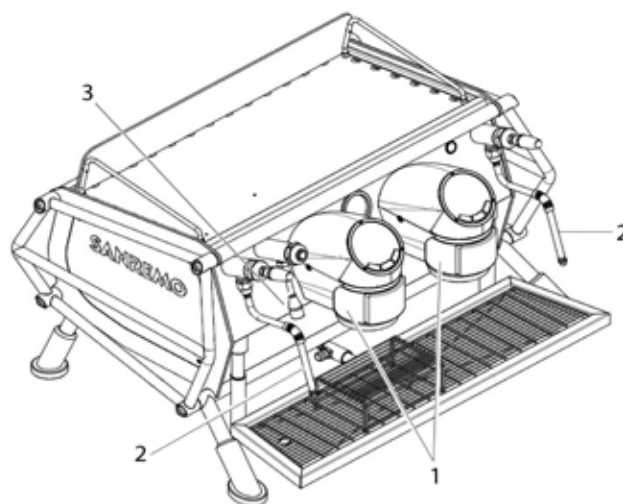
2.4 AREAS WITH RESIDUAL RISK

Areas with residual risk are those which cannot be protected due to the particular type of production. In the coffee machine, these are as follows:

- the area (1) of the groups during coffee delivery
- the area (2) of the steam wand when heating drinks;
- the area (3) where hot water is delivered;



There is a risk of burns in all these three areas.



2.5 DANGEROUS AREAS



Dangerous areas are all the areas inside the machine protected by the safety guards where the technician may operate when repairing the machine. These areas must be accessed by technicians only.

TECHNICAL SPECIFICATION

3	DESCRIPTION OF THE MACHINE	18
4	TECHNICAL SPECIFICATION.....	18

Chapter 3 - 4

EN



3 DESCRIPTION OF THE MACHINE

The main characteristics of the automatic espresso coffee machine are described below.

- Professional 2 or 3 group espresso coffee machine.
- New multi-boiler system with PID controller.
- Automatic boiler fill system.

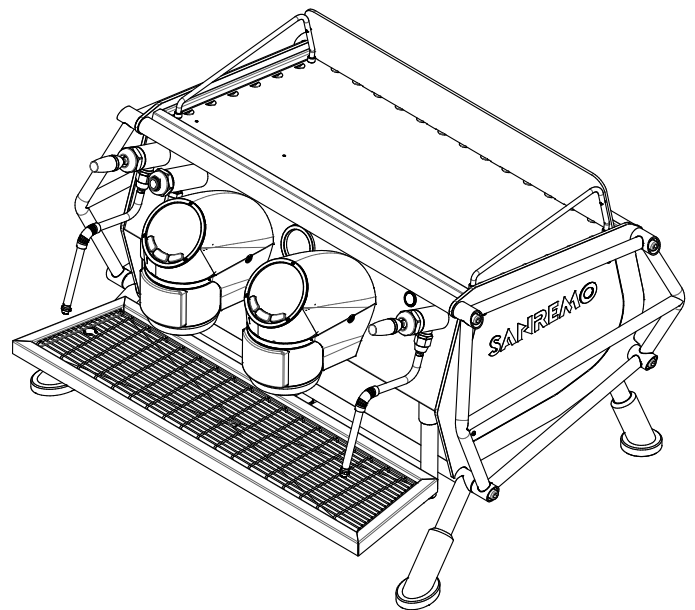
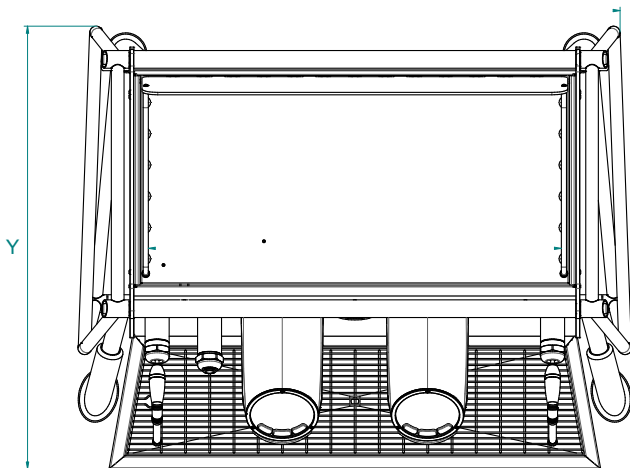
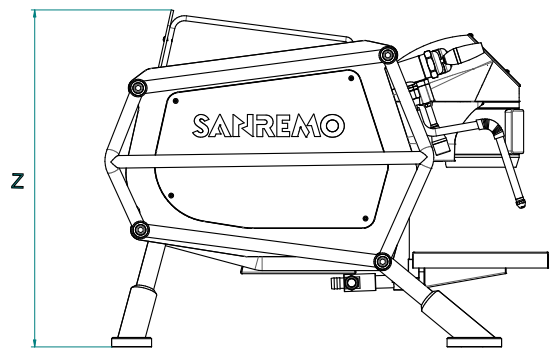
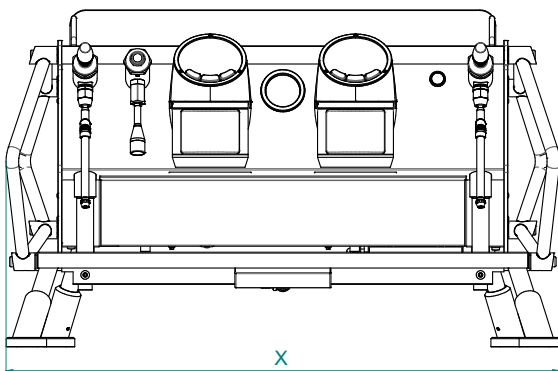
The machine is designed and constructed to make espresso coffee and hot drinks.

By means of controls located on the front of the

machine, coffee is delivered from the group heads and hot water or steam is produced. There is a cup warmer on top of the machine.

The machine consists of a frame on which all the components are mounted, enclosed with screw-fastened panels

4 TECHNICAL SPECIFICATION



EN

	CR2	CR3
x	34,53 inch	41,61 inch
y	27,64 inch	27,64 inch
z	21,02 inch	21,02 inch

GROUPS		CR2	CR3
Boiler capacity	US gal	2,11	2,64
Net weight	Lb	97	120
Gross weight	Lb	326	377
Power supply voltage	V	208-240V 60Hz	
Boiler heating element power (230V)	kW	3,5 / 4,5	
Small boiler heating element power (230V)	kW	0,5	
Group heating element power	kW	0,8	
Cup warmer heating element power	kW	0,16	0,2
Motor-driven pump power	kW	0,2	
Total power	kW	6,9	8,1
Small boiler maximum pressure	Bar/PSI	12/174	
Boiler operating pressure	Bar/PSI	0,8 ÷ 1,5 / 11,6 ÷ 21,8	
Mains water pressure	Bar/PSI	6 / 87	
Coffee delivery pressure	Bar/PSI	8 ÷ 12 / 116 ÷ 174	
Operating temperature	°F	41 ÷ 95	

EN



TRANSPORT, UNPACKING AND COMPONENTS

5	TRANSPORT.....	22
5.1	SHIPMENT.....	22
5.2	LIFTING THE PACKAGE	22
5.3	STORAGE.....	22
5.4	CHECKS ON RECEIPT	22
6	UNPACKING AND POSITIONING	23
6.1	UNPACKING THE MACHINE	23
6.2	LIFTING THE MACHINE.....	23
6.3	POSITIONING THE MACHINE	23
7	IDENTIFYING THE COMPONENTS	24
7.1	RATING PLATE.....	24

Chapter 5 - 6 - 7

EN

5 TRANSPORT

5.1 SHIPMENT

The machine is shipped in a wooden crate with internal protection.

The type of shipment (air, road, rail, etc.) is agreed in the contract signed between supplier and purchaser.



IMPORTANT: The package containing the machine must be protected from the weather during transport. Under no circumstance may other crates or material be placed on top of the package. The package must always be transported in a vertical position and must never be turned upside down.

5.2 LIFTING THE PACKAGE

The package must be handled with the utmost care. Suitable lifting equipment chosen according to the weight of the package must be used for lifting and positioning.

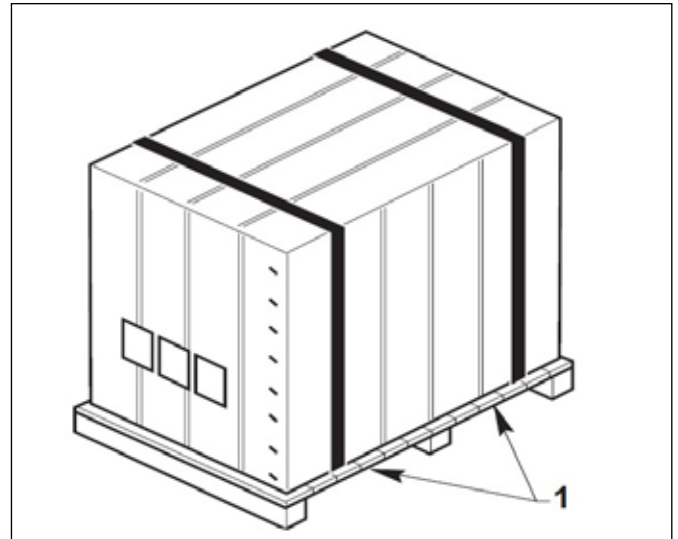
The crate must be lifted by means of a lift truck, inserting the forks (1) into the pallet.



Lifting and handling must be performed by specialised personnel authorised to use the appropriate equipment.



Failure to respect current safety regulations and standards on lifting and handling materials absolves the manufacturer from all liability for possible damage to persons or things.



5.3 STORAGE



The crate containing the machine must be stored under cover, protected from the weather. Under no circumstance may other boxes, crates or material be placed on top of the package.

5.4 CHECKS ON RECEIPT

When the shipment is received, check that the package is in good condition and not visibly damaged.

If the crate is in good condition, remove the packaging (unless different instructions have been provided by the manufacturer).

Make sure the package also contains the instruction booklet and all the components listed on the bill of transport.

If you note damage or faults:

- a. Immediately inform the carrier and your agent, both by telephone and in writing, with notice of receipt;
- b. Inform the manufacturer for information



6 UNPACKING AND POSITIONING



IMPORTANT: the machine must be unpacked and positioned by a specialised authorised technician. To avoid possible hygiene risks, we recommend leaving the machine in its packaging until the moment of installation.



6.1 UNPACKING THE MACHINE

To remove the machine from the package, proceed as follows:

- Remove the top cover.
- Remove the side panels.
- Remove the internal protection.
- Make sure the machine is in good condition.
- Remove the plastic bag.
- Extract the accessories, instruction booklet, etc.
- Verify conformity of the shipment.



Keep away from children's reach every packing element (plastic bags, cardboard, nails) since they are source of danger. Collect and send them to recycling centers.



Possible damage, faults or non-conformities must be communicated rapidly, within 8 days from receipt of the machine. Otherwise the goods are deemed accepted.

6.2 LIFTING THE MACHINE

The machine must be lifted manually by four or more people located on opposite sides of the machine, holding it by the frame/feet under the base.

The machine may also be lifted by a block and tackle, inserting the straps under the base and attaching the other end to a beam to avoid crushing the outer panels.

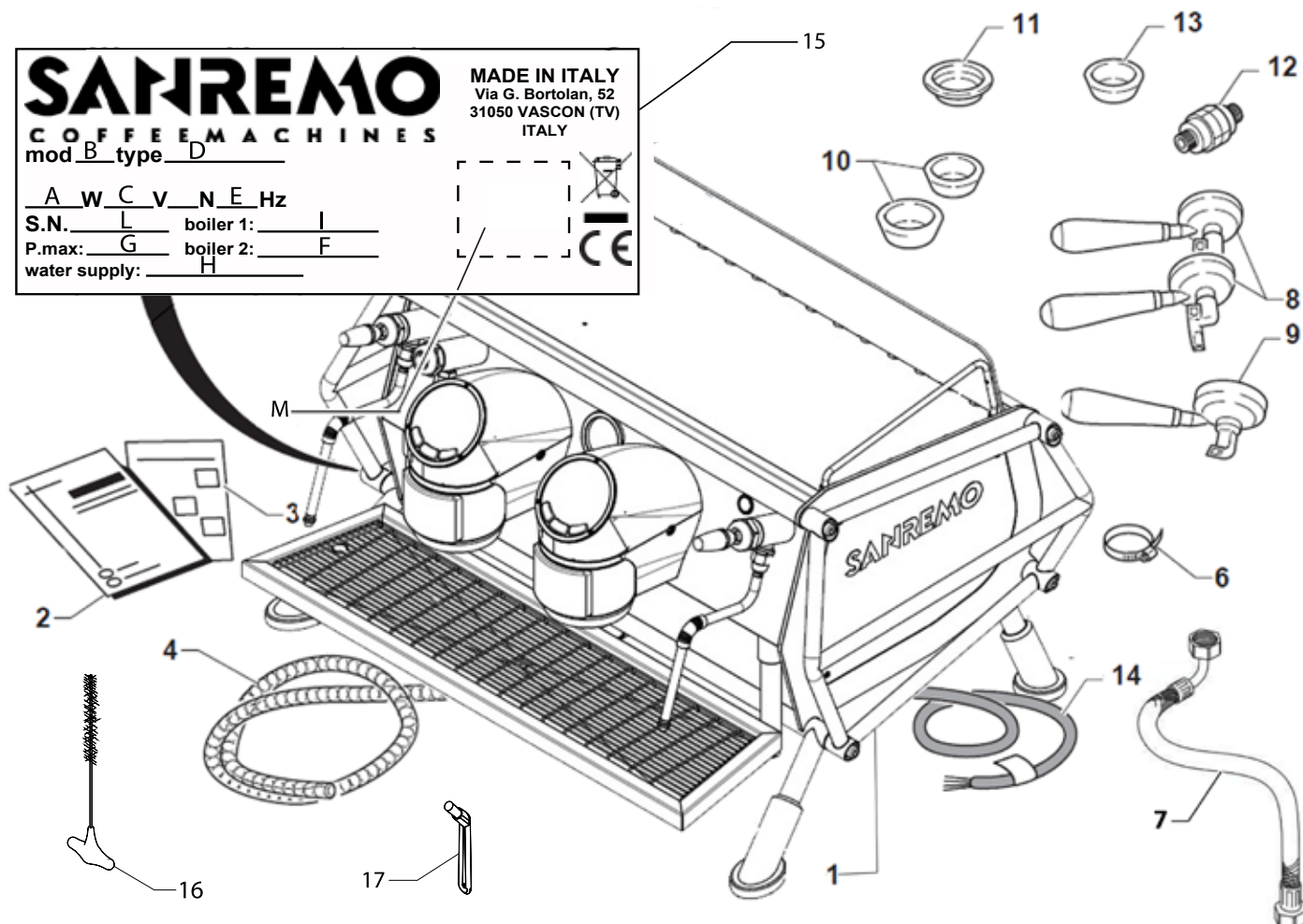
6.3 POSITIONING THE MACHINE

Position the machine in its definitive location, making sure that:

- 1) The machine must be used on a ground in raised position which cannot be the ground floor
- 2) The surface it rests on is sufficiently strong and stable to support the weight of the machine and that the top is perfectly horizontal;
- 3) There are at least 3,9 inch between the walls and the back and side panels of the machine to guarantee correct ventilation;
- 4) The top of the machine (cup warmer) is at least 59 inch from the floor;
- 5) Near the machine, there is a knock box to dispose of the grounds and a space for the grinder doser;
- 6) Near the machine, there is an electrical panel to connect the machine electrically, a drain and a tap to connect the water supply.

EN

7 IDENTIFYING THE COMPONENTS



LEGEND

- 1) Coffee machine
- 2) Instruction booklet
- 3) Declaration of conformity
- 4) Drain hose L= 78,7 inch
- 6) Hose clip
- 7) Water softener intake hose 19,7 inch
- 8) Double portafilter (2/3 pieces)
- 9) Single portafilter
- 10) Double filter (2/3 pieces)
- 11) Single filter
- 12) Water purifying filter
- 13) Blind filter
- 14) Power cable
- 15) Rating plate
- 16) Pipe cleaner
- 17) Cleaning brush

7.1 RATING PLATE

The rating plate gives the following data:

- A. Power
- B. Model
- C. Supply voltage
- D. Machine identification code
- E. Frequency
- F. Muximum pressure pre heating boiler (Boiler 2)
- G. Maximum pressure
- H. Inlet supply pressure
- I. Maximum pressure steam boiler (Boiler 1)
- L. Identification number
- M. Indentification of certifications

CONNECTIONS

8	CONNECTIONS	26
8.1	WATER CONNECTION.....	26
8.2	WARNING – CORRECT USE OF ROTARY PUMPS.....	27
8.3	ELECTRICAL CONNECTION	29

Chapter 8

EN



8 CONNECTIONS



IMPORTANT: the machine must be connected by a specialised authorised technician.

8.1 WATER CONNECTION

Drain

Near the machine there must be a drain (1) with siphon.



The drain siphon must be located at least 7,9 inch below the surface on which the machine stands.

Connect one end of the shortest drain hose(4) to the drain coupling on the machine (5) and the other end to the coupling on the tray (3) and fix with the hose clips (6).

- Connect one end of the longest drain hose (2) to the coupling (3) on the tray and the other end to the drain (1) prepared previously.

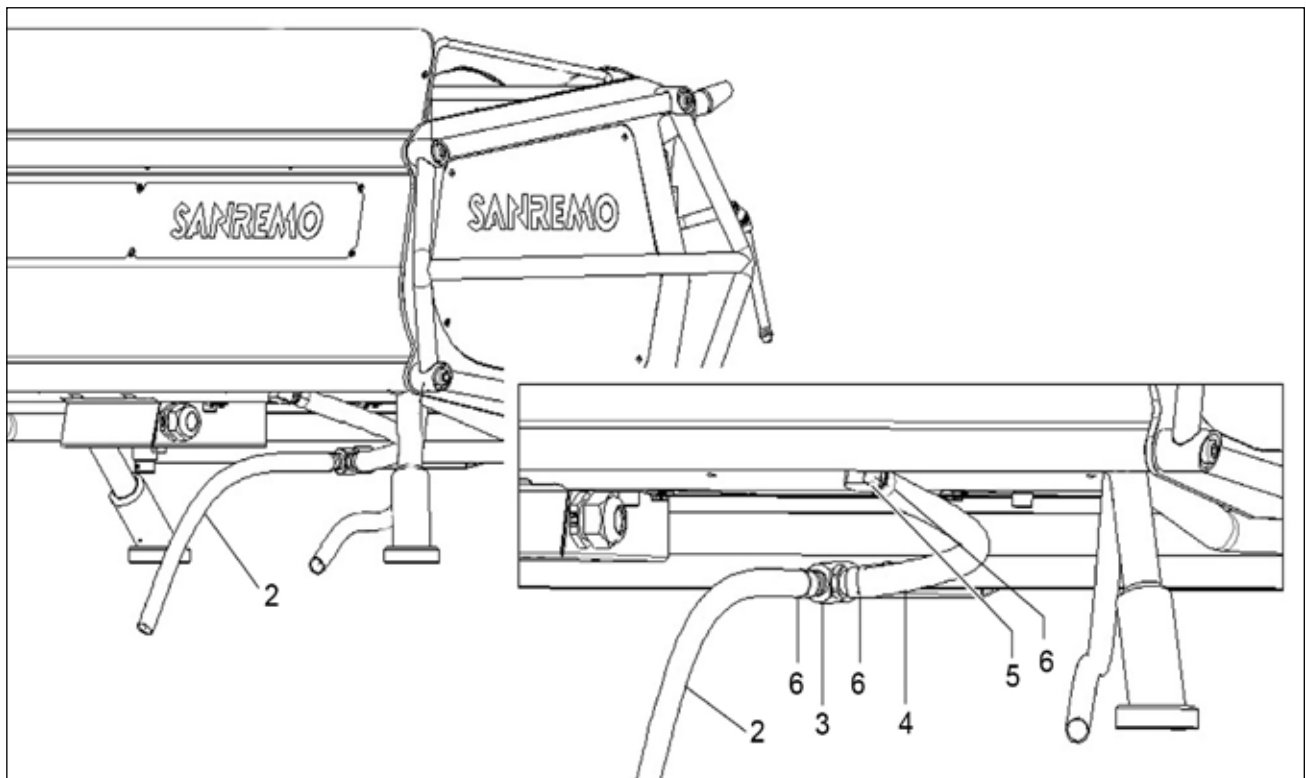


The machine must be connected to a mains water supply providing appropriately softened drinking water with a maximum hardness of 3.5/5 French degrees (60/85 ppm). Make sure the supply pressure does not exceed 6 bars (87 PSI). If the pressure is greater, install a pressure reducer.

Filling

Filling (for version with built-in pump)

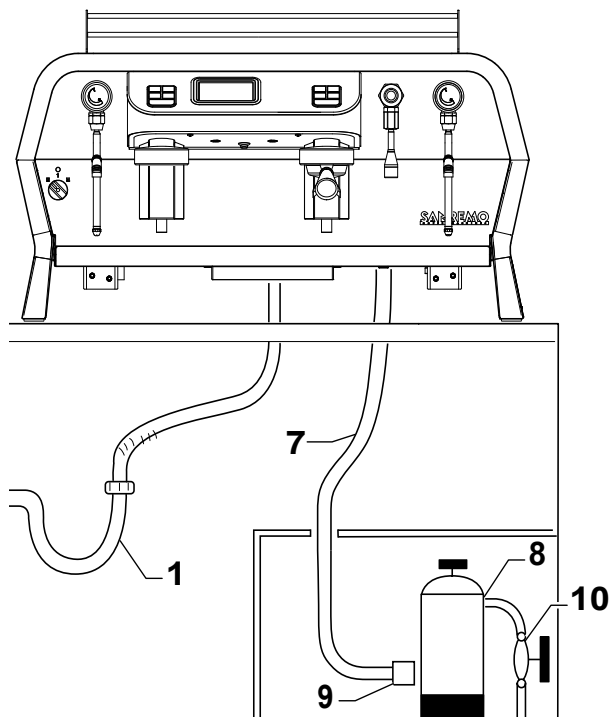
- Connect the intake hose (7) to a water softer (8), interposing the water purifying filter (9) supplied
- Install a splitter tap (10) before the water softener (8), to separate the machine from the mains water supply.



corresponding connector (14) on the machine.



For installation, use and maintenance of the water softener, follow the instructions in the relative manual.



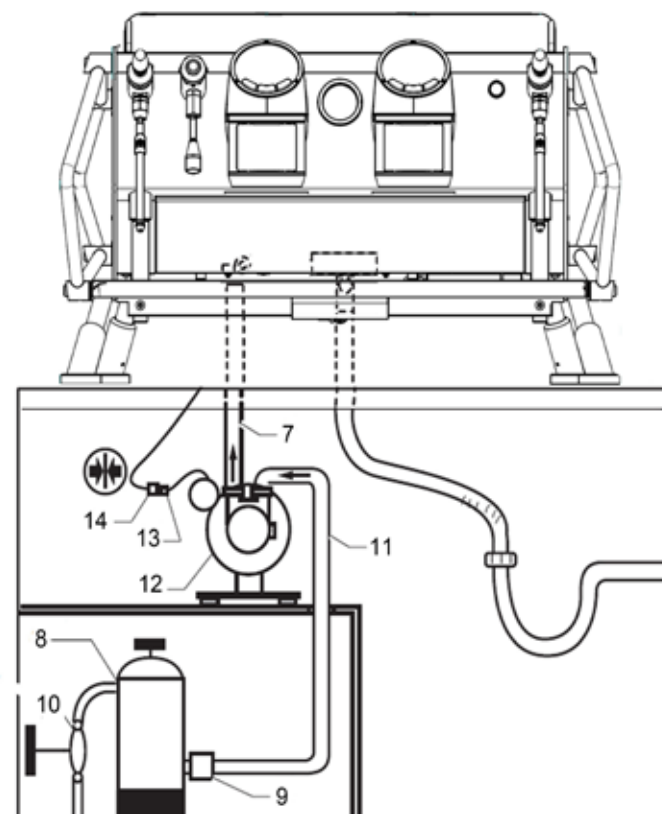
Filling (for version with external pump)

On request, the pump may be installed externally, rather than internally, proceeding as follows:



Position the pump away from heat sources and water jets on a horizontal surface adequately sized for the weight of the pump itself.

- The pump (12) must be positioned below the machine no further than 39,4 inch away, leaving at least 2 inch between the pump and the outer panels to avoid vibration transmission and guarantee correct air circulation.
- Connect the hose (7) coming out of the machine to the delivery coupling on the pump (12).
- Connect one end of the hose (11) provided to the intake coupling on the pump and the other end to a water softener (8), interposing the water purifying filter (9).
- Install a splitter tap (10) before the water softener (8), to separate the machine from the mains water supply.
- Connect the connector (13) on the pump to the



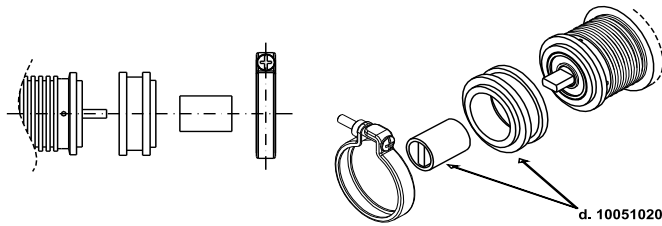
8.2 WARNING – CORRECT USE OF ROTARY PUMPS

1) Proper Alignment of Pump and Motor

On occasion the noise of a motor-pump assembly is caused by a poor alignment.

When the coupling between motor and pump is rigid, the pump rotor and the motor rotor may be out of axis. If this condition is maintained over time the most likely damage is seizure of the pump.

An efficient solution of this problem is the use of an elastic coupling between pump and motor. SANREMO supplies an optional kit code N. 10051020.



2) Quality of Water.

Tight mechanical tolerances of components and materials used for rotary vane pumps require a very clean water, free from suspended particles. Sand, deposits on connecting pipes or the resins of the sweetener, when flowing through the pump, may scratch graphite parts causing problems of insufficient pressure and flow rate.

If a closed loop hydraulic circuit is not available to guarantee a clean water and no sources of contamination SANREMO recommend to install a 5-10 micron filter between the sweetener and the pump.

Recommended filter: food approved polipropilene wire cartridge.

Keep the filter clean.: an upstream dirty filter will create cavitation and the pump will break shortly (see section 4).

3) Dry operation

Rotary vane pumps may operate in dry condition only for a very short time- few seconds!

Without a proper water cooling the temperature of the mechanical seal will increase very quickly with resulting breakage. The most likely impact is a remarkable leak visible from the four drain holes close to the motor clamp. For potential lack of feed from city water line SANREMO recommend the installation of a minimum pressure safety switch upstream from the pump.

In case of feed from a tank install on the tank a minimum level switch.

4) Cavitation

Cavitation shows when feed flow rate does not match the pump design requirement: most frequent causes are dirty filters, small diameter pipes, more users on the same line.

Opening of the safety valve (generally installed upstream from pump and filter) must happen before the pump start up. This will avoid cavitation. For the same reason closing of the safety valve

must be delayed after the pump shut down.

The most noticeable effect is an increase of noise. If cavitation continues the impact is the same as of dry operation.

5) Back Feed of Hot Water

If a non return valve between the pump and the hot water vessel is defective the pump may come in contact with hot water(194-212°F). Dimensional variations of components will cause seizure of the pump.

6) Wrong connections

Pumps connectors are 3/8"NPT(conical) or 3/8" GAS(cylindrical). Connectors with thread different from the recommended type are occasionally used. Sealing is made with a glue or with teflon tape. If the connector is forced it is possible to create beards; if excess sealing glue is used the extra quantity of glue may enter into the pump body.

In both cases it is likely to create a damage.

7) Pressure strokes

To avoid pressure strokes opening of solenoid valves installed downstream must happen before the start of the pump. For the same reason closing of the valve must be delayed after stopping of the pump.

A pressure stroke may break graphite parts and damage mechanical seal causing blockage of the pump and leaks.

8) Handling

A crash on the floor may create deformations that will jeopardize the tight mechanical tolerances of the pump components. For the same reason be very careful when clamping the pump to mount or demount connectors.

9) Scale build up

Scale deposits will quickly show on inner components when using hard water, not sweetened with ion exchange resins. Scale formation increases when the pressure relief valve is used as flow rate regulator: the rate of scale deposition increases with increasing of closed loop circulation. Scale deposits cause an increase of torque, occasional seizure of the pump or a reduction of operating pressure because the pressure relief valve cannot work properly.

To minimize this problem SANREMO suggest to use pumps with flow rate matching the hydraulic circuit features.

In some circuits it is advisable to periodically remove scale with a chemical treatment.

8.3 ELECTRICAL CONNECTION



- **Make sure all switches are in the OFF position before proceeding with electrical connection of the machine.**
- **The machine must be connected to an earth installation complying with the standards and regulations in force in the country concerned.**
- **Check that the machine voltage (see rating plate) corresponds to the voltage of the local mains power supply.**
- **In single phase configuration, the machine must be connected to a power line with a maximum impedance of (0.142+J0.089) Ohm.**

The machine is connected to the mains power supply by means of the power cable (2), including a differential circuit breaker (3) appropriately sized for the machine's power absorption.

Connect the machine according to the wiring diagrams in the figure

Equipotential connection (if present)

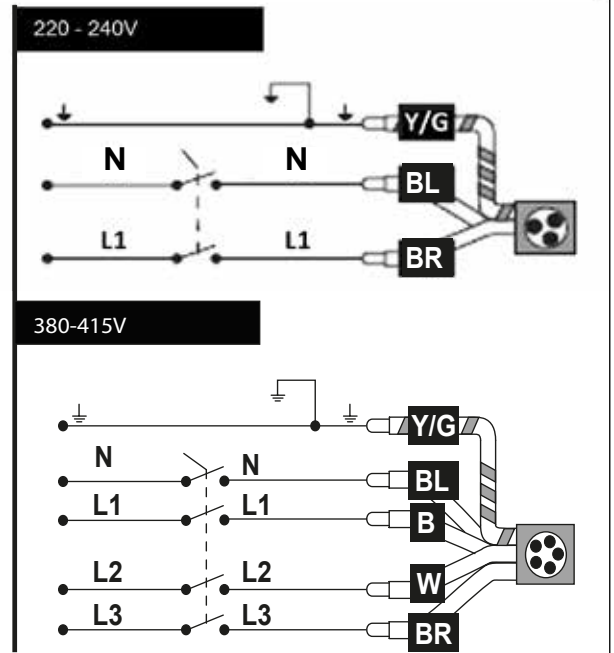
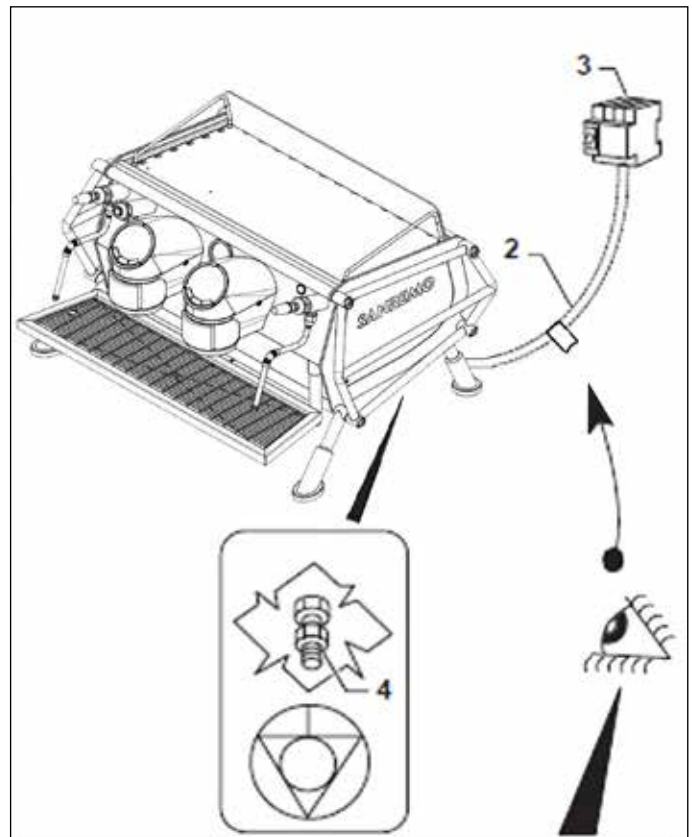
This connection (required by some standards) prevents differences in electrical potential between the earth connections of the devices installed in the same room.

Machines designed for this type of connection are provided with a specific terminal (4) on the bottom of the machine.

- Connect an appropriately sized external equipotential wire in compliance with current regulations and standards to the corresponding terminal (4).



Machines without an equipotential connection terminal may not be installed in kitchens.



G = Green
W = White
BL = Blue

B = Black
Y/G = Yellow/Green
BR = Brown



EN

COMMISSIONING

9	COMMISSIONING.....	32
9.1	FIRST START-UP.....	32

Chapter 9

EN

9 COMMISSIONING

9.1 FIRST START-UP



IMPORTANT: the machine must be started up for the first time by a specialised authorised technician.

- Open the water supply tap upstream of the machine.
- Power up the machine by placing the differential circuit breaker upstream of the machine in the ON position.
- Press the “ON/OFF” button (1). This lights up indicating that power to the machine is on. The displays (2 and 3) also light up
- The boiler starts to fill automatically with water and the graduated scale “A” flashes on the displays (2)
- When the MAX level is reached, the graduated scale “A” remains on steadily.
- At the end of filling, press the buttons to deliver water from the groups a few times without the portafilters in place.

If automatic filling does not take place within 120 seconds, the machine shuts down and the LEDs on the group button panels flash. Make sure the water supply tap is open. Turn the machine off then on again to complete filling of the boiler.

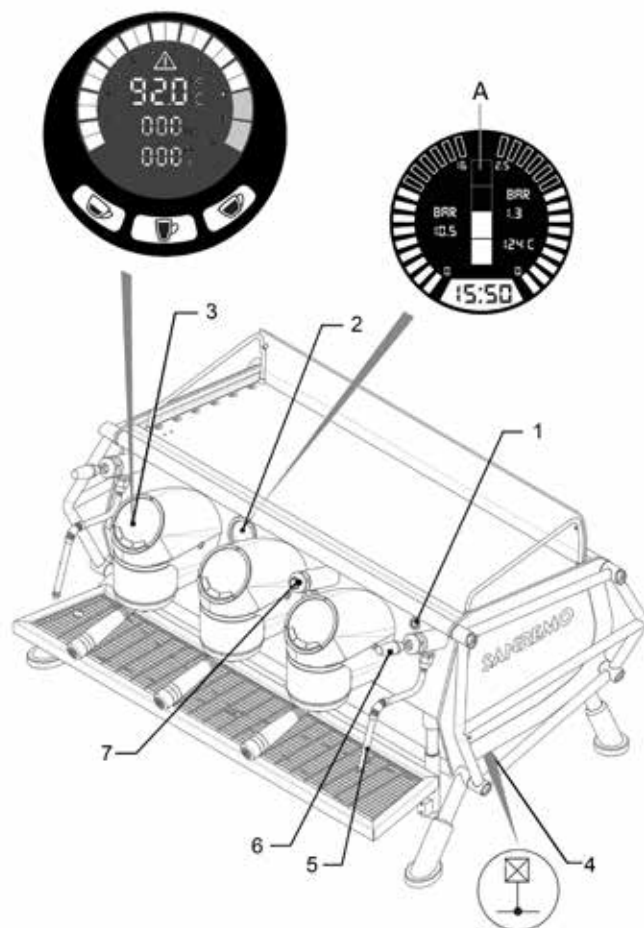


- Make sure the water flows out correctly by purging any air bubbles present in the circuit.
- Place the steam levers (6) in the open position until steam comes out of the steam wands (5), then return the levers (6) to the central position.



To completely eliminate all air bubbles from the circuit, press button 4

- Wait for the set steam temperature (255°F) and coffee water temperature (199°F) to be reached, indicated on the display (3) and the displays on the groups (2) respectively. On the display (2), check that boiler pressure is about 1 - 1.2 bars (14,5 - 17,4 PSI) and that the mains water pressure does not exceed 6 bars (87 PSI).
- Deliver water a few times by pressing button (7) to eliminate any air bubbles in the circuit.



- Place a jug with handle under the spout and deliver water by pressing button (7), making sure that delivery is correct. Water delivery stops automatically at the end of the set time.
- Position a jug containing water and insert the spout (5). Open the steam tap by moving the lever (6) from the vertical to the horizontal (360° opening) and

try heating the water.

Repeat the same operation with the spout on the other side of the machine.

- Attach the portafilters (9) to the group heads, position the cups underneath and perform a few deliveries, enabling the three brewing settings using the corresponding buttons (10). Check correct delivery of water into the cup.

IMPORTANT: We recommend the following maximum quantities:

- 100 cc maximum continuous delivery of coffee for each group
- 500 cc maximum continuous delivery of hot water
- 30 seconds continuous delivery of steam.

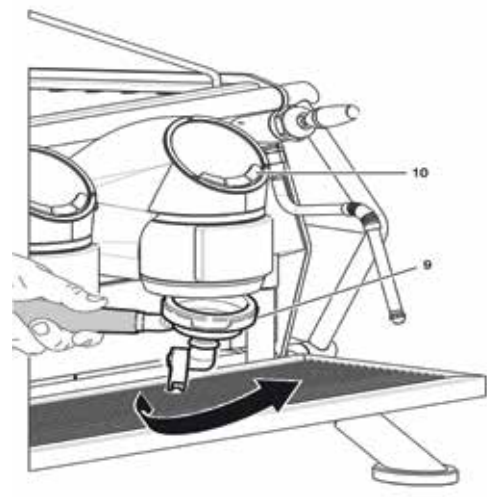
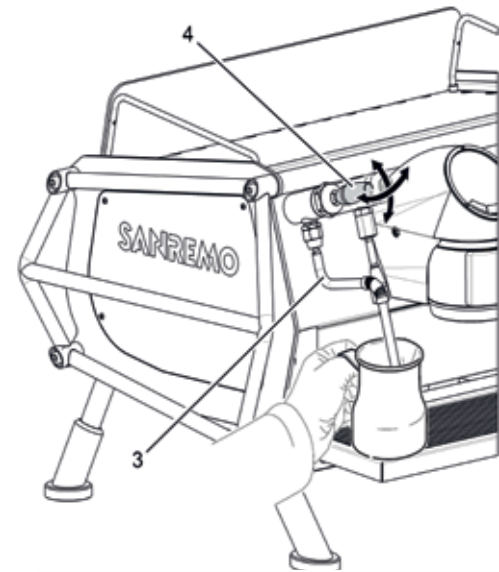
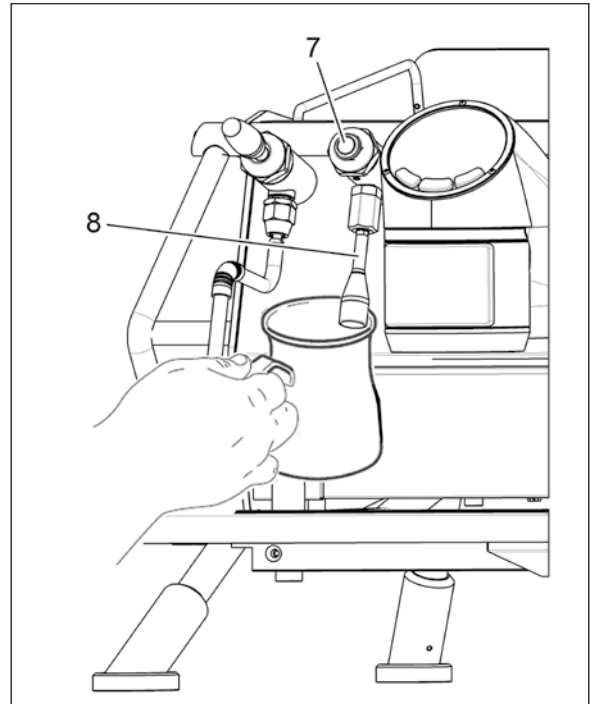


- Check that the pump pressure indicated on the display (2) after delivery is about 130 PSI.

IMPORTANT: Check that pump pressure during delivery is between 8 and 9 bars (116-130 PSI). If pressure is not within this range, it must be adjusted. To adjust, contact technical assistance.



- Turn the machine off by pressing button (1), the displays go off. Close the water supply tap.





EN

ADJUSTING THE FUNCTIONS

10	ADJUSTING THE FUNCTIONS	36
10.1	ADJUSTING THE GRINDER DOSER.....	36
10.2	TESTING COFFEE DELIVERY.....	36
10.3	FINAL CONSIGNMENT	36

Chapter 10

EN

10 ADJUSTING THE FUNCTIONS



Important: Some of the machine's functions (temperatures, language, etc.) may only be adjusted by a specialised authorised technician while the machine is in operation and exercising great care. The operations to be performed are described in the technical manual.

- Explain how to perform maintenance and cleaning operations to ensure correct care of the machine.
- At the end of installation, fill in the installation report.

10.1 ADJUSTING THE GRINDER DOSER



Install, adjust and prepare the grinder doser as described in the relative manual.

10.2 TESTING COFFEE DELIVERY

Deliver coffee a number of times following the instructions in chapter 11 and check the quality of the coffee.

- Deliver the coffee and check that 20-30 cc of coffee are delivered in 20-30 seconds;
- If this is not the case, the coarseness of the coffee must be adjusted on the grinder doser
finer grinding increases brewing time, coarser grinding reduces brewing time

Make sure the coffee delivered has the following characteristics:

- hazelnut coloured crema
- consistency with fine bubbles
- crema lasting more than 1 minute.



These indications are not binding as the correct quantity and therefore quality of coffee depends on the type of coffee, type of water and climate.

10.3 FINAL CONSIGNMENT

At the end of installation, proceed as follows:

- Train the personnel who will be operating the machine, preparing a number of test coffees, cappuccinos, etc....

OPERATING THE MACHINE

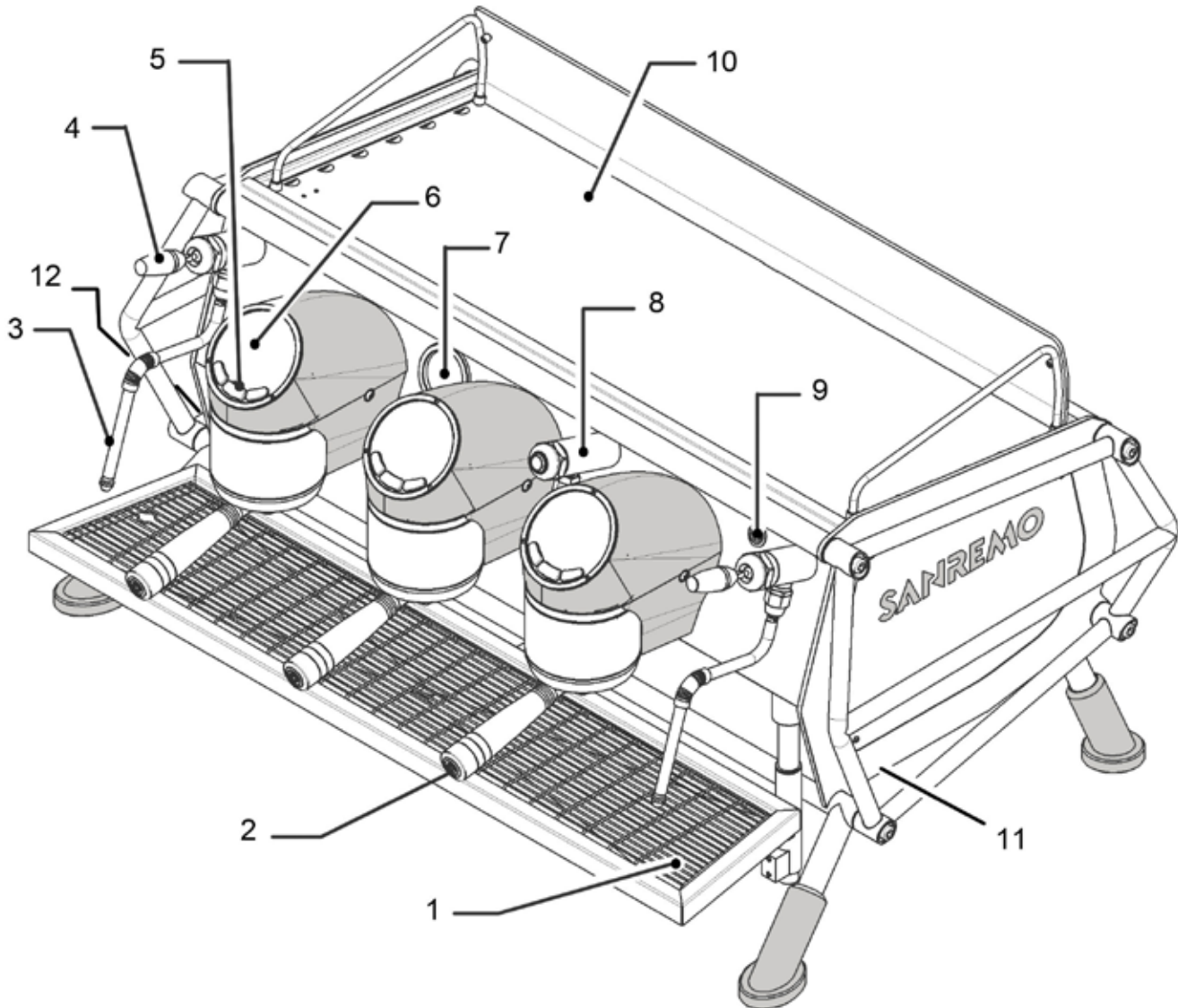
11	OPERATING THE MACHINE.....	38
11.1	DESCRIPTION OF THE COMPONENTS.....	38
11.2	DESCRIPTION OF THE CONTROLS.....	39
11.3	DISPLAY	40
11.4	MAKING COFFEE.....	40
11.5	MAKING CAPPUCCINO	42
11.6	HEATING DRINKS	43
11.7	MAKING TEA, CHAMOMILE, ETC.....	43

Chapter 11

EN

11 OPERATING THE MACHINE

11.1 DESCRIPTION OF THE COMPONENTS



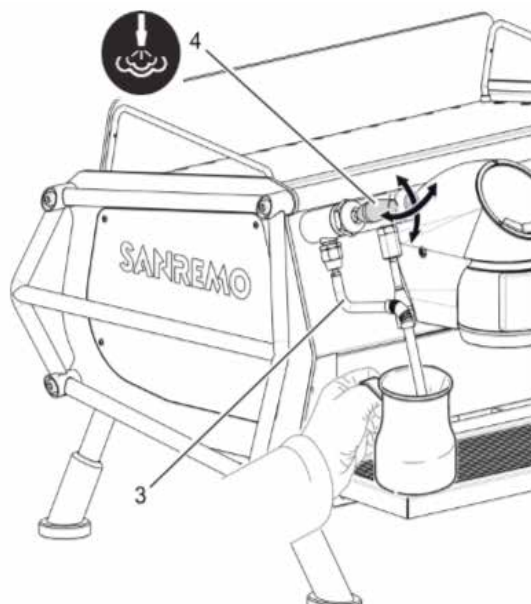
LEGEND

- | | |
|----------------------------|--------------------|
| 1. Tray | 7. General display |
| 2. Group with portafilter | 8. Water wand |
| 3. Steam wand | 9. ON/OFF switch |
| 4. Steam tap knob | 10. Cup warmer |
| 5. Button panel | 11. "Purge" button |
| 6. Group parameter display | 12. Lights button |

11.2 DESCRIPTION OF THE CONTROLS

• STEAM TAP KNOB (4)

Moving the knob (4) into any position commences steam delivery from the wand (3); to stop delivery, turn the knob back to the central position.

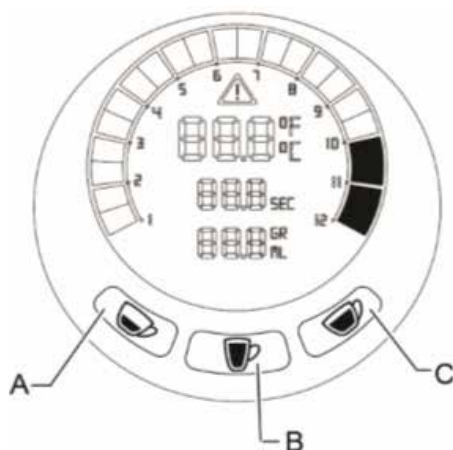


• BUTTON PANEL (5)

A. Espresso coffee button

B. Continuous delivery button

C. Long coffee button



Espresso coffee button (A)

To deliver one coffee:

Position a cup under the single portafilter, then press the button to start coffee delivery.

The LED on the selected button remains on

throughout delivery, while the others go off.

At the end of delivery, all LEDs on the buttons on the panel light up.

To deliver two coffees:

Position two cups under the double portafilter, then press the button twice to start coffee delivery.

The LED on the selected button flashes throughout delivery, while the others go off.

At the end of delivery, all LEDs on the buttons on the panel light up.



Continuous delivery button (B)

Position a cup suitably sized for the quantity of coffee required under the portafilter, then press the button to start coffee delivery.

The LED on the selected button remains on throughout delivery, while the others go off.

When the required amount of coffee is reached, press the button again to stop delivery. After 120 seconds, delivery stops automatically.

At the end of delivery, all LEDs on the buttons on the panel light up.



Long coffee button (C)

To deliver one coffee:

Position a cup under the single portafilter, then press the button to start coffee delivery.

The LED on the selected button remains on throughout delivery, while the others go off.

At the end of delivery, all LEDs on the buttons on the panel light up

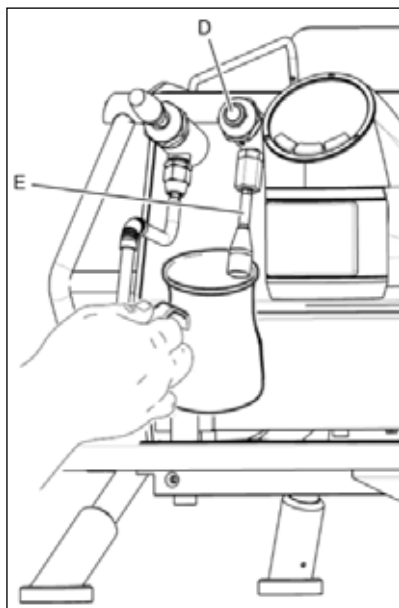
To deliver two coffees:

Position two cups under the double portafilter, then press the button twice to start coffee delivery.

The LED on the selected button flashes throughout delivery, while the others go off.

At the end of delivery, all LEDs on the buttons on the panel light up.

• **WATER WAND (8)**



Position a cup suitably sized for the required amount of water under the wand.

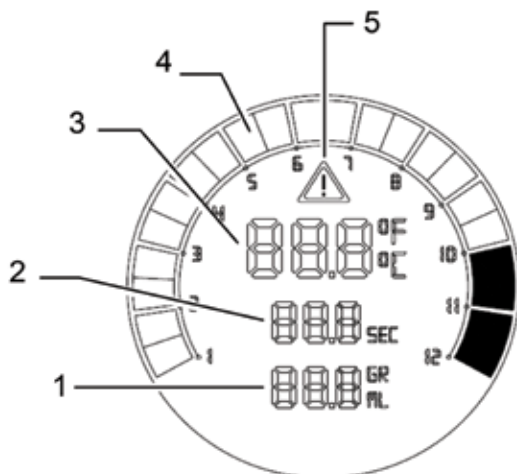
Press button (D) to begin delivery of hot water mixed to the required temperature from the diffuser spout (E).

Delivery stops automatically at the end of the set time. Delivery can be stopped by pressing button (D)

11.3 DISPLAY

During normal operation of the machine, the following screens are displayed; during programming, the screens appearing on the display are described in the corresponding chapter.

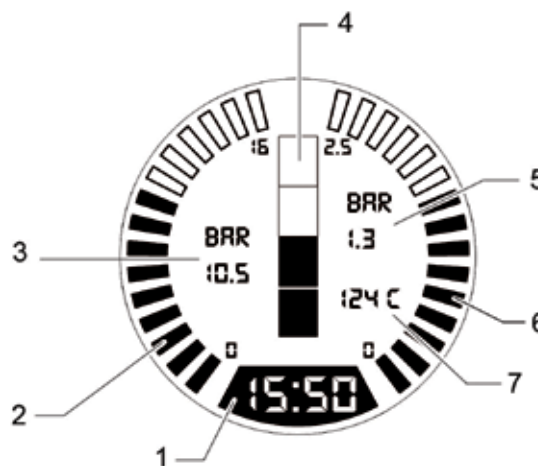
• **GROUP PARAMETER DISPLAY (6)**



The following information is displayed:

1. Volume (ml) of water required for the selected brewing
2. Coffee delivery time in seconds.
3. Temperature of the coffee water in the group.
4. Pump pressure gauge
5. Alarm - Malfunction

• **GENERAL DISPLAY (7)**



The following information is displayed:

1. Clock
2. Digital pump pressure gauge
3. Pump pressure
4. Steam boiler water level
5. Steam boiler pressure
6. Digital steam boiler pressure gauge
7. Steam boiler temperature

11.4 MAKING COFFEE

General rules for making good coffee

- The cup must be warm and should therefore be taken from the cup warmer. If cold, rinse with hot water.

If the cup is cold, the sudden temperature change would change the taste of the espresso.

- Never fill the portafilter unless you want to deliver coffee immediately. The ground coffee would "burn" in the group and the resulting espresso would be very bitter.
- We recommend you grind only the amount of coffee needed for immediate use. Ground coffee

left for long periods loses its aroma and the fat becomes rancid.

Delivering coffee

- Remove the portafilter (1) from the group head by turning it in the direction of the arrow, turn it upside down and knock it on the knock box (2) to empty the grounds .



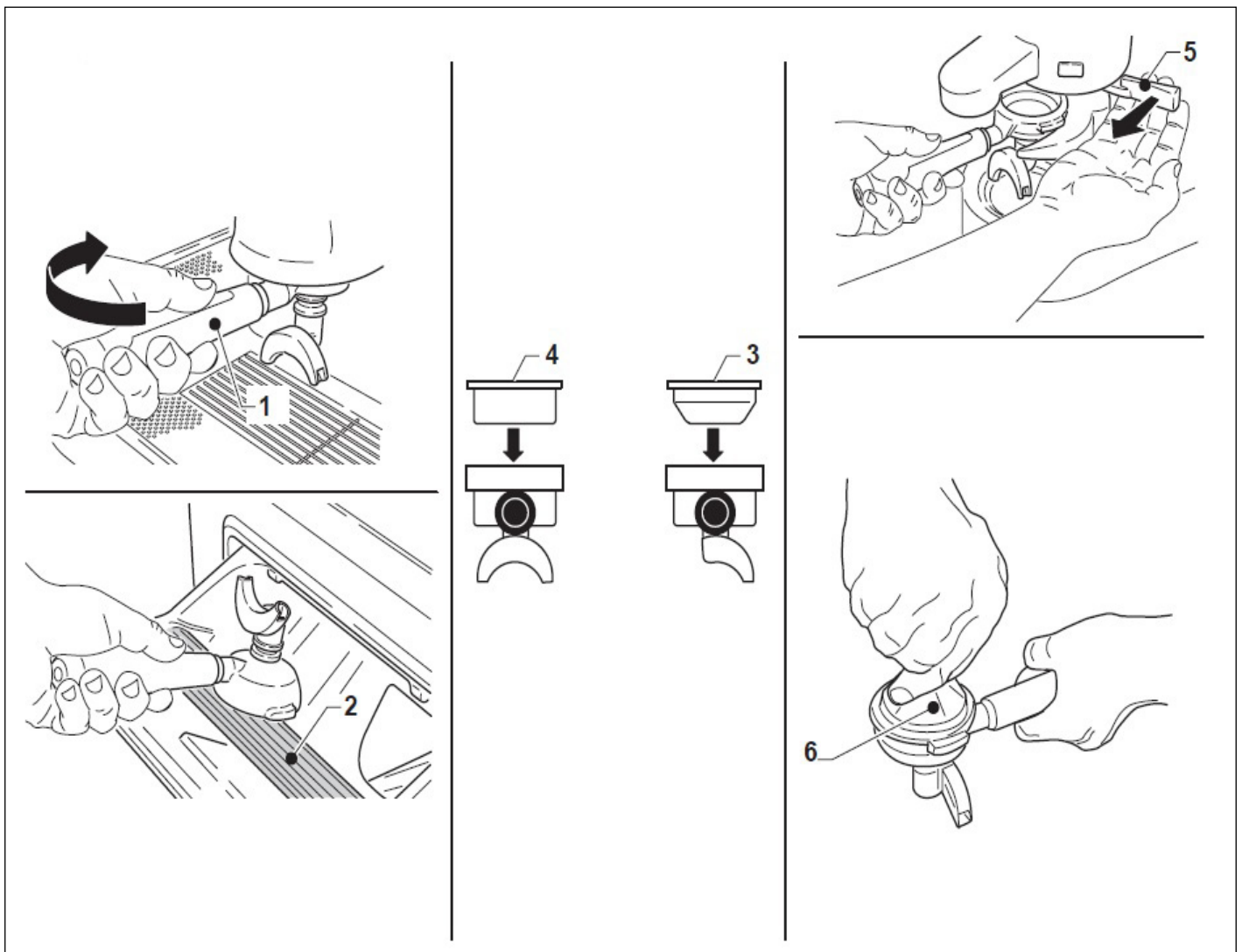
IMPORTANT: Never knock the porta- filter on an unprotected surface as this could damage the filter, impair- ing the seal.

- Use the filter for one coffee (3), or two coffees (4) as required.
- Position the portafilter (1) in the grinder doser; pull the lever (5) once for one coffee and twice for two coffees



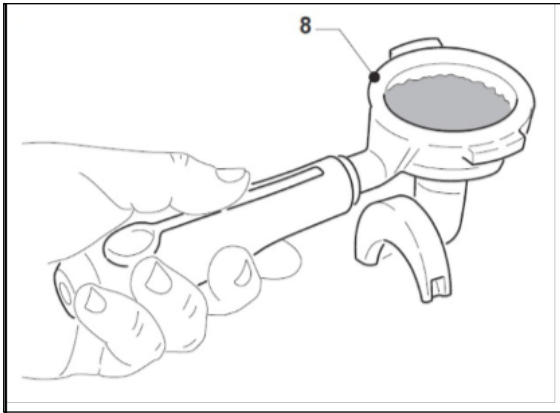
The grinder doser lever must be pulled fully, then released so that it returns automatically to the rest position.

- Tamp the coffee with the tamper (6).

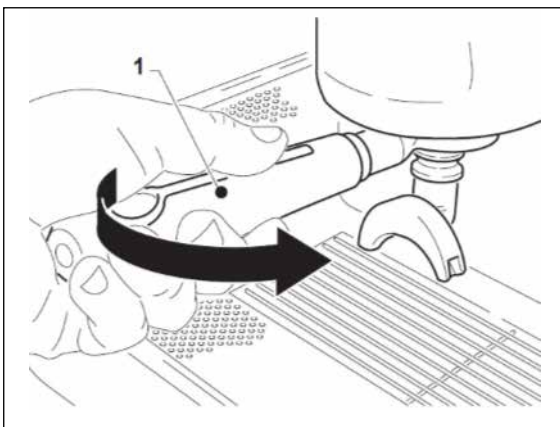


EN

- Clean the edge (8) of the portafilter. Leaving ground coffee on the edge of the filter could impair the gasket seal, causing the water and coffee grounds to leak



- Attach the portafilter (1) to the group head, turning it as far as it will go in the direction of the arrow.



- Position the coffee cup or cups under the portafilter
- Choose the type of coffee required

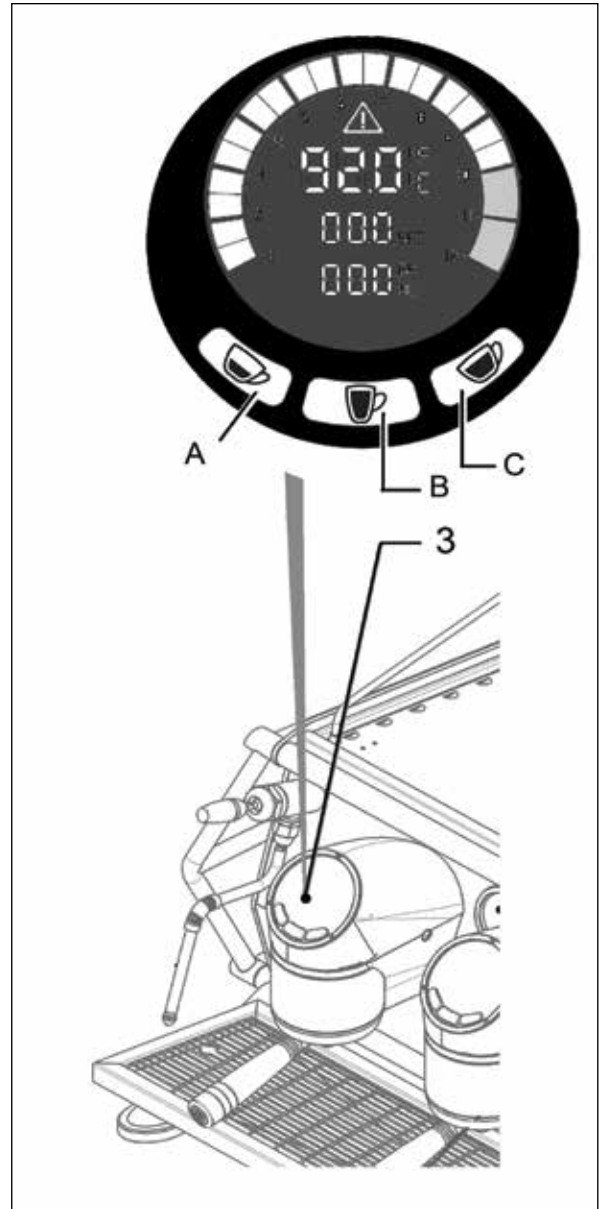
Button A = Espresso coffee

Button B = Continuous delivery

Button C = Long coffee

The LED on the button pressed lights up and the display (3) shows the extraction parameters

At the end of delivery, leave the portafilter attached to the group head until you want to make the next coffee.



11.5 MAKING CAPPUCCINO

To make a professional cappuccino, fresh milk (± 140 - 149 °F max) is frothed and the froth obtained is then poured onto an espresso coffee made previously.



IMPORTANT: Take care as the wand (1) becomes very hot and could cause burns. To move, hold by the rubber covered part (3) only.

- Pull out the wand (1) over the grille and action the steam lever (2) for one/two seconds to empty the wand of water.
- Pour the milk into the jug. Ideally use a stainless steel jug with a conical spout.

EN

One cappuccino requires about 125 cc (1/4 litre) of milk.

- Tilt the jug, keeping the spout of the steam wand (1) just below the surface of the milk. The wand must be neither at the centre of the jug, nor resting against the side.
- Action the lever (2) to start steam delivery. A vortex will be created in the jug and a dense creamy froth will be formed.
- When the maximum temperature of 149°F is reached, stop steam delivery by placing the lever (2) in the central position.
- Remove the steam wand from the jug, tap the bottom of the jug gently to stabilise the bubbles, then with an undulating movement, pour the froth onto the espresso coffee prepared previously.
- After making each drink, deliver steam for a few seconds to eliminate all residues. To prevent the formation of difficult to remove encrustations, clean before and after each delivery using a cloth reserved for this purpose and replaced regularly.

11.6 HEATING DRINKS

- Position the wand (1) over the grille and action the steam lever (2) for one/two seconds to empty the wand of water.
- Pour the drink into the jug. Ideally use a stainless steel jug with a conical spout.
- Insert the steam wand (1) in the jug and action the lever (2) to begin steam delivery.
- When the drink is hot, stop steam delivery by positioning the lever (2) in the central position.
- After making each drink, deliver steam for a few seconds to eliminate all residues. To prevent the formation of difficult to remove encrustations, clean before and after each delivery using a cloth reserved for this purpose and replaced regularly.

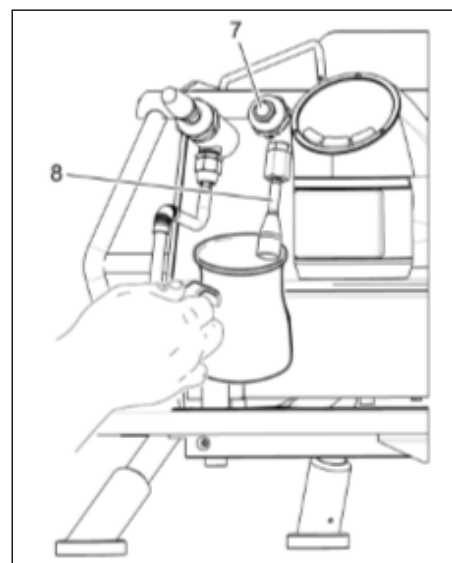


IMPORTANT: Take care as the wand (1) becomes very hot and could cause burns. To move, hold by the rubber covered part (3) only.



11.7 MAKING TEA, CHAMOMILE, ETC.

- Position the jug under the water wand (8).
- Press button (7) to deliver hot water; delivery stops at the end of the set time.
- Add the required product.





PROGRAMMING

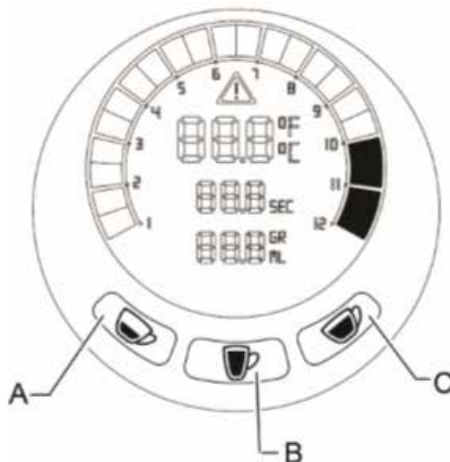
12	PROGRAMMING	46
12.1	- PROGRAMMING DOSES	46
12.2	PROGRAMMING FUNCTIONS USING THE GROUP PARAMETER DISPLAY	47
12.2.a	PROGRAMMING GROUP COFFEE WATER TEMPERATURE.	47
12.2.b	PROGRAMMING CUP WARMER TEMPERATURE AND ON/OFF.	48
12.2.c	PROGRAMMING PRE-BREWING	48
12.2.d	PROGRAMMING DOSES	48
12.3	PROGRAMMING FUNCTIONS USING THE GENERAL DISPLAY	49
12.4	EXITING PROGRAMMING	51
12.5	PURGING THE COFFEE CIRCUIT	51
12.6	'ENERGY SAVING' FUNCTION	51

Chapter 12

EN

12 PROGRAMMING

The machine can be programmed using buttons A, B and C on the groups



PROGRAMMING DOSES
SELECT IN 30 SEC

12.1 - PROGRAMMING DOSES

The amount of coffee can be programmed for all buttons, except the continuous delivery button (B).



IMPORTANT: By programming the left keyboard automatically, the programmed doses are transferred to the other push buttons

- The coffee doses can be customised separately for each group by repeating for that group the programming operations performed on the first group on the left.

Programming coffee doses

Turn the machine on as described in the relative chapter.

To programme the coffee doses, proceed as follows:

- Attach the portafilter with the coffee to the left hand group as described in the chapter "Operating the machine".
- Position one or two cups under the group depending on the brewing you want to programme.
- Press and hold the button (B) for at least 5 seconds until the light on the button flashes and "Programming doses Select in 30 secs" flashes on the display:

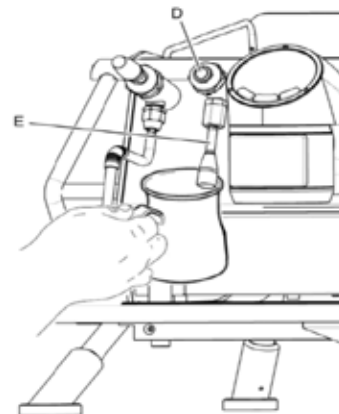
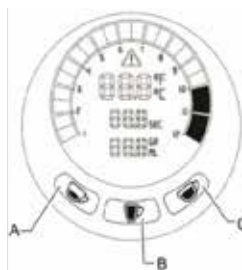
- Within 30 seconds, press the button corresponding to the type of coffee you want to programme (for example, button (A) for a single espresso coffee).

During delivery, the LED on button (A) remains on steadily, the other buttons go off and the LED on button (B) flashes.

- When the required amount of coffee has been delivered into the cup, press button (A) to stop delivery. The amount of coffee delivered for that button will be saved.
- If necessary, repeat the above operations to also programme the other buttons. The machine exits programming mode automatically 30 seconds after the last button has been pressed.

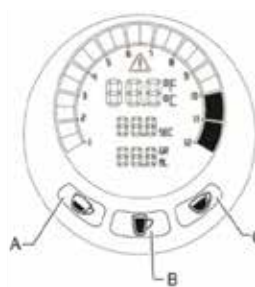
Programming quantities for tea

- Access programming mode as described for coffee, then when button (B) flashes, press button (D) to start delivering hot water. When the required amount has been reached, press button (D) again to stop delivery.
- The machine exits programming mode automatically 30 seconds after the last button has been pressed.



12.2 PROGRAMMING FUNCTIONS USING THE GROUP PARAMETER DISPLAY

To enter the settings menu, press button (B) on the first group and button (D) together..



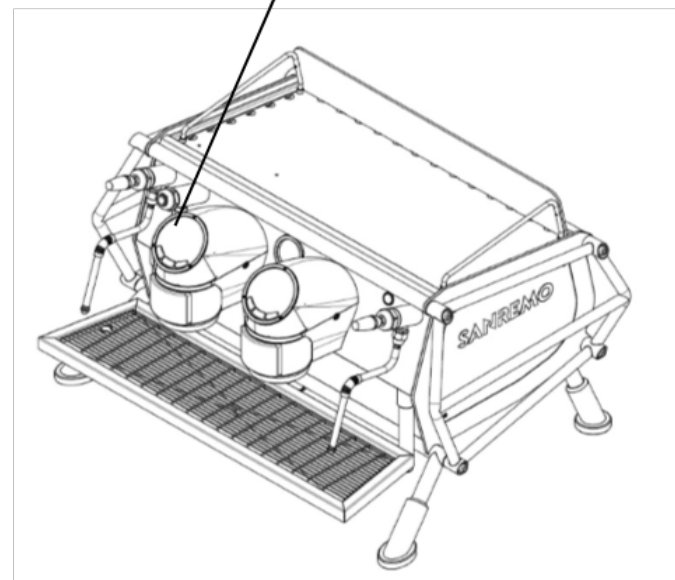
- To move onto the next function, press button (B)
- The functions can be customised separately for each group by repeating on that group the programming operations performed on the first group on the left.

12.2.a PROGRAMMING GROUP COFFEE WATER TEMPERATURE

The following screen is displayed:



- To vary the temperature, press buttons (A) and (C) to reduce or increase respectively the set value;
- Press button (B) to save the set value and move onto the next function.



The following can be modified using the display (3):

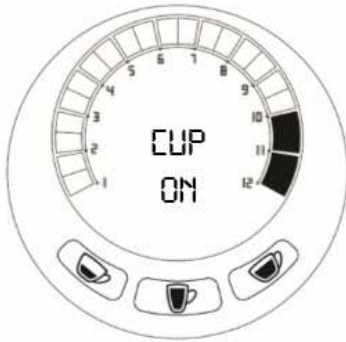
- Group coffee water temperature settings;
- Cup warmer temperature and ON/OFF settings;
- Pre-brewing settings;
- Dose settings



IMPORTANT: The cup warmer can only be programmed from the left button panel.

12.2.b PROGRAMMING CUP WARMER TEMPERATURE AND ON/OFF

The following screen is displayed:



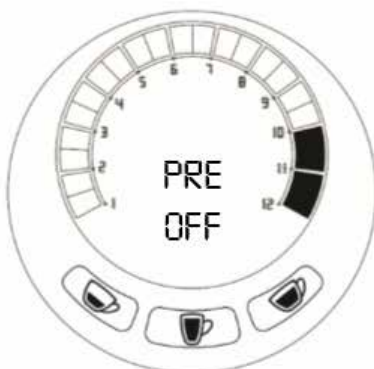
- The cup warmer can be "ENABLED" or "DISABLED" by pressing button (A) or (C).
- When enabling the cup warmer function by pressing button (B), the following screen appears:



- To vary the temperature of the cup warmer, press buttons (A) and (C) to reduce or increase respectively the set value;
- Press button (B) to save the set value and move on to the next function.

12.2.c PROGRAMMING PRE-BREWING

- The following screen is displayed:



- The pre-brewing function can be "ENABLED" or

"DISABLED" by pressing button (A) or (C).

- When enabling the pre-brewing function by pressing button (B), the following screen appears:



- To vary the duration of the pre-brewing function, press buttons (A) and (C) to reduce or increase respectively the set value;
- Press button (B) to save the set value and continue programming pre-brewing for the other available brews:

P 1	Single espresso coffee
P 2	Single long coffee
P 3	Double espresso coffee
P 4	Double long coffee

Press button (B) to move on to the next function.



IMPORTANT: Pre-infusion can not be activated on the button "B".

12.2.d PROGRAMMING DOSES

The following screen is displayed:



- To vary the quantity of water used to deliver the coffee, press buttons (A) and (C) to reduce or increase respectively the set value;
- Press button (B) to save the set value and

EN

continue programming the doses for the other available brews:

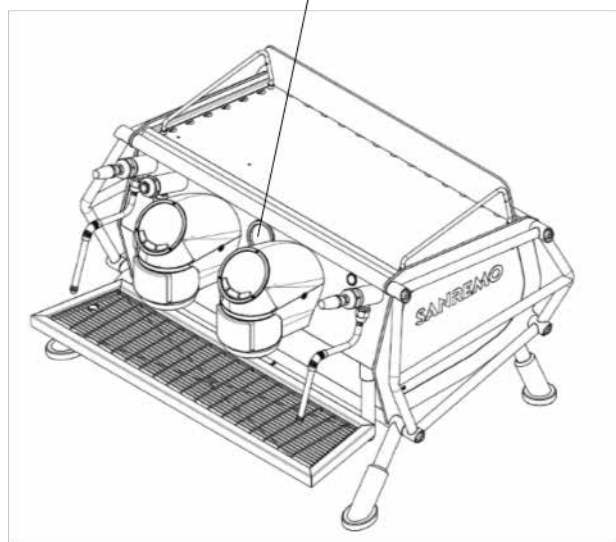
D 1	Single espresso coffee
D 2	Single long coffee
D 3	Double espresso coffee
D 4	Double long coffee
DC	Middle button (B)

- Press button (B) to exit function programming mode .



IMPORTANT: After programming middle button, it is possible to have continuous delivery by pressing twice the button (B)

12.3 PROGRAMMING FUNCTIONS USING THE GENERAL DISPLAY



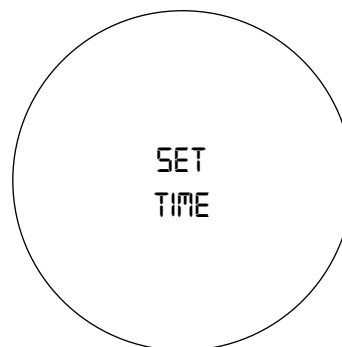
The following functions can be programmed and viewed through the display (2):

- Time, auto-on/auto-off and day of the week settings;

- Statistics;
- Complete washing of the groups.

To enter this settings menu, press and hold button (B) on the first group for 10 seconds.

The following screen is displayed:



- To modify the time settings, press button (A) on the second group.
- To move on and modify the next function, press button (B) on the first group

If you have chosen to modify the time settings, the following screen will be displayed:



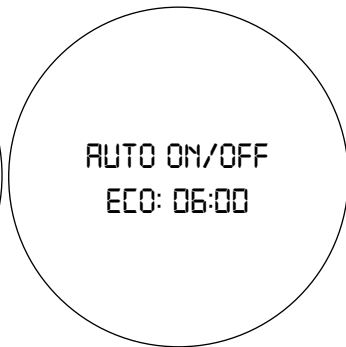
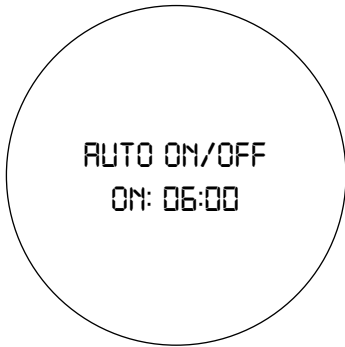
The modifiable value flashes. To change the value, press buttons (A) or (C), then press button (B) to confirm the choice and move on to the next value to be set.

Press button (B) to set the auto-on time.

As an alternative to the OFF mode, it is possible to set the ECO mode that keeps the machine active during the ECO3/ECO4 phase of "Energy saving" mode explained in the relevant chapter.

The following screen will be displayed:

EN



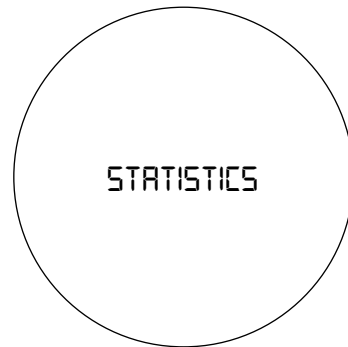
To change the values, press buttons (A) or (C), then press button (B) to confirm the choice and move on to the next values to be set .

- The rest day is set by buttons (A) and (C).
- After setting the rest day, to continue modifying the other functions, press button (B).

The following screen is displayed:

IMPORTANT: once the time has been set on the auto-on screen, the machine will come on automatically at the set time, ready to deliver coffee when the operator arrives. To disable the auto-on function, set the time to "--:--".

The machine comes on automatically if the function is enabled (time set) and the machine has been turned off from the display (see the chapter "Turning the machine ON/OFF") or with the auto-off function.



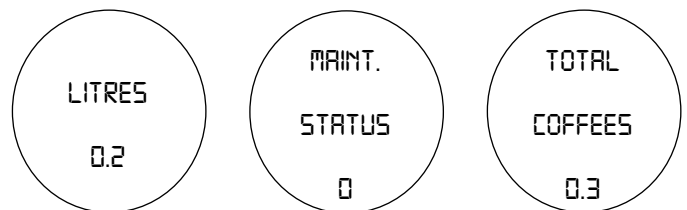
The next screens accessed by pressing button(B) display statistics on:

- litres of water delivered to make coffee
- maintenance status
- total coffees delivered



- A rest day can be set, preventing the machine from coming on automatically on that day.

The following screen will be displayed:



Press button (B) to select simultaneous washing of all group heads.

Complete washing of the group heads can be activated by pressing button (A) or (C) to select "YES" or "NO" from the following screen:



IMPORTANT: before commencing the complete wash, prepare the machine as described in the chapter “Automatic washing of the groups”.

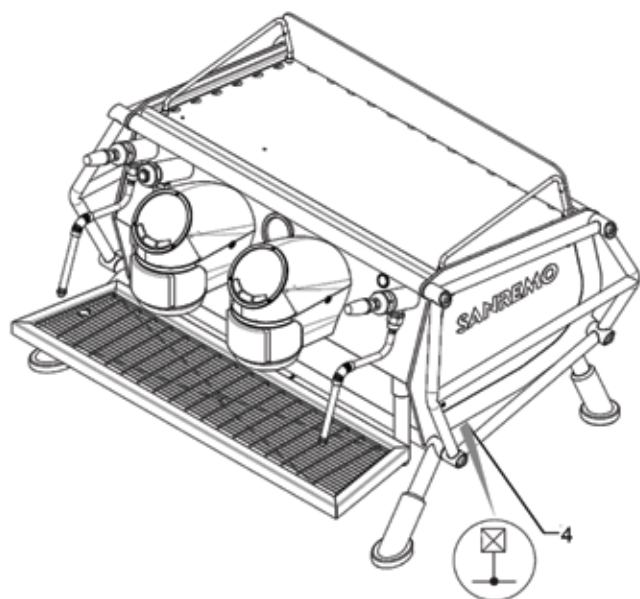
12.4 EXITING PROGRAMMING

Press button (B) to exit programming mode and go back to the main display.

12.5 PURGING THE COFFEE CIRCUIT

Be recommend to control the coffee circuit regularly (once a week) pushing the PURGE button (4) for at least 30 seconds.

This eliminates any air bubbles formed accidentally, thus ensuring that the programmed doses remain constant.



12.6 ‘ENERGY SAVING’ FUNCTION

The machine features an ‘Energy saving’ function (disabled by default) that allows setting it to energy saving mode automatically after 90 minutes of inactivity (neither coffee nor hot water are being dispensed). The mode is divided into 4 different phases (applied to all the units at the same time):

ECO 1: after one hour of inactivity, the setpoint of pre-heating unit and boiler decreases by 50°F as compared to their standard setpoint and the service boiler sets to 246°F.

ECO 2: three hours after ECO 1, the setpoint of pre-heating unit and boiler decreases by 68°F as compared to their standard setpoint and the service boiler sets to 212°F.

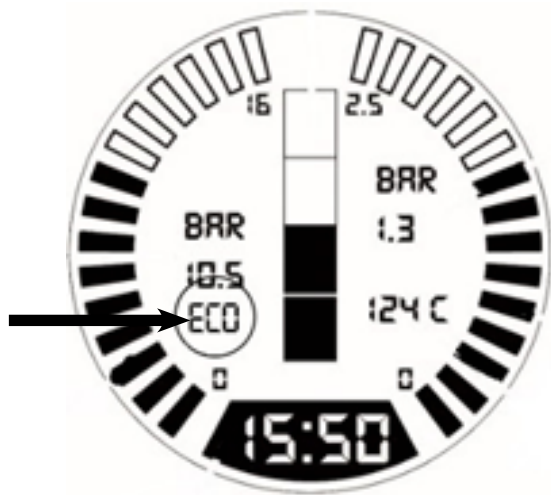
ECO 3: one hour after ECO 2, the setpoint of pre-heating unit and boiler sets to 122°F and the service boiler sets to 176°F; the cup warmer turns off.

Then there is the ECO 4 phase, activated when the service boiler temperature drops below 140°F, which sets the boiler back to 176°F for cyclical return to the ECO 3 phase.

All the unit displays show the current ECO phase of the machine.

This mode can be exited with the time scheduler or by shortly pressing the flashing button (C) of unit 1; normal temperatures and cup warmer status will be restored.

To enable this automatic function, access the unit menu by pressing first the key (B) and then the key (D), while still holding the key (B) down; the second item of the menu is the “ECO” indication, use the keys (A) and (C) to choose between OFF and ON and the key (B) to confirm the selection. If ON is selected, the machine display shows the “ECO” indication as shown in the image:



Even when the automatic access to Energy Saving mode is disabled, it is still possible to activate such function manually with the following sequence of keys repeated twice: press the key (B) and then the key (C), while still holding the first unit key (B) down. The machine immediately enters the ECO 1 phase and then the entire cycle is carried out automatically as described above.

Press the flashing key (C) of unit 1 to exit this mode. If the scheduler is active, the machine remains in Energy saving mode until the next switching on time slot.

TURNING ON/OFF - ALARMS

13	TURNING THE GROUPS ON/OFF	54
14	TURNING THE MACHINE ON/OFF	54
15	ALARMS.....	54

Chapter 13 - 14 - 15

EN

13 TURNING THE GROUPS ON/OFF

The heating of one or more groups can be turned on and off.

To turn the group off, press buttons (B) and (C) on the relative button panel together.



IMPORTANT: Turning off the button panel on the left automatically turns off all the others.

When the group is turned off, the following screen is displayed:



To turn the group on again, press buttons (B) and (C) together.

14 TURNING THE MACHINE ON/OFF



IMPORTANT: We recommend turning the machine off only if it will not be used for more than 8 hours. This limits the build up of scale and saves electricity.



IMPORTANT: Before turning the machine off, clean as described in chapter 19

- If the auto-on function is active, turn the machine off by pressing buttons (B) and (C) on the first group together and leave the main switch in the ON position.
- In this state, to turn the machine on before auto-on is activated, press button (C) on the first coffee group.

- If the auto-on function is not active, turn the machine off by placing the main switch in the OFF position, turn off the differential circuit breaker upstream of the machine and close the water supply tap.

15 ALARMS

No coffee/water delivered by group

- If the group does not deliver coffee or (with the portafilter removed) water, the selected button flashes to indicate the alarm.

Machine in standby

- If the machine accidentally switches to standby mode, the display goes off and the LED on button (C) of the first left hand group flashes.
- To exit standby, press button (C) and the machine comes on again.

Filling alarm

- If the machine detects anomalies with filling or topping up the boiler with water, 120 seconds after the start of filling, an alarm is triggered and the steam boiler fill scale flashes on the display (2).
- To reset the alarm, check the water supply circuit. When the water supply has been restored, the alarm resets automatically.

TROUBLESHOOTING

16 TROUBLESHOOTING56

Chapter 16

EN

16 TROUBLESHOOTING

Below is a list of faults and malfunctions which could arise while using the machine.

For all problems not included in this table, contact technical assistance.

PROBLEM	CAUSES	REMEDY
The boiler fill level display flashes	The mains water or purifying filter taps are closed	Open the tap
	Boiler fill malfunction	Turn off power for at least 5 seconds, then turn on again by pressing the ON/OFF button
		Call technical assistance
No water is delivered from the group	The mains water or purifying filter taps are closed	Open the tap
	The filter on the water intake coupling is clogged	Remove and clean
	Clogged gicleur	Check regeneration of the water purifying filter
The water does not heat up	Heating element burnt out	Call technical assistance
	Temperature sensor malfunction	Call technical assistance
Continuous water fill (the water level flashes on the display)	Faulty level sensor	Call technical assistance
The doses delivered are not regular	Faulty volumetric doser	Call technical assistance
The steam wand leaks with the tap closed	Faulty gasket	Call technical assistance
Steam leaks from under the tap knob when open	Faulty tap spindle seal	Call technical assistance
Insufficient coffee is used	The ground coffee is too fine or too coarse	Call technical assistance
	Shower screen and filters partially clogged	Check grinding time and/or adjust grinding coarseness

Coffee leaks from between the group head and portafilter during delivery	Faulty group head gasket or uneven filter edge	Call technical assistance
Coffee leaks from the edges of the portafilter	Dirt in the portafilter prevents coffee from being delivered from the spout	Clean
	Worn group gasket	Replace
	Shower screens clogged	Clean or replace
The coffee is too cold	Machine not ready	Wait for the temperature to be reached
No hot water is delivered	Water supply tap closed	Open the tap
	Faulty delivery solenoid valve	Call technical assistance
	Delivery circuit clogged	Call a technician to descale the machine
Coffee is delivered too slowly or not at all	Insufficient water supply	Check the water supply line
	Portafilter delivery hole blocked	Clean the portafilter thoroughly with specific detergent or a toothpick
	Coffee ground too fine	Adjust the grinder doser
No steam is delivered	Delivery nozzle obstructed	Clean
	Delivery circuit clogged	Call a technician to descale the machine
	Faulty steam tap	Call technical assistance

EN



DECOMMISSIONING AND CHECK

17	TEMPORARY DECOMMISSIONING	60
17.1	STARTING UP THE MACHINE AGAIN.....	60
18	CONTROLLING THE MACHINE AFTER PROLONGED.....	60

Chapter 17 - 18

EN

17 TEMPORARY DECOMMISSIONING

If you will not be using the machine for a long period, proceed as follows:

- Perform maintenance.
- Disconnect the water and electricity supplies.
- Empty the water in the boiler by proceeding as follows:
- Remove the top cup warmer (1).



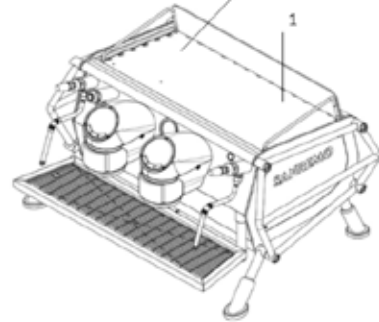
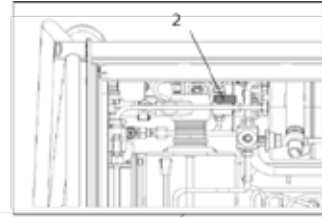
IMPORTANT: Before doing this, make sure power to the coffee machine is off (power turned off up- stream of the machine), the water supply tap upstream of the machine is closed and the water in the boiler is cold.

- Drain the water from the boiler by opening the drain tap (2).
- Cover the machine with a cotton cloth and store in a dust and damp free place.

17.1 STARTING UP THE MACHINE AGAIN

To use the machine again, proceed as follows:

- Clean the machine thoroughly.
- Deliver water from the splitter tap upstream of the machine to eliminate residues from the circuit.
- Clean or replace the filters upstream of the machine.
- Close the drain tap (2) and remount the cup warmer
- Perform the start-up operations described in the relative chapter.



18 CONTROLLING THE MACHINE AFTER PROLONGED



IMPORTANT: After prolonged inactivity, the machine must be controlled by a specialised technician.



Before using the machine, the following operations must be performed:

- Clean the machine thoroughly.
- Deliver water from the splitter tap upstream of the machine to eliminate residues from the circuit.



- Clean or replace the filters upstream of the machine.
- Reconnect the water and power supplies as described in the chapter "Installation" in this instruction booklet.
- Check there are no leaks in the water supply line.
- Start up the machine and perform the first start-up procedure described in chapter 4 of this instruction booklet.

CLEANING

19	CLEANING	62
19.1	GENERAL CLEANING WARNINGS	62
19.2	ROUTINE MAINTENANCE	62
19.2.a	AUTOMATIC WASHING OF THE GROUPS	62
19.2.b	COMPLETE WASHING OF THE GROUPS	63
19.2.c	DAILY CLEANING	63
19.3	-SCHEDULED MAINTENANCE (TECHNICIAN)	64
19.4	EXCEPTIONAL MAINTENANCE (TECHNICIAN).....	65

Chapter 19

EN

19 CLEANING

19.1 GENERAL CLEANING WARNINGS

The following is prohibited:

- Cleaning the machine with water jets.
- Using alcohol or ammonia based detergents or abrasive pads to clean the machine. USE detergents specifically for cleaning coffee machines or crockery only.
- Care must be taken when cleaning the machine and/or installation with detergents to avoid deterioration to components and the environment (more than 90% degradable).
- Clean all parts and components of the machine completely.
- Cleaning and user maintenance shall not be made by children without supervision.



IMPORTANT: All maintenance operations must be performed with the machine off and cold and with the main switch in the "O" OFF position. Certain maintenance operations must be performed while the machine is in operation and exercising great care



IMPORTANT: To regenerate or service the water softener, follow the instructions in the relative manual.

19.2 ROUTINE MAINTENANCE

Routine maintenance includes all operations which must be performed daily after using the machine.

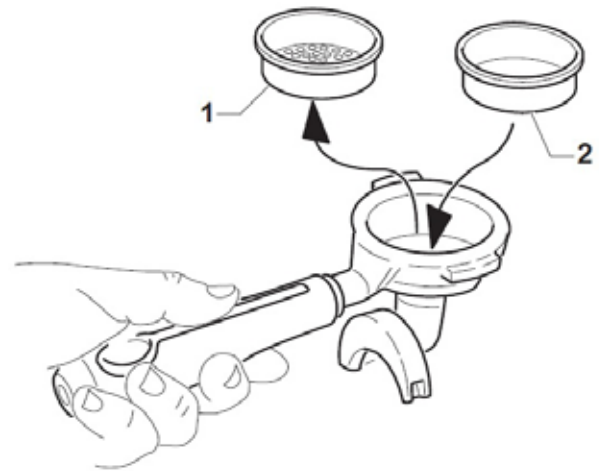
19.2.a AUTOMATIC WASHING OF THE GROUPS



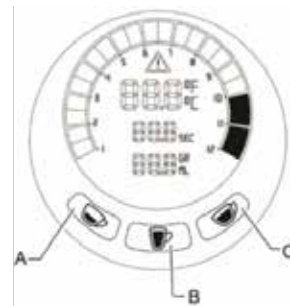
IMPORTANT: Automatic washing of the groups is carried out with the coffee machine in operation.

- Remove and empty the portafilter.
- Remove the filter (1), insert the blind filter (2)

and add specific detergent for coffee machines. For quantities, follow the instructions on the detergent pack



- Replace the portafilter on the machine and press buttons (A) and (B) on the group together. The washing cycle starts automatically and the LEDs on buttons (A) and (B) flash.
- At the end of washing, the LEDs on buttons (A) and (B) go off.



- Remove the portafilter and empty the dirt contained in the blind filter by rinsing under running water.
- Put the filter back in the group and repeat the washing cycle without detergent in the blind filter. This rinses the machine.
- At the end of rinsing, remove the portafilter, replace the blind filter with the normal filter and deliver a coffee to eliminate possible unpleasant tastes.



IMPORTANT: The washing procedure must be performed for all groups on the machine.

19.2.b COMPLETE WASHING OF THE GROUPS

More thorough washing can be performed simultaneously on all the machine's groups.

- To start the procedure, access programming by pressing and holding button (B) on the first coffee group for 10 seconds.
- Then press button (B) on the first group again until the following screen is displayed:



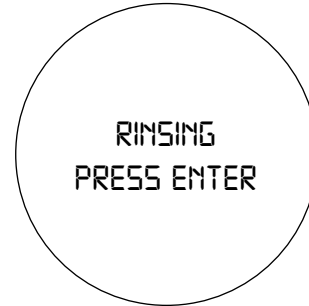
- Select by pressing buttons (A) or (C), then press button (B) to confirm. The following screen will be displayed:



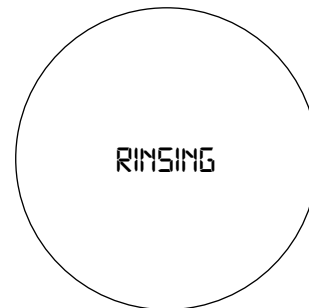
- After inserting the detergent and attaching the portafilters, press button (B) to start washing. The following screen is displayed throughout washing:



After the first washing cycle, the following screen will be displayed:



- Remove the portafilter and empty the dirt contained in the blind filter by rinsing under running water.
- Put the filter back in the group and repeat the washing cycle without detergent in the blind filter. This rinses the machine. The following screen will appear:



- At the end of rinsing, remove the portafilter, replace the blind filter with the normal filter and deliver a coffee to eliminate possible unpleasant tastes.

19.2.c DAILY CLEANING

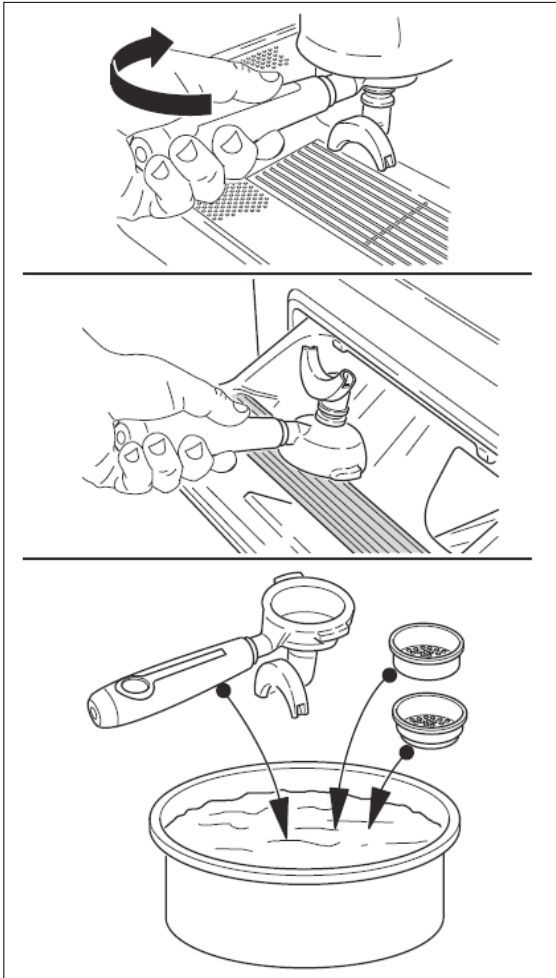


IMPORTANT: NEVER use corrosive or abrasive detergents; use detergent specifically for cleaning coffee machines or crockery only. NEVER use water jets to clean the machine.

To clean, proceed as follows:

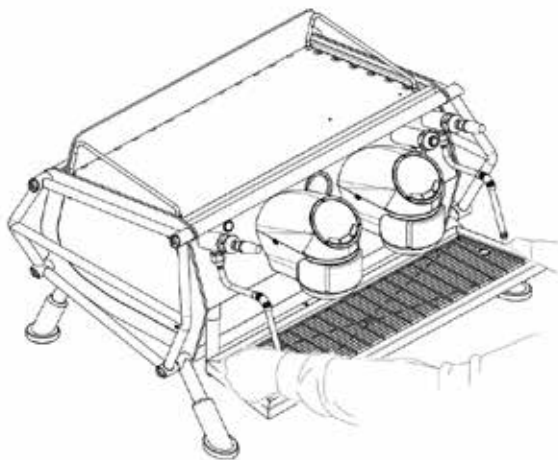
- Remove and empty the portafilters.
- Remove the filters from the portafilters and immerse both in a basin containing specific detergent, leaving them to soak while the machine is inactive.

EN

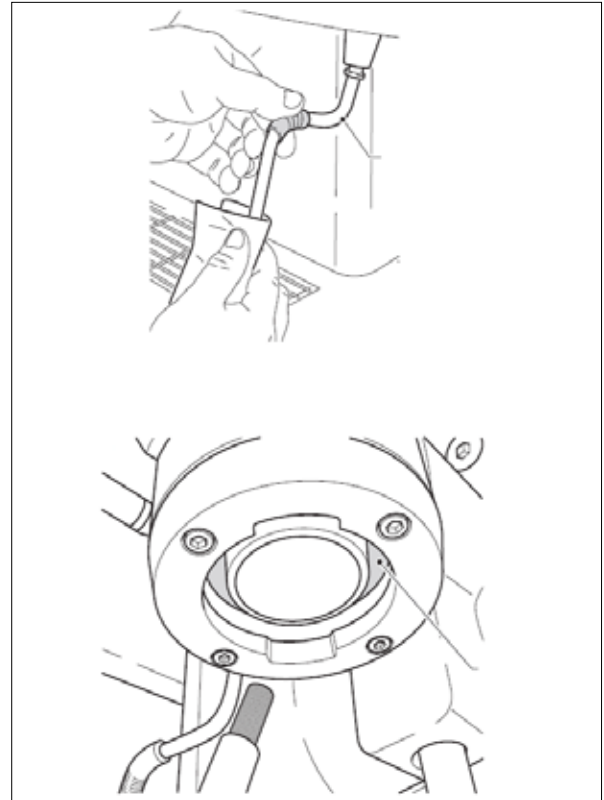


Remove the grille (1) and wash with running water and specific detergent.

After washing, dry thoroughly with a soft cloth, then put back in the machine.



Check there are no encrustations on the steam wands (2), if necessary clean with specific detergents.



Clean the bottom of the group with detergent and clean the gasket with a soft bristled brush (3).

Wipe the outside of the machine with a damp cloth.



19.3 -SCHEDULED MAINTENANCE (TECHNICIAN)

Scheduled maintenance includes all the operations which must be carried out at regular intervals to guarantee correct operation of the machine.



IMPORTANT: All scheduled maintenance operations must be carried out by technical assistance. We recommended signing a maintenance agreement with your local technical assistance service to cover any problems which might arise while using the machine.



19.4 EXCEPTIONAL MAINTENANCE (TECHNICIAN)

Exceptional maintenance includes all the operations carried out when necessary, for example, to replace worn or broken components.



IMPORTANT: All problems other than those listed in the table at the end of chapter 20 require the intervention of a technical assistance service.



TECHNICAL ASSISTANCE AND DEMOLITION

20	TECHNICAL ASSISTANCE AND SPARE PARTS.....	68
21	SCRAPPING THE MACHINE.....	68
21.1	DISPOSAL OF HARMFUL SUBSTANCES	68

Chapter 20-21

EN

20 TECHNICAL ASSISTANCE AND SPARE PARTS

- For spare parts and all problems regarding the machine, contact an authorised dealer only.
- If repairs are required, use original spare parts only to guarantee that the machine's technical specifications remain unaltered over time.
- To order spare parts, follow the instructions in the spare parts catalogue.



21 SCRAPPING THE MACHINE



To protect the environment, proceed in accordance with the regulations and standards in force in the country concerned.

When the appliance can no longer be used or repaired, the components should be separated for disposal.

Electrical appliances may not be disposed of as urban waste, but must be treated separately in respect of the European directive on Waste Electrical and Electronic Equipment (2002/96/ EC - 2003/108/EC)

Electrical equipment is marked with a crossed through wheeled bin symbol. This indicates that it was introduced onto the market after 13 August 2005 and must be disposed of separately.

In light of the constituent substances and materials, inappropriate or illegal disposal of the equipment, or its improper use, may cause damage to persons and the environment.

Electrical waste disposal which does not comply with the regulations in force is punishable by administrative and penal sanctions.



IMPORTANT: For information on the disposal of harmful substances (lubricants, solvents, paints, etc.) please consult the following paragraph.

21.1 DISPOSAL OF HARMFUL SUBSTANCES

To dispose of these substances, consult the regulations in force in the country concerned and proceed accordingly.



IMPORTANT: Any irregularities committed before, during or after scrapping and disposal of the machine's components and in interpreting and applying the regulations in force is the sole responsibility of the customer.

INDICE GÉNÉRAUX

1	SAUVEGARDES IMPORTANTS.....	74
1.1	AVERTISSEMENTS GÉNÉRAUX	74
1.2	NORMES DE RÉFÉRENCE	75
1.3	DÉSCRIPTION DES SYMBOLES.....	75
1.4	PRÉPARATION PAR L'ACHETEUR.....	75
1.5	OPÉRATIONS D'URGENCE EN CAS D'INCENDIE.....	76
1.6	RISQUE D'EXPLOSION	76
1.7	NIVEAU DE PRESSION ACOUSTIQUE.....	76
1.8	VIBRATION	76
1.9	USAGE PRÉVU	76
1.10	MAUVAISE UTILISATION.....	76
1.11	DÉCLARATION POUR LES MATÉRIAUX EN CONTACT AVEC LES PRODUITS ALIMENTAIRES.....	76
2	SÉCURITÉ.....	78
2.1	ÉTIQUETTES DE SÉCURITÉ.....	78
2.2	DISPOSITIFS DE SÉCURITÉ.....	78
2.3	ZONES FONCTIONNELLES	78
2.4	ZONES AVEC RISQUE RÉSIDUEL.....	78
2.5	ZONES DANGEREUSES	79
3	DÉSCRIPTION DE LA MACHINE.....	82
4	SPÉCIFICATION TECHNIQUE	82
5	TRANSPORT.....	86

Index

FR

Index

5.1	EXPÉDITION.....	86
5.2	SOULEVEMENT DU PAQUET.....	86
5.3	STOCKAGE	86
5.4	CONTROLLO AL RICEVIMENTO	86
6	DÉBALLAGE ET POSITIONNEMENT.....	87
6.1	DÉBALLAGE DE LA MACHINE	87
6.2	SOULEVEMENT DE LA MACHINE	87
6.3	POSITIONNER LA MACHINE.....	87
7	IDENTIFICATION DES COMPOSANTS	88
7.1	PLAQUE SIGNALÉTIQUE	88
8	CONNEXIONS.....	90
8.1	CONNEXION DE L'EAU.....	90
8.2	CONSEILS POUR UNE UTILISATION CORRECTE DES POMPES ROTATIVES.....	91
8.3	CONNEXION ÉLECTRIQUE.....	93
9	MISE EN SERVICE	96
9.1	PREMIÈRE ACTIVATION.....	96
10	REGLAGE DES FONCTIONS.....	100
10.1	REGLAGE DU MOULIN-DOSEUR	100
10.2	CONTROLE DE LA DISTRIBUTION DU CAFE	100
10.3	DERNIER RAPPELLE	100
11	UTILISATION DE LA MACHINE	102
11.1	DESCRIPTION DES COMPOSANTS.....	102
11.2	DESCRIPTION DES CONTROLES	103
11.3	DISPLAY	104
11.4	PREPARER LE CAFE.....	105

11.5	PREPARER LE CAPPUCCINO	106
11.6	CHAUFFER LES BOISSONS	107
11.7	PREPARER TÉ, CAMOMILLE, ETC.....	107
12	PROGRAMMATION	110
12.1	- PROGRAMMER LES DOSES	110
12.2	PROGRAMMER LES FONCTIONS AVEC L'ECRAN DES PARAMETRES DU GROUPE	111
12.2.a	PROGRAMMER LA TEMPERATURE DU GROUP DE L'EAU DU CAFE.....	111
12.2.b	PROGRAMMER LA TEMPERATURE ET L'ASCENSION DU CHAUFFE-TASSE.....	112
12.2.c	PROGRAMMER LA PRE-INFUSION.....	112
12.2.d	PROGRAMMER LES DOSES	113
12.3	PROGRAMMER LES FONCTIONS AVEC L'ECRAN GENERAL	113
12.4	SORTIR DE LA MODALITE DE PROGRAMMATION.....	115
12.5	SYSTEME DE PURGE DES CIRCUITS DU CAFE	115
12.6	FONCTION « ENERGY SAVING »	115
13	ALLUMAGE ET ARRET DES GROUPES	118
14	ALLUMAGE ET ARRET LA MACHINE	118
15	ALARME	118
16	RECHERCHE DE PANNE	120
17	MISE HORS DE SERVICE TEMPORAIRE	124
17.1	REACTIVER LA MACHINE.....	124
18	VERIFIER LA MACHINE APRES INACTIVITE PROLONGEE.....	124
19	NETTOYAGE	126

FR
Index

19.1	AVERTISSEMENT GENERAL CONCERNANT LE NETTOYAGE	126
19.2	ENTRETIEN DE ROUTINE.....	126
19.2.a	LAVAGE AUTOMATIQUE DES GROUPS.....	126
19.2.b	LAVAGE COMPLET DES GROUPES.....	127
19.2.c	NETTOYAGE QUOTIDIEN	128
19.3	ENTRETIEN PROGRAMMÉ (TECHNICIEN).....	129
19.4	ENTRETIEN EXCEPTIONNEL (TECHNICIEN).....	129
20	ASSISTANCE TECHNIQUE ET PIECES DE RECHANGE....	132
21	ELIMINATION DE LA MACHINE	132
21.1	ELIMINATION DES SUBSTANCES NOCIVES.....	132

SAUVEGARDES IMPORTANTS

1	SAUVEGARDES IMPORTANTS.....	74
1.1	AVERTISSEMENTS GÉNÉRAUX	74
1.2	NORMES DE RÉFÉRENCE	75
1.3	DÉSCRIPTION DES SYMBOLES.....	75
1.4	PRÉPARATION PAR L'ACHETEUR.....	75
1.5	OPÉRATIONS D'URGENCE EN CAS D'INCENDIE.....	76
1.6	RISQUE D'EXPLOSION	76
1.7	NIVEAU DE PRESSION ACOUSTIQUE.....	76
1.8	VIBRATION	76
1.9	USAGE PRÉVU	76
1.10	MAUVAISE UTILISATION	76
1.11	DÉCLARATION POUR LES MATÉRIAUX EN CONTACT AVEC LES PRODUITS ALIMENTAIRES	76

Chapitre 1

FR



1 SAUVEGARDES IMPORTANTS

1.1 AVERTISSEMENTS GÉNÉRAUX

- Ce manuel d'utilisation est parti intégrant de la machine et doit être conservé attentivement pour consultation future.
- S'il est perdu ou vous nécessitez des informations complémentaires, contactez votre revendeur local ou le constructeur.
- Avant la première utilisation de la machine, l'utilisateur doit avoir lu attentivement ce manuel d'utilisation et avoir approfondi la connaissance des spécifications techniques et des commandes.
- Avant d'installer la machine, s'assurer que la surface où elle va être installée est compatible avec sa dimension et son poids.
- La machine ne convient pas à l'installation à l'extérieur, dans des endroits où peuvent être utilisés jets d'eau, ou dans des endroits où la température peut baisser au-dessous de 41°F.
- Ne pas installer la machine à proximité d'une source de chaleur.
- Les enfants ne doivent pas jouer avec la machine.
- Cette machine peut être utilisée par les enfants âgés de 8 ans et plus et par personnes avec capacités physiques, sensoriels ou mental réduites seulement s'ils sont surveillés ou instruits sur l'utilisation de la machine dans une manière sécurisée et s'ils comprennent les dangers impliqués.
- Ne pas utiliser le dispositif avec les mains mouillées ou nu-pieds.
- Ne pas permettre à personnes non autorisées et non qualifiées de manipuler, ajuster ou réparer la machine.
- Le personnel technique autorisé doit avoir les connaissances hygiéniques et de sécurité nécessaires pour utiliser correctement le dispositif. Il doit aussi faire référence à ce manuel d'utilisation pour les opérations nécessaires.
- Avant de nettoyer et/ou effectuer la maintenance sur la machine et avant de retirer toute protection, **s'assurer que le bouton principal est sur la position "OFF" (O)** pour déconnecter l'électricité de la machine pendant que l'opérateur est en train de travailler.
- L'installation électrique principale de l'acheteur doit comprendre un disjoncteur automatique en amont de l'interrupteur principal de la machine avec une distance d'ouverture de contact conforme aux spécifications de déconnexion pour la catégorie de surtension III et AS/NZS 3000 et un système de terre approprié conforme à toutes les prescriptions en cas d'accident et aux normes de prévention.
- Ne pas utiliser adaptateurs, prises multiples et/ou prolongements.
- Ne pas utiliser la machine si le câble électrique est endommagé ou effiloché.
- Quand vous travaillez sur ou près du bouton principal, déconnectez le bouton de l'alimentation du réseau électrique.
- Vérifier que tous les dispositifs de sécurité (protections, enveloppes, micro-interrupteurs, etc.) n'ont pas été altérés et fonctionnent parfaitement. Si ce n'est pas le cas, il faut réparer.
- **Ne pas enlever les dispositifs de sécurité.**
- Pour éviter danger personnel, utiliser seulement outils appropriés conformément aux normes de sécurités nationales.
- **FAIRE TRÈS ATTENTION AUX ÉTIQUETTES DE MISE EN GARDE CHAQUE FOIS QUE VOUS OPÉREZ SUR OU PRÈS DE LA MACHINE.**
- L'utilisateur doit remplacer toute étiquette de mise en garde qui est endommagée pour n'importe quelle raison ou qui n'est pas clairement lisible, en demandant des nouvelles étiquettes au service pièces de rechange.
- Si la machine est défectueuse ou les composants sont endommagés, contacter votre revendeur ou le constructeur.
- Tout usage de la machine autre que ceux expressément prévus et documentés est absolument interdit.
- La machine doit toujours être utilisée conformément aux procédures, temps et lieux établis par les règles de bonne pratique, en conformité avec les directives en vigueur et à l'égard des normes en vigueur dans le pays d'utilisation sur la santé et la sécurité des travailleurs.

- L'inobservance des normes de sécurité et des instructions données dans ce livret d'instructions exonère le producteur de toutes les responsabilités pour accidents éventuels ou dégâts à personnes ou choses.
- **L'usage autre que celui indiqué dans ce livret d'instructions est considéré incorrect. Si vous croyez que ce livret d'instructions n'est pas suffisamment exhaustif pour vos nécessités, contactez toujours votre revendeur local ou le producteur pour instructions et solutions supplémentaires.**
- **CES NORMES DE SÉCURITÉ COMPLÈTENT, OU AJOUTENT, LES NORMES DE SÉCURITÉ EN VIGUEUR LOCALEMENT.**
- **SI EN DOUTE, DEMANDEZ TOUJOURS L'INTERVENTION DU PERSONNEL SPÉCIALISÉ.**
- **TOUTE MANIPULATION ÉLECTRIQUE/ÉLECTRONIQUE OU MÉCANIQUE DE LA MACHINE PAR L'UTILISATEUR OU L'UTILISATION NÉGLIGENTE DE LA MACHINE EXONÈRE LE PRODUCTEUR DE TOUTE RESPONSABILITÉ ET RENDS L'UTILISATEUR LE SEUL RESPONSABLE DEVANT LES AUTORITÉS DE PRÉVENTION DES ACCIDENTS.**

1.2 NORMES DE RÉFÉRENCE

- La machine et ses dispositifs de sécurité sont fabriqués en conformité avec les normes indiquées dans la déclaration de conformité.

1.3 DESCRIPTION DES SYMBOLES

- Beaucoup d'accidents sont causés par une connaissance insuffisante des normes de sécurité et par leur non-application. Les normes de sécurité doivent être respectées pendant l'usage et la maintenance de la machine.
- Pour éviter accidents, lire, comprendre et respecter toutes les précautions et les mises en garde dans ce livret d'instruction et sur les étiquettes apposées sur la machine.
- Les symboles suivants sont utilisés pour identifier les messages de sécurité donnés dans ce livret d'instructions.



Danger électrique



Danger général ou informations diverses



Risque thermique (brûle)



Risque de dommages causés à la machine

Pour identifier les opérations qui doivent être effectuées seulement par un technicien, on a utilisé le symbole



1.4 PRÉPARATION PAR L'ACHETEUR

a. Préparation du lieu d'installation

- L'acheteur doit préparer la surface sur laquelle la machine sera positionnée comme décrit dans la section concernant l'installation

b. Exigences électriques.

- L'installation de l'alimentation électrique principale doit respecter les normes de sécurité en vigueur dans le pays d'installation et doit comprendre un système de terre approprié.
- Un dispositif de coupure omnipolaire doit être installé sur la ligne électrique en amont de la machine.



Les fils d'alimentation doivent présenter des dimensions selon le courant maximal nécessaire à la machine pour assurer une perte de tension totale à pleine charge de moins de 2%.

c. Exigences de la plomberie.

- L'acheteur doit préparer un drainage avec siphon et un réseau de distribution d'eau qui fournit correctement eau douce, avec un robinet séparateur en amont de la machine.

1.5 OPÉRATIONS D'URGENCE EN CAS D'INCENDIE

a. En cas d'incendie, déconnecter l'alimentation électrique de la machine en fermant le bouton principal.



Ne jamais essayer d'éteindre l'incendie avec de l'eau pendant que l'alimentation de la machine est en marche.

b. Éteindre l'incendie avec des extincteurs appropriés.

1.6 RISQUE D'EXPLOSION

La machine ne doit pas être utilisée dans des environnements où il y a le risque d'explosions.

1.7 NIVEAU DE PRESSION ACOUSTIQUE

La machine est fabriquée de manière à conserver le niveau de pression acoustique pondéré continu équivalent inférieur à 83 dB, incertitude 2,5 dB.

1.8 VIBRATION

La machine est équipée de pieds amortisseurs en caoutchouc pour les vibrations. Pendant les opérations normales, aucune vibration dangereuse pour l'utilisateur ou l'environnement est générée.

1.9 USAGE PRÉVU

La machine à café est réalisée et construite exclusivement pour préparer café expresso et boissons chaudes (té, cappuccino, etc.) en utilisant l'eau chaude ou le vapeur.

Seulement les opérateurs professionnels avec une connaissance appropriée de l'hygiène et des normes de sécurité peuvent utiliser la machine à café.

Elle comprend une zone pour préchauffer les tasses. Cette zone doit être utilisée seulement pour cette fonction. Tout emploi différent est considéré incorrect et, par conséquent, dangereux.



L'usage incorrect de la machine exonère le producteur de toute responsabilité pour possibles dommages à personnes ou choses.

1.10 MAUVAISE UTILISATION

La machine à café est réalisée et fabriquée exclusivement pour l'usage alimentaire. Ce qui suit est donc interdit :

- l'utilisation de la machine par opérateurs non-professionnels ;
- l'introduction des liquides autres qu'eau douce potable avec une dureté maximale de 3/5 degrés français (60/85 ppm) ;
- Chauffer les boissons ou substances non-alimentaires ;
- L'introduction de produits en poudre autres que le café dans le porte-filtre ;
- Mettre des objets autres que les tasses sur le chauffe-tasses ;
- Poser des récipients de liquide sur le chauffe-tasses ;
- Obstruer les ventilateurs avec tissus ou autres éléments ;
- Couvrir le chauffe-tasses avec tissus ;
- Toucher les zones de distribution avec les mains ;
- Utiliser la machine quand très mouillés.



Cette section énumère un nombre d'usages incorrects raisonnablement prévisibles. Cependant la machine doit toujours être utilisée dans le respect des instructions données dans la section "Usage prévu"

1.11 DÉCLARATION POUR LES MATÉRIAUX EN CONTACT AVEC LES PRODUITS ALIMENTAIRES

Le producteur, SANREMO s.r.l., par la présente déclare que les matériaux utilisés dans ces produits se conforment au règlement EC 1935/2004.

SÉCURITÉ

2	SÉCURITÉ.....	78
2.1	ÉTIQUETTES DE SÉCURITÉ.....	78
2.2	DISPOSITIFS DE SÉCURITÉ.....	78
2.3	ZONES FONCTIONNELLES	78
2.4	ZONES AVEC RISQUE RÉSIDUEL.....	78
2.5	ZONES DANGEREUSES	79

Chapitre 2



2 SÉCURITÉ

2.1 ÉTIQUETTES DE SÉCURITÉ

Les étiquettes de sécurité avec des symboles descriptifs sont présentes sur toutes les superficies qui représentent un danger pour les utilisateurs ou les techniciens.



Les étiquettes qui donnent des instructions de sécurité sont attachées sur la machine et doivent être respectées rigoureusement par tous ce qui l'utilisent ou la réparaient. Le non-respect des instructions de sécurité exonère le producteur de toute responsabilité pour possibles endommagements à personnes ou choses.

Danger bornes de tension



Cette étiquette est attachée sur toutes les superficies avec des bornes de tension. Ne pas effectuer aucune opération quand l'alimentation est active

Danger de brûlure



Cette étiquette est attachée sur le chauffe-tasse

- Les commandes positionnées haut de la machine sur les zones de distribution ;
- Soupape de décharge sur la chaudière ;
- Clapet anti-retour dans le circuit d'eau ;

Dispositifs de sécurité électriques/électroniques

Les dispositifs de sécurité électriques/électroniques se composent comme suit:

- Disjoncteurs thermiques sur les moteurs ;
- Thermostats de sécurité pour contrôler le surchauffage ;

2.3 ZONES FONCTIONNELLES

La machine est actionnée par un seul utilisateur qui est debout devant la machine pour préparer facilement café et autres boissons chaudes.

2.4 ZONES AVEC RISQUE RÉSIDUEL

Les zones avec risque résiduel sont celles qui ne peuvent pas être protégées à cause de la typologie particulière de production. Dans la machine à café, elles sont les suivantes :

- La zone (1) des groupes pendant la distribution du café ;
- La zone (2) de la buse à vapeur quand se chauffent les boissons ;
- La zone (3) où est distribuée l'eau chaude ;



Il y a le risque de brûlures dans toutes ces zones.

2.2 DISPOSITIFS DE SÉCURITÉ

Il y a essentiellement deux typologies de dispositifs de sécurité réalisés et incorporés dans la machine à café:

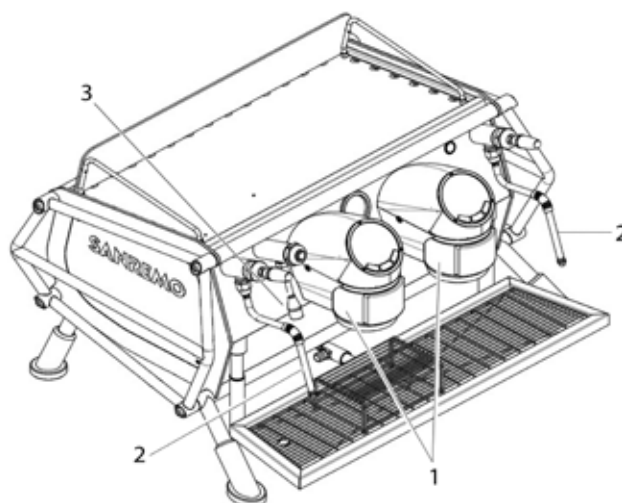
Dispositifs de sécurité mécaniques.

Dispositifs de sécurité électriques/électroniques

Dispositifs de sécurité mécaniques

Les dispositifs de sécurité mécaniques se composent comme suit :

- Panneau complètement fermé par vis qui enferment les composants électroniques/électriques et la chaudière ;
- Surface de travail avec une grille et un plateau pour recueillir les liquides ;



2.5 ZONES DANGEREUSES



Les zones dangereuses sont toutes les zones dedans la machine qui sont protégées par des dispositifs de sécurité où le technicien peut opérer en réparant la machine. Ces zones doivent être accédées seulement par les techniciens.



DÉSCRIPTION DE LA MACHINE

3	DÉSCRIPTION DE LA MACHINE	82
4	SPÉCIFICATION TECHNIQUE	82

Chapitres 3 - 4



3 DESCRIPTION DE LA MACHINE

Les caractéristiques principales de la machine à café expresso automatique sont décrites ci-dessus :

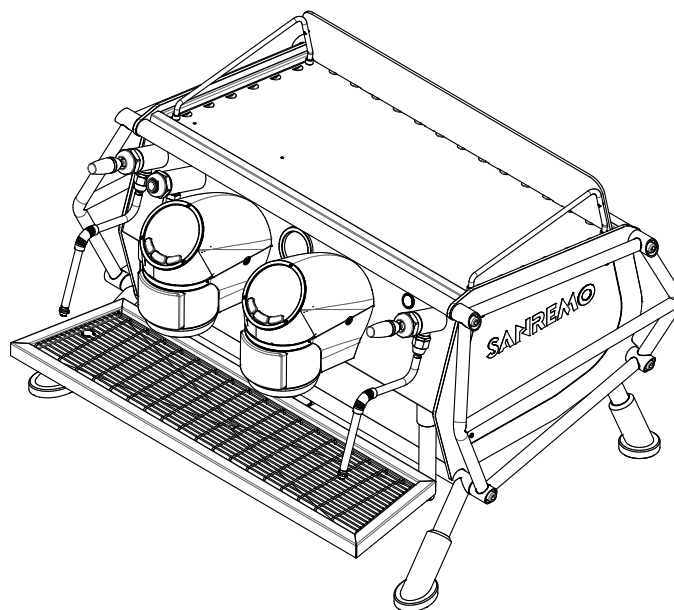
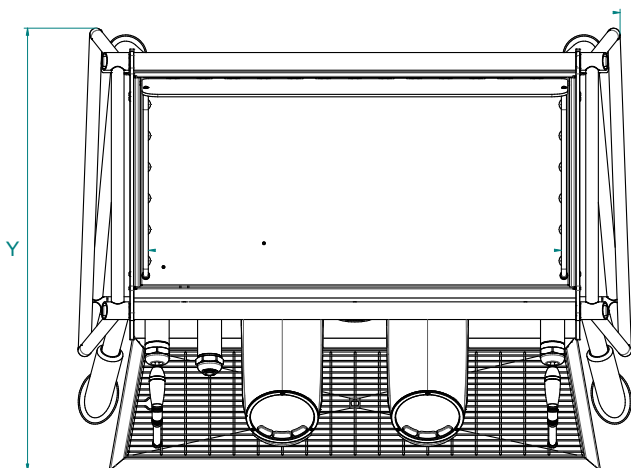
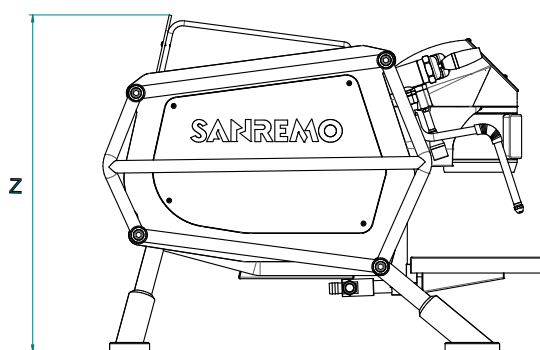
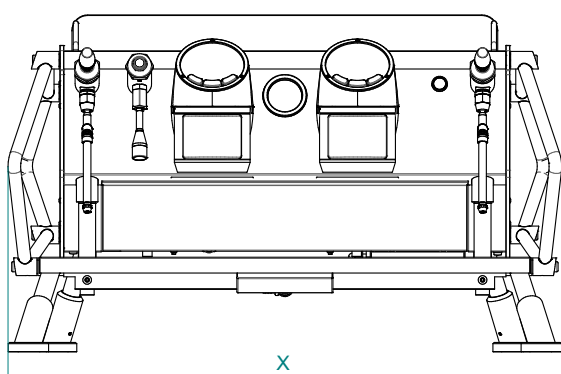
- Machine à café expresso professionnelle à 2 ou 3 groupes.
- Système de chaudière multiple avec régulateur PID.
- Système de remplissage de la chaudière automatique.

La machine est réalisée et fabriquée pour faire café expresso et boissons chaudes.

Le café est distribué par les têtes de group et l'eau chaude ou le vapeur sont produits au moyen de commandes positionnées devant la machine. Il y a un chauffe-tasses sur le sommet de la machine.

La machine se compose d'une structure sur laquelle tous les composants sont montés, entourés de panneaux fixés par des vis.

4 SPÉCIFICATION TECHNIQUE



FR

	CR2	CR3
x	34,53 inch	41,61 inch
y	27,64 inch	27,64 inch
z	21,02 inch	21,02 inch

GROUPES		CR2	CR3
Capacité de la chaudière	US gal	2,11	2,64
Poids net	Lb	97	120
Poids brut	Lb	326	377
Tension d'alimentation électrique	V	208-240V 60Hz	
Puissance de l'élément de chauffage de la chaudière (230V)	kW	3,5 / 4,5	
Puissance de l'élément de chauffage de la petite chaudière (230V)	kW	0,5	
Puissance de l'élément du groupe de chauffage.	kW	0,8	
Puissance de l'élément de chauffage du chauffe-tasses	kW	0,16	0,2
Puissance de pompage motorisée	kW	0,2	
Puissance totale	kW	6,9	8,1
Pression maximale de la petite chaudière	Bar/PSI	12/174	
Pression de fonctionnement de la chaudière	Bar/PSI	0,8 ÷ 1,5 / 11,6 ÷ 21,8	
Pression de l'eau du réseau	Bar/PSI	6 / 87	
Pression de la distribution du café	Bar/PSI	8 ÷ 12 / 116 ÷ 174	
Température de fonctionnement	°F	41 ÷ 95	



TRANSPORT, DÉBALLAGE ET COMPOSANTS

5	TRANSPORT.....	86
5.1	EXPÉDITION.....	86
5.2	SOULEVEMENT DU PAQUET.....	86
5.3	STOCKAGE	86
5.4	CONTROLLO AL RICEVIMENTO.....	86
6	DÉBALLAGE ET POSITIONNEMENT.....	87
6.1	DÉBALLAGE DE LA MACHINE	87
6.2	SOULEVEMENT DE LA MACHINE	87
6.3	POSITIONNER LA MACHINE.....	87
7	IDENTIFICATION DES COMPOSANTS	88
7.1	PLAQUE SIGNALÉTIQUE	88

Chapitres 5 - 6 - 7

FR

5 TRANSPORT

5.1 EXPÉDITION

La machine est expédiée dans une caisse à bois avec une protection interne.

La typologie d'expédition (air, routière, chemin de fer, etc.) est décidée dans le contrat signé entre fournisseur et acheteur.



IMPORTANT : Le paquet contenant la machine doit être protégé contre l'eau pendant le transport. Il est absolument interdit de poser autres caisses ou autre matériel sur le paquet. Le paquet doit toujours être transporté dans une position verticale et ne doit jamais être renversé.

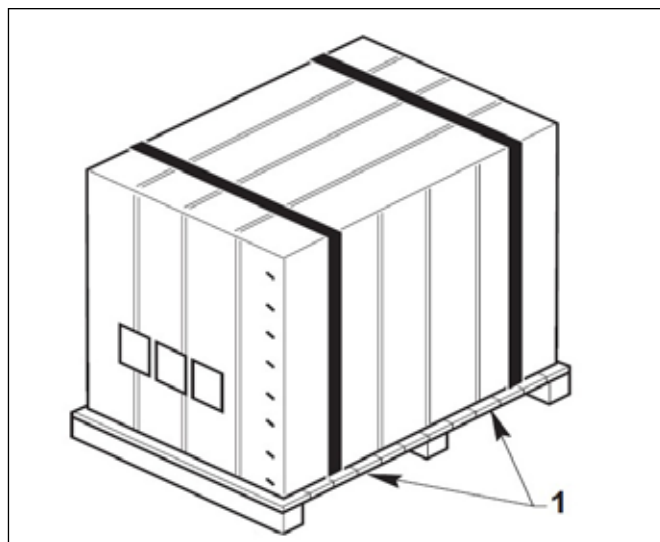
5.2 SOULEVEMENT DU PAQUET

Le paquet doit être manipulé avec le plus grand soin. Il faut utiliser un équipement approprié pour le soulèvement, choisi selon le poids du paquet, pour le soulever et le positionner.

Le paquet doit être soulevé avec l'aide d'un véhicule élévateur, en introduisant les fourches (1) dans la palette.



Le soulèvement et la manipulation doivent être effectués par le personnel spécialisé autorisé à utiliser l'équipement approprié. Le non-respect des normes de sécurité actuelles sur le soulèvement et la manipulation des matériaux exonère le producteur de toute responsabilité pour possibles endommagements à personnes ou choses.



5.3 STOCKAGE



Le paquet contenant la machine doit être stocké à couvert, protégé par les intempéries. Il est strictement interdit de poser autres boîtes, paquets ou matériaux sur le paquet contenant la machine.

5.4 CONTROLLO AL RICEVIMENTO

À la réception du colis, contrôler que le paquet est en bon état et qu'il n'est pas visiblement endommagé.

Si le paquet est en bon état, enlever l'emballage (sauf si des différentes instructions ont été fournies par le fabricant).

S'assurer que l'emballage contient aussi le livret d'instructions et les composants indiqués dans la facture de transport.

Si vous notez endommagements ou défauts :

a. Informer immédiatement le transporteur et votre agent tant par téléphone que par écrit, avec avis de réception;

b. Aviser le fabricant à titre d'information.



6 DÉBALLAGE ET POSITIONNEMENT



IMPORTANT: la machine doit être déballée et positionnée par le personnel spécialisé autorisé. Pour éviter possibles risques hygiéniques, nous recommandons de laisser la machine dans son emballage jusqu'au moment de l'installation.



6.1 DÉBALLAGE DE LA MACHINE

Pour extraire la machine de l'emballage, procéder dans la manière suivante:

- Enlever le couvercle supérieur.
- Enlever les panneaux latéraux.
- Enlever la protection interne.
- S'assurer que la machine est en bon état.
- Enlever le sac en plastique.
- Extraire les accessoires, le livret d'instructions, etc..
- Vérifier la conformité de l'expédition



AVERTISSEMENT: Les articles d'emballage (sacs en plastique, carton, clus, etc.) ne doivent pas être laissés à la portée des enfants en tant que sources potentielles de danger et doivent donc être collectés et envoyés dans des centres appropriés pour le recyclage .



Éventuels dommages, défauts ou non-conformités doivent être communiqués rapidement, dans les 8 jours depuis la réception de la machine. Autrement les produits sont réputés acceptés.

6.2 SOULEVEMENT DE LA MACHINE

La machine doit être soulevée manuellement par quatre ou plus personnes positionnées sur les côtés opposés de la machine, en la tenant par la structure/pieds sous la base.

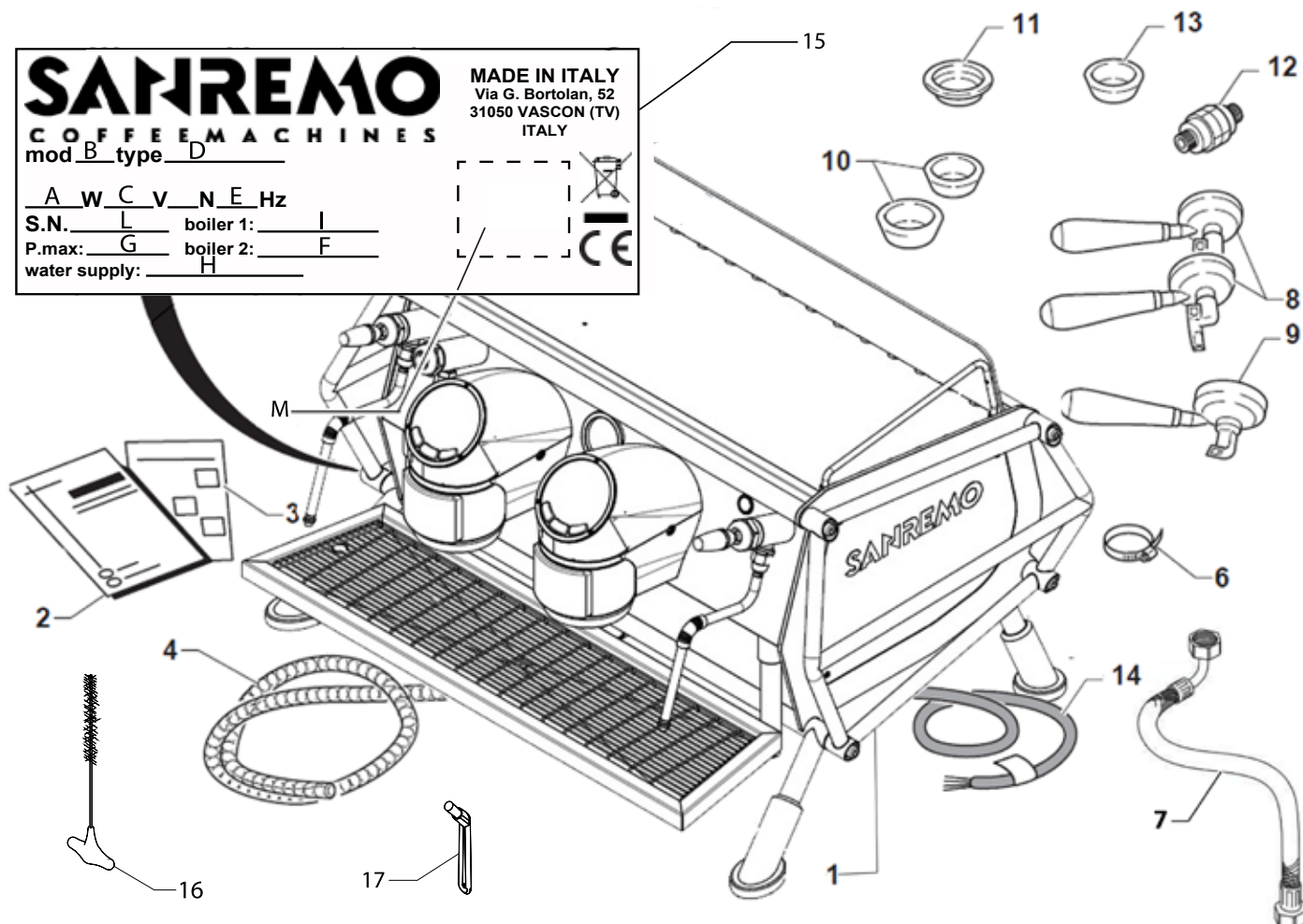
La machine peut aussi être soulevé par un palan, en introduisant les sangles sous la base et en fixant l'autre extrémité à une barre pour prévenir d'écraser les panneaux extérieurs.

6.3 POSITIONNER LA MACHINE

Positionner la machine dans la position définitive, en s'assurant que:

- 1) La machine doit être utilisée sur un endroit dans une position surélevée qui ne peut pas être niveau terre.
- 2) La surface sur laquelle la machine est positionnée est suffisamment solide et stable pour supporter le poids de la machine, et que le sommet est parfaitement horizontal.
- 3) Il y a au moins 3,9 inch entre les murs et les panneaux latéraux et de derrière de la machine pour garantir une ventilation correcte.
- 4) Le sommet de la machine (chauffe-tasse) est au moins 59 inch depuis le plancher.
- 5) À côté de la machine il y a une boîte poubelle pour se débarrasser des marcs de café et un espace pour le moulin doseur.
- 6) À côté de la machine il y a un panneau électrique pour connecter la machine électriquement, un drainage et un robinet pour connecter la distribution d'eau.

7 IDENTIFICATION DES COMPOSANTS



LÉGENDE

- FR
- 1) Machine à café
 - 2) Livret d'instructions
 - 3) Déclaration de conformité
 - 4) Tuyau d'évacuation L= 2m
 - 6) Collier de serrage
 - 7) Tuyau d'aspiration d'adoucissant d'eau 0.5m
 - 8) Porte-filtre double (2/3 pieces)
 - 9) Porte-filtre simple
 - 10) Filtre double (2/3pieces)
 - 11) Filtre simple
 - 12) Filtre de purification d'eau
 - 13) Filtre aveugle
 - 14) Câble d'alimentation
 - 15) Plaque signalétique
 - 16) Nettoyeur de tuyau
 - 17) Brosse de nettoyage

7.1 PLAQUE SIGNALÉTIQUE

La plaque signalétique donne les informations suivantes:

- A. Énergie
- B. Model
- C. Tension d'alimentation
- D. Code d'identification de la machine
- E. Fréquence
- F. Pression maximale du préchauffage de la chaudière (Boiler 2)
- G. Pression maximale
- H. Entrée de la pression d'alimentation
- I. Pression maximale de la chaudière à vapeur (Boiler 1)
- L. Numéro d'identification
- M. Identification de la certification

COLLEGAMENTI

8	CONNESSIONS.....	90
8.1	CONNESSION DE L'EAU.....	90
8.2	CONSEILS POUR UNE UTILISATION CORRECTE DES POMPES ROTATIVES	91
8.3	CONNESSION ÉLECTRIQUE.....	93

Chapitre 8

FR



8 CONNEXIONS



IMPORTANT: la machine doit être connecté par un technicien spécialisé et autorisé



8.1 CONNEXION DE L'EAU



La machine doit être connectée à un réseau de distribution de l'eau conformément aux normes en vigueur dans le pays où la machine va être utilisée et en utilisant un ensemble d'accouplements.

Drainage

À côté de la machine il faut avoir un drainage (1) avec siphon



Le siphon du drainage doit être positionné au moins 7,9 inch sous la surface sur laquelle la machine est positionnée.

- Connecter une des plus courtes extrémités du tuyau d'évacuation (4) au raccord d'écoulement sur la machine (5) et l'autre extrémité au raccord sur le plateau (3) et fixer avec les colliers de serrage. Connecter une extrémité du tuyau d'évacuation le plus long (2) au couplage (3) sur le plateau et l'autre extrémité au drainage précédemment préparé.

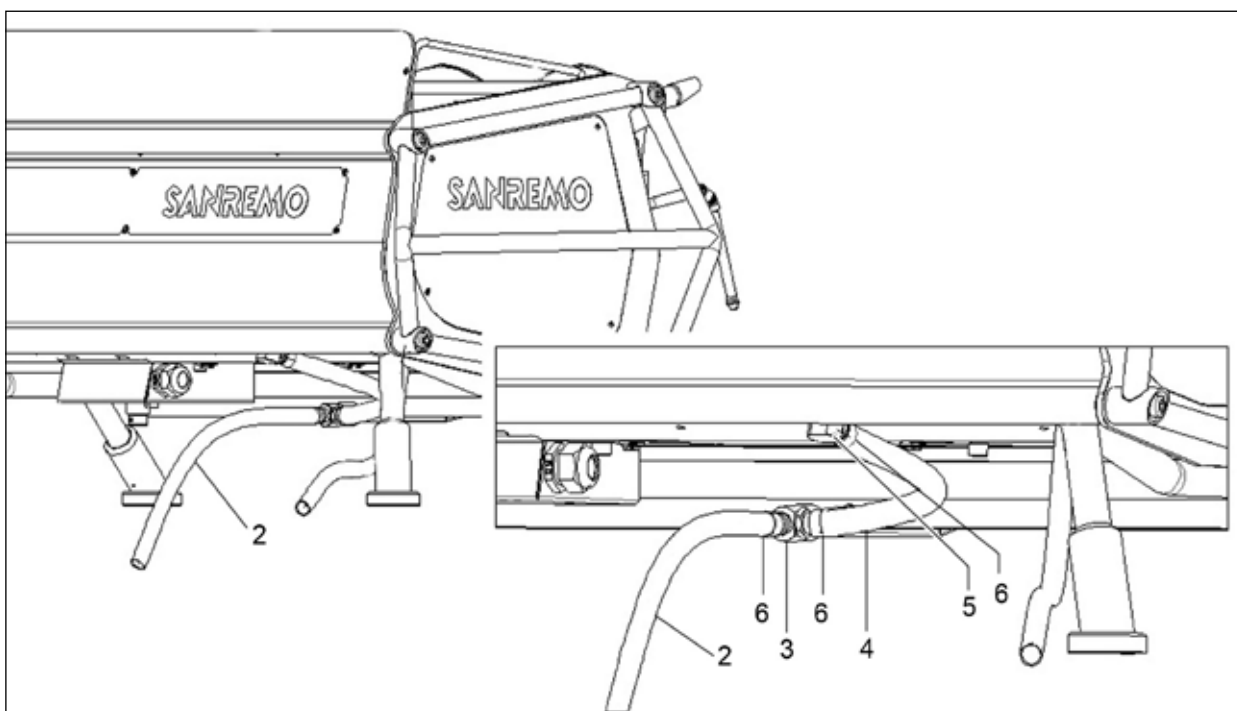


La machine doit être connectée à un réseau de distribution de l'eau qui fournit eau potable convenablement adoucie avec une dureté maximale de 3.5/5 degrés françaises (60/85 ppm). S'assurer que la pression de l'alimentation n'excède pas les 6 bars (87 PSI). Si la pression est plus forte, installer un réducteur de pression.

Remplissage

Remplissage (pour la version avec pompe incorporée)

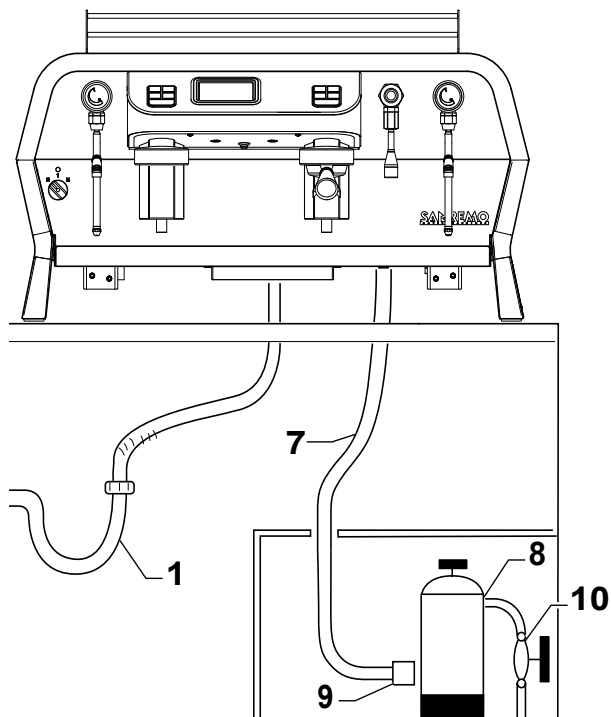
- Connecter le tuyau d'aspiration (7) à un adoucisseur d'eau (8), en interposant le filtre de purification de l'eau (9) fourni.
- Installer un robinet diviseur (10) devant l'adoucisseur d'eau (8) pour séparer la machine par le réseau de distribution de l'eau



- Connecter le connecteur (13) sur la pompe au connecteur correspondant (14) sur la machine.



Pour l'installation, l'usage et l'entretien de l'adoucisseur d'eau, suivre les instructions sur le livret relatif.



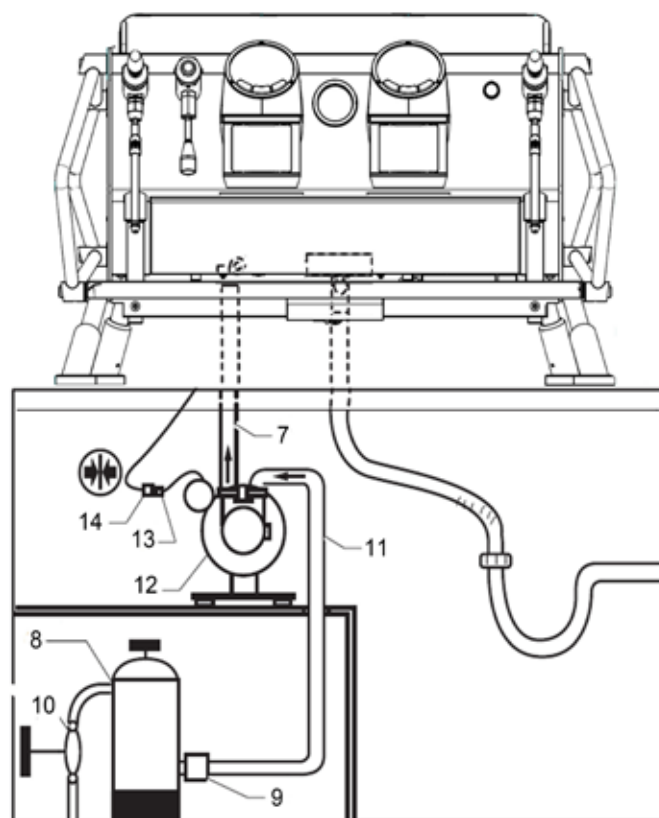
Remplissage (pour la version avec pompe externe)

Sur demande, la pompe peut être installée extérieurement, plutôt qu'internement, en procédant comme suit :



Positionner la pompe à distance de sources de chaleur et avec des mesures appropriées pour le poids de la pompe.

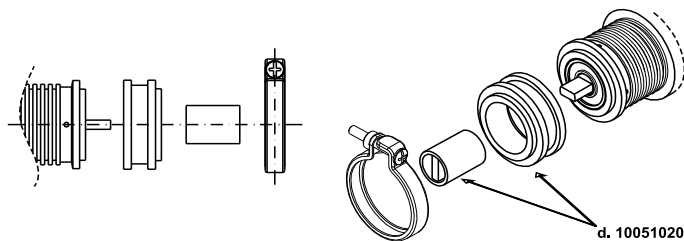
- La pompe (12) doit être positionnée sous la machine pas plus loin de 39,4 inch de la machine, en laissant au moins 2 inch entre la pompe et les panneaux extérieurs pour éviter transmission de vibrations et garantir une circulation d'air correcte.
- Connecter le tuyau (7) qui sort de la machine à l'accouplement de distribution sur la pompe (12).
- Connecter une extrémité du tuyau (11) prévu pour le raccord d'admission sur la pompe et l'autre extrémité à un adoucisseur d'eau (8), en interposant le filtre de purification de l'eau (9).
- Installer un robinet diviseur (10) devant l'adoucisseur d'eau (8) pour séparer la machine par le réseau de distribution de l'eau.



8.2 CONSEILS POUR UNE UTILISATION CORRECTE DES POMPES ROTATIVES

1) ALIGNEMENT CORRECT ENTRE POMPE ET MOTEUR

Le groupe peut devenir bruyant en cas d'alignement incorrect. En effet, lorsque le couplage des deux composants est rigide, il peut advenir que le rotor de la pompe et celui du moteur soient désaxés. Le dommage qu'une persistance de cette condition pourrait causer est le blocage de la pompe. Pour parer à ce problème, une solution efficace est celle d'interposer, entre la pompe avec fixation à collier et le moteur, un joint élastique. À ce propos, il existe le kit repérable sous le code 10051020, disponible comme accessoire.



2) QUALITÉ DE L'EAU

Les tolérances de fabrication et les matériaux utilisés pour les pompes rotatives à palettes sont tels à imposer l'utilisation d'une eau autant que possible propre et sans particules en suspension. Bien souvent le sable, les dépôts de calcaire des tuyaux de raccordement ou les résines de l'adoucisseur provoquent, par leur passage à travers la pompe, des rayures sur les parties en graphite et, en conséquence, des problèmes de pression et de débit. Nous conseillons, là où il n'est pas possible de garantir une eau propre à l'intérieur d'un circuit fermé, donc non susceptible d'être contaminé, d'interposer un filtre de 5 ou 10 microns (généralement avec cartouche à fil enveloppé par PP alimentaire) entre l'adoucisseur et la pompe. Par ailleurs, il est important de garder le filtre propre. Le colmatage du filtre avant la pompe cause des cavitations et provoque de ce fait la rupture de la pompe en très peu de temps (voir point 4). En cas d'utilisation d'un réservoir d'alimentation, il est conseillé de faire arriver le tuyau d'aspiration à quelque centimètre du fond, afin d'éviter d'aspirer des sédiments.

3) FONCTIONNEMENT À SEC

Les pompes rotatives à palettes peuvent fonctionner à sec seulement pendant un temps très court (quelques secondes). Un fonctionnement prolongé sans eau provoque l'endommagement du joint en raison du fait qu'il atteint une température très élevée parce qu'il n'est plus refroidi convenablement, ce qui peut être à l'origine de fuites importantes, visibles à travers les 4 petits trous de drainage situés à proximité du collier. S'il existe la possibilité d'un manque d'eau du réseau de distribution, l'installation d'un pressostat de pression minimum avant la pompe est préconisée. En cas d'utilisation d'un réservoir d'alimentation, il est conseillé de le doter d'un contrôle de niveau approprié.

4) CAVITATION

Cette situation apparaît lorsque le flux d'eau de l'alimentation n'est pas adapté aux caractéristiques de la pompe. Différents facteurs, tels que filtres colmatés, diamètre de la tuyauterie trop petit ou plusieurs points d'utilisation sur la même ligne, peuvent concourir à l'apparition de ce phénomène. L'ouverture de l'électrovanne de sécurité, si elle a été installée (placée généralement avant la pompe et les filtres), doit se déclencher avant le démarrage de la pompe, ceci pour éviter les cavitations. Dans ce même but, une fois que la pompe a terminé la distribution, la fermeture de l'électrovanne doit être retardée. L'augmentation du bruit est l'indice révélateur le plus perceptible de ce phénomène. Si cette condition persiste, les conséquences sont comparables à celles provoquées par un fonctionnement à sec.

5) RETOUR D'EAU CHAUDE

Il se pourrait que le clapet anti-retour, prévu sur le circuit hydraulique de la machine entre la pompe et la chaudière, fasse défaut. Dans ce cas, la pompe pourrait rester en contact avec l'eau chaude (194-212°F) et s'endommager à cause des différentes dilations des matériaux employés; le blocage est la conséquence la plus fréquente.

6) RACCORDEMENTS INADÉQUATS

Les pompes peuvent avoir des raccords 3/8" NPT (coniques) ou GAZ (cylindriques). Il arrive parfois d'utiliser des manchons et des nipples avec filetages autres que ceux conseillés et, dans ce cas, pour assurer l'étanchéité d'un raccord disposant d'un nombre de filets insuffisant, on abuse alors de la pâte à joint ou du téflon. Donc, tenir compte du fait que si le raccord est forcé, il y a le risque de produire des copeaux, et si l'on utilise trop de pâte à joint, l'excédent pourrait s'insinuer dans la pompe, provoquant dans les deux cas des dommages.

7) COUPS DE BÉLIER

L'ouverture de l'électrovanne, si elle est prévue après le refoulement de la pompe, doit se déclencher avant le démarrage de la pompe, afin d'éviter les coups de bélier. Dans ce même but, une fois que la pompe a terminé la distribution, la fermeture de l'électrovanne doit être retardée. Un coup de bélier peut provoquer la rupture des supports en graphite et endommager le joint mécanique, entraînant ainsi le blocage de la pompe et des fuites de liquide.

8) MANIPULATION

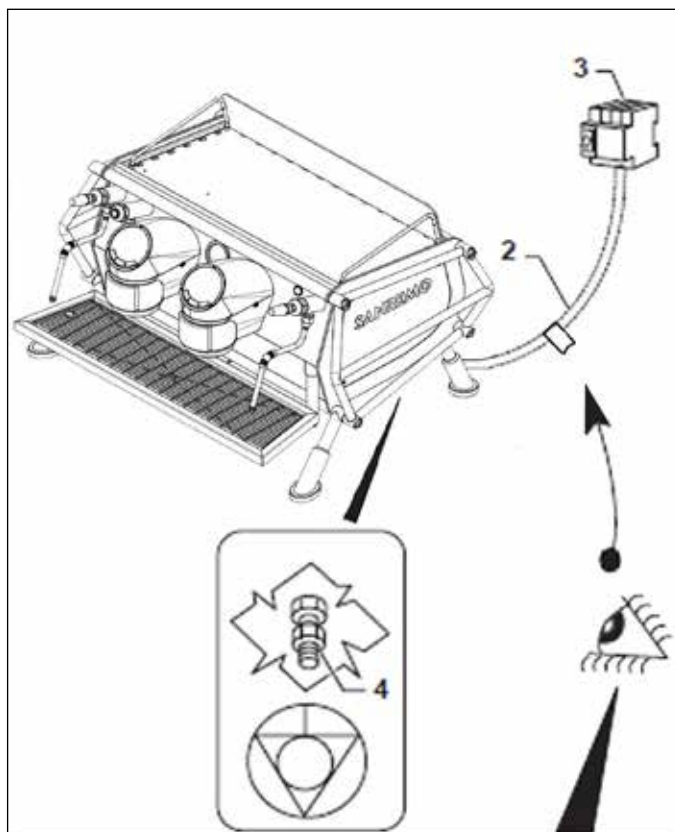
Une chute accidentelle de la pompe peut causer des avaries et des déformations telles à compromettre les délicates tolérances internes. Pour cette raison, il est nécessaire de faire très attention au moment de la fixation de la pompe dans l'étau pour le montage et le démontage des raccords.

9) ENTARTRAGE

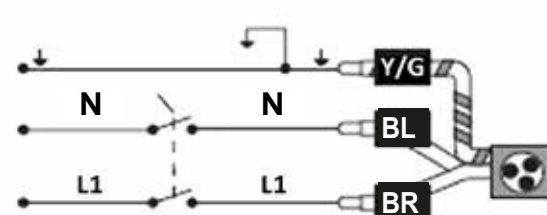
Dans le cas où l'eau pompée serait extrêmement calcaire et n'aurait pas été prétraitée par résines à échange ionique ou par d'autres systèmes efficaces, il est possible que des dépôts calcaires se forment à l'intérieur de la pompe. L'utilisation du by-pass comme régulateur de débit accélère ce phénomène; ce processus est d'autant plus rapide que la circulation d'eau est importante. Les dépôts calcaires peuvent provoquer graduellement le durcissement de la pompe et, dans certains cas, le blocage ou une diminution de la pression due à une modulation incorrecte du by-pass. Pour limiter ce problème, il est conseillé d'utiliser des pompes avec débits adaptés au circuit hydraulique de la machine. Dans certains cas, il pourrait être utile d'effectuer régulièrement un traitement de désincrustation à l'aide d'acides spécifiques.

8.3 CONNEXION ÉLECTRIQUE

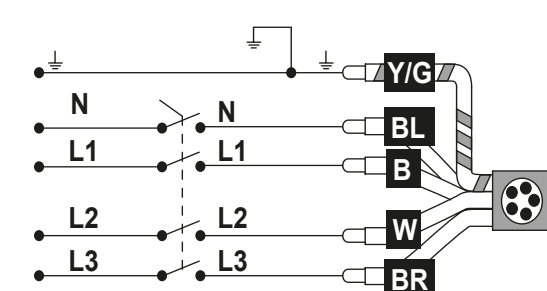
- S'assurer que les boutons sont sur la position OFF avant de procéder avec la connexion électrique de la machine.
- La machine doit être connectée à l'installation de terre conforme aux normes en vigueur dans le pays concerné.
- Vérifier que le voltage de la machine (voir plaque signalétique) corresponde au voltage de l'alimentation de réseau locale.
- Dans la configuration monophasé, la machine doit être connectée à une ligne électrique avec une impédance maximale de $(0.142 + j0.089) \text{ Ohm}$.



220 - 240V



380-415V



G = Vert
W = Blanc
BL = Bleu

B = Noir
Y/G = Jaune/Vert
BR = Marron

- La machine est connectée à l'alimentation de réseau locale à travers le câble d'alimentation (2), qui comprend un interrupteur différentiel (3) avec des mesures appropriées pour l'absorption de puissance de la machine.

Connecter la machine en suivant les schémas électriques dans l'image.

Connexion équipotentielle (si présente)

Cette connexion (demandé par certaines standards) empêche des différences dans le potentiel électrique parmi les connexions de terre des dispositifs installés dans la même chambre.

Les machines réalisées pour cette typologie de connexion présentent une borne spécifique (4) sur la partie inférieure de la machine.

- Connecter un câble équipotentiel externe avec des mesures appropriées conformément aux normes courantes à la borne correspondante (4).



Les machines sans une borne de connexion équipotentielle ne doivent pas être installées dans les cuisines.

MISE EN SERVICE

9	MISE EN SERVICE	96
9.1	PREMIÈRE ACTIVATION.....	96

Chapitre 9

FR

9 MISE EN SERVICE

9.1 PREMIÈRE ACTIVATION

- Ouvrir le robinet de l'eau d'alimentation en amont de la machine.
- Alimenter la machine en plaçant l'interrupteur différentiel en amont de la machine dans la position ON.
- Appuyer sur le bouton "ON/OFF" (1). L'icône lumière allumée indique que l'alimentation de la machine est activée. Les écrans (2 et 3) s'allument aussi.
- La chaudière commence à se remplir automatiquement avec l'eau et l'échelle graduée "A" clignote sur les écrans (2)
- Quand le niveau MAX est rajouté, l'échelle graduée "A" reste fixe
- À la fin du remplissage, appuyer sur les boutons pour distribuer de l'eau des groupes plusieurs fois sans le porte-filtre à sa place.

Si le remplissage automatique n'est pas effectué pendant 120 seconds, la machine s'éteint et les LEDs sur le panneau des boutons du groupe clignotent. S'assurer que le robinet de l'eau d'alimentation soit ouvert. Arrêter la machine et l'allumer de nouveau pour compléter le remplissage de la chaudière.



- Vérifier que l'eau s'écoule correctement en purgeant toutes les bulles d'air présentes dans les circuits.
- Mettre le levier du vapeur (6) dans la position ouverte jusqu'à quand le vapeur sort de la buse à vapeur (5), ensuite remettre le levier (6) dans la position centrale.

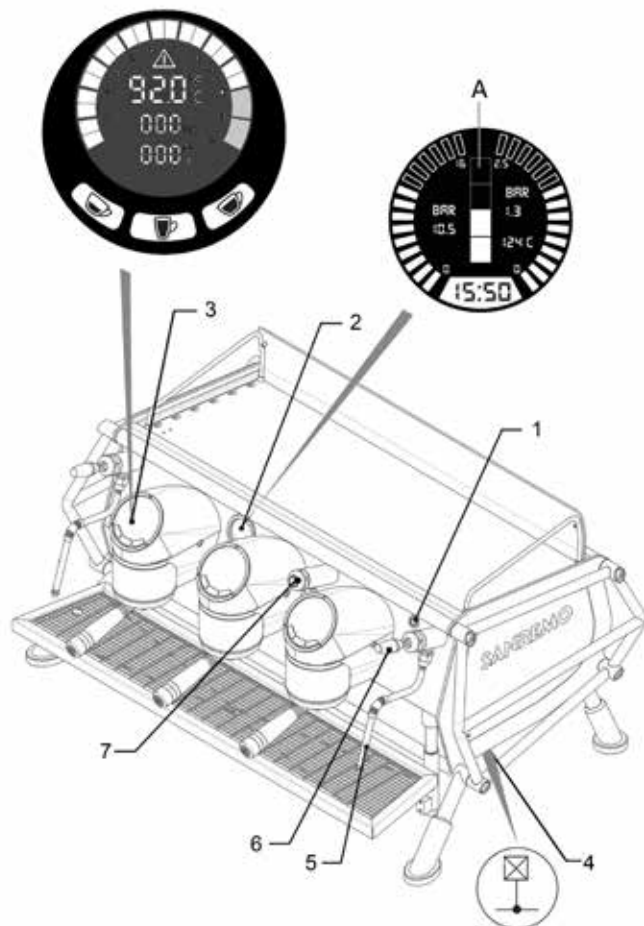


Pour éliminer complètement toutes les bulles d'air des circuits, appuyer sur le bouton 4.

- Attendre que la température de consigne de vapeur (255°F) et d'eau/café (199°F), indiquées sur l'écran (3) et sur les écrans des groupe (2) respectivement est rajoutée. Sur l'écran (2),

vérifier que la pression de la chaudière soit environ 1 - 1.2 bars (14,5 - 17,4 PSI) et que la pression principale en eau n'excédait pas 6 bars (87 PSI).

- Distribuer l'eau plusieurs fois en appuyant sur le bouton (7) pour éliminer toutes les bulles d'air dans le circuit



- Mettre une carafe au-dessous du bec (8) et distribuer de l'eau en appuyant sur le bouton (7), et vérifier que la distribution soit correcte. La distribution de l'eau s'arrête automatiquement à la fin du temps réglé.
- Positionner une carafe avec de l'eau et insérer le bec (5). Ouvrir le robinet du vapeur en déplaçant le levier (6) de la position verticale à celle horizontale (ouverture de 360°) et essayer de chauffer l'eau. Répéter la même opération avec le bec sur l'autre côté de la machine.
- Attacher les porte-filtres (9) aux têtes des groupes, mettre des tasses au-dessous d'eux et performer plusieurs distributions, activer les trois fonctions d'infusion en utilisant les boutons

correspondent (10).

- Vérifier la distribution correcte de l'eau dans la tasse.



IMPORTANT : nous vous recommandons les quantités maximales suivantes :

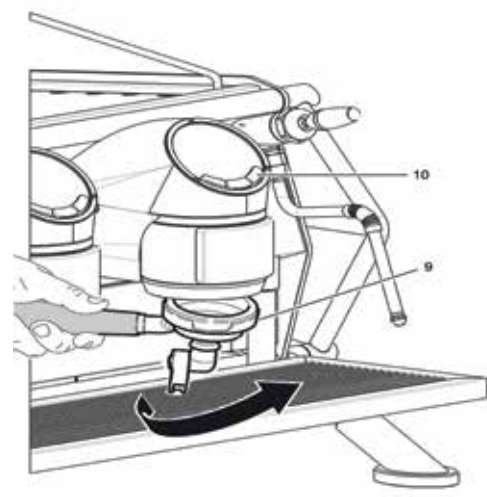
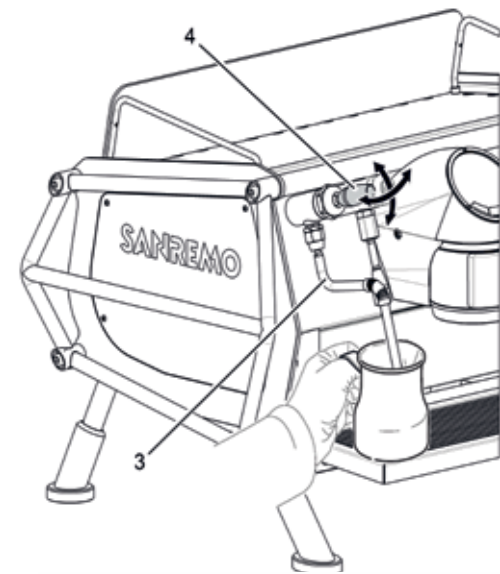
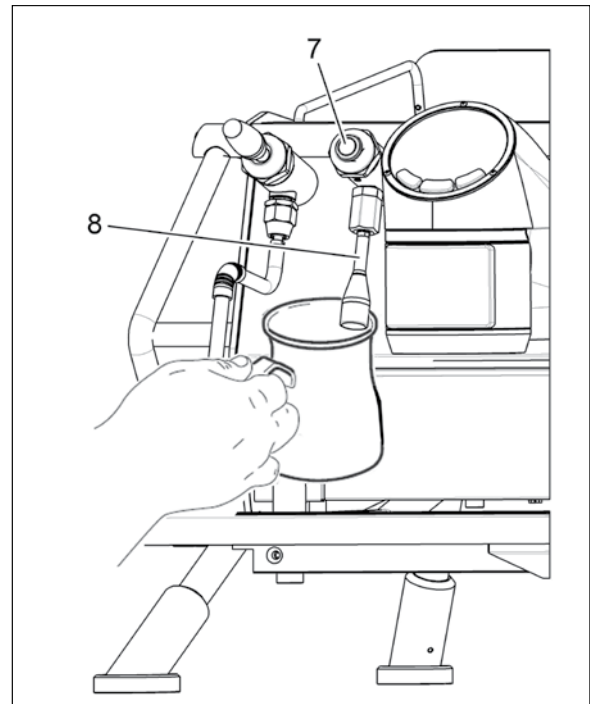
- 100 cc maximum de distribution continue de café pour chaque groupe
- 500 cc maximum de distribution continue d'eau chaude
- 30 seconds de distribution continue du vapeur.

- Vérifier que la pression de la pompe indiquée sur l'écran (2) soit d'environ 9 bars après la distribution.



IMPORTANT: Vérifier que la pression de la pompe pendant la distribution soit entre 8 et 9 bars (116-130 PSI). Si la pression n'est pas dans ce range, elle doit être fixée. Pour la fixer, contacter l'assistance technique.

- Eteindre la machine en appuyant sur le bouton (1), les écrans s'éteignent. Fermer le robinet de l'eau d'alimentation.



FR



REGLAGE DES FONCTIONS

10	REGLAGE DES FONCTIONS.....	100
10.1	REGLAGE DU MOULIN-DOSEUR.....	100
10.2	CONTROLE DE LA DISTRIBUTION DU CAFE.....	100
10.3	DERNIER RAPPELLE	100

Chapitre 10

FR

10 REGLAGE DES FONCTIONS



IMPORTANT : Certains fonctions de la machine (températures, langage, etc.) doivent être réglés par un technicien autorisé et spécialisé pendant le fonctionnement de la machine avec grand soin. Les opérations qui doivent être effectuées sont décrites dans le manuel technique

- Expliquer comment les opérations d'entretien et de nettoyage sont effectuées pour s'assurer du correct soin de la machine
- À la fin de la procédure d'installation, remplir le report d'installation.

10.1 REGLAGE DU MOULIN-DOSEUR



Installer, régler et préparer le moulin-doseur comme décrit dans le relatif manuel.

10.2 CONTROLE DE LA DISTRIBUTION DU CAFE

Distribuer quelque fois le café en suivant les instructions dans le chapitre 11 et vérifier la qualité du café.

- distribuer le café et vérifier que 20-30 cc du café soient distribués en 20-30 seconds ;
- Si ce n'est pas le cas, le mousser du café doit être réglé à travers le moulin-doseur. Une meulage plus fin fait augmenter le temps d'infusion tandis qu'une meulage plus gros le fait diminuer.
- S'assurer que le café livré/distribué ait les caractéristiques suivantes :
 - Crème d'une couleur blond-noisette
 - Consistance avec bulles fines
 - Durée de la crème de plus de 1 minute.



Ces indications ne sont pas contraignantes car la quantité et donc la qualité du café dépend du type du grain, du type d'eau et du climat.

10.3 DERNIER RAPPELLE

À la fin de l'installation, procéder comme suit :

- Former le personnel qui utilisera la machine, en préparant plusieurs cafés, cappuccinos, etc.

UTILISATION DE LA MACHINE

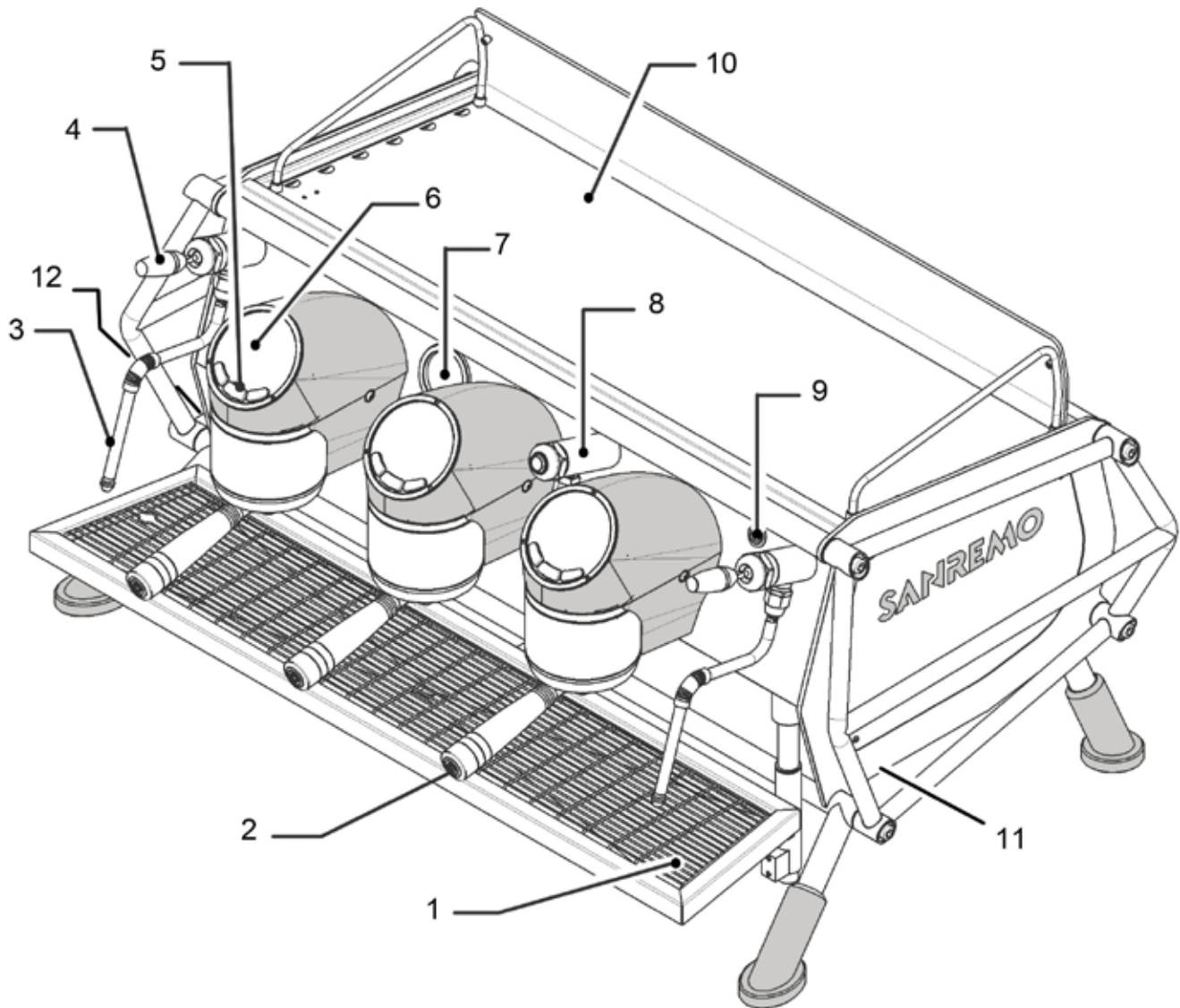
11	UTILISATION DE LA MACHINE	102
11.1	DESCRIPTION DES COMPOSANTS.....	102
11.2	DESCRIPTION DES CONTROLES	103
11.3	DISPLAY	104
11.4	PREPARER LE CAFE.....	105
11.5	PREPARER LE CAPPUCCINO	106
11.6	CHAUFFER LES BOISSONS	107
11.7	PREPARER TÉ, CAMOMILLE, ETC.....	107

Chapitre 11

FR

11 UTILISATION DE LA MACHINE

11.1 DESCRIPTION DES COMPOSANTS



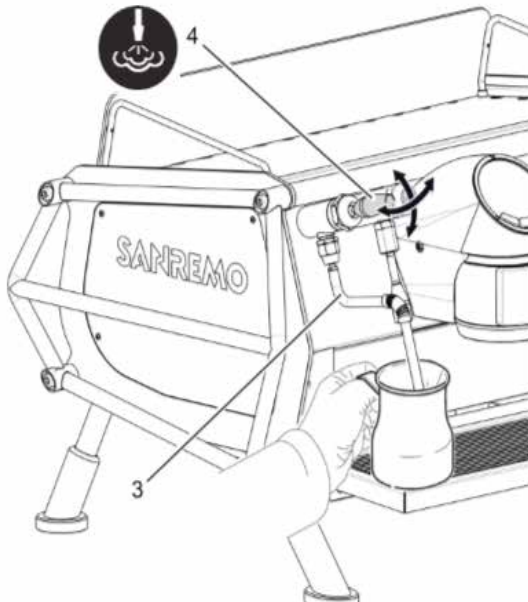
Légende

- | | |
|-----------------------------|-------------------------|
| 1. Plateau égouttoir | 7. Écran général |
| 2. Groupe avec porte-filtre | 8. Buse à eau |
| 3. Buse à vapeur | 9. Interrupteur général |
| 4. Pommeau du vapeur | 10. Chauffe-tasse |
| 5. Panneau des boutons | 11. Icône "Purge" |
| 6. Écran des paramètres | 12. Icône lumière |

11.2 DESCRIPTION DES CONTROLES

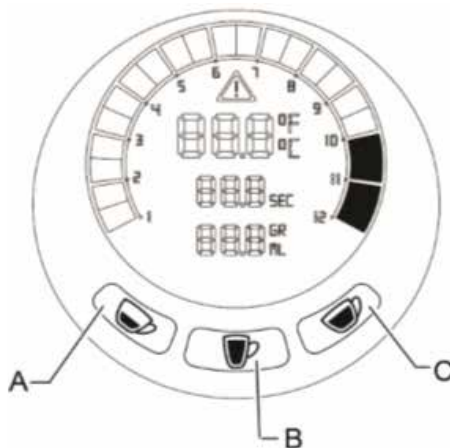
• POMMEAU DU VAPEUR (4) :

En déplaçant le pommeau (4) à toutes positions faire commencer la diffusion du vapeur depuis la buse (3) ; Pour l'arrêter, remettre la buse dans la position centrale.



• PANNEAU DES BOUTONS (5)

- A. Bouton café expresso
- B. Distribution continue
- C. Bouton café allongé



Bouton café expresso (A)

Pour distribuer un seul café :

Positionner une tasse sous le porte-filtre simple. Appuyer sur le bouton pour faire commencer la

distribution du café.

Le LED du bouton sélectionné reste allumé

Appuyer sur le bouton pour arrêter la distribution. Après 120 seconds, la distribution s'arrête automatiquement.

À la fin de la distribution, tous les LEDs des boutons s'allument.

Pour distribuer deux cafés :

Positionner une tasse sous le porte-filtre double. Appuyer sur le bouton deux fois pour faire commencer la distribution du café.

Les LEDs du bouton sélectionné reste allumé tout au long de la distribution, tandis que les autres s'éteignent

À la fin de la distribution, tous les LEDs des boutons s'allument.



Bouton de distribution continue (B) :

Positionner une tasse de taille appropriée pour la quantité de café requis sous la porte-filtre, puis appuyer sur le bouton pour faire commencer la distribution du café.

Les LEDs du bouton sélectionné reste allumé tout au long de la distribution, tandis que les autres s'éteignent.

Quand la quantité requise du café est atteinte, appuyer de nouveau sur le bouton pour arrêter la distribution. Après 120 seconds, la distribution s'arrête automatiquement.

À la fin de la distribution, tous les LEDs des boutons s'allument.



Bouton café allongé (C)

Pour distribuer un seul café :

Positionner une tasse sous le porte-filtre simple. Appuyer sur le bouton pour faire commencer la distribution du café.

Le LED du bouton sélectionné reste allumé tout au long de la distribution, tandis que les autres s'éteignent.

À la fin de la distribution, tous les LEDs des boutons s'allument.

Pour distribuer deux cafés :

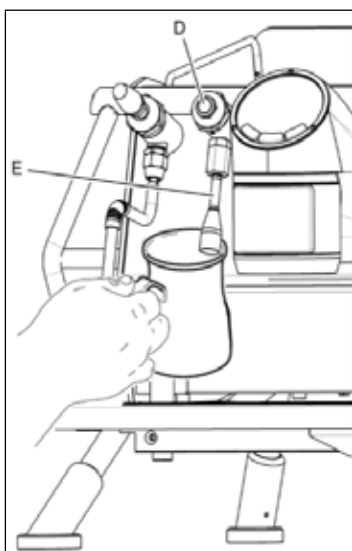
Positionner une tasse sous le porte-filtre double.

Appuyer sur le bouton deux fois pour faire commencer la distribution du café.

Les LEDs du bouton sélectionné reste allumé tout au long de la distribution, tandis que les autres s'éteignent

À la fin de la distribution, tous les LEDs des boutons s'allument.

• **BUSE À EAU (8) :**



Positionner une tasse de taille appropriée pour la quantité d'eau requise.

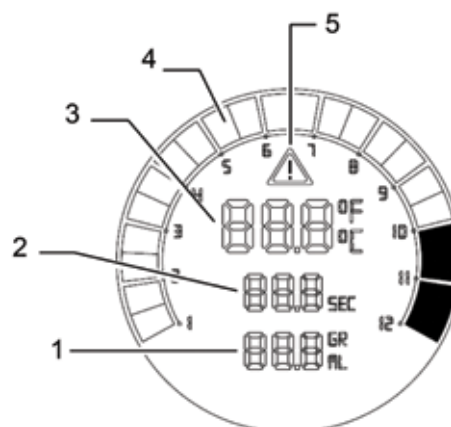
Appuyer sur le bouton (D) pour commencer la distribution, depuis le diffuseur (E), de l'eau chaude mixité à la température requise.

La distribution s'arrête automatiquement à la fin du temps de prise ou bien en appuyant sur le bouton (D).

FR 11.3 DISPLAY

Pendant le fonctionnement régulier de la machine, les écrans suivants sont montrés : les écrans qui sont montrés pendant la programmation sont décrits dans le chapitre correspondant.

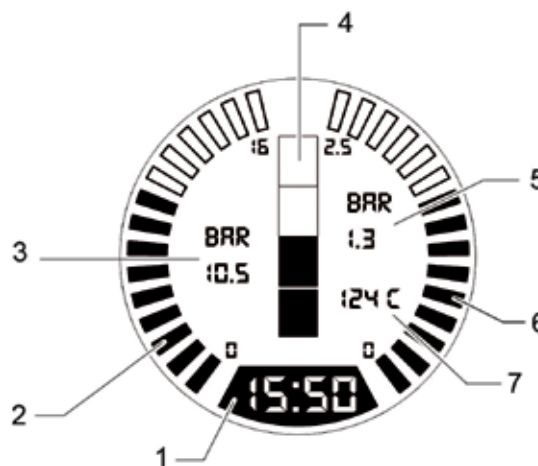
• **ÉCRAN DES PARAMÈTRES (6)**



Les informations suivantes sont montrées :

1. Volume (ml) de l'eau requis pour la préparation sélectionnée.
2. Temps de distribution du café en seconds.
3. Température de l'eau (the coffee water) dans le groupe.
4. Manomètre de la pompe
5. Alarme – dysfonctionnement.

• **ÉCRAN GÉNÉRAL (7):**



Les informations suivantes sont montrées :

1. Horloge
2. Manomètre pompe digitale
3. Pression de la pompe
4. Niveau de l'eau dans la chaudière à vapeur
5. Pression dans la chaudière à vapeur
6. Manomètre digital de la chaudière
7. Température de la chaudière

11.4 PREPARER LE CAFE

Règles générales pour préparer un bon café

- La tasse doit être chaude et donc elle devra être prise du chauffe-tasse. Si la tasse est froide, rincer la avec de l'eau chaude.
- Si la tasse est froide, l'abaissement soudain de température changerait le gout de l'expresso.
- Ne remplir jamais le porte-filtre à moins que vous deviez distribuer immédiatement le café. Le café moulu "brulerait" dans le group et l'expresso résultant serait très amère.
- Nous recommandons de moudre seulement la quantité de café dont vous avez besoin pour l'utilisation immédiate. Le café moulu laissé pendant longs périodes de temps perd son arôme et le gras devienne acide.

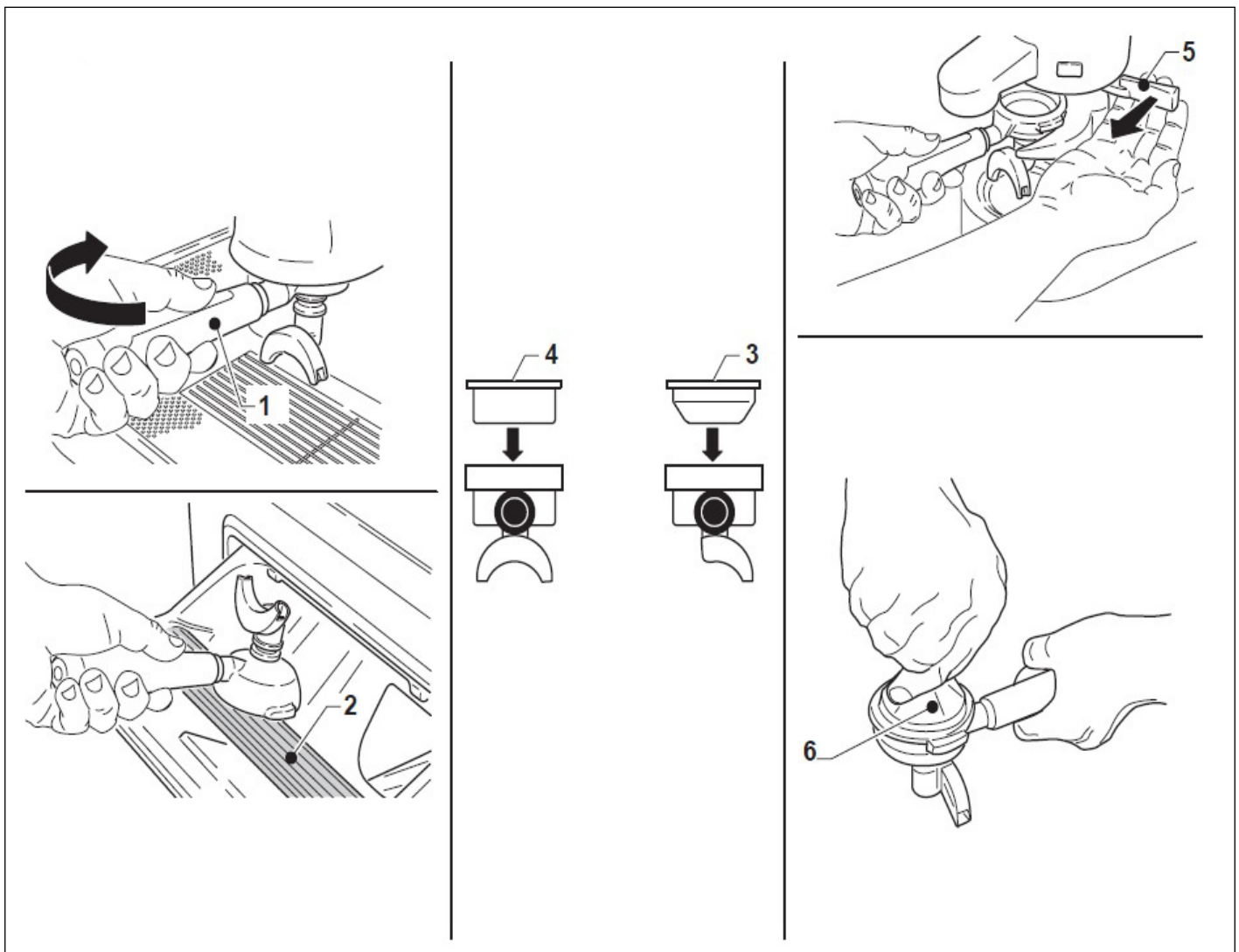
Distribuer le café

- Enlever le porte-filtre (1) de la tête du groupe en le tournant dans la direction indiquée de la flèche, le tourner à l'inverse et enlever le porte-filtre (1) le battre sur le plateau égoutter (2) pour le vider du café moulu.



IMPORTANT : Ne battre jamais le porte-filtre contre une surface non protégée car ce pourrait endommager le filtre, en détériorant le cacheter.

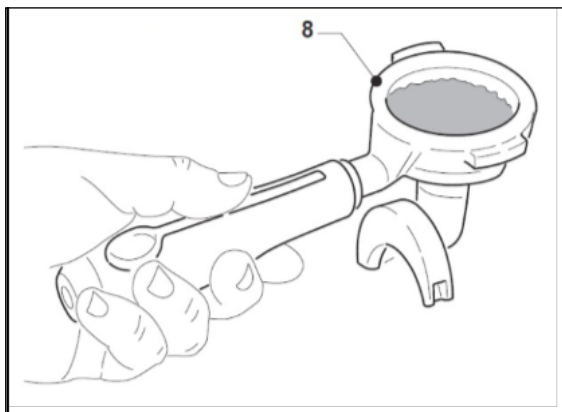
- Utiliser le filtre pour un café (3) ou deux (4) comme requis.
- Positionner le porte-filtre (1) dans le moulin-doseur ; actionner le levier (5) une fois pour un café ou deux fois pour deux cafés.



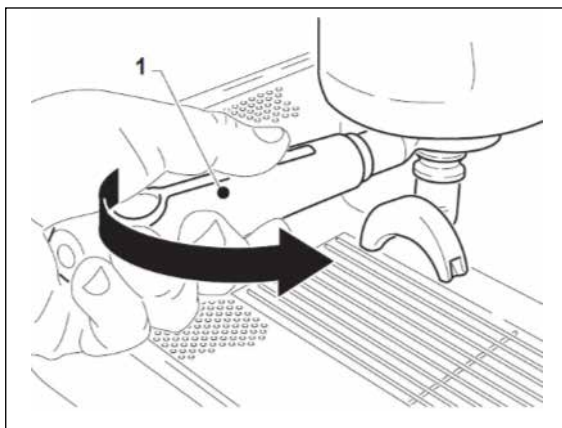


Le levier du moulin-doseur doit être entièrement tirée et ensuite relâchée, de sorte qu'elle retourne automatiquement à la position de repos.

- Tasser le café avec le mouture (6).
- Nettoyer les bords (8) du porte-filtres. Laisse du café moulu sur le bord du filtre peut détériorer le joint d'étanchéité en causant la fuite de l'eau et du café moulu.



- Fixer le porte-filtre (1) à la tête du groupe. Le tourner dans la direction indiquée par la flèche jusqu'à quand il s'arrête.



- Positionner la tasse ou les tasses sous le porte-filtre
- Sélectionner le type de café requis.

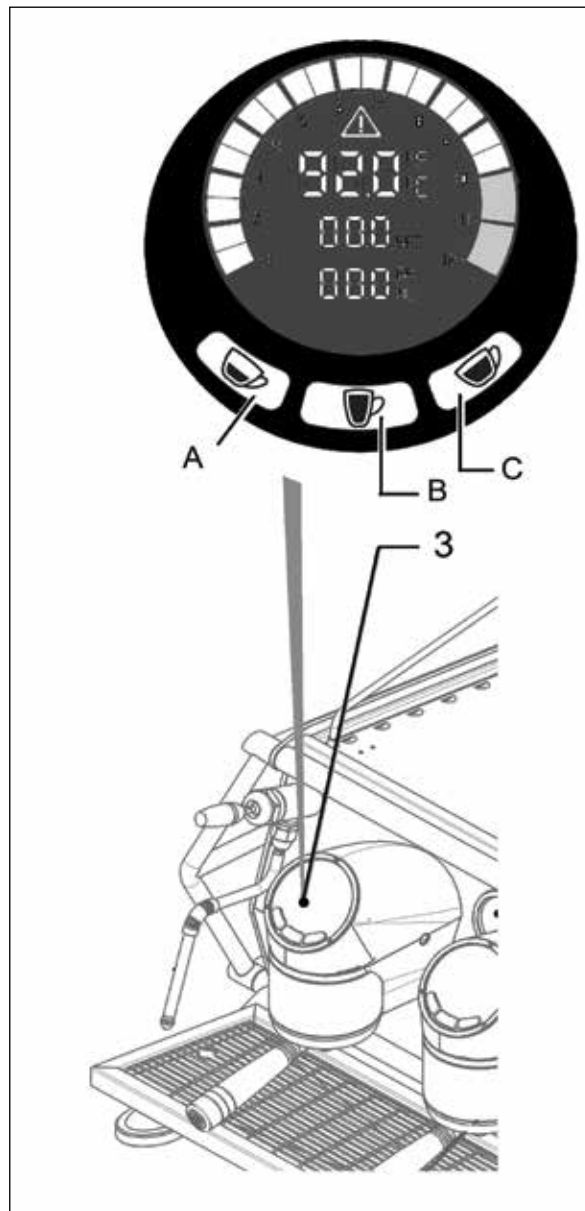
Bouton A = Café expresso

Bouton B = Distribution continue

Bouton C = Café allongé

Les LEDs sur le bouton pressé s'allume et l'écran (3) montre les paramètres d'extraction

- À la fin de la distribution, laisser le porte-filtre attaché à la tête du groupe jusqu'à quand vous voulez préparer un autre café



11.5 PREPARER LE CAPPUCCINO

Pour préparer un cappuccino professionnel mousser du lait frais ($\pm 140 - 149$ °F max) et la mousse obtenue est ensuite versée dans un expresso préparé précédemment.



IMPORTANT : Faire attention car le buse (1) devienne très chaude et peut causer des brûlures. Pour le bouger, ne le tenir que par la part recouverte de caoutchouc (3) exclusivement.

- Tirer la buse (1) sur la grille et activer le levier du vapeur (2) pour un/deux seconds pour la

vider de l'eau.

- Verser le lait dans le pot. Utiliser, idéalement, un pot en acier inoxydable avec un bec conique.
- Un cappuccino requis environ 125 cc (1/4 de litre) de lait.
- Incliner le pot, en tenant le bec de la buse du vapeur (1) jusqu'en dessous du niveau du lait. La buse ne doit être ni au centre du pot, ni rester sur le côté.
- Actionner le levier (2) pour activer la livraison du vapeur. Un tourbillonne se créera dans le pot en formant une mousse dense et crémeuse.
- Quand la température maximale du 149°F est rajoutée, arrêter la livraison du vapeur repositionnant le levier (2) dans la position centrale.
- Enlever la buse à vapeur du pot, taper doucement le fond du pot pour stabiliser les bulles, ensuite verser avec un mouvement ondulatoire la mousse dans un expresso préparé précédemment.
- Après avoir préparé chaque boisson, livrer du vapeur pendant quelque second pour éliminer tous les résidus. Pour prévenir la formation de déposé difficile à éliminer, nettoyer avant et après chaque distribution en utilisant un chiffon utilisé seulement pour cette opération et changé régulièrement.



11.6 CHAUFFER LES BOISSONS

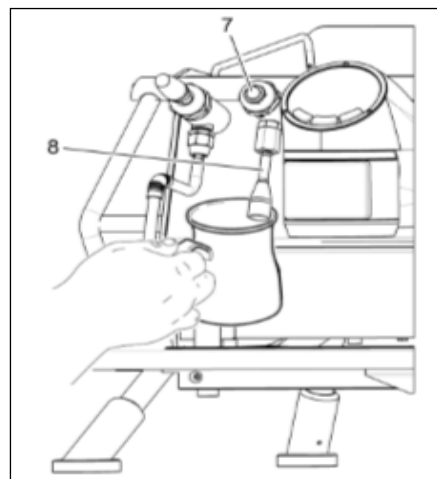
- Tirer la buse (1) sur la grille et activer le levier du vapeur (2) pour un/deux seconds pour la vider de l'eau.
- Verser la boisson dans le pot. Utiliser, idéalement, un pot en acier inoxydable avec un bec conique
- insérer la buse à vapeur (1) dans le pot et actionner le levier (2) pour activer la livraison du vapeur.
- Dès que la boisson est chaude, arrêter la distribution du vapeur en repositionnant le levier (2) dans la position centrale.
- Après avoir préparé chaque boisson, livrer du vapeur pendant quelque second pour éliminer tous les résidus. Pour prévenir la formation de déposé difficile à éliminer, nettoyer avant et après chaque distribution en utilisant un chiffon utilisé seulement pour cette opération et changé régulièrement.



IMPORTANT : Faire attention car le buse (1) devienne très chaude et peut causer des brûlures. Pour le bouger, ne le tenir que par la partie recouverte de caoutchouc (3) exclusivement.

11.7 PREPARER TÉ, CAMOMILLE, ETC.

- Positionner le pot sous la buse à eau (8).
- Taper le bouton (7) pour distribuer l'eau chaude la distribution s'arrêtera à la fin du temps fixé.
- Ajouter le produit requis.





PROGRAMMATION

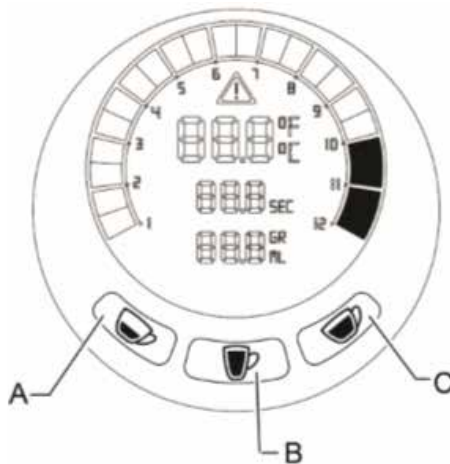
12	PROGRAMMATION	110
12.1	PROGRAMMER LES DOSES	110
12.2	PROGRAMMER LES FONCTIONS AVEC L'ECRAN DES PARAMETRES DU GROUPE	111
12.2.a	PROGRAMMER LA TEMPERATURE DU GROUPE DE L'EAU DU CAFE.....	111
12.2.b	PROGRAMMER LA TEMPERATURE ET L'ASCENSION DU CHAUFFE-TASSE.....	112
12.2.c	PROGRAMMER LA PRE-INFUSION.....	112
12.2.d	PROGRAMMER LES DOSES	113
12.3	PROGRAMMER LES FONCTIONS AVEC L'ECRAN GENERAL	113
12.4	SORTIR DE LA MODALITE DE PROGRAMMATION.....	115
12.5	SYSTEME DE PURGE DES CIRCUITS DU CAFE	115
12.6	FONCTION « ENERGY SAVING »	115

Chapitre 12

FR

12 PROGRAMMATION

La machine peut être programmée en utilisant les boutons A, B et C des groupes.



PROGRAM. DOSES
SELECTION EN 30 S

12.1 - PROGRAMMER LES DOSES

La quantité de café peut être programmée pour tous les boutons sauf celui de la distribution continue (B).



IMPORTANT : Programmer les panneaux à gauche, faire transférer automatiquement les doses fixés pour les autres panneaux.

- Les doses de café peuvent être personnalisée séparément pour chaque groupe, en repentant pour ce groupe-là, les opérations effectuées sur le groupe à sa gauche.

FR Programmer les doses du café

Activer la machine comme décrit dans le chapitre relatif.

Pour programmer la dose de café, procéder comme suit :

- Attacher le porte-filtre avec du café au groupe de gauche comme décrit dans le chapitre "utilisation de la machine".
- Positionner une ou deux tasses sous le groupe selon la préparation que vous voulez préparer.
- Appuyer et tenir sur le bouton (B) pendant au moins 5 seconds, jusqu'à ce que la lumière sur le bouton clignotât et «programming doses select in 30 secs » clignote sur l'écran.

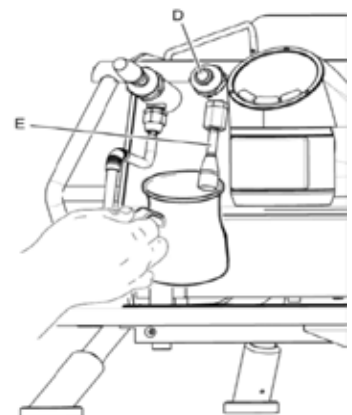
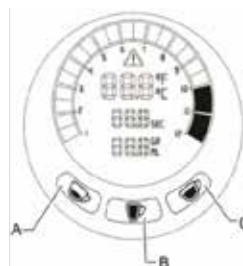
- Dans 30 seconds, appuyer sur le bouton correspondant au type de café que vous voulez programmer (par exemple, bouton (A) pour un expresso single).

Pendant la distribution, le LED sur le bouton (A) reste allumé, les autres s'éteignent et le LED sur le bouton (B) clignote.

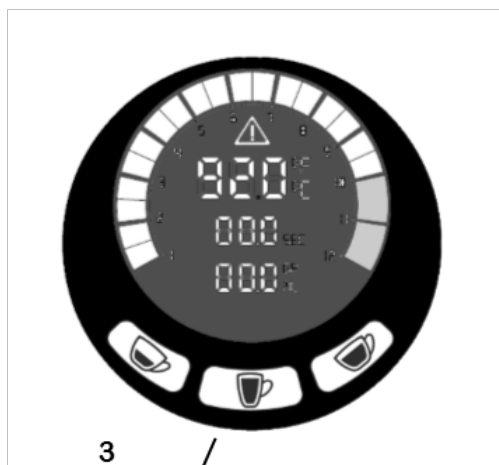
- Quand la quantité de café requise a été distribuée dans la tasse, appuyer sur le bouton (A) pour arrêter la distribution. La quantité de café distribuée pour ce bouton-là sera sauvée.
- S'il est nécessaire, répéter les opérations susmentionnées pour programmer les autres boutons. La machine sort de la modalité de programmation après 30 secondes après avoir appuyé sur le dernier bouton.

Programmer la quantité pour le té

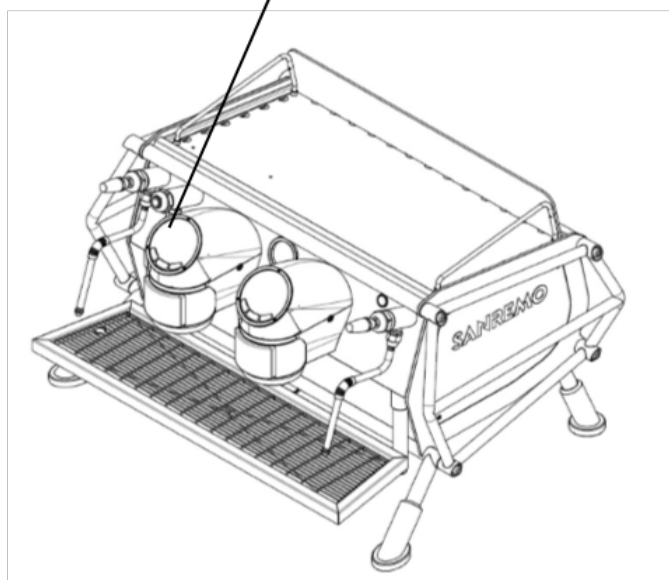
- Accéder à la modalité de programmation comme décrit pour le café. Quand le bouton (B) clignote, appuyer sur le bouton (D) pour activer la distribution de l'eau chaude. Quand la quantité requise est rajoutée, appuyer encore sur le bouton (D) pour arrêter la distribution.
- La machine sort de la modalité de la programmation après 30 seconds après avoir appuyé sur le dernier bouton.



12.2 PROGRAMMER LES FONCTIONS AVEC L'ECRAN DES PARAMETRES DU GROUPE



3



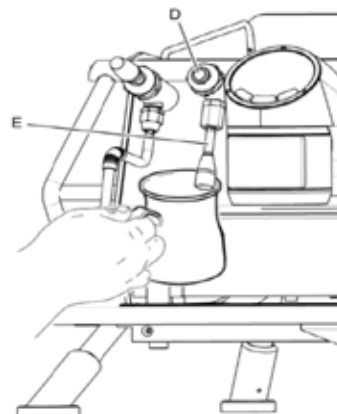
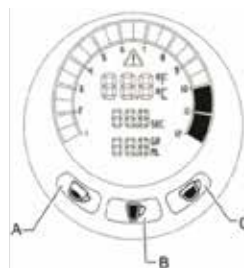
Les paramètres suivants peuvent être modifiés en utilisant l'écran (3) :

- Régulation de la température du groupe de l'eau pour le café ;
- Augmentation de la température et fonction ON/OFF du chauffe-tasse ;
- Fonctions de pré-infusion ;
- Fonctions de régulation des doses.



IMPORTANT : Le chauffe-tasse peut être programmé seulement du panneau à gauche.

Pour ouvrir le menu des fonctions, appuyer en même temps sur le bouton (B) du premier group et sur le bouton (D).



- Pour passer à la fonction successive, appuyer sur le bouton (B)
- Les fonctionnes peuvent être personnalisées séparément pour chaque groupe en repentant sur ce groupe-là les opérations effectuées sur le groupe plus proche à gauche.

12.2.a PROGRAMMER LA TEMPERATURE DU GROUPE DE L'EAU DU CAFE

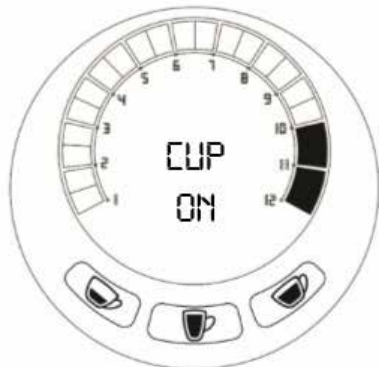
L'écran suivant est montré



- Pour changer la température, appuyer sur les boutons (A) et (C) pour réduire ou augmenter le valeur des paramètres ;
- Appuyer sur le bouton (B) pour sauver le paramètre indiqué et procéder avec la fonction successive.

12.2.b PROGRAMMER LA TEMPERATURE ET L'ASCENSION DU CHAUFFE-TASSE

L'écran suivant est montré :



- Le chauffe-tasse peut être "ENABLE" or "DISABLED" en appuyant sur le bouton (A) ou (C).
- Si la fonction de chauffe-tasse est activée avec le bouton (B), l'écran suivant est montré :



- FR
- Pour modifier la température du chauffe-tasse, appuyer sur les boutons (A) et (C) pour réduire ou augmenter le valeur du paramètre ;
 - Appuyer sur le bouton (B) pour sauver le paramètre indiqué et procéder avec la fonction successive.

12.2.c PROGRAMMER LA PRE-INFUSION

- L'écran suivant est montré :



- La fonction de pré-infusion peut être "ENABLE" or "DISABLED" en appuyant sur le bouton (A) ou (C).
- si la fonction de pré-infusion est activée avec le bouton (B), l'écran suivant est montré :



- Pour modifier la durée de la fonction de pré-infusion appuyer sur les boutons (A) et (C) pour réduire ou augmenter le valeur du paramètre
- Appuyer sur le bouton (B) pour sauver le paramètre indiqué et continuer la programmation de la pré-infusion pour les autres préparations.

P 1	Café expresso simple
P 2	Café allongé simple
P 3	Café expresso double
P 4	Café allongé double

- Appuyer sur le bouton (B) pour procéder à la fonction successive



IMPORTANT: il n'est pas possible d'activer la pré-perfusion sur la touche B

12.2.d PROGRAMMER LES DOSES

- L'écran suivant est montré :



- Pour modifier la quantité d'eau émise pour distribuer le café appuyer sur les boutons (A) et (C) pour réduire ou augmenter le valeur du paramètre
- Appuyer sur le bouton (B) pour sauver le paramètre indiqué et continuer la programmation de la pré-infusion pour les autres préparations.

D 1	Café espresso simple
D 2	Café allongé simple
D 3	Café espresso double
D 4	Café allongé double
DC	Bouton central (B)

- Appuyer sur le bouton (B) pour procéder à la fonction successive

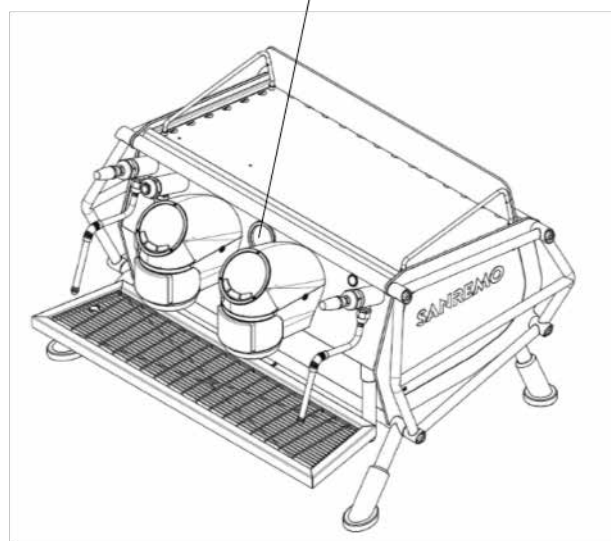


IMPORTANT: après avoir programmé le texte central (B), il est possible de se dispenser en continu en appuyant deux fois sur la touche (B)

12.3 PROGRAMMER LES FONCTIONS AVEC L'ECRAN GENERAL



2



Les fonctions suivantes peuvent être programmées et vues avec l'écran (2) :

- Réglage du temps, auto-on/auto-off et "jour de la semaine" ;
- Statistiques ;
- Lavage complet des groupes.

Pour accéder à ce menu de réglage, appuyer et tenir sur le bouton (B) du premier group pour 10 seconds.

L'écran suivant est montré :



- Pour modifier le réglage du temps, appuyer sur

le bouton (A) du deuxième groupe.

- Pour continuer et modifier la fonction suivante, appuyer sur le bouton (B) du premier groupe.

Si vous avez décidé de modifier la fonction du temps, l'écran suivant est montré :



Le valeur modifiable clignote. Pour changer le valeur, appuyer sur les boutons (A) ou (C), ensuite appuyer sur le bouton (B) pour confirmer le choix et avancer au valeur modifiable successif.

Appuyer sur le bouton (B) pour régler le temps d'auto-allumage.

Comme alternative au mode OFF, il est possible de régler le mode ECO qui maintient la machine active dans la phase ECO3/ECO4 du mode « Energy saving » expliqué dans le chapitre dédié.

L'écran suivant est montré :

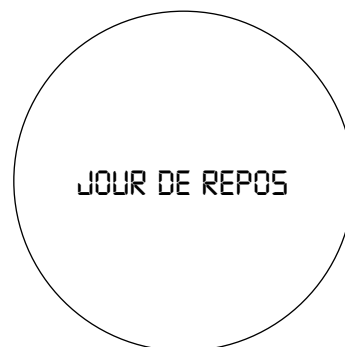


Pour changer les valeur, appuyer sur le bouton (A) ou (C), ensuite, appuyer sur le bouton (B) pour confirmer votre choix et avancer et modifier le paramètre successif.

IMPORTANT : Un fois que le temps est réglé sur l'écran de l'auto-ON, la machine s'allume automatiquement à l'horaire sélectionné, prêt à préparer du café de que l'opérateur arrive. Pour désactiver la fonction d'auto-allumage, régler le temps sur "--:--".



La machine s'allume automatiquement si la fonction est activée (avec le temps réglé) et s'elle a été arrêtée à partir de l'écran (voir le chapitre "allumer la machine") ou avec la fonction auto-OFF.



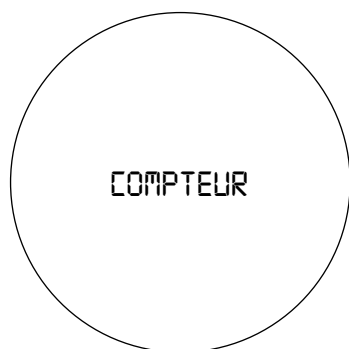
- Un jour de repos peut être programmer et la machine ne s'allumera pas automatiquement ce jour-là.

L'écran suivant est montré :

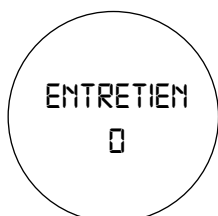
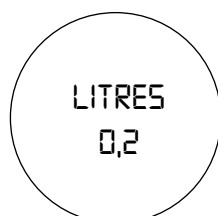


- Le jour de repos est réglé avec les bouton (A) et (C).
- Après avoir réglé le jour de repos, pour continuer à modifier les autres fonctions, appuyer sur le bouton (B).

L'écran suivant est montré :

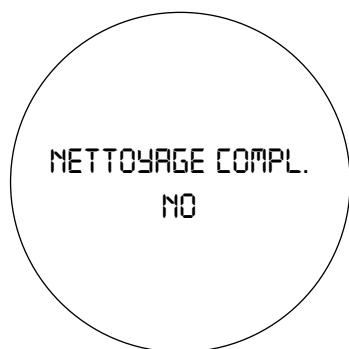


- En appuyant sur le bouton (B) les écrans suivants sont montrés
- Ils montrent des données à propos de :
 - les litres d'eau utilisés pour préparer les cafés
 - Etat de l'entretien de la machine
 - Cafés distribués en total.



Appuyer sur le bouton (B) pour sélectionner le lavage simultané des toutes les têtes des groupes.

Le lavage complet des toutes les têtes des groupes peut être active avec le bouton (A) ou (C) pour sélectionner "YES" ou "NO" sur l'écran suivant :



IMPORTANT : avant de commencer le lavage complet, préparer la machine comme décrit dans le chapitre « lavage automatique des groupes ».

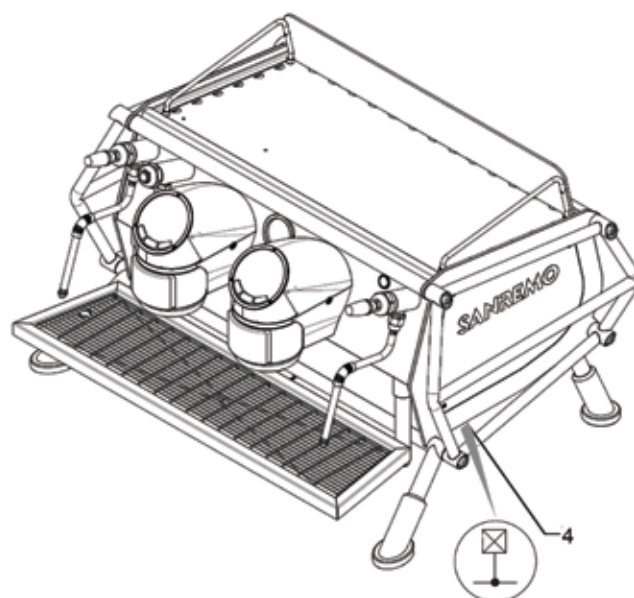
12.4 SORTIR DE LA MODALITE DE PROGRAMMATION

Appuyer sur le bouton (B) pour quitter la modalité de programmation et retourner à l'écran général.

12.5 SYSTEME DE PURGE DES CIRCUITS DU CAFE

S'assurer de vérifier les circuits du café régulièrement (une fois par semaine) en appuyant sur le bouton PURGE (4) pour 30 seconds minimum.

Ça élimine toutes les bulles d'air qui se seront formées accidentellement, en plus, faire attention si les doses programmées restent constantes.



12.6 FONCTION « ENERGY SAVING »

La machine est dotée de la fonction « Energy saving » (désactivée par défaut) qui la met automatiquement en mode d'économie d'énergie après 90 minutes d'inactivité (aucune distribution de café ni d'eau chaude). Le mode est réparti en 4 phases différentes (appliquées à tous les groupes simultanément) :

ECO 1 : après une heure d'inactivité, le point de consigne du groupe et de la petite chaudière de préchauffage est diminué de 50 °F par rapport à leur point de consigne et la chaudière services est amenée à 246 °F.

ECO 2 : trois heures après ECO 1, le point de consigne du groupe et de la petite chaudière de préchauffage est diminué de 68 °F par rapport à

leur point de consigne et la chaudière services est amenée à 212 °F.

ECO 3 : une heure après ECO 2, le point de consigne du groupe et de la petite chaudière de préchauffage passe à 122 °F et la chaudière services à 176 °F ; le chauffe-tasses s'éteint.

Cette étape est suivie par une phase ECO 4 qui est activée lorsque la température de la chaudière services descend en dessous de 140 °F, ce qui ramène la chaudière à 176 °F pour revenir cycliquement à ECO 3.

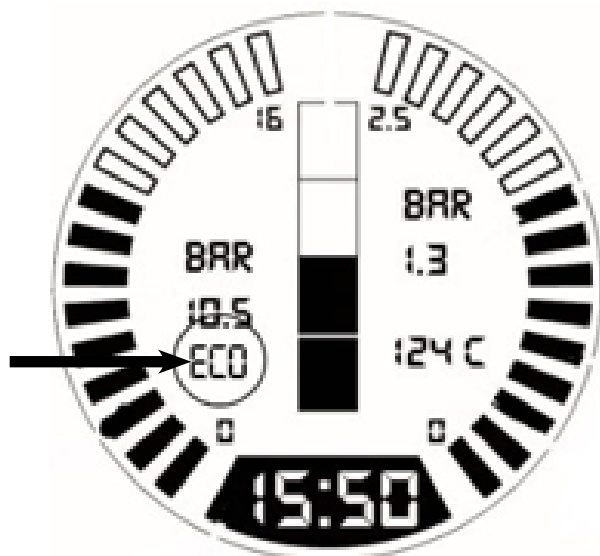
Tous les écrans de groupe affichent la phase ECO dans laquelle se trouve la machine.

Pour sortir de ce mode, se servir du programmateur horaire ou appuyer brièvement sur le bouton (C) clignotant du groupe 1 ; les températures normales sont rétablies, de même que l'état du chauffe-tasses.

Pour activer cette fonction automatique, accéder au menu de groupe en appuyant sur la touche (B) et ensuite sur la touche (D), en maintenant toujours la touche (B) enfoncée ; la deuxième rubrique du menu correspond au message « ECO », choisir à l'aide des touches (A) et (C) entre OFF et ON et confirmer le choix à l'aide de la touche (B). En cas de ON, l'écran de la machine affiche le message « ECO » comme indiqué sur l'image :

Même si l'accès automatique au mode Energy Saving est désactivé, il est toujours possible d'activer cette fonction manuellement en répétant deux fois la séquence de touches suivante : appuyer sur la touche (B) et ensuite sur la touche (C), en maintenant toujours la touche (B) du premier groupe enfoncée. La machine passe immédiatement à la phase ECO 1 et procède ensuite indépendamment aux autres phases comme décrit ci-dessus.

Appuyer sur la touche (C) clignotante du groupe 1 pour quitter le mode. Si le programmateur est actif, la machine reste en mode Energy Saving jusqu'au prochain créneau horaire d'allumage.



FR

ALLUMAGE, ARRÊT ET ALLUMER

13	ALLUMAGE ET ARRÊT DES GROUPES	118
14	ALLUMAGE ET ARRÊT LA MACHINE	118
15	ALARME	118

Chapitres 13 -14 -15

FR

13 ALLUMAGE ET ARRET DES GROUPES

Le chauffage d'un ou des plusieurs groupes peut être activé ou arrêté.

Pour arrêter le group, appuyer sur le bouton (B) et (C) ensemble, sur le panneau relatif. .



IMPORTANT : arrêter le panneau à gauche fait arrêter automatiquement tous les autres.

Quand le group est éteint, l'écran suivant est montré :



Pour allumer de nouveau le group, appuyer au même temps sur les boutons (B) et (C).

14 ALLUMAGE ET ARRET LA MACHINE



IMPORTANT : Nous recommandons d'éteindre la machine seulement s'elle ne sera pas utilisée pendant plus de 8 heures. Cela limite l'accumulation de calcaire et fait épargner électricité.



IMPORTANT : Avant d'arrêter la machine, la nettoyer comme décrit dans le chapitre 20.

- Si la fonction d'auto-ON est active, éteindre la machine en appuyant sur les bouton (B) et (C) du premier groupe au même temps, et en laissant l'interrupteur principal dans la position d'allumage.

- Dans cet état, pour allumer la machine avant

l'auto-allumage, appuyer sur le bouton (C) du premier groupe-café.

- Si la fonction d'auto-ON est désactivée, éteindre la machine en mouvant l'interrupteur général sur la position OFF, éteindre le disjoncteur d'amont de la machine et fermer le robinet de distribution de l'eau.

15 ALARMES

Pas du café/eau distribué par le group

- Si le groupe ne distribue pas le café ou (avec le porte-filtre détaché) eau, le bouton sélectionné clignote pour indiquer l'alarme.

Machine en stand-by

- Si la machine entre accidentellement en modalité stand-by, l'écran s'éteint et le LED sur le bouton (C) du premier group à gauche clignote.
- Pour quitter la modalité stand-by, appuyer sur le bouton (C) et la machine s'allume de nouveau.

Alarme de remplissage

- Si la machine détecte des anomalies avec le remplissage ou avec la chaudière, 120 seconds après le remplissage, une alarme s'active et l'échelle de remplissage sur la chaudière clignote sur l'écran (2)
- Pour éteindre l'alarme, vérifier le circuit de distribution de l'eau. Quand la distribution de l'eau est rétablie, l'alarme s'éteint automatiquement.

RECHERCHE DE PANNE

16	RECHERCHE DE PANNE.....	120
----	-------------------------	-----

Chapitre 16

FR

16 RECHERCHE DE PANNE

Ci-dessous il y a une liste des fautes et dysfonctionnements qui peuvent se présenter pendant l'utilisation de la machine. Pour des problèmes qui ne sont pas contenus dans le table, contacter l'assistance technique.

PROBLÈMES	CAUSES	SOLUTIONS
L'écran du niveau de la chaudière clignote.	Les robinets principaux de l'eau ou de filtre purificateur sont fermés.	Ouvrir le robinet
	Dysfonctionnement du remplissage de la chaudière	Eteindre l'alimentation pendant au moins 5 seconds, ensuite l'allumer avec le bouton ON-OFF.
		Appeler l'assistance technique
Pas d'eau distribuée par le groupe	Les robinets principaux de l'eau ou de filtre purificateur sont fermés.	Ouvrir le robinet
	Le filtre sur la prise d'eau du filtre est bouché.	L'enlever et le nettoyer Vérifier la régénération du filtre de purification de l'eau
	Gigleur bouché	Appeler l'assistance technique
L'eau ne se chauffe pas	Elément chauffant brûlé	Appeler l'assistance technique
	Dysfonctionnement du capteur de température	Appeler l'assistance technique
Remplissage continu de l'eau (le niveau clignote)	Capteur du niveau défectueux	Appeler l'assistance technique
La dose distribuée n'est pas régulière	Doseur volumétrique défectueux	Appeler l'assistance technique
La buse à vapeur perte avec le robinet fermé	Joint défectueux	Appeler l'assistance technique
Fuit du vapeur à partir du bas du robinet si ouvert	Joint du robinet défectueux	Appeler l'assistance technique

Café utilisé insuffisant	Le café moulu est trop fin ou trop gros	Vérifier le temps de moulage et/ou fixer la grosseur du café moulu
	Rideau de douche et filtre partialement bouché	Appeler l'assistance technique
Café coule entre la tête du groupe et le porte-filtre pendant la distribution	Joint de la tête du groupe défectueux ou coté du filtre impropre	Appeler l'assistance technique
Le café coule des côtés du porte-filtres	Saleté dans le porte-filtre qui empêche la distribution du café du bec	Nettoyer
	Joint du groupe usé	Remplacer
	Rideau de douche bouché	Nettoyer ou remplacer
Le café est trop froid	La machine n'est pas prête	Attendre que la température est rajouté
L'eau n'est pas distribuée	Robinet de l'eau fermé	Ouvrir le robinet
	Électrovanne de distribution défectueux	Appeler l'assistance technique
	Circuit de distribution bouché	Appeler un technicien pur détartrer la machine
Le café est distribué trop lentement ou il n'est pas distribué	Niveau de l'eau insuffisant	Vérifier le niveau de l'eau
	Trou du porte-filtre bloqué	Nettoyer à fond le porte-filtre avec un détergent spécifique ou un cure-dents
	Café moulu trop fin	Fixer le moulin-doseur
Le vapeur n'est pas distribué	Injecteur de distribution obstrué	Nettoyer
	Circuit de distribution bouché	Appeler un technicien pur détartrer la machine
	Robinet à vapeur défectueux	Appeler l'assistance technique



MISE HORS DE SERVICE TEMPORAIRE

17	MISE HORS DE SERVICE TEMPORAIRE	124
17.1	REACTIVER LA MACHINE	124
18	VERIFIER LA MACHINE APRÈS INACTIVITÉ PROLONGÉE.....	124

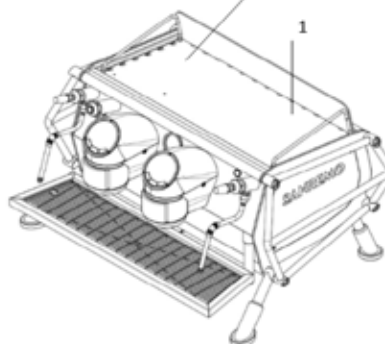
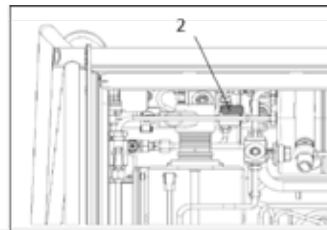
Chapitres 17 - 18

FR

17 MISE HORS DE SERVICE TEMPORAIRE

Si la machine ne sera pas utilisée pendant une longue période, procéder comme suit :

- exécuter l'entretien.
- débrancher la fourniture d'eau et d'électricité.
- vider la chaudière de l'eau comme suit :
- enlever la partie supérieure du chauffe-tasse (1).



IMPORTANT : Avant de faire ça, s'assurer que la machine soit éteinte (interrupteur sur OFF en amont de la machine), que le robinet de l'eau soit fermé et que l'eau dans la chaudière soit froide.

- Vider la chaudière en ouvrant le robinet (2).
- Couvrir la machine avec un chiffon de coton and la mettre dans un lieu sans poudre et sans humidité

17.1 REACTIVER LA MACHINE

Pour utiliser de nouveau la machine procéder comme suit :

- Nettoyer la machine au fond.
- Distribuer de l'eau à partir du robinet du séparateur en amont de la machine pour éliminer les résidus du circuit.
- Nettoyer ou remplacer les filtres en amont de la machine.
- Fermer le robinet (2) et remettre le chauffe-tasse
- Exécuter les opérations d'allumage décrits dans le chapitre relatif



18 VERIFIER LA MACHINE APRÈS INACTIVITÉ PROLONGÉE



IMPORTANT: Après inactivité prolongée, la machine doit être contrôlée par un technicien spécialisé.

Avant d'utiliser la machine, les opérations suivantes doivent être exécutés :

- Nettoyer la machine au fond.
- Distribuer de l'eau à partir du robinet du séparateur en amont de la machine pour éliminer les résidus du circuit.
- Nettoyer ou remplacer les filtres en amont de la machine.
- Rebrancher l'approvisionnement d'eau et de l'électricité comme décrit dans le chapitre "installation" de ce livret.
- Vérifier qu'il n'y a pas des fuites dans le système d'approvisionnement de l'eau.
- Activer la machine et exécuter les opérations décrits dans le chapitre 4 de ce livret d'instruction.



NETTOYAGE

19	NETTOYAGE	126
19.1	AVERTISSEMENT GENERAL CONCERNANT LE NETTOYAGE	126
19.2	ENTRETIEN DE ROUTINE.....	126
19.2.a	LAVAGE AUTOMATIQUE DES GROUPS.....	126
19.2.b	LAVAGE COMPLET DES GROUPES.....	127
19.2.c	NETTOYAGE QUOTIDIEN	128
19.3	ENTRETIEN PROGRAMMÉ (TECHNICIEN).....	129
19.4	ENTRETIEN EXCEPTIONNEL (TECHNICIEN).....	129

Chapitre 19

FR

19 NETTOYAGE

19.1 AVERTISSEMENT GENERAL CONCERNANT LE NETTOYAGE

Les opérations suivantes sont interdites:

- nettoyer la machine avec jets d'eau ;
- Utiliser un détergent à base d'alcool ou ammoniacque ou bien un tampon abrasif pour nettoyer la machine. UTILISER seulement détergents spécifiques pour le lavage des machines à café ou des vaisselles.
- Il faut faire attention pendant le nettoyage et l'installation de la machine et n'utiliser pas des détergents dangereux pour les composants et pour l'environnement (plus de 90% dégradable)
- Nettoyer complètement toutes les parties de la machine.
- Le nettoyage et l'entretien par l'utilisateur ne doivent pas être performés par des enfants sans supervision.

IMPORTANT : Toutes les opérations d'entretien doivent être effectuées avec la machine arrêtée, froide et avec l'interrupteur principal sur la position "O" pour OFF. Certaines opérations d'entretien doivent être effectuées avec la machine en fonction. Faire très attention.



FR



IMPORTANT : pour régénérer or activer l'adoucisseur d'eau, suivre les instructions dans le livret relatif.

19.2 ENTRETIEN DE ROUTINE

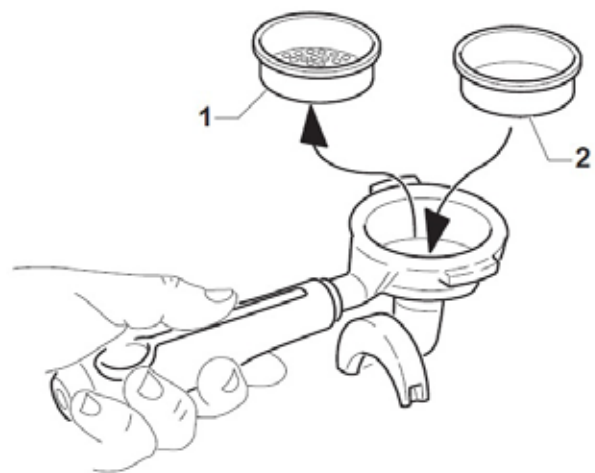
L'entretien de routine comprend toutes les opérations qui doivent être effectuées chaque jour après avoir utilisé la machine.

19.2.a LAVAGE AUTOMATIQUE DES GROUPS

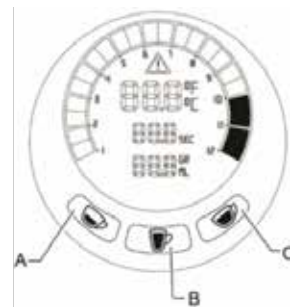


IMPORTANT : Le lavage automatique des groupes est effectué avec la machine en activité.

- Enlever et vider le porte-filtre.
- Enlever le filtre (1), insérer le filtre aveugle (2) et ajouter des détergents spécifiques pour machines-à-café. Suivre les indications sur l'emballage du détergent pour la quantité.



- Replacer le porte-filtre dans la machine et appuyer au même temps sur les boutons (A) et (B) du groupe. Le cycle de lavage s'active automatiquement et les LEDs sur les boutons (A) et (B) clignotent.
- À la fin du lavage, les LEDs sur les boutons (A) et (B) s'éteignent.



- Enlever le porte-filtre et vider la saleté contenue dans le filtre aveugle en le rinçant sous l'eau courante.
- Remettre à sa place le filtre et répéter l'opération sans utiliser détergents dans le filtre aveugle. Ça rince la machine.

- À la fin du rinçage : enlever le porte-filtre, remplacer le filtre-aveugle avec celui normal et distribuer un café pour éliminer des goûts désagréables.

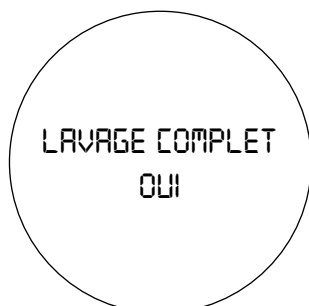


IMPORTANT : La procédure de lavage doit être performée sur toutes les groups de la machine.

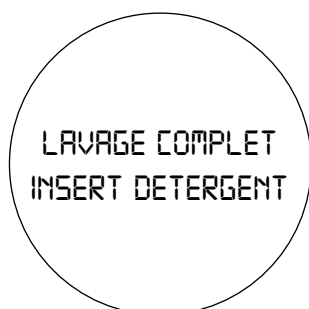
19.2.b LAVAGE COMPLET DES GROUPES

Un lavage au fond peut être performé au même temps sur tous les groups de la machine.

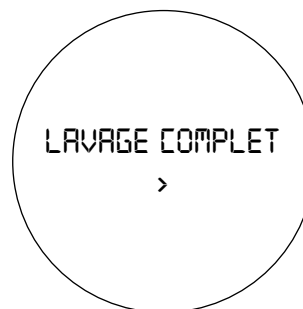
- Pour activer la procédure, accéder à la fonction de programmation en appuyant le bouton (B) sur le premier groupe et le tenir pendant 10 seconds.
- Ensuite appuyer de nouveau sur le bouton (B) du premier group jusqu'à quand l'écran suivant est montré :



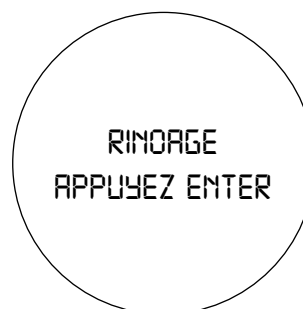
- Sélectionner en appuyant sur le bouton (A) ou sur le (C). Appuyer sur le bouton (B) pour confirmer. L'écran suivant est montré :



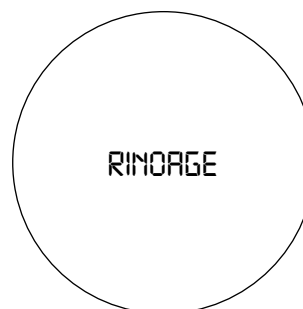
- Après avoir ajouté le détergent et avoir attaché les porte-filtres, appuyer sur le bouton (B) pour commencer le lavage. L'écran suivant sera montré pendant le lavage :



Après le premier cycle de lavage, l'écran suivant est montré :



- Enlever le porte-filtre et vider la saleté contenue dans le filtre aveugle en le rinçant sous l'eau courante.
- Remettre le filtre dans le groupe et répéter l'opération sans utiliser détergents dans le filtre aveugle. Ça rince la machine. L'écran suivant sera montré :



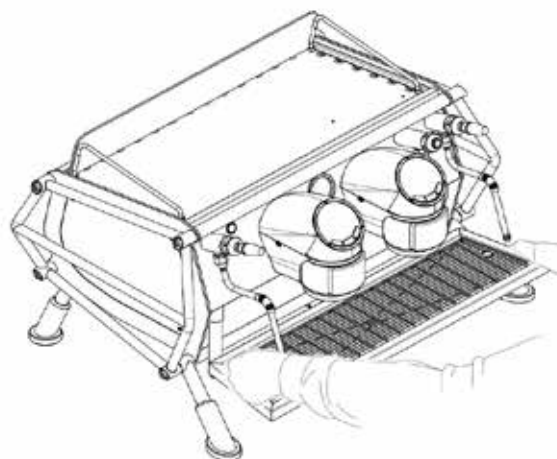
- À la fin du rinçage : enlever le porte-filtre, remplacer le filtre-aveugle avec celui normal et distribuer un café pour éliminer des goûts désagréables.

19.2.c NETTOYAGE QUOTIDIEN



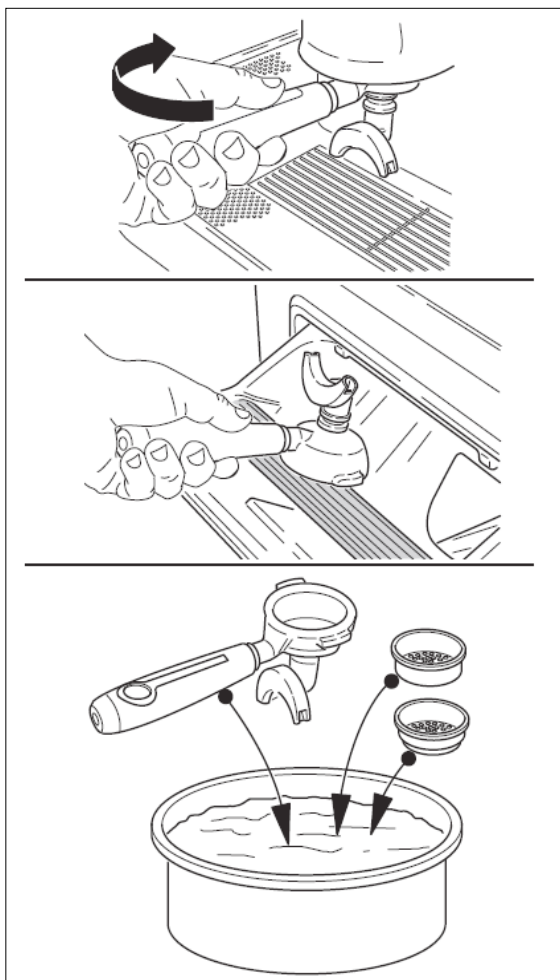
IMPORTANT : N'utiliser JAMAIS du détergent corrosif ou abrasif ; Utiliser des détergents spécifiques pour le lavage des machines à café ou vaisselles.

Ne JAMAIS utiliser des jets d'eau pour nettoyer la machine.



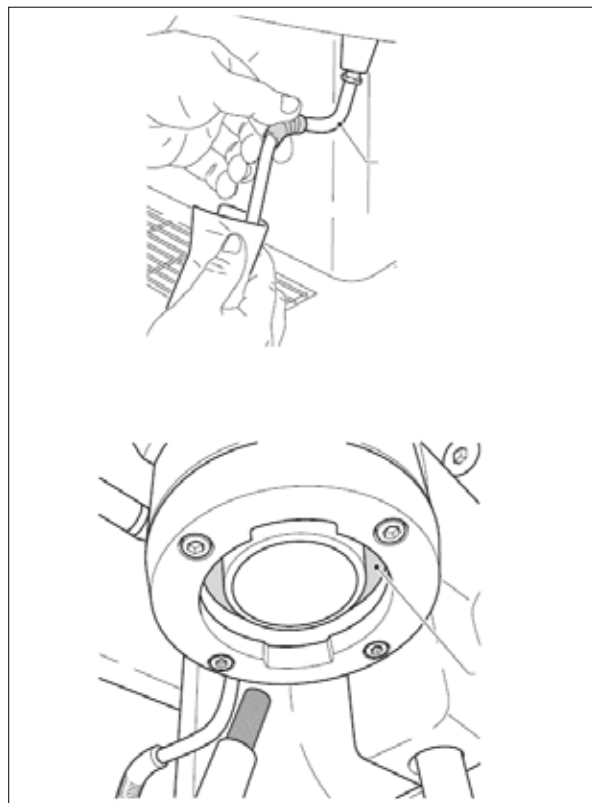
Pour le nettoyage, procéder comme suit :

- enlever et vider les porte-filtres.
- enlever le filtre du porte-filtres et immerger les deux dans une cuvette qui contienne un détergent spécifique, les laisser tremper pendant que la machine est arrêtée.



- Enlever la grille (1) et la laver avec de l'eau courante et un détergent spécifique.
- Après le nettoyage, les sécher avec un chiffon doux et les remettre dans la machine.

- Vérifier qu'il n'y ait pas des encroustements sur la buse à vapeur (2). Si c'est nécessaire, la nettoyer avec des détergents spécifiques.



- Nettoyer le fond du groupe avec un détergent spécifique et le joint de culasse avec une brosse à poils souples (3).
- Essuyer l'extérieur de la machine avec un chiffon humide.



19.3 ENTRETIEN PROGRAMMÉ (TECHNICIEN)

L'entretien programmé comprend toutes les opérations qui doivent être effectuées régulièrement pour garantir le fonctionnement correct de la machine.



IMPORTANT : Toutes les opérations programmées doivent être effectuées par l'assistance technique. Nous vous recommandons de signer un contrat de maintenance avec votre assistance technique locale pour couvrir tous les problèmes qui peuvent se présenter pendant l'utilisation de la machine.



19.4 ENTRETIEN EXCEPTIONNEL (TECHNICIEN)

L'entretien exceptionnel comprend toutes les opérations effectuées si nécessaire, par exemple, pour remplacer des composants usés ou cassés.



IMPORTANT : tous les problèmes qui ne sont pas présents dans le tableau à la fin du chapitre 20, exigent l'intervention du service d'assistance technique.

FR



ASISTENZA E DEMOLIZIONE

20	ASSISTANCE TECHNIQUE ET PIECES DE RECHANGE....	132
21	ELIMINATION DE LA MACHINE	132
21.1	ELIMINATION DES SUBSTANCES NOCIVES.....	132

Chapitres 20-21

FR

20 ASSISTANCE TECHNIQUE ET PIÈCES DE RECHANGE

- Pour des pièces de rechange et pour tous les problèmes concernant la machine, contacter seulement un revendeur autorisé.
- • Si des réparations sont requises, utiliser seulement pièces de rechange originales pour s'assurer que les spécifications techniques de la machine restaient les mêmes.
- • Pour commander des pièces de rechange, suivre les instructions dans le catalogue des pièces de rechange



21 ELIMINATION DE LA MACHINE



Pour protéger l'environnement, procéder conformément aux règlements et aux normes appliqués dans le pays concerné.

Quand l'appareil ne peut plus être utilisé ou réparé, les composants doivent être séparés pour le traitement.

Les équipements électriques ne doivent pas être traités comme de déchets urbains, mais ils doivent être traités séparément en respectant la directive européenne concernant les déchets d'équipements électriques et électroniques (2002/96/ EC - 2003/108/EC).

Un équipement électrique est marqué avec un symbole d'une croix sur une poubelle à roulettes. Cela indique que l'équipement a été mis sur le marché après le 13 Aout 2005 et doit être éliminé séparément.

Vu les substances et les matériaux qui le constitue, l'élimination illégale ou inappropriée, ou une utilisation impropre, peut causer des dommages au gens et à l'environnement.

L'élimination des déchets électriques qui ne respecte pas les règlements en vigueur est punissable avec des sanctionnes administratives et pénales.



IMPORTANT : Pour avoir des informations concernant l'élimination des substances nocives (lubrifiants, solvants, peintures etc.) consulter le paragraphe suivant.

21.1 ELIMINATION DES SUBSTANCES NOCIVES

Pour éliminer ce type des substances, consulter les règlements en vigueur dans le pays concerné et procéder en conséquence.



IMPORTANT : Toute irrégularités commises avant, pendant ou après l'élimination des composants de la machine et dans l'interprétations et dans l'application du règlement en vigueur est responsabilité entière du client.

Think
about
it!

SANREMO s.r.l.
Via Bortolan, 52
31050 Vascon di Carbonera (TV)
ITALIA
tel. +39 0422 448900
fax +39 0422 448935
p.iva /c.f. 03239750262
www.sanremomachines.com
info@sanremomachines.com