

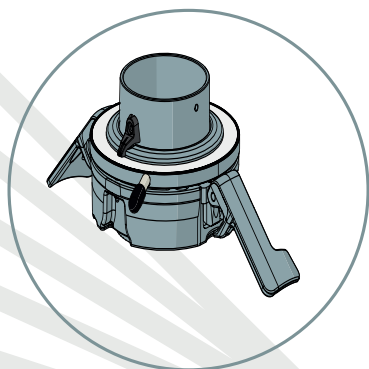


FIORENZATO

Dispositivo PRO Device PRO

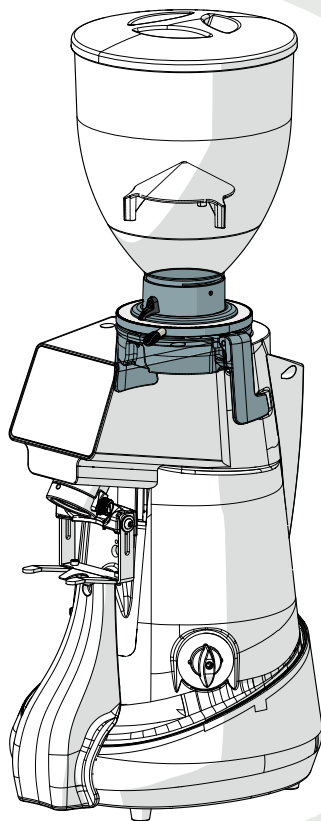
**Supporto macina superiore a
sgancio rapido per macinadosatori**

*Quick release upper grinder
support for coffee grinder*



**Inserto al manuale di installazione, uso e
manutenzione del Macinadosatore**

*Insert to the installation, use and
maintenance manual of the coffee grinder*



Leggere attentamente le presenti istruzioni prima del primo utilizzo.
Please read these instructions carefully before first use of the machine.



ISTRUZIONI ORIGINALI
TRANSLATION OF THE ORIGINAL INSTRUCTIONS

Rev_00 Ed_11/2020

Index

1	DEVICE DESCRIPTION AND PARTS IDENTIFICATION	14
1.1	Device description PRO	14
1.2	Identification of the main parts of the device PRO	14
1.3	Assembly of device PRO on the coffee grinder	15
2	SAFETY	15
2.1	Safety devices adopted	15
2.2	Residual risks	16
2.3	Residual risk warning labels	16
3	DEVICE MAINTENANCE	17
3.1	Ordinary maintenance	17
3.1.1	Cleaning the equipment	17
3.1.2	Replacing the grinders	20
4	ANOMALIES - CAUSES - REMEDIES	22

1 DEVICE DESCRIPTION AND PARTS IDENTIFICATION

Cleaning of the coffee grinder at the end of the day is an essential condition to keep the quality of the grinding high and to ensure regular and homogeneous wear of the grinders. With the new system **PRO**, patented by Fiorenzato M.C. S.r.l. , opening of the grinding chamber for cleaning and/or replacement of the grinders becomes a quick, safe and accessible operation for all operators.

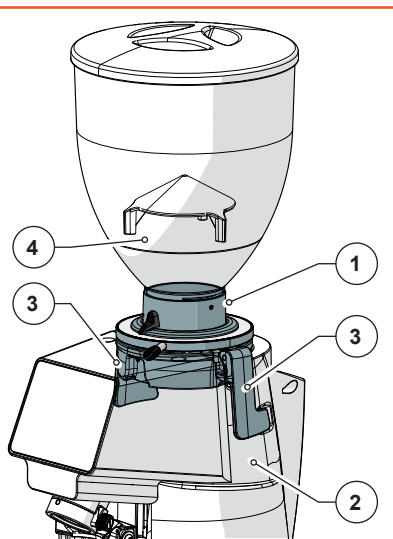


The device **PRO** is an integral part of the coffee grinder in your possession. For all instructions relating to the use and maintenance of the coffee grinder, refer to the relevant installation, use and maintenance manual.

1.1 Device description PRO

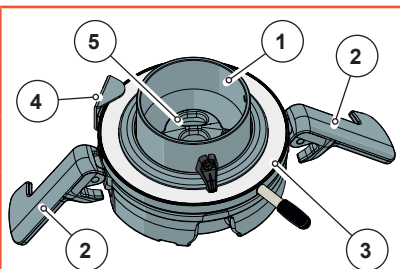
The system **PRO**, applied to the coffee grinders by Fiorenzato M.C. S.r.l. , essentially consists of a removable support (Item 1) inside of which the fixed upper grinder is fitted, rigidly attached to the machine body (Item 2) by means of two quick coupling levers (Item 3).

Removal of the bell (Item 4) and the subsequent release of the group levers **PRO** results in opening of the grinding chamber quickly and safely, facilitating cleaning of the grinding chamber. The precision of the coupling between the removable support and the grinding chamber also makes the reassembly operation simple and correct to put the appliance back into operation.



1.2 Identification of the main parts of the device PRO

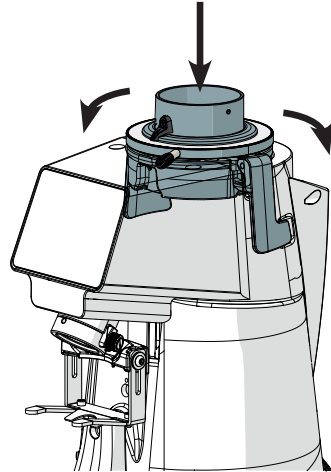
1	Removable grinder holder support
2	Rapid coupling closure lever
3	Grinding adjustment ring nut
4	Ring nut locking lever
5	Anti-intrusion mushroom



1.3 Assembly of device PRO on the coffee grinder

The device PRO (Item 1) needs to be correctly coupled and fixed to the coffee grinder (Item 2) to allow it to work. To assemble this device, simply insert it correctly into the grinding chamber and lock it in the working position by completely closing the two locking levers (Item 3).

Note: Inside the machine body there are two safety microswitches (see paragraph 2.1) that allow the coffee grinder to be started only if the device PRO is inserted in the working position and properly locked by the relative fixing levers.



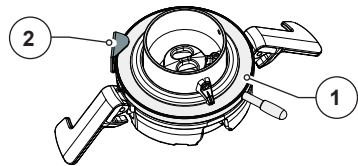
2 SAFETY

2.1 Safety devices adopted

Fiorenzato M.C. S.r.l. has provided the system PRO and the coffee grinder to which it is combined with adequate safety devices designed to protect the safety of the user and the integrity/functionality of the appliance during its use.

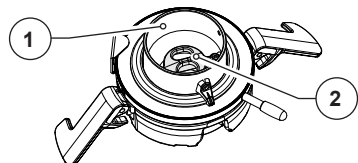
Safety ring nut lock lever.

To prevent accidental rotation of the adjustment ring nut (Item 1), there is a locking lever (Item 2) on the back.



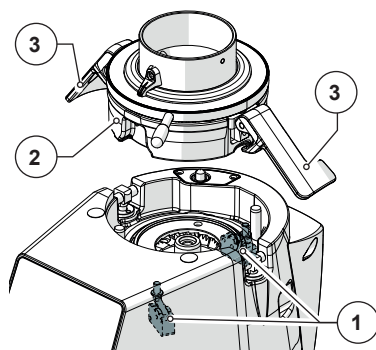
Anti-intrusion mushroom on grinder support.

To prevent contact with the grinders when the bell is removed from the appliance, inside the removable chamber (Item 1) there is an anti-intrusion mushroom (Item 2) which prevents the accidental introduction of fingers by the operator into the grinding chamber.




Removable chamber detection microswitches in working position.

Two microswitches (Item 1), located inside the machine body, allow the appliance to be started only when the removable chamber (Item 2) is in the correct working position, locked by the two fixing levers (Item 3). Release of the levers deactivates the two microswitches which automatically disable the operation of the motor.



2.2 Residual risks

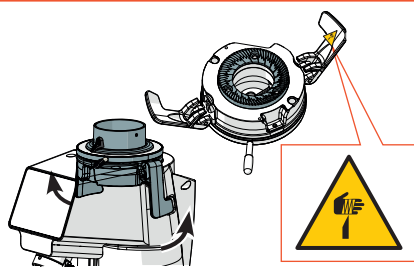
Although having adopted all the possible devices necessary to make use of the device PRO safe, during its disassembly and reassembly from the coffee grinder for the operations of cleaning/replacement of the grinders, the residual risk of cutting/abrasion against the sharp surfaces of the grinders remains whose effects can be addressed by adequately training the user according to the provisions set out in the following table.

Residual risk	Present during	Provisions to reduce the risk
 Excoriation/cuts to the fingertips and fingers	<ul style="list-style-type: none"> • Handling of the removable chamber. • Cleaning of the grinders. 	<ul style="list-style-type: none"> • Handle the removable chamber carefully when removing/inserting it from/into the machine body. • Avoid direct contact of your fingers with the sharp teeth of the grinders during cleaning. • Use rubber gloves to protect hands.

2.3 Residual risk warning labels

To signal the presence of sharp surfaces with the possible risk of cutting/grazing fingers, an adhesive warning pictogram has been applied to one of the device's release levers PRO.

ATTENTION: Replace the pictograms if they deteriorate or become detached from the coffee grinder.



3 DEVICE MAINTENANCE

3.1 Ordinary maintenance

All routine maintenance interventions to be performed on the device **PRO** are summarised in the following table.

Fiorenzato M.C. S.r.l. advises its customers to strictly follow the indicated interventions, carrying them out in the times and in the manner described.

For maintenance operations relating to the coffee grinder on which the device **PRO** is applied, refer to the relative installation, use and maintenance manual.

ORDINARY MAINTENANCE INTERVENTIONS			
Frequency	Type of Intervention	Executor	Paragraph
Every end of shift	Precise equipment cleaning.	User	3.1.1
At the set expiry time (indicated on the display).	Replacing the grinders	Qualified operator or specialist technician	3.1.2

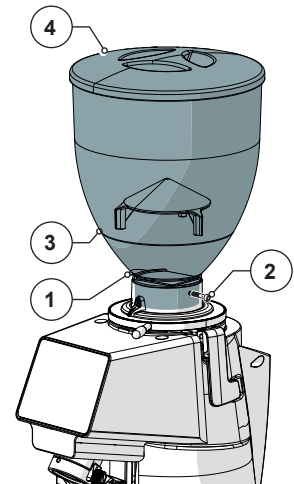
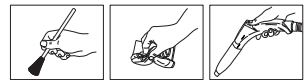
3.1.1 Cleaning the equipment

AT EACH END OF SHIFT: perform thorough cleaning of the appliance.

- Close the shutter (Item 1), loosen the fixing screw (Item 2) and remove the bell (Item 3) from the appliance.
- Remove the lid (Item 4) from the bell and empty out all the coffee beans contained inside. It is advisable to pour the coffee back into the bag of origin and to close it hermetically to preserve its aroma.
- Clean the internal and external surfaces of the bell using hot water and a neutral PH non-perfumed detergent and degreaser suitable for the food sector. Do not use abrasive sponges and/or aggressive detergents that could damage the surfaces of the bell.
- Dry the washed parts thoroughly using a soft, dry cloth.



ATTENTION! The bell cannot be washed in the dishwasher.



- Using a vacuum cleaner, remove the coffee beans and powder contained in the collar of the removable chamber (Item 2).
- Release the two locking levers (Item 1) and remove the removable chamber (Item 2) from the machine body.
- With a soft bristle brush (clean and sanitised) and a dry cloth, clean the removable chamber (Item 2) and the fixed grinder attached to it (Item 3).



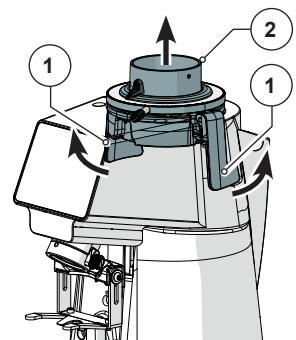
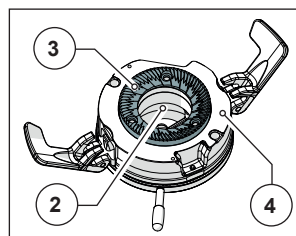
ATTENTION! Each time the extractable chamber is removed, carefully clean the entire contact surface inside the grinding chamber with a brush (Item 4).



ATTENTION! Do not use water and/or detergents to clean the grinding chamber and the grinder.



ATTENTION! The removable chamber and the fixed grinder cannot be washed in the dishwasher.



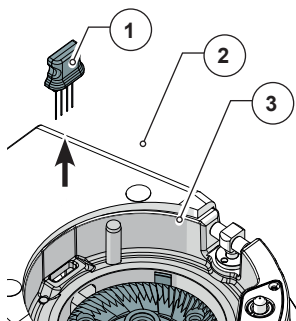
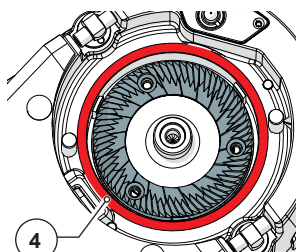
- Remove the coffee break foil (Item 1) from its seat.
- Wash the coffee break foil with hot water and a non-perfumed detergent and degreaser with a neutral PH specific for the food sector, being careful not to damage it.
- Using a vacuum cleaner, remove the coffee beans and powder contained in the grinding chamber (Item 2).
- With a soft bristle brush (clean and sanitised) and a dry cloth, clean the grinding chamber (Item 2) and the mobile grinder (Item 3).



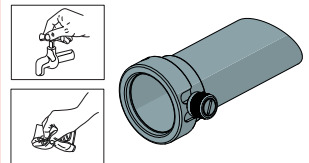
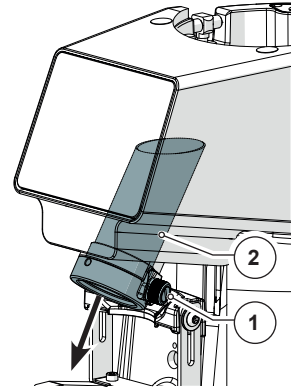
ATTENTION! Each time the extractable chamber is removed, carefully clean the entire contact surface inside the grinding chamber with a brush (Item 4).



ATTENTION! Do not use water and/or detergents to clean the grinding chamber and the grinder.



- Loosen the fixing screw (Item 1) and extract the coffee discharge pipe (Item 2) from its seat.
- Wash the hose with hot water and a non-perfumed detergent and degreaser with a neutral PH specific for the food sector.
- Dry with a soft cloth.
- With a vacuum cleaner and a dry cloth, clean the seat of the discharge pipe from all coffee powder residues.



- The external cleaning of the machine body must be performed using soft cloths and products suitable for the food sector.

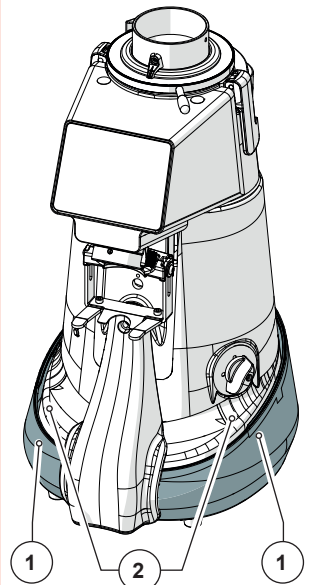


ATTENTION! Do not use abrasive sponges and/or aggressive products that can damage the external surfaces of the machine.

- Only in the coffee grinders equipped with an integrated weighing system (XGi series models) check that between the supports (Item 1) and the machine body (Item 2) there are no coffee beans or other foreign bodies that could create a contact bridge between the parts, compromising the correct functionality of the weighing system. The check must be carried out by passing a sheet of paper between the two parts (support and machine body) along the entire perimeter, making sure that there are no obstacles. If any are present, remove them.

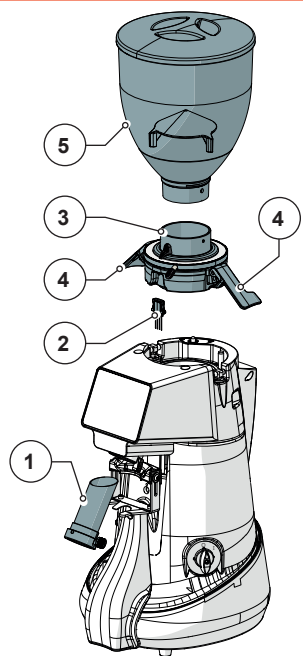


ATTENTION! It is forbidden to use jets of water or steam to clean the machine body.




- After cleaning, refit the machine, inserting the discharge pipe (Item 1) in its seat and fixing it in place with the screw.
- Insert the coffee break foil (Item 2) in its seat.
- Insert the removable chamber (Item 3) in the machine body and lock it in position by completely closing the two levers (Item 4).
- Mount the bell (Item 5) and fix it with the relative screw.

The machine is ready to be used again after being supplied and refilled with coffee.



3.1.2 Replacing the grinders

The scheduled deadline for the replacement of the grinders is set by Fiorenzato M.C. S.r.l. according to the type of grinders and the model of coffee grinder.

It is signalled on the display by the appearance of a dedicated icon [] accompanied by the appearance of a value (in weight or in time) which indicates the remaining operating autonomy at the time of the necessary replacement of the grinders.



The usage limit for replacing the grinders can be viewed at any time by accessing the “SETTINGS” menu and selecting the “Replacing the grinders” item. Periodically check this parameter to plan the supply of spare grinders.

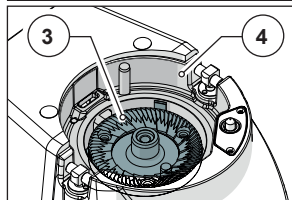
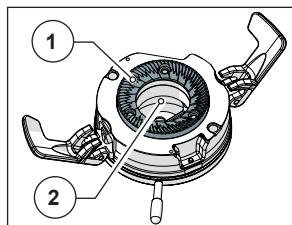


ATTENTION! Replacement of the grinders must be carried out by a qualified operator or entrusted to specialist technicians using original spare parts.

AT THE SCHEDULED DEADLINE: replacement of the grinders.

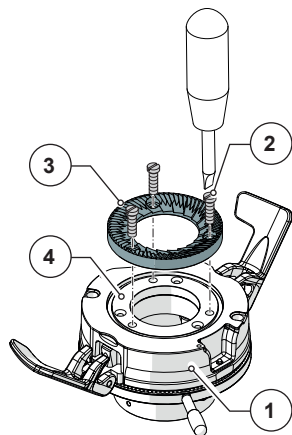
To replace the grinders, it is necessary to:

- Remove the bell and the removable chamber from the machine body following the instructions provided in the paragraph "3.1.1 Pulizia apparecchio".
- Clean the fixed grinder (Item 1), of the extractable chamber (Item 2), of the mobile grinder (Item 3) and the grinding chamber (Item 4) removing all grains and coffee residues from their surfaces.

**Fixed grinder replacement**

- Firmly hold the removable chamber (Item 1) and loosen the three fixing screws (Item 2) using an appropriately sized slotted screwdriver.
- Remove the worn fixed grinder (Item 3) from its seat (Item 4).
- Carefully clean the seat of the grinder using a dry and sanitised brush or a soft, dry cloth, being sure to remove any residues or coffee dust from the threaded holes.
- Position and secure the new grinder in the removable chamber seat, locking it in position with the relative fixing screws.

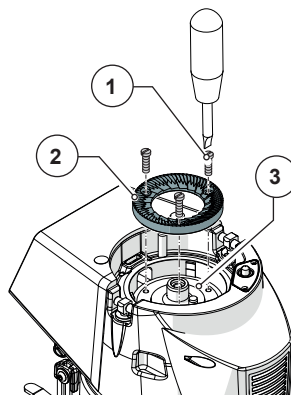
ATTENTION: When removing and fastening the screws, be careful not to damage them.



Mobile grinder replacement

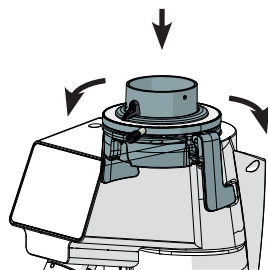
- With a hex wrench (CH13) block the rotor of the mobile grinder.
- Unscrew the three fixing screws (Item 1) using an appropriately sized slotted screwdriver.
- Remove the worn mobile grinder (Item 2) from its seat (Item 3).
- Carefully clean the seat of the grinder using a dry and sanitised brush or a soft, dry cloth, being sure to remove any residues or coffee dust from the threaded holes.
- Position and secure the new grinder in the grinding chamber seat and, blocking the movement of the rotor with the hexagonal key, lock it in position with the relative fixing screws.

ATTENTION: When removing and fixing the screws, be careful not to damage them.



Machine and function reset




- Refit the removable chamber in the machine body and lock it in place with the levers.
- After replacement, command “Reset Grinder” from the “SETTINGS” menu and confirm.
- Upon command, the parameter will be reset to the maximum value set by default.



4 ANOMALIES - CAUSES - REMEDIES

The following table shows the possible anomalies that can cause the coffee grinder equipped with the “PRO” device to fail or not work properly. For each anomaly, the possible cause that generated it and the actions to be taken to restore correct functioning of the appliance are indicated.

Note: For anomalies that may cause incorrect (or non-functioning) operation of the coffee grinder not strictly connected to the presence of the “PRO” device, refer to the installation, use and maintenance manual of the coffee grinder in your possession.

Anomaly	Cause	Solution
Pressing the  or  buttons (on the machine body of the coffee grinder) the coffee grinder does not start the grinding cycle.	The locking levers of the removable chamber are not completely closed (the safety microswitches inside the machine body prevent the motor from starting).	<ul style="list-style-type: none"> Fully close the locking levers of the removable chamber.
The icon  appears on the display accompanied by an Alert message regarding the need to replace the grinders	The grinders are reaching the ground coffee limit set by the manufacturer and therefore their replacement will need to be planned.	<ul style="list-style-type: none"> It is possible to continue using the coffee grinder until the set weight (or time) limit is reached. When the limit is reached, to ensure maximum efficiency of the machine, it is necessary to replace the grinders following the instructions provided in the paragraph 3.1.2. Once the replacement is complete, command "Reset Grinder" from the "SETTINGS" menu.
The motor stops during grinding.	Motor protection thermal cut-out intervention due to blocking of the grinding system in the presence of objects or foreign bodies between the grinders.	<ul style="list-style-type: none"> Turn off the appliance and wait for it to cool completely. Disconnect the appliance from the power supply. Close the shutter and remove the bell. Open the extractable chamber and clean the grinders and remove any foreign bodies. Reassemble the appliance and start a grinding cycle.



ATTENTION! If the anomaly persists even after carrying out the suggested corrective actions, or if functional anomalies not listed in the table occur, contact a specialist technician and have the appliance checked.



Fiorenzato M.C. S.r.l.

Via Rivale, 18 - Santa Maria di Sala (VE) - ITALY

Tel. +39/049 628716 - Fax. +39/049 8956200

info@fiorenzato.it - www.fiorenzato.it