

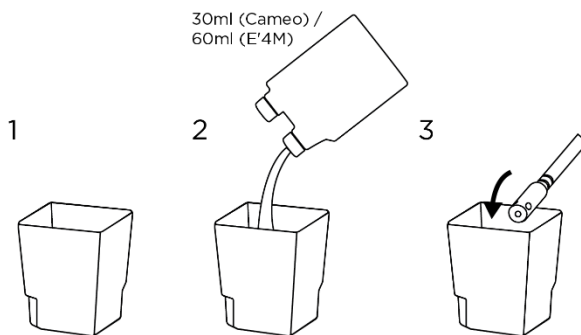
Milk System Cleaner for Eversys Coffee Machines

- Designed specifically for use with Eversys machines. Breaks down milk protein build-up.
- Cycles through auto-frothers for easy cleanup.
- Can also be used to clean steam wands and steel pitchers.
- Built-in measuring device.



Instructions For Use:

- Initiate cleaning cycle by pressing and holding Rinse button on the touchscreen and follow the instructions on the screen.
- Locate milk cleaning container. Make sure it is empty.
- Pour 30 ml for Cameo or 60 ml for E'4M of Everclean liquid into the container.
- Place milk tube in container.
- Follow the touchscreen prompts to continue the cleaning cycle.



Please order by e-mail: orders-usa@eversys.com

UNIT

Code: ECL-1
Contents: 1 liter dual-neck bottle
Per case: 6 bottles

CASE

Code: ECL-6
Dimensions (L x W x H): 11.00 x 7.50 x 10.00 (in); 27.6 x 19.1 x 25.4 (cm)