

CYCLOPS® Spec Sheet



GROUND CONTROL® CYCLOPS® SPEC SHEET

Quality

- ▶ Consistently brews world-class coffee that is smooth, sweet and nuanced
- ▶ Each unit is hand-assembled by artisan craftsmen in the USA, and can be customized to your needs
- ▶ Quality exceeds pour-over and other single cup methods in side-by-side blind tastings with experts and general public
- ▶ Eye-catching design and aesthetic will engage new customers
- ▶ Innovative temperature profiling allows you to change temperature across brew cycles, resulting in unparalleled control

Reliability

- ▶ Easy cleaning and servicing
- ▶ Robust service network provides best-in-class support

Control

- ▶ Brew workflow is identical to familiar drip brewers, using standard paper filters (metal available)
- ▶ Optional flow meters ensure consistent volume across batches
- ▶ Intuitive touchscreen lets you precisely program recipes for up to 40 different coffees
- ▶ Brews from 1 liter to 1 gallon in a single batch
- ▶ Single device capable of brewing filter coffee, low-temp 'cold brew', tea, iced coffee, and Americano-style coffee

Cutting Edge

- ▶ Patented multi-cycle brewing process provides best-in-class extraction efficiency
- ▶ Innovative stirring technology agitates grounds during brew for optimal extraction
- ▶ No-showerhead design significantly reduces scale buildup

Water Specs

Water Inlet	Min. Flow Rate	Water Pressure
3/8" Push-To-Connect	1.5 gpm [5.7 lpm]	20-75 psi [138-517kPa]

Weight

Min. Flow Rate	Water Pressure
140 lbs [45 kg]	160 lbs [73 kg]

Electrical Configuration

Heater Configuration	Voltage	Phase	Wires	KW	Electrical Connection	Max Amp Draw	Gallons [Liters] / Hr
1 x 1.5 kw	120V/20A	1	3+G	1.8	Terminal Block	14.7	2 [7.6]
1 x 3.0 kw	240V/20A	1	3+G	3.4	Terminal Block	15.8	5.5 [20.8]
1 X 5 kw	240V/30A	1	3+G	5.4	Terminal Block	24.2	8 [30.3]

Cups Per Hour

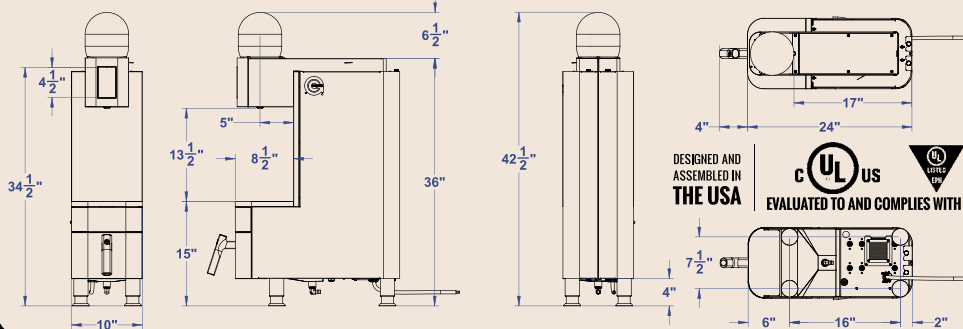
8 oz	12 oz	16 oz	20 oz
128 Cups	85 Cups	64 Cups	51 Cups

Other

PAPER COFFEE FILTERS	WATER COMPOSITION
14" x 5"	Proper Filtration Required

Measurements

VOGACOFFEE.COM



DESIGNED AND ASSEMBLED IN THE USA

 EVALUATED TO AND COMPLIES WITH NSF 4

*Voga Coffee reserves the right to change specifications and product design without notice and without making corresponding changes to previously purchased equipment.



[@Groundcontrol](#) www.GroundControl.coffee

Scan Here
to visit us online

