

# TRAMPOLINE BASKETBALL SET

.INSTRUCTION.





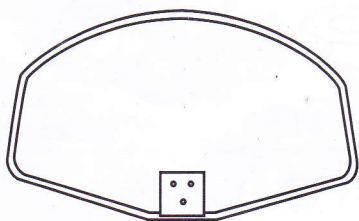
# WARNING



- Read and follow all rules specified on the warning labels that came your trampoline and safety enclosure, and basketball set. If labels or signs become lost or unreadable, please contact us immediately for replacements.
- The Trampoline basketball set should be used only as described in this manual. The basketball set must only be mounted to a compatible safety enclosure system. It should never be mounted on any other device, structure, or in any manner not described in this manual. Do not attach anything to the basketball set or safety enclosure that is not a manufacturer-approved accessory or part of the enclosure system.
- Do not hang from, kick or climb on any part of the basketball set or safety enclosure.
- Remove all jewellery, watches, and hair clips before using the basketball set. Wear clothing free of drawstrings, hooks, loops, or anything that could get caught in the basketball set or safety enclosure.
- Do not use the trampoline or basketball set while under the influence of alcohol or drugs.
- Do not install the basketball set on a pole that is near or over a missing or damaged frame pad.
- When not in use, store the basketball provided with your set in a dry location.
- Use the trampoline and basketball set only with mature, knowledgeable supervision.
- Do NOT hang on the hoop. Damage resulting from hanging on the hoop is NOT covered by warranty.
- Overhead Clearance Adequate overhead clearance is essential. A minimum of 24 feet from ground level is recommended. Provide clearance for wires, tree limbs, and other possible hazards. Lateral Clearance Lateral clearance is essential. Place the basketball set away from walls, structures, fences, and other play areas. Maintain a clear space on all sides of the trampoline and trampoline enclosure.
- Security Secure the trampoline and trampoline enclosure against unauthorized and unsupervised use.

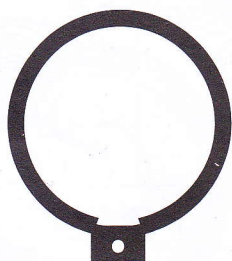
# PACK CONTENTS

**A** Backboard



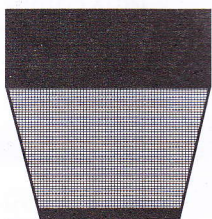
x1

**B** Ring



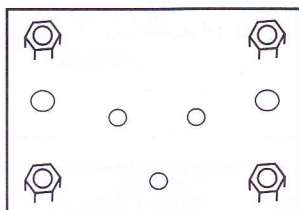
x1

**C** Net



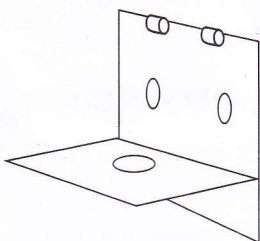
x1

**D** Flat Plate



x2

**E** Connection Plate



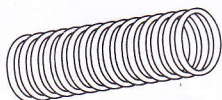
x1

**F** Clamp



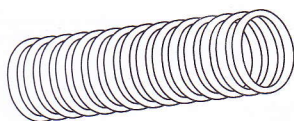
x2

**G** Short



x1

**H** Long



x1

# FITTINGS

L-1



M6 x3

L-2



M8 x5

L-3



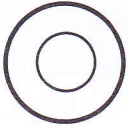
M5 x1

M-1



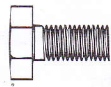
M6 x6

M-2



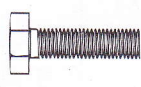
M8 x7

1 x2



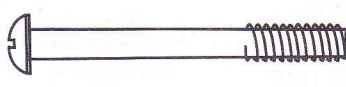
M8x12mm

2 x3



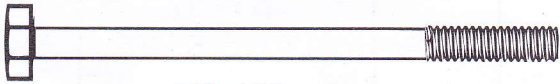
M6x30mm

3 x1



M5x75mm

4 x1



M8x100mm

5 x4



M8x40mm

## Preparation

Remove all parts and hardware from the carton and place them on a clean soft surface. Check carefully to make sure nothing is missing. Dispose of all packaging material properly. Please recycle.

### The following items are required for assembly(not included):

- Two adjustable wrenches; Or wrenches or sockets in the following sizes: 10mm, 13mm and 17mm

## TOOL

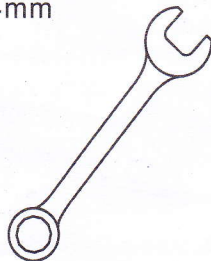
10mm

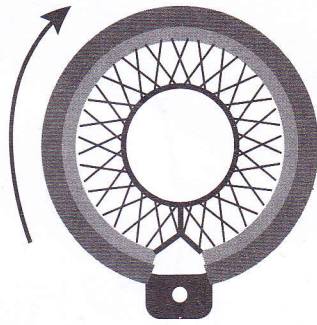
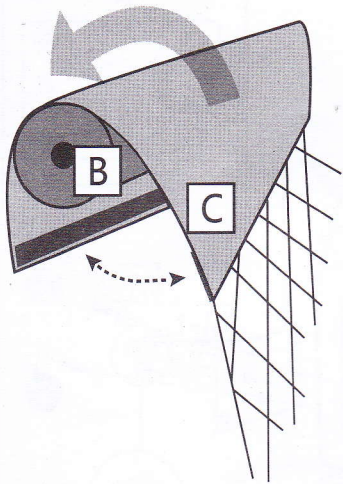


13mm



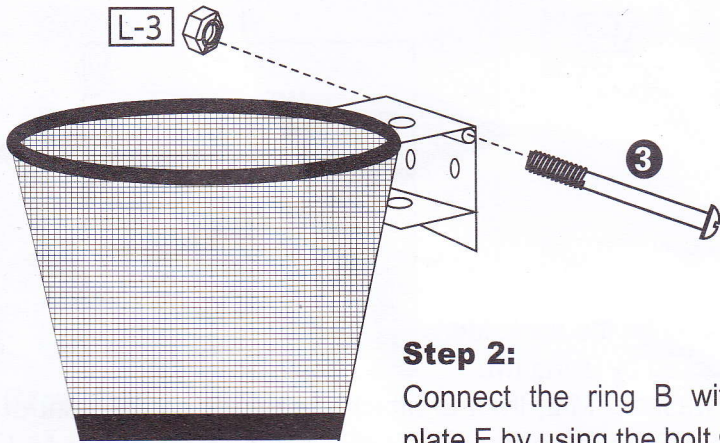
14mm





**Step 1:**

Attach the net on the loop as the picture showing.

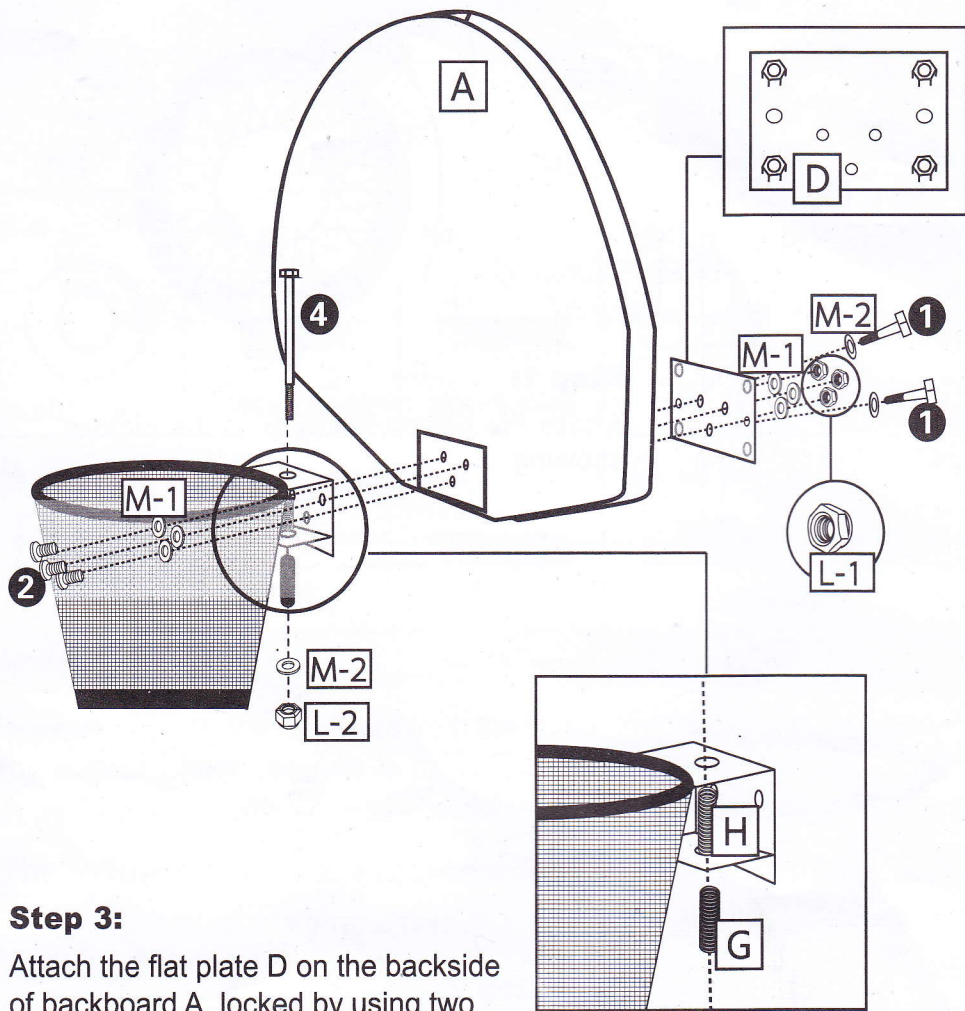


**Step 2:**

Connect the ring B with connection plate E by using the bolt ③ through the joint and locked with L-3.

**Note:**

Ensure the bracket is fitted the right way up (larger section down) to allow the hoop to swing upwards against the backboard.

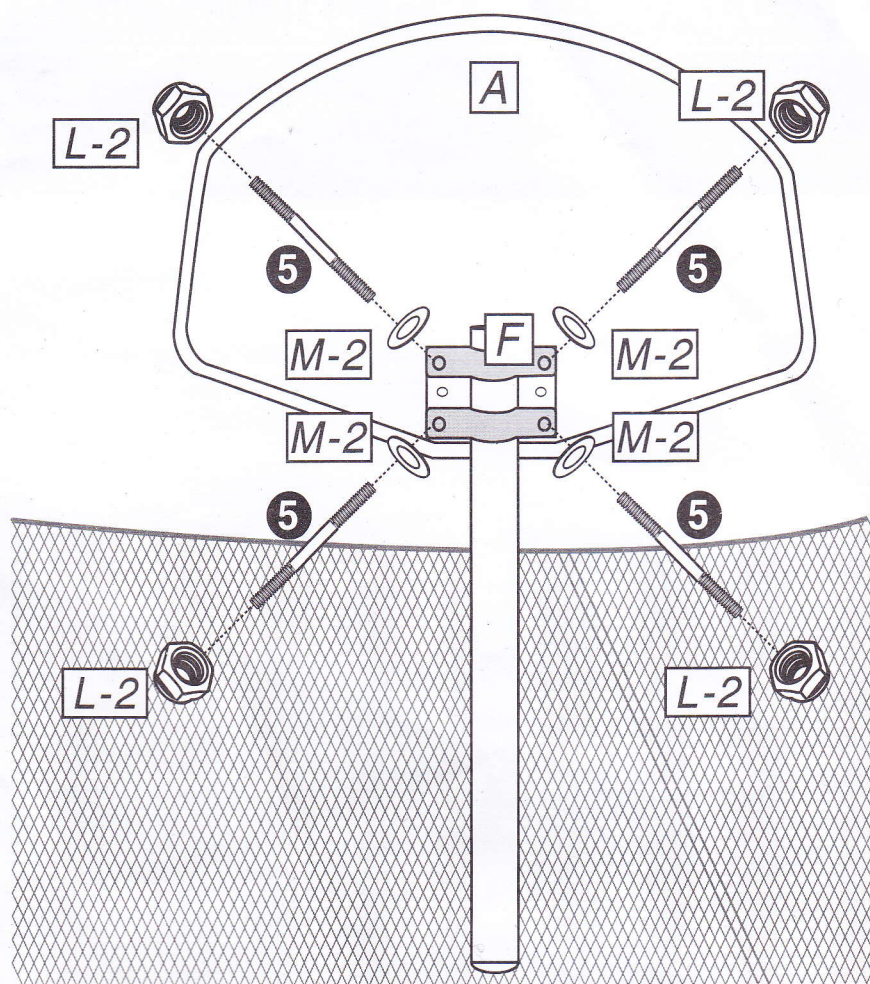


**Step 3:**

Attach the flat plate D on the backside of backboard A, locked by using two bolts ① and two washers M-2, then to attach the ring B on the front of backboard at the joint by using three bolts ② through six washers M-1 and three nuts L-1. Then to fit the spring on the connection plate as the figure shows.

**Note:**

*Ensure the bracket is fitted the right way up (larger section down) to allow the hoop to swing upwards against the backboard.*



**Step 4:**

Attach the whole basketball set onto the ideal safety poles of your trampoline, lock it with two clamps F by using four bolts ⑤ through four washers M-2 and four nuts L-2.

**Note:**

*Ensure the bracket is fitted the right way up (larger section down) to allow the hoop to swing upwards against the backboard.*