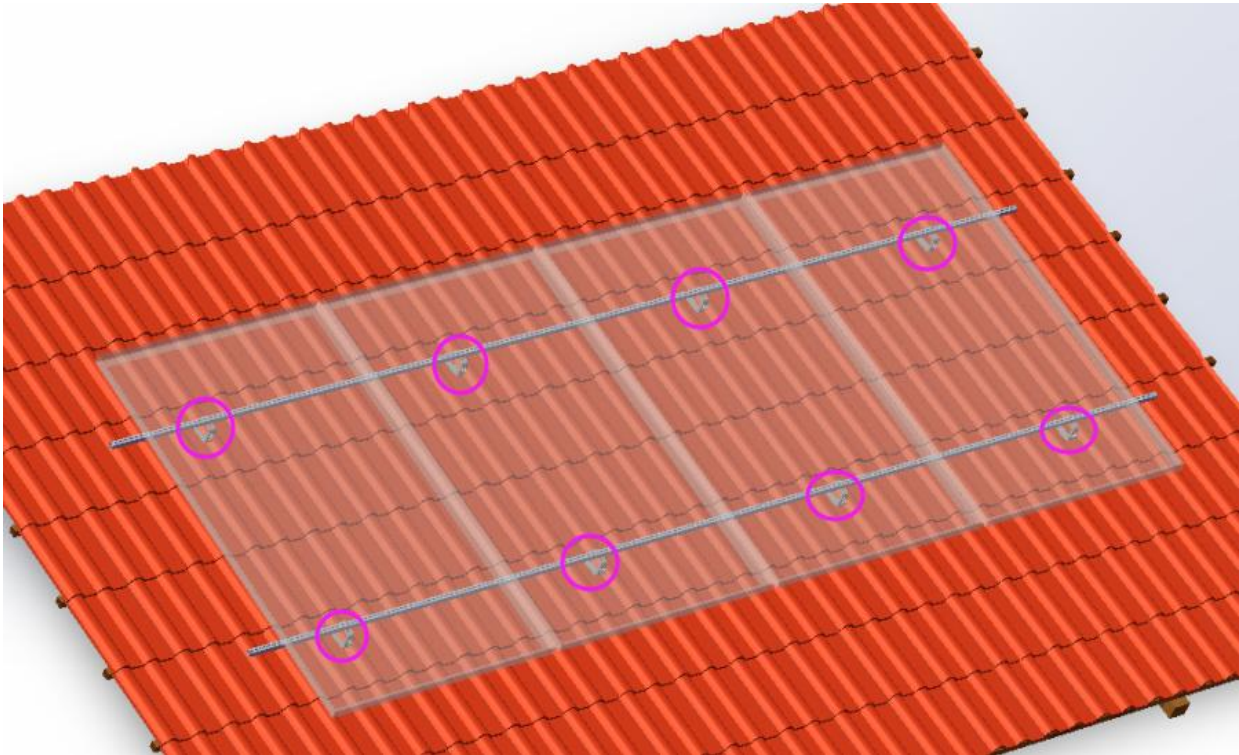


## Xiamen Kseng Metal Tech. Co, Ltd

### First Step:

Fix position of hook

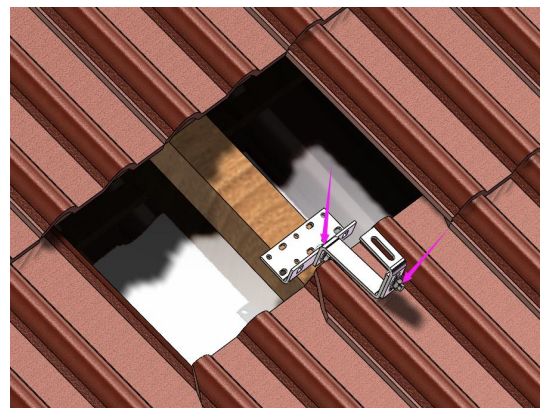
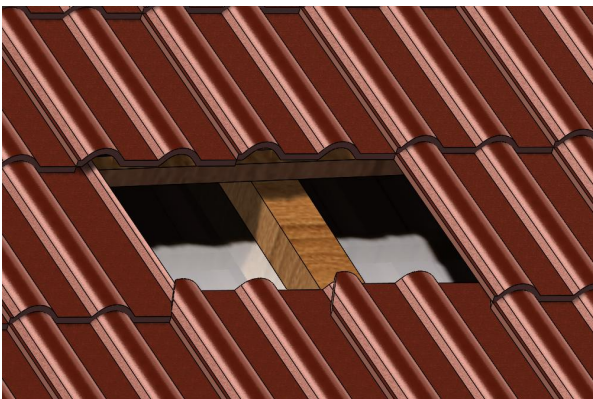
According to the design of the paper and the roof structure, fix the position of each hook, and mark it



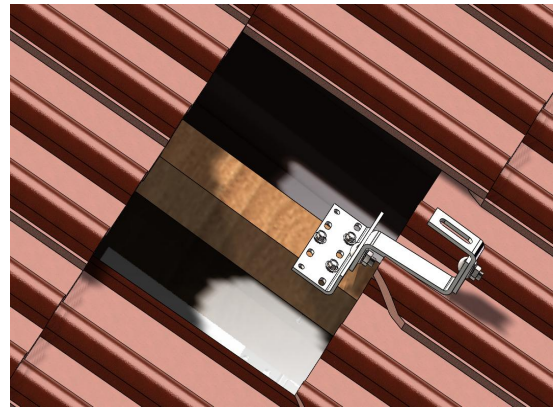
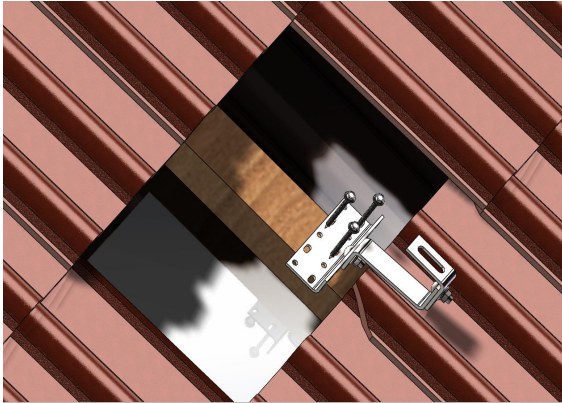
### Second Step:

Hook Installation

Remove the tile at the marked location, taking care not to damage the tile. Put in the hook, confirm the height of the hook, adjust and lock the corresponding bolts.

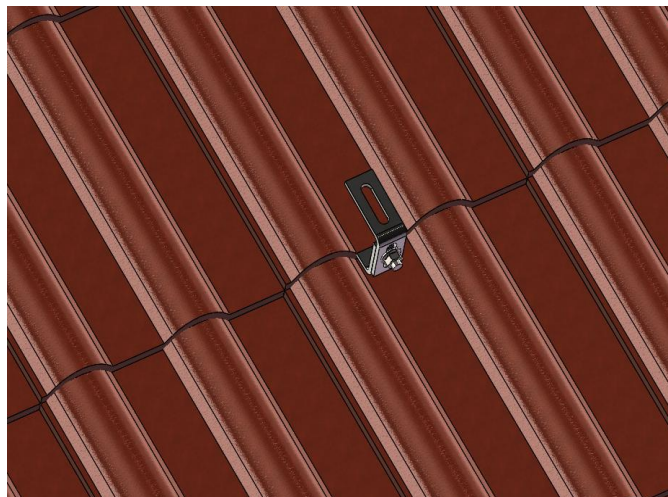


Locked to wooden beams with wood screw hooks. Generally, one hook locks three wood screws



Cover the tiles back.

(In special cases, it is necessary to process the tile and grind away part of the tile to ensure that the extended part of the hook will not make the tile tilt up)

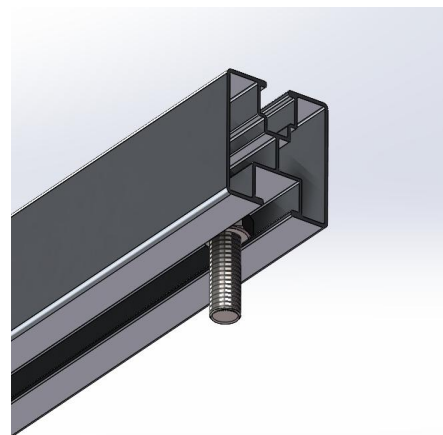
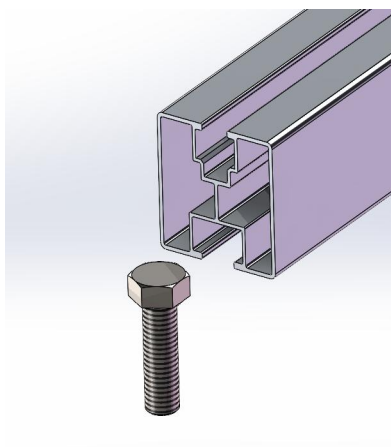


Repeat the preceding steps to install all hooks. Ensure that the top surfaces of hooks in the same row are at the same height to ensure the normal installation of guide rails

### Third Step:

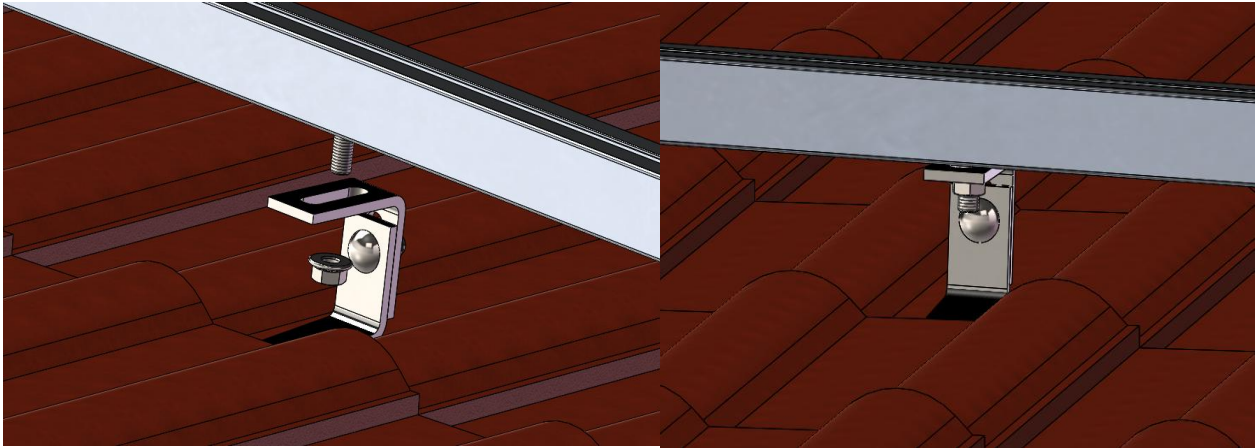
Rail Installation:

The outer hexagon bolt M10x25, the hexagon bolt head slides into the lower notch of the guide rail, this step needs to slide into all the bolts that hook fit, because it needs to slide in from the end, so it needs to slide in the required number at one time

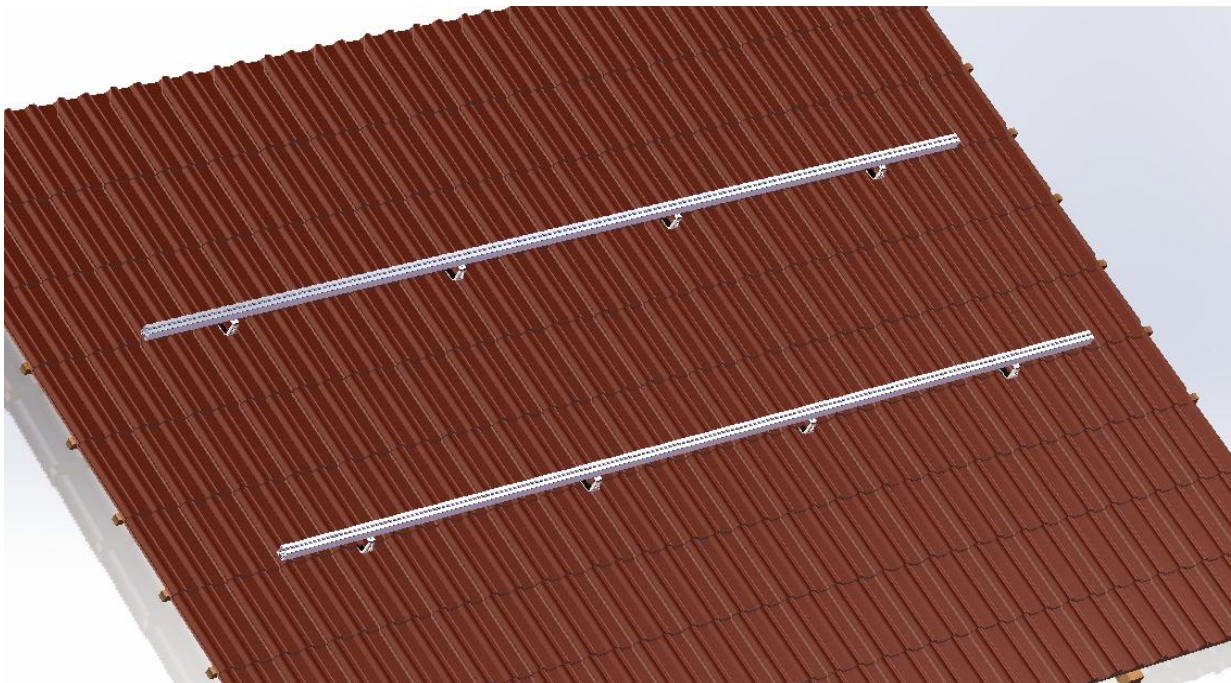




Adjust all bolts to the corresponding hook positions, pass through the hook holes and lock them with flange nuts to connect the guide rail to the hook



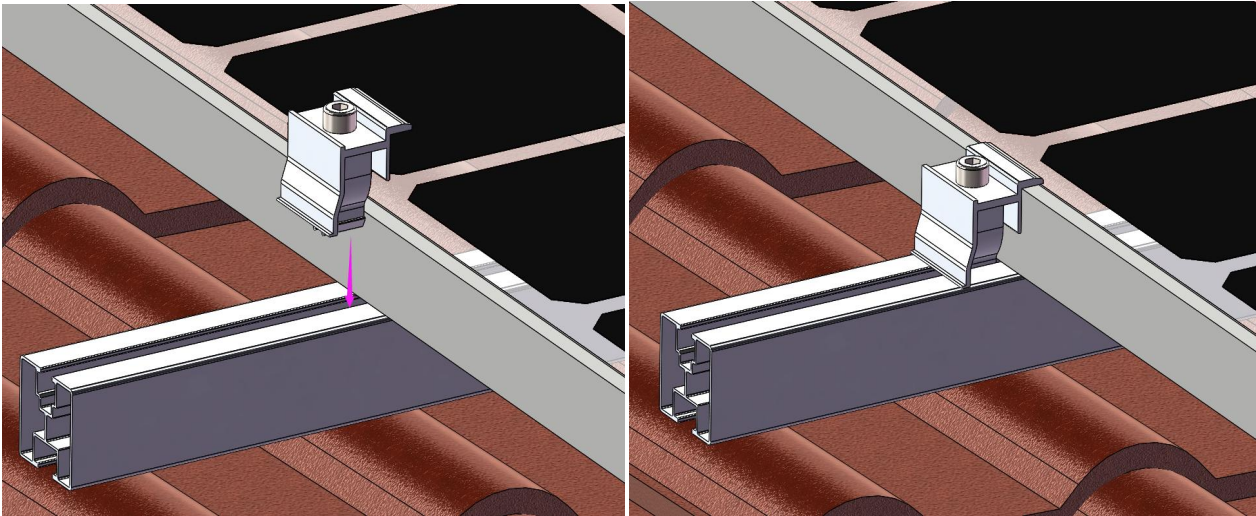
Repeat the above method to complete the connection of all hooks and guides



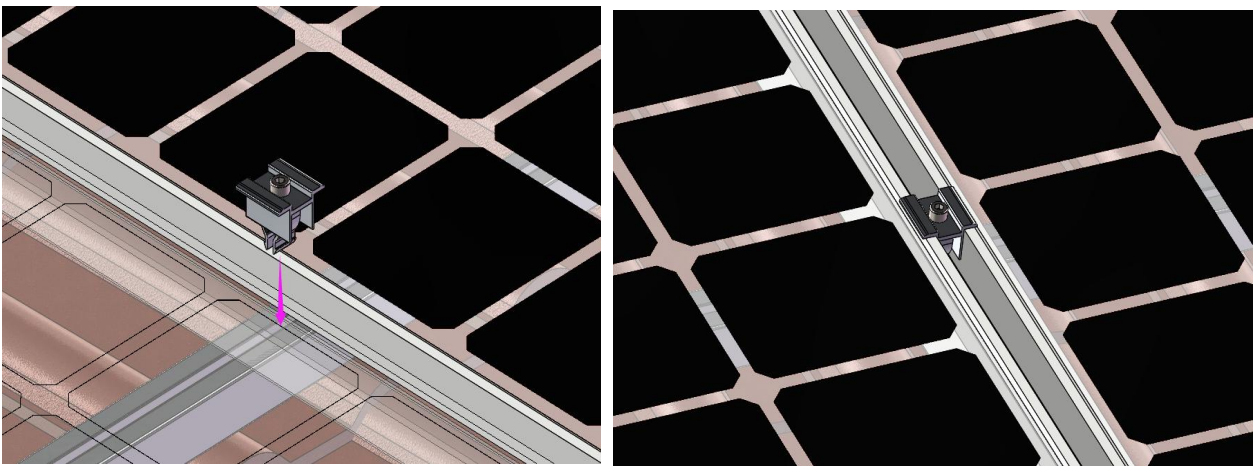
**Step Four**

Panel installation:

End clamp installation: as shown in the figure, press the End clamp into the card slot, lock the bolt, and press the panel



Midd clamp installation: as shown in the picture, press the Midd clamp into the card slot, lock the bolt, and press the panel





**Step Five:**  
Finish the installation

