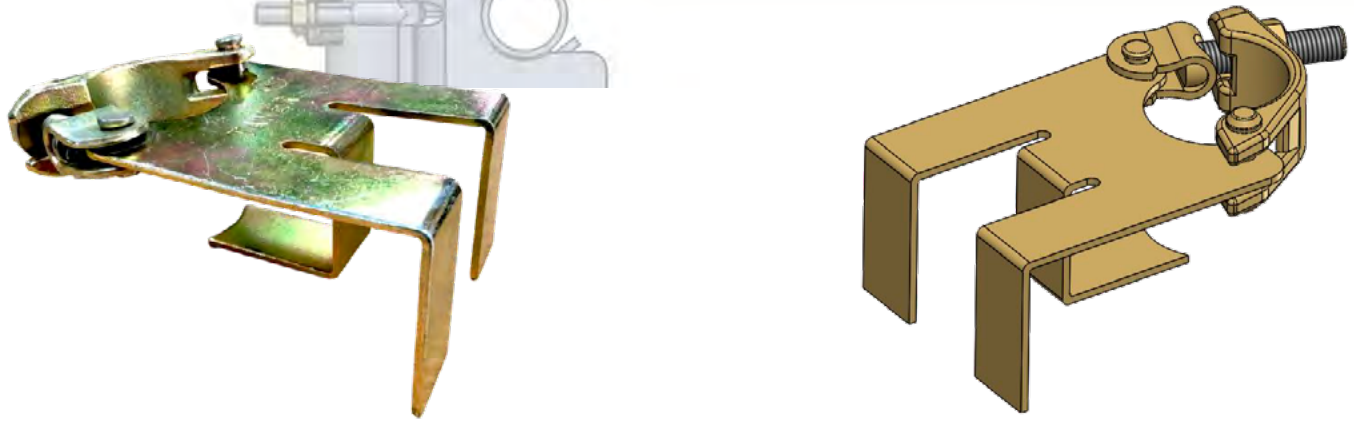


T T M M E E R[®]

The Patented Solution to the removal of Toe Board gaps



HSE bulletin: Working at height regulations

Falling Objects – Regulation 10

Every employer shall, where necessary to prevent injury to ANY person, take suitable and sufficient steps to prevent the fall of any material or object.

Safety on Working Platforms – Regulation 8 (b) – Schedule 3 Part 1.5 (b)

A working platform shall – Possess a suitable surface and in particular, be so constructed that the surface of the working platform has no gap.

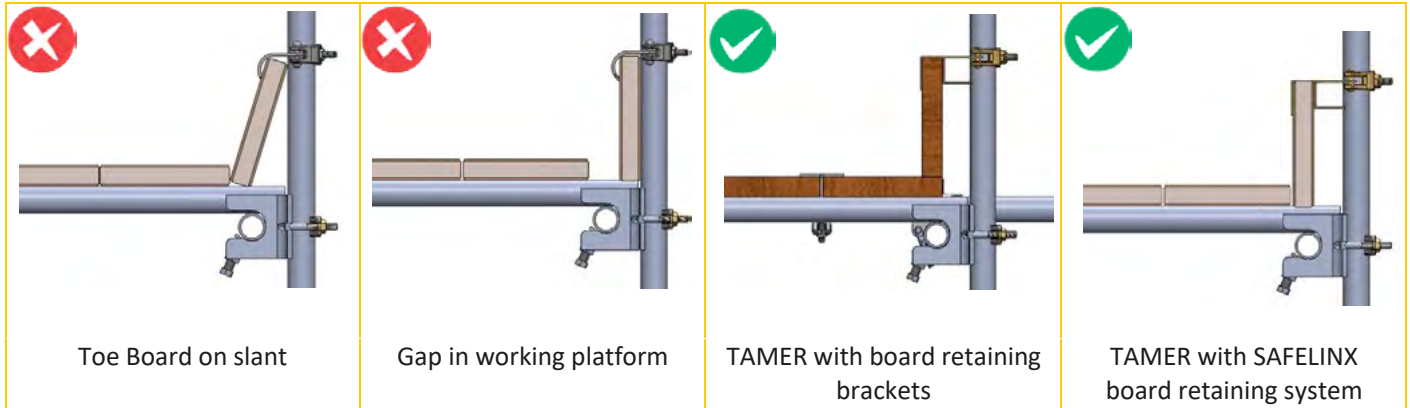
Features & Benefits:

- Easy to use, Cost effective solution.
- Secures toe boards vertically.
- Fully compliant with BS EN 12811-1 in relation to toe board loading requirements.
- Does not damage the toe board.
- Compatible with pre-fabricated structural transoms, Cuplok and Ringlok system scaffolds.
- Gives the completed working platform a professional, tidy and safe appearance.

HSE Concerns on the gaps left between scaffold boards and toe boards have presented an age-old problem to the user of pre-fabricated transom and system scaffolding

Traditional Methods

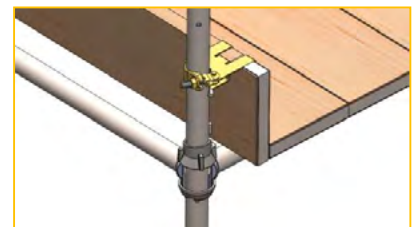
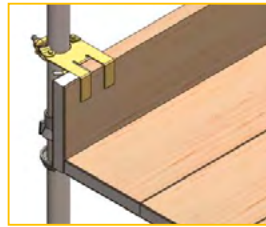
Typical pre-fabricated structural transom scaffold with an outside toe board



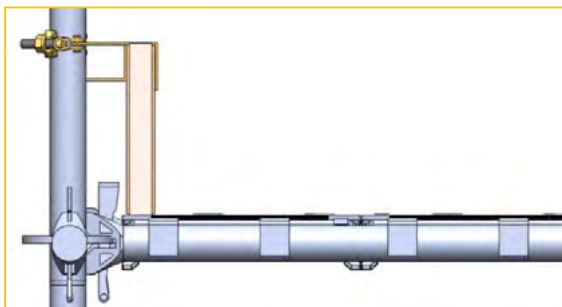
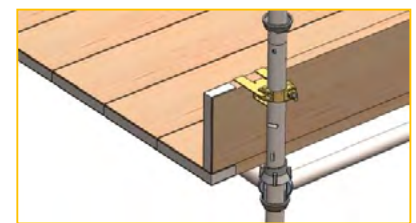
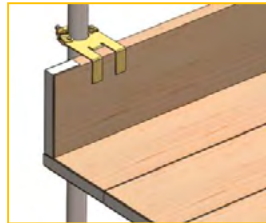
TAMER[®] in use with system scaffolding



Cuplok - Outside board only



Cuplok - Both inside and outside boards



Ringlok System

