



MEDIUM DUTY SINGLE WIDTH LADDERSPAN TOWER

Mobile Aluminium Access Tower

ISSUE 6

Instruction Manual EN 1298-IM-EN

The MD Ladderspan Tower is certified to BS EN 1004:200

3T - Through The Trapdoor Method



Introduction

Please read these instructions carefully and ensure that you fully understand all of the information contained herein. All of the information in this document is vital for the safe utilisation of your Medium Duty Tower.

All products are professional quality engineered equipment designed primarily with safety in mind and meet or exceed all standards, recommendations and guidelines. Used properly, the equipment will keep you safe when working at height.

This manual contains all of the information necessary to correctly assemble your Medium Duty mobile access tower and incorporates all of the requirements of the PASMA 3T method of assembly as endorsed by the HSE.

This manual should be used in conjunction with your Risk Assessment and Method Statement and in line with the Work at Height Regulations 2005 which place an obligation on employers to eliminate or minimise risks. This manual must be made available to the user/assembler at all pertinent times.

Only competent and qualified personnel should undertake erection, dismantling or alteration, organisation, planning or supervision of mobile access towers. In the case of any doubt, sufficient relevant additional training must be given beforehand to ensure safe use. For further information on the use of mobile access towers consult PASMA (www.pasma.co.uk; Tel +44 (0) 845 230 4041). For any additional technical information or specific advice please contact LEACH'S, TEL: +44 (0)1432 346 800 or EMAIL: sales@leachs.com

Certifications

The Medium Duty Tower is a mobile access tower certified to EN 1004 Class 3. If the application is outside the scope of EN 1004, reference should be made to EN 1139 to ensure that the configuration of the equipment meets the relevant requirements. This tower is manufactured in our ISO 9001 accredited facility. This manual complies with EN 1298-IM-EN.

Maximum Safe Working Loads

The safe working load of the tower is 2,000kg including its own weight. The maximum safe working load of any individual platform is 282 kg evenly distributed. If the tower is to be used in an application outside the scope of EN1004, contact your supplier LEACH'S, for advice on loadings.

TEL: +44 (0)1432 346 800 or EMAIL: sales@leachs.com

Inspection Care & Maintenance

The equipment is designed and manufactured to the highest standards in the industry and is stronger, more robust and safer than any comparable competitor product. Properly cared for, it will give a long and productive service life.

- The equipment should be inspected and maintained as outlined in the “MD Tower Inspection Procedures”. A free downloadable copy is available at www.leachs.com
- Equipment should always be inspected before and after each use.
- Whilst equipment is extremely robust, care should be exercised in loading, transporting and handling components to avoid damage or injury to either the equipment or persons.
- Repairs should only be carried out by LEACH'S or their authorised repairers.
- In case of any doubt as to the integrity of any items of the equipment, the part should be withdrawn from use, quarantined and subject to detailed examination to determine whether repair or replacement is required. If returned to the factory, Lakeside Industries Limited will provide a free of charge evaluation of any damaged components.

Safety

Check that all of the necessary components and equipment for the particular tower configuration to be built are on site, undamaged and functioning correctly. Damaged or incorrect components must not be used.

- Check that the surface on which the tower is to be located is capable of supporting the tower and its payload.
- The safe working load of the tower is 2,000kg including its own weight. The maximum safe working load of any individual platform is 282 kg evenly distributed.
- If the tower is to be used in an application outside the scope of EN1004, contact your supplier or the manufacturer, Lakeside Industries Limited, for advice on loadings. Tel: +44 1527 500577 or Email: sales@altoaccess.com.
- Towers **must always** be climbed from the inside using the built in ladders only. If the work carried out from the tower requires frequent carrying of equipment and materials up or down the tower, a stair tower should be used in preference to a ladderspan tower.
- The tower must be levelled when erected using the adjustable jack or castor legs.
- Two or more persons are required for the safe erection and dismantling of a tower.
- It is recommended that the tower be tied in when left unattended.

- Always comply with the Work at Height Regulations 2005 when erecting, dismantling & using the tower.
- When lifting components, always use reliable lifting equipment and fastening methods and always lift from within the footprint of the tower structure to prevent risk of the tower overturning.
- See "*Moving the Tower*" below for safety guidelines affecting the relocation of the tower.
- Beware live electrical installations, cables, moving machinery or other obstructions when erecting, dismantling or using the tower. The tower is a conductive metallic structure.
- The maximum safe lateral force for a freestanding Medium Duty tower is 30kg.
- Do not use boxes, ladders or other items to gain additional height.
- Do not stand on guard rails for any reason.
- If the tower is to be used in connection with hoisting arrangements, this is outside the scope of EN1004 and requires specific advice from the manufacturer to ensure safety.
- Contact LEACH'S for advice on loadings, TEL: +44 (0)1432 346 800 or EMAIL: sales@leachs.com
- Fit guard rails to all Platforms.
- Fit toe boards to all working platforms.
- Intermediate (rest) platforms are installed every 2m.
- The tower is not designed to be sheeted. Sheeting massively increases wind loads on the structure. If sheeting is to be attached, contact LEACH'S for advice on loadings , TEL: +44 (0)1432 346 800 or EMAIL: sales@leachs.com
- The tower is not designed to be lifted or suspended.
- Every erected tower must be inspected at least every seven days and any tower which has been left unattended should be inspected before use to ensure that:
 - 1 no components have been removed or relocated incorrectly;
 - 2 the tower is still vertical; and
 - 3 no environmental or other factors have arisen which will influence safe use of the tower.
- Unattended towers should be tied in to a rigid structure.
- Stabilisers or outriggers and ballast shall always be fitted when specified.
- Where there is insufficient clearance to fit the specified stabilisers, contact your supplier or the manufacturer for specific advice. Where ballast or kentledge is used, it must be of solid material, placed on a platform on the lowest rung of the tower and secured against unauthorised removal.

Wind Speeds

Persons using or responsible for towers must beware of the effect of wind on the structure. Wherever possible, as a precaution, it is advisable to tie the tower in to a rigid structure if it is to be used where it is exposed to potential windy conditions. Users should beware the potential tunnelling effect of open ended or unclad buildings and narrow openings between buildings. We recommend that the use of the tower is discontinued in conditions where the wind speed is above 17mph (force 4).

WIND DESCRIPTION	BEAUFORT SCALE	AVERAGE SPEED	INFORMATION
Medium Breeze	4	13-17 mph	Safe to work on tower.
Strong Breeze	6	25-31 mph	Tie the tower to a solid structure. Do not work on tower.
Gale Force	8	39-46 mph	Towers must be dismantled. Towers must not be assembled.

Erecting & Dismantling the Tower

All towers must be built and dismantled in accordance with the step by step instructions in the following pages corresponding to the particular tower configuration involved and having regard to the working at height regulations and Health & Safety legislation.

Moving the Tower

Before moving the tower, its overall height should be reduced to 4m working platform height or less. No persons, tools, equipment or materials shall be permitted to remain on the tower when it is being moved.

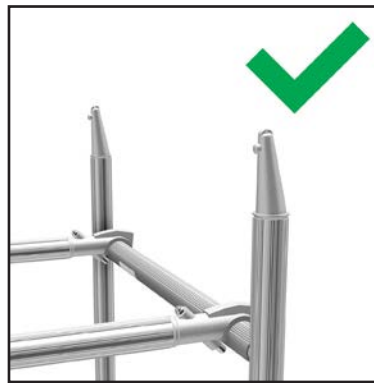
The tower should only be moved by pushing it by the lowest frames.

When moving the tower, users are to be particularly careful of the following:

- Obstructions, moving machinery or electrical cables and equipment
- not to move the tower in wind speeds of 18mph (force 5) or above
- the effect of rough, uneven or sloping ground on the stability of the tower
- locking and unlocking the castors to allow and prevent the tower moving at appropriate times
- after completing the movement, use a spirit level to ensure that the tower is vertical and safely supported on an appropriate surface
- after completing the movement check that the tower is correct and complete.

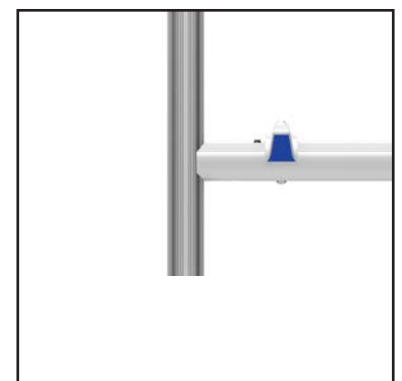
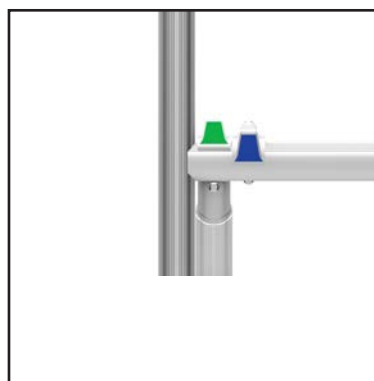
Frames

Frames **must** always be assembled with the offset conical head fitting pointing inwards towards the centre of the tower.

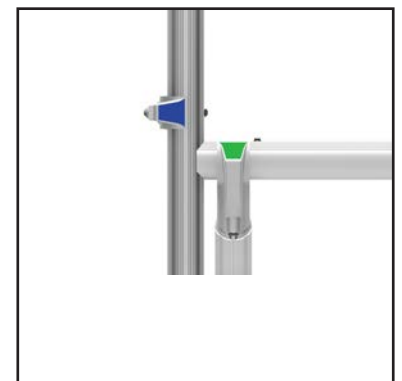
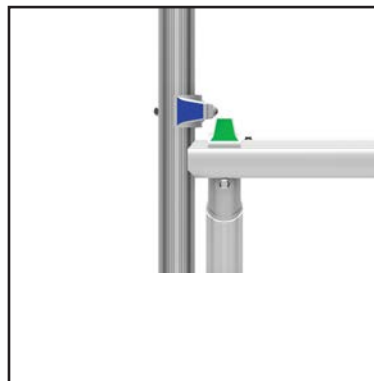


Braces

All braces are fitted with spring loaded pins that automatically lock the brace into position when attached to a tower. Brace hooks **must** be located either over the rung screw heads, between 2 screw heads or between the frame upright and a screw head to prevent lateral movement.

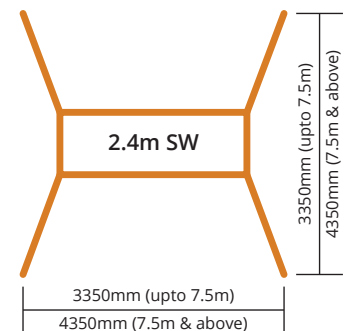
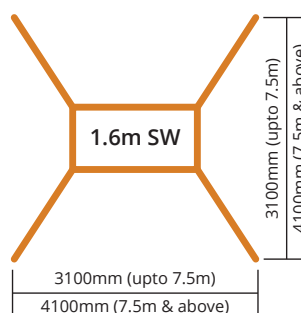


Diagonal braces **must** always be located with the claw opening facing down. Horizontal braces must be located with the claw facing either down (on the rung) or outwards (if on the upright).



Stabilisers

Stabilisers should always be attached to the tower so as to maximise the base area of the tower structure. Set the stabilisers so they form a square around the tower as per the diagram below. The correct size stabilisers **must** always be used - see component schedule for details.

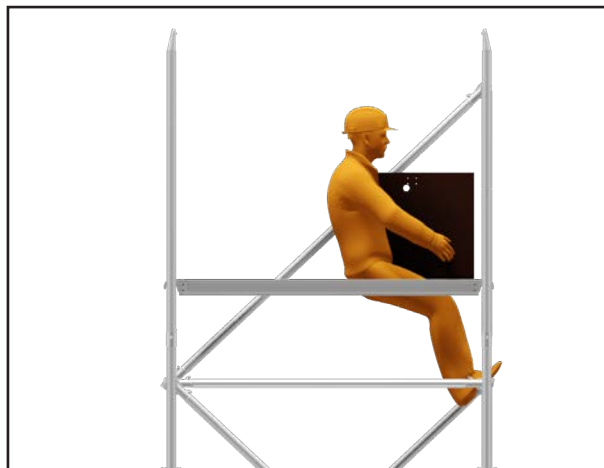


3T Method Explained

The “3T” or “through the trapdoor” method is one of the two permitted ways of assembling a tower without the assembler being at risk of falling. This tower is a 3T tower.

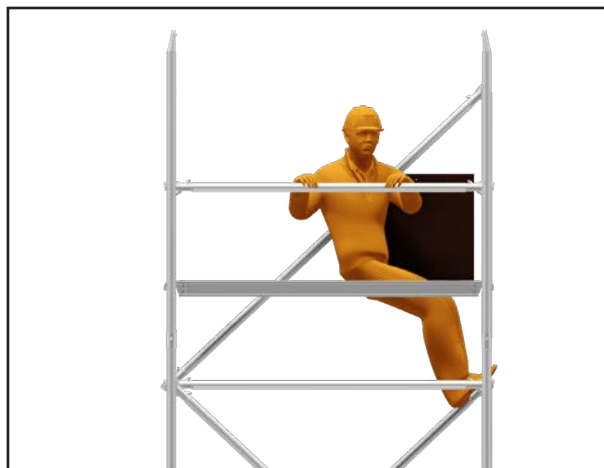
Step 1:

As each new level of platform is installed, the operative takes up a working position in the trap door of the platform, standing on the ladder and leaning back against the edge of the trapdoor aperture.



Step 2:

From this position the operative fits the horizontal braces 500mm and 1000 mm above the platform level (i.e. on the first and second available rungs). If the far end of the guardrail braces don't fully engage when they are put in place, the operative fully engages it when first climbing up onto the platform. This process ensures that operatives never have to stand on an unguarded platform.



Tying In

Towers must be tied into a suitable rigid structure once they go beyond the freestanding working heights specified in EN 1004 2004 - 8m working platform height outdoors and 12m working platform height indoors - or if the tower is unstable or is in danger of being unstable.

Standard scaffold tubes and fittings can be used with the products. Ties should be spaced at no more than 4m intervals. Ties must be rigid and be secured to both frame uprights. For further details regarding tying in, please contact your supplier or the manufacturer: LEACH'S.

COMPONENT SCHEDULE

1.6m Long x 0.8m Wide (Single Width) MD Ladderspan Tower

SINGLE WIDTH MEDIUM DUTY SPAN TOWER TO BS EN 1004:2004

Using the 3T (Through The Trapdoor) assembly method

CODE		PLATFORM WORKING HEIGHT (m)																					
		INTERNAL & EXTERNAL USE										INTERNAL USE ONLY											
		Wt	2.2	2.7	3.2	3.7	4.2	4.7	5.2	5.7	6.2	6.7	7.2	7.7	8.2	8.7	9.2	9.7	10.2	10.7	11.2	11.7	12.2
2239	125mm Dia. Castor Wheel	2.5	4	4	4	4	4	4	4	4	4	4	4	4	4	4	4	4	4	4	4	4	4
3076	MD Adj. Alum Leg (black collar)	1.3	4	4	4	4	4	4	4	4	4	4	4	4	4	4	4	4	4	4	4	4	4
3036	MD 1.6m SW Toeboard	7.3	1	1	1	1	1	1	1	1	1	1	1	1	1	1	1	1	1	1	1	1	1
3008	MD SW 4 Rung Frame	6.5	1	1	2	1	2	3	2	3	3	4	3	4	4	4	5	4	5	5	6	5	6
3012	MD SW 4 Rung Ladder Frame	8.9	1	1	2	1	2	3	2	3	3	4	3	4	4	4	5	4	5	5	6	5	6
3010	MD SW 3 Rung Frame	5.0	1	1	1	1	1	1	1	1	1	1	1	1	1	1	1	1	1	1	1	1	1
3013	MD SW 3 Rung Ladder Frame	6.9	1	1	1	1	1	1	1	1	1	1	1	1	1	1	1	1	1	1	1	1	1
3011	MD SW 2 Rung Frame	3.6	1	1	1	1	1	1	1	1	1	1	1	1	1	1	1	1	1	1	1	1	1
3014	MD SW 2 Rung Ladder Frame	4.8	1	1	1	1	1	1	1	1	1	1	1	1	1	1	1	1	1	1	1	1	1
3015	MD 1.6m Horizontal Brace (blue)	2.0	6	8	10	10	10	10	12	14	14	14	14	16	18	18	20	22	22	24	26	26	26
3016	MD 1.6m Diagonal Brace (green)	2.4	3	3	3	4	4	4	4	4	5	5	5	5	6	6	6	7	7	7	7	8	8
3021	MD 1.6m Trap Platform	12.5	1	2	2	2	2	3	3	3	3	4	4	4	4	4	4	5	5	5	6	6	6
3023	MD Small Stabiliser	4.7	4	4	4	4	4	4	4	4	4	4	4	4	4	4	4	4	4	4	4	4	4
3024	MD Large Stabiliser	5.9																					
TOTAL SELF WEIGHT OF TOWER (kg)		97	117	124	131	135	142	163	170	174	181	201	213	217	224	245	252	256	263	283	290	294	294
MAX No. WORKING LEVELS		1	2	2	2	2	2	3	3	3	3	4	4	4	4	5	5	5	5	5	5	5	5
BUILD METHOD		A	B	C	D	A	B	C	D	A	B	C	D	A	B	C	D	A	B	C	D	A	A

COMPONENT SCHEDULE

2.4m Long x 0.8m Wide (Single Width) MD Ladderspan Tower

SINGLE WIDTH MEDIUM DUTY SPAN TOWER TO BS EN 1004:2004

Using the 3T (Through The Trapdoor) assembly method

CODE		PLATFORM WORKING HEIGHT (m)																					
		INTERNAL & EXTERNAL USE										INTERNAL USE ONLY											
		Wt	2.2	2.7	3.2	3.7	4.2	4.7	5.2	5.7	6.2	6.7	7.2	7.7	8.2	8.7	9.2	9.7	10.2	10.7	11.2	11.7	12.2
2239	125mm Dia. Castor Wheel	2.5	4	4	4	4	4	4	4	4	4	4	4	4	4	4	4	4	4	4	4	4	4
3076	MD Adj. Alum Leg (black collar)	1.3	4	4	4	4	4	4	4	4	4	4	4	4	4	4	4	4	4	4	4	4	4
3037	MD 2.4m SW Toeboard	10.4	1	1	1	1	1	1	1	1	1	1	1	1	1	1	1	1	1	1	1	1	1
3008	MD SAW 4 Rung Frame	6.5	1	1	2	1	2	3	2	3	3	4	3	4	4	4	5	4	5	5	6	5	6
3012	MD SAW 4 Rung Ladder Frame	8.9	1	1	2	1	2	3	2	3	3	4	3	4	4	4	5	4	5	5	6	5	6
3010	MD SAW 3 Rung Frame	5.0		1	1	1	1	1	1	1	1	1	1	1	1	1	1	1	1	1	1	1	1
3013	MD SAW 3 Rung Ladder Frame	6.9		1	1	1	1	1	1	1	1	1	1	1	1	1	1	1	1	1	1	1	1
3011	MD SAW 2 Rung Frame	3.6	1			1	1	1	1	1	1	1	1	1	1	1	1	1	1	1	1	1	1
3014	MD SAW 2 Rung Ladder Frame	4.8	1			1	1	1	1	1	1	1	1	1	1	1	1	1	1	1	1	1	1
3017	MD 2.4m Horizontal Brace (yellow)	2.6	6	8	10	10	10	10	12	12	14	14	14	14	16	18	18	20	22	22	24	26	26
3018	MD 2.4m Diagonal Brace (brown)	3.0	3	3	3	4	4	4	4	4	5	5	5	5	6	6	6	6	7	7	7	8	8
3022	MD 2.4m Trap Platform	18.2	1	2	2	2	2	3	3	3	3	4	4	4	4	4	4	4	5	5	5	6	6
3023	MD Small Stabiliser	4.7	4	4	4	4	4	4	4	4	4	4	4	4	4	4	4	4	4	4	4	4	4
3024	MD Large Stabiliser	5.9																					
TOTAL SELF WEIGHT OF TOWER (kg)		111	137	146	154	158	166	193	201	205	213	240	253	257	265	292	300	304	312	339	347	351	351
MAX No. WORKING LEVELS		1	2	2	2	2	2	3	3	3	3	4	4	4	4	5	5	5	5	5	5	5	5
BUILD METHOD		A	B	C	D	A	B	C	D	A	B	C	D	A	B	C	D	A	B	C	D	A	A

ASSEMBLY INSTRUCTIONS - All Platform Working Heights

Step 1

Insert the leg & castor assembly into the base of the first main frame and ladder frame. When fully inserted, ensure the spring loaded pin is engaged into the hole in the side of the frames. Ensure all 4 wheels have the brakes applied.



Step 2

Connect 2 horizontal braces to the uprights of the first frame in the area below the bottom rung. Make sure that the braces are connected from the inside of the tower facing outwards. Make sure that the frame head fittings are pointing inwards into the tower.



Step 3

Connect the 2nd frame to the horizontal braces in the same position that they are located on the first frames. Make sure that the frame head fittings are pointing inwards into the tower.





Step 4

Connect 2 diagonal braces to the frames as shown. Keep the diagonal braces as close to the frame uprights as possible. Ensure that they run in opposite directions to each other.



Step 5

Install a trap platform on the 2nd rung up and 4 horizontal braces as guard rails. Using a spirit level, ensure that the framework is completely level by adjusting the legs. Twist the serrated collar above the wheel to adjust up & down.



Step 6

Once the framework is in position and level, connect 4 stabilisers to the corners. Fix the shorter arm to the lowest part of the frame, then connect the longer arm to the upper part, ensuring the foot is firmly placed on the ground. Small vertical adjustments can be made to either arm to guarantee a sturdy placement.

Build Method A 2.2m, 4.2m, 6.2m, 8.2m, 10.2m

Step 7.1

Working from the temporary platform, install a 2 rung main frame & a 2 rung ladder frame onto the 4 rung frames. Then, clip onto the top rung a diagonal brace. Diagonal braces always run parallel to the braces below.

Install another 4 guard rails above the 4 already in place for when the platform is relocated.



Step 7.2

Remove the lower 4 guardrails by using the 3T method or uninstalling them from the ground. Relocate the platform to the top rung of the first frames. If a 2.2m tower is being assembled, go straight to Step 10. From this new platform position, install a 4 rung frame and a 4 rung ladder frame. Clip on one standard diagonal brace on the same side of the tower as the one from step 7.1. The start position of the brace should be on the same rung height as the finishing position from the brace below - running in the same parallel direction.

Proceed to Step 9



Build Method B 2.7m, 4.7m, 6.7m, 8.7m, 10.7m



Step 7.1

Working from the temporary platform, install a 3 rung main frame & a 3 rung ladder frame onto the 4 rung frames. Then, clip onto the top rung a diagonal brace. Diagonal braces always run parallel to the braces below.



Step 7.2

Relocate the platform down one rung to the bottom rung of the first frames and add 2 additional guardrails. Working off this, install a 2nd platform 4 rungs above.



Step 7.3

Using the 3T method install 4 guardrails to the upper platform. If a 2.7m tower is being assembled, go straight to step 10. The platform on the bottom rung of the tower and the 4 guardrails can now be removed. Make sure that there are still 2 horizontal braces on the bottom rung and the 4th rung up on the tower.

Proceed to Step 8

Build Method C 3.2m, 5.2m, 7.2m, 9.2m

Step 7.1

Working from the temporary platform, install a 4 rung main frame & a 4 rung ladder frame onto the first set of 4 rung frames. Then, clip 1 diagonal brace on. The start position of the brace should be on the same rung height as the finishing position from the brace below - running in the same parallel direction.



Step 7.2

Install a 2nd platform 4 rungs above the first platform. Using the 3T method install 4 guardrails to the upper platform. If a 3.2m tower is being assembled, go to step 10.

Proceed to Step 8



Build Method D 3.7m, 5.7m, 7.7m, 9.7m



Step 7.1

Working from the temporary platform, install a 2 rung main frame & a 2 rung ladder frame onto the 4 rung frames. Then, clip onto the top rung of one frame a diagonal brace. The other end connects to the rung 3 below on the opposite face.

Install another 4 guard rails above the 4 already in place for when the platform is relocated.

Step 7.2

Remove the lower 4 guardrails by either using the 3T method or uninstalling them from the ground. Then relocate the platform to the top rung of the first frames. Working off this new platform position, install a 3 rung main frame and a 3 rung ladder frame. Then clip 1 more diagonal brace.



Step 7.3

Lower the platform down 1 rung and relocate the guardrails into the correct positions using the 3T method. Install another platform 4 rungs above and install 4 guardrails using the 3T method. If a 3.7m tower is being assembled, go to step 10.

Proceed to Step 8



All Platform Working Heights

Step 8

Working from the top platform, install a 4 rung main frame & a 4 rung ladder frame. Then clip 1 more diagonal brace onto the same side as the previously installed diagonal brace. The start position of the brace should be on the same rung height as the finishing position from the brace below - running in the same parallel direction.



Step 9

Install a trap platform 4 rungs above the previous platform. Using the 3T method install 4 guardrails to the upper platform.

Now, repeat steps 8 and 9 until the required platform working height is achieved. Once the final step 9 is complete, move to step 10.



Step 10

Finally, working from the guard railed platform, install a toeboard, ensuring that the sides are hooked securely over the outside edge of both platforms.



DISMANTLING INSTRUCTIONS - All Platform Working Heights



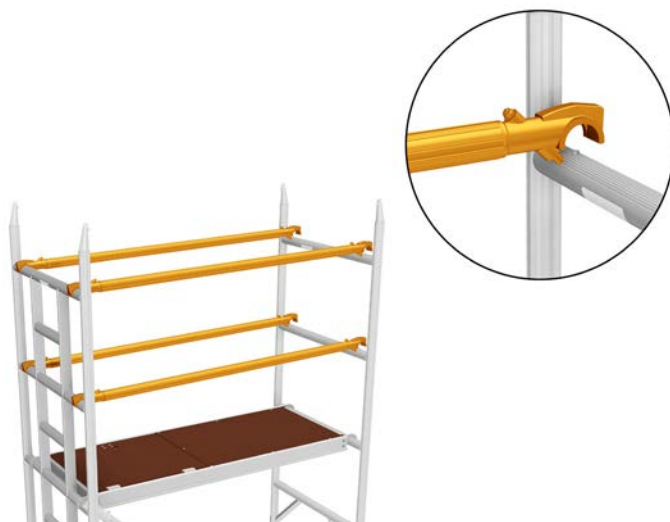
Step 1

The dismantling procedure requires a minimum of 2 operatives to complete the task safely. To start, first remove the aluminium toeboard assembly.



Step 2

Now, relocate the uppermost diagonal brace downwards so the top hook is located on the same rung as the uppermost platform. This can be done by either using one operative on the top platform and one operative on the platform underneath, or by disengaging the top hook then climbing down onto the platform below and disengage the 2nd hook.



Step 3

Next, remove the 4 guardrails. To remove braces or guardrails, first disconnect each brace at the end furthest away from the platform trap door. Then immediately take up the protected position detailed in the 3T method. Whilst standing through the trapdoor as per the 3T method, disconnect the braces completely.

DISMANTLING INSTRUCTIONS - All Platform Working Heights

Step 4

Now, working from the platform below, the upper platform can be removed. Once this is fully removed, the recently relocated diagonal brace(s) can now be taken off. This can be done by one operative from the platform.



Step 5

Now remove the final 2 frames off the top of the tower.

Now repeat steps 2 to 5 until the tower is dismantled or the new platform height is achieved.



Components



2239 - 125mm castor wheel
3076 - MD Adj. Leg



3008 - MD S/W 4 Rung Frame



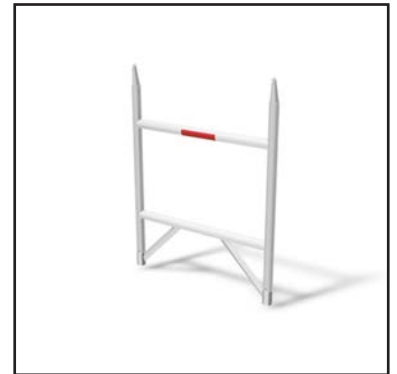
3012 - MD S/W 4 Rung Ladder Frame



3010 - MD S/W 3 Rung Frame



3013 - MD S/W 3 Rung Ladder Frame



3011 - MD S/W 2 Rung Frame



3014 - MD S/W 2 Rung Ladder Frame



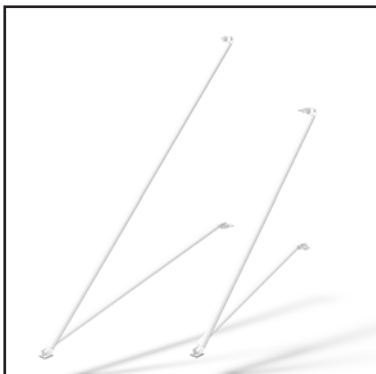
3015 - 1.6m Horiz. Brace (blue)



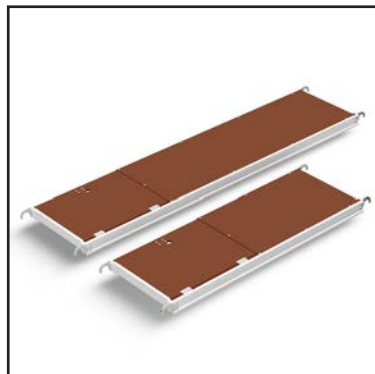
3016 - 1.6m Diag. Brace (green)

3017 - 2.4m Horiz. Brace (yellow)

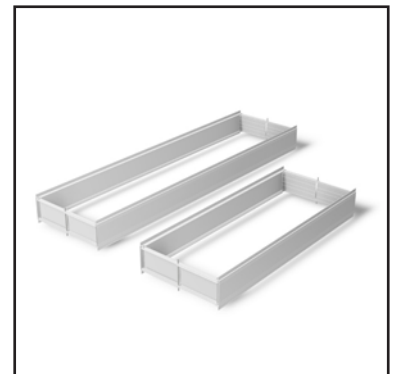
3018 - 2.4m Diag. Brace (brown)



3023 - MD Small Stabiliser
3024 - MD Large Stabiliser



3021 - 1.6m Trap Platform
3022 - 2.4m Trap Platform



3036 - 1.6m S/W Toeboard
3037 - 2.4m S/W Toeboard

THE HEIGHT OF SAFETY

For further information regarding our range of access products and services, please get in touch with us:

LEACH'S
Beacon Park,
228 Holme Lacy Road,
Hereford
HR2 6BQ
t: +44 (0)1432 346 800
e: sales@leachs.com
w: www.leachs.com



Manufacturing Member