



The revolutionary patented innovation in scaffolding



Klawz Features & Benefits

- Tested to EN74-1:2005 Class B.
- Patented product (Pat-no.uk/Klawz).
- Environmental benefits, Transportation/Logistics, Less material & Storage.
- Time & Labour saving.



WE MAKE
SCAFFOLDING
SAFE



Pre-fabricated structural transoms

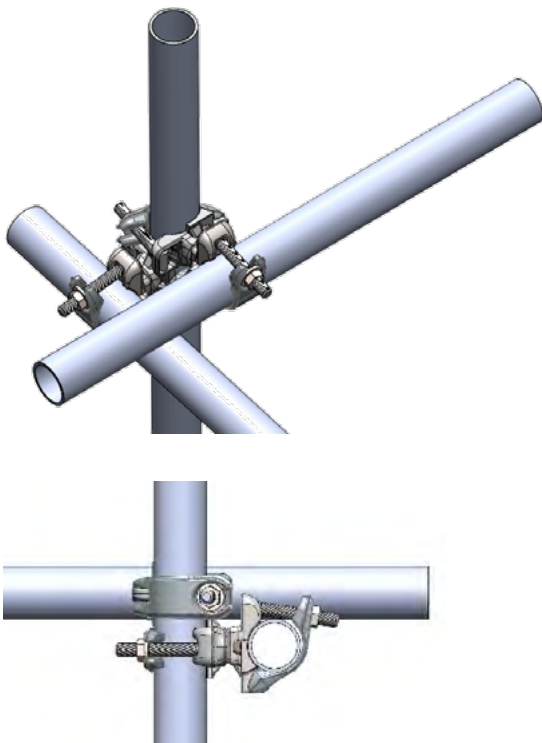
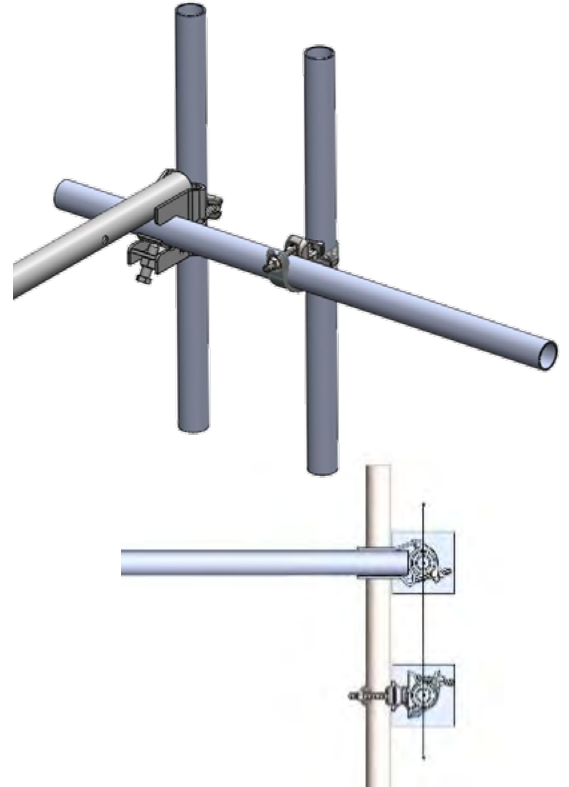
Features and Benefits

Puncheons (Deadman): Klawz fittings align standards with pre-fabricated structural transom spacing, directly from the ledger.

Beams suspended from pre-fabricated structural transoms can be secured to a standard with a single fitting, while maintaining perfect alignment.

Additional standards to distribute leg loads, adding loading bays or stair towers etc., can be achieved with a single fitting at any point in the build.

Simplifies pre-fabricated structural transom scaffold by replacing the pre-fabricated structural transom.



Tube and Fittings

Features and Benefits

Klawz is the first EN74-1 Class B fitting allowing the design of Double on Double scaffolding, also known as Tube on Tube.

Klawz Spacing design results in the ledger and transom seating tube on tube allowing scaffold to be boarded out on a single level.

The Klawz fitting eliminates the requirements for separate Aberdeen (Structural Underslung) transoms.

Transoms attached with Klawz fittings are suitable for tying a scaffold to a structure.